



1. Be sure and use caulking that is provided on all seams and corners throughout the assembly.
2. Bottom panel flanges should always be on the “outside” of the transition assembly. Refer to bottom panel flange detail in [Figure 1](#) for proper flange direction and assembly of individual flange type. Bolt bottom panel (3) to all entrance collar braces (4) and side entrance collar (6) pieces. Be sure and use 5/16" x 1" bolts (A) and nuts (C).
3. Install and bolt top entrance collar (8) to entrance collar braces (4) and side pieces. Bolt transition sides to bottom panel (3). After sides are complete, bolt top panel (1) into position. Be sure and use 5/16" x 1" bolts (A) and nuts (C) on all pieces.
4. Field cut hole in bin sidewall 57-1/4" x 11-3/4" to allow transition to fit properly.
5. Install entrance collar mounting brackets (5) to transition on inside of bin. Be sure and use 5/16" x 1" bolts (A) and nuts (C).
6. Using 5/16" x 1-1/4" bolts (B) and nuts (C), install entrance collar mounting brackets (5) to bin sidewall. Installer must seal between bin sidewall and entrance collar mounting brackets (5). No sealer is provided.
7. After putting transition on bin, locate sizing angle (2) to curvature of bin, screw to top entrance collar (8) and to bin sidewall. Use #10 x 1" screws (D).

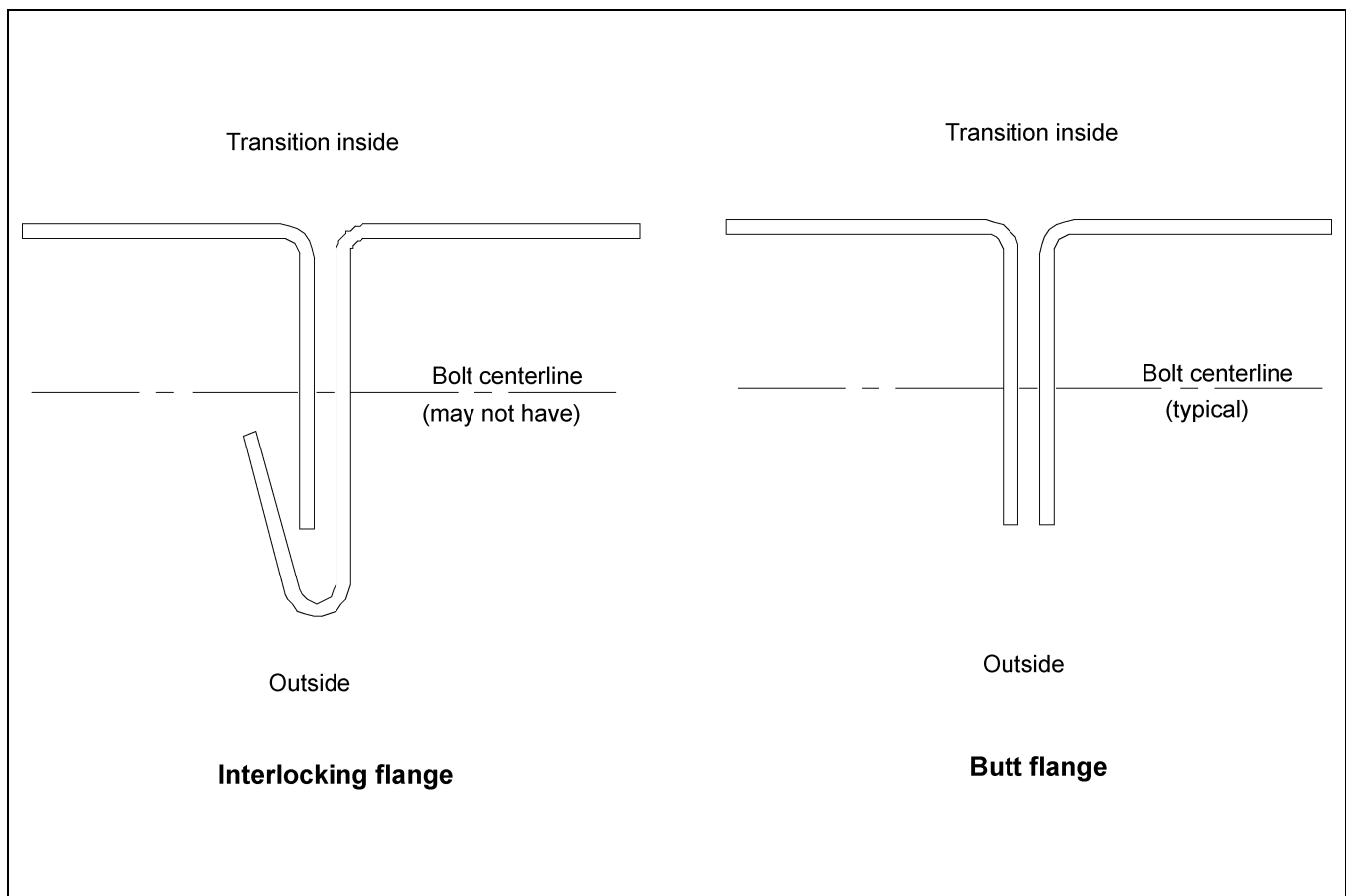
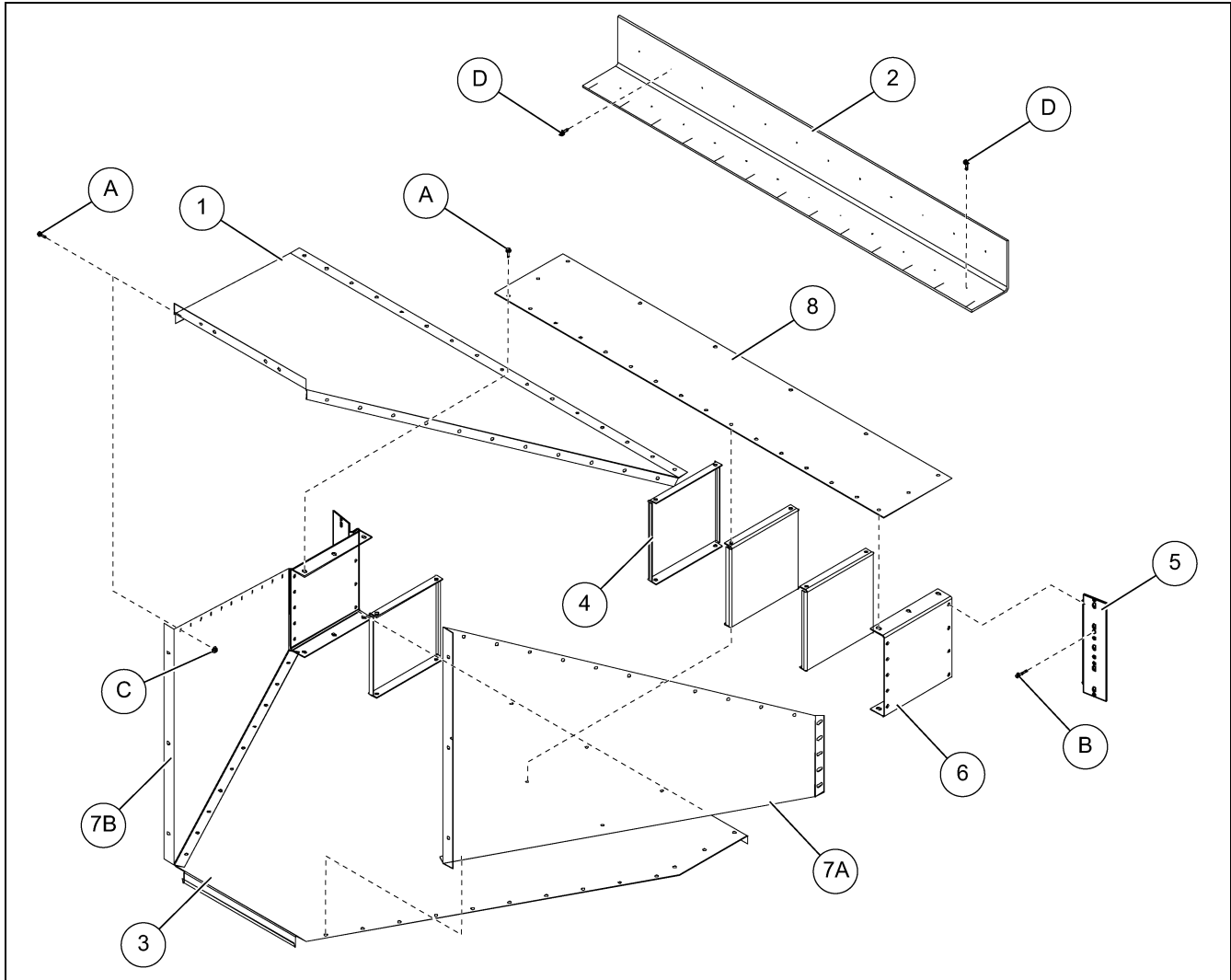


Figure 1 Bottom Panel Flange Detail



TR-7049 Parts List



Ref #	Part #	Description	Qty
1	TR-7026	Top Panel	1
2	TR-6194	Sizing Angle	1
3	TR-7022	Bottom Panel	1
4	TR-6312	Entrance Collar Brace	4
5	TR-6476	Entrance Collar Mounting Bracket	2
6	TR-6196	Side Entrance Collar	2
7A	TR-7024	R.H. Side Panel	1
7B	TR-7025	L.H. Side Panel	1
8	TR-7023	Top Entrance Collar	1
N/S	S-4458	Sealant, Caulking 1/8" x 1/4" x 24'	2
	PL-8079	Hardware Package	1
A	S-10260	Flange Bolt 5/16"-18 x 1" JS500 Grade 8 or Grade 8.2 with Sealing Washer	130
B	S-7483	Flange Bolt 5/16"-18 x 1-1/4" JS500 Grade 8 or Grade 8.2 Full Threaded with Sealing Washer	10
C	S-396	Hex Nut 5/16"-18 YDP Grade 2	140
D	S-7621	Screw, SDS #10-16 x 1" HWH ZN Grade 2	36