



1. Be sure and use caulking that is provided on all seams and corners throughout the assembly.
2. Bottom panel flanges should always be on the “outside” of the transition assembly. Refer to bottom panel flange detail in *Figure 1* for proper flange direction and assembly of individual flange type. Bolt bottom panel (3) to all entrance collar braces (4) and side entrance collar (6) pieces. Be sure and use 5/16" x 1" bolts (A) and nuts (C).
3. Install and bolt top entrance collar to entrance collar braces (4) and side pieces. Bolt transition sides to bottom panel (3). After sides are complete, bolt top panel (1) into position. Be sure and use 5/16" x 1" bolts (A) and nuts (C) on all pieces.
4. Field cut hole in bin sidewall 44-3/4" x 11-3/4" to allow transition to fit properly.
5. Install entrance collar mounting brackets (5) to transition on the inside of the bin. Be sure and use 5/16" x 1" bolts (A) and nuts (C).
6. Using 5/16" x 1-1/4" bolts (B) and nuts (C), install entrance collar mounting brackets (5) to bin sidewall. Installer must seal between bin sidewall and entrance collar mounting brackets (5). No sealer is provided.
7. After putting transition on bin, locate sizing angle (2) to curvature of the bin, screw to top entrance collar (8) and to bin sidewall. Use #10 x 1" screws (D).

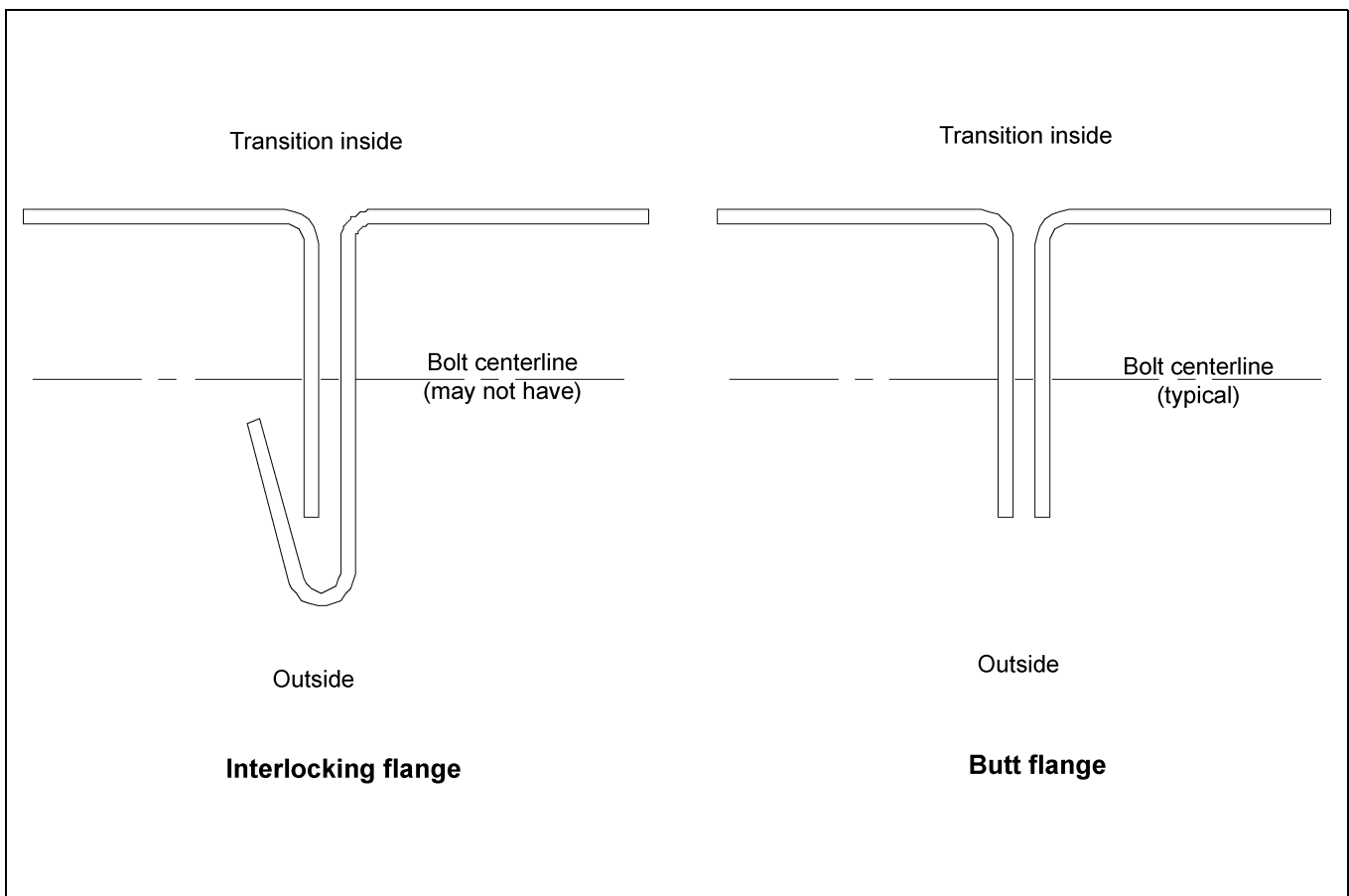
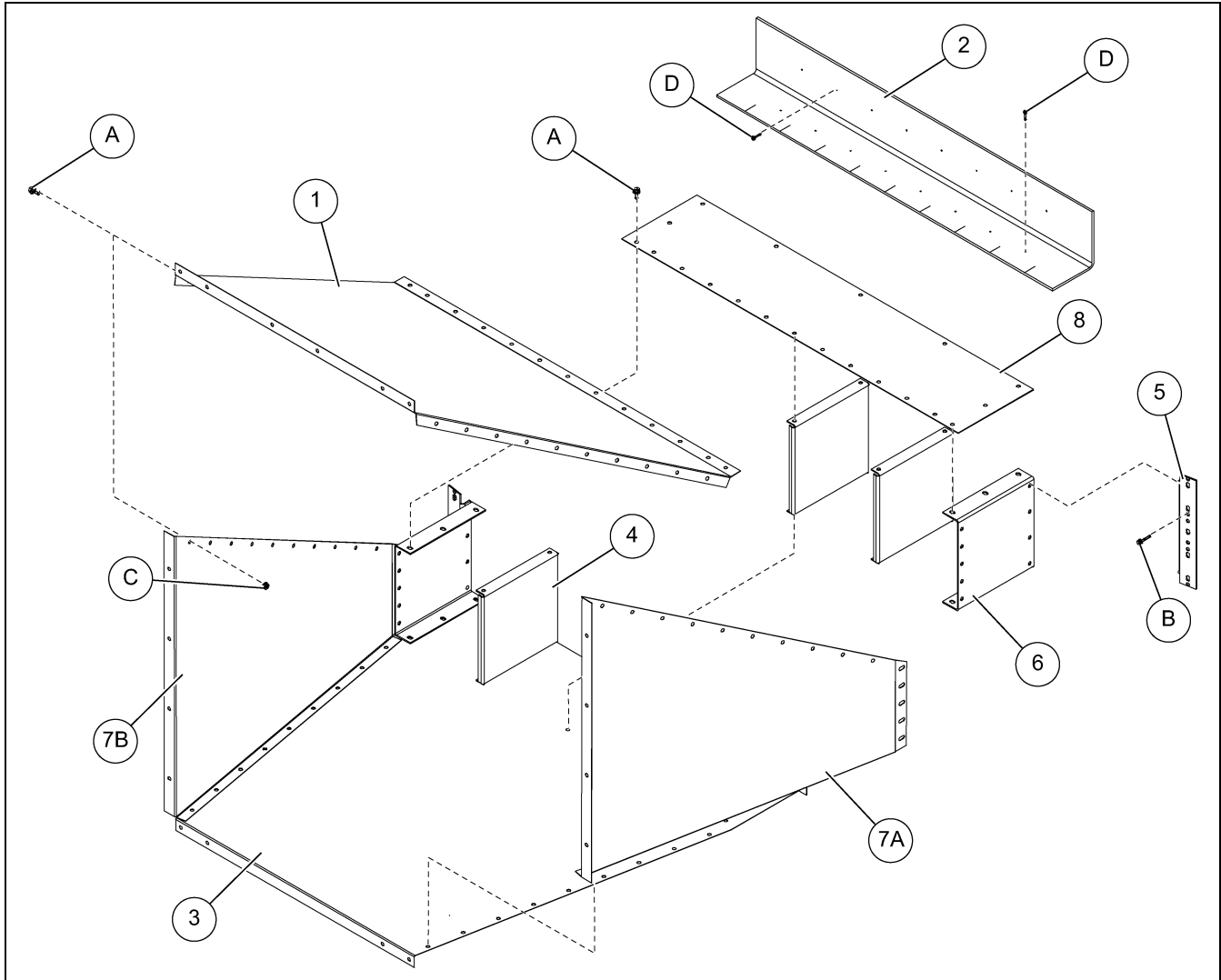


Figure 1 Bottom Panel Flange Detail



TR-7048 Parts List



Ref #	Part #	Description	Qty
1	TR-7028	Top Panel	1
2	TR-6194	Sizing Angle	1
3	TR-7027	Bottom Panel	1
4	TR-6312	Entrance Collar Brace	3
5	TR-6476	Entrance Collar Mounting Bracket	2
6	TR-6196	Side Entrance Collar	2
7A	TR-7029	R.H. Side Panel	1
7B	TR-7030	L.H. Side Panel	1
8	TR-7031	Top Entrance Collar	1
N/S	S-4458	Sealant, Caulking 1/8" x 1/4" x 24'	2
	PL-8079	Hardware Package	1
A	S-10260	Flange Bolt 5/16"-18 x 1" JS500 Grade 8 or Grade 8.2 with Sealing Washer	130
B	S-7483	Flange Bolt 5/16"-18 x 1-1/4" JS500 Grade 8 or Grade 8.2 Full Threaded with Sealing Washer	10
C	S-396	Hex Nut 5/16"-18 YDP Grade 2	140
D	S-7621	Screw, SDS #10-16 x 1" HWH ZN Grade 2	36

Adapter Assembly (C-9280)

1. Assemble the top plate (3) and bottom plate (4) to the two side plates (5) using eight 5/16" x 3/4" flange bolts (1) and 5/16" flange nuts (2). (See Figure 2.)

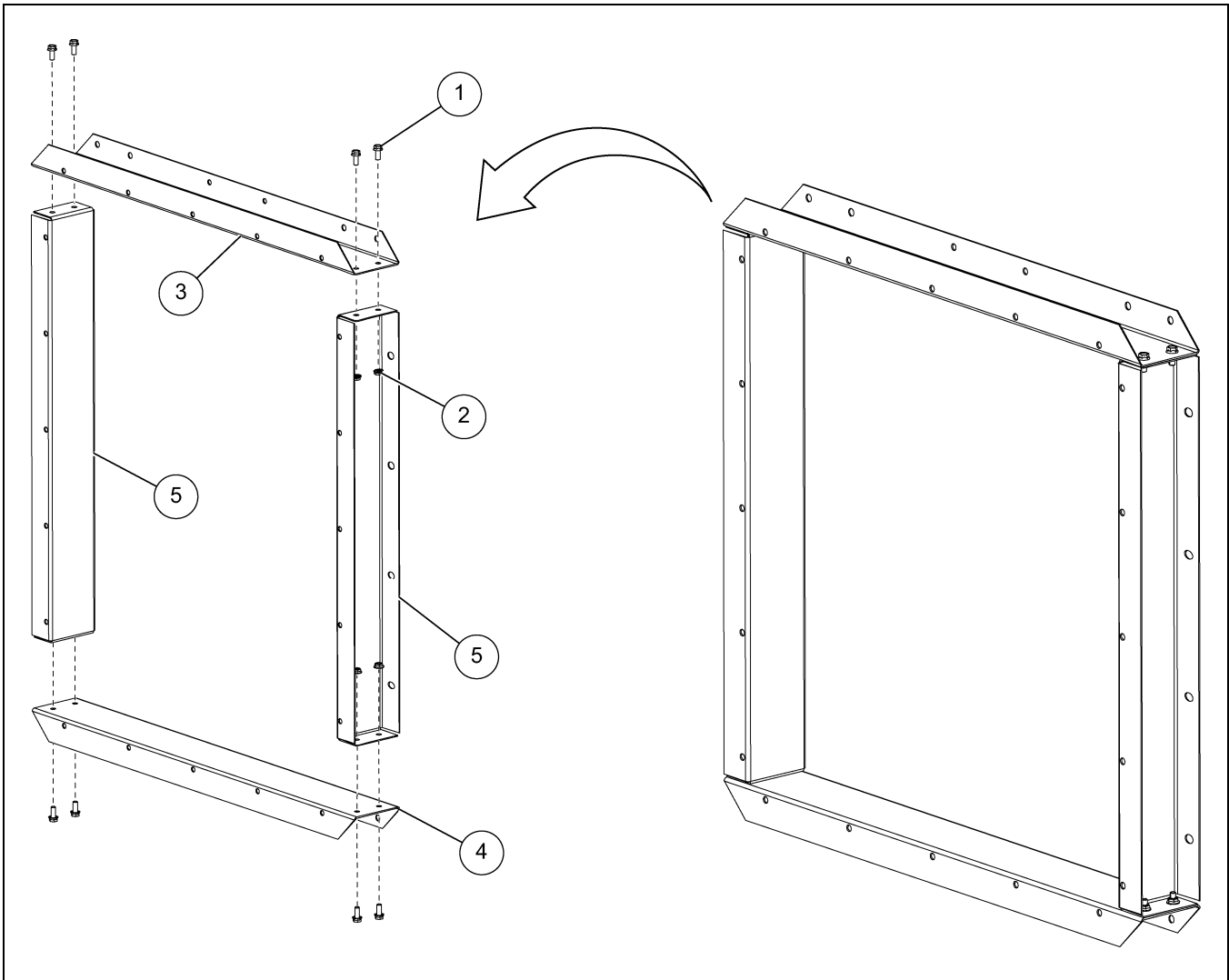


Figure 2 Adapter Assembly (C-9280)

Ref #	Part #	Description
1	S-6606	5/16" x 3/4" Flange Bolt
2	S-10268	5/16" Flange Nut
3	C-9276	Adapter Top Plate
4	C-9276	Adapter Bottom Plate
5	C-9277	Adapter Side Plate

Installing the Adapter and Shutter Assembly to the Transition Assembly

1. Align the flanges of the adapter assembly (6) with the flanges of the transition assembly (7) and install using 5/16" x 3/4" flange bolts (1) and 5/16" flange nuts (2).
2. Align the flanges of the shutter assembly (8) with the flanges of the adapter assembly (6) and install using 5/16" x 3/4" flange bolts (1) and 5/16" flange nuts (2). *(See Figure 3.)*

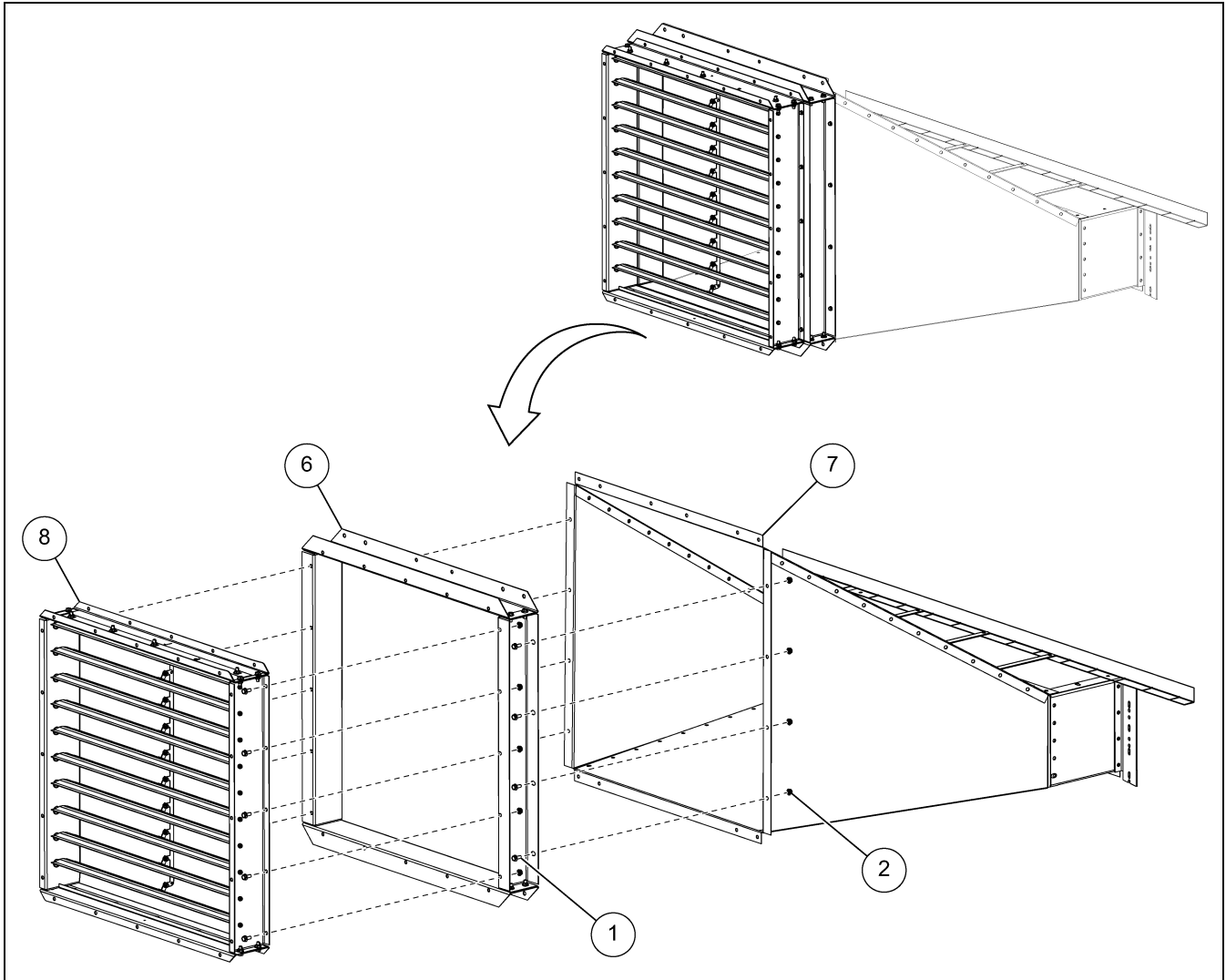


Figure 3 Assembling the Adapter and Shutter Assembly to the Transition Assembly

Ref #	Part #	Description
1	S-6606	5/16" x 3/4" Flange Bolt
2	S-10268	5/16" Flange Nut
6	C-9280	Adapter Assembly
7	TR-7048	Transition Assembly
8	F-6970-B	Shutter Assembly