



TR-6944 Inventory Parts		
Part #	Description	Qty
PNEG-818	30-40 HP Aeration Transition and Duct	1
TR-6931	Hardware Package 30-40 HP	1
CH-6873	Silicone, Cartridge Clear RTV Dow #73	1

TR-7082 Transition Assembly		
Part #	Description	Qty
TR-6931	L.H. Top Panel 30-40 HP Transition	1
TR-6932	R.H. Top Panel 30-40 HP Transition	1
TR-6933	Side Panel 30-40 HP Transition	2
TR-6934	Bottom Panel 30-40 HP Transition	1
TR-6943	Faceplate FF-AER/30-40 HP	1

TR-7083 Duct Assembly		
Part #	Description	Qty
TR-4016	14 Gauge Corrugated Supports	5
TR-6938	Splice Angle	2
TR-6939	Side Entrance Collar Channel	2
TR-6940	Top and Bottom Entrance Collar Plate	2

**NOTE:** Seal all joints to ensure no air leaks or water accumulation.

## Installation Instructions

1. Assemble duct (TR-7083) by standing one side panel and the top panel on end in an “L” shape. Line up holes and screw together. Stand other side panel on end, line up holes with the edge of bottom panel and fasten as before. Next, line up top assembly and bottom assembly and fasten together.
2. Assemble transition (TR-7082) in similar manner as duct, but do not attach top panel.
3. Field cut hole in faceplate to dimensions of the inside of the fan discharge. Drill holes to match bolting pattern of fan discharge.
4. Fasten transition to duct, slipping transition discharge over splices and screwing first the sides and then the bottom.
5. Insert faceplate and screw into the bottom and sides.
6. Place fan in position to be bolted to faceplate. Be sure fan and transition are level and fit flush. If not, shim until fan discharge is flush with faceplate. When flush fit is assured, bolt fan to faceplate with bin bolts.
7. Place transition top panel in place and secure to sides and faceplate. Fasten to duct.
8. When completed, the fan, transition and duct should be one unit.



# 30-40 HP Aeration Transition and Duct

## Stemwall Transition Entrance

1. Blockout detail for when not available at foundation pouring.
2. "W" Dimension to be determined by the desired extension of duct beyond foundation. "D" is determined by the type of aeration flooring and supports.
3. "X" is determined by the inner dimension of aeration tunnel.
4. Duct should be anchored and sealed securely to prevent air escape and water entry. (Material not supplied.)

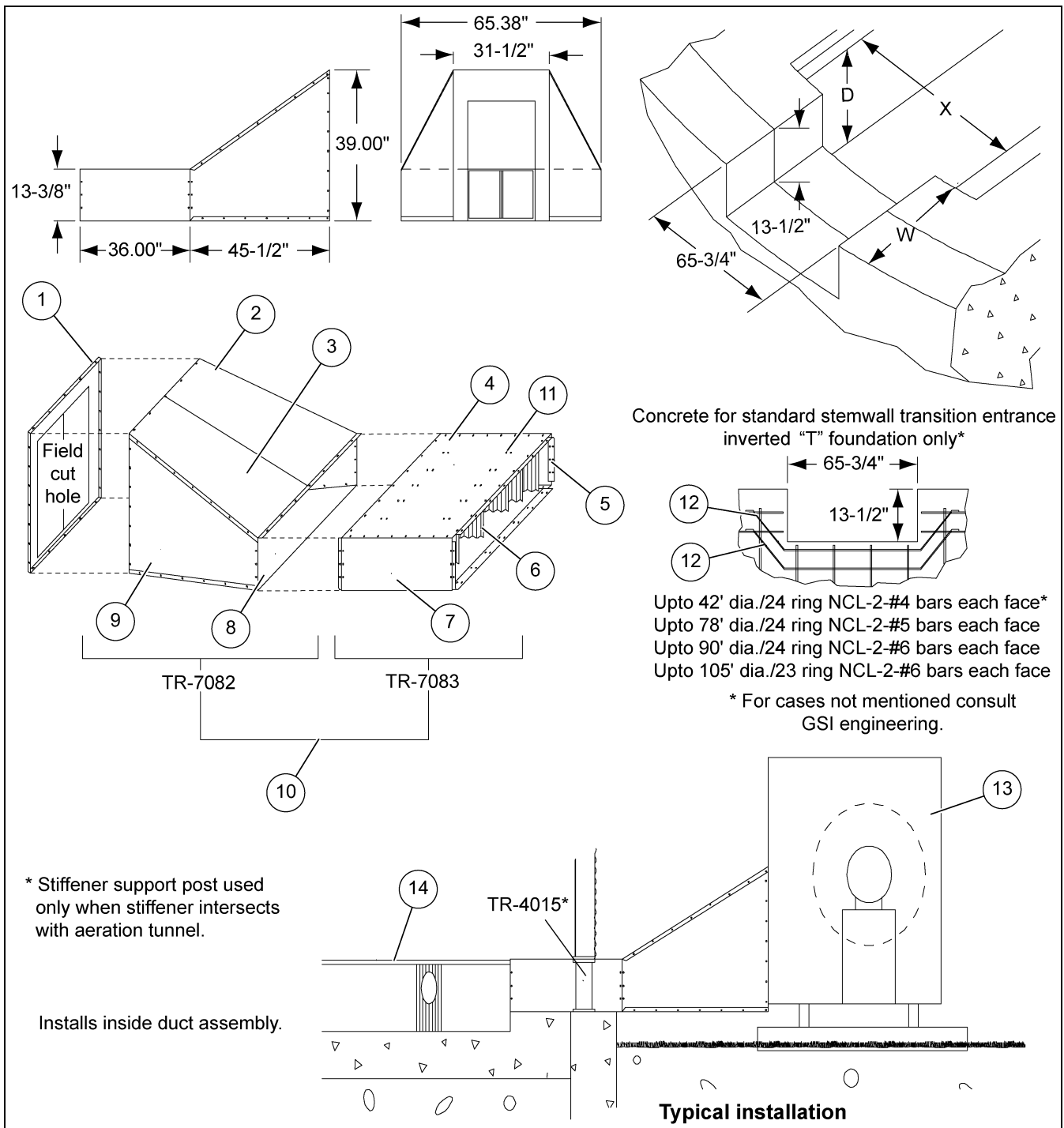


Figure 1

## 30-40 HP Aeration Transition and Duct

Ref #	Part #	Description	Qty
1	TR-6941	Transition Face Plate	1
2	TR-6931	LH Transition Top	1
3	TR-6932	RHTransition Top	1
4	TR-6940	Duct Top and Bottom	2
5	TR-6938	Splice Angle	2
6	TR-4016	Corrugated Supports	5
7	TR-6939	Duct Side	2
8	TR-6934	Transition Bottom	1
9	TR-6933	Transition Side	2
10	TR-6944	Transition and Duct Assembly	
11		Screws on Each Side of Support Prohibit Lateral Movement of Support	
12		Two Additional Bars Each Face	
13		Centrifugal Fan	
14		Perforated Flooring	

Post Support Installation (TR-7140)

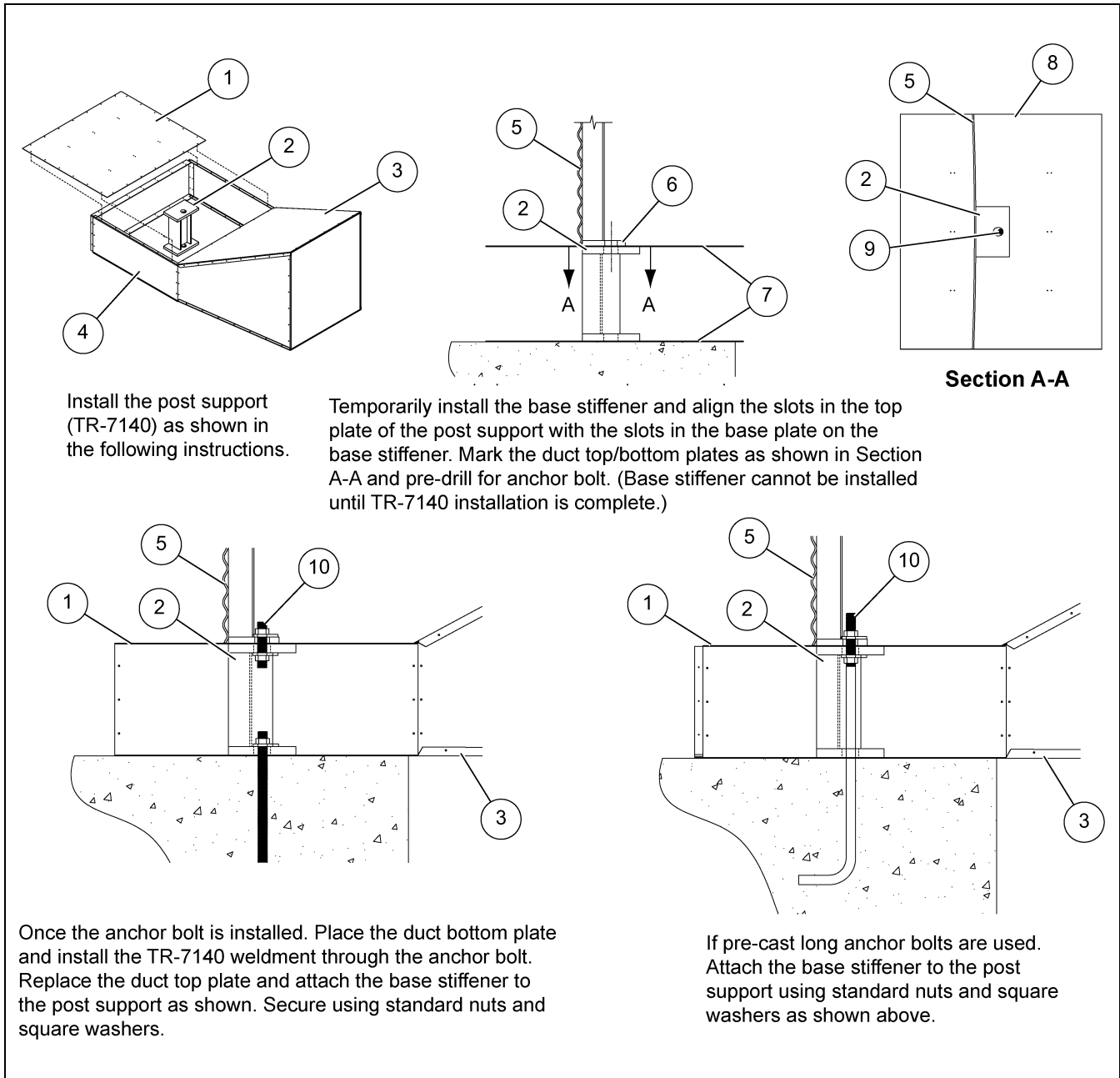


Figure 2

Ref #	Description
1	Duct Top Plate
2	Post Support Top Plate (TR-7140)
3	Transition Assembly
4	Duct Assembly
5	Sidewall

Ref #	Description
6	Base Stiffener Base Plate
7	Duct Top/Bottom Plate (Other duct components not shown for clarity.)
8	Duct Top/Bottom Plate
9	Mark Outer Edge of Slot
10	1" Hardware (Not supplied by GSI.)