



Bin Preparation

1. Field cut a hole in the bottom ring of your bin to 101" x 11-1/2". The base angle ring must also be removed from this area.
2. Mastic sealer is to be used on all bolt together seams. Use 5/16" x 1-1/4" (S-7483) bolts to bolt entrance collar mounting bracket (8) to bin. For all other bolt up use 5/16" x 3/4" bolts.

Entrance Collar Assembly

1. Bolt together all right hand and left hand parts, i.e. entrance collar top, right hand (2) to left hand (3).
2. Bolt the entrance collar braces (9) and the entrance collar sides (6 and 7) to the entrance collar bottom (4 and 5) as shown [on Page 2](#).
3. Put in place the entrance collar top (2 and 3) as shown [on Page 2](#). **NOTE:** *Do not bolt up holes on the fan side of the collar until the transition top panel is installed.*
4. Bolt the entrance collar mounting bracket (8) to the entrance collar side (6 and 7). Slide the entrance collar assembly into the cut-out in the bin. Field drill eight holes in the bin for the entrance collar mounting bracket. Bolt up the entrance collar mounting bracket to the bin. If there is a gap between the entrance collar top and the cut-out in the bin, place shims above each brace (9).
5. Field drill holes in the sizing angles (1) and the entrance collar top (2 and 3) and use self-tapping screws (S-7621).

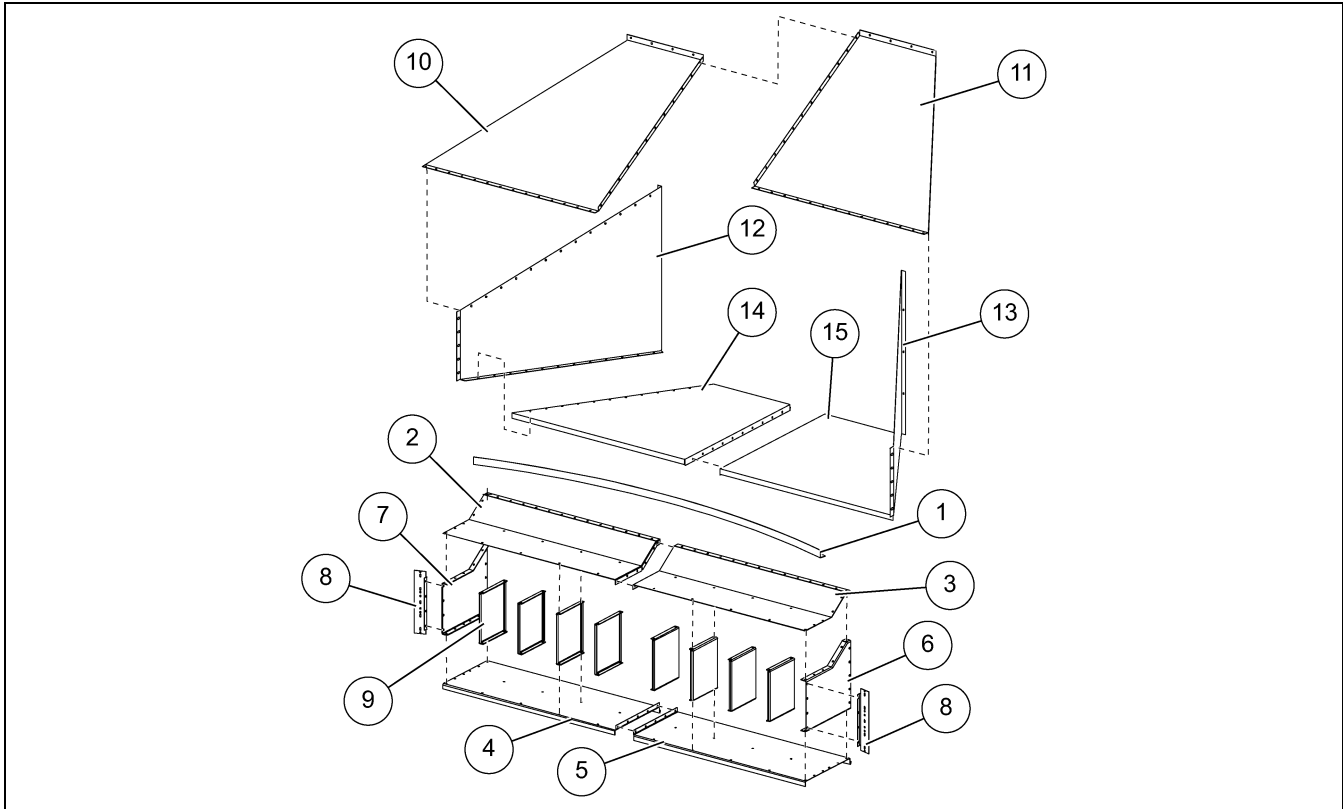
Final Assembly

1. Place the flange of the bottom panels (14 and 15) into the groove of the entrance collar bottom (4 and 5).
2. Bolt transition side panels (12 and 13) to bottom panels (14 and 15) and to entrance collar sides (6) as shown [on Page 2](#).
3. Bolt transition top panels (10 and 11) to the transition side panels (12 and 13) and to the entrance collar top (2 and 3) as shown [on Page 2](#).



Large Double Inlet Transition for 12" Floor (TR-7076)

Transition for Double Inlet Centrifugal Fans



Ref #	Part #	Description	Qty
1	TR-6194	Sizing Angle	2
2	TR-7073	Entrance Collar Top, Left Hand	1
3	TR-7074	Entrance Collar Top, Right Hand	1
4	TR-7070	Entrance Collar Bottom, Left Hand	1
5	TR-7069	Entrance Collar Bottom, Right Hand	1
6	TR-7072	Entrance Collar Right Hand Panel	1
7	TR-7071	Entrance Collar Left Hand Panel	1
8	TR-6476	Entrance Collar Mounting Bracket	2
9	TR-6312	Entrance Collar Brace	8
10	TR-7001	Transition Top Panel, Right Hand	1
11	TR-7002	Transition Top Panel, Left Hand	1
12	TR-6999	Transition Side Panel, Right Hand	1
13	TR-7000	Transition Side Panel, Left Hand	1
14	TR-6997	Transition Bottom Panel, Right Hand	1
15	TR-6998	Transition Bottom Panel, Left Hand	1
N/S	S-4485	Mastic Sealer	4
	PL-8170	Hardware Package	1
N/S	S-10260	Flange Bolt 5/16"-18 x 1" JS500 Grade 8 or Grade 8.2 with Sealing Washer	198
N/S	S-396	Hex Nut 5/16"-18 YDP Grade 2	208
N/S	S-7621	Screw, SDS #10-16 x 1" HWH ZN Grade 2	46
N/S	S-7483	Flange Bolt 5/16"-18 x 1-1/4" JS500 Grade 8	10
N/S	S-7487	Flange Bolt 3/8"-16 x 1" JS500 Grade 8 or Grade 8.2	15
N/S	S-456	Hex Nut 3/8"-16 YDP Grade 5	15