



This kit is designed to allow the shutter assembly to be opened and closed manually. The intent of this installation is to prevent the shutter blades from fluttering when used with a heater unit in high static pressure/low airflow situations. It does not matter which side, left or right, the handle is mounted. This is dependent on how the fan/heater unit is mounted to the storage tank.

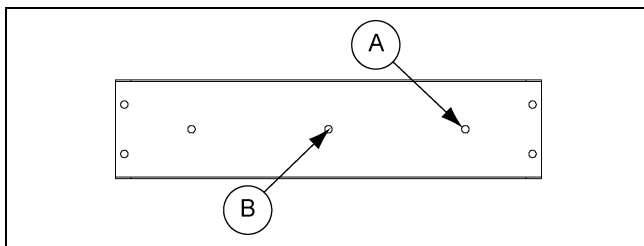
### Installation

1. Locate the mounting hole (A) for the handle bracket on the shutter frame top.  
**Centrifugal Shutters:** Remove the rivet used to plug the hole (B). (See Figure 1.)  
**Vane Axial Shutters:** Remove the bolt holding the catch angle. (See Figure 2.)

Locate the hole (B) in the center of the shutter frame top.

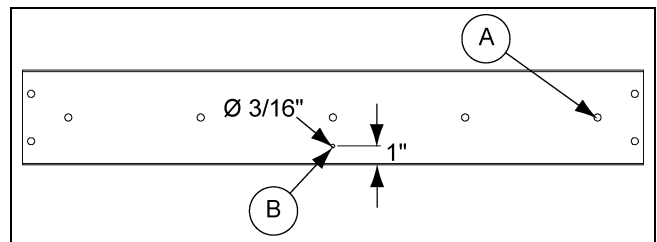
- Centrifugal Shutters:** Remove the rivet used to plug the hole (B). (See Figure 1.)  
**Vane Axial Shutters:** Drill a 3/16" hole (B) approximately 1.00" from the edge of the frame. (See Figure 2.)

**NOTE:** This hole should be on the same side as the linkage bar (away from the fan).



**Figure 1** Centrifugal Shutter Top

Ref #	Description
A	Bracket Mounting Hole
B	Hole for Cable

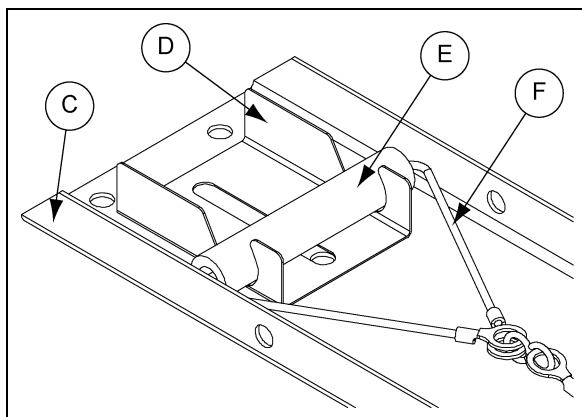


**Figure 2** Vane Axial Shutter Top

Ref #	Description
A	Bracket Mounting Hole
B	Hole for Cable (must be drilled)

2. Attach the bracket (D) to the shutter frame (C) using the 5/16" slotted bolt (S-6620) and the 5/16" flange nut (S-10268). Align the bracket (D) so the slots on the sides are angled up and away from the center of the shutter (See Figure 3) and center the bracket on the hole.

**Do not tighten the nut and bolt at this time.**



**Figure 3** Bracket Orientation

Ref #	Description
C	Shutter Frame
D	Bracket (F-7204)
E	Handle (F-7207)
F	Cable with S-Hook



## Shutter Manual Override Kit

- Place handle assembly (E) into the slots of the bracket (D). Cable and S-Hook (F) should be toward the center of the shutter. (See Figure 3 on Page 1.)
- Drill a 3/16" hole at the end of the linkage bar as shown in Figure 4.

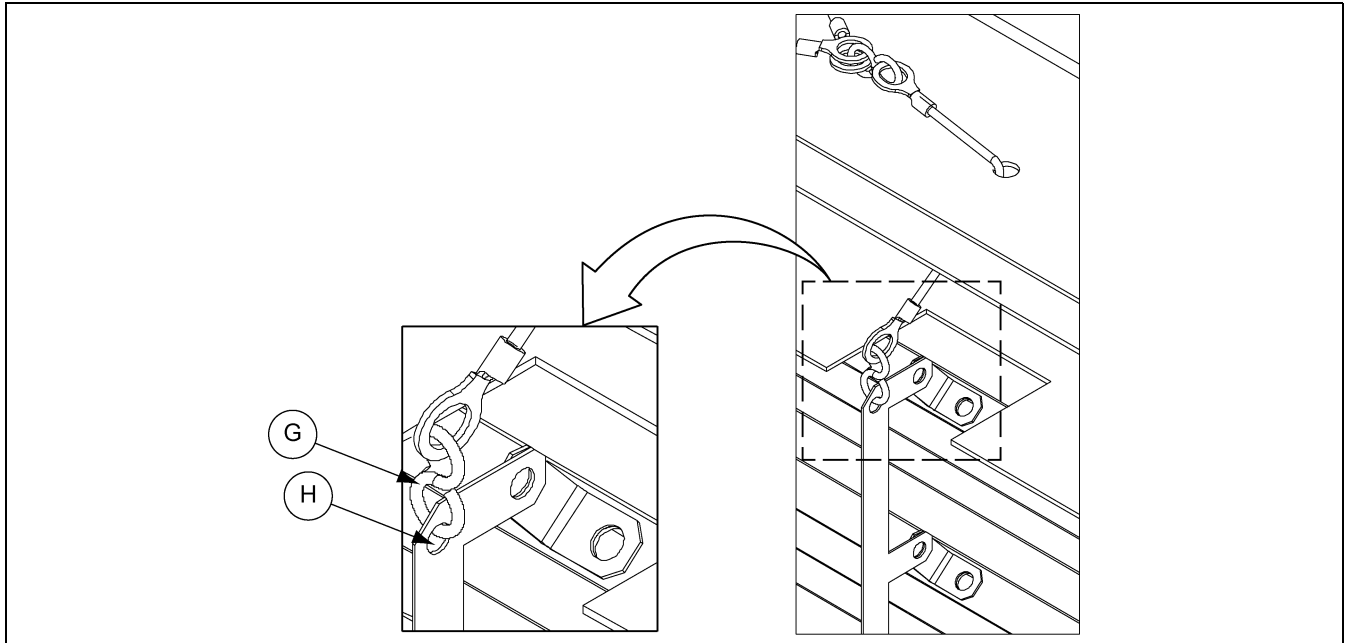


Figure 4 Cable Assembly

Ref #	Description
G	S-Hook
H	Drill 3/16" diameter 1/4" from edge

- Attach the cable assembly (F-7208) to the linkage bar of the shutter using the S-hook (G) provided. (See Figure 4.)
- Feed the cable through the hole at the center of the frame that was located in Step 3.
- Slide the large eyelet terminal (HH-1805) onto the end of the cable. **DO NOT CRIMP.**
- Prop the shutter vanes to the fully open position. Hook the eyelet over the S-hook of the handle assembly. Slide the cable through the eyelet until all slack is removed. Mark and trim the cable to this point. Crimp the eyelet to the end of the new cable length.
- Crimp S-hook on the handle assembly to the eyelet of the cable assembly. Open and close shutters a few times using the handle to check operation. Adjust the bracket so the shutter is fully open when the handle is placed in the bracket.

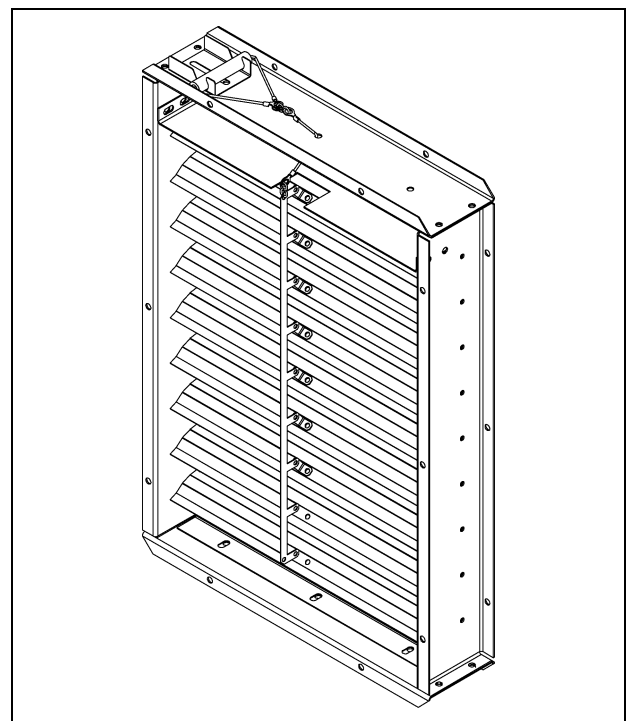


Figure 5 Completed Assembled View