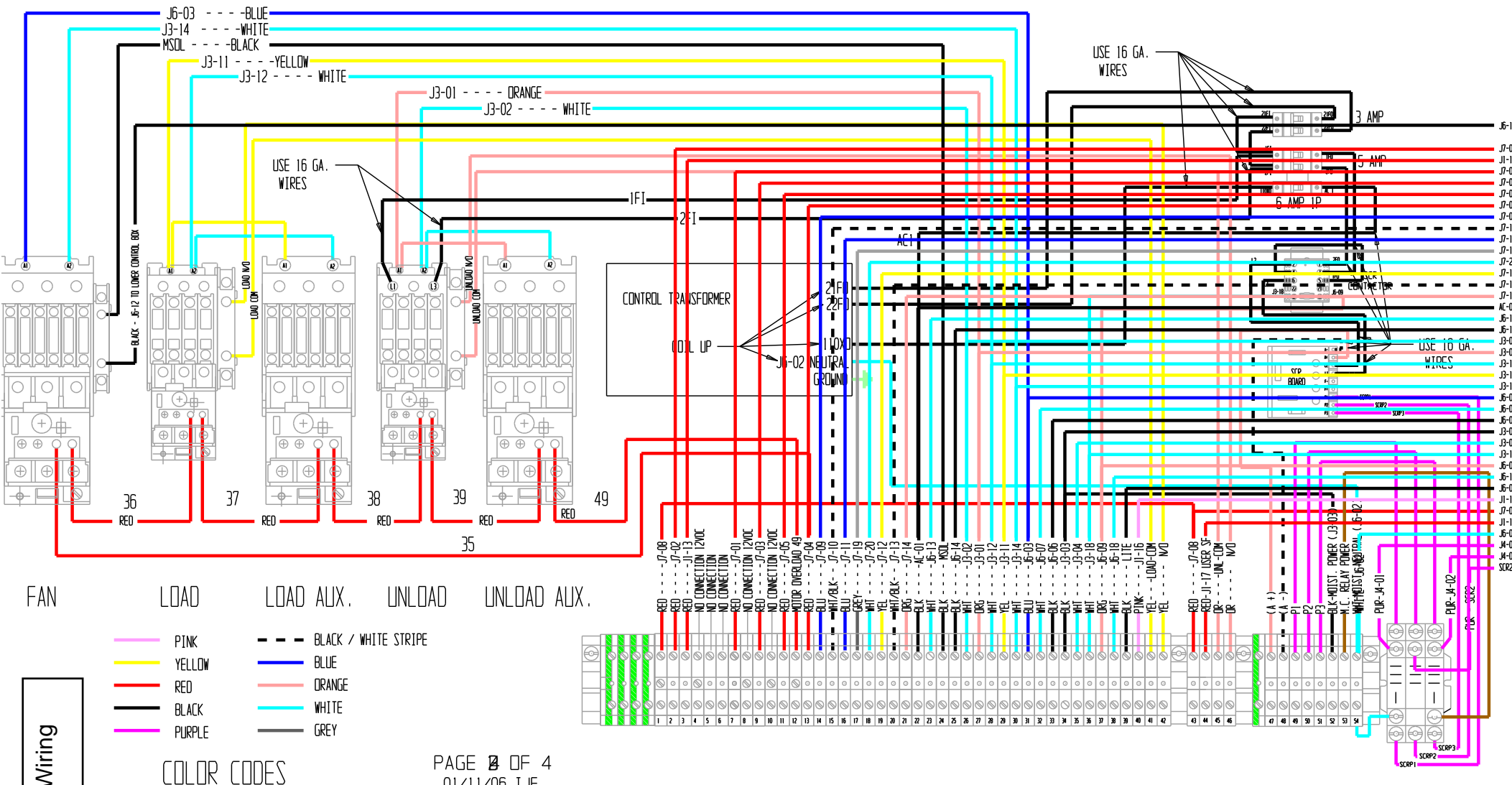
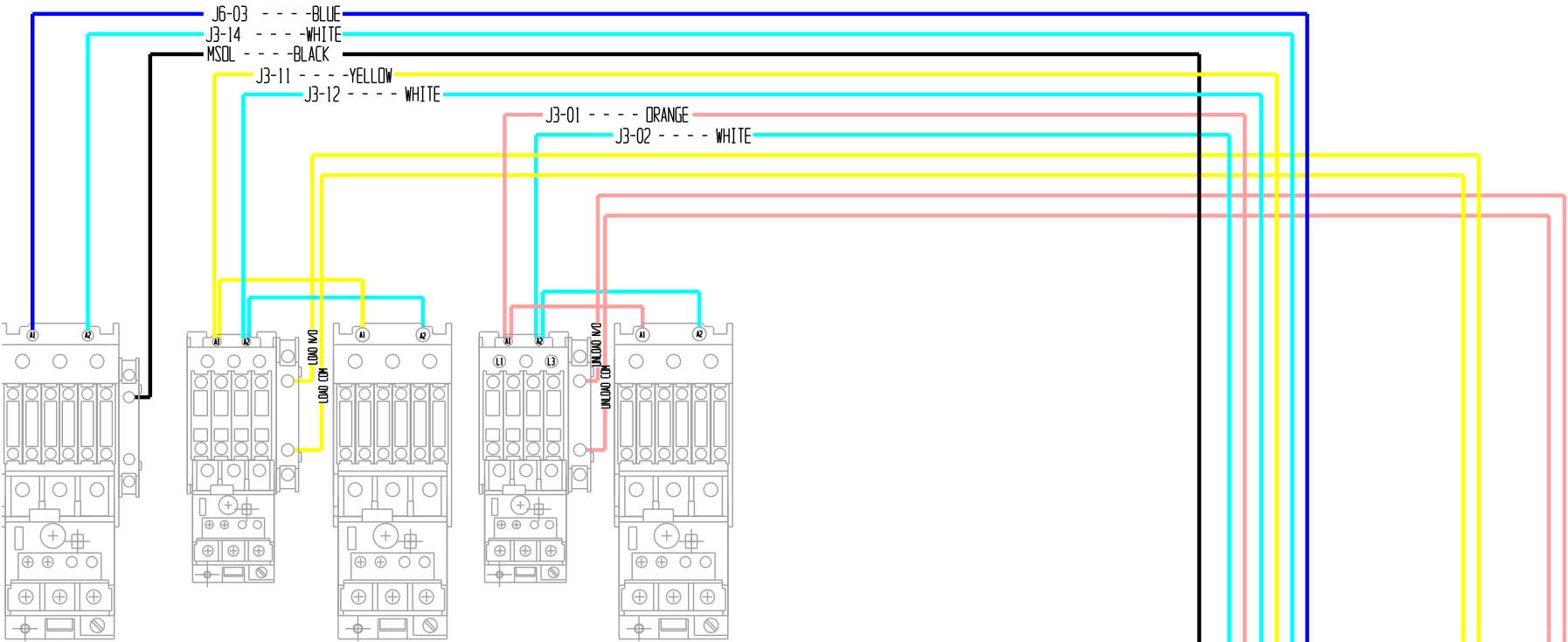


All Upper Control Wiring



- FAN LOAD LOAD AUX. UNLOAD UNLOAD AUX.
- PINK
 - YELLOW
 - RED
 - BLACK
 - PURPLE
 - BLACK / WHITE STRIPE
 - BLUE
 - ORANGE
 - WHITE
 - GREY
- COLOR CODES

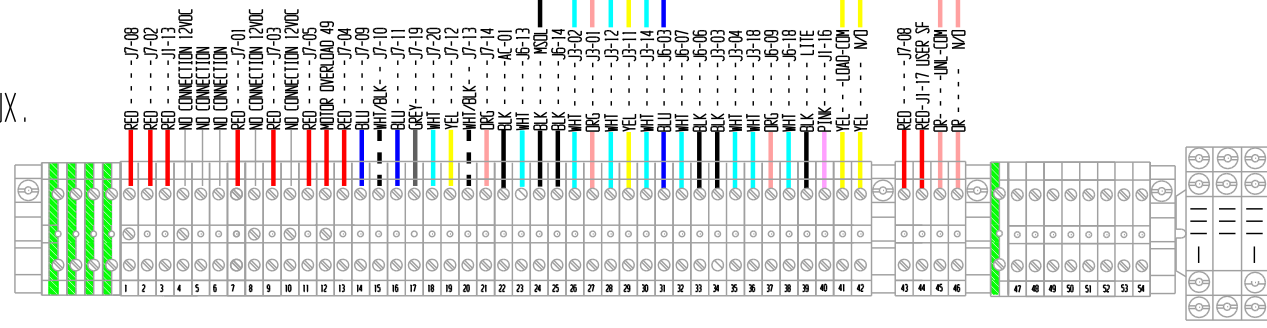


FAN LOAD LOAD AUX. UNLOAD UNLOAD AUX.

- PINK
- YELLOW
- RED
- BLACK
- PURPLE
- BLACK / WHITE STRIPE
- BLUE
- ORANGE
- WHITE
- GREY

Control Wiring
Upper Control Box

COLOR CODES

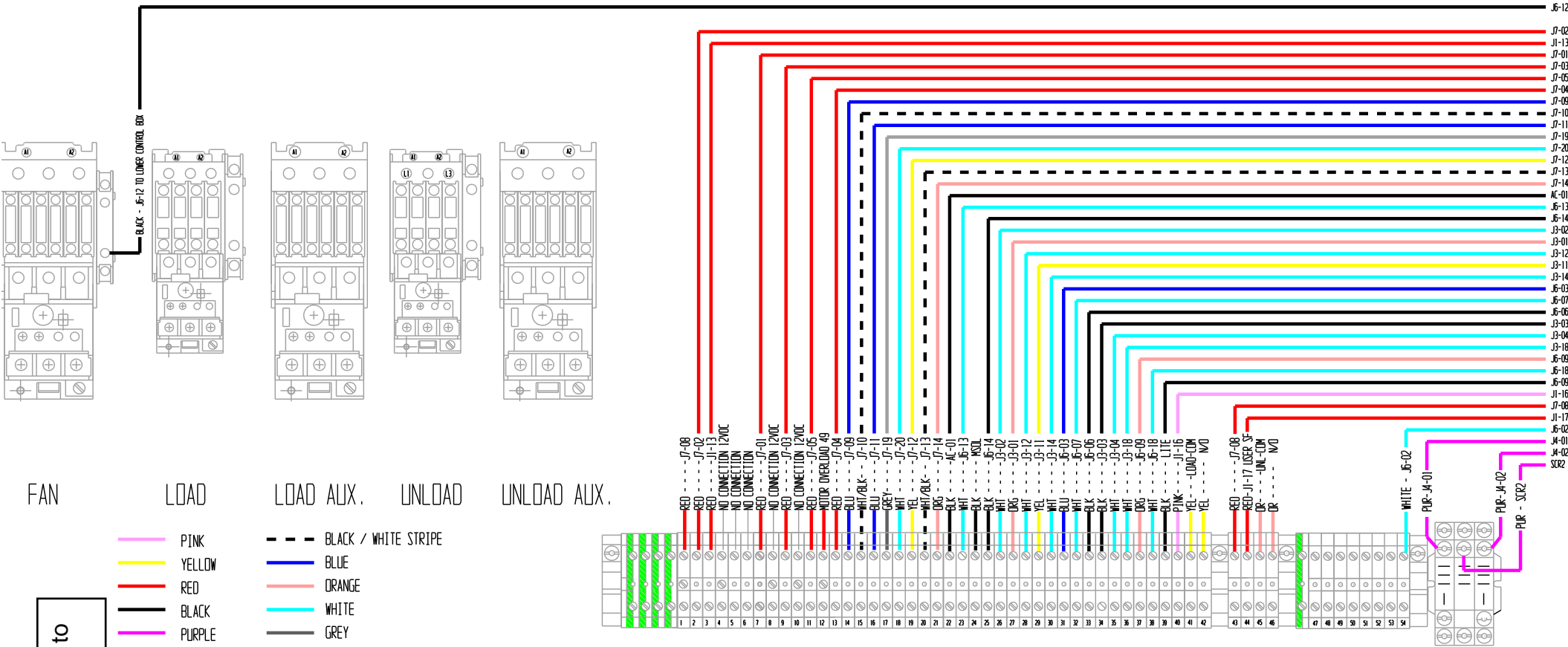


Interconnect Wiring to Lower Control Box

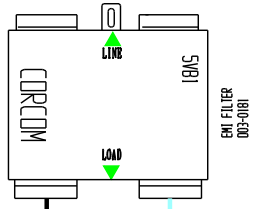
FAN LOAD LOAD AUX. UNLOAD UNLOAD AUX.

- PINK
- YELLOW
- RED
- BLACK
- PURPLE
- BLACK / WHITE STRIPE
- BLUE
- ORANGE
- WHITE
- GREY

COLOR CODES

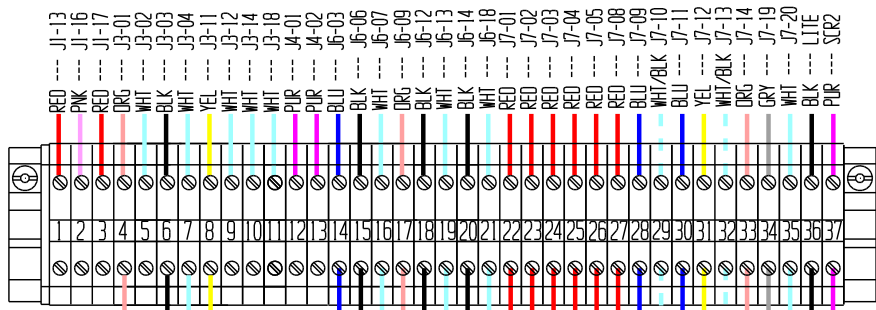


Lower Box Wiring out to Door



TO DOOR

- AC1
- J6-02
- J3-01
- J3-03
- J3-04
- J3-11
- J6-03
- J6-06
- J6-07
- J6-09
- J6-12
- J6-13
- J6-14
- J6-18
- J7-01
- J7-02
- J7-03
- J7-04
- J7-05
- J7-08
- J7-09
- J7-10
- J7-11
- J7-12
- J7-13
- J7-14
- J7-19
- J7-20
- LITE
- SCR2
- J3-05
- J3-07
- J3-09
- J3-19
- J4-03
- J4-04
- J4-05
- J4-06
- J1-03
- J1-05
- J1-07
- J1-09
- J1-11
- J1-14
- J1-10
- J1-08
- J1-06
- J1-04

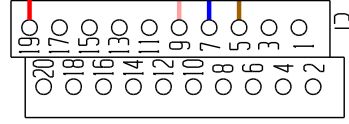
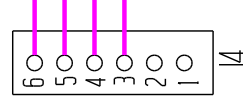
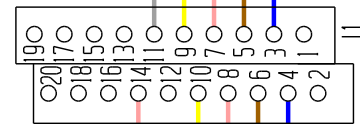


LOWER BACK PANEL WIRING

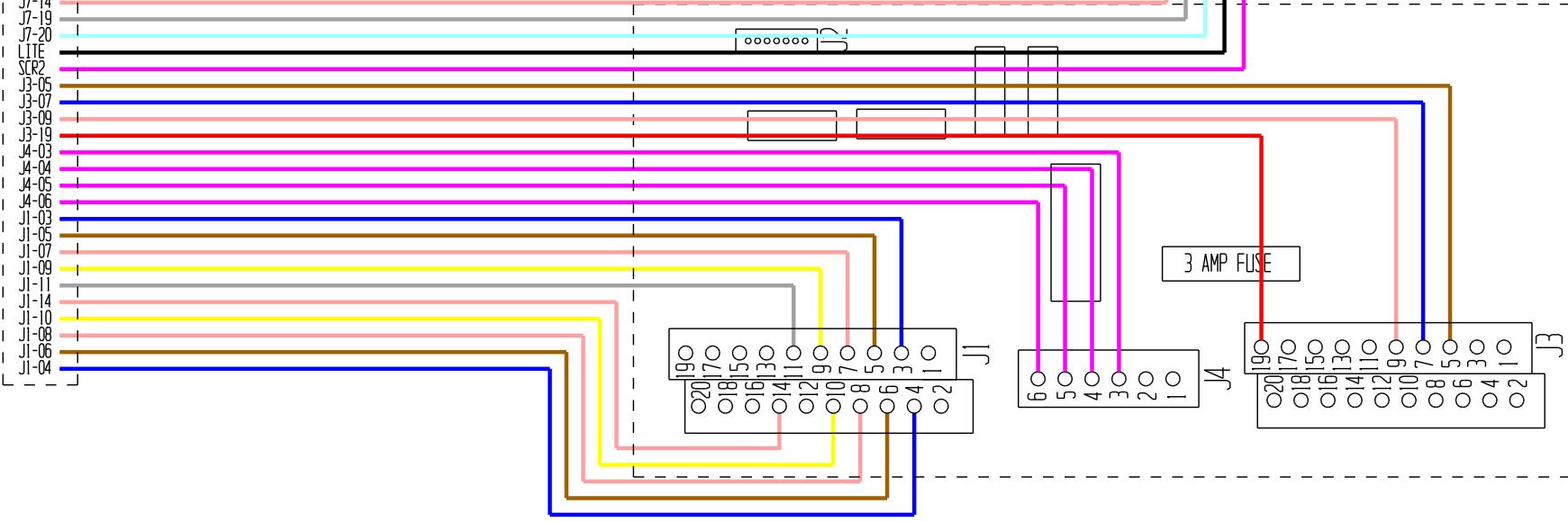
PAGE 2 OF 2
REV. DATE 1/19/06



- PINK
- YELLOW
- RED
- BLACK
- PURPLE
- BROWN
- WHITE/BLACK STRIPE
- BLUE
- ORANGE
- WHITE
- GREY



3 AMP FUSE









Wiring from door to CPU

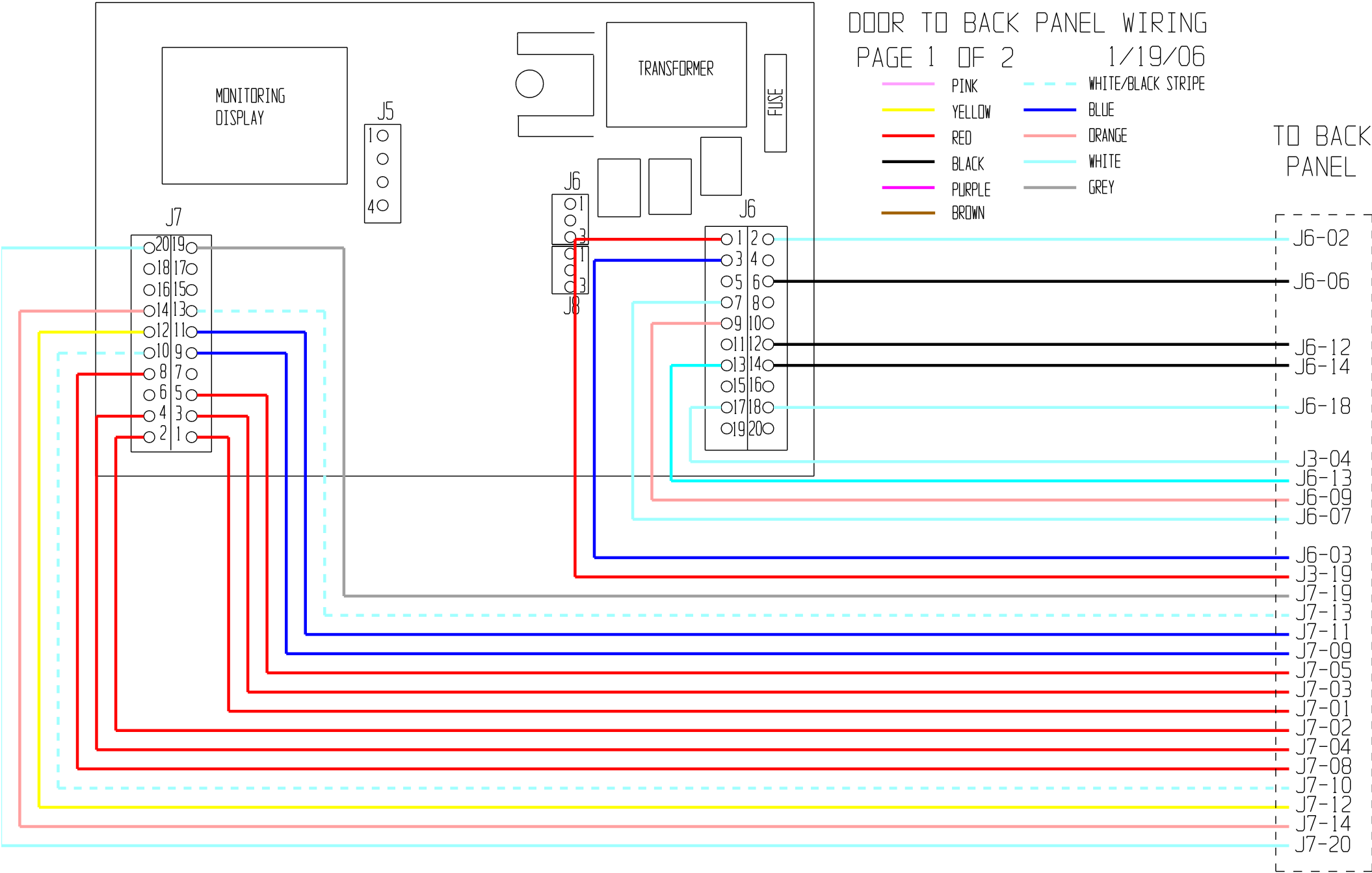
DOOR TO BACK PANEL WIRING

PAGE 1 OF 2

1/19/06

- | | | | |
|---|--------|---|--------------------|
|  | PINK |  | WHITE/BLACK STRIPE |
|  | YELLOW |  | BLUE |
|  | RED |  | ORANGE |
|  | BLACK |  | WHITE |
|  | PURPLE |  | GREY |
|  | BROWN | | |

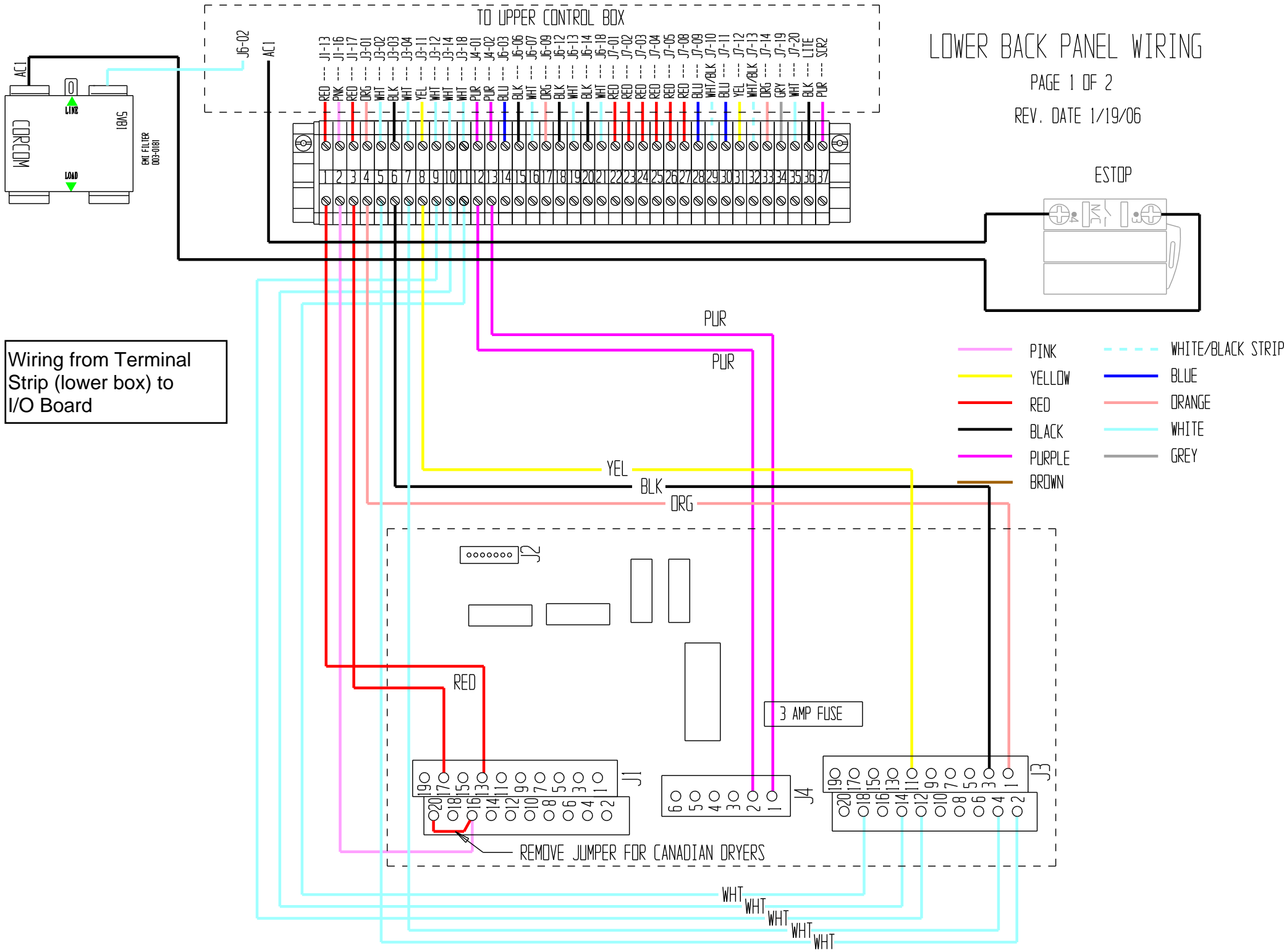
TO BACK
PANEL



LOWER BACK PANEL WIRING

PAGE 1 OF 2

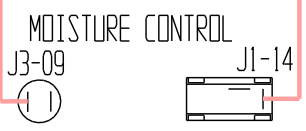
REV. DATE 1/19/06



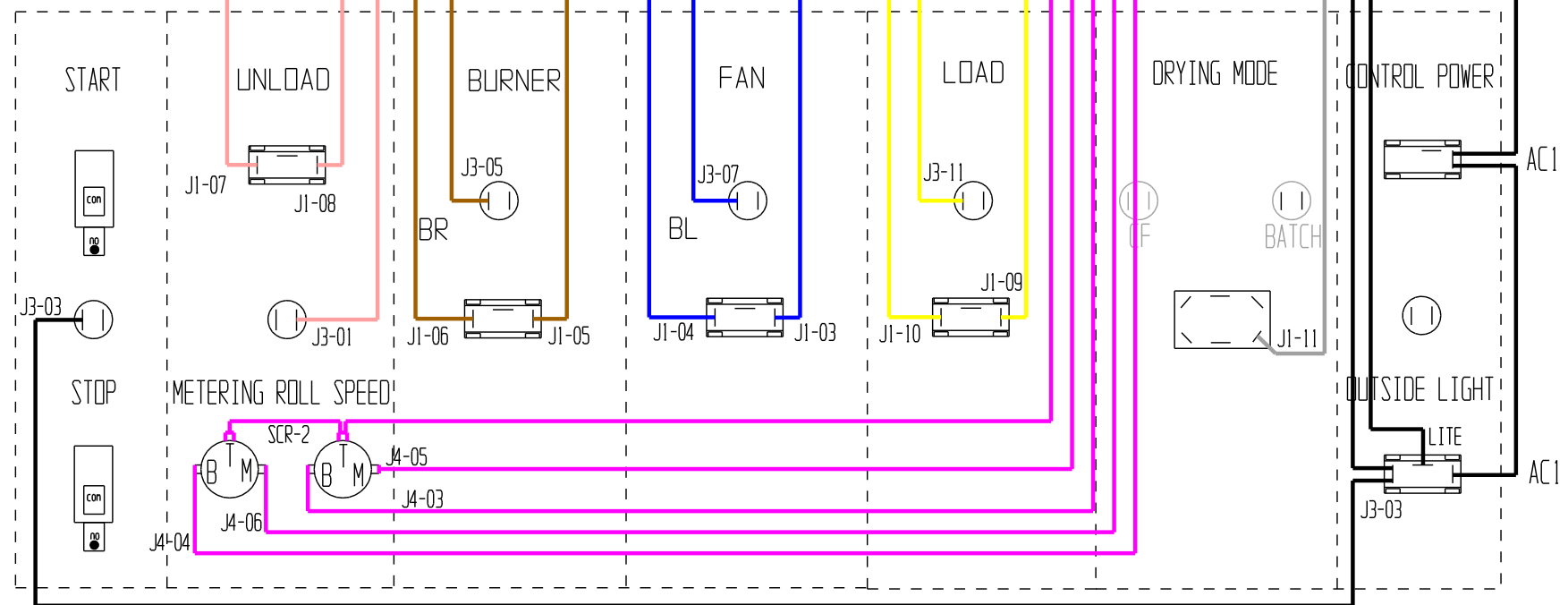
Switch Wiring

TO BACK
PANEL

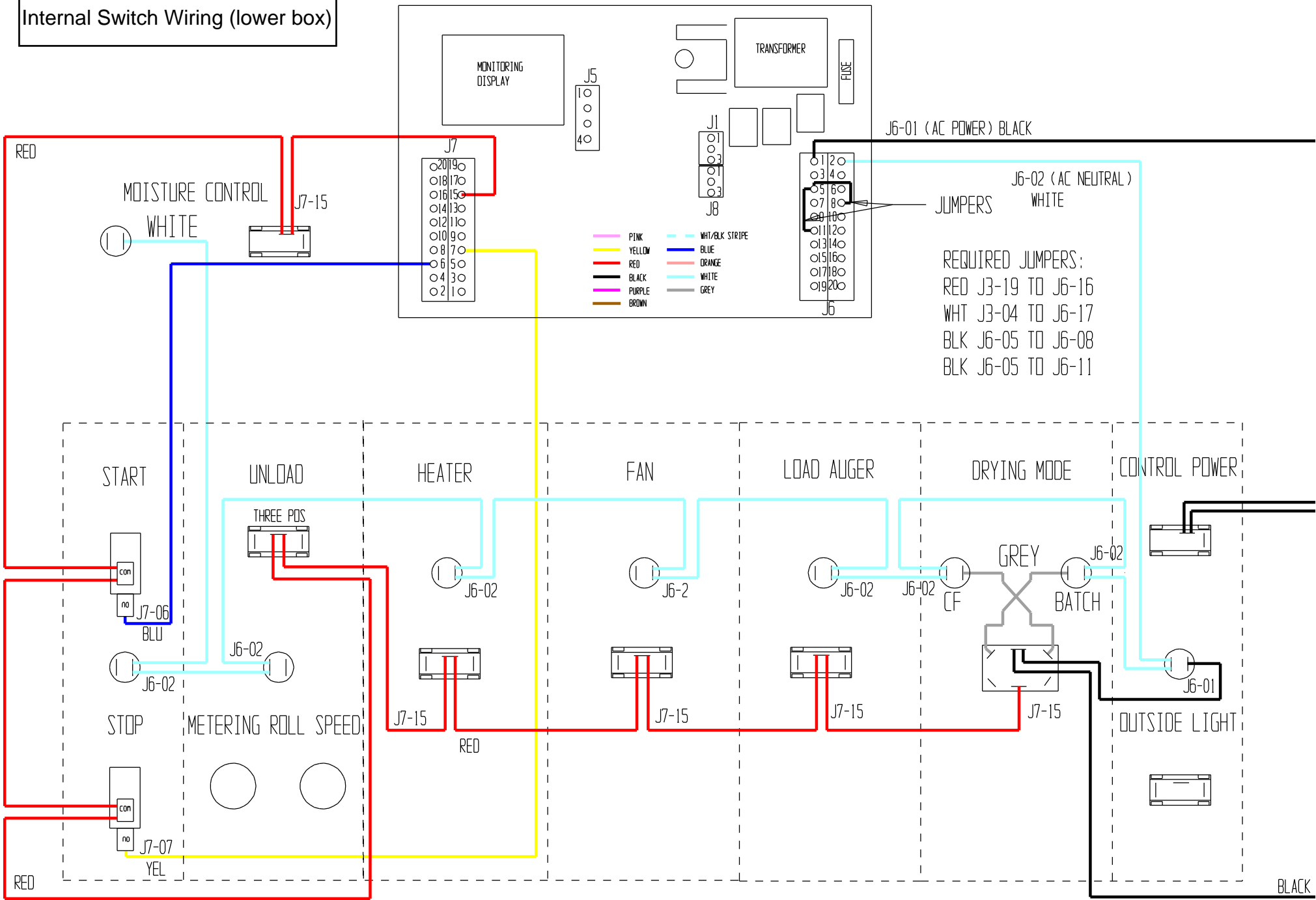
- J3-09
- J1-14
- J1-07
- J1-08
- J3-01
- J1-06
- J3-05
- J1-05
- J1-04
- J3-07
- J1-03
- J1-10
- J3-11
- J1-08
- SCR2
- J4-05
- J4-03
- J4-06
- J4-04
- J1-11
- J3-03
- LITE
- AC1



- PINK
- YELLOW
- RED
- BLACK
- PURPLE
- BROWN
- WHITE/BLACK STRIPE
- BLUE
- ORANGE
- WHITE
- GREY

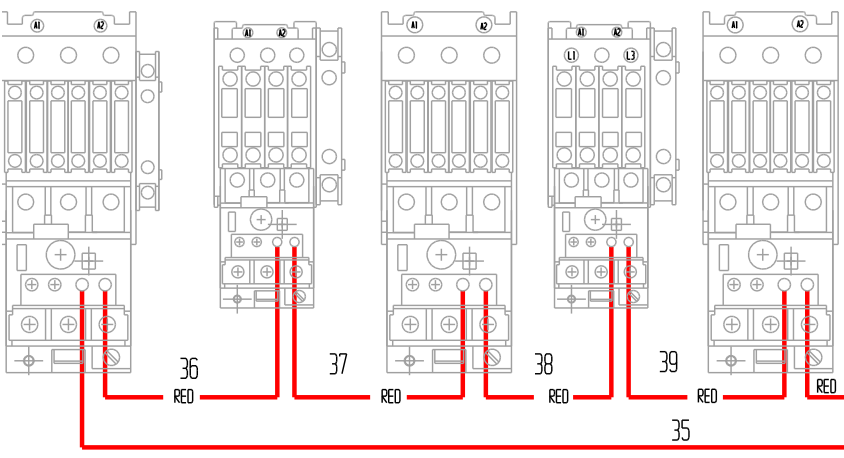


Internal Switch Wiring (lower box)



INTERNAL WIRING CONNECTIONS ON DOOR REV. DATE 1/12/06

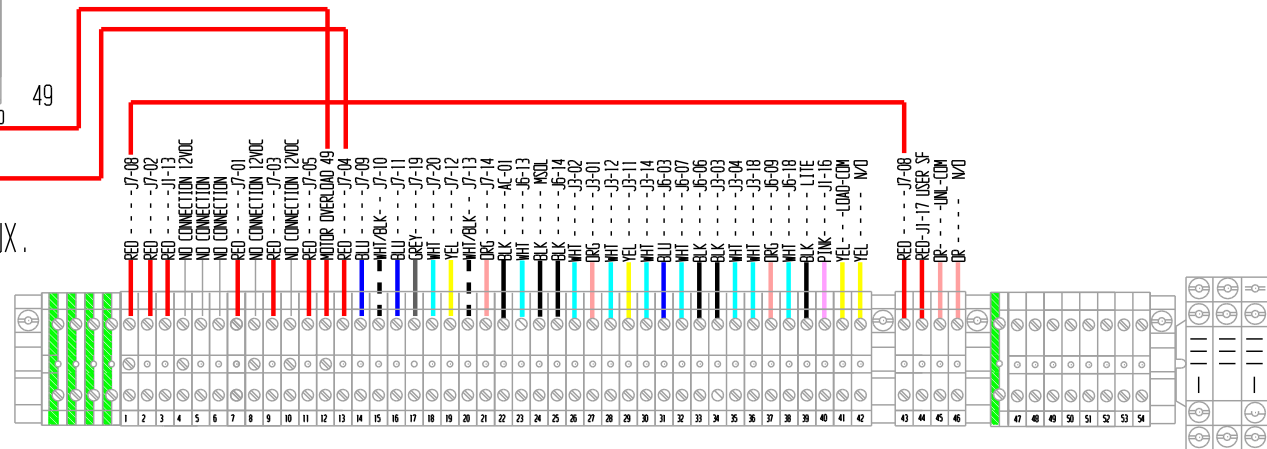
Safety Wiring (upper control Box)



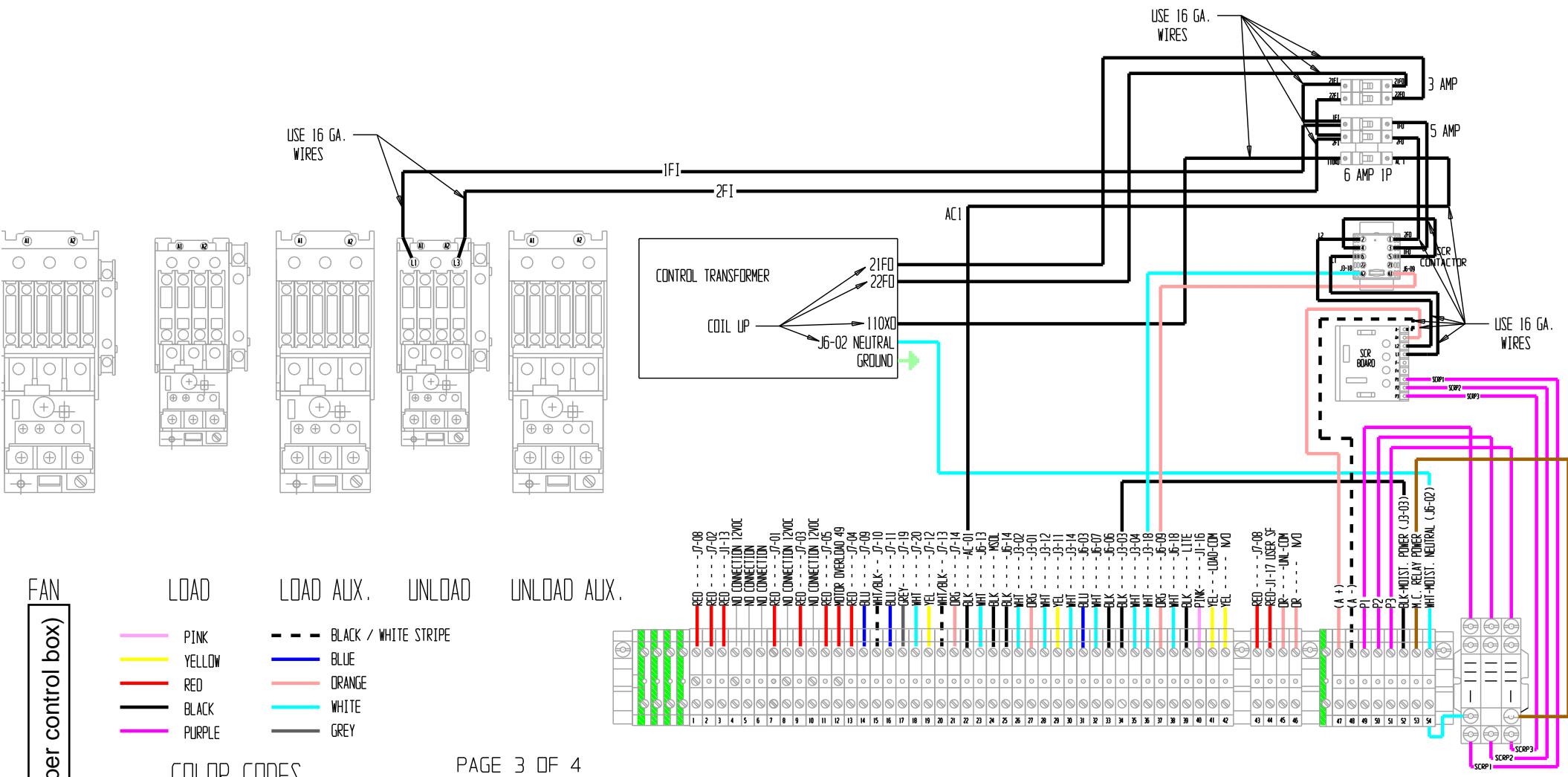
FAN LOAD LOAD AUX. UNLOAD UNLOAD AUX.

- PINK
- YELLOW
- RED
- BLACK
- PURPLE
- BLACK / WHITE STRIPE
- BLUE
- ORANGE
- WHITE
- GREY

COLOR CODES



SCR Drive Wiring (upper control box)



FAN

LOAD

LOAD AUX.

UNLOAD

UNLOAD AUX.

- PINK
- YELLOW
- RED
- BLACK
- PURPLE
- BLACK / WHITE STRIPE
- BLUE
- ORANGE
- WHITE
- GREY

COLOR CODES