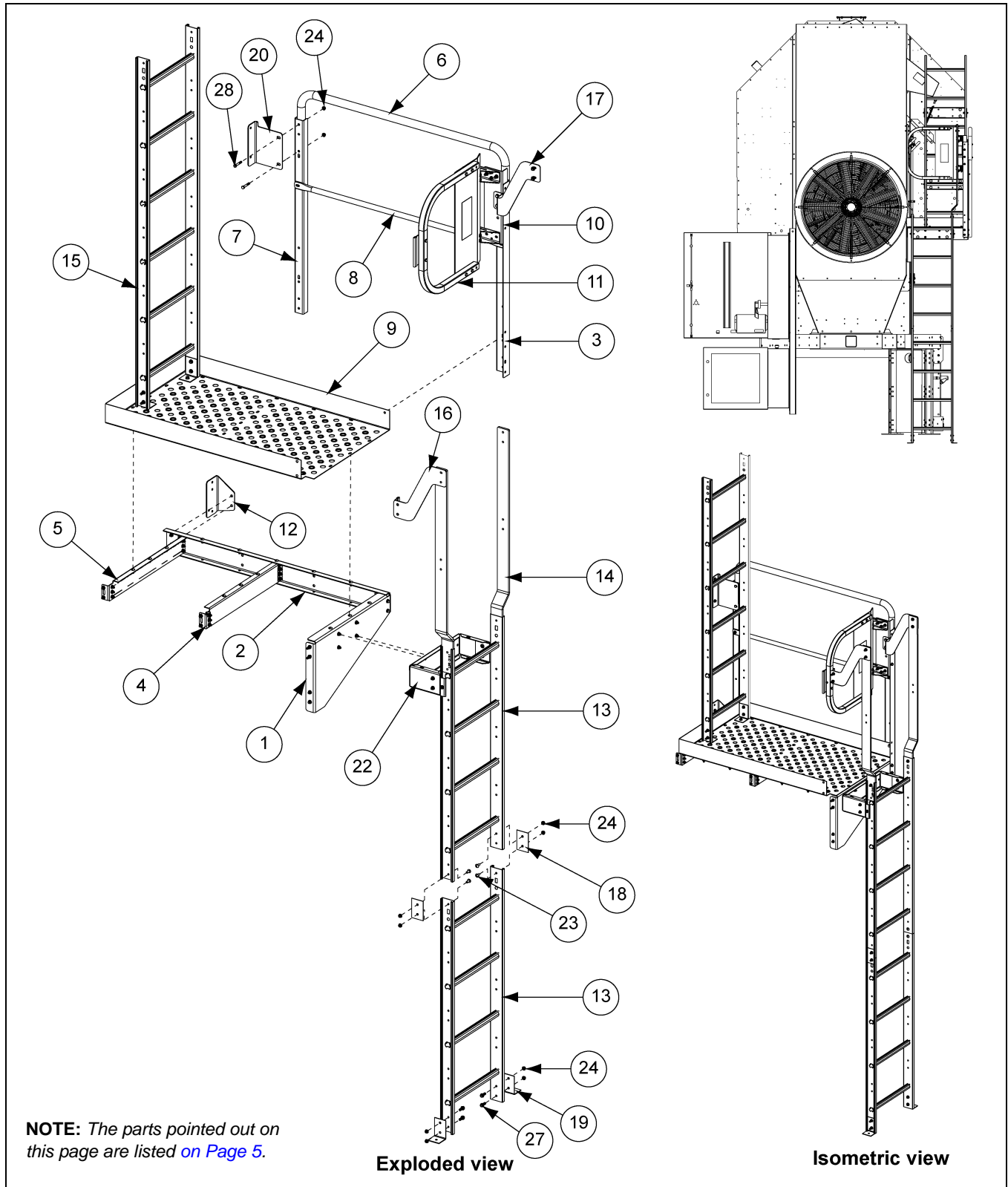




1004 East Illinois Street • Assumption, IL 62510 • 1-217-226-4421

Instructions Single Stack Front Platform Instructions for Portable Dryers

Single Stack Portable Platform (D04-1156)



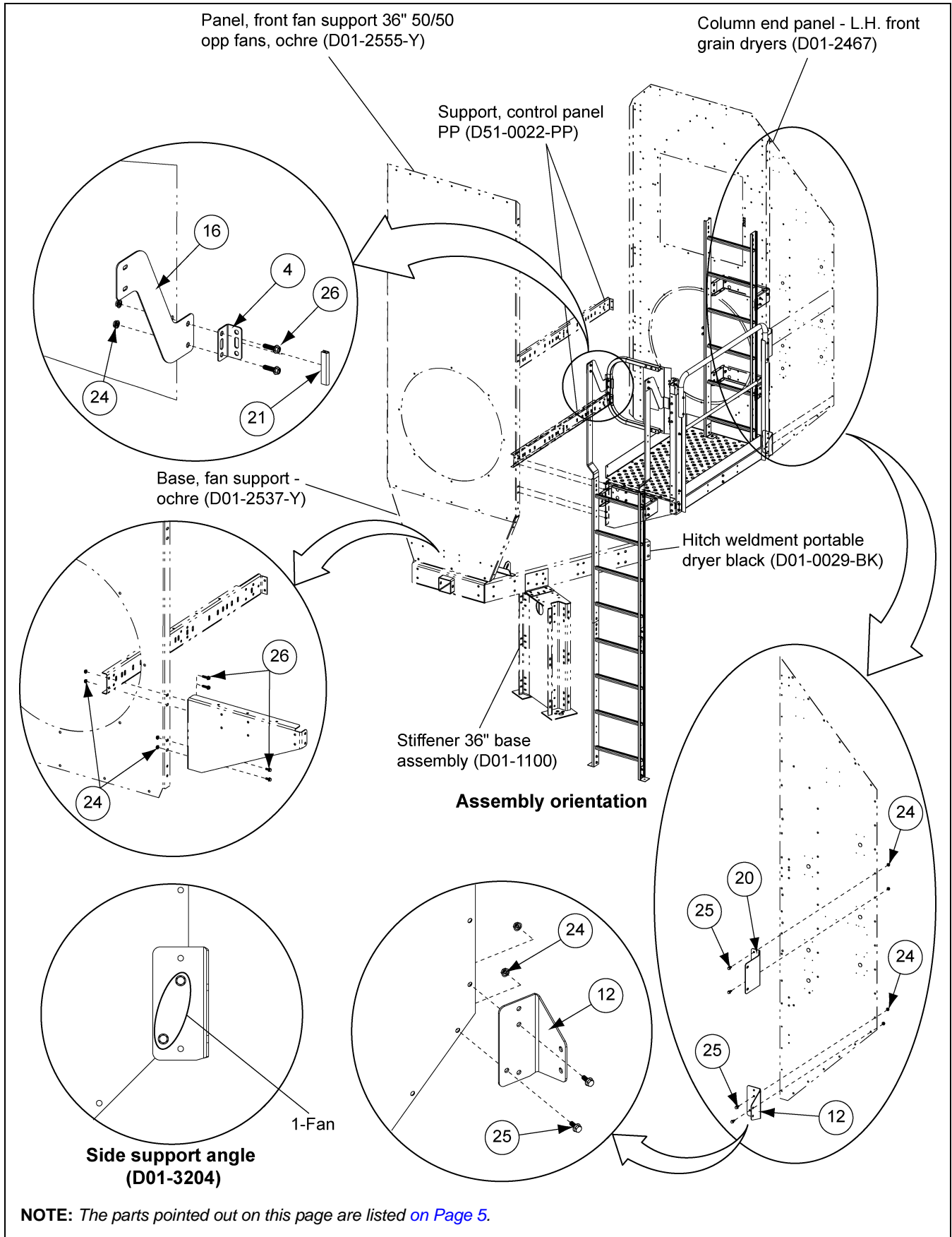
Date: 09-20-16 V1.1

Printed in the U.S.A.
Copyright © 2016 by The GSI Group, LLC
www.gsiag.com

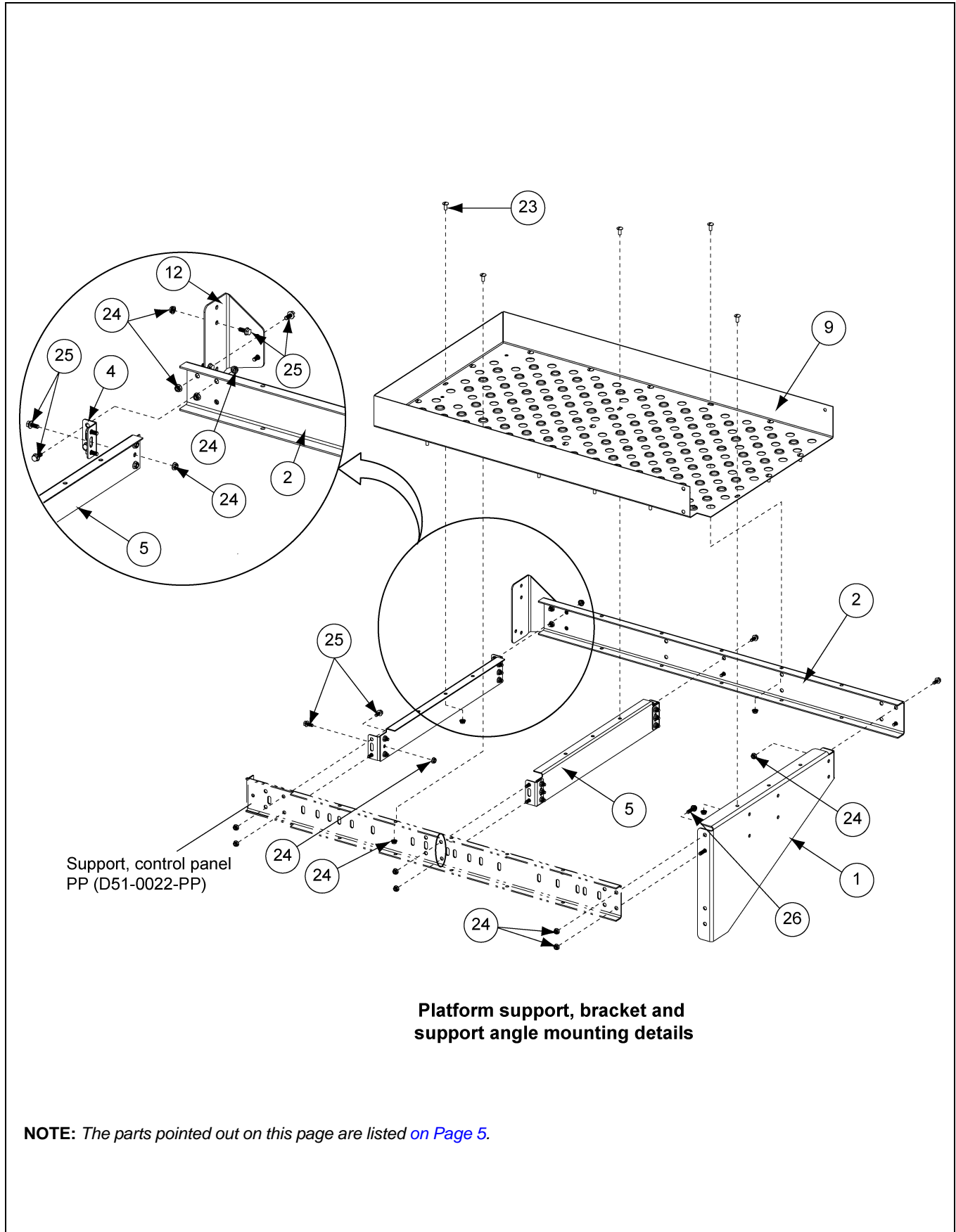


PNEG-2089
Page 1 of 10
CN-325737

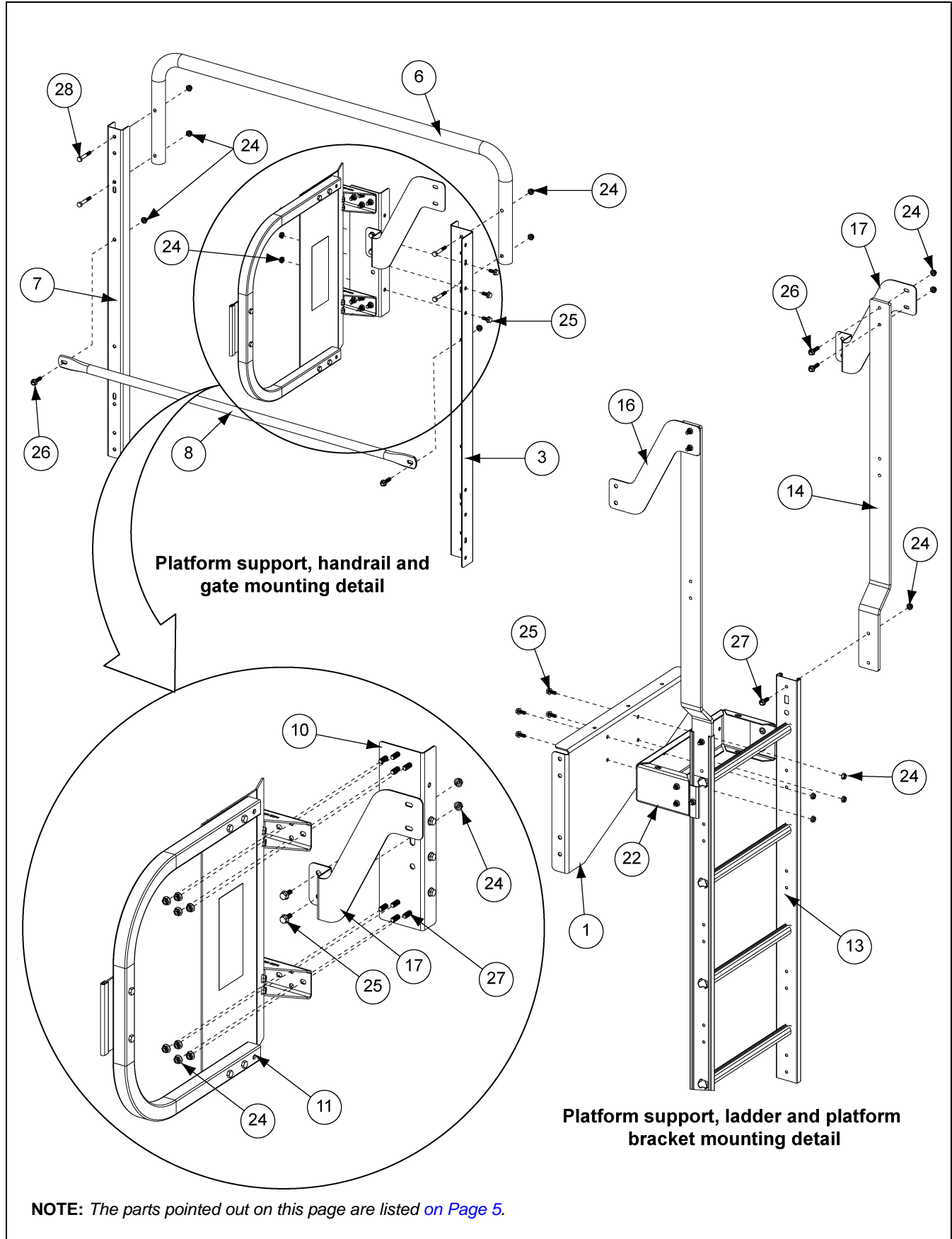
Single Stack Portable Platform (D04-1156) (Continued)



Single Stack Portable Platform (D04-1156) (Continued)



Single Stack Portable Platform (D04-1156) (Continued)



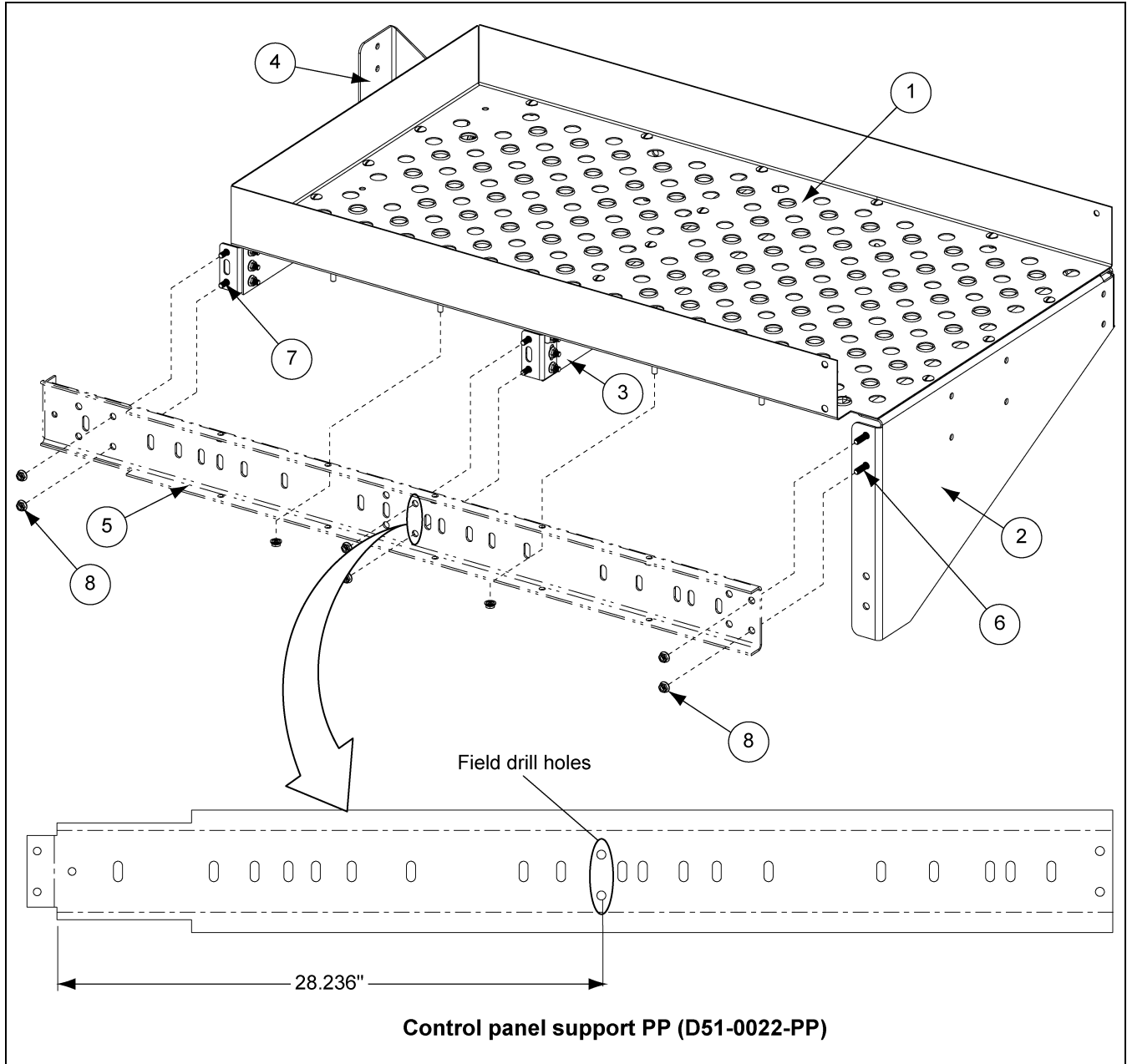
Single Stack Front Platform Instructions for Portable Dryers

Single Stack Portable Platform (D04-1156) Parts List

Ref #	Part #	Description	Qty
1	D01-3202	Support Platform, Single Stack Portable	1
2	D01-3201	Side Support, Single Stack Portable Platform	1
3	D01-3211	Support, Portable Platform Handrail	1
4	D01-3082	Bracket, Service Platform Corner Attachment	5
5	D01-3203	End Support, Single Stack, Portable Platform	2
6	D01-2845-Y	4' Handrail Top, Ochre	1
7	D01-3236	Support, Portable Platform Handrail	1
8	D01-2846	4' Handrail Intermediate	1
9	D01-3198	Plank, Single Stack, Portable Platform	1
10	D01-3237	Single Stack Platform Gate Mounting Bracket	1
11	LDR-5218	Ladder Safety Gate	1
12	D01-3204	Side Support Angle, Single Stack Portable Platform	1
13	4FOOTRFBFT	4' BFT Roll Form Ladder Assembly	2
14	LDR-5161-BS	Formed Ladder Flare	2
15	6FOOTRFBFT	6' BFT Roll Form Ladder Assembly	1
16	D01-3309	Ladder Mounting Bracket	1
17	D01-3240	Platform Mounting Bracket	1
18	LDR-4317	Ladder Section Splice Plate	2
19	LDR-5181	Intermediate Platform Ladder Base	4
20	D01-3308	Side Support for Handrail Mounting Channel and End Panel	1
21	S-10132	Trim SOF-TONE Black DBL LIP 1/16"	1
22	D04-0998	Portable 3 PC Roll Formed Ladder Bracket Assembly	1
23	S-6620	Screw, MS 5/16"-18 x 3/4" THS ZN Clear Grade 5	45
24	S-10268	Flange Nut 5/16"-18 JS500 Grade 5	125
25	S-6606	Flange Bolt 5/16"-18 x 3/4" ZN Clear Grade 5	30
26	S-7483	Flange Bolt 5/16"-18 x 1-1/4" JS500 Grade 8 or 8.2 Full Thread with Sealing Washer	15
27	S-10260	Flange Bolt 5/16"-18 x 1" JS500 Grade 8 or 8.2 Full Thread with Sealing Washer	30
28	S-7877	Bolt, HHCS 5/16"-18 x 2" ZN Grade 5	5
N/S	WB-562531	Crate, 56" x 25" x 31" (Inside Dimensions)	1

Single Stack Front Platform Instructions for Portable Dryers

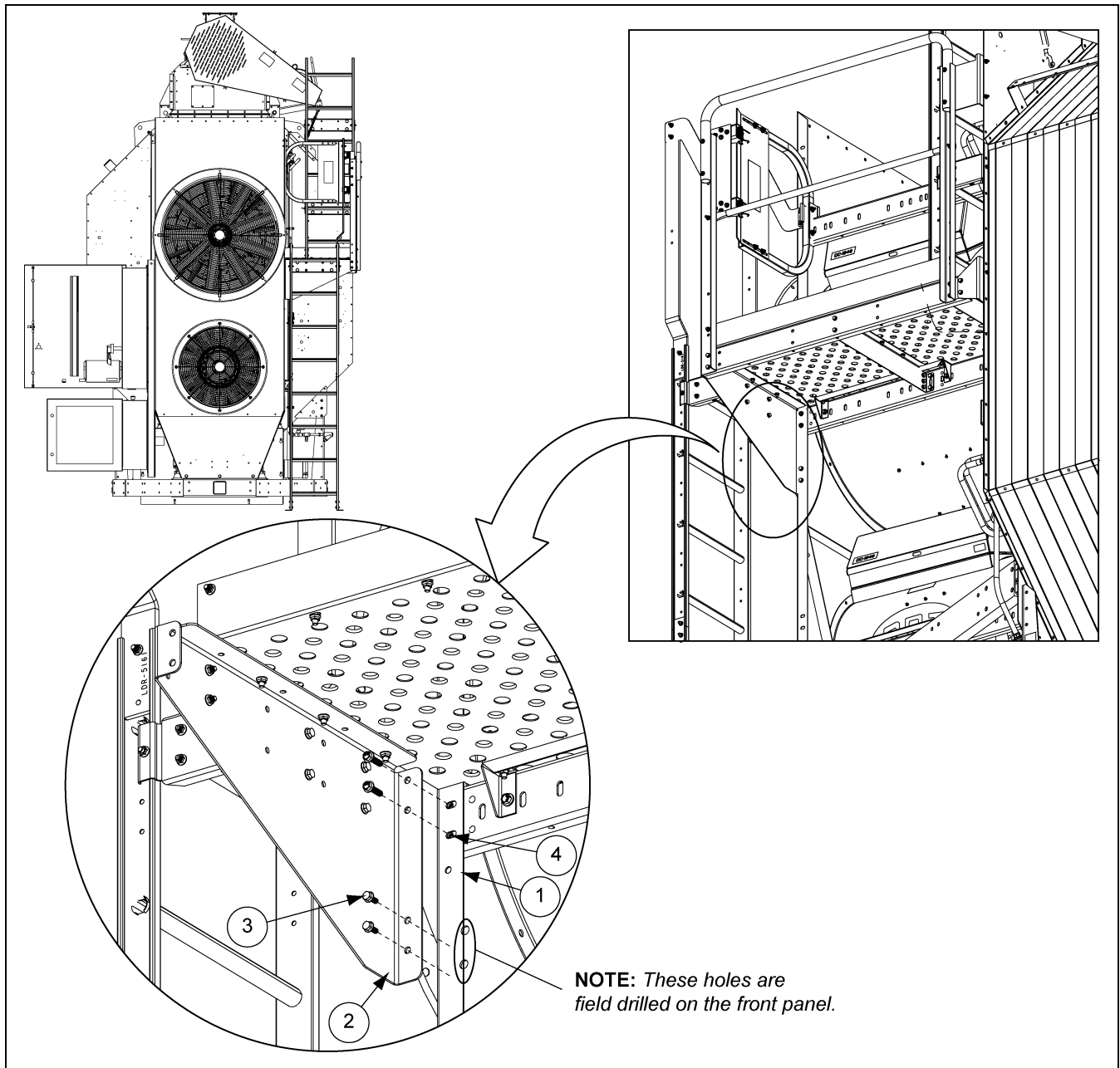
Retrofit Instructions for Single Fan



Ref #	Part #	Description
1	D01-3198	Plank, Single Stack, Portable Platform
2	D01-3202	Support Platform, Single Stack Portable
3	D01-3203	End Support, Single Stack, Portable Platform
4	D01-3204	Side Support Angle, Single Stack Portable Platform
5	D51-0022-PP	Support, Control Panel PP
6	S-7483	Flange Bolt 5/16"-18 x 1-1/4" JS500 Grade 8 or 8.2 Full Thread with Sealing Washer
7	S-6606	Flange Bolt 5/16"-18 x 3/4" ZN Clear Grade 5
8	S-10268	Flange Nut 5/16"-18 JS500 Grade 5

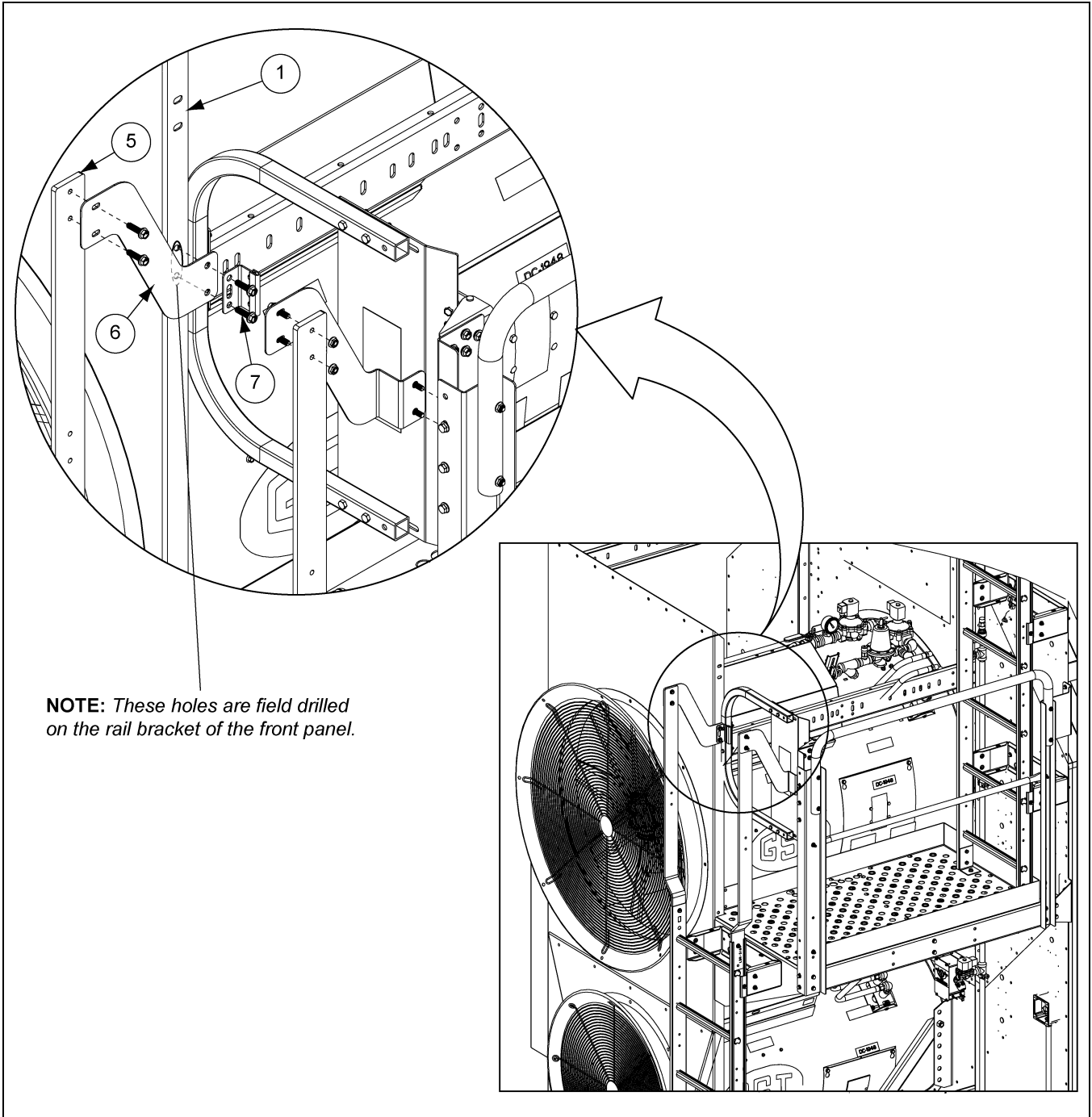
Single Stack Portable Platform for 2 Fan

NOTE: The platform is assembled the same as the single fan, but it is just shifted up higher on the dryer. Note the holes that need to be field drilled.



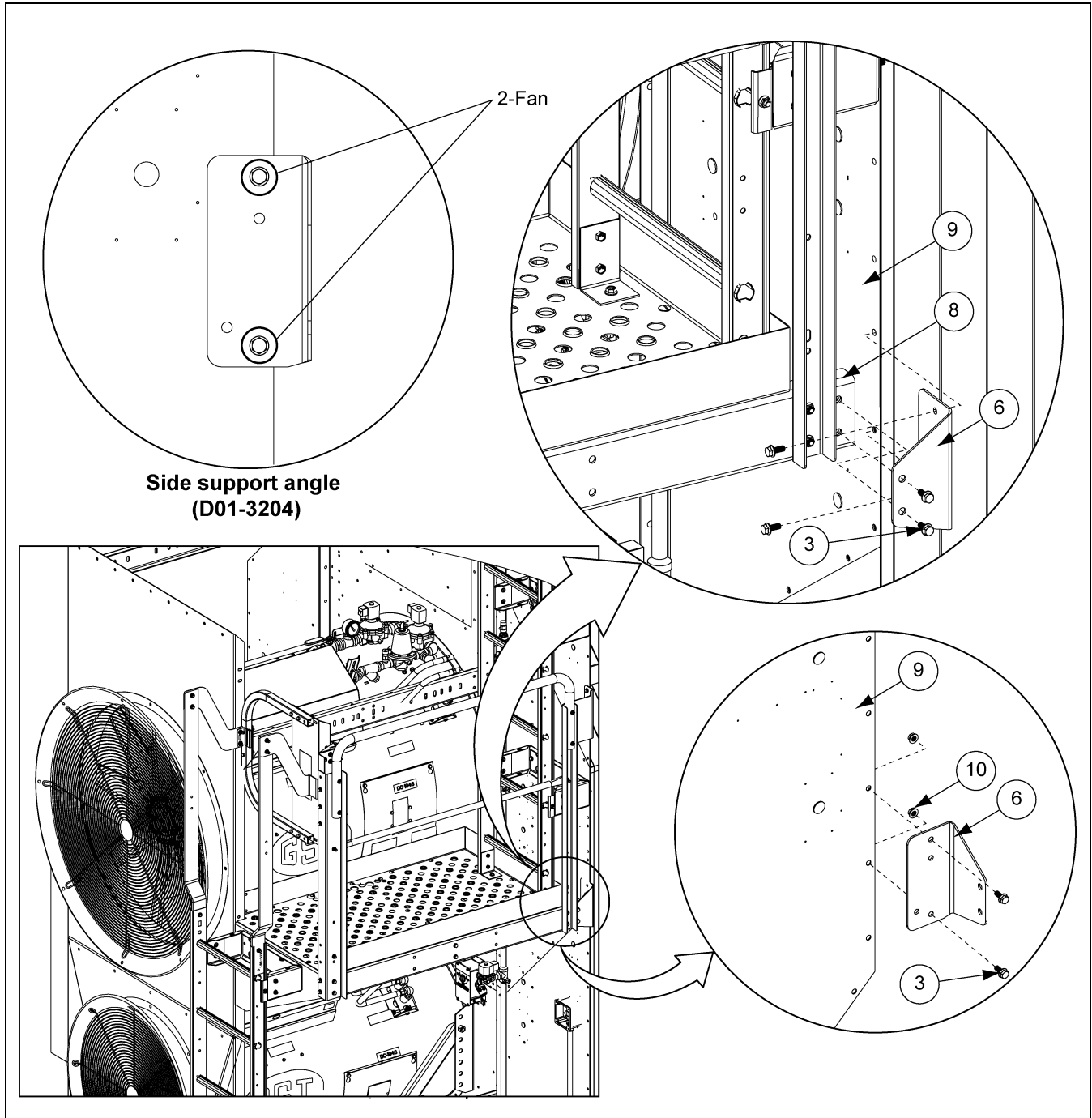
Ref #	Part #	Description
1	D01-2550-Y	Panel, Fan Support 28"-40" Fans, Ochre
2	D01-3202	Support Platform, Single Stack Portable
3	S-6606	Flange Bolt 5/16"-18 x 3/4" ZN Clear Grade 5
4	S-3611	Flange Nut 5/16"-18 YDP Grade 2

Single Stack Portable Platform for 2 Fan (Continued)



Ref #	Part #	Description
1	D01-2550-Y	Panel, Fan Support 28"-40" Fans, Ochre
5	LDR-5161-BS	Formed Ladder Flare
6	D01-3240	Platform Mounting Bracket
7	S-7483	Flange Bolt 5/16"-18 x 1-1/4" JS500 Grade 8 or 8.2 Full Thread with Sealing Washer

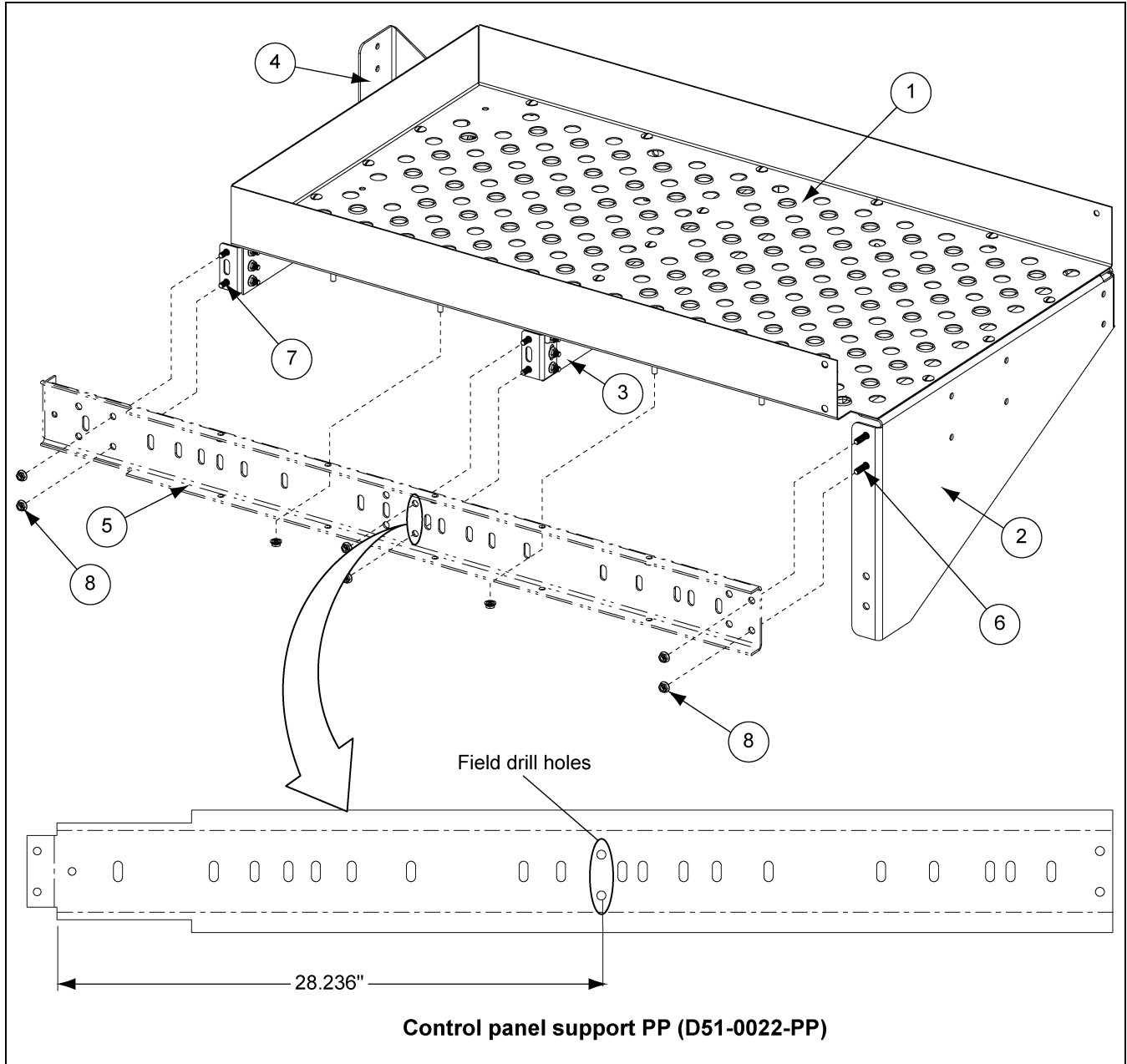
Single Stack Portable Platform for 2 Fan (Continued)



Ref #	Part #	Description
3	S-6606	Flange Bolt 5/16"-18 x 3/4" ZN Clear Grade 5
6	D01-3204	Side Support Angle, Single Stack Portable Platform
8	D01-3201	Side Support, Single Stack Portable Platform
9	D01-2467	Column End Panel - L.H. Front Grain Dryers
10	S-10268	Flange Nut 5/16"-18 JS500 Grade 5

Single Stack Front Platform Instructions for Portable Dryers

Retrofit Instructions for 2 Fan



Ref #	Part #	Description
1	D01-3198	Plank, Single Stack, Portable Platform
2	D01-3202	Support Platform, Single Stack Portable
3	D01-3203	End Support, Single Stack, Portable Platform
4	D01-3204	Side Support Angle, Single Stack Portable Platform
5	D51-0022-PP	Support, Control Panel PP
6	S-7483	Flange Bolt 5/16"-18 x 1-1/4" JS500 Grade 8 or 8.2 Full Thread with Sealing Washer
7	S-6606	Flange Bolt 5/16"-18 x 3/4" ZN Clear Grade 5
8	S-10268	Flange Nut 5/16"-18 JS500 Grade 5