



# Portable Dryer Lower Rear Access Platform (D04-1194)

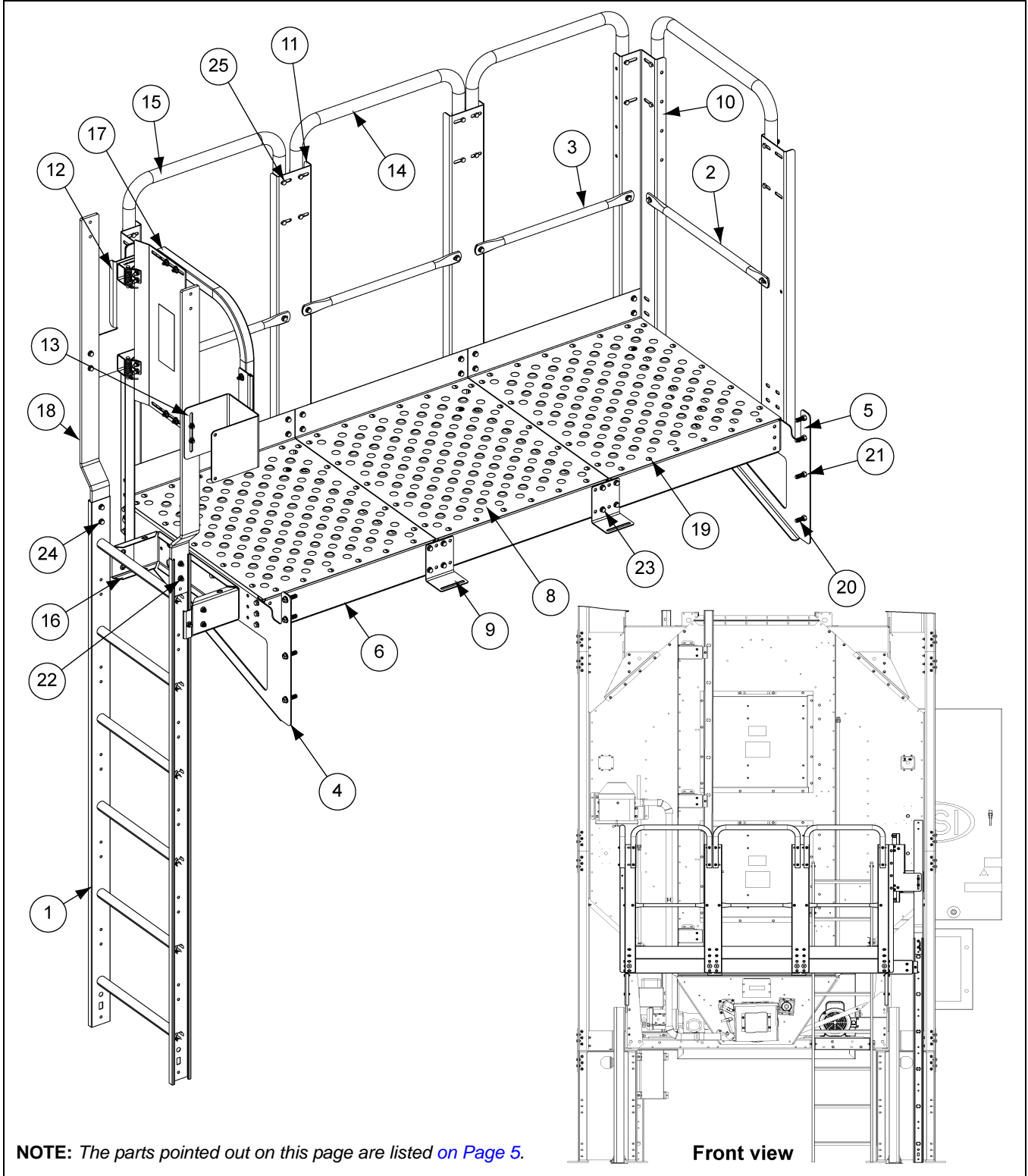


Figure 1 Assembled View

Date: 10-30-18 V2.0

Printed in the U.S.A.  
Copyright © 2018 by The GSI Group, LLC  
www.gsiag.com



PNEG-2090  
Page 1 of 6  
CN-339440

Portable Dryer Lower Rear Access Platform (D04-1194) (Continued)

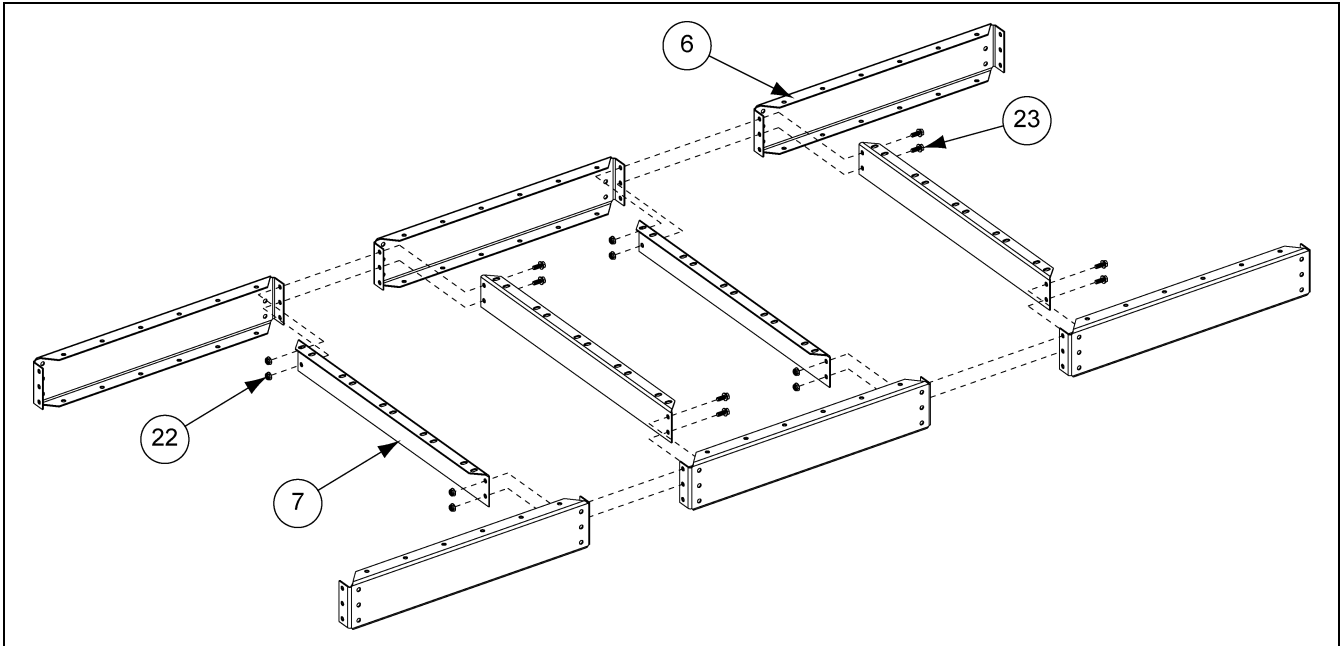


Figure 2 Installing the Plank Supports

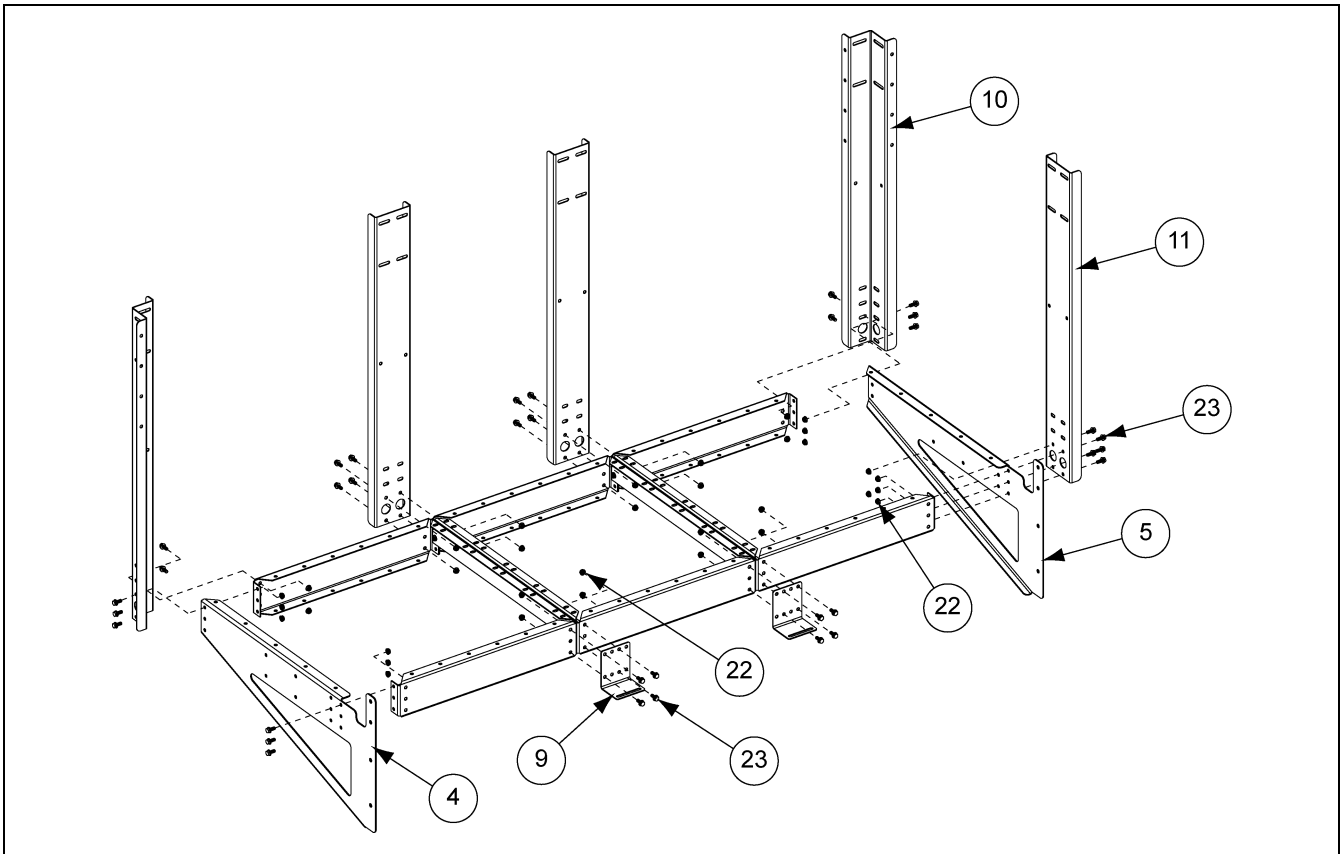


Figure 3 Installing the Handrail Posts

**NOTE:** The parts pointed out on this page are listed on [Page 5](#).

Portable Dryer Lower Rear Access Platform (D04-1194) (Continued)

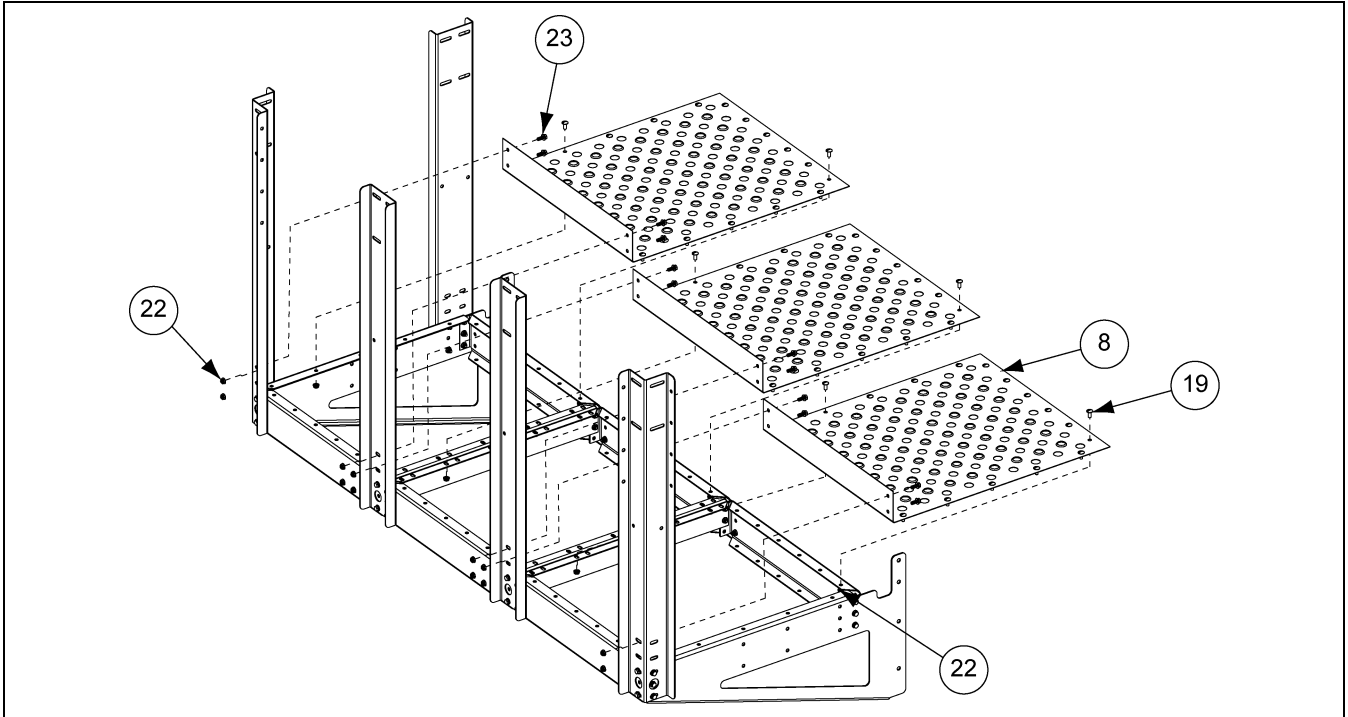


Figure 4 Installing the Planks

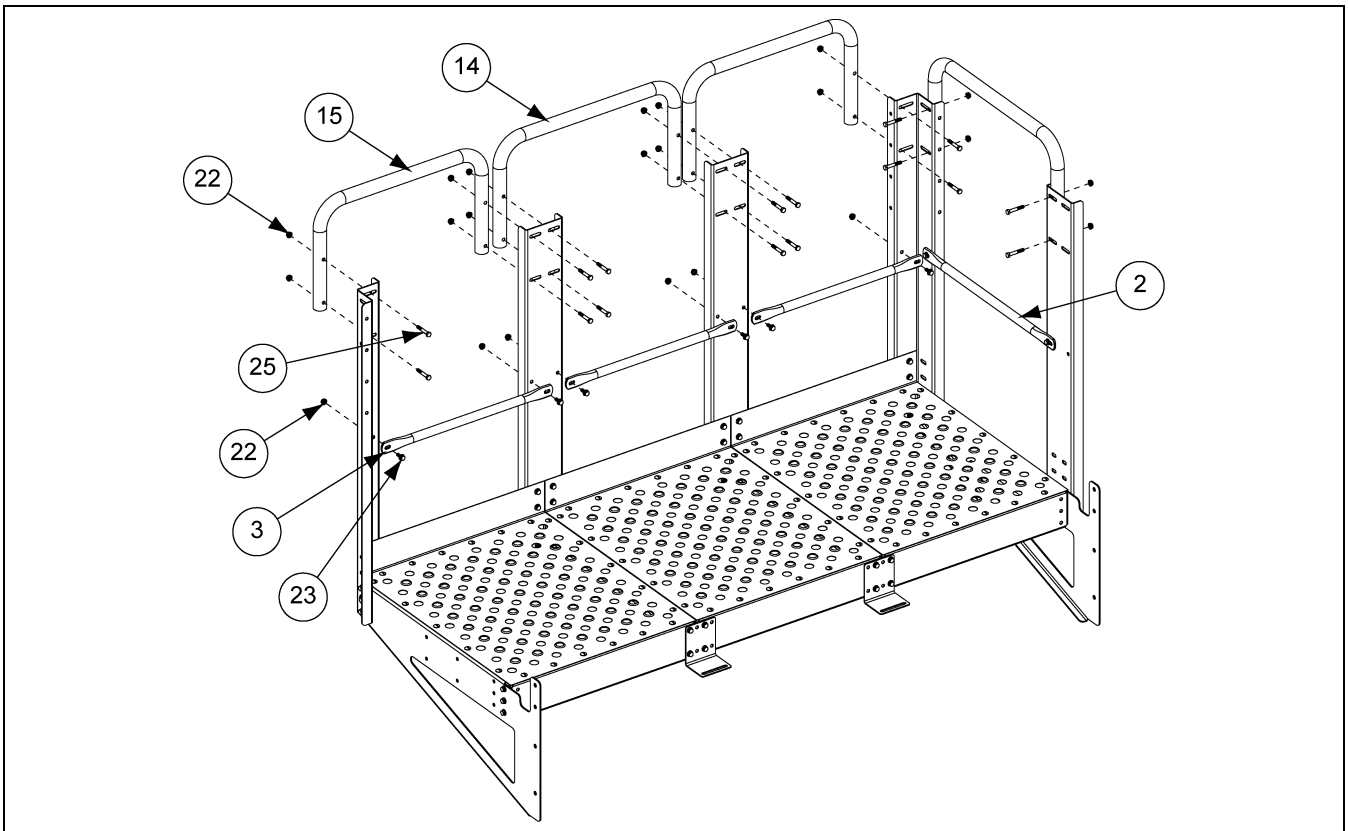


Figure 5 Installing the Handrails

**NOTE:** The parts pointed out on this page are listed on [Page 5](#).

Portable Dryer Lower Rear Access Platform (D04-1194) (Continued)

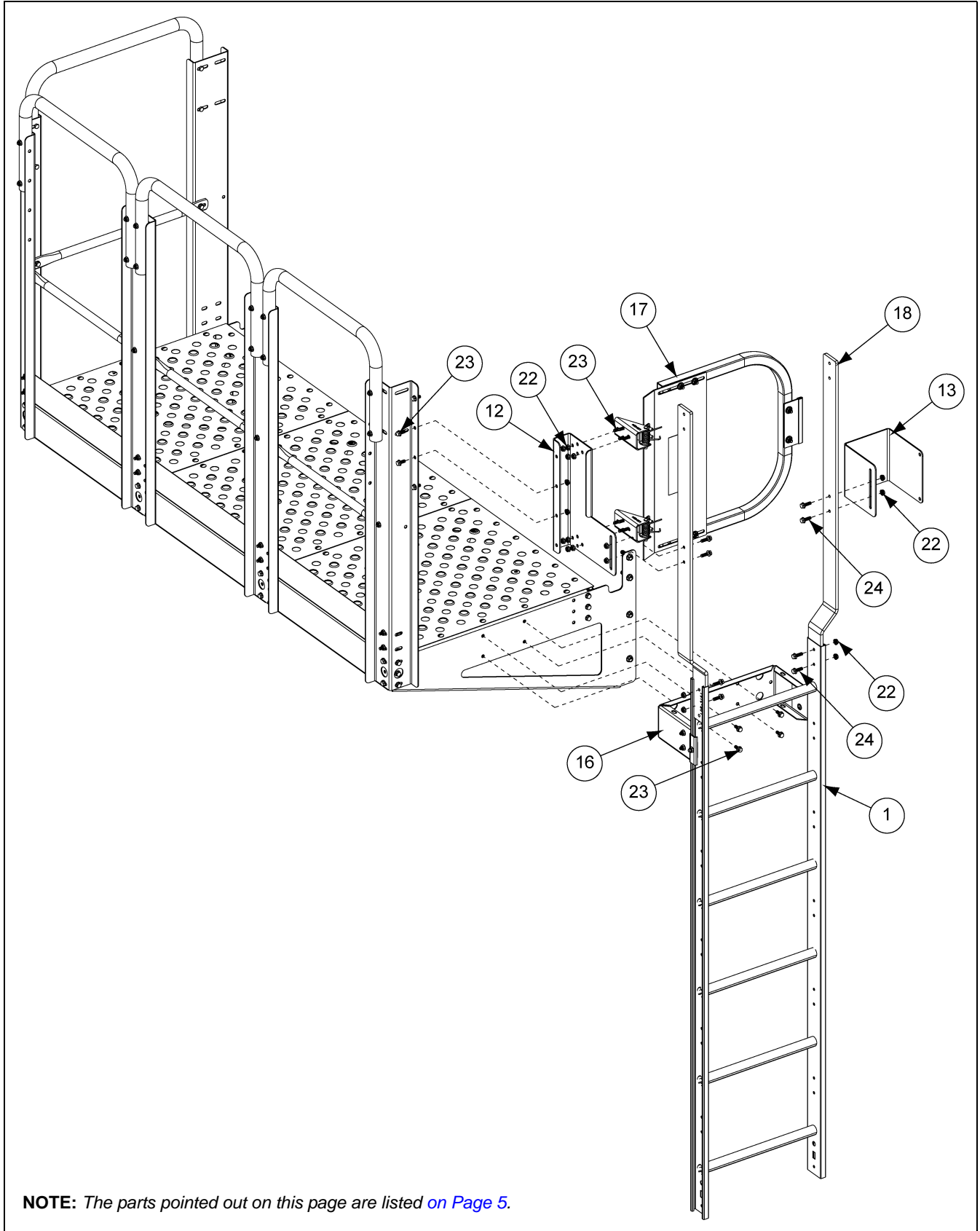


Figure 6 Installing the Safety Gate and Ladder

# Single Stack Rear Platform Instructions for Portable Dryers

## Portable Dryer Lower Rear Access Platform (D04-1194) Parts List

Ref #	Part #	Description	Qty
1	6FOOTRFBFT	6' BFT Roll Form Ladder Assembly	1
2	D01-2806	Handrail, Portable Rear Platform Lower	1
3	D01-2847	2' Handrail Intermediate	3
4	D01-3333	Lower Brace Right Side	1
5	D01-3334	Lower Brace Left Side	1
6	D01-3335	Lower Platform Plank Support Side	6
7	D01-3336	Lower Platform Plank Support Center	4
8	D01-3337	Lower Platform Plank	3
9	D01-3338	Lower Platform Rear Brace	2
10	D01-3339	Lower Platform Rail End	2
11	D01-3340	Lower Platform Rail Middle	3
12	D01-3341	Lower Platform Ladder Bracket Left	1
13	D01-3342	Lower Platform Ladder Bracket Right	1
14	D01-2805-BS	Handrail, Portable Rear Platform Upper - Bin Silver	2
15	D01-2848-BS	2' Handrail Top - Bin Silver	2
16	D04-0998	Portable 3 PC Roll Formed Ladder Bracket Assembly	1
17	LDR-5218	Ladder Safety Gate	1
18	LDR-5161-BS	Formed Ladder Flare	2
19	S-6620	Screw, MS 5/16"-18 x 3/4" THS ZN Clear Grade 5	66
20	S-7486	Flange Bolt 3/8"-16 x 1-1/2" JS500 Grade 8 or 8.2 Full Thread	8
21	S-7489	Hex Nut 3/8"-16 JS500 Grade 5	8
22	S-10268	Flange Nut 5/16"-18 JS500 Grade 5	168
23	S-6606	Flange Bolt 5/16"-18 x 3/4" ZN Clear Grade 5	78
24	S-7470	Flange Bolt 5/16"-18 x 1" ZN Grade 5	8
25	S-7877	Bolt, HHCS 5/16"-18 x 2" ZN Grade 5	16

## Attaching the Rear Platform to the Portable Dryer

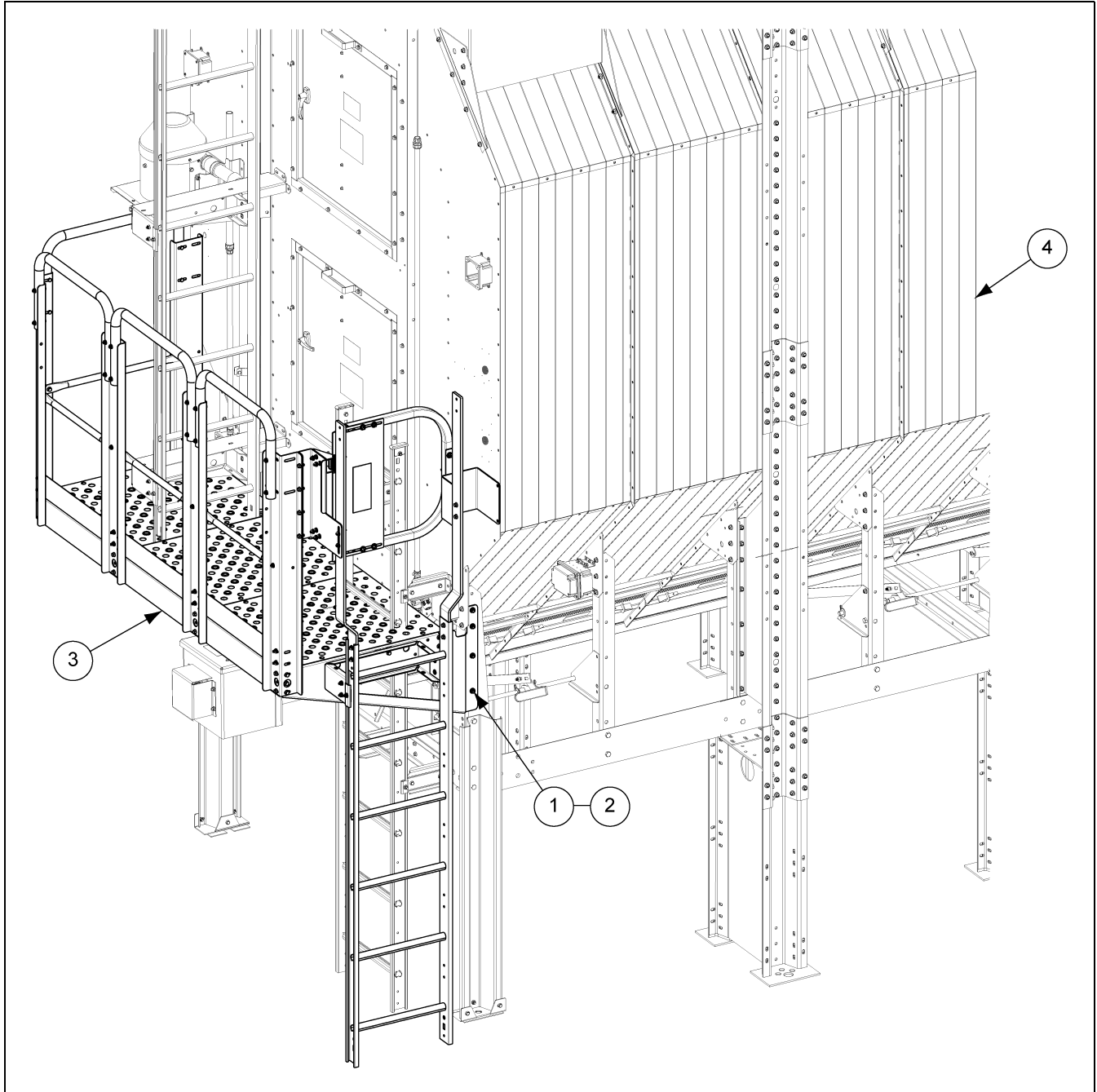


Figure 7 Attaching the Rear Platform to the Portable Dryer

Ref #	Part #	Description
1	S-7486	Flange Bolt 3/8"-16 x 1-1/2" JS500 Grade 8 or 8.2 Full Thread
2	S-7489	Hex Nut 3/8"-16 JS500 Grade 5
3	D04-1194	Portable Dryer Lower Rear Access Platform
4		Portable Dryer Assembly