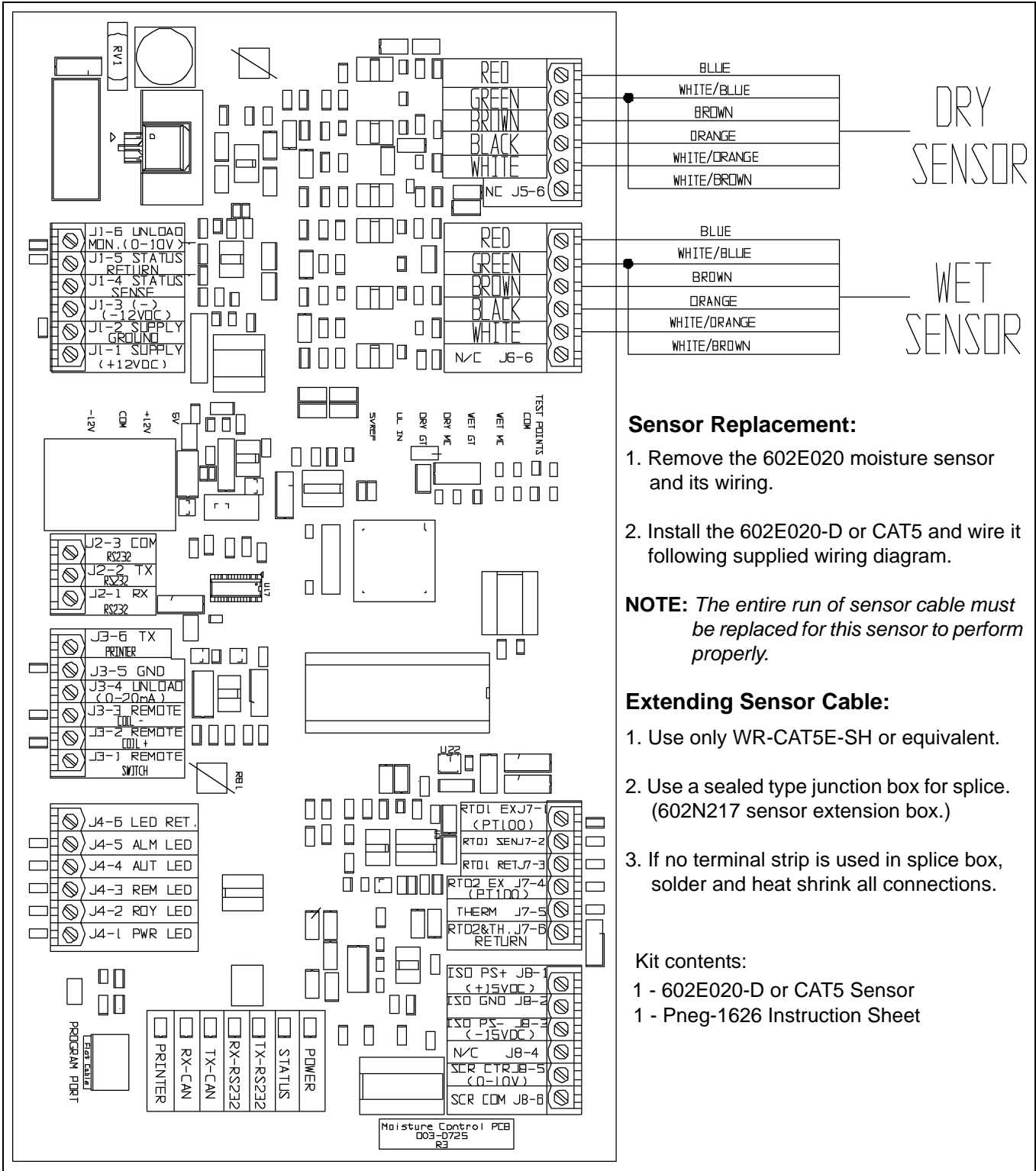




**Instructions for replacing a regular 602E020 moisture sensor with a “Low Noise” 602E020-D or CAT5 moisture sensor**



**Sensor Replacement:**

1. Remove the 602E020 moisture sensor and its wiring.
2. Install the 602E020-D or CAT5 and wire it following supplied wiring diagram.

**NOTE:** The entire run of sensor cable must be replaced for this sensor to perform properly.

**Extending Sensor Cable:**

1. Use only WR-CAT5E-SH or equivalent.
2. Use a sealed type junction box for splice. (602N217 sensor extension box.)
3. If no terminal strip is used in splice box, solder and heat shrink all connections.

**Kit contents:**

- 1 - 602E020-D or CAT5 Sensor
- 1 - Pneg-1626 Instruction Sheet

