



These instructions are for the 24" door kits (GT4-1553) and the 29" door kits (GT4-1552). (See Figure 1.)

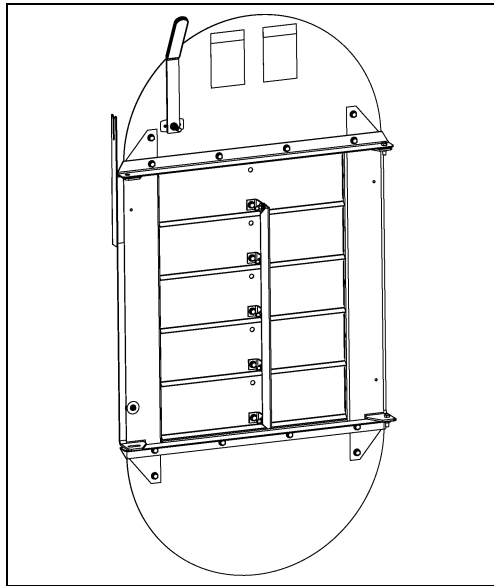


Figure 1 24" Door Shown

1. Install the louvered door latch handle (C) and the locking door handle (E) at the same time to the top panel (D) using 3/8" washer (B) and nut (A). (See Figure 2.)

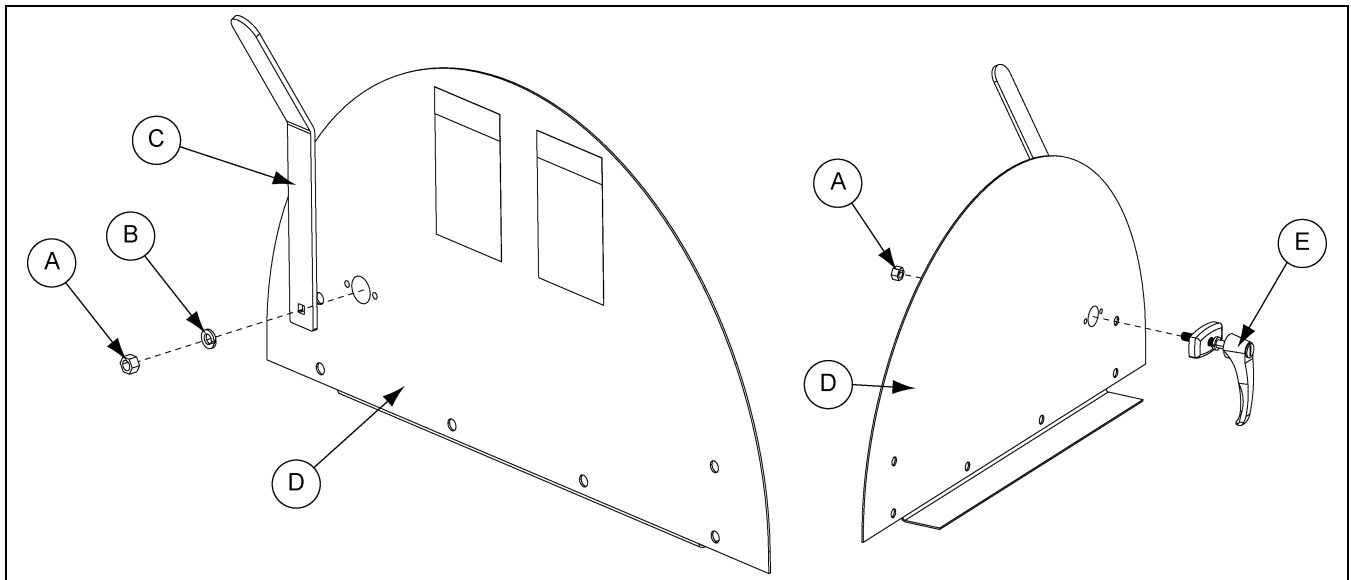


Figure 2

Ref #	Part #	Description
A	S-7173	Hex Nut 3/8"-24 ZN Grade 2
B	S-1054	Split Lock Washer 3/8" ZN Clear
C	GT1-2445	Louvered Door Latch Handle

Ref #	Part #	Description
D	GT4-1556	24" Top Panel with Decal
D	GT4-1555	29" Top Panel with Decal
E	GT3-1678	Handle, Door Non-Locking C CW

Date: 08-18-16 V1.1



Tower Louvered Section Door Latch Kit Installation

2. Remove the old top panel from the door.
3. Install the top panel (D) with the latch handle using the same bolts (F) and nuts (G). *(See Figure 3.)*

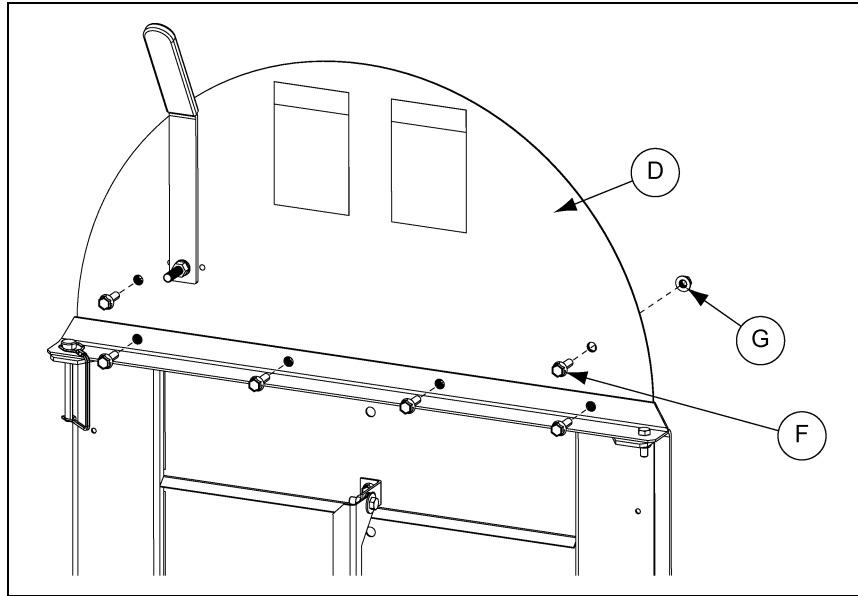


Figure 3

Ref #	Part #	Description
D	GT4-1556	24" Top Panel with Decal
D	GT4-1555	29" Top Panel with Decal

Ref #	Part #	Description
F	S-7470	Flange Bolt 5/16"-18 x 1" ZN Grade 5
G	S-10268	Flange Nut 5/16"-18 JS500 Grade 5

4. Remove the locking pins (H). *(See Figure 4.)*

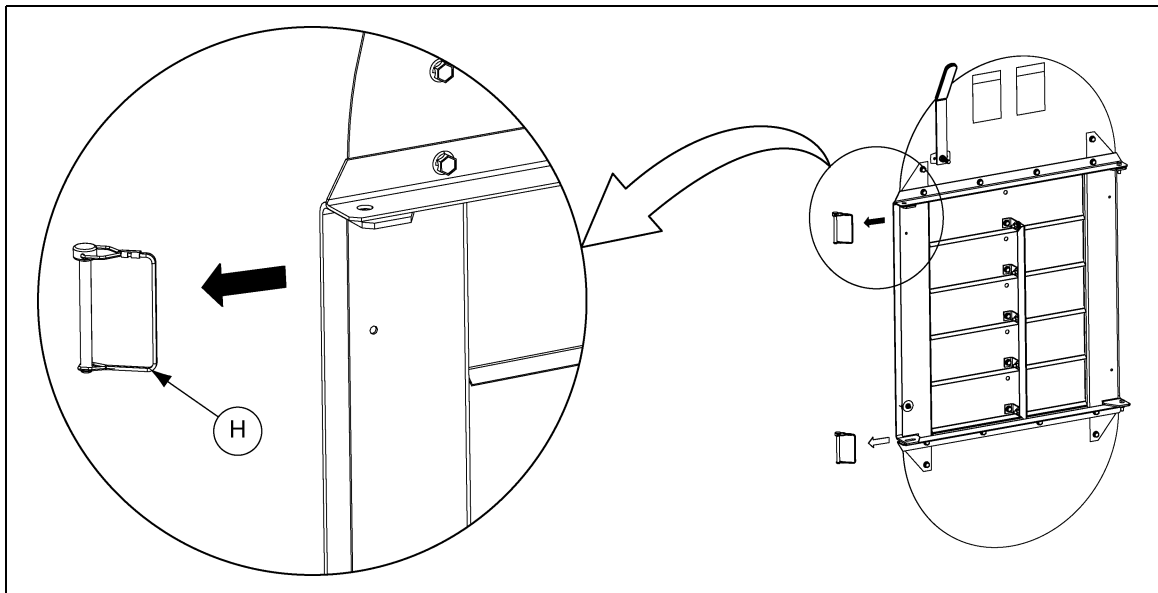


Figure 4

Ref #	Description
H	Locking Pins

Tower Louvered Section Door Latch Kit Installation

5. Install the louvered door latch hook (I) to the louver door hinge (J) using the 5/16" bolts (F) and nuts (G). (See Figure 5.)

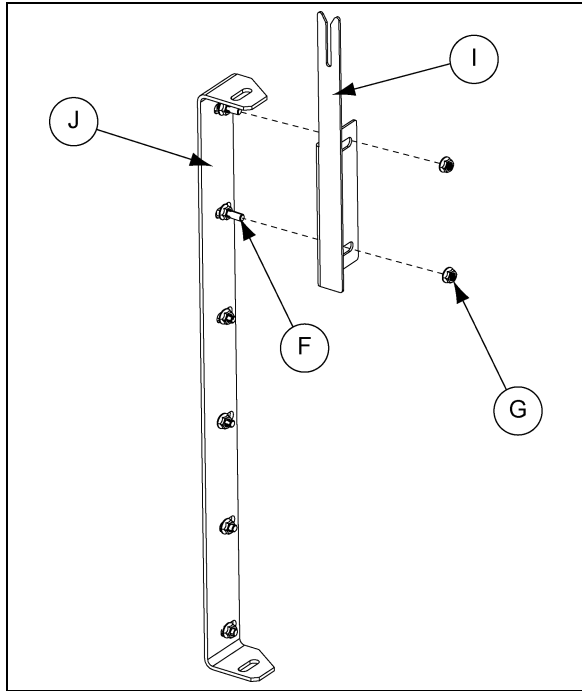


Figure 5

Ref #	Part #	Description
F	S-7470	Flange Bolt 5/16"-18 x 1" ZN Grade 5
G	S-10268	Flange Nut 5/16"-18 JS500 Grade 5
I	GT1-2446	Louvered Door Latch Hook
J	GT1-0638-A	Hinge Louver Door Window Side-NS

6. Install the magnet (L) to the louver door hinge (J) using the screw (K) and nut (M). (See Figure 6.)

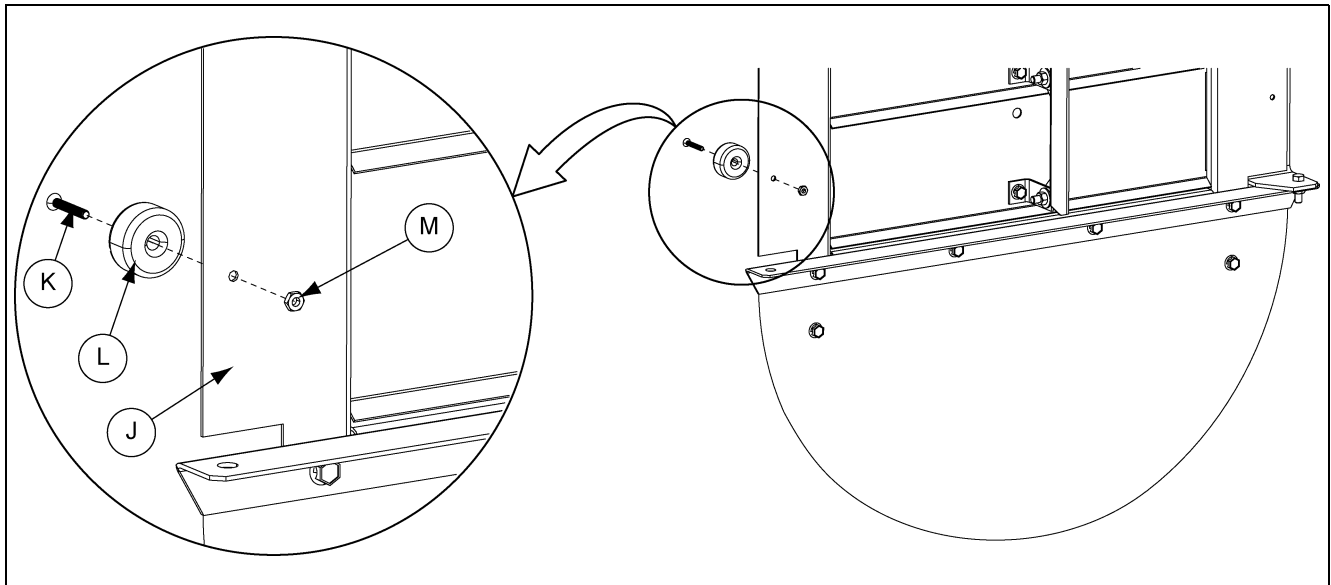


Figure 6

Ref #	Part #	Description
J	GT1-0638-A	Hinge Louver Door Window Side-NS
K	S-10376	Screw, MS #10-32 x 1-1/4" FHP ZN
L	GT3-1200	Magnet, Door Holder RD
M	S-4334	Hex Nut #10-32 ZN Grade 2