



These instructions are for installing the heat door latch kit (GT4-1554) to a Tower Dryer. (See Figure 1.)

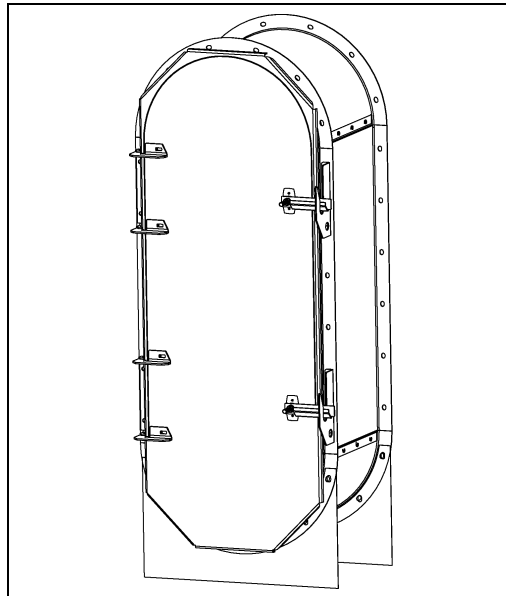


Figure 1 Heat Door

1. Install the door catch (C) to the door frame by using the 5/16" bolts (A) and nuts (B). (See Figure 2.)

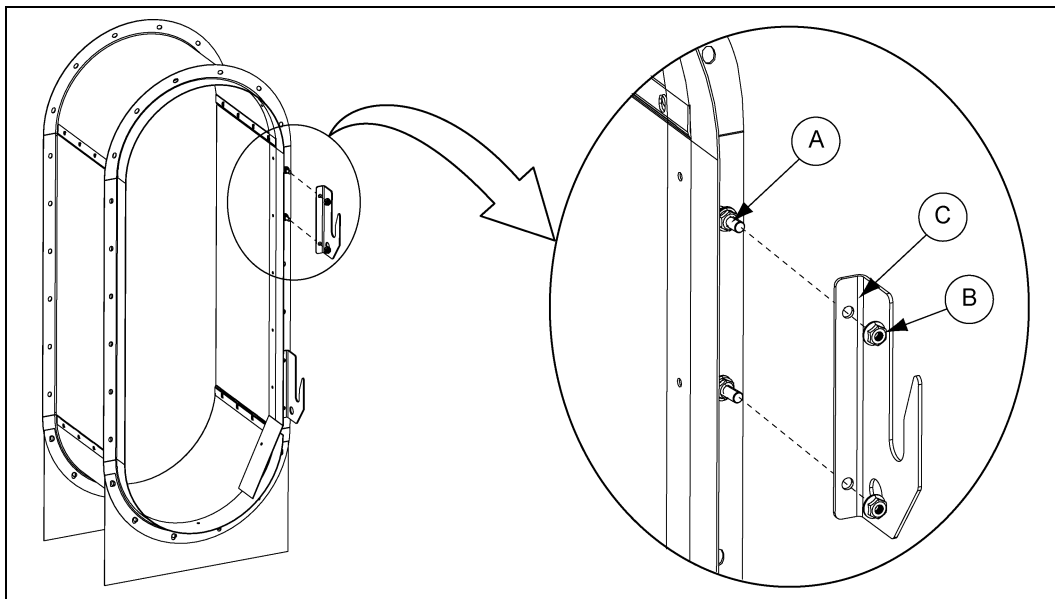


Figure 2

Ref #	Part #	Description
A	S-7470	Flange Bolt 5/16"-18 x 1" ZN Grade 5
B	S-10268	Flange Nut 5/16"-18 JS500 Grade 5
C	GT1-2426	Door Catch, Tower/Mod Heat Section

Date: 08-26-15



Tower Heat Section Door Latch Kit Installation

2. Remove old heat section door and install the new heat section door (E) using the same hardware. (See Figure 3.)

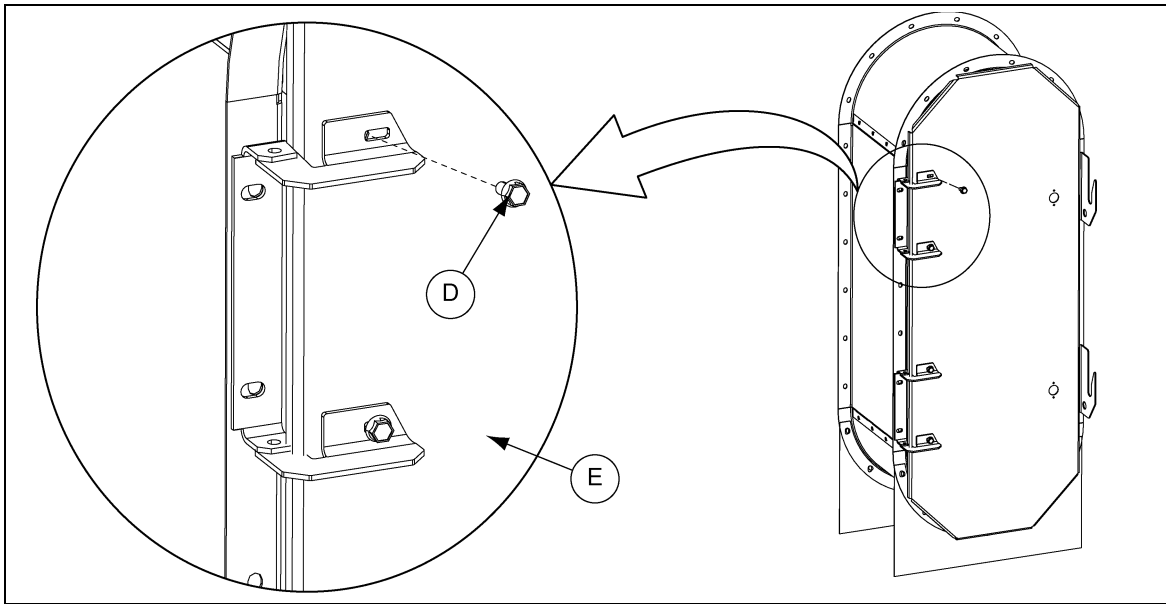


Figure 3

Ref #	Part #	Description
D	NA	Reuse Hardware
E	GT4-1557	Heat Section Door Panel with Decal

3. Install the locking door handle (F) through the heat section door (E). (See Figure 4.)

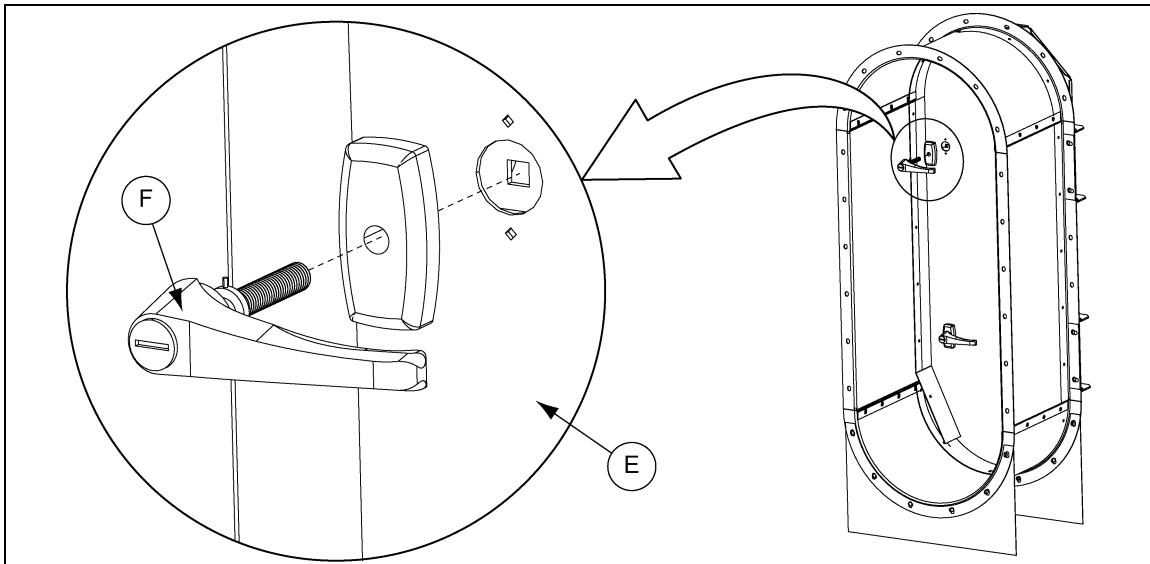


Figure 4

Ref #	Part #	Description
E	GT4-1557	Heat Section Door Panel with Decal
F	D03-0512	Handle, Door Locking CCW

Tower Heat Section Door Latch Kit Installation

4. Fasten the locking door handle (F) to the plenum door latch (I) using a washer (G) and nut (H).
(See Figure 5.)

NOTE: Ensure the door is tight against the door frame. Extra washers are included in the kit to allow for adjustment.

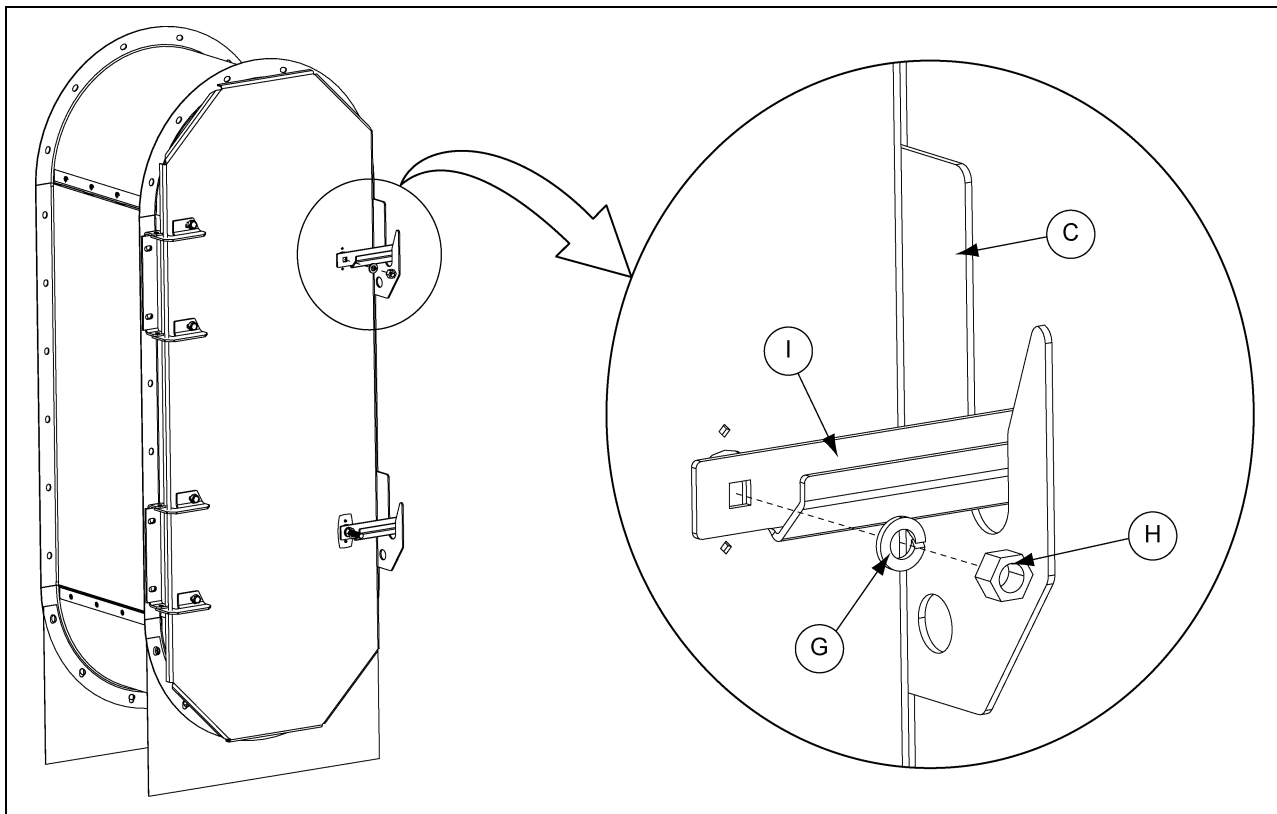


Figure 5

Ref #	Part #	Description
C	GT1-2426	Door Catch, Tower/Mod Heat Section
G	S-1054	Split Lock Washer 3/8" ZN Clear
H	S-7173	Hex Nut 3/8"-24 ZN Grade 2
I	D04-0900	Plenum Door Latch