

## CAS-01 COLLECT-A-SAMPLE KIT FIELD INSTALLATION INSTRUCTIONS

The Collect-A-Sample feature is designed to allow easy and safe sampling of grain being discharged from a Farm Fans dryer. This accessory is available in both factory and field installed versions.

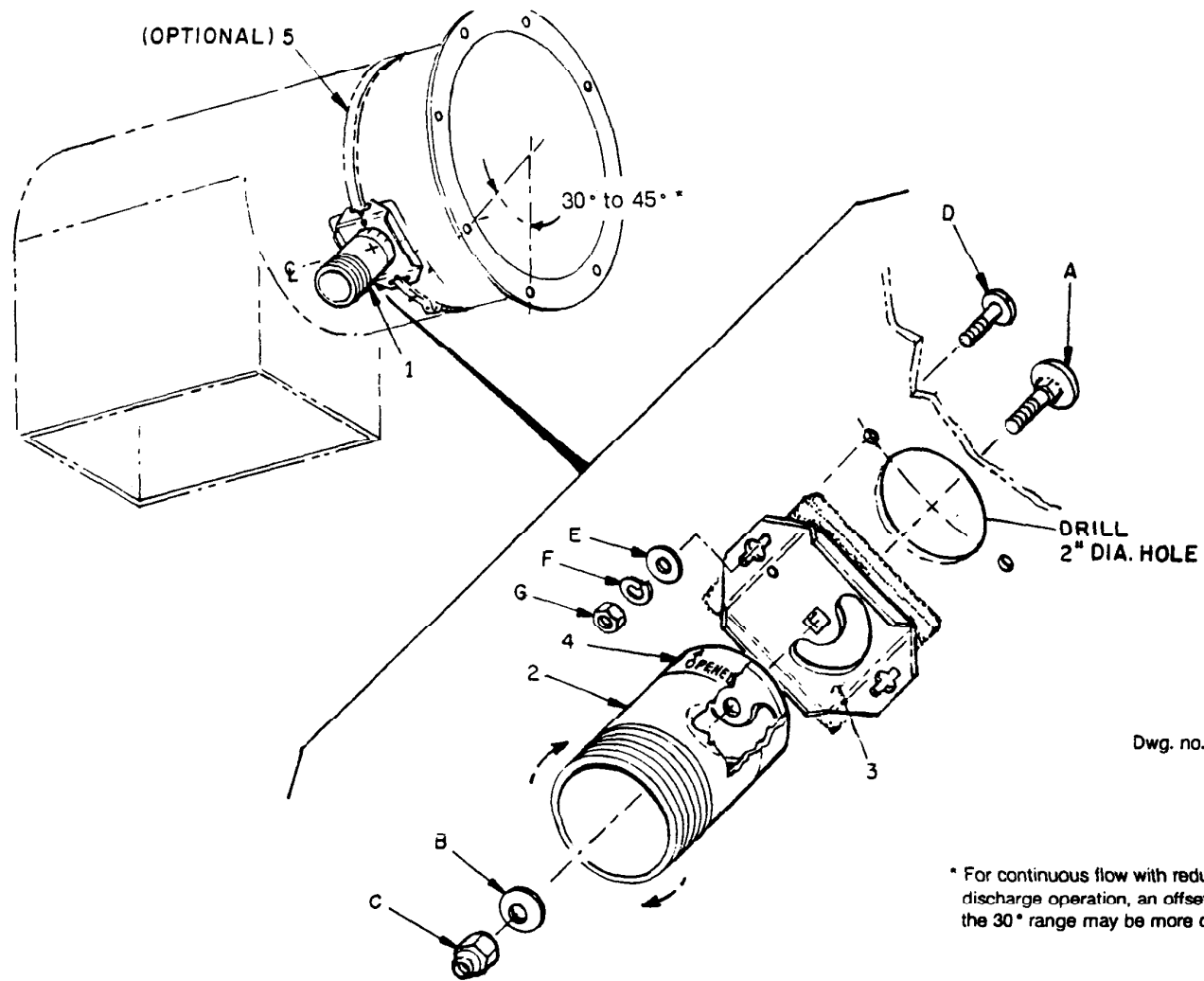
To operate the installed Collect-A-Sample, simply rotate the tube; rotating 180° yields maximum discharge.

### Installation:

- After selecting a convenient and accessible mounting location, position the Collect-A-Sample unit against the discharge tube assembly with an offset of approximately 45°. Figure 1 shows a suggested mounting location. For continuous flow applications, it may be desirable to locate the Collect-A-Sample in a more downward position, with an offset of approximately 30° to compensate for reduced auger capacity.
- Using the Collect-A-Sample as a template, drill two mounting holes and one 2" diameter hole in the discharge tube assembly. (A hole saw can be used to drill the 2" hole.)
- Mount the preassembled Collect-A-Sample unit using provided hardware. Ensure the unit is right-side-up by checking that orientation matches that shown in fig. 1.

Inspect the newly installed Collect-A-Sample by setting it in the fully open position and checking for any blockage. If necessary, remove any portion of the foam gasket that might obstruct grain flow. Be sure to periodically inspect and clean the Collect-A-Sample unit.

An optional clamp is available which allows easier installation by eliminating the need for the two mounting bolts and holes. (See item 5 in fig. 1.)



Dwg. no. 3B-0019

\* For continuous flow with reduced discharge operation, an offset in the 30° range may be more desirable.

Figure 1. Collect-A-Sample kit.

COLLECT-A-SAMPLE PARTS LIST			
ITEM	PART NO.	DESCRIPTION	QTY.
1	CAG-01	Collect-A-Sample Assembly	1
2	410-1289-9	Tube Weldment	1
3	406-1241-B	Base Assembly	1
4	420-1171-8	Decal	1
5	400-1242-0	Clamp (optional)	1
A	090-1291-5	5/16 - 18 x 3/4 Carriage Bolt	1
B	090-1406-9	5/16 - Belleville Washer	1
C	091-1061-1	5/16 - 18 ESNA Locknut	1
D	090-1131-3	1/4 - 20 x 3/4 Truss Hd Screw	2
E	092-1006-3	1/4 - Flat Washer	2
F	092-1025-3	1/4 - Split Lock Washer	2
G	091-1036-2	1/4 - 20 Hex Nut	2