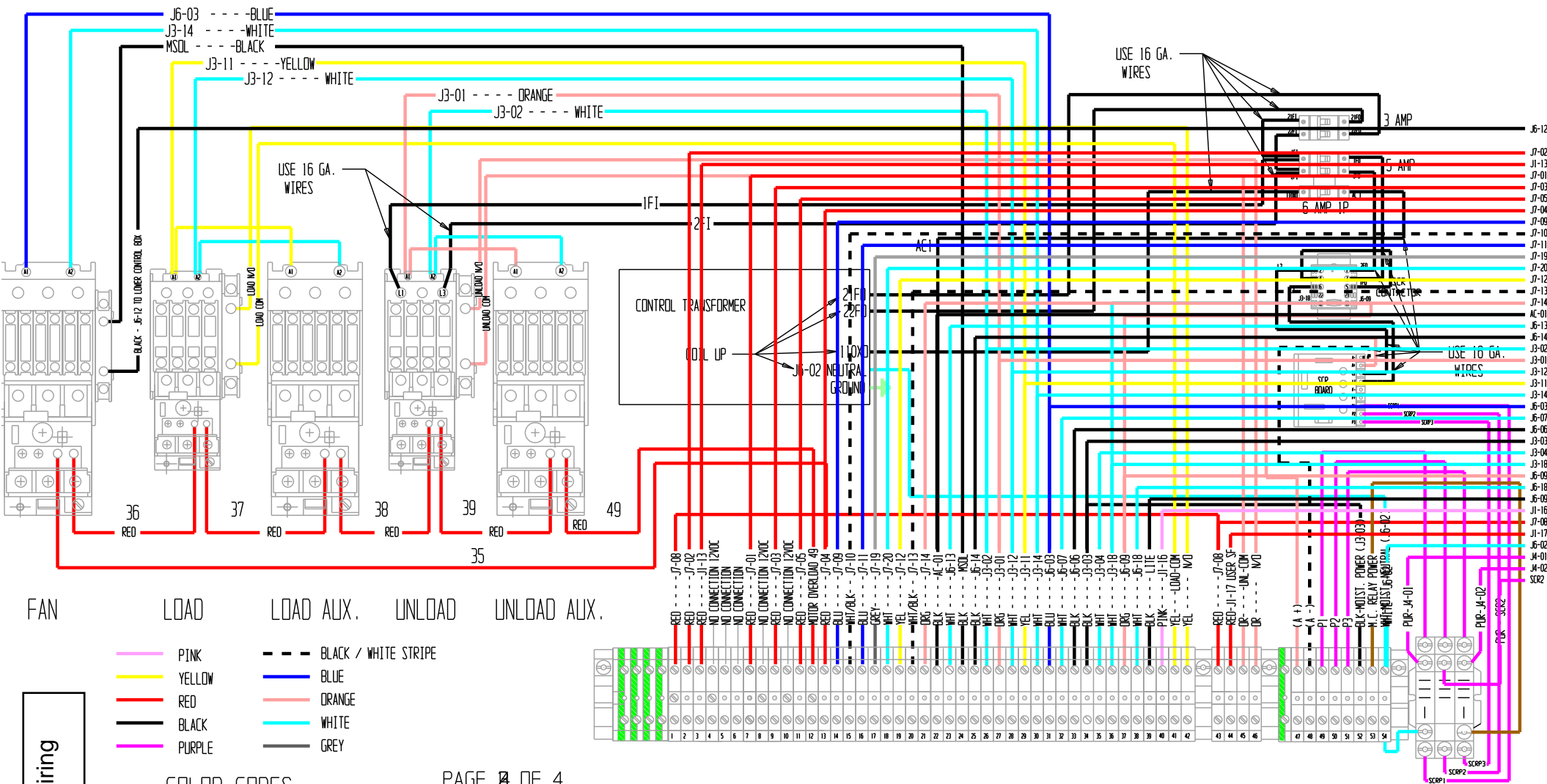
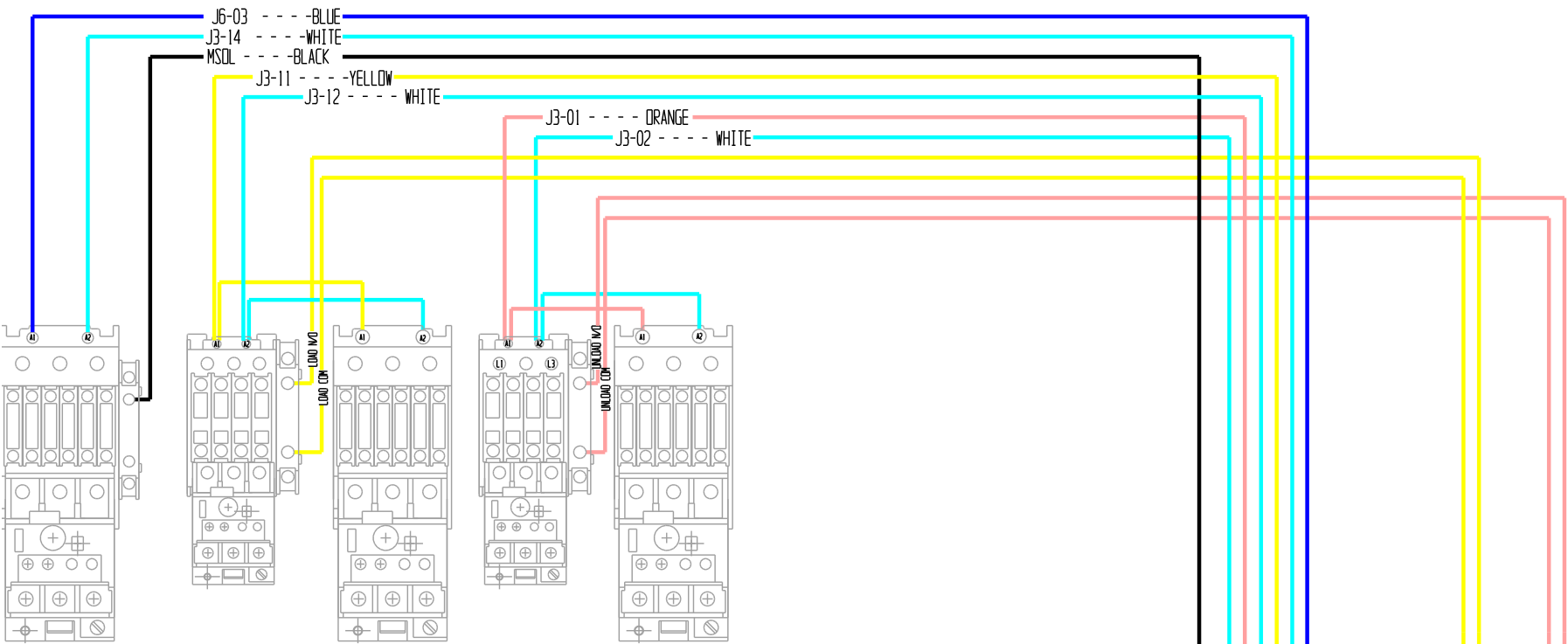


All Upper Control Wiring



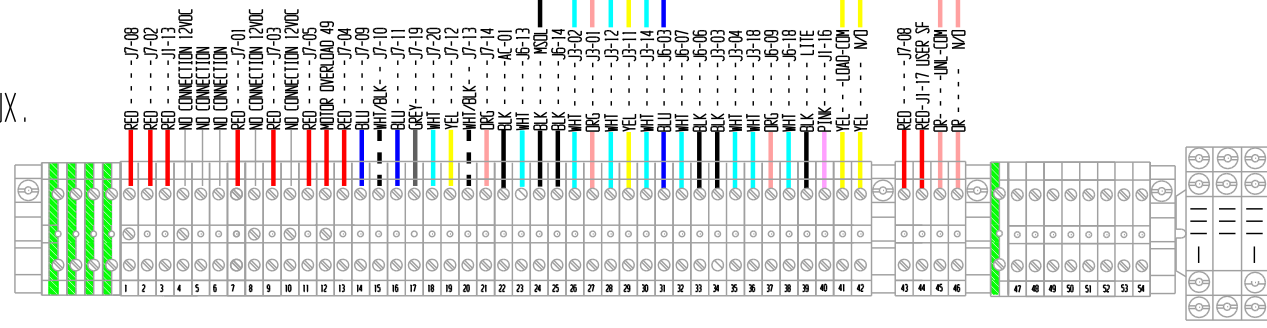


FAN      LOAD      LOAD AUX.      UNLOAD      UNLOAD AUX.

- PINK
- YELLOW
- RED
- BLACK
- PURPLE
- BLACK / WHITE STRIPE
- BLUE
- ORANGE
- WHITE
- GREY

COLOR CODES

Control Wiring  
Upper Control Box

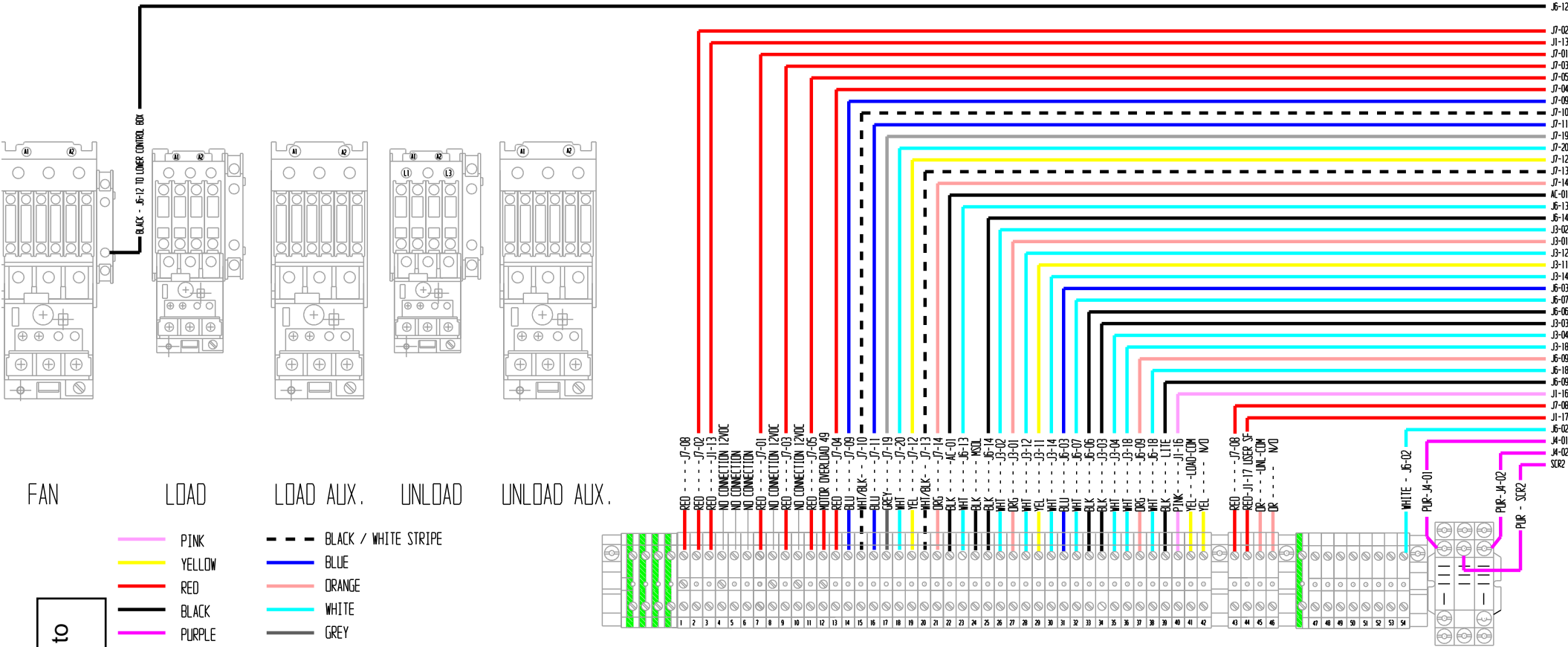


Interconnect Wiring to Lower Control Box

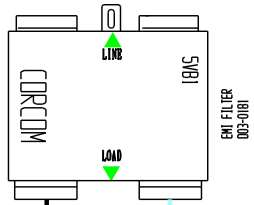
FAN      LOAD      LOAD AUX.      UNLOAD      UNLOAD AUX.

- PINK
- YELLOW
- RED
- BLACK
- PURPLE
- BLACK / WHITE STRIPE
- BLUE
- ORANGE
- WHITE
- GREY

COLOR CODES

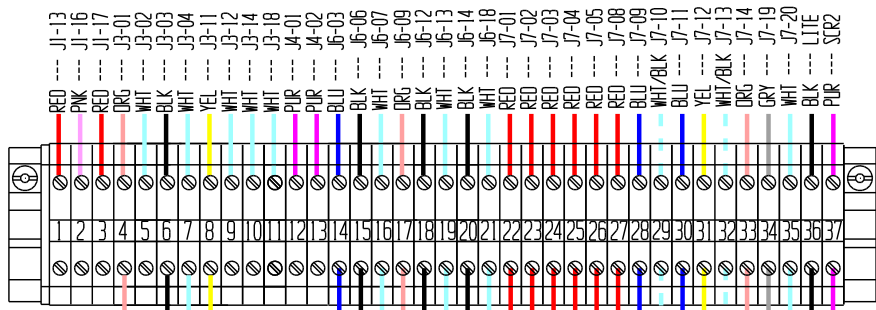


# Lower Box Wiring out to Door



TO DOOR

- AC1
- J6-02
- J3-01
- J3-03
- J3-04
- J3-11
- J6-03
- J6-06
- J6-07
- J6-09
- J6-12
- J6-13
- J6-14
- J6-18
- J7-01
- J7-02
- J7-03
- J7-04
- J7-05
- J7-08
- J7-09
- J7-10
- J7-11
- J7-12
- J7-13
- J7-14
- J7-19
- J7-20
- LITE
- SCR2
- J3-05
- J3-07
- J3-09
- J3-19
- J4-03
- J4-04
- J4-05
- J4-06
- J1-03
- J1-05
- J1-07
- J1-09
- J1-11
- J1-14
- J1-10
- J1-08
- J1-06
- J1-04

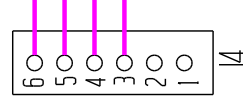
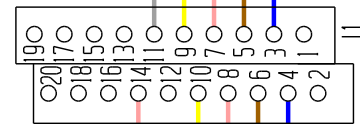


# LOWER BACK PANEL WIRING

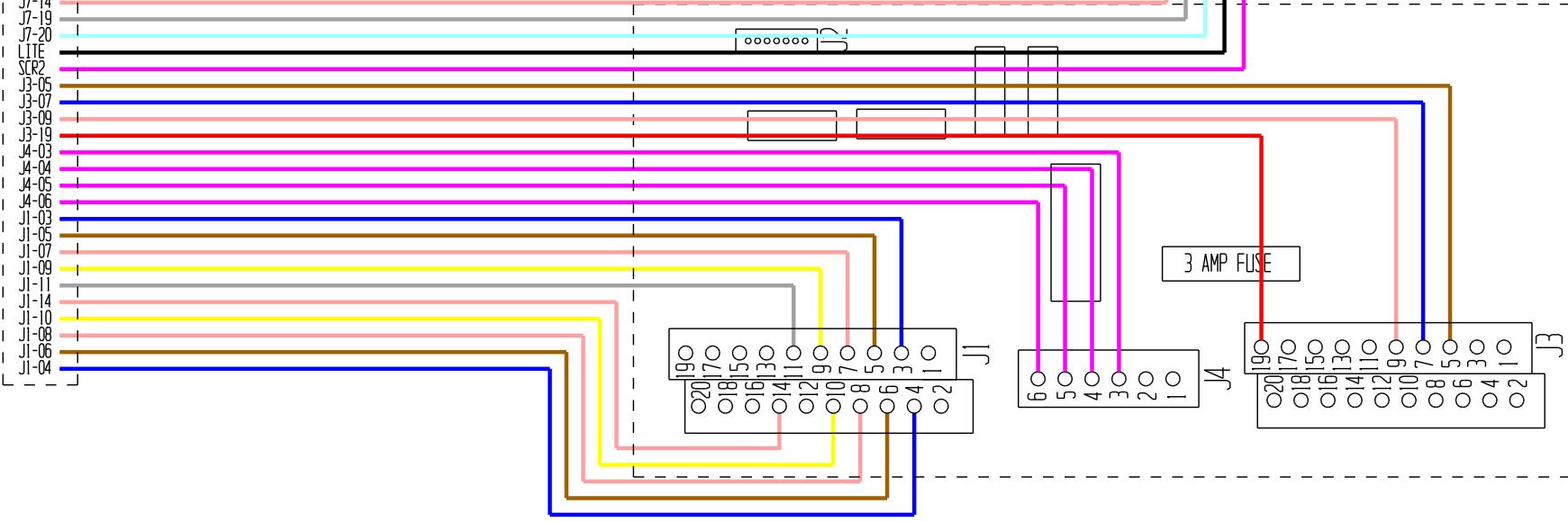
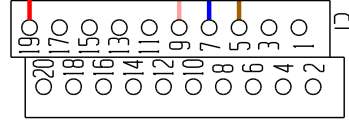
PAGE 2 OF 2  
REV. DATE 1/19/06



- PINK
- YELLOW
- RED
- BLACK
- PURPLE
- BROWN
- WHITE/BLACK STRIPE
- BLUE
- ORANGE
- WHITE
- GREY



3 AMP FUSE









# Wiring from door to CPU

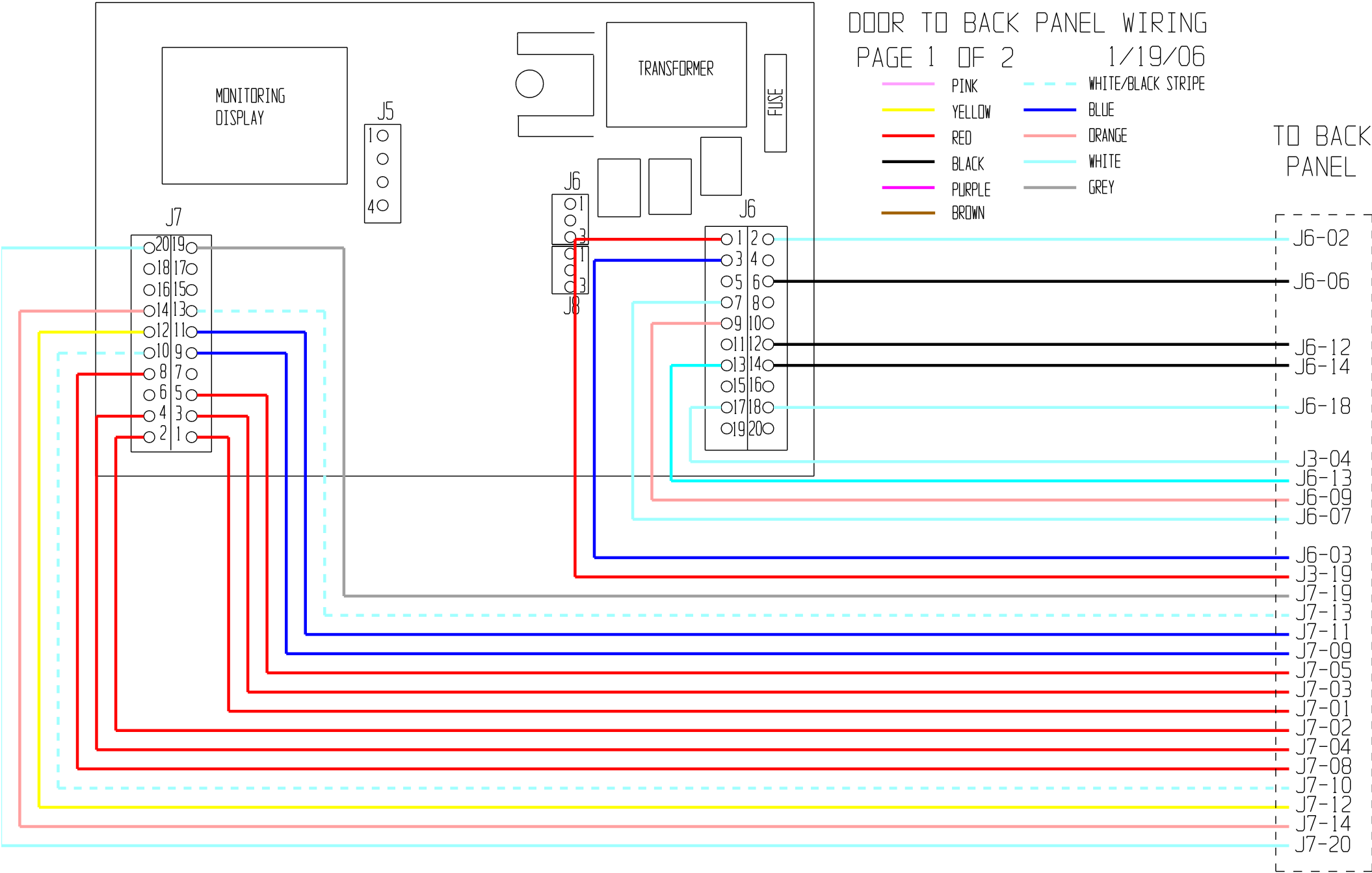
## DOOR TO BACK PANEL WIRING

PAGE 1 OF 2

1/19/06

- |   |        |   |                    |
|---|--------|---|--------------------|
|  | PINK   |  | WHITE/BLACK STRIPE |
|  | YELLOW |  | BLUE               |
|  | RED    |  | ORANGE             |
|  | BLACK  |  | WHITE              |
|  | PURPLE |  | GREY               |
|  | BROWN  |   |                    |

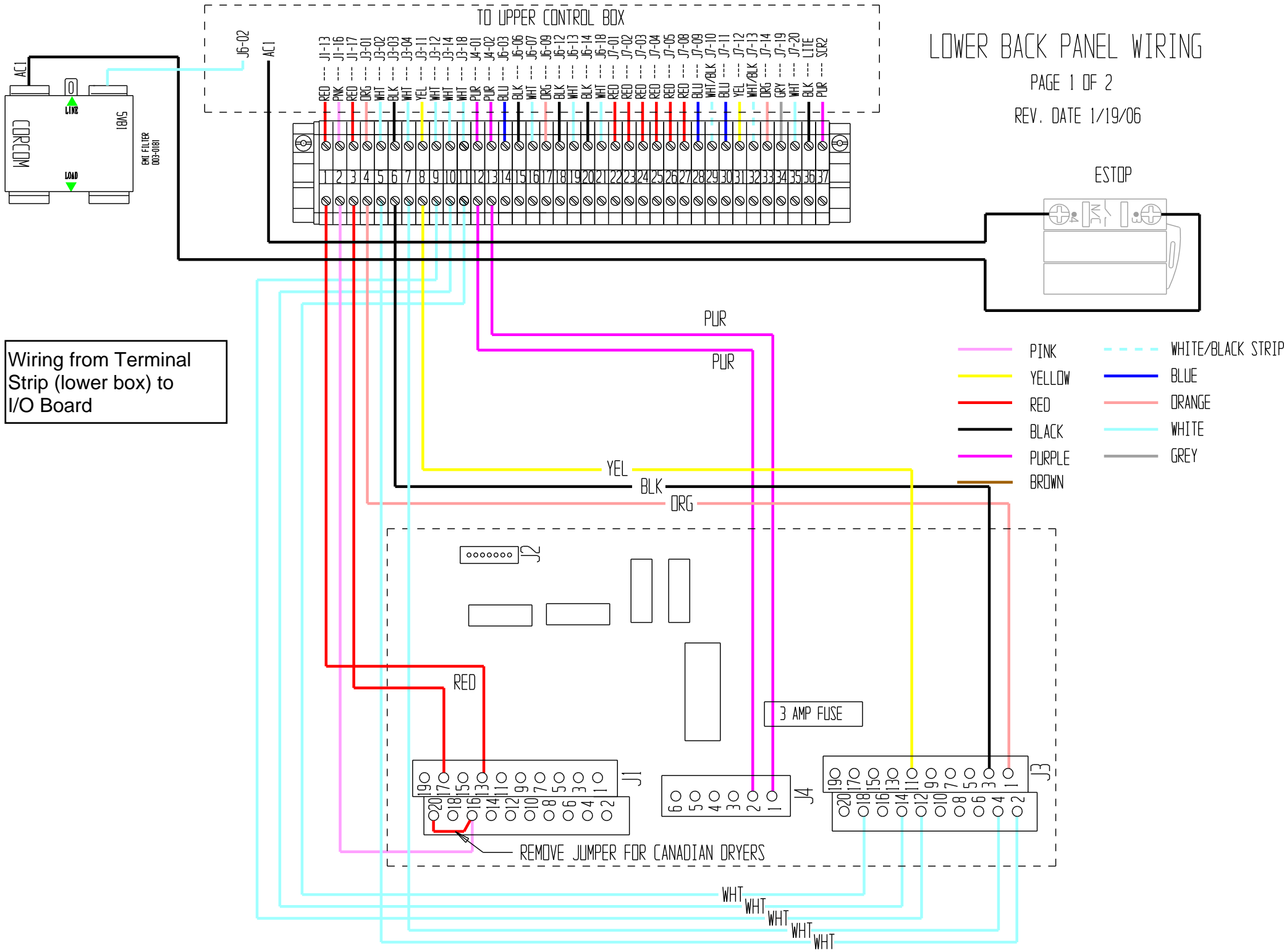
TO BACK  
PANEL



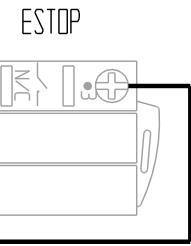
# LOWER BACK PANEL WIRING

PAGE 1 OF 2

REV. DATE 1/19/06



Wiring from Terminal Strip (lower box) to I/O Board

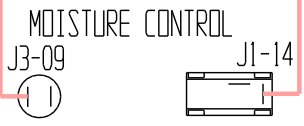


- PINK
- YELLOW
- RED
- BLACK
- PURPLE
- BROWN
- WHITE/BLACK STRIPE
- BLUE
- ORANGE
- WHITE
- GREY

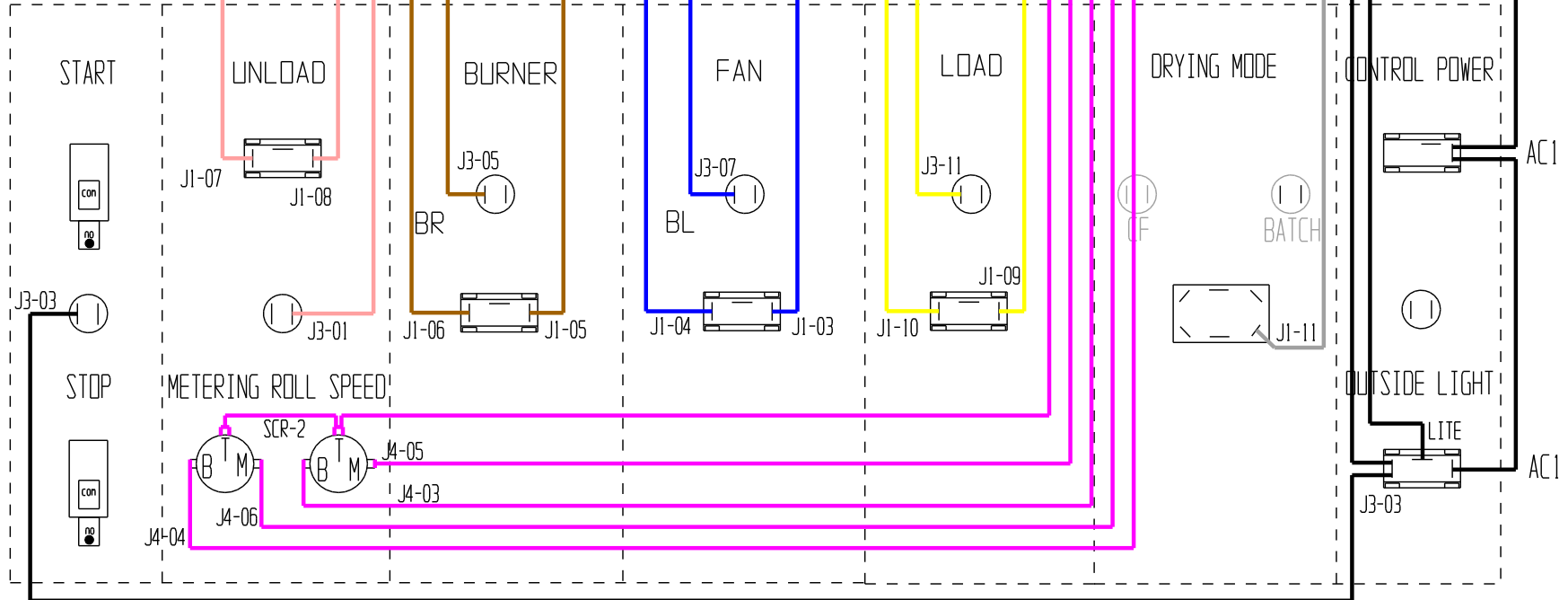
# Switch Wiring

TO BACK  
PANEL

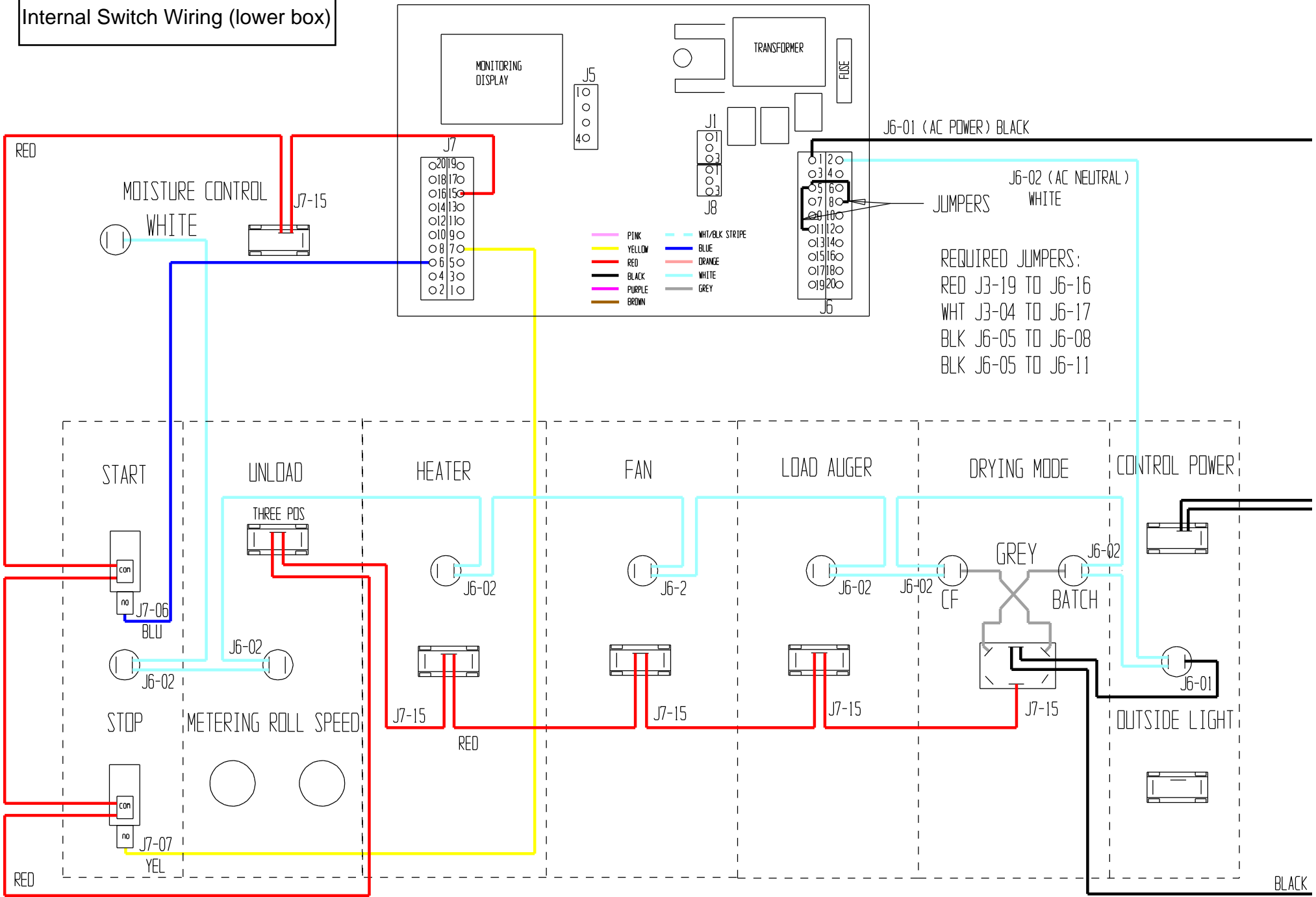
- J3-09
- J1-14
- J1-07
- J1-08
- J3-01
- J1-06
- J3-05
- J1-05
- J1-04
- J3-07
- J1-03
- J1-10
- J3-11
- J1-08
- J3-02
- J4-05
- J4-03
- J4-06
- J4-04
- J1-11
- J3-03
- LITE
- AC1



- PINK
- YELLOW
- RED
- BLACK
- PURPLE
- BROWN
- WHITE/BLACK STRIPE
- BLUE
- ORANGE
- WHITE
- GREY

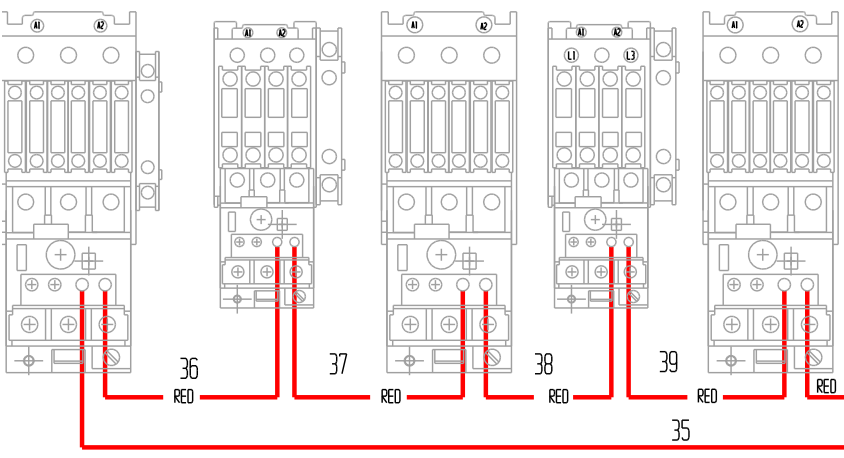


Internal Switch Wiring (lower box)





Safety Wiring (upper control Box)

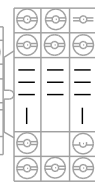
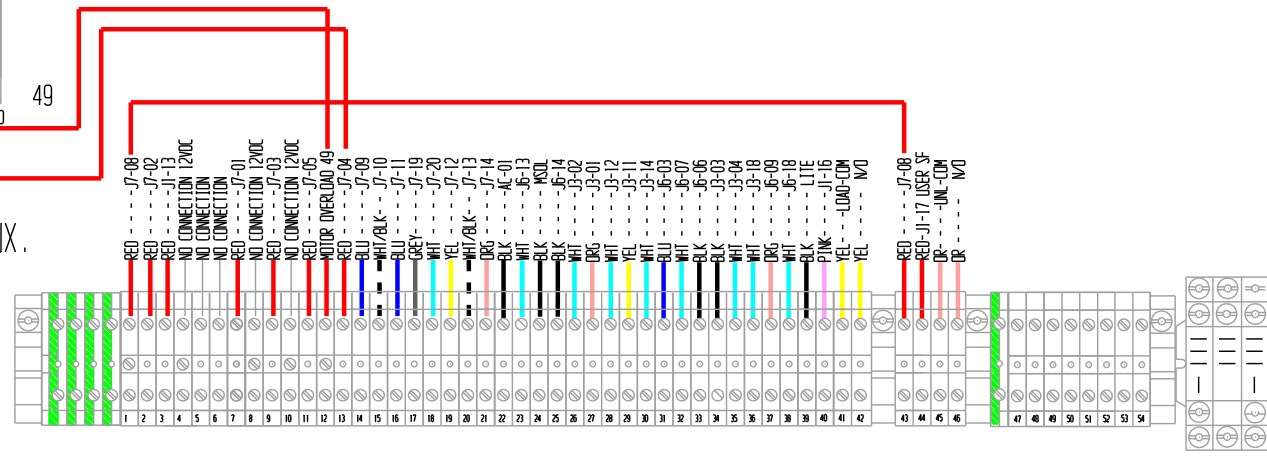


FAN      LOAD      LOAD AUX.      UNLOAD      UNLOAD AUX.

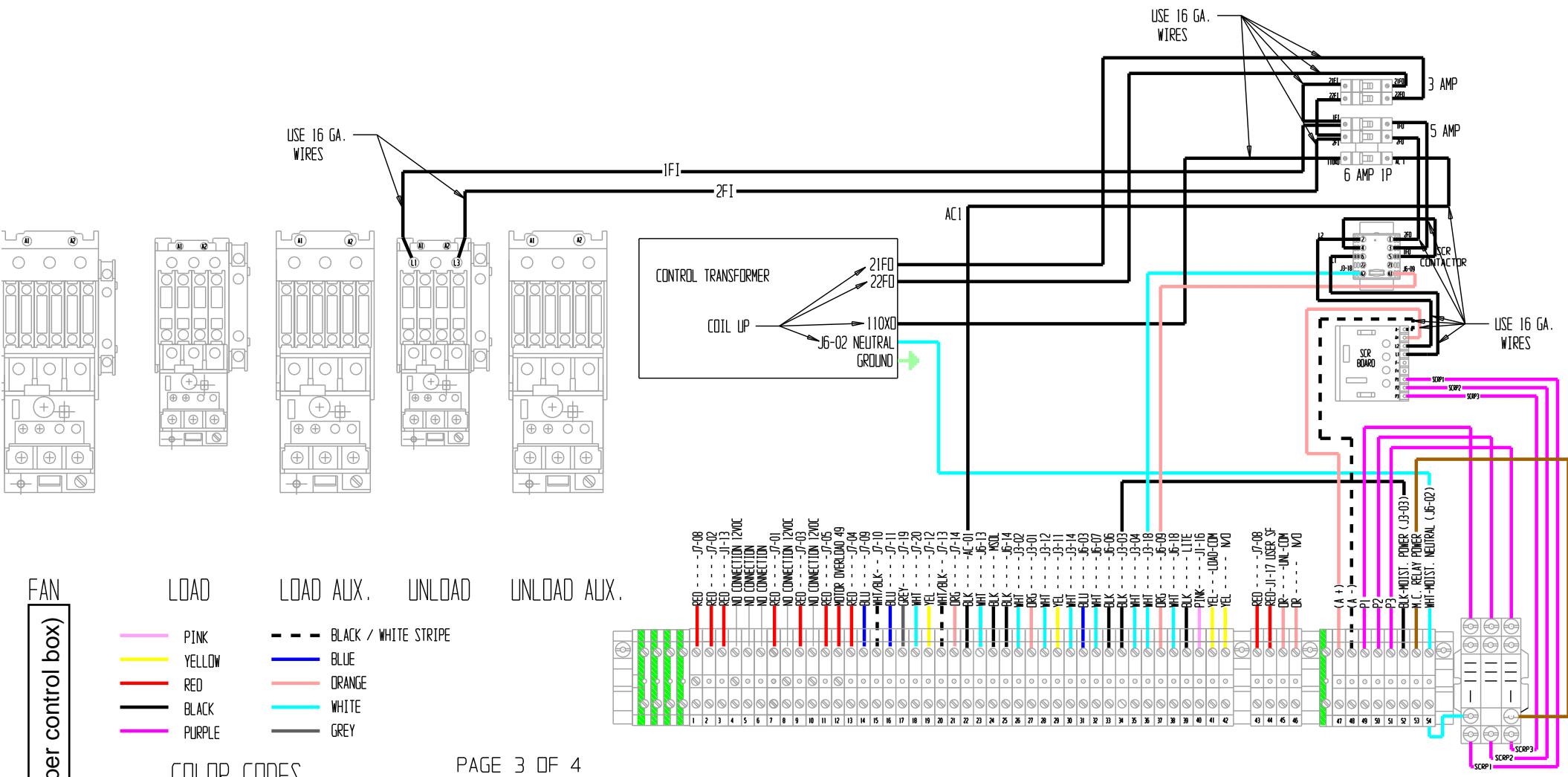
- PINK
- YELLOW
- RED
- BLACK
- PURPLE
- BLACK / WHITE STRIPE
- BLUE
- ORANGE
- WHITE
- GREY

COLOR CODES

PAGE 2 OF 4  
01/11/06 IJF



SCR Drive Wiring (upper control box)



FAN

LOAD

LOAD AUX.

UNLOAD

UNLOAD AUX.

- PINK
- YELLOW
- RED
- BLACK
- PURPLE
- BLACK / WHITE STRIPE
- BLUE
- ORANGE
- WHITE
- GREY

COLOR CODES