

RTK-01 TIMER INSTALLATION INSTRUCTIONS

Plug in type timer replacement kit for either Dry Timer 44-058 and/or Cool Timer 44-057 used on Model DCT-102A.

The plug-in type timer 056-1967-1 with base 55-025 is a direct replacement for either or both of the Deltrol (blue) timers as used in the subject controls. The following steps describe the necessary modifications when making this timer change.

The timer supplied in this kit may be manufactured by either Crouzet or Omron. Although both timers are physically and electrically interchangeable, the appropriate Figure 2 (2A or 2B) should be referred to when identifying the specific timer features and necessary adjustments.

1. Remove the existing timer and mount the Octal Base 55-025 in its place. Mounting holes may have to be drilled.
2. Connect the electrical leads removed from the original timer to the base terminals as shown in Fig. 1. Since timer 056-1967-1 can be used either as a cool timer or a dry timer, use the "Dry" and "Cool" decals to identify the function required. Note that some leads will no longer be used when making this change. They can either be removed and discarded or the bare end sealed with electrician's tape and left in place.
3. Inspect timer 056-1967-1 to make certain that the time range is set on 12 Hrs and the function is properly set. See Fig. 2.
4. The 056-1967-1 timer functions in an identical manner as the original timers. The timing progress, however, is now displayed by an indicator bar (see Fig. 2).
5. When installing the Dry timer, move the #5 red lead from the terminal #5 to terminal #8 on the 1CR relay base.

Replacement Timer Kit RTK-01		
Qty.	Part No.	Item
1	056-1967-1	Timer
1	55-025	Octal Base
1	29-144	Decal Set (Dry / Cool)
2	090-1193-3	8# x 3/8 Lg Pan Head S.T.
1	RTK-01-2	Instruction Bulletin

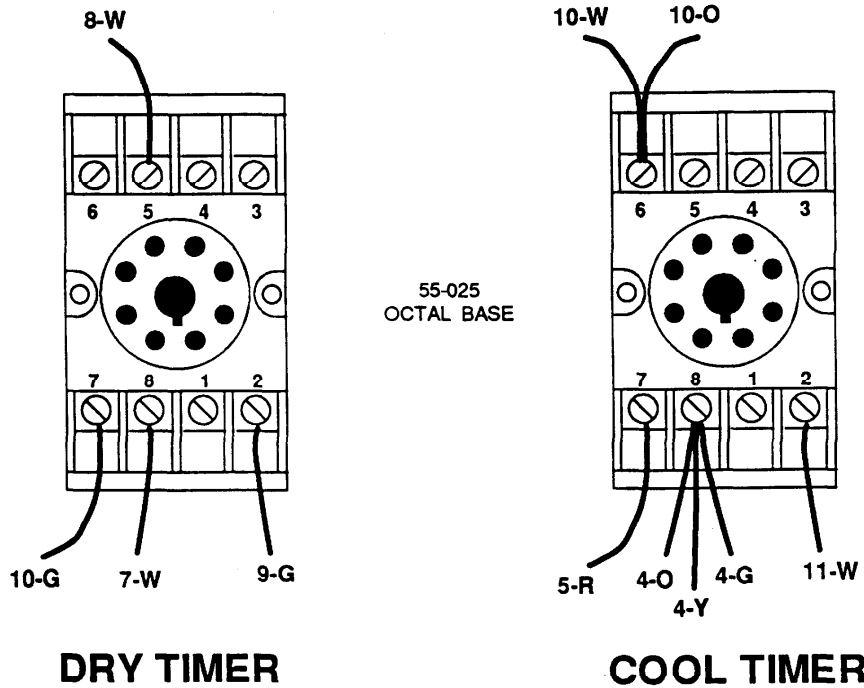


FARM FANS

Division of ffi CORPORATION
5900 ELMWOOD AVE. • INDIANAPOLIS, IN 46203
© 1993 ffi CORPORATION Printed in U.S.A.

FIGURE 1

DCT-102A connection modifications when using 056-1967-1 timers in place of Deltrol timers.



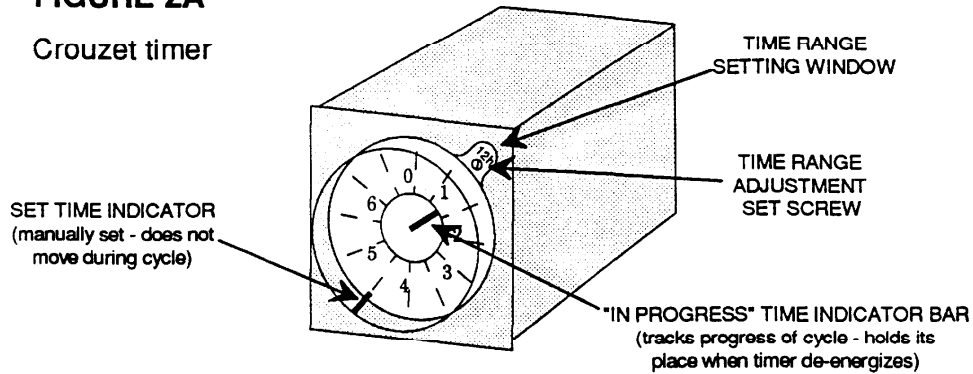
NOTES

- | | CROUZET | OMRON |
|----------------------------|---|--|
| 1. Set timers as follows:: | 1. Memory Off
2. Dry - 12 Hrs.
3. Cool - 60 Min. or 12 Hrs. | 1. Power Freq. - 60 Hz.
2. Dry - 12 Hrs.
3. Cool - 120 Min. or 12 Hrs. |
| 2. | Crouzet scale must be multiplied by 2 when set on the 12-hour range. | |
| 3. | When converting to the 056-1967-1 timer, the following electrical leads will not be used: | |

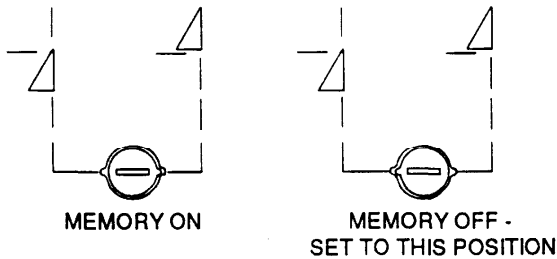
9-ORANGE, 9-BLUE, 10-RED, 4-BLUE

FIGURE 2A

Crouzet timer



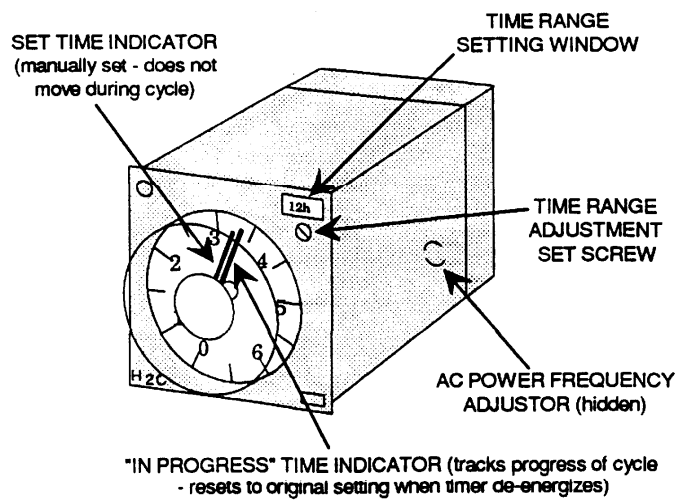
MEMORY ON-OFF SETTING (On bottom of timer)



IMPORTANT: Note that the dial numbers must be multiplied by 2 when setting the timer cycle in hours when the 12-hour range is used.

FIGURE 2B

Omron timer



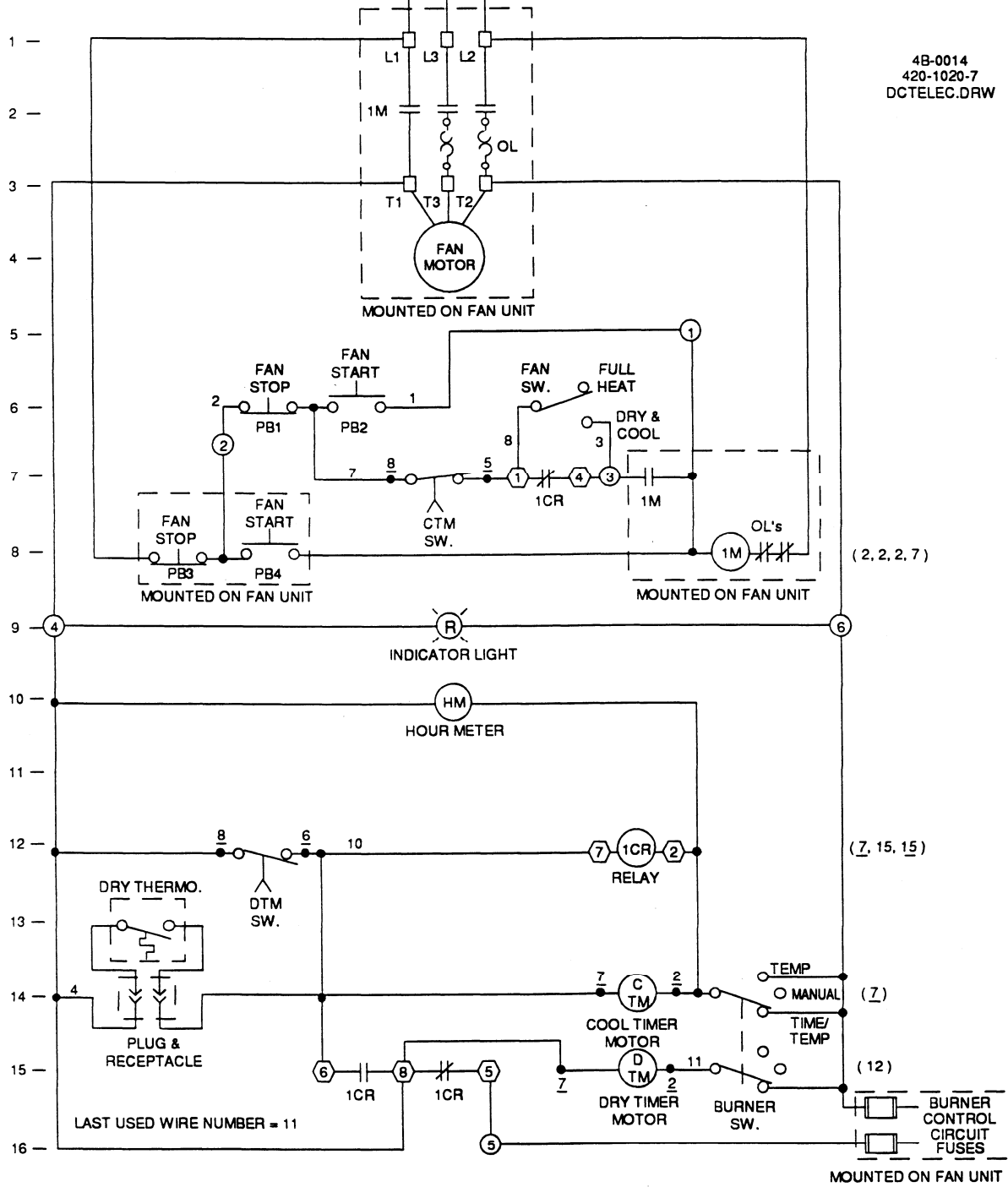
DCTELEC.DRW

DCT-102A CONTROL CIRCUIT SCHEMATIC DIAGRAM

WITH 220V CONTROL CIRCUIT

220V - 3 ϕ - 60 Hz
(FOR 220V-1 ϕ OMIT L3 CONNECTIONS)

4B-0014
420-1020-7
DCTELEC.DRW



ELECTRICAL SYMBOLS			
X	TIMER	⎓	CONTACTS, NORMALLY OPEN (N.O.) - RELAY OR CONTACTOR
□	POWER TERMINAL	⎓	CONTACTS, NORMALLY CLOSED (N.C.) - RELAY OR MOTOR OVERLOAD
○	CONTROL TERMINAL	⎓	OVERLOAD RELAY HEATER
⬡	RELAY TERMINAL	⎓	COIL - RELAY, CONTACTOR
⎓	FUSE	⎓	INDICATOR LIGHT - RED
⎓	PUSH BUTTON (N.O.) MOMENTARY CONTACT	⎓	PLUG AND RECEPTACLE
⎓	PUSH BUTTON (N.C.) MOMENTARY CONTACT	⎓	MOTOR
⎓	TOGGLE SWITCH		
⎓	TIMER CONTACTS (N.O.) - TIMED CLOSING, AFTER TIMER COIL IS ENERGIZED.		
⎓	TIMER CONTACTS (N.C.) - TIMED OPENING, AFTER TIMER COIL IS ENERGIZED.		
⎓	THERMOSTAT (N.O.) - MAKE ON TEMPERATURE RISE.		