

Bucket Elevator

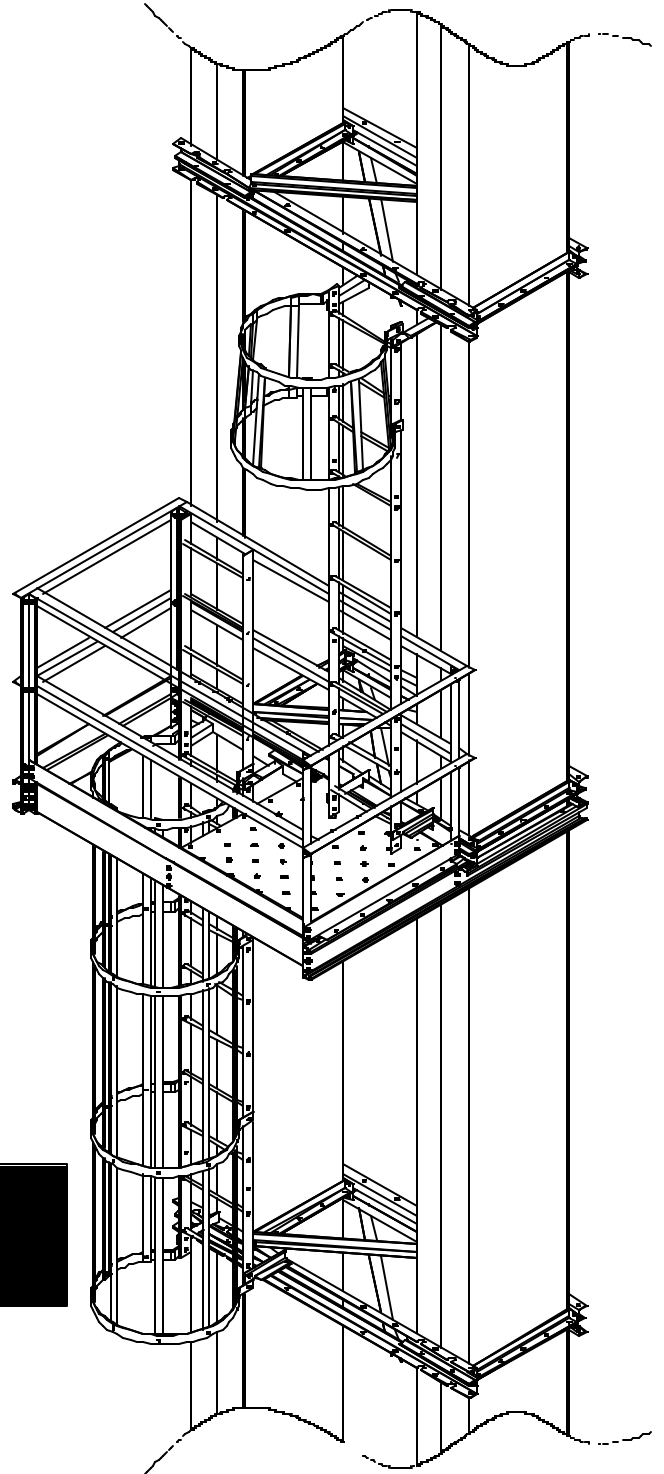
**Safety Cage and
Rest Platform**

Series 2

**Assembly
Manual**

PNEG-679

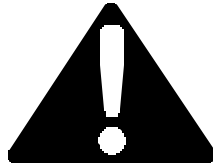
Rev. 2 6/5/01



PNEG-679

SAFETY GUIDELINES

This manual contains information that is important for you, the owner/operator, to know and understand. This information relates to protecting **personal safety** and **preventing equipment problems**. It is the responsibility of the owner/operator to inform anyone operating or working in the area of this equipment of these safety guidelines. To help you



This is the safety alert symbol. It is used to alert you to potential personal injury hazards. Obey all

 **DANGER**

DANGER indicates an imminently hazardous situation which, if not avoided, will result in death or serious injury.

 **WARNING**

WARNING indicates a potentially hazardous situation which, if not avoided, could result in death or serious injury.

 **CAUTION**

CAUTION indicates a potentially hazardous situation which, if not avoided, may result in minor or moderate injury.

CAUTION

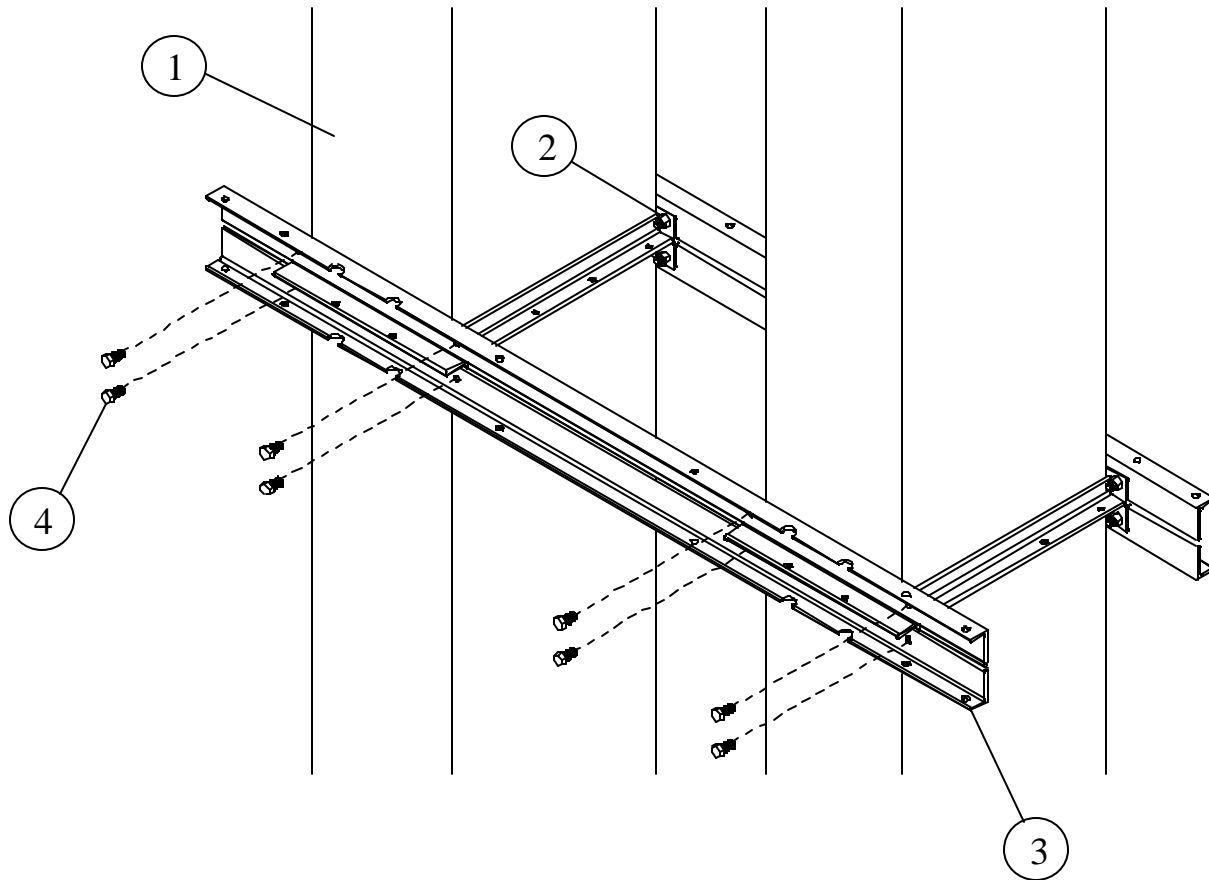
CAUTION used without the safety alert symbol indicates a potentially hazardous situation which, if

NOTE

NOTE indicates information about the equipment that

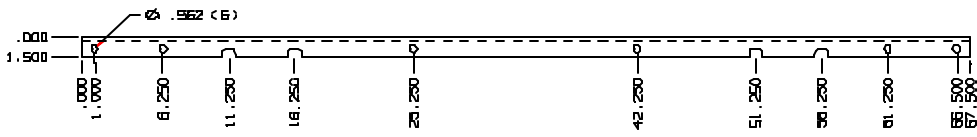
Tie Angle Attachment	4
Tie Angle and Cross Braces	5
Ladder Standoff Attachment	6
Ladder Attachment	7
Safety Cage Hoop Assembly	8
Safety Cage Vertical Bar Attachment	9
Safety Cage Flare Attachment	10
Elevator Ladder Arrangement	11
Rest Platform Assembly	12
Side Mounting Channels	13
Platform Corner Post.....	14
Front and Rear Mounting Channels	15
Center Support Channel.....	16
Rest Platform Deck Plate	17
Top & Mid Handrail.....	18
Kickplates	19
14' Ladder Assembly at Rest Platform	20
14' Ladder Assembly at Head Service Platform	21
30" & 36" Rest Platform Part Specs	22
30" & 36" Rest Platform Part Specs	23
42" & 48" Rest Platform Part Specs	24
42" & 48" Rest Platform Part Specs	25
Warranty.....	26

Attach the up and down legs together with the tie angles. Position the tie angles as shown and fasten with the 1/2"-13x1" bolts.

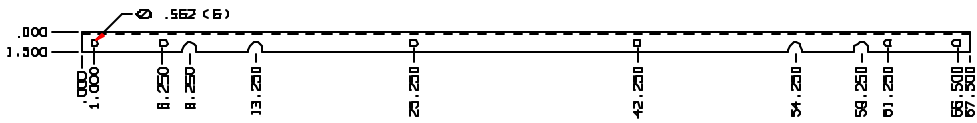


1. Trunking Section
2. 1/2"-13 Hex Nut
3. Tie Angle
4. 1/2"-13x1" Hex Bolt

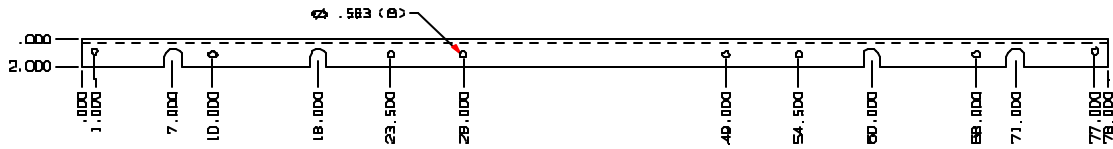
BECT3040 30" Elevator Tie Angle



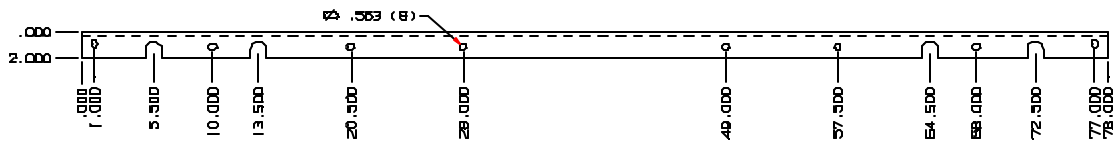
BECT3011 36" Elevator Tie Angle



BECT4211 42" Elevator Tie Angle

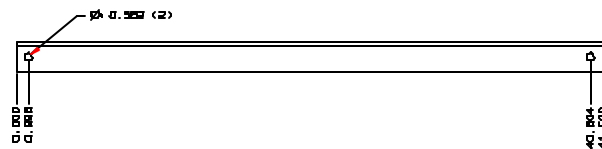


BECT4804 48" Elevator Tie Angle

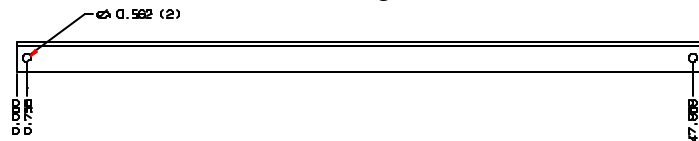


The 42" and 48" elevators have cross braces that brace the two tie angles diagonally. (one per pair of tie angles)

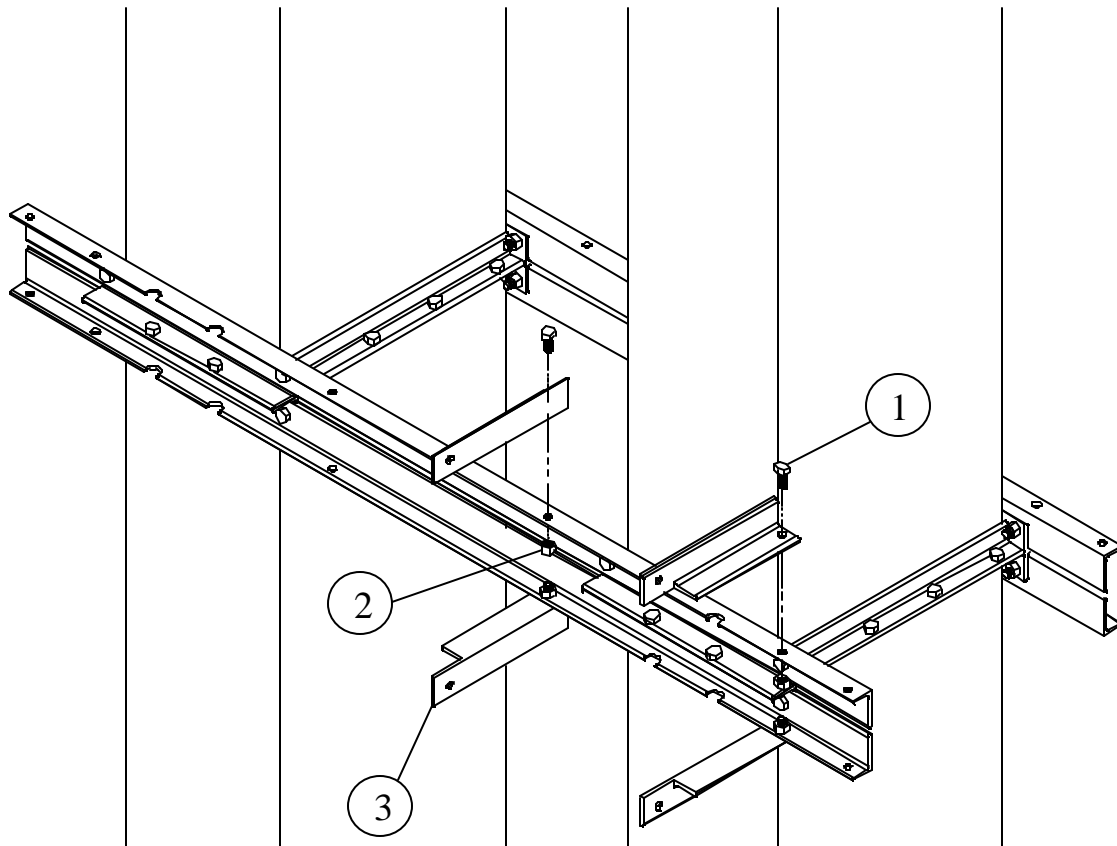
BECT4240 42" Tie Angle Cross Brace



BECT4833 48" Tie Angle Cross Brace

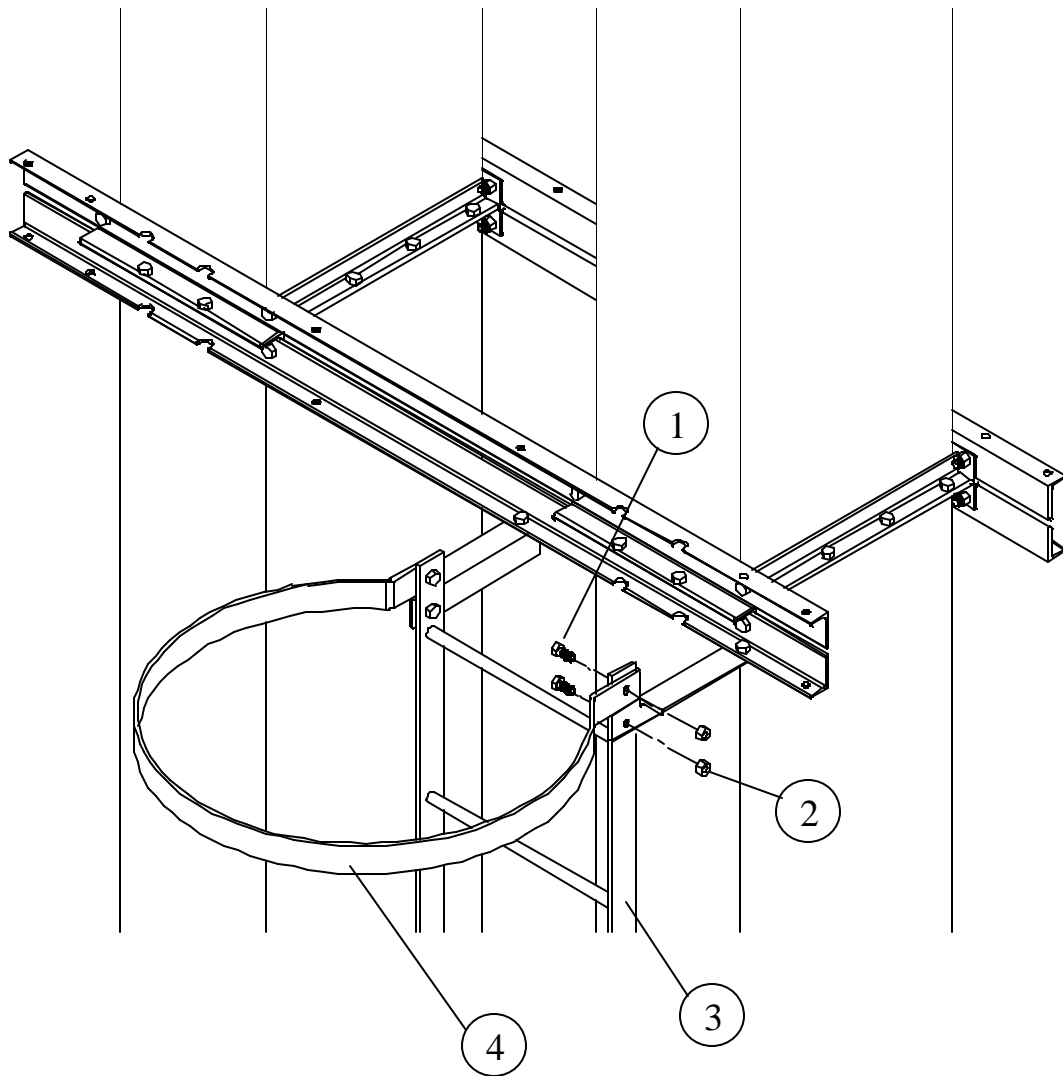


Attach the ladder standoff bracket to the tie angles.



1. 1/2"-13x1" Hex Bolt
2. 1/2"-13 Hex Nut
3. Ladder Standoff Bracket
Left- (be-plat1)
Right- (be-plat2)

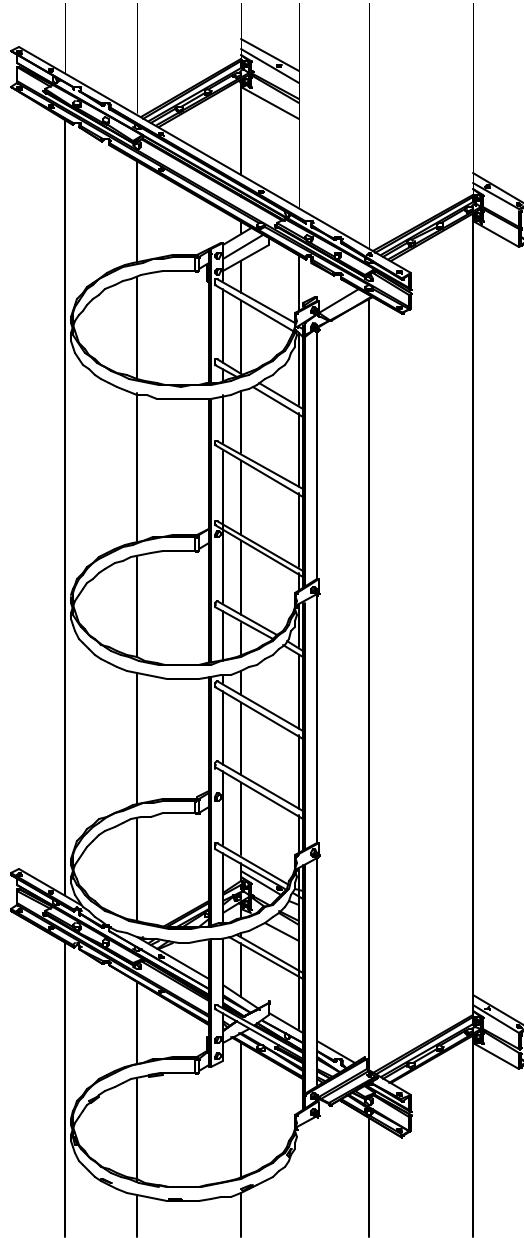
When attaching the ladder to the standoffs the ladder is attached through the second hole down front the end of the ladder. The first hole is for the safety cage hoop to attach through.



1. 1/2"-13x1" Hex Bolt
2. 1/2"-13 Hex Nut
3. 10' Ladder Section** (10foot)
4. 27" Safety Cage Hoop (27hoop)

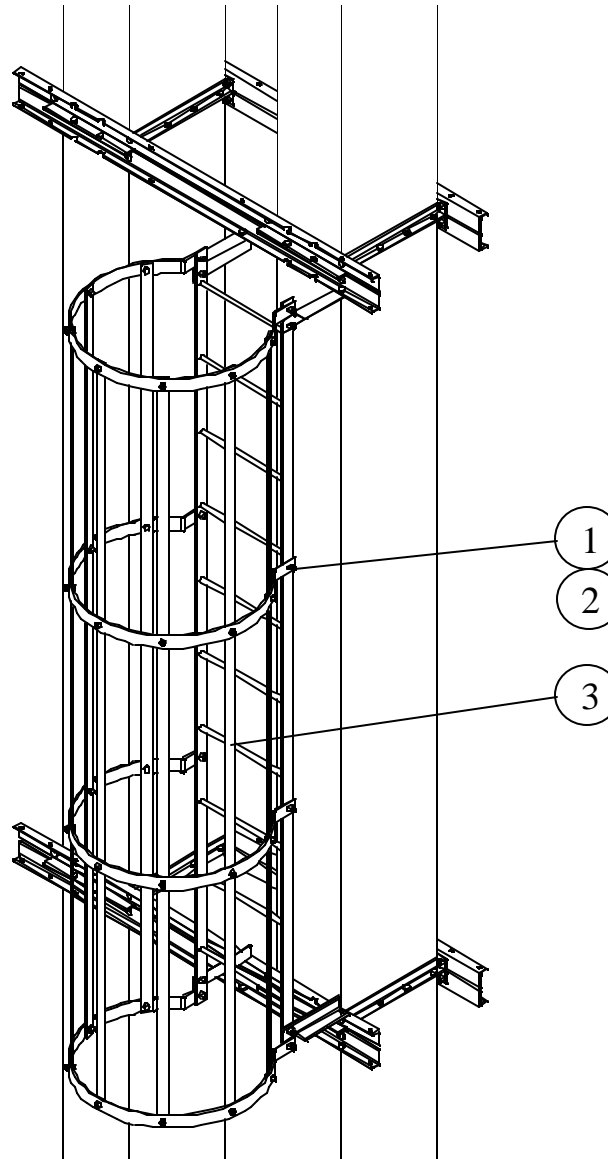
** NOTE: A ten foot section is used at anytime the ladder continues on to another section of ladder. A fourteen foot section is used anytime the ladder extends through any platform deck.

Bolt all safety cage hoops to ladder as shown below.
Leave all bolts loose until the vertical bars are in place
and then tighten all hardware.



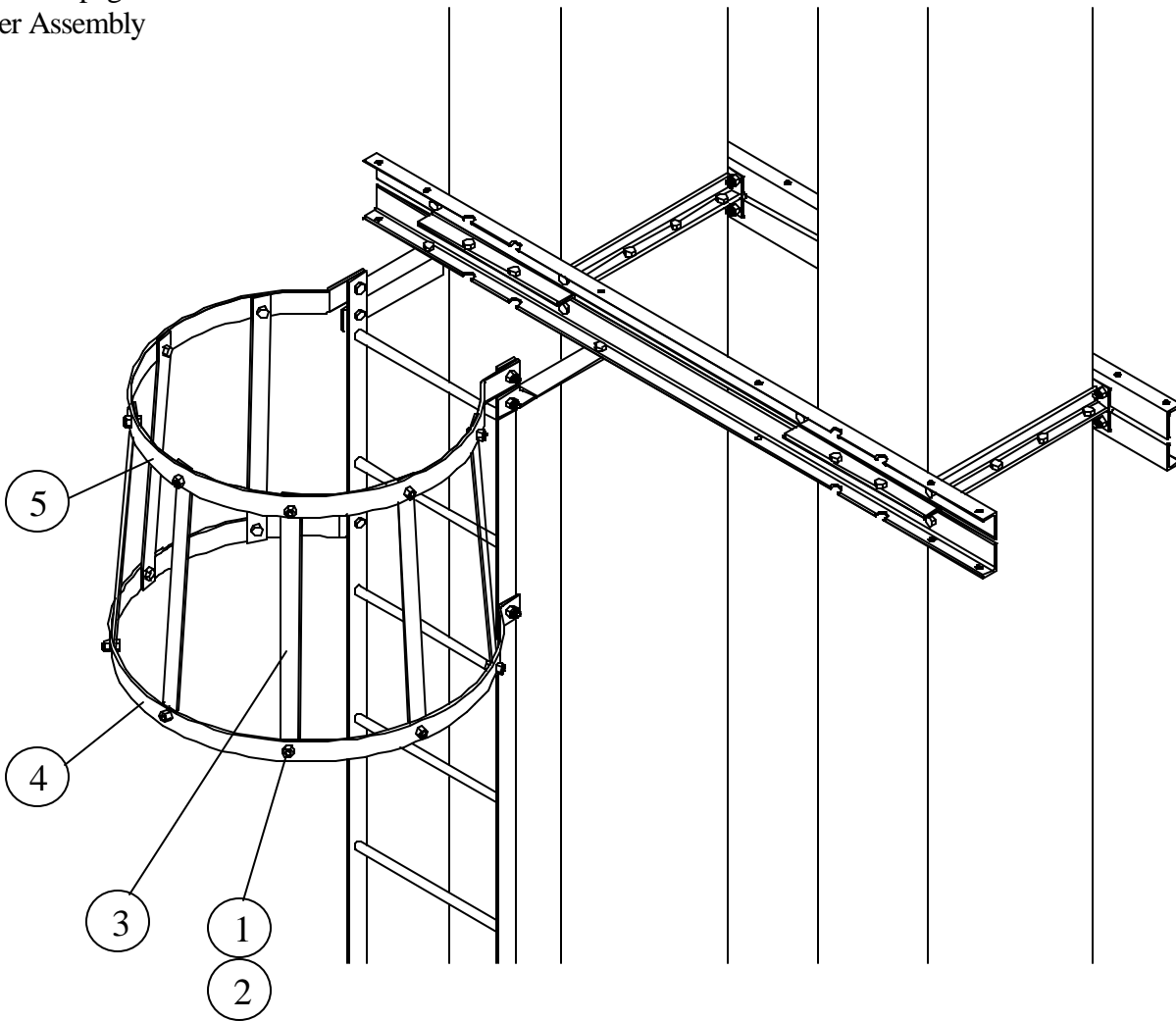
Bolt all safety cage vertical bars to the cage hoops as shown below.

Reference page 11
Safety Cage 10' Assembly

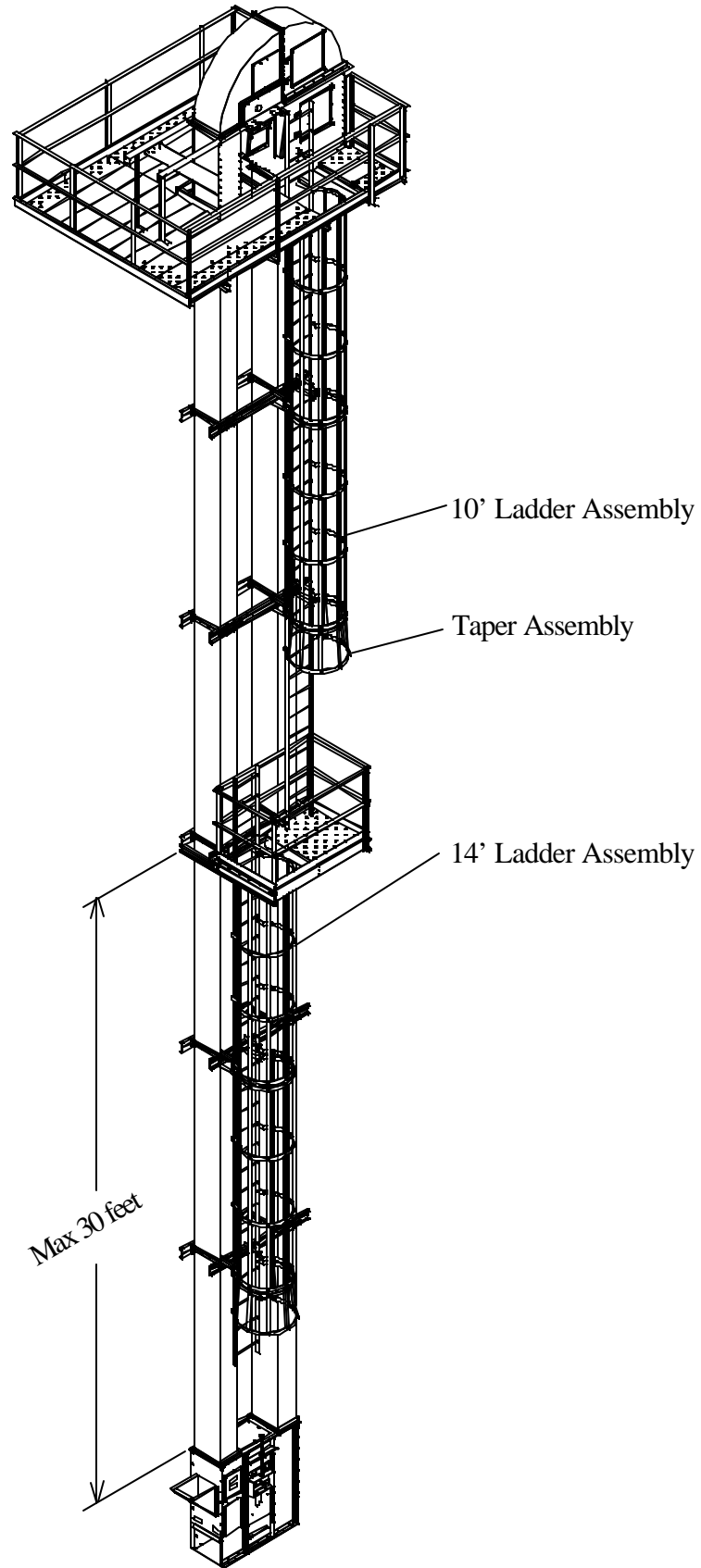


1. 1/2"-13x1" Hex Bolt
2. 1/2"-13 Hex Nut
3. Safety Cage Vertical Bar (10foot-v)

Reference page 11
Taper Assembly

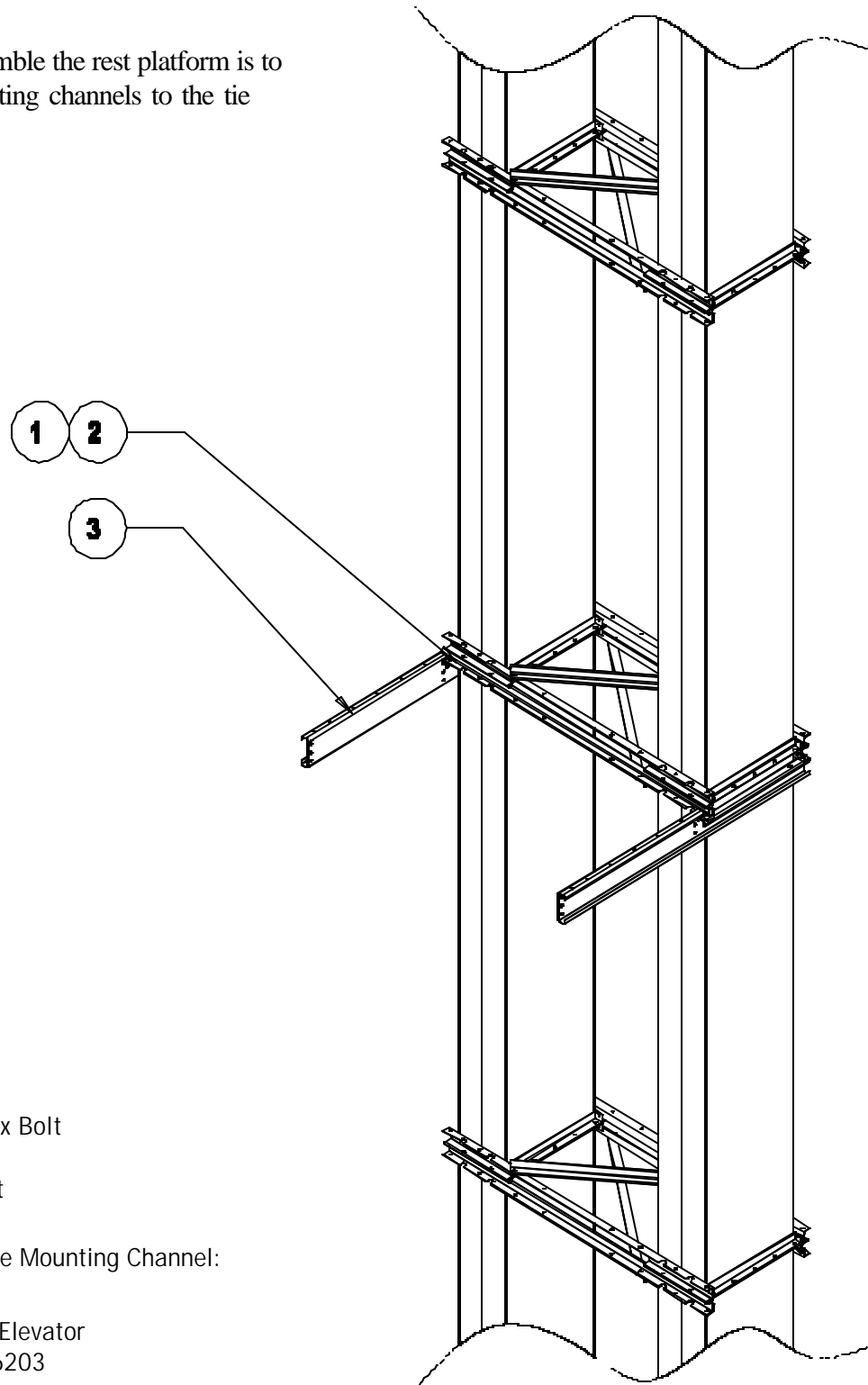


1. 1/2"-13x1" Hex Bolt
2. 1/2"-13 Hex Nut
3. Safety Cage Tapper Vertical Bar (taper-v)
4. 30" Safety Cage Hoop (30hoop)
5. 27" Safety Cage Hoop (27hoop)



REST PLATFORM ASSEMBLY

The first step to assemble the rest platform is to attach the side mounting channels to the tie angles.



- 1. 1/2"-13 x 1" Hex Bolt
- 2. 1/2"-13 Hex Nut
- 3. Left & Right Side Mounting Channel:

30" & 36" Bucket Elevator
RSP36202, RSP36203
See page 22, 23

42" & 48" Bucket Elevator
RSP48202/RSP48202, RSP484203/RSP48203
See pages 24, 25

FIG. 1

Next attach the platform corner posts to the mounting channels as shown below. Leaving hardware loose will help fit other parts in place.

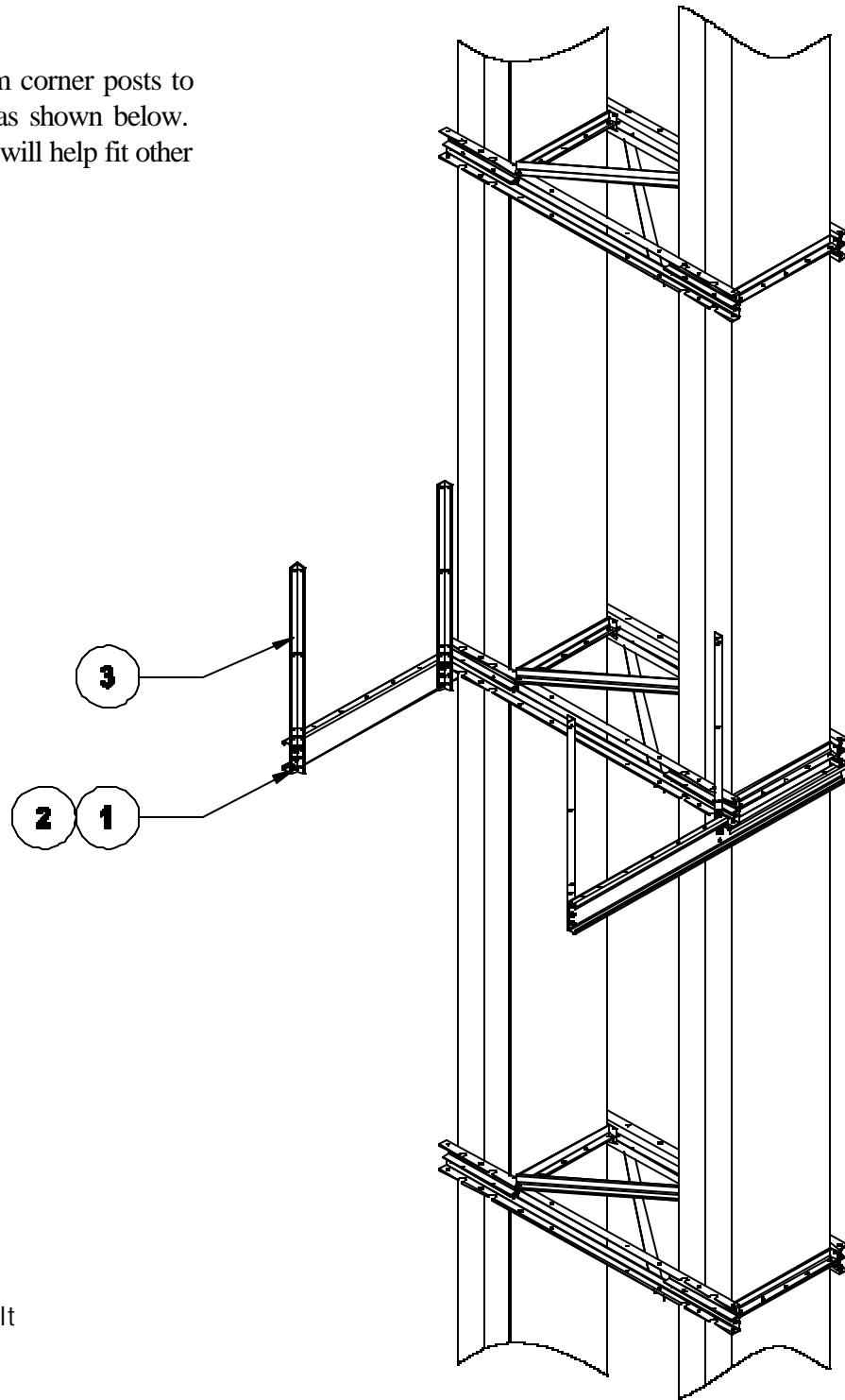
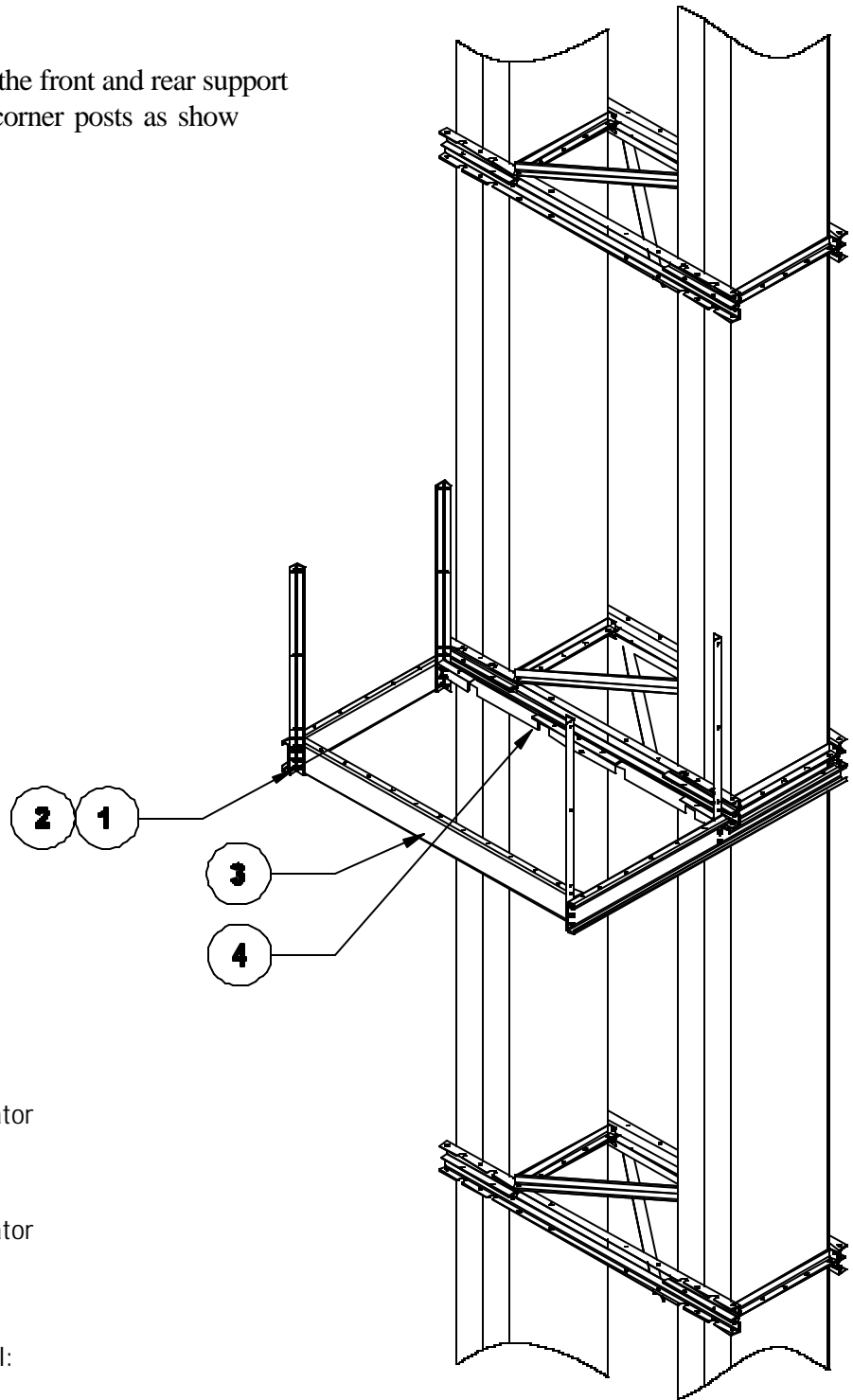


FIG. 2

1. 1/2"-13 x 1" Hex Bolt
2. 1/2"-13 Hex Nut
3. Platform Corner Post:

30", 36", 42" & 48" Bucket Elevator
RSP48007
See page 24, 25

The next step is to attach the front and rear support channel to the platform corner posts as show below.



1. 1/2"-13 x 1" Hex Bolt

2. 1/2"-13 Hex Nut

3. Front Support Channel:

30" & 36" Bucket Elevator
RSP36005
See page 22, 23

42" & 48" Bucket Elevator
RSP48005
See page 24, 25

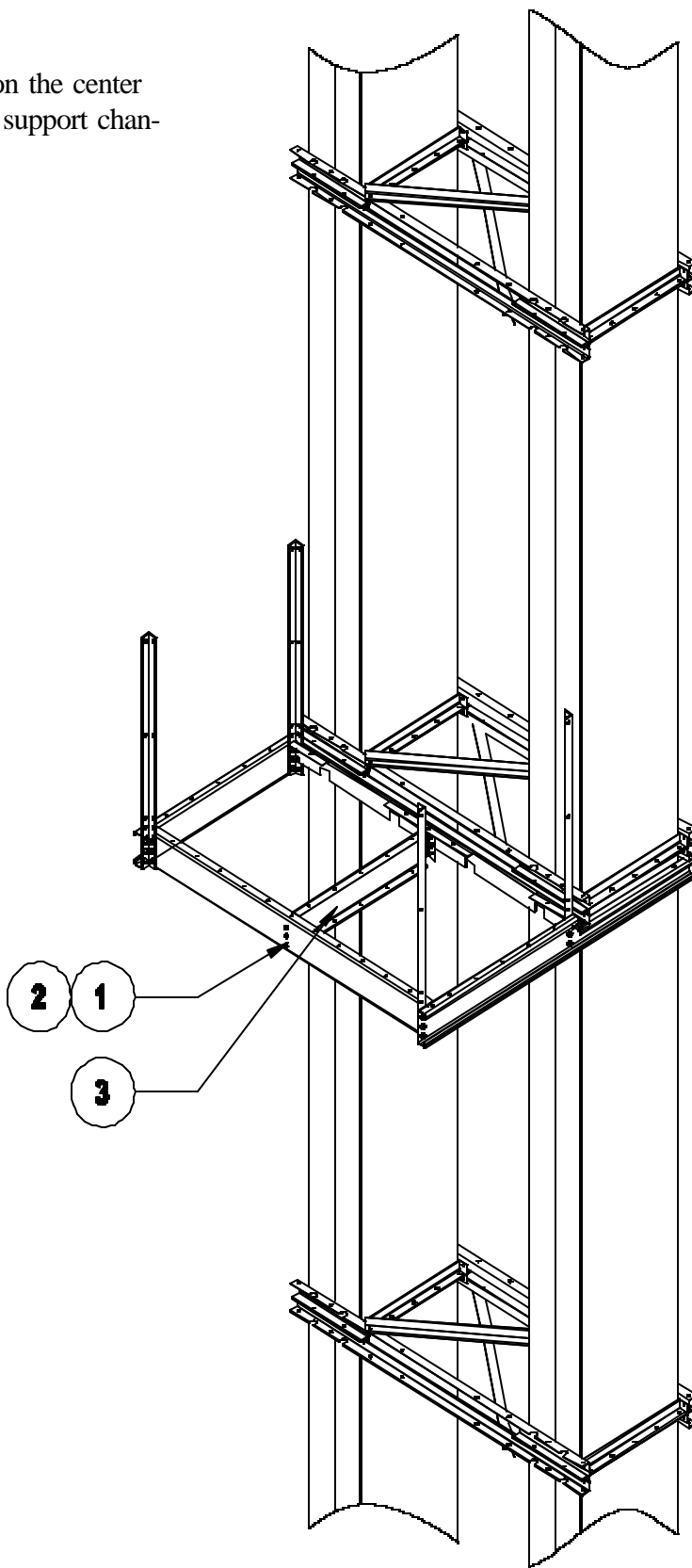
4. Rear Mounting Channel:

30" & 36" Bucket Elevator
RSP36206
See page 22, 23

42" & 48" Bucket Elevator
RSP48206
See page 24, 25

FIG. 3

To complete the support frame bolt on the center support channel to the front and rear support channel.



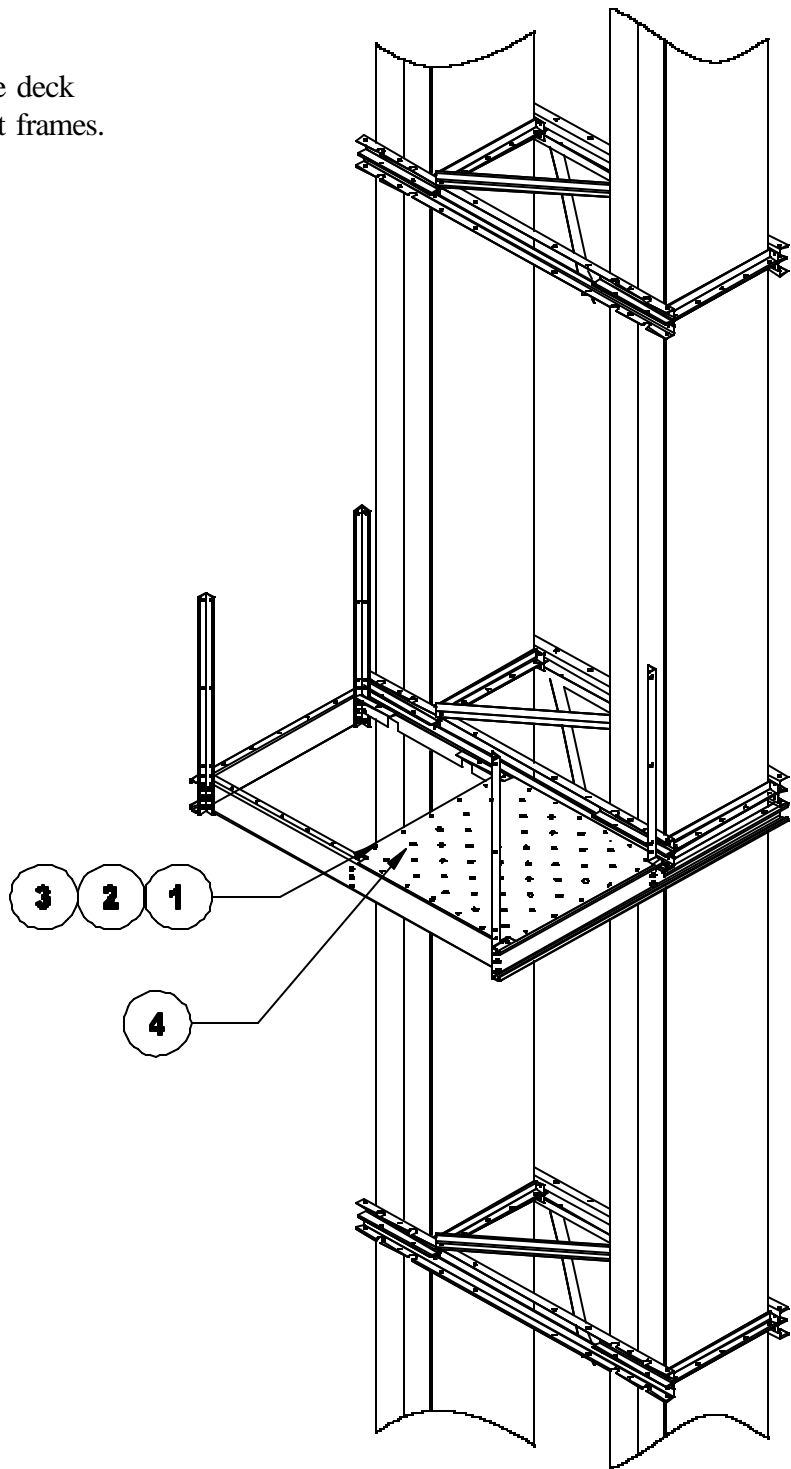
- 1. 1/2"-13 x 1" Hex Bolt
- 2. 1/2"-13 Hex Nut
- 3. Center Support Channel:**

30" , 36" , 42" Bucket Elevator
RSP48204
See page 24, 25

FIG. 4

**This setup shows a left side step off. For a right side step off rotate the middle support channel and shift the floor plate.

Using the 1/4" hardware, bolt the deck plate to the mounting and support frames.



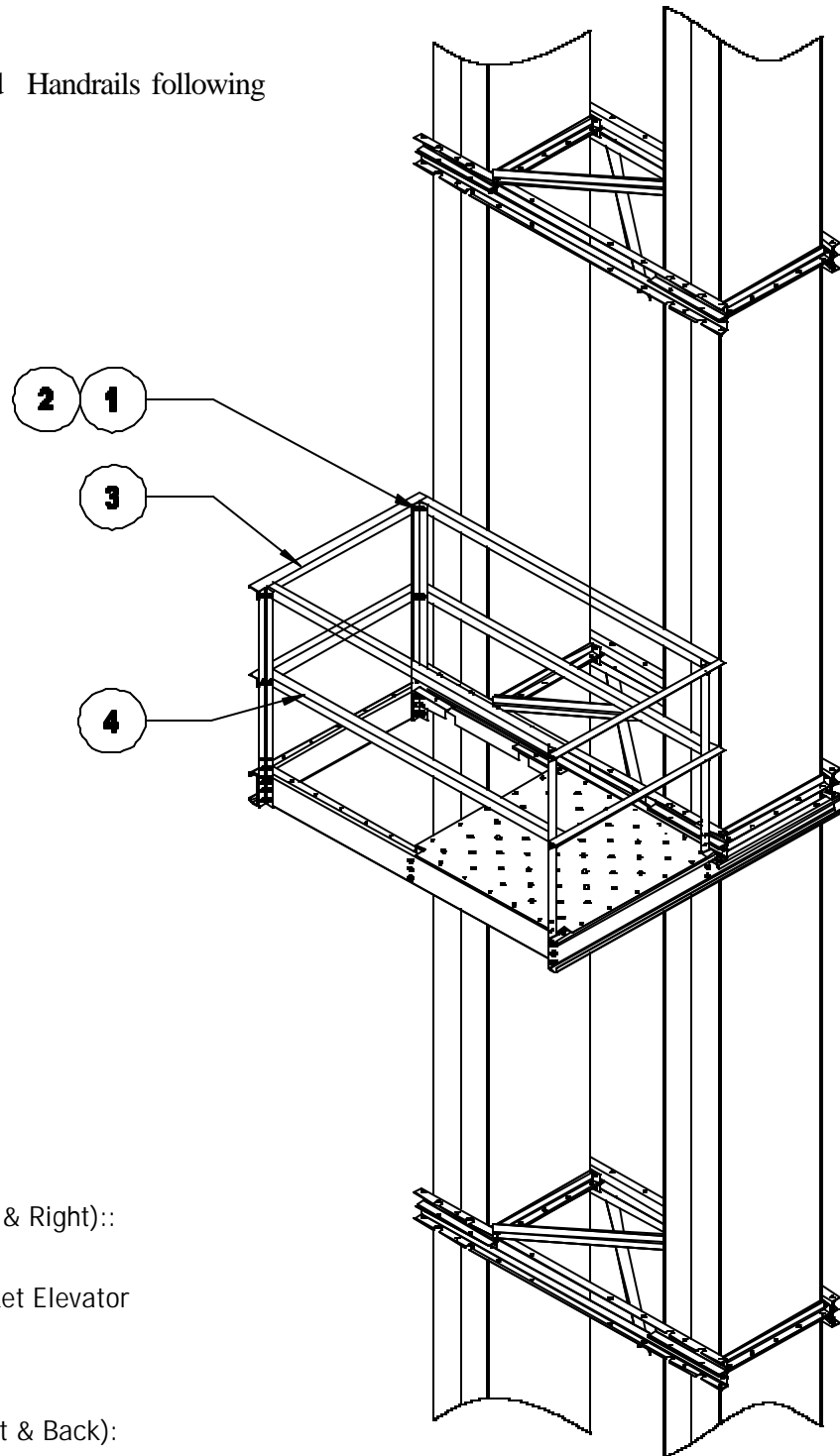
- 1. 1/4"-20 x 1" Hex Bolt
- 2. 1/4"-13 Hex Nut
- 3. 1/4" Flat Washer
- 4. Rest Platform Deck Plate:

30" & 36" Bucket Elevator
RSP36201
See page 22, 23

42" & 48" Bucket Elevator
RSP48201
See page 24, 25

FIG. 5

Bolt on all the Top & Mid Handrails following picture below.



1. 1/2"-13 x 1" Hex Bolt

2. 1/2"-13 Hex Nut

3. Top & Mid Handrail (Left & Right)::

30", 36", 42", & 48" Bucket Elevator
RSP48209
See page 24, 25

4. Top & Mid Handrail (Front & Back):

30" & 36" Bucket Elevator
RSP36008
See page 22, 23

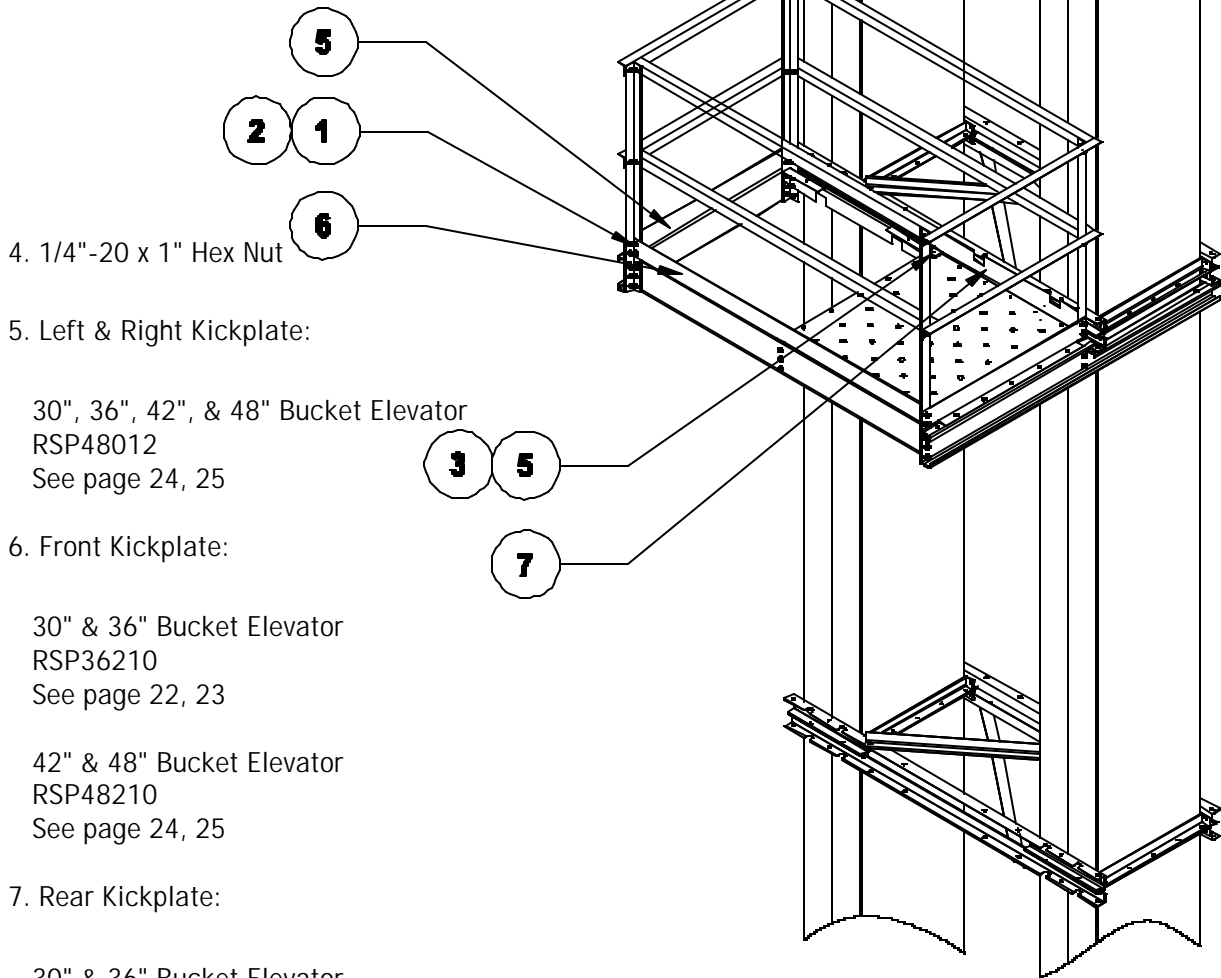
42" & 48" Bucket Elevator
RSP48008
See page 24, 25

FIG. 6

To complete the rest platform, bolt on all toeboards to the platform corner posts.

Recheck all hardware to ensure proper tightness.

- 1. 1/2"-13 x 1" Hex Bolt
- 2. 1/2"-13 Hex Nut
- 3. 1/4"-20 x 1" Hex Bolt



4. 1/4"-20 x 1" Hex Nut

5. Left & Right Kickplate:

30", 36", 42", & 48" Bucket Elevator
RSP48012
See page 24, 25

6. Front Kickplate:

30" & 36" Bucket Elevator
RSP36210
See page 22, 23

42" & 48" Bucket Elevator
RSP48210
See page 24, 25

7. Rear Kickplate:

30" & 36" Bucket Elevator
RSP36211
See page 22, 23

42" & 48" Bucket Elevator
RSP48211
See page 24, 25

FIG. 7

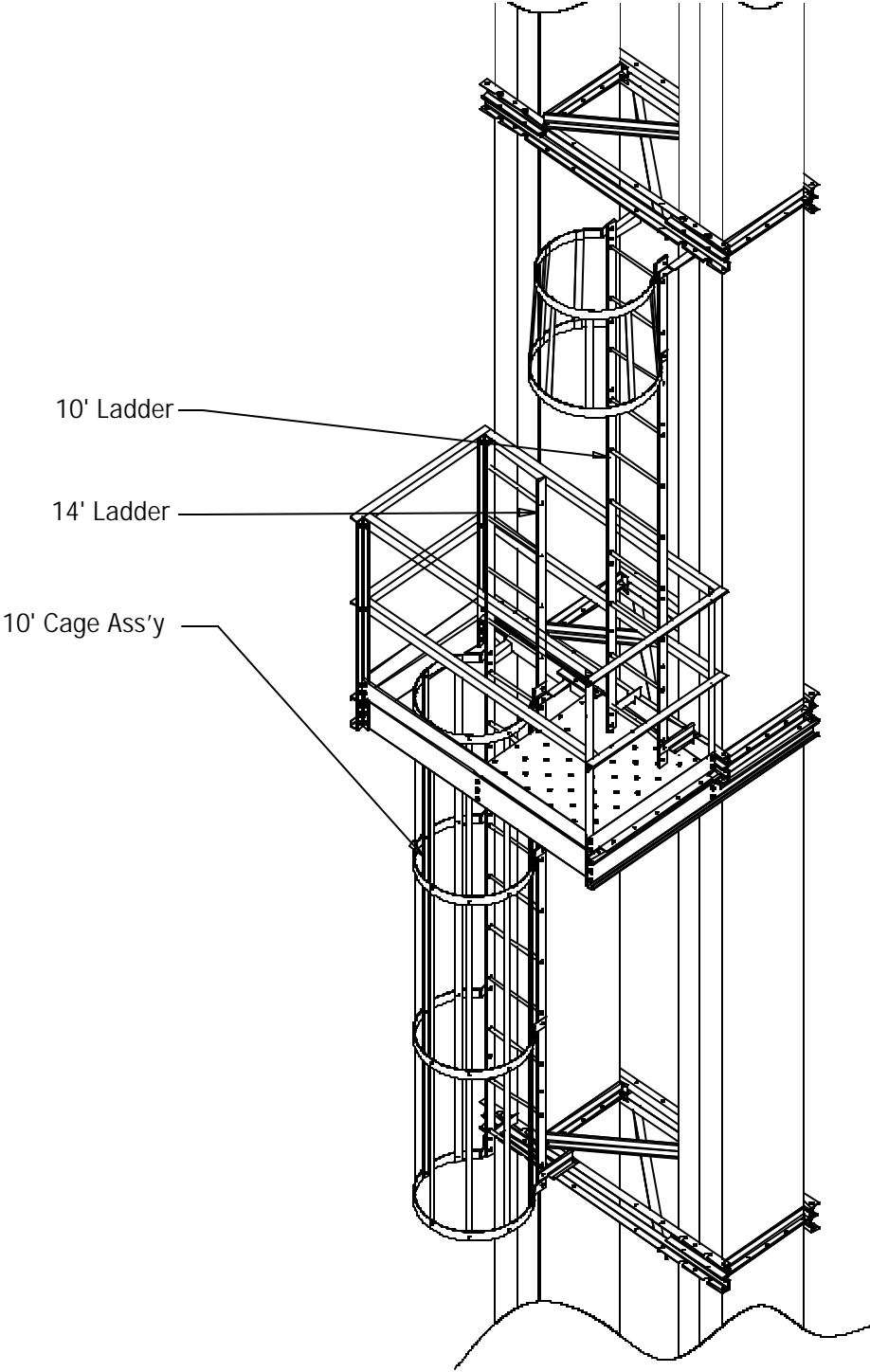
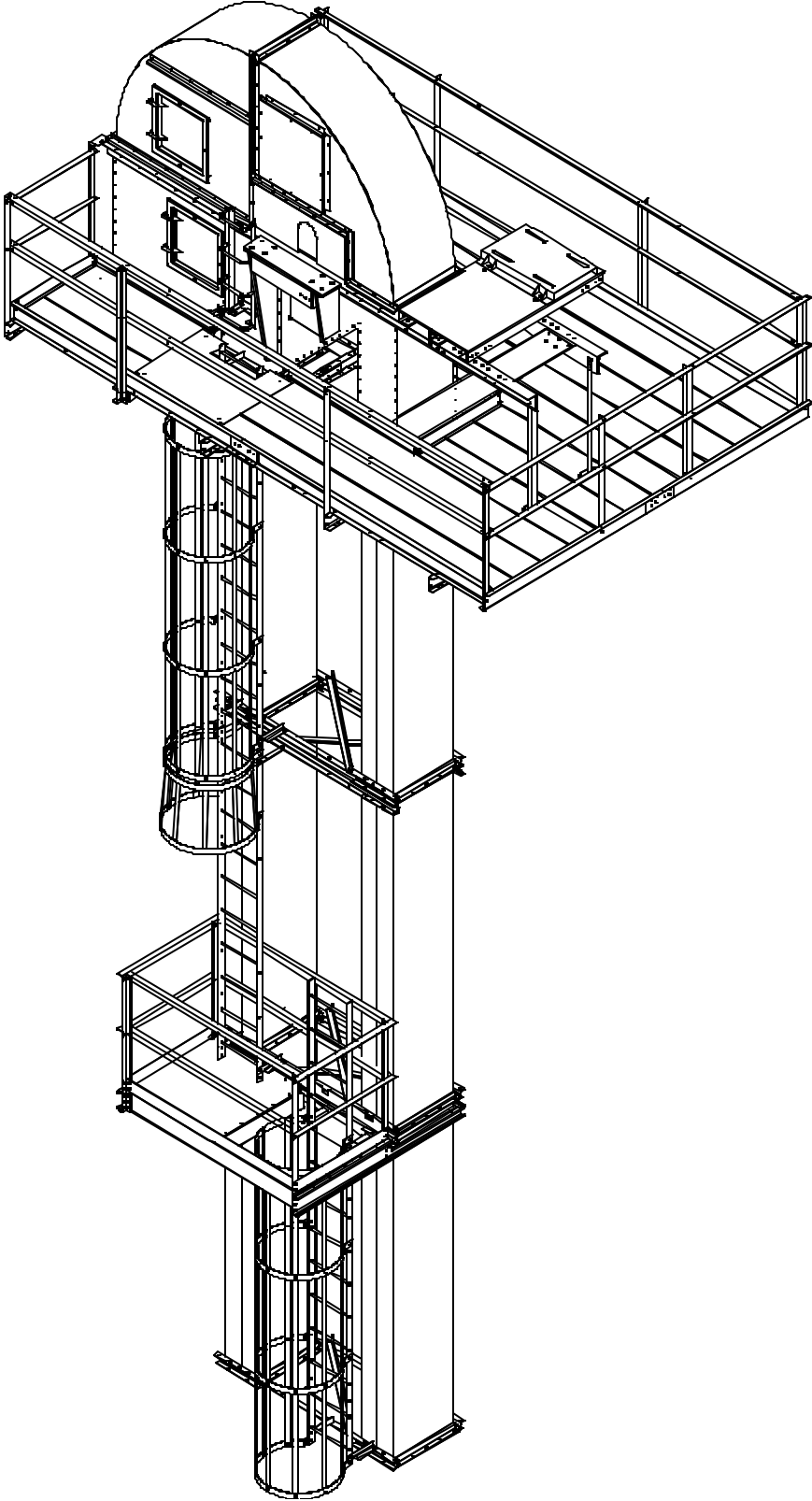
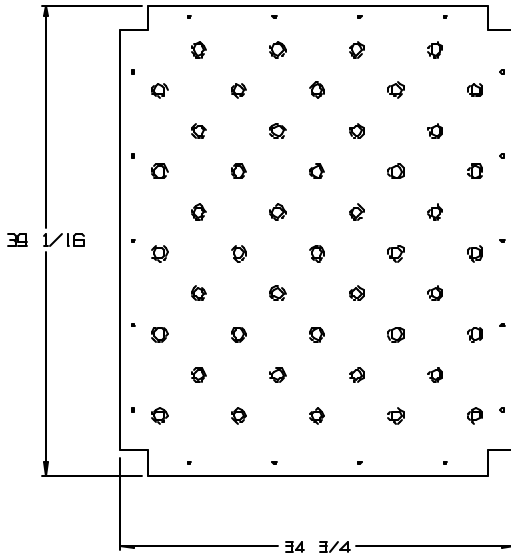


FIG. 8

Bucket Elevator 14' Ladder Assembly at Head Service Platform

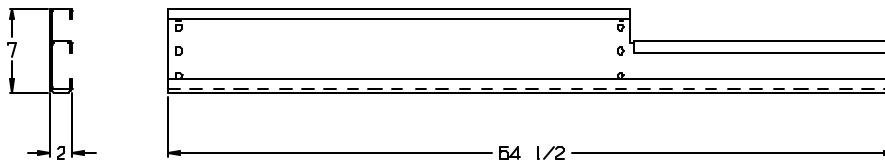


RSP36201
REST PLATFORM DECK
30" & 36" REST PLATFORM

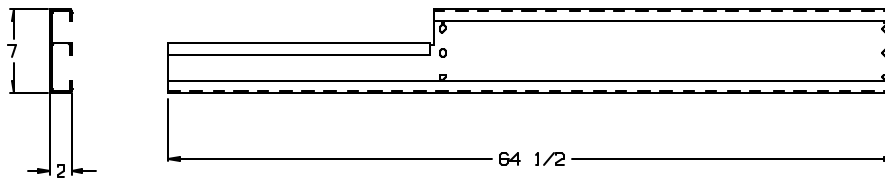


NOTE: 30" & 36" REST PLATFORM
SHARE PARTS RSP48007,
RSP48012, RSP48204,
RSP48209 WITH 42" & 48"
REST PLATFORM

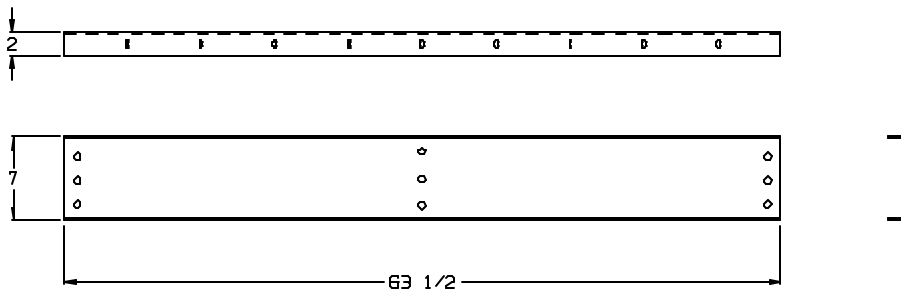
RSP36202
RIGHT SIDE MOUNTING CHANNEL
30" & 36" REST PLATFORM



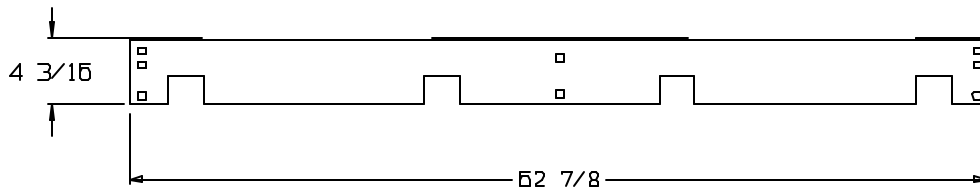
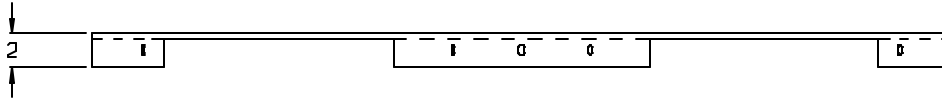
RSP36203
LEFT SIDE MOUNTING CHANNEL
30" & 36" REST PLATFORM



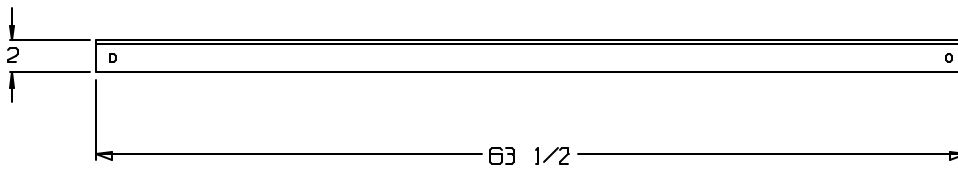
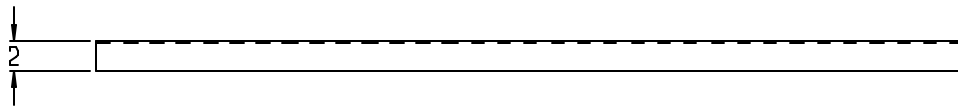
RSP36005
FRONT SUPPORT CHANNEL
30" & 36" REST PLATFORM



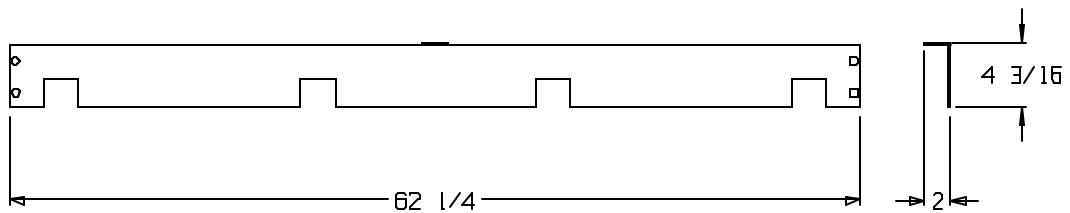
RSP36006
REAR MOUNTING CHANNEL
30' & 36' REST PLATFORM



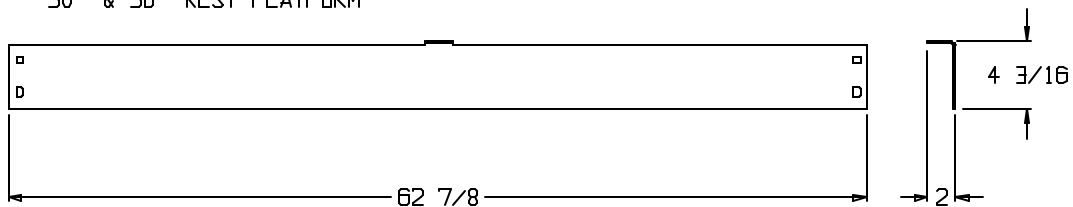
RSP36008
TOP & MID HANDRAIL
(FRONT & REAR)
30' & 36' REST PLATFORM



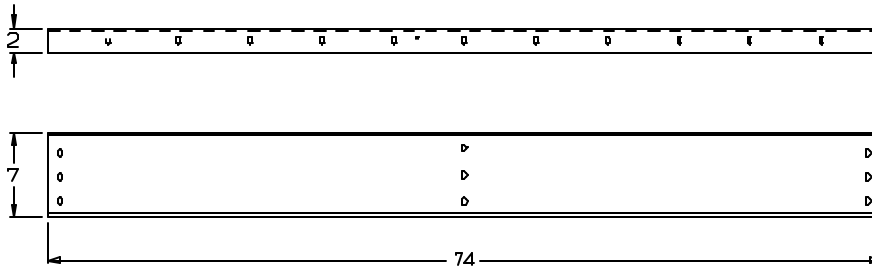
RSP36011
REAR KICK PLATE
30" & 36" REST PLATFORM



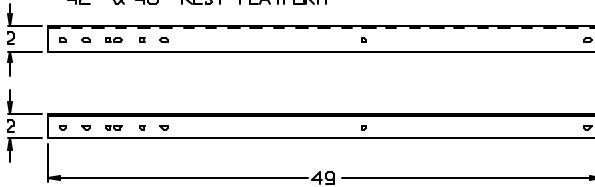
RSP36010
FRONT KICK PLATE
30" & 36" REST PLATFORM



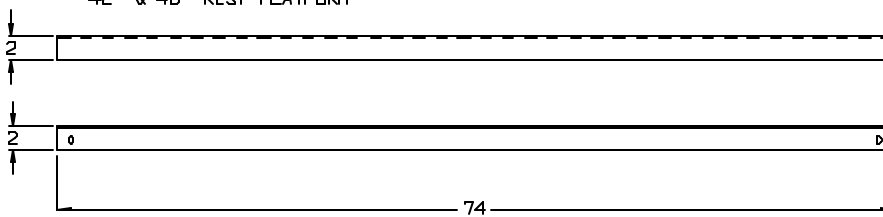
RSP48005
FRONT SUPPORT CHANNEL
42" & 48" REST PLATFORM



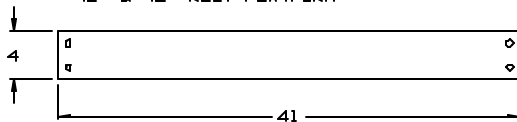
RSP48007
PLATFORM CORNER POST
42" & 48" REST PLATFORM



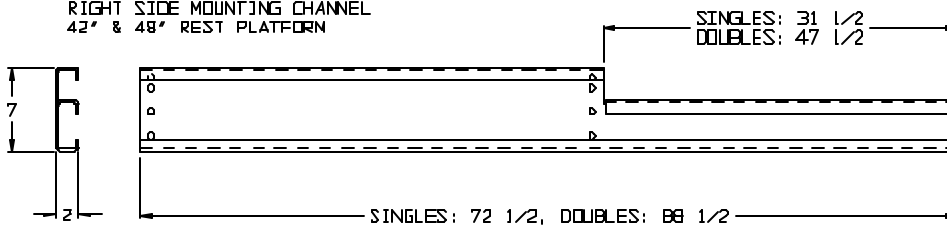
RSP48008
TOP & MID HANDRAIL
(FRONT & REAR)
42" & 48" REST PLATFORM



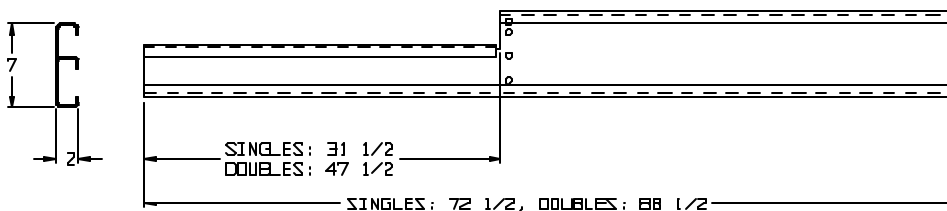
RSP48012
LEFT & RIGHT KICK PLATE
42" & 48" REST PLATFORM



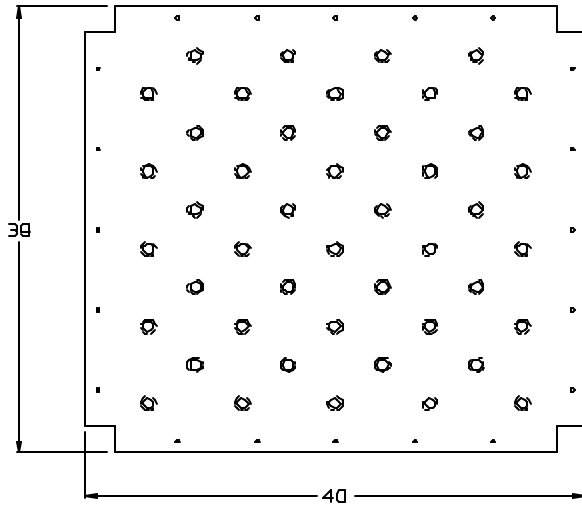
RSP48202/RSP484202
RIGHT SIDE MOUNTING CHANNEL
42" & 48" REST PLATFORM



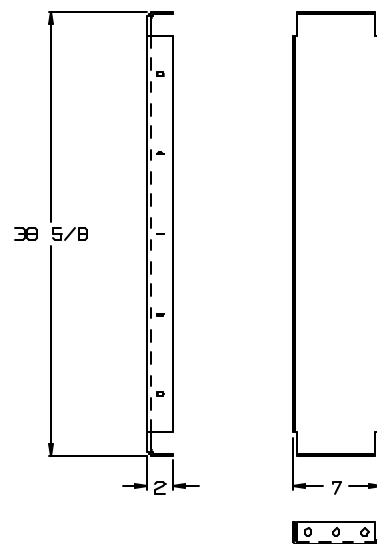
RSP48203/RSP484203
LEFT SIDE MOUNTING CHANNEL
42" & 48" REST PLATFORM



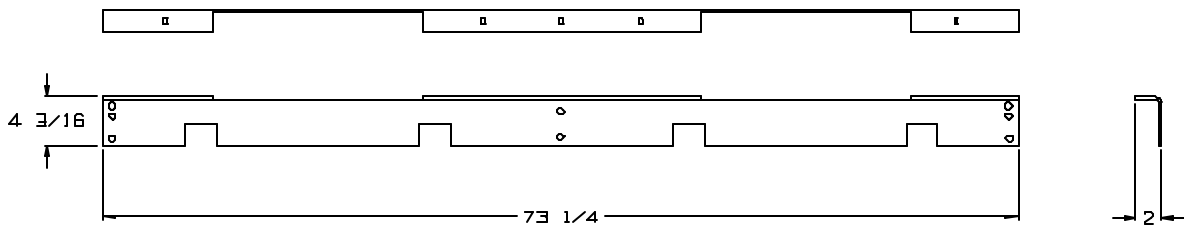
RSP48201
REST PLATFORM DECK
42" & 48" REST PLATFORM



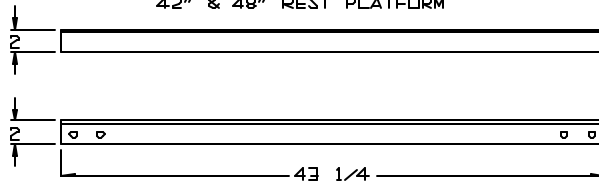
RSP48204
CENTER SUPPORT CHANNEL
42" & 48" REST PLATFORM



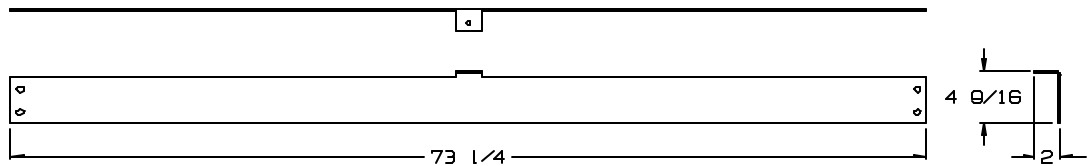
RSP48206
REAR MOUNTING CHANNEL
42" & 48" REST PLATFORM



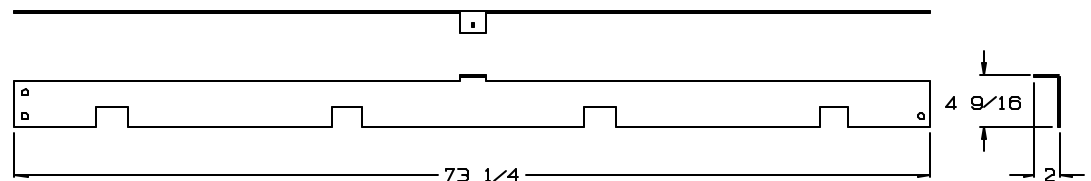
RSP48208
TOP & MID HANDRAIL
(LEFT & RIGHT)
42" & 48" REST PLATFORM



RSP48210
FRONT KICK PLATE
42" & 48" REST PLATFORM



RSP48211
REAR KICK PLATE
42" & 48" PLATFORM



THE COMPANY AS THE MANUFACTURER WARRANTS ALL PRODUCTS MANUFACTURED BY THE COMPANY TO BE FREE OF DEFECTS IN MATERIAL AND WORKMANSHIP UNDER NORMAL USAGE AND CONDITIONS FOR A PERIOD OF TWENTY-FOUR MONTHS AFTER RETAIL SALE TO THE ORIGINAL END USER OF SUCH PRODUCTS. THE COMPANY'S ONLY OBLIGATION IS, AND PURCHASER'S SOLE REMEDY SHALL BE FOR THE COMPANY, TO REPAIR OR REPLACE, AT IT'S OPTION AND EXPENSE, PRODUCTS THAT, IN IT'S SOLE JUDGMENT, CONTAIN A MATERIAL DEFECT DUE TO MATERIALS OR WORKMANSHIP. ALL DELIVERY AND SHIPMENT CHARGES TO AND FROM THE COMPANY'S FACTORY WILL BE PURCHASER'S RESPONSIBILITY. EXPENSES INCURRED BY OR ON BEHALF OF THE PURCHASER WITHOUT PRIOR WRITTEN AUTHORIZATION FROM AN AUTHORIZED EMPLOYEE OF THE COMPANY SHALL BE THE SOLE RESPONSIBILITY OF THE PURCHASER.

EXCEPT FOR THE ABOVE STATED EXPRESS LIMITED WARRANTIES, THE COMPANY MAKES NO WARRANTY OF ANY KIND, EXPRESSED OR IMPLIED, INCLUDING, WITHOUT LIMITATION, WARRANTIES OF MERCHANTABILITY OR FITNESS FOR A PARTICULAR PURPOSE OR USE IN CONNECTION WITH (i) PRODUCT MANUFACTURED OR SOLD BY THE COMPANY OR (ii) ANY ADVICE, INSTRUCTION, RECOMMENDATION OR SUGGESTION PROVIDED BY AN AGENT, REPRESENTATIVE OR EMPLOYEE OF GSI REGARDING OR RELATED TO THE CONFIGURATION, INSTALLATION, LAYOUT, SUITABILITY FOR A PARTICULAR PURPOSE, OR DESIGN OF SUCH PRODUCT OR PRODUCTS.

IN NO EVENT SHALL THE COMPANY BE LIABLE FOR ANY DIRECT, INDIRECT, INCIDENTAL OR CONSEQUENTIAL DAMAGES, INCLUDING, WITHOUT LIMITATION, LOSS OF ANTICIPATED PROFITS OR BENEFITS. PURCHASER'S SOLE AND EXCLUSIVE REMEDY SHALL BE LIMITED TO THAT STATED ABOVE, WHICH SHALL NOT EXCEED THE AMOUNT PAID FOR THE PRODUCT PURCHASED. THIS WARRANTY IS NOT TRANSFERABLE AND APPLIES ONLY TO THE ORIGINAL PURCHASER. THE COMPANY SHALL HAVE NO OBLIGATION OR RESPONSIBILITY FOR ANY REPRESENTATIVE OR WARRANTIES MADE BY OR ON BEHALF OF ANY DEALER, AGENT OR DISTRIBUTOR OF THE COMPANY.

THE COMPANY ASSUMES NO RESPONSIBILITY FOR FIELD MODIFICATIONS OR ERECTION DEFECTS WHICH CREATE STRUCTURAL OR STORAGE QUALITY PROBLEMS. MODIFICATIONS TO THE PRODUCT NOT SPECIFICALLY COVERED BY THE CONTENTS OF THIS MANUAL WILL NULLIFY ANY PRODUCT WARRANTY THAT MIGHT HAVE BEEN OTHERWISE AVAILABLE.

THE FOREGOING WARRANTY SHALL NOT COVER PRODUCTS OR PARTS WHICH HAVE BEEN DAMAGED BY NEGLIGENT USE, MISUSE, ALTERATION OR ACCIDENT. THIS WARRANTY COVERS ONLY PRODUCTS MANUFACTURED BY THE COMPANY. THIS WARRANTY IS EXCLUSIVE AND IN LIEU OF ALL OTHER WARRANTIES EXPRESS OR IMPLIED. THE COMPANY RESERVES THE RIGHT TO MAKE DESIGN OR SPECIFICATION CHANGES AT ANY TIME.

PRIOR TO INSTALLATION, PURCHASER HAS THE RESPONSIBILITY TO RESEARCH AND COMPLY WITH ALL FEDERAL, STATE AND LOCAL CODES WHICH MAY APPLY TO THE LOCATION AND INSTALLATION.

T H E G S I G R O U P

1004 East Illinois Street
Assumption, Il 52510-0020