

Chain Conveyor

Incline Chain Conveyor



Series **1**

Installation and Operation Manual

PNEG-1056

SAFETY GUIDELINES

This manual contains information that is important for you, the owner/operator, to know and understand. This information relates to protecting **personal safety** and **preventing equipment problems**. It is the responsibility of the owner/operator to inform anyone operating or working in the area of this equipment of these safety guidelines. To help you recognize this information, we use the symbols that are defined below.

Please read the manual and pay attention to these sections. Failure to read this manual and its safety instructions is a misuse of the equipment and may lead to serious injury or death.



This is the safety alert symbol. It is used to alert you to potential personal injury hazards. Obey all safety messages that follow this symbol to avoid possible injury or death.

 **DANGER**

DANGER indicates an imminently hazardous situation which, if not avoided, will result in death or serious injury.

 **WARNING**

WARNING indicates a potentially hazardous situation which, if not avoided, could result in death or serious injury.

 **CAUTION**

CAUTION indicates a potentially hazardous situation which, if not avoided, may result in minor or moderate injury.

CAUTION

CAUTION used without the safety alert symbol indicates a potentially hazardous situation which, if not avoided, may result in property damage.

NOTE

NOTE indicates information about the equipment that you should pay special attention to.

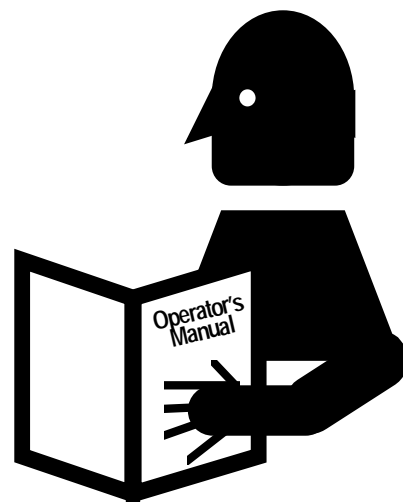
TABLE OF CONTENTS

EQUIPMENT INFORMATION.....	4
SAFETY DECAL LOCATIONS.....	5
GENERAL PRECAUTIONS.....	11
RECEIVING AND PRE-INSTALLATION.....	12
INSTALLATION.....	13
CARE, MAINTENANCE, STORAGE.....	21
OPTIONS.....	25
TROUBLE SHOOTING.....	29
TRAINING SIGN OFF SHEET.....	30
MAINTENANCE RECORD.....	31
WARRANTY.....	32

Introduction

We encourage all personnel operating, installing, or maintaining this equipment to thoroughly read this manual before proceeding. Successful operation is our intention; however, if in fact you are in need of technical advice or support, we encourage you to contact your local dealer/distributor or contact the factory at any time during regular business hours at 217-226-4421. Our commitment is to you the customer, and we encourage your input and/or suggestions that would help better our product.

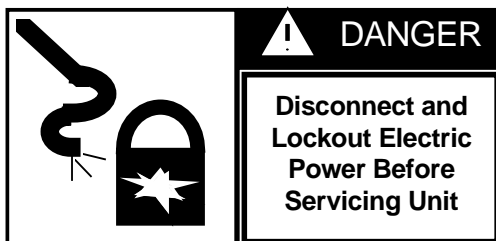
This manual covers general information on incline conveyor (straight and bend incline configurations) installation. Due to the varying sizes of equipment it would be very difficult to cover every aspect of installation. We offer one method for erecting conveyors but many times the contractor's experience and techniques will work. Many times conditions and surroundings do not allow certain practices during the erection of equipment. We cannot be responsible for the erection of the conveyor (unless so contracted to do so).



Safety Information



It is the responsibility of the buyer to make this manual available to the person or persons involved with this equipment. Guards and safety labels have been installed prior to the equipment leaving the manufacturing plant. These devices are not to be removed, altered, or defaced, otherwise voiding any liability or responsibility of the manufacturer. Power lock out is very important prior to installation, adjustment, and maintenance of the unit.



Equipment Information

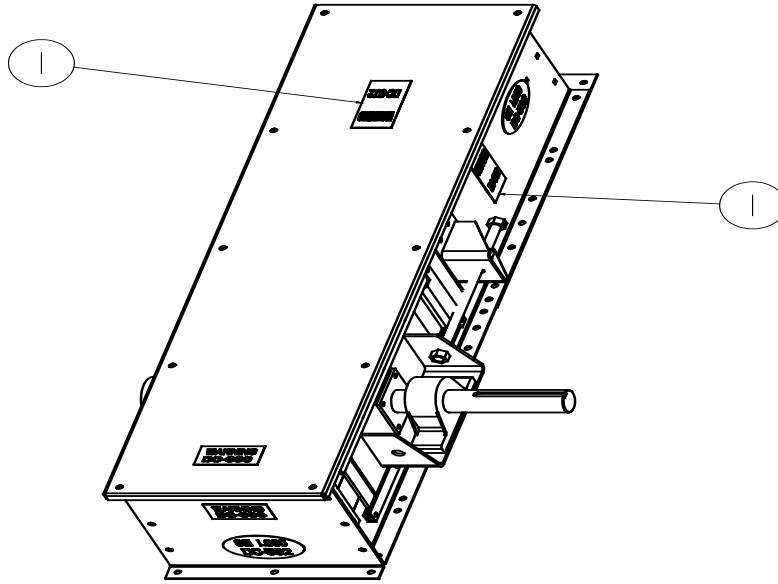
Model Number: _____

Serial Number: _____

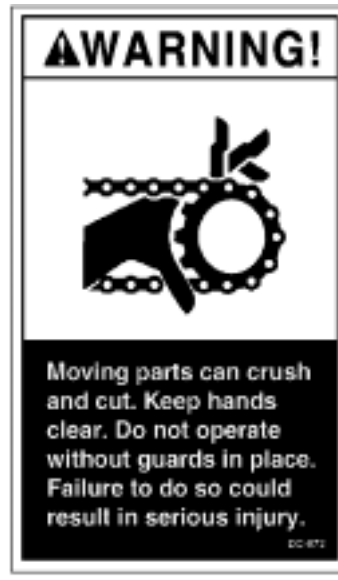
Date Purchased: _____

Dealer/Distributor: _____

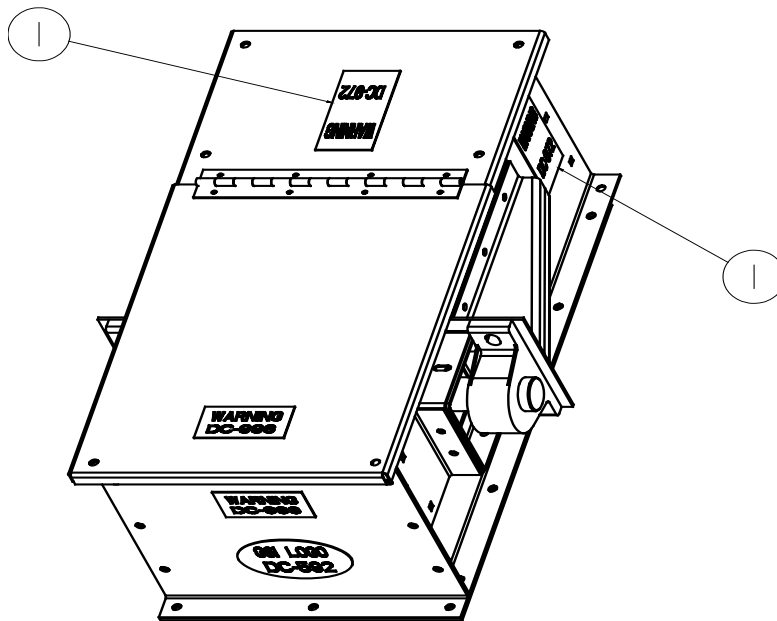
Head Section Decal Locations



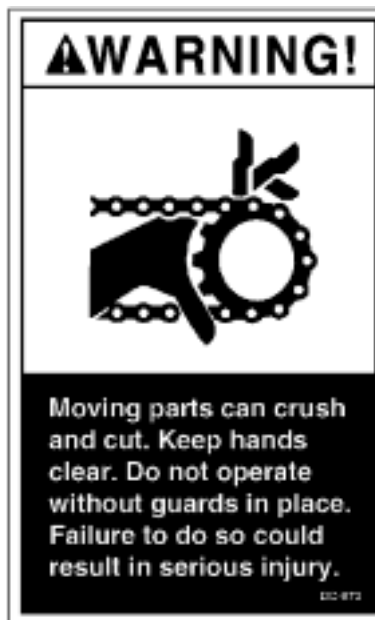
1.



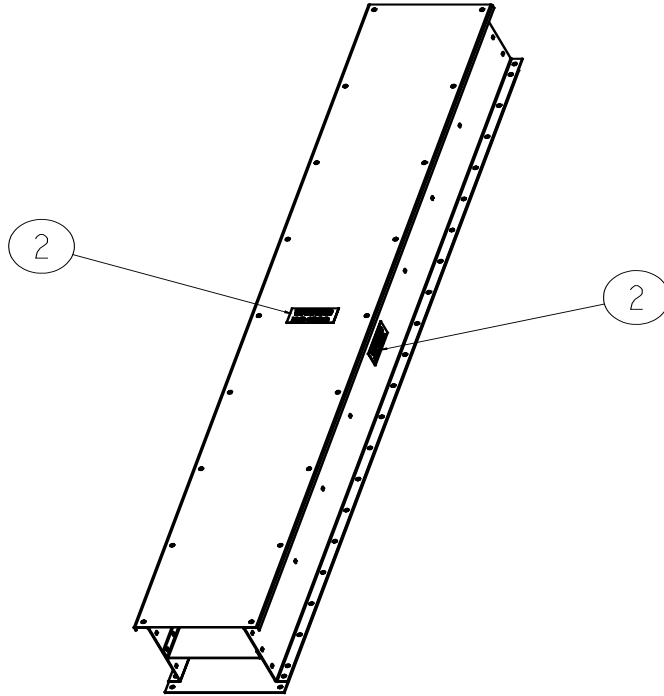
Tail Section Decal Locations



1.



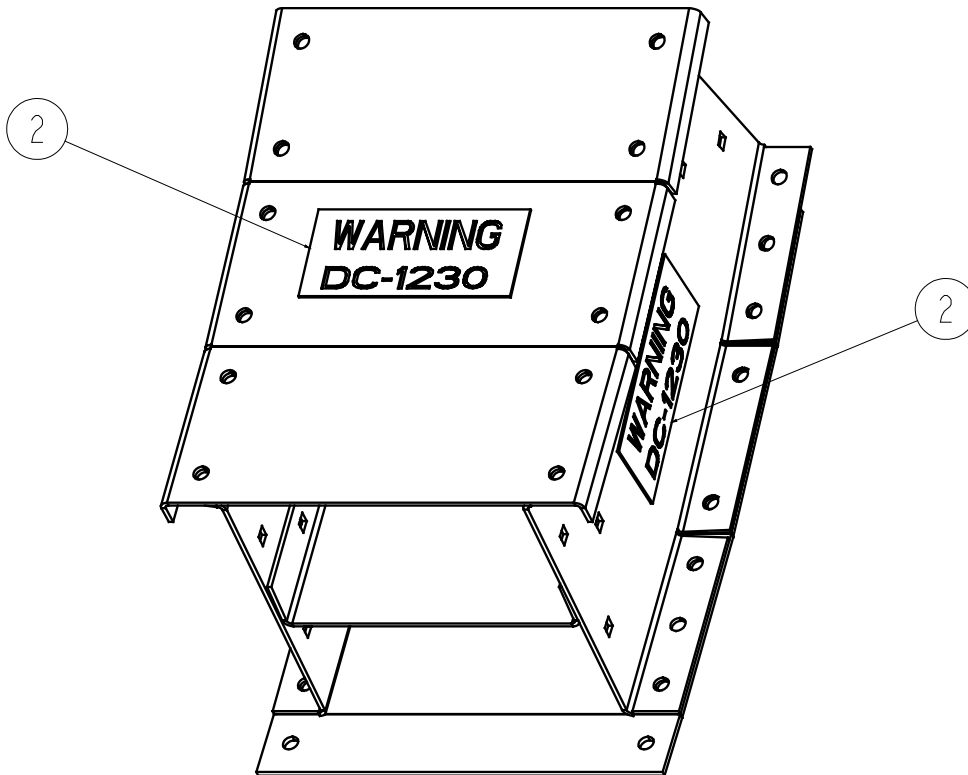
Trough Section Decal Location



2.



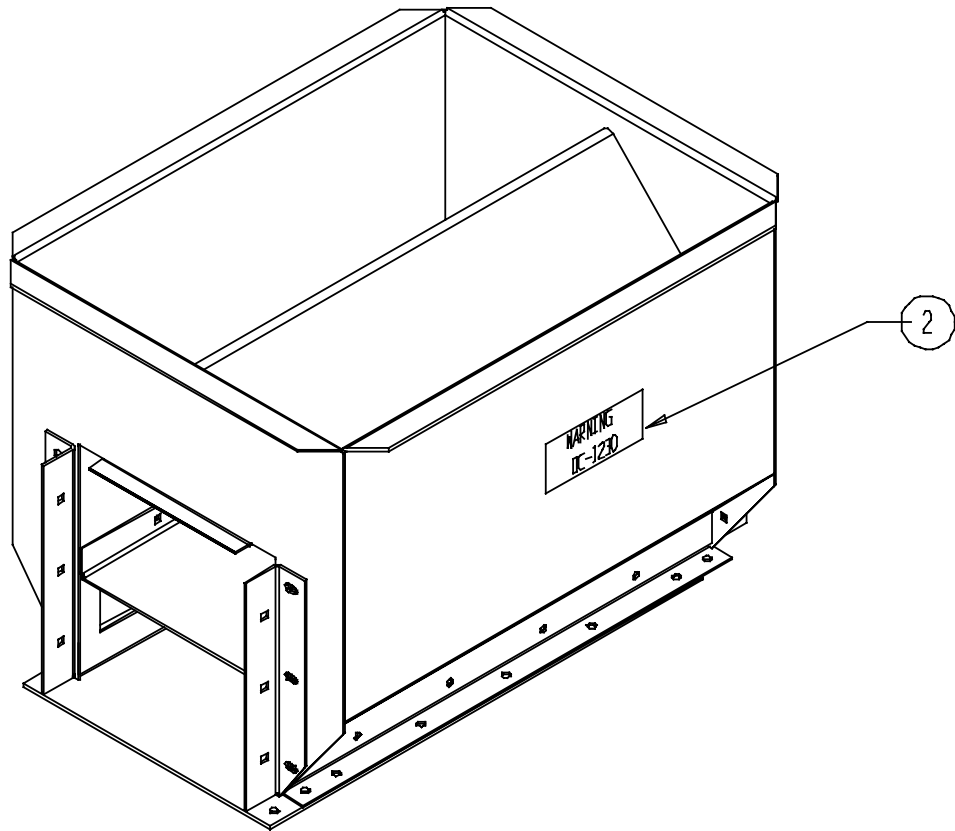
Bend Section Decal Location



2.



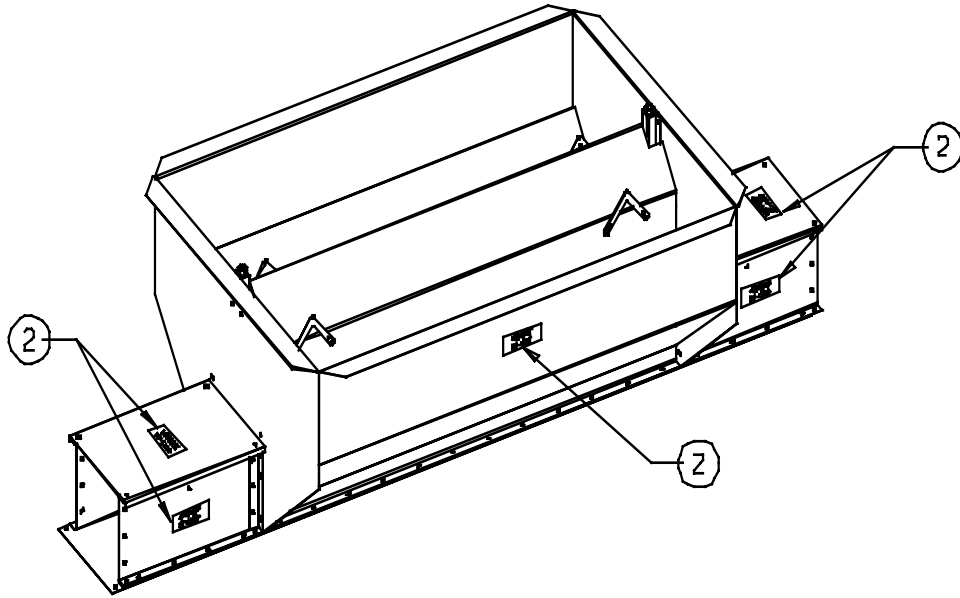
Bypass Inlet Decal Location



2.



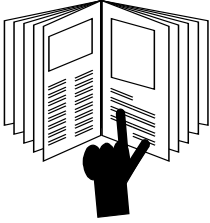
Bypass Dump Hopper Decal Location



2.



CAUTION

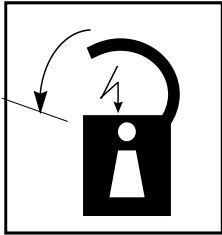


1. Do not operate the unit before reading and understanding the operator's manual.

2. Keep all safety shields and devices in place.

3. Make certain everyone is clear of the equipment before operating or moving the machine.

4. Keep hands, feet, and clothing away from moving parts.



5. Shut off and lock out all power to adjust, service, clean, or unclog.

6. Keep off the equipment at all times.

7. Keep children, visitors, and all untrained personnel away from machine while in operation.

8. Do not operate electric motor equipped units until motors are properly grounded.

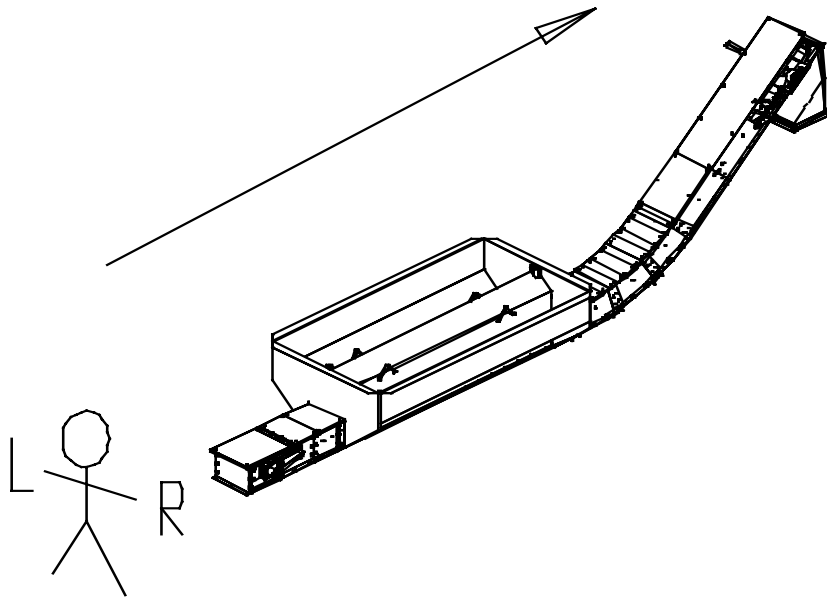
9. Disconnect power on electrical driven units before resetting motor overloads.

10. Do not repetitively stop and start the drive in order to free a plugged condition. Jogging the drive in this type of condition can damage the conveyor and/or drive components.

SET-UP INSTRUCTIONS

This manual is provided by the company to aid in the assembly, operation, and maintenance of its conveyors. Should a question arise concerning the assembly or operation of this unit not covered by this manual, please contact the company at 217-226-4421 during regular business hours and ask for assistance.

In this manual, right and left are determined by standing behind the unit and facing toward the drive section (See figure below).



UNPACKING

Carefully inspect the shipment as soon as it is received. Verify that the quantity of parts and packages corresponds to the quantity shown on the packing slip. Any discrepancies should be clarified immediately. Please remember that any damage or missing parts must be noted on the bill of lading at the time of delivery. Report any damage or shortages to the delivering carrier as soon as possible. The company's responsibility for damage to the equipment ends with the acceptance by the delivering carrier. It is not the responsibility of the company to file claims for damages with the appropriate carrier.

Save all paper work and documentation furnished with any of the chain conveyor components.

Installation

The following guidelines dealing with the installation of the Series I incline conveyors are provided for your convenience. The company cannot be held responsible for the installation of this unit.

Clearance

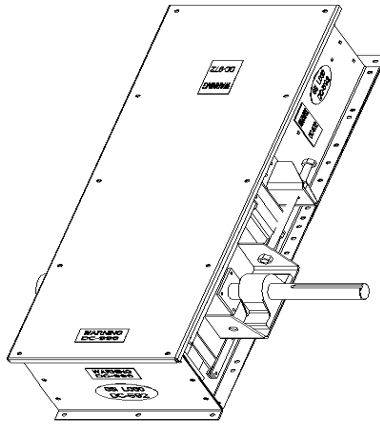
A clearance of at least the width of the conveyor is recommended on all sides of the unit. This amount of clearance is not a necessity; less clearance maybe acceptable. However, serious consideration must be given to methods of maintenance, removal and replacement of the conveyor and/or its parts.

Support & Welding

No welding of any kind on or to the conveyor is recommended. Welding on or to the conveyor may cause damage to both the conveyor and its electrical system. If welding is necessary, the manufacturer prefers that the attachments or supports be welded to bottom splices. Should it be necessary to fasten anything to the conveyor permanently, careful consideration should be given to methods of maintenance, removal and replacement of the conveyor and/or its parts.

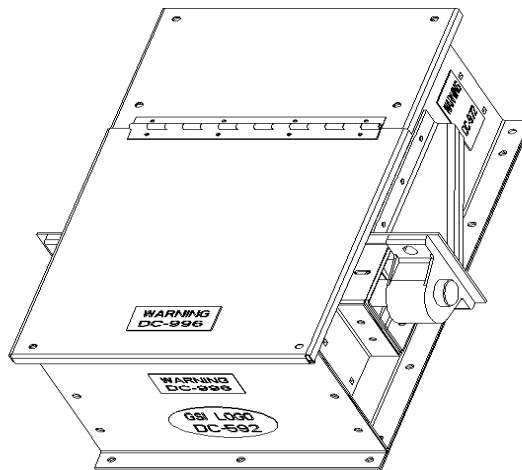
Head Section

The head section of the conveyor is shipped pre-assembled from the factory. Each head section has a tag with serial number. There are sub-assembly instructions in the care and maintenance section of this manual.



Tail Section

The tail section of the conveyor is shipped pre-assembled from the factory. Each tail section has a tag with serial number. There are sub-assembly instructions in the care and maintenance section of this manual.



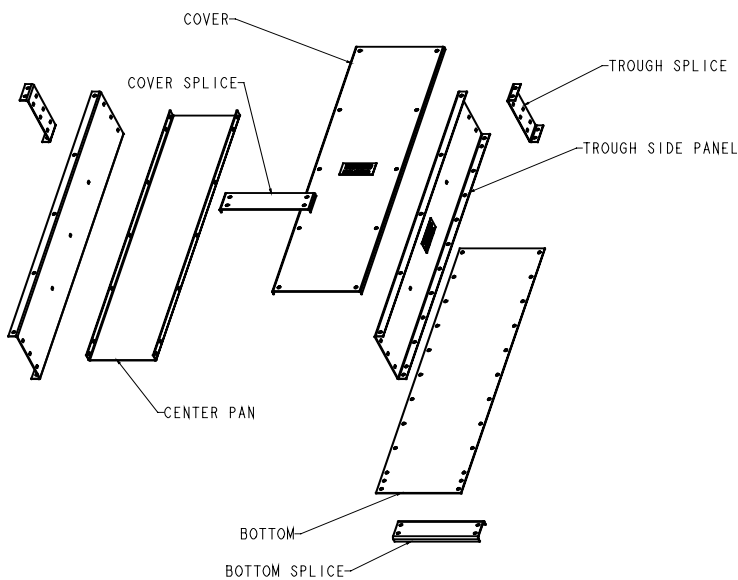
Trough Assembly

Intermediate trough sections come both factory pre-assembled or unassembled. Your order will serve as a reference to how your trough section should arrive.

Assembly sequence for trough sections unassembled:

Fasten trough bottom panel to each trough side panel using 3/8" hex head bolts and 3/8" whiz nuts. Whiz nuts should be located on bottom side of conveyor. The trough bottom panel should extend beyond trough side panels approximately two inches on one end and recessed approximately two inches on the other end.

Fasten center pan, with flange up, using 3/8" carriage bolts through holes provided in trough side panels. At the seams the carriage bolts below the center pan should be welded to the trough side panels. Heads of carriage bolts should be inside the conveyor. For liner package assembly check options portion of this manual.



Conveyor Assembly

Remove trough covers from trough sections to aid the conveyor assembly.

Position a head, tail or other intermediate trough section with holes in bottom flange of trough sides aligned with holes in bottom panel of another section. Using a bottom splice, (4) 3/8" bolts and (4) 3/8" whiz nuts fasten the two sections together. The bottom splice should cover the gap between the two bottom panels, which is offset two inches from the gap in the trough sides.

Position trough splices over the gap between the end of the trough sections and fasten with 3/8" carriage bolts and 3/8" whiz nuts.

Discharge

The standard conveyor is constructed with one discharge located at the drive end. Attach the discharge transition to the bottom of the conveyor head using 3/8" bolts and 3/8" whiz nuts.

Drive Package Assembly

Using hardware provided, attach motor mount angles to motor mount adapter. There are only two motor mount angles on reducers up to a 3 7/16" bore. For reducers with 3 15/16" bore and larger there are four motor mount angles.

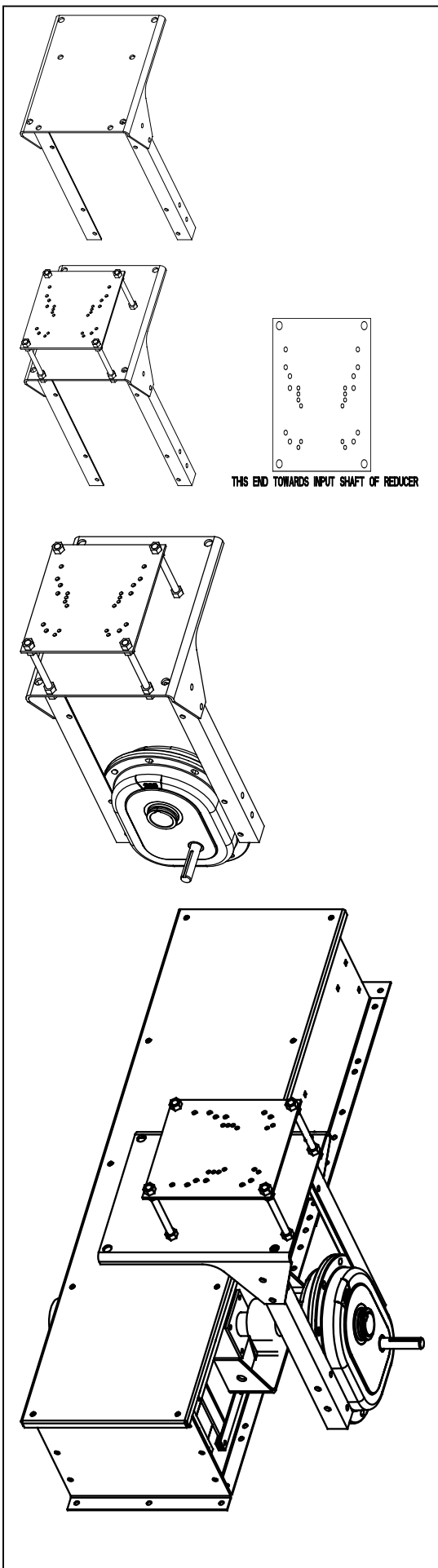
Attach motor base to motor mount adapter using all-thread rods (4) and nuts (16) provided in hardware package. (Note orientation of motor base.)

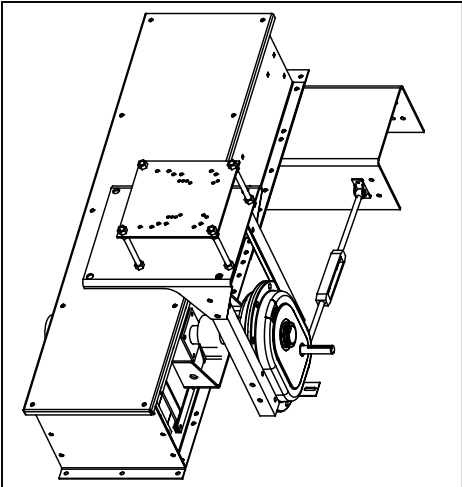
Attach this assembly to the reducer, using the existing bolts in the reducer. The angles should be mounted on the same side as the input shaft.

Remove any rust, paint or imperfections from the drive shaft. The drive shaft must be clean and shiny before installing the reducer drive.

Slide the reducer bushing onto the shaft.

Mount the reducer onto the drive shaft and fasten in place using the reducer bushing and cap screws provided. Do not tighten the bushing cap screws until the end of the drive shaft is protruding through reducer at least a 1/8". Make sure adequate space remains between the bearing and the reducer bushing to allow removal of the bushing cap screws.

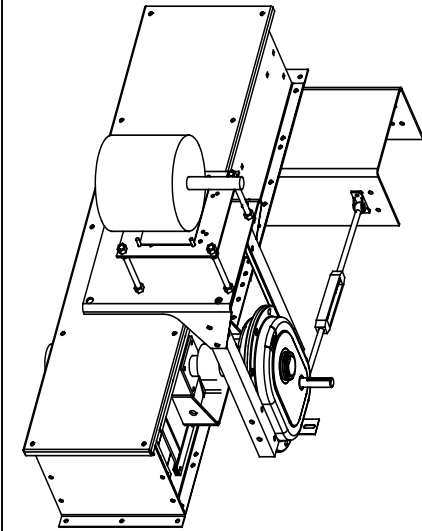




Attach torque arm channel to bottom of conveyor. Some holes may have to be field drilled in bottom panel to attach torque arm channel. The position of the torque arm channel depends on the incline of the head. When the head is on the incline desired the reducer should still be vertical. The torque arm channel should be placed so the torque arm from the reducer can reach when reducer is in the vertical position.

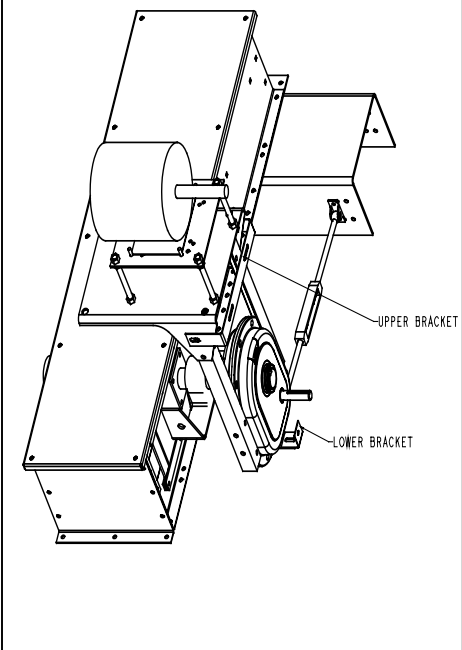
Connect the adjustable torque arm from the reducer to the torque arm channel. Make sure torque arm is mounted on the side of reducer nearest to the torque arm channel. The torque arm should be mounted parallel to the conveyor side.

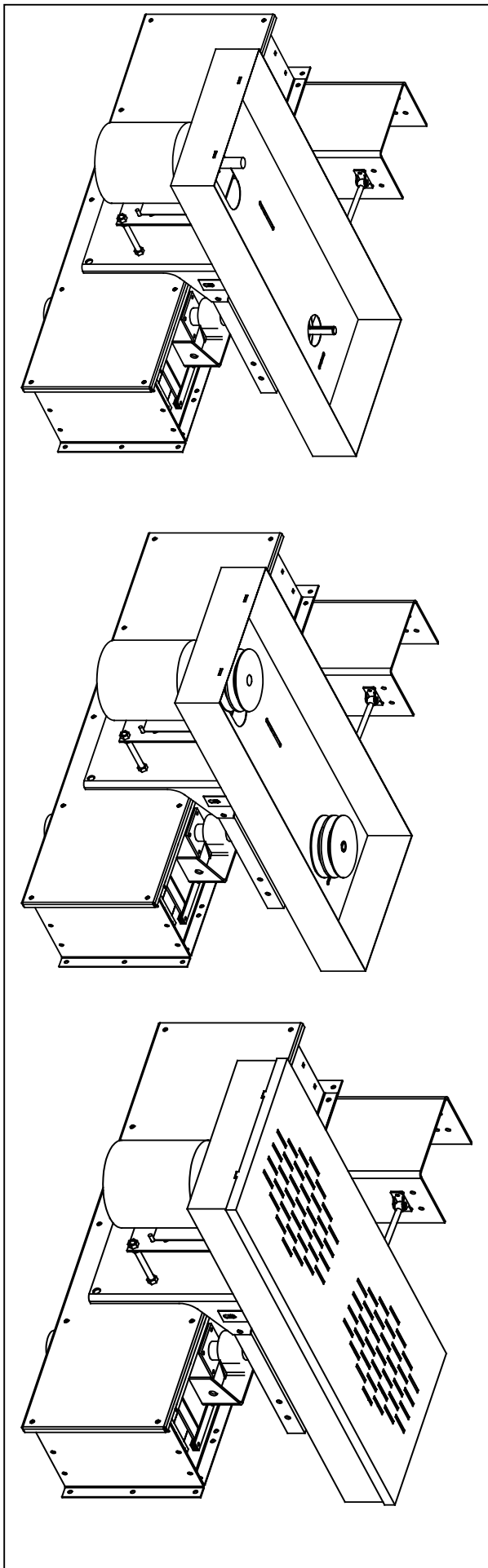
Fasten the motor to the motor mount with hardware provided.



Connect the conveyor motor to a power source according to the motor manufacturer's instructions and recommendations. Due to the hazards involved with electricity, it is recommended that an electrician perform the motor wiring. A shut off switch should be placed near the motor so that the system may easily be shut down to help prevent accidents during maintenance.

Attach upper belt guard bracket and lower belt guard bracket to reducer with hardware provided. The upper bracket should be mounted to the upper holes in the motor mount adapter. The lower bracket is two pieces. The two pieces should be mounted together at slotted holes and then mounted to the reducer.





Place the rear belt guard panel onto the reducer drive shaft and the motor shaft. Attach to the upper and lower brackets with hardware provided.

Remove any rust, paint or imperfections from the motor shaft. Install the motor sheave and sheave bushing on the motor shaft.

Remove any rust, paint or imperfections from the reducer drive shaft. Install the reducer sheave and sheave bushing on the reducer drive shaft

Align the reducer sheave and the motor sheave.

With both sheaves aligned tighten all hardware.

Place the drive belts provided on the sheaves.

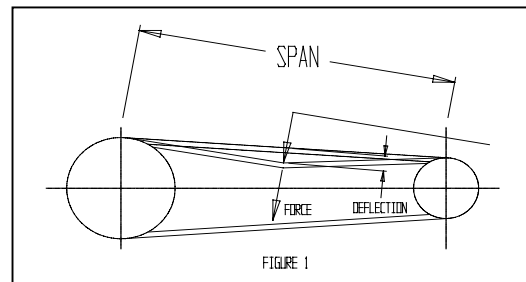
Adjust the all-thread on motor base to tighten according to the instructions provided with reducer.

Proper belt tension is 1/64" of deflection per one (1") inch of sheave centers on one side of the belt, centered between sheaves. (See figure 1)

Position front belt guard cover into the rear belt guard panel and attach using the clips mounted on belt guard panel.

Check lubricant level in the reducer before operation.

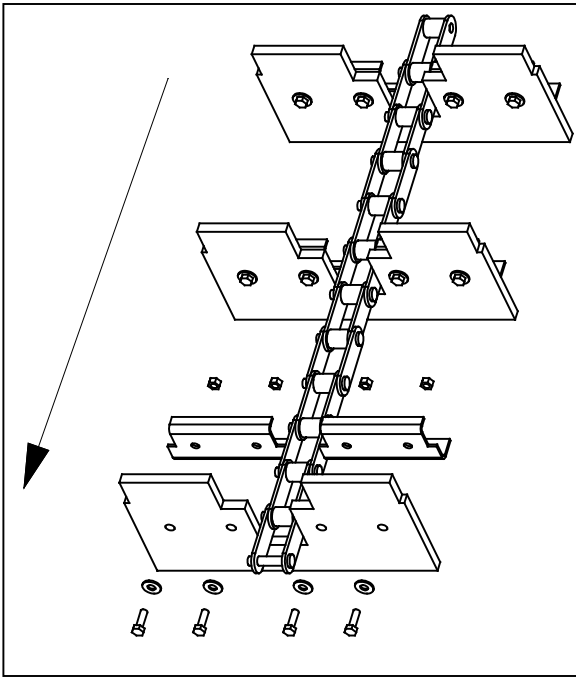
Follow manufacturer recommendations for reducer lubrication.



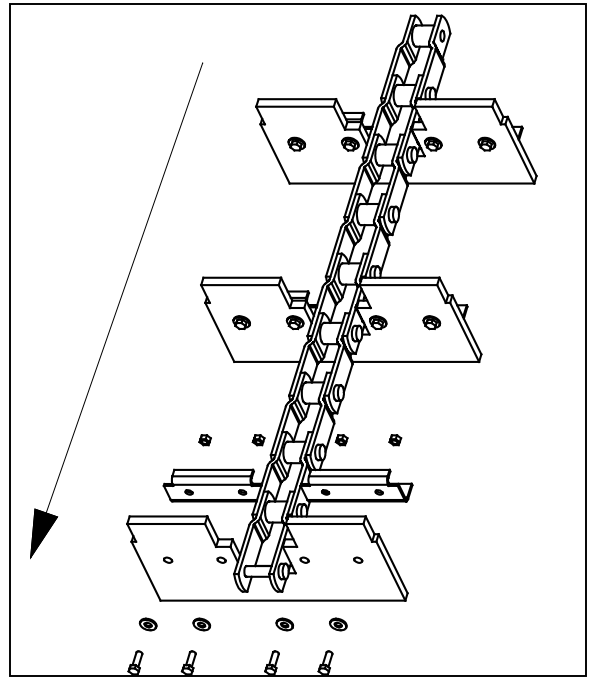
Chain

All chain is shipped in approximate 10 foot lengths. The UHMW wiper flights should be in front of the welded chain flights in the direction of chain travel (see diagram).

Adjust take-up screws to position the take-up sprocket as far from the end of the conveyor as possible. Assemble all of the sections of chain using the connecting links provided with chain assembly. With the assembled conveyor mounted in its permanent position, install the chain assembly in the bottom of the conveyor and wrap chain around the sprocket at the head and tail of the conveyor. Using a ratchet cable puller, pull the two ends of the chain together. Remove the unneeded chain and fasten the two ends together using a connecting link furnished with the chain assembly. Adjust take-up screws to tighten the chain.



81X Chain Assembly



4" Pitch Roller Chain Assembly

Cover

Rope or silicone caulk should be used on all surfaces where the trough covers splices come in contact with the trough covers. Bolt all of the trough cover panels in place using 3/8" bolts and 3/8" whiz nuts. Leave the end bolt holes open on each trough cover for the installation of the cover splices. Install the cover splices over the gaps in the trough covers using 3/8" bolts and 3/8" whiz nuts.

Inlet Assembly

Inlets mounted too close to the tail chain sprockets will allow grain to come in contact with the sprocket and chain pinch. This may cause excessive damage to any grain being conveyed. The minimum distance from the tail splice joint to the nearest edge of the inlet assembly should be equal to the inlet opening plus 2 inches ($A + 2''$ in Figure 2).

The angle iron guard in the middle of the inlet assembly should be in position to divert flowing grain from the chain links.

When the proper position for the inlet is determined, a full conveyor width opening should be cut into the conveyor cover. Another opening should be cut in the center pan. The opening should start at the edge of the inlet and extend a distance of twice the inlet opening, towards the tail. The width of the opening should be determined by starting the opening a distance of $1\frac{1}{4}''$ from inside edge of conveyor. (See Figure 2)

Using the inlet assembly provided, drill $\frac{7}{16}''$ holes in the top flange of the conveyor trough sides.

Fasten the inlet assembly in place using 3/8" bolts and 3/8" whiz nuts.

Use the same caulking material for the inlet assemblies that was used for the trough cover panels.

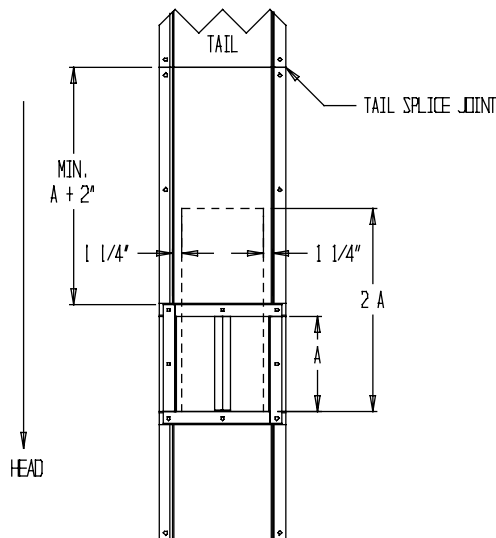
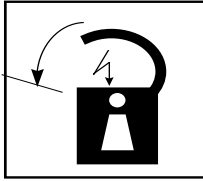


Figure 2

Care and Maintenance

The care and maintenance section is provided with the intention of helping to extend the useful life of the unit. Like all equipment, the useful life of the conveyor is greatly reduced if not used wisely and well maintained.



Before any maintenance is performed to the conveyor, power must be shut off and locked out to prevent accidental start up!

Check oil level in shaft mount reducer periodically. Fill to level as recommend by Manufacturer.

Check all bearings and moving parts daily during use.
Follow bearing manufacturer recommendations.

Lubricate all greasable fittings two to three times during the use season. Use a good grade lubricant. Do not over-lubricate.

The V-belt(s) should be periodically inspected for proper tension and wear. V-belts should be replaced as necessary. If replacement or tension adjustment is required, refer to the Assembly Section(s).

The drag chain and sprockets should be checked periodically for wear, damage, and proper adjustment. Any broken or bent paddles should be replaced or straightened. Should adjustment or replacement of the drag chain or sprockets be required, refer to the Assembly Section(s).

Storage

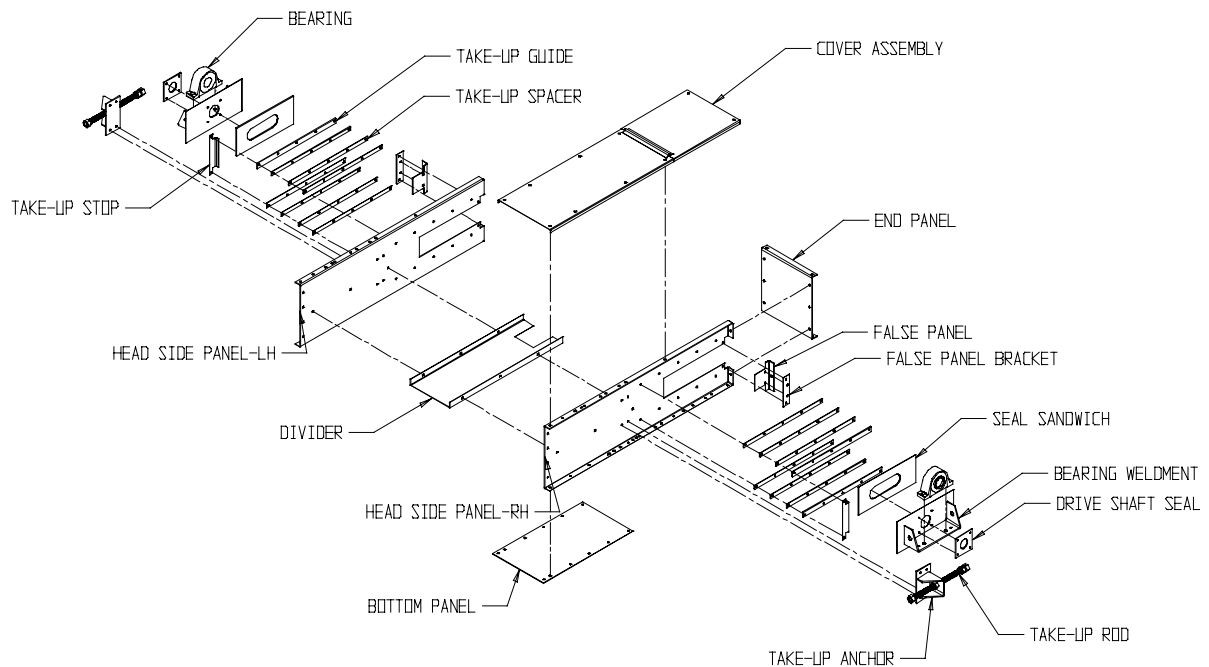
If the unit is to be inactive for an extended period, the following procedures are recommended.

Thoroughly clean the unit.

Loosen the drag chain tension. Doing so relieves the stress placed on the bearings and shafts of the drive and tail sections.

Lubricate drag chains, shafts, and drive components with a good grade of light machine oil.

Incline Conveyor Head Section Sub-assembly



Assembly sequence for incline head section sub-assembly.

Fasten head bottom panel to each head side panel using 3/8" hex head bolts and 3/8" whiz nuts. Whiz nuts should be located on bottom side of conveyor. The head bottom panel should extend beyond head side panels approximately two inches.

Mount divider with flange up using 3/8" carriage bolts and 3/8" whiz nuts through holes provided in head side panels. Heads of carriage bolts should be inside the conveyor

Insert key into shaft. Slide sprocket onto the head shaft. **DO NOT TIGHTEN** setscrews at this time. After final assembly of head section unit, the sprocket must be centered between the side panels before tightened into place.

Place UHMW seal sandwich (white plastic rectangle with large slot) seal onto each end of shaft/sprocket assembly. Insert each end of shaft/sprocket assembly into take-up bearing weldment. Place UHMW seal (white plastic square with one large hole and four smaller holes) onto each end of shaft/sprocket assembly. Mount seal over 5/16" studs with 5/16" whiz nuts. Insert each end of shaft/sprocket assembly into properly sized pillow block bearing. Mount pillow block bearings to take-up bearing weldment. **DO NOT TIGHTEN** setscrews at this time.

Slide above assembly into slot at end of head until take-up bearing weldment hits take-up stop.

Fasten false panel and false panel bracket to head side panels with 3/8" carriage bolts and 3/8" whiz nuts. Attach end panel to side panels of head with 3/8" hex head bolts and 3/8" whiz nuts.

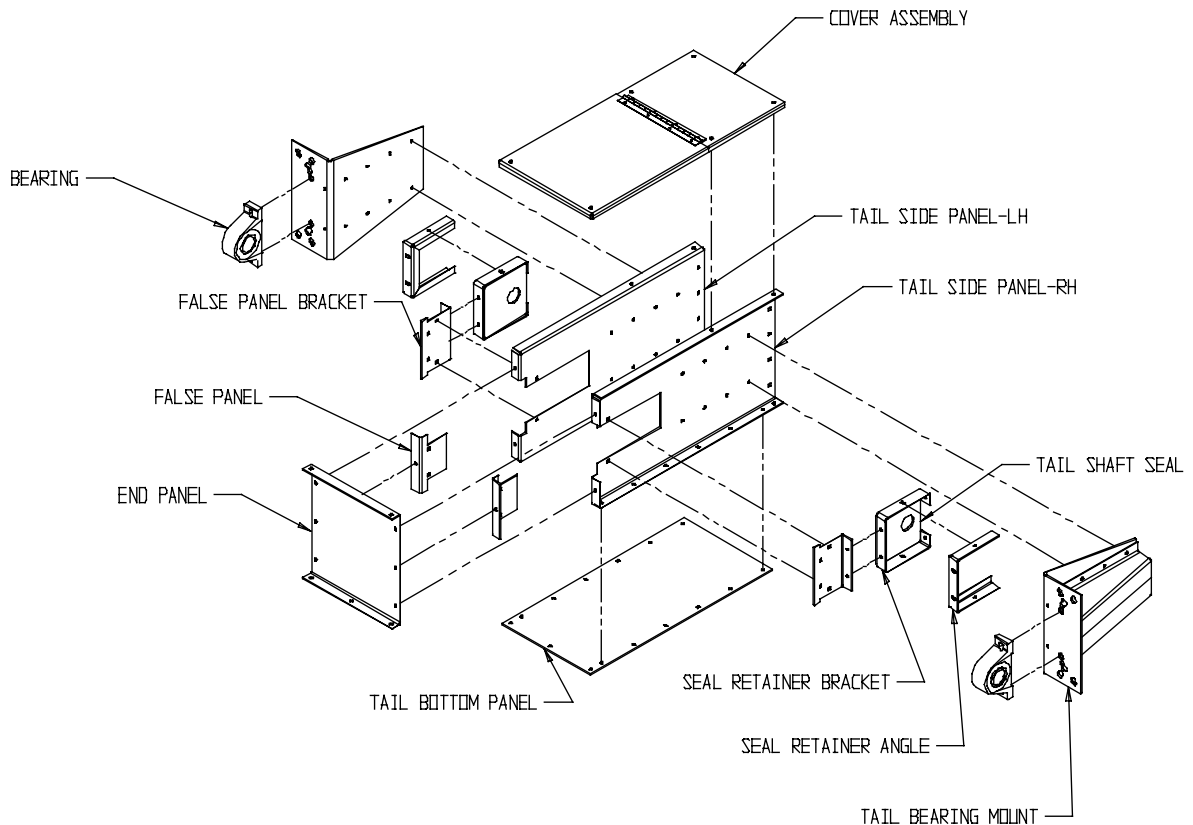
Take-up rod should have one welded nut already in place. Place another nut on rod and insert into take-up anchor. Place two nuts onto take-up rod and insert into take-up bearing weldment. Finish by placing nut with pre-drilled hole on rod, place roll pin through nut and rod.

Attach discharge transition weldment to head side panels using 3/8" hex head bolts and 3/8" whiz nuts. Then attach discharge transition splice plate between head bottom panel and discharge transition. If a bottom liner is specified, a spacer between the head bottom panel and the discharge transition splice is furnished, and should be properly positioned between these two components before fasteners are inserted.

Center sprocket between head side panels and tighten all setscrews.

Place cover assembly on top of conveyor and fasten with 3/8" hex head bolts and 3/8" whiz nuts.

Incline Conveyor Tail Section Sub-Assembly



Assembly sequence for incline tail section sub-assembly.

Fasten tail bottom panel to each tail side panel using 3/8" hex head bolts and 3/8" whiz nuts. Whiz nuts should be located on bottom side of conveyor. The tail bottom panel should be recessed approximately two inches.

Insert key into shaft. Slide sprocket onto the tail shaft. **DO NOT TIGHTEN** setscrews at this time. After final assembly of tail section unit, the sprocket must be centered between the side panels before tightened into place.

Place UHMW (white plastic square with large hole) seal onto each end of shaft/sprocket assembly. Insert each end of shaft/sprocket assembly into properly sized pillow block bearing. **DO NOT TIGHTEN** setscrews at this time.

Slide above assembly into slot at end of tail until pillow block bearings can be mounted onto the bearing weldments with the bolt, flat washers, lock washers, and nuts provided in the hardware bag.

Bolt seal retainer bracket and false panel in place using 5/16" hex head bolts and 5/16" whiz nuts. Fasten false panel and false panel bracket to tail side panels with 3/8" carriage bolts and 3/8" whiz nuts. Position seal retainer angle inside seal retainer bracket and push towards tail side panel to secure the tail shaft seal. Secure the seal retainer angle in place with 5/16" hex head bolts and 5/16" whiz nuts. Attach end panel to side panels of tail with 3/8" hex head bolts and 3/8" whiz nuts.

Center sprocket between tail panels and tighten all setscrews.

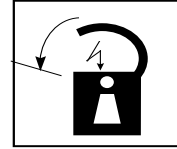
Place cover assembly on top of conveyor and fasten with 3/8" hex head bolts and 3/8" whiz nuts.

Options

The standard Series I incline conveyors have been designed to meet most conveyor operation criteria. However, to better serve customer special applications, a number of options are available for the conveyors. Descriptions of the options, their installation, care and maintenance will be covered in this section.



WARNING! POWER MUST BE SHUT OFF AND LOCKED OUT BEFORE ANY OPTIONS ARE INSTALLED.



Liner Packages

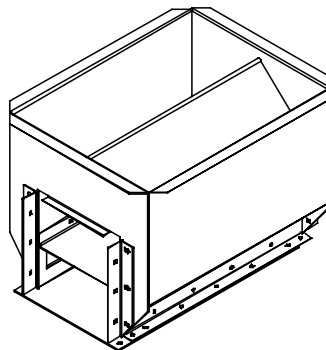
Bottom A.R. liners come standard with a galvanized cover sheet. The installation is the same as the standard 8-gage bottom.

Shock Relay

Refer to installation instructions within the shock relay package.

Standard Bypass Inlets

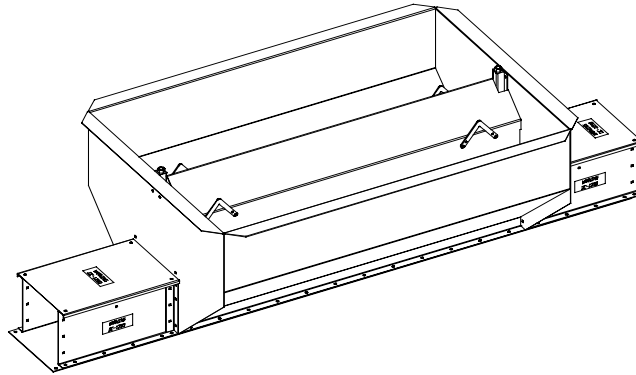
Standard bypass inlets come pre-assembled from the factory. The inlets are a standard 28 in. conveyor section. The hogback is stationary in standard bypass inlets. Standard bypass inlets must be mounted horizontally. If not mounted horizontally, capacity will be reduced.



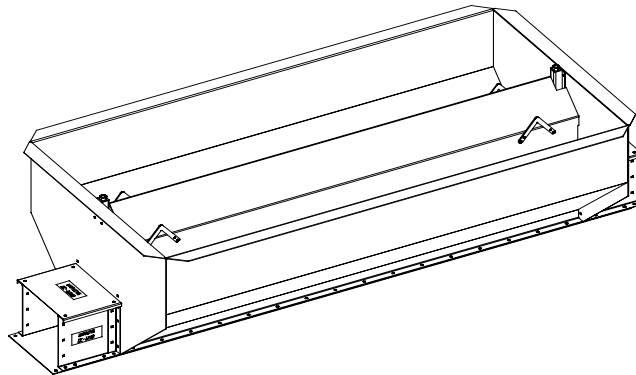
Standard Bypass Inlet

Bypass Dump Hoppers

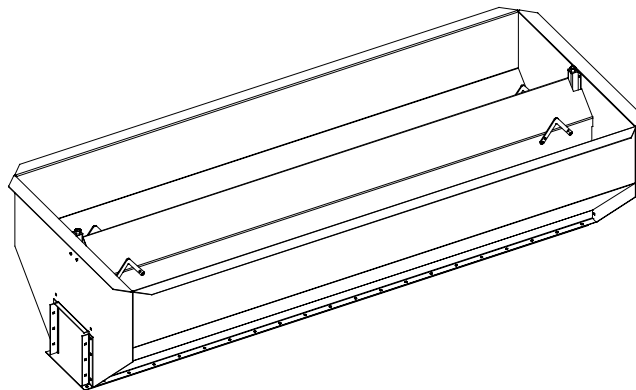
Bypass dump hoppers come pre-assembled from the factory. The bypass dump hoppers replace a standard 10-ft. conveyor section. The hoppers can be 6-ft., 8-ft., and 10-ft. lengths. The hogback is adjustable in the bypass dump hoppers. Bypass dump hoppers must be mounted horizontally. If not mounted horizontally, capacity will be reduced.



6-ft. Bypass Dump Hopper



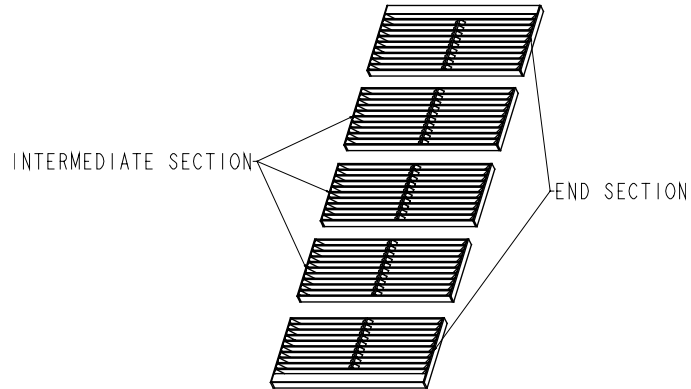
8-ft. Bypass Dump Hopper



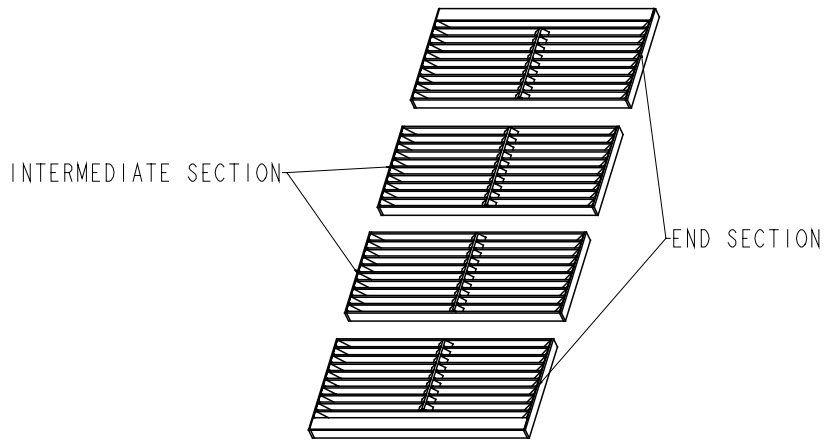
10-ft. Bypass Dump Hopper

Grate

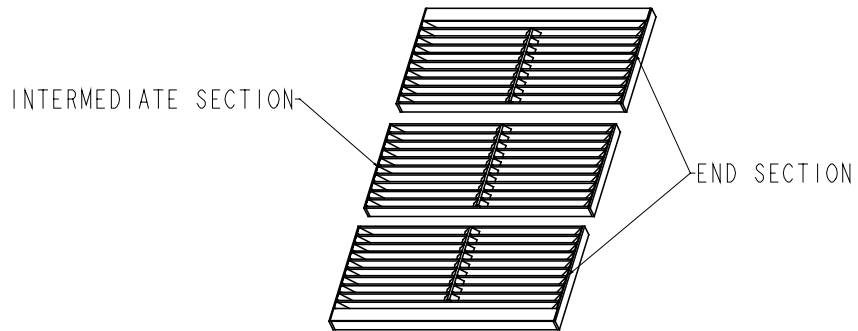
Grates are shipped from factory in sections.



10' Bypass Dump Hopper Grate



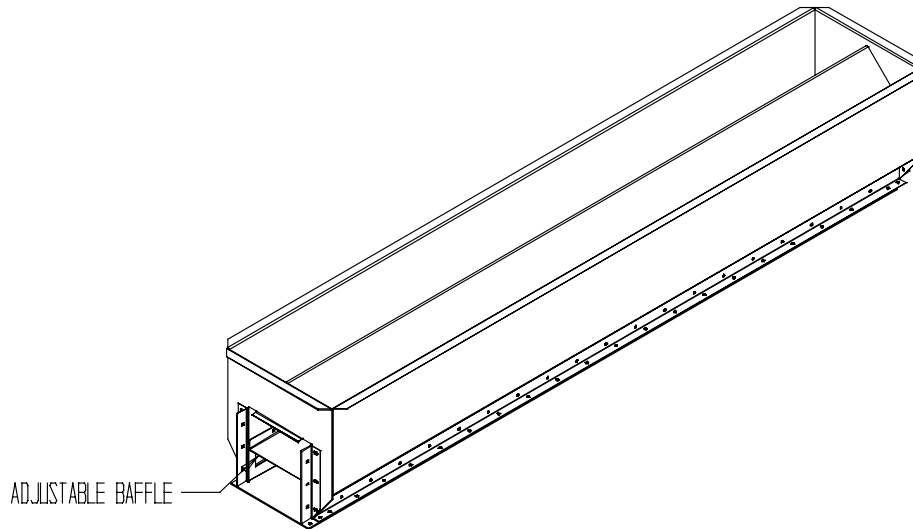
8' Bypass Dump Hopper Grate



6' Bypass Dump Hopper Grate

10 Foot Adjustable Bypass Inlets

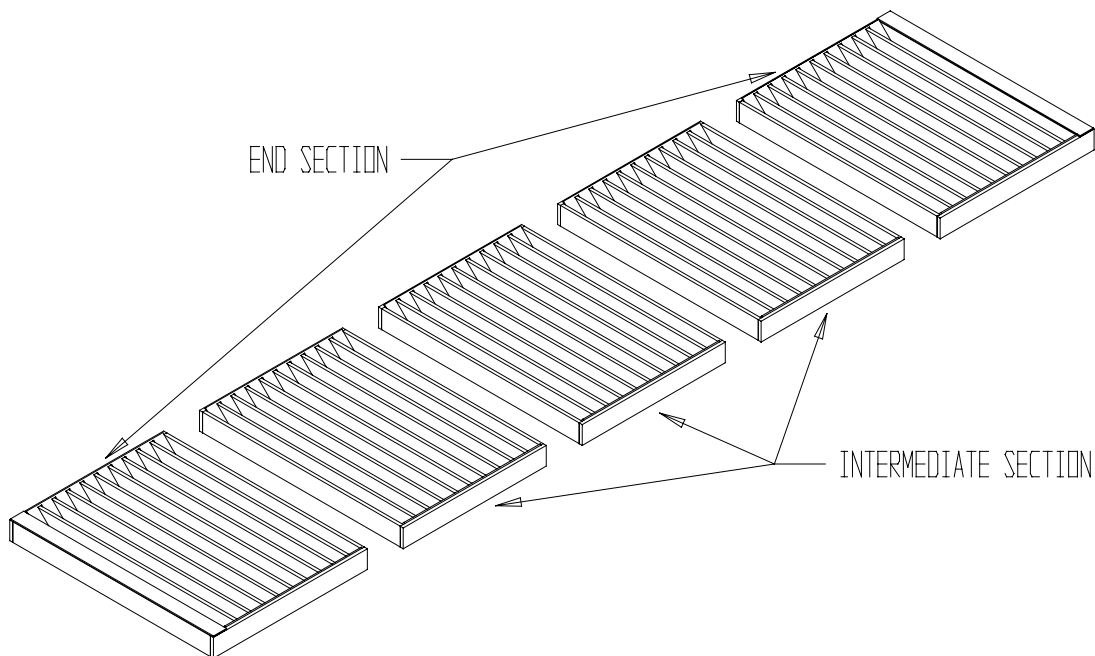
10 foot adjustable bypass inlets come pre-assembled from the factory. The 10 foot adjustable bypass inlets are a standard 120 in. conveyor section. The hogback is stationary, with an adjustable baffle at each side inlet to the bottom chamber of the conveyor. 10 foot adjustable bypass inlets must be mounted horizontally. If not mounted horizontally, capacity will be reduced.



10 Foot Adjustable Bypass Inlet

Grate

Grates are shipped from factory in sections.



10' Adjustable Bypass Inlet Grate

Trouble Shooting

Trouble Shooting Guide

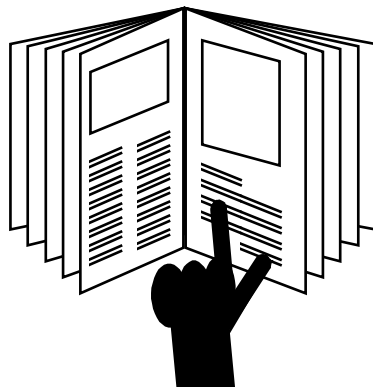
<u>Problem</u>	<u>Cause</u>	<u>Solution</u>
<u>Low Capacity</u>	Improper chain speed Improper feed Plugging Baffle or adjustable hogback setting too low	Check the shaft RPM Check the grain level at inlet Check the discharges Increase opening
<u>Noisy Operation</u>	Loose UHMW Paddles Bottom and/or Divider not aligned Worn drive components Worn chain and/or sprockets	Check all bolts on chain Check intermediate trough section Joints and make flush Check oil level and shaft seals Belt misalignment; loose belts Check chain sprockets and chain
<u>Uneven UHMW Paddle Wear</u>	Conveyor Misalignment Sprocket Slipped	Check the conveyor alignment Check set screws on sprockets
<u>Uneven sprocket wear</u>	Worn chain Improper alignment	Replace chain Check sprocket alignment

Contact your local contractor for added assistance.

EMPLOYER / EMPLOYEE TRAINING SIGN OFF SHEET

The company is making every effort to warn, guard, and educate the consumer when using the various kinds of equipment that we manufacture. The company has included this sign off sheet for you and your staff to use in the training process on installation and operation of the equipment described in this manual. Read the entire manual, sign off, and date on chart below.

DATE	EMPLOYEE SIGNATURE	DATE	EMPLOYEE SIGNATURE



EQUIPMENT MAINTENANCE RECORD

DATE	MAINTENANCE PERFORMED	INITIAL

Limited Warranty — N.A. Grain Products

The GSI Group, LLC. (“GSI”) warrants products which it manufactures, to be free of defects in materials and workmanship under normal usage and conditions for a period of 12 months from the date of shipment (or, if shipped by vessel, 14 months from the date of arrival at the port of discharge). If, in GSI’s sole judgment, a product is found to have a defect in materials and/or workmanship, GSI will, at its own option and expense, repair or replace the product or refund the purchase price. This Limited Warranty is subject to extension and other terms as set forth below.

Warranty Enhancements: The warranty period for the following products is enhanced as shown below and is in lieu of (and not in addition to) the above stated warranty period. (Warranty Period is from date of shipment.)

	Product	Warranty Period
Storage	Grain Bin Structural Design • Sidewall, roof, doors, platforms and walkarounds • Flooring (when installed using GSI specified floor support system for that floor) • Hopper tanks (BFT, GHT, NCHT, and FCHT)	5 Years
Conditioning	Dryer Structural Design – (Tower, Portable and TopDry) • Includes (frame, portable dryer screens, ladders, access doors and platforms)	5 Years
	All other Dryer parts including: • Electrical (controls, sensors, switches and internal wiring)	2 Years
	All Non-PTO Driven Centrifugal and Axial Fans	3 Years
	Bullseye Controllers	2 Years
Material Handling	Bucket Elevators Structural Design	5 Years
	Towers Structural Design	5 Years
	Catwalks Structural Design	5 Years
	Accessories (stairs, ladders and platforms) Structural Design	5 Years

Conditions and Limitations:

THERE ARE NO WARRANTIES THAT EXTEND BEYOND THE LIMITED WARRANTY DESCRIPTION SET FORTH HEREIN; SPECIFICALLY, GSI DISCLAIMS ANY AND ALL OTHER WARRANTIES OF ANY KIND, EXPRESS OR IMPLIED, INCLUDING, WITHOUT LIMITATION, WARRANTIES OF MERCHANTABILITY OR FITNESS FOR A PARTICULAR PURPOSE OR USE IN CONNECTION WITH: (I) ANY PRODUCT MANUFACTURED OR SOLD BY GSI, OR (II) ANY ADVICE, INSTRUCTION, RECOMMENDATION OR SUGGESTION PROVIDED BY AN AGENT, REPRESENTATIVE OR EMPLOYEE OF GSI REGARDING OR RELATED TO THE CONFIGURATION, INSTALLATION, LAYOUT, SUITABILITY FOR A PARTICULAR PURPOSE, OR DESIGN OF SUCH PRODUCTS.

The sole and exclusive remedy for any claimant is set forth in this Limited Warranty and shall not exceed the amount paid for the product purchased. This Warranty only covers the value of the warranted parts and equipment, and does not cover labor charges for removing or installing defective parts, shipping charges with respect to such parts, any applicable sales or other taxes, or any other charges or expenses not specified in this Warranty. GSI shall not be liable for any other direct, indirect, incidental or consequential damages, including, without limitation, loss of anticipated profits or benefits. Expenses incurred by or on behalf of a claimant without prior written authorization from the GSI warranty department shall not be reimbursed. This warranty is not transferable and applies only to the original end-user. GSI shall have no obligation or responsibility for any representations or warranties made by or on behalf of any dealer, agent or distributor. Prior to installation, the end-user bears all responsibility to comply with federal, state and local codes which apply to the location and installation of the products.

This Limited Warranty extends solely to products sold by GSI and does not cover any parts, components or materials used in conjunction with the product, that are not sold by GSI. GSI assumes no responsibility for claims resulting from construction defects, unauthorized modifications, corrosion or other cosmetic issues caused by storage, application or environmental conditions. Modifications to products not specifically delineated in the manual accompanying the product at initial sale will void all warranties. This Limited Warranty shall not extend to products or parts which have been damaged by negligent use, misuse, alteration, accident or which have been improperly/inadequately maintained.

Notice Procedure:

In order to make a valid warranty claim a written notice of the claim must be submitted, using the RMA form, within 60 days of discovery of a warrantable nonconformance. The RMA form is found on the OneGSI portal.

Service Parts:

GSI warrants, subject to all other conditions described in this Warranty, Service Parts which it manufactures for a period of 12 months from the date of purchase unless specified in Enhancements above.

T H E G S I G R O U P

1004 East Illinois Street
Assumption, IL 52510-0020

May-01