



With our recent addition of the Material Handling Accessories offering, GSI is now able to provide you with the full Side Draw package as shown in [Figure 1](#) and [Figure 2](#). You can choose from hinged or fixed applications, in galvanized or primed. In addition to the Side Draw Weldment and Rack and Pinion Gate traditionally included in the Side Draw package, the extension packages include the following:

NOTE: Side Draw Package is available in the galvanized and primed finish.

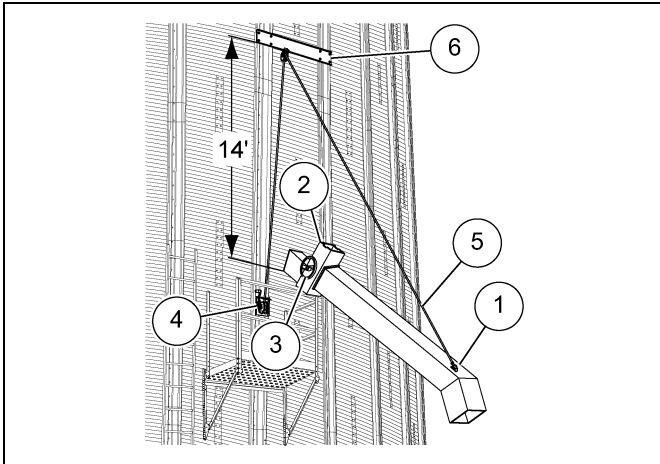


Figure 1 Side Draw Extension Closed Position

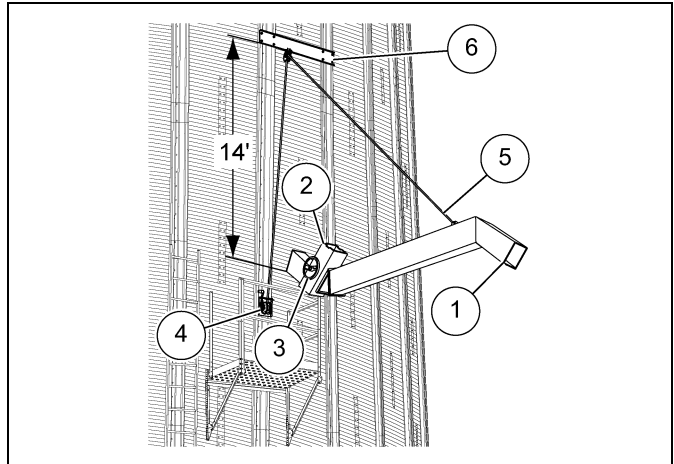


Figure 2 Side Draw Extension Open Position

| Ref # | Description |
|-------|--|
| 1 | Side Draw Extension (5' or 10' Length) |
| 2 | Gate |
| 3 | Side Draw to Extension Gate |

| Ref # | Description |
|-------|-------------------------------|
| 4 | Winch Assembly |
| 5 | Cable Assembly |
| 6 | Pulley Bracket (Not Provided) |

Hinged Side Draw Extension

1. 12" Square to square transition, specially designed to fit GSI's gate.
2. 12" standard square hinge.
3. 12" Welded seam, flanged square spout with turn down, 10 Gauge (10' or 5' length).
4. 200# Winch. (Ratcheting with handle and cable keeper.)
5. Pulley kit.
6. 100' of 3/16" Cable.

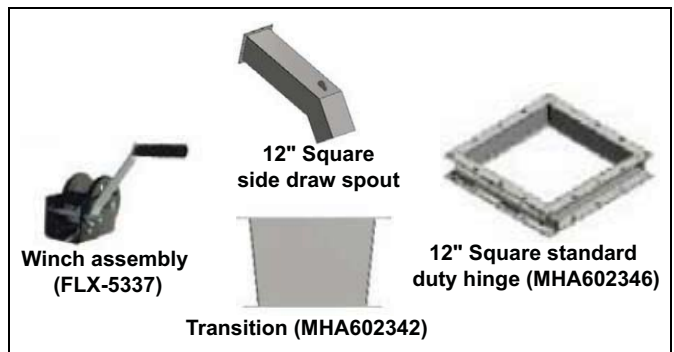


Figure 3

Fixed Side Draw Extension

1. 12" Welded seam, flanged square spout, 10 Gauge (10' or 5' length) with turn down.
2. 12" Square to square transition, specially designed to fit GSI's gate.

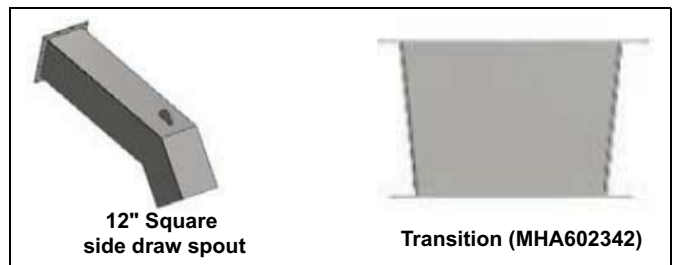


Figure 4



Side Draw Extension Package Installation

Assembling the Outside Cable Pulley

1. Position the large pulley bracket (5) horizontally from the center of the stiffener (11).

NOTE: When positioning the pulley, ensure the pulley cable does not interfere with the chutes. This can only be accomplished at every other stiffener (11).

NOTE: Position the assembly at 96" above the side draw.

2. Field drill four 3/8" diameter holes (10) in the second ring 12" from the center of the hole on the horizontal seam.

3. Install the large pulley bracket (5) and small pulley bracket (6) to the sidewall (12) with the 5/16" bolts (7) and 5/16" nuts (8).

NOTE: Make sure that the bolt (7) is installed from the inside of the bin.

4. Field drill 1/2" hole (9) into the sidewall (12) to allow the cable to pass through.

5. Install the pulley (1) between the pulley brackets (5 and 6) with 3/8" shoulder bolt (2), 3/8" washer (3), and 3/8" nut (4).

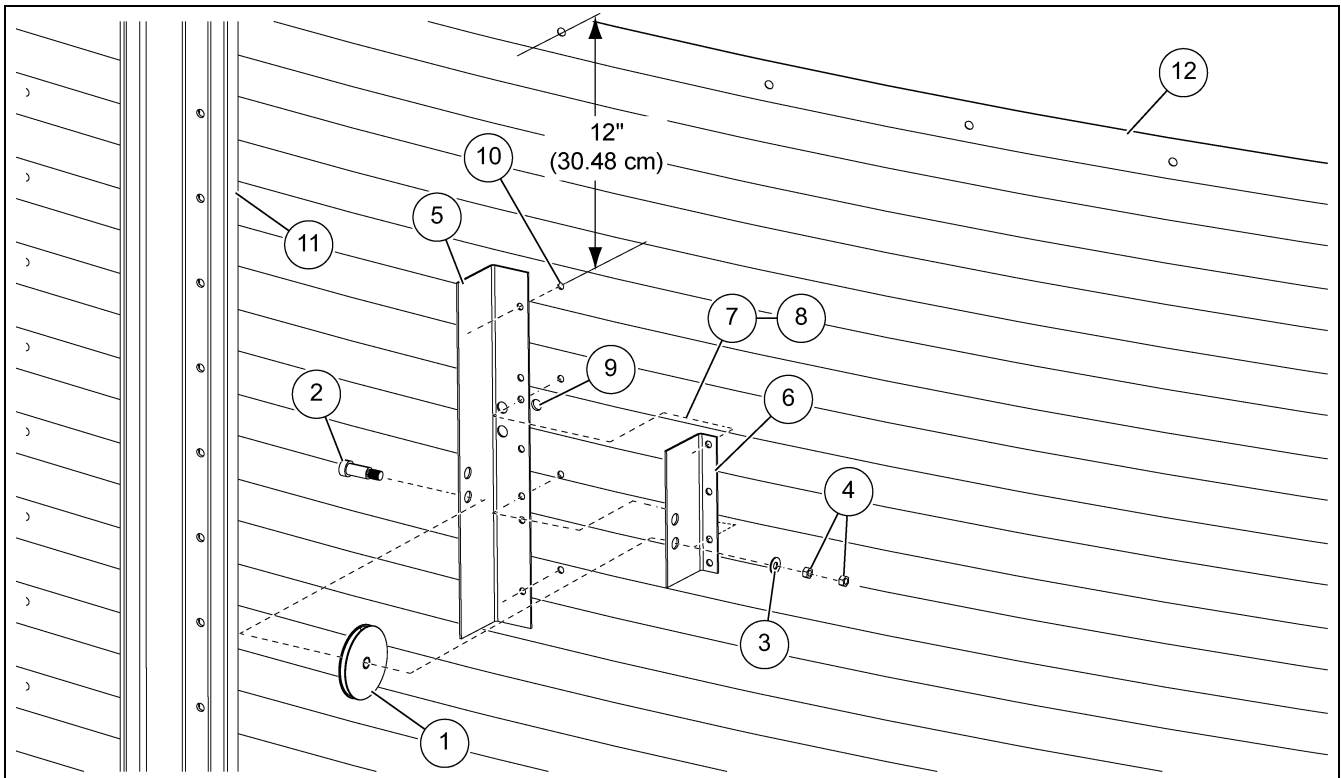


Figure 5 Outside Pulley Assembly

| Ref # | Part # | Description |
|-------|-----------|--------------------------------|
| 1 | TD-101360 | Pulley Assembly |
| 2 | S-4749 | 3/8"-16 x 1-7/8" Shoulder Bolt |
| 3 | S-845 | 3/8" Flat Washer |
| 4 | S-456 | 3/8" Nut |
| 5 | TD-100038 | Large Pulley Bracket |
| 6 | TD-100039 | Small Pulley Bracket |

| Ref # | Description |
|-------|---------------------------------|
| 7 | 5/16"-18 x 1" Bolt (S-10260) |
| 8 | 5/16" Nut (S-396) |
| 9 | Field Drill 1/2" Hole for Cable |
| 10 | Field Drill 3/8" Holes |
| 11 | Stiffener |
| 12 | Sidewall Sheet |

Assembling the Winch

The winch assembly (1) is used to raise and lower the chutes.

Make sure the winch assembly (1) is installed in the straight line of the outside pulley assembly.

1. Install the winch mount bracket (2) and winch assembly (1) to the sidewall (8) with the 5/16" bolts (4) and 5/16" nuts (5).
2. Install the winch stop bracket (3) to the winch mount bracket (2) and sidewall (8) with the 5/16" bolts (4) and 5/16" nuts (5).
3. Remove the cable clamps (7) from either side of the pulley on the cross channel and make sure that the chutes are pulled tightly shut.
4. Check for the uniformity of the chains on the chutes and re-adjust if required.
5. Open the chutes until the cable clamp (7) is about 30" above the winch stop bracket (3). Attach another cable clamp (7) just below the small outside pulley bracket (9) making sure it is tight.

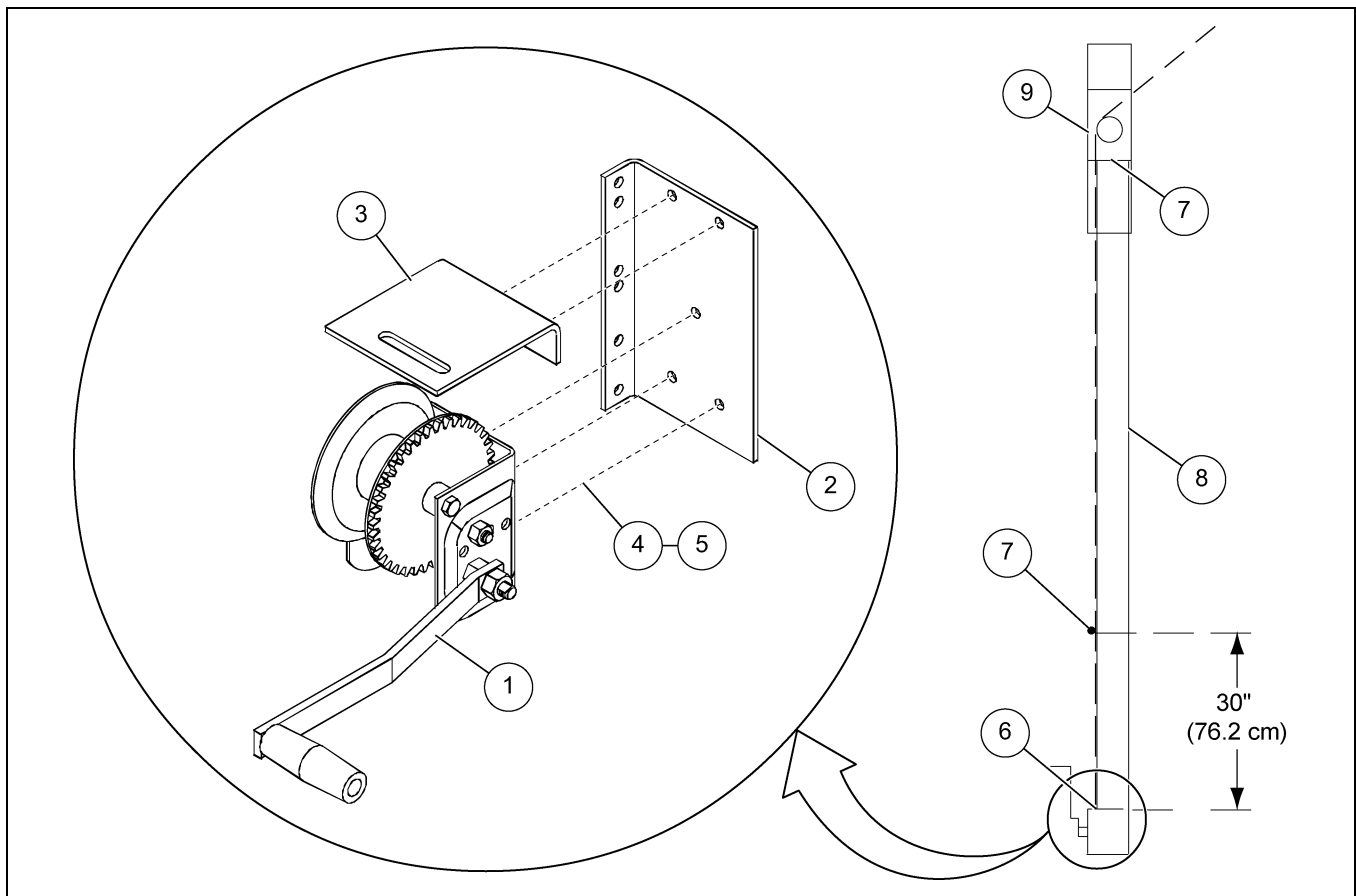


Figure 6 Winch Assembly

| Ref # | Part # | Description |
|-------|-----------|-----------------------------|
| 1 | FLX-5337 | Winch Assembly |
| 2 | TD-100041 | Winch Mount Bracket |
| 3 | TD-100040 | Winch Stop Bracket |
| 4 | S-10267 | 5/16"-18 x 3/4" Flange Bolt |
| 5 | S-3611 | 5/16" Flange Nut |

| Ref # | Description |
|-------|------------------------|
| 6 | Cable Stop |
| 7 | Cable Clamp |
| 8 | Sidewall |
| 9 | Outside Pulley Bracket |