

Stock Size	PAGE 1		
Material	N/A		
Sheet 1 of 2	IMR	N/A	Drawing No.
Weight Index	N/A	Sq. Ft.	N/A
Drawn By	TJH	Date	04-Mar-05
Checked By	TBD	Date	00-00-00
		Scale	NONE
		Work to Dimensions	Do Not Scale

No.	ECN	Revision Description	Date	By
1	CN-150387	LDR-4394 WAS LDR-4396; LDR-4396 WAS LDR-4394; LDR-4400 WAS	4/29/08	JBW
1	CN-150387	LDR-4387; LDR-4399 WAS LDR-4386; ADDED NOTE TO LDR-4345	4/29/08	JBW

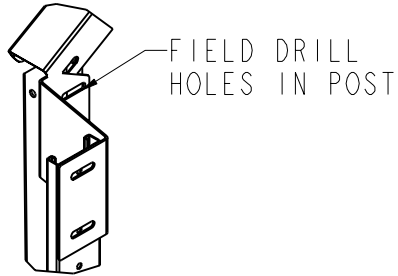
THE GSI GROUP
Assumption, IL

GRAIN SYSTEMS

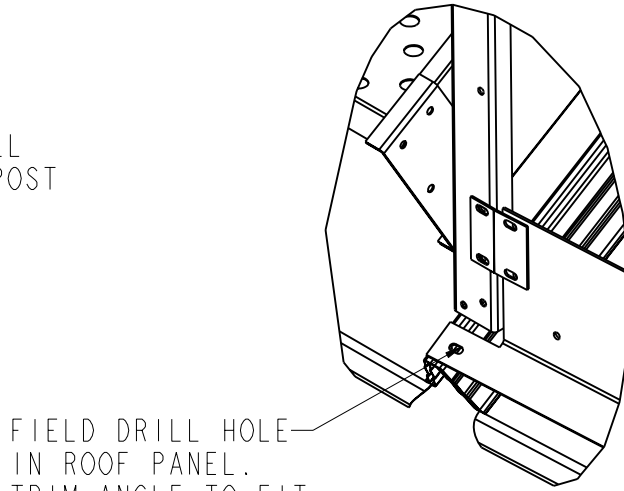
105' C SERIES ROOF STAIR ASSEMBLY

TOLERANCES
(Unless Noted)
Fractions +/- 1/32
Decimals +/- .031
Angles +/- 1.00

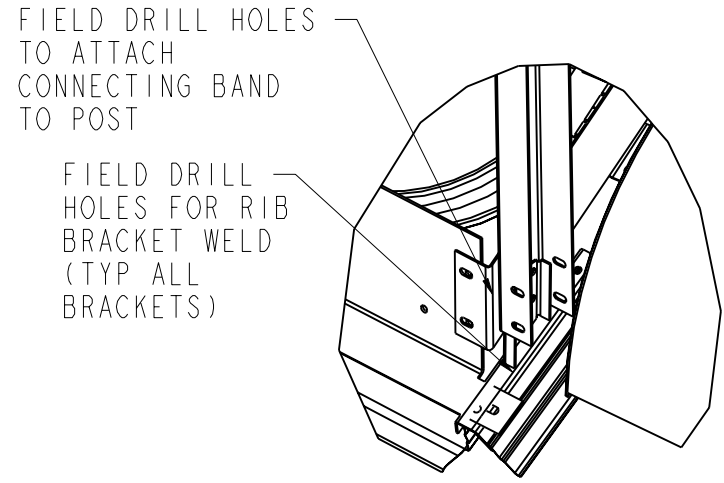
Drawing No.
PNEG-1442



DETAIL A
SCALE 0.125

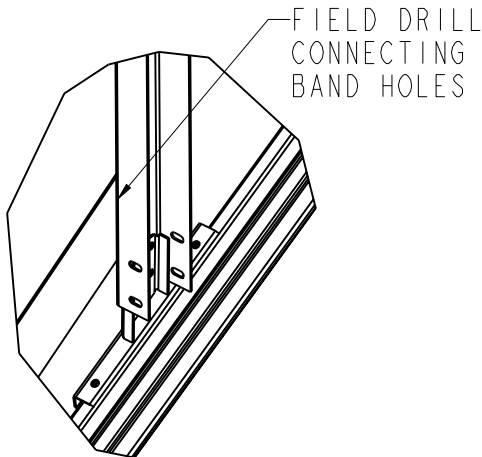


DETAIL B
SCALE 0.125

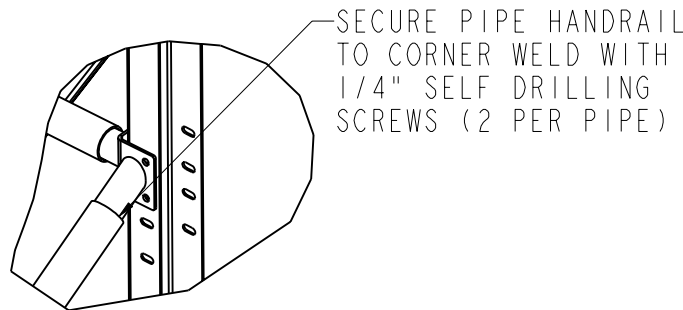


DETAIL C
SCALE 0.125

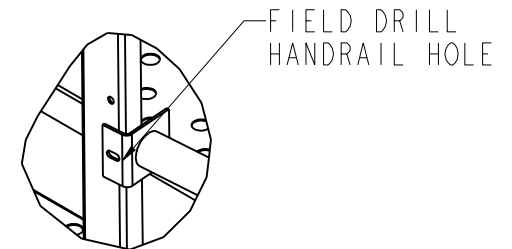
FIELD DRILL HOLES AS NECESSARY. USE 5/16" HARDWARE FOR ALL CONNECTIONS. USE A 5/16" WASHER FOR ALL SLOTTED CONNECTIONS. USE 1/4" SELF DRILLING SCREWS TO SECURE HANDRAILS TO CORNER WELDMENTS



DETAIL D
SCALE 0.125



DETAIL E
SCALE 0.125



DETAIL F
SCALE 0.125

Stock Size: PAGE 2			
Material: N/A			
Sheet 2 of 2		IMW: N/A	Drawing No. PNEG-1442
Weight Index: N/A	Sq. Ft.: N/A	Ship Wt.: N/A	
Drawn By: TJH	Date: 04-Mar-05	Scale: NONE	
Checked By: TBD	Date: 00-00-00	Work to Dimensions Do Not Scale	

		105' C SERIES ROOF STAIR ASSEMBLY		TOLERANCES (Unless Noted) Fractions +/- 1/32" Decimals +/- .031 Angles +/- 1.00	
Engineering Division: GRAIN SYSTEMS		GRAIN SYSTEMS		ASSEMBLY	
No.	ECN	Revision Description	Date	By	