



NOTE: Refer to the [Tables on Page 2](#) for the dimensions while installing the bridge beam weldment.

- A. Center support weldment on floor planks, one support under each floor plank. (See Ref # A in [Figure 1](#).)
- B. Attach additional supports with 5/16" x 1-1/4" hardware. (See Ref # B in [Figure 1](#).)
- C. Attach to concrete with 3/8" expansions anchor. (One anchor per support.) (See Ref # C in [Figure 1](#).)

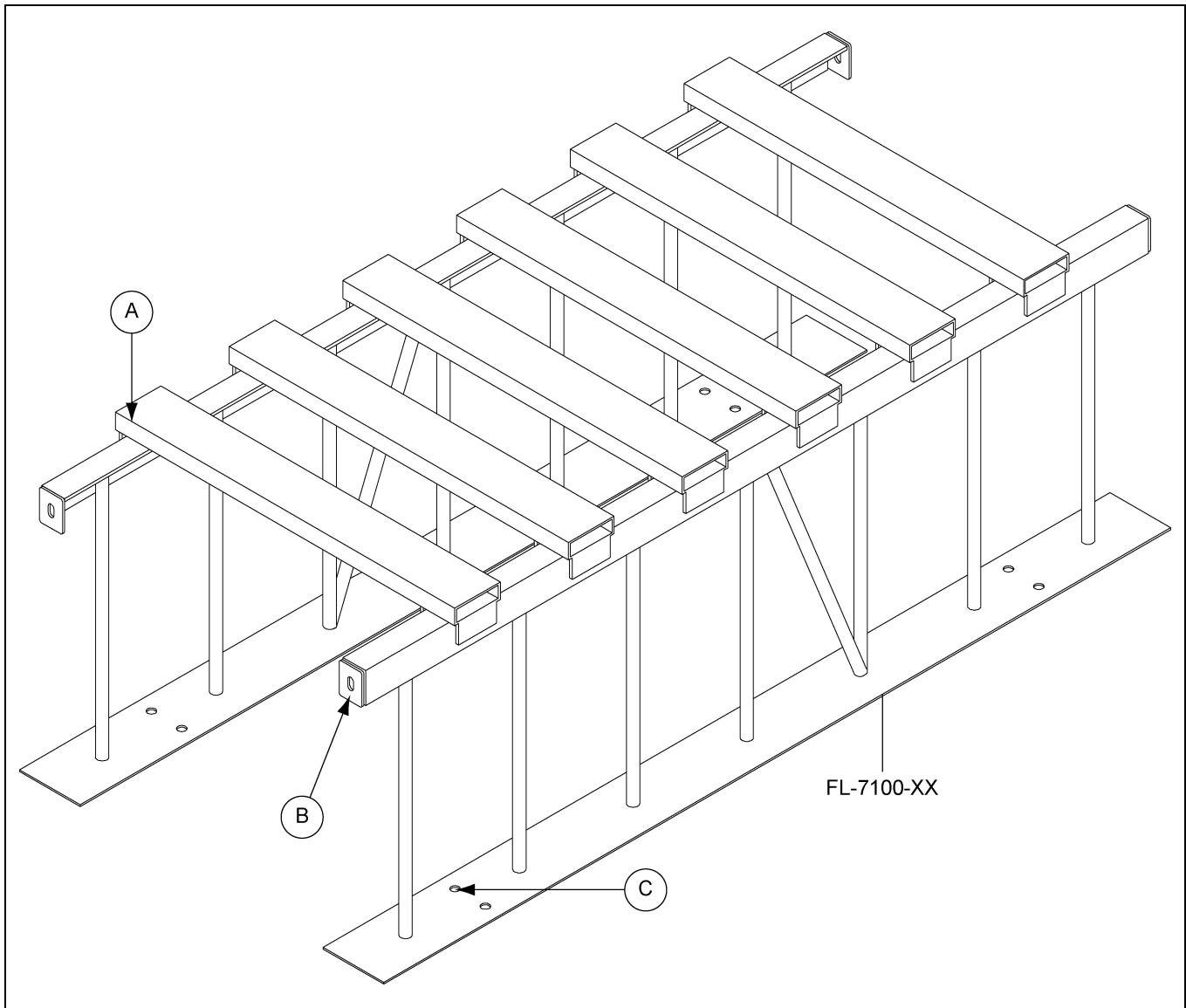
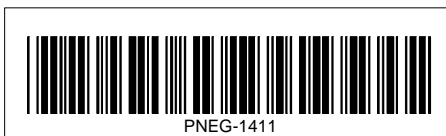


Figure 1 Isometric View of the Bridge Beam Weldment



Bridge Beam Weldment Installation

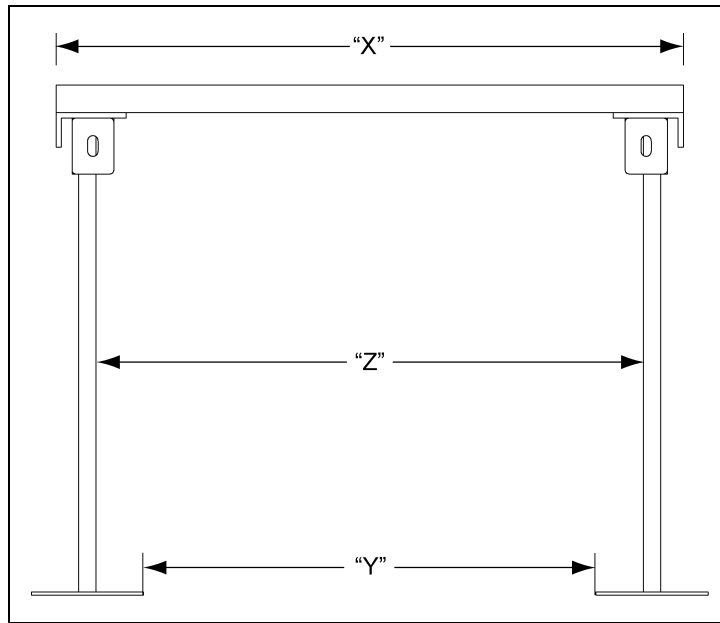


Figure 2 Front View of the Bridge Beam Weldment

Bridge Beam	Dimension "X"	Dimension "Y"	Dimension "Z"
FL-7098	20.375"	14.9"	18.3"
FL-7099	22.375"	16.9"	20.3"

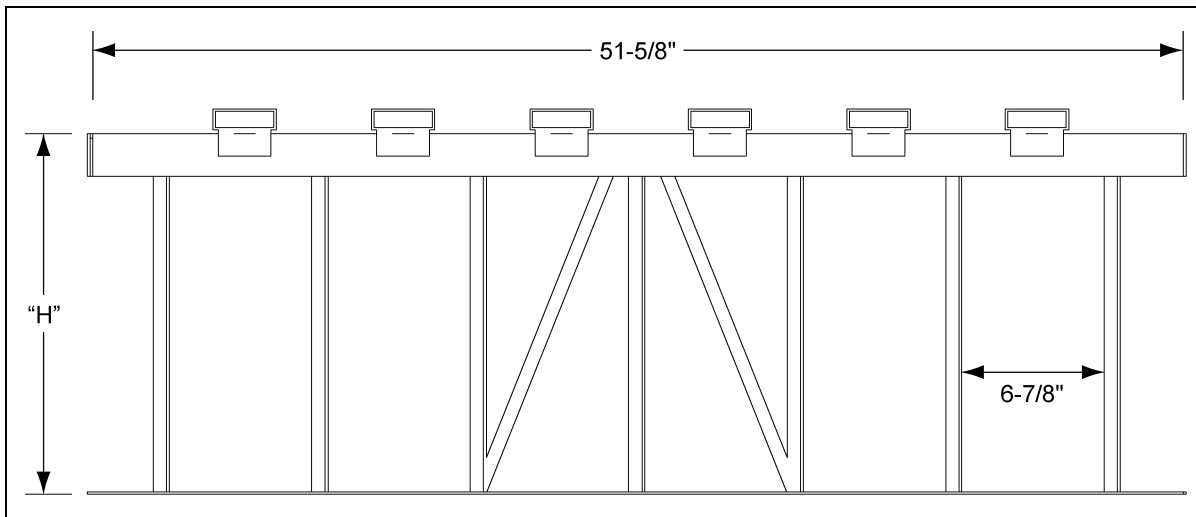


Figure 3 Side View of the Bridge Beam Weldment

Bridge Beam Support	Dimension "H"
FL-7100-12	11-7/8"
FL-7100-15	14-3/8"
FL-7100-17	17-3/16"