



Roof Stiffener Detail 2.66" Corrugation Outside Stiffener Only

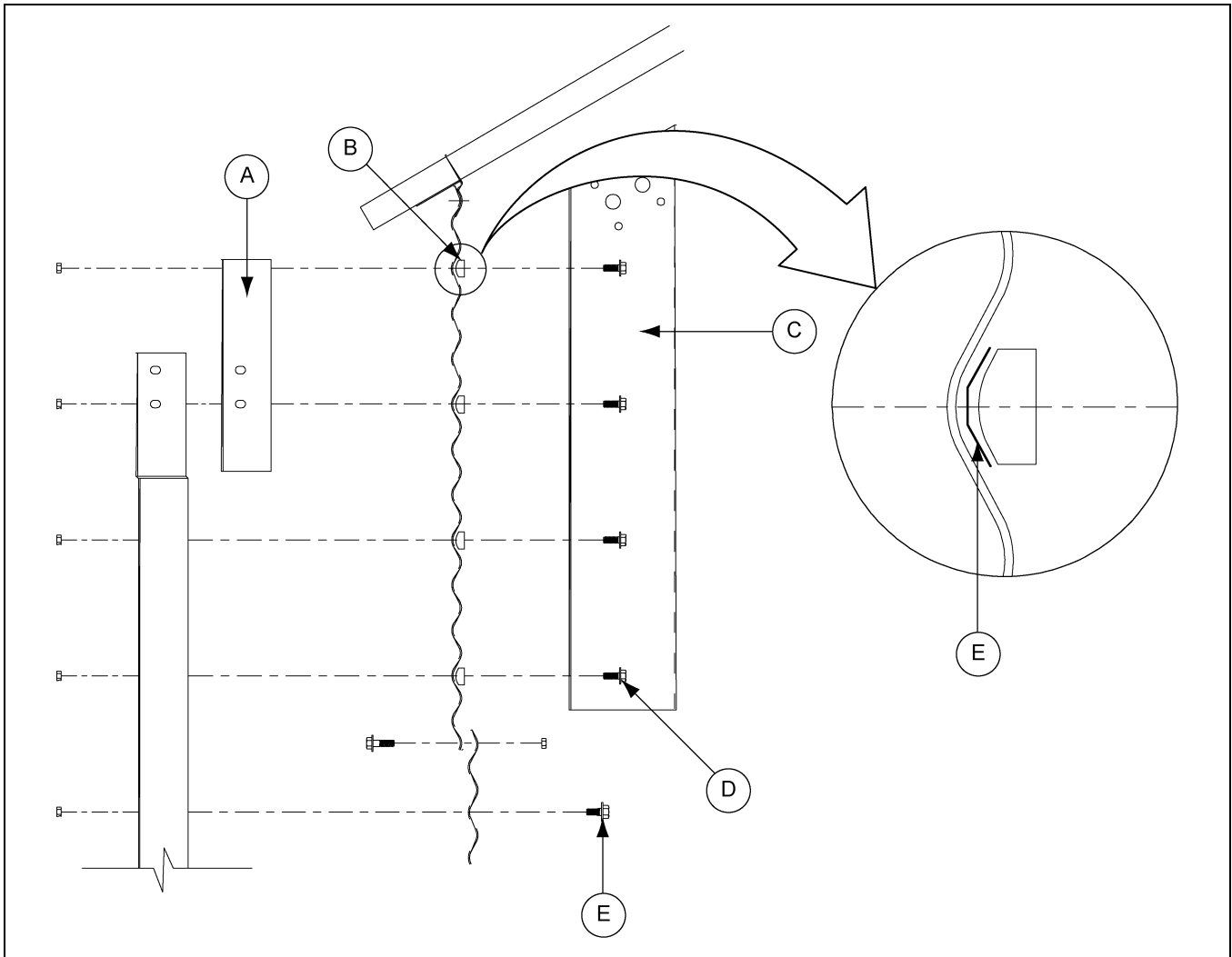


Figure 1

Ref #	Part #	Description
A	SS-7066	Top Stiffener (One per Sidewall Sheet)
B	S-7041	Corrugation Spacer
C	CRP-4758	Roof Beam Stiffener (One per Sidewall Sheet)
D	S-7488	Flange Bolt 3/8"-16 x 1-1/2" JS500 Grade 8 or Grade 8.2 with Sealing Washer
E	S-7487	Flange Bolt 3/8"-16 x 1" JS500 Grade 8 or Grade 8.2 with Sealing Washer
F		Insert steel backed neoprene between spacer and sidewall.

NOTE: Insert corrugation spacer (B) into corrugation.

Date: 02-12-15



Special 36' Diameter High Wind Roof Rafter Instructions

Special Rafter Instructions for 36' Diameter High Wind Roof

The 36' diameter high wind roof comes with 12 roof rafter assemblies and 24 purlins that are not included in the 30° roof manual (PNEG-1092). Install one roof rafter per sidewall sheet. Please refer to the roof manual for the complete roof assembly details.

NOTE: Each rafter has two (2) sections.

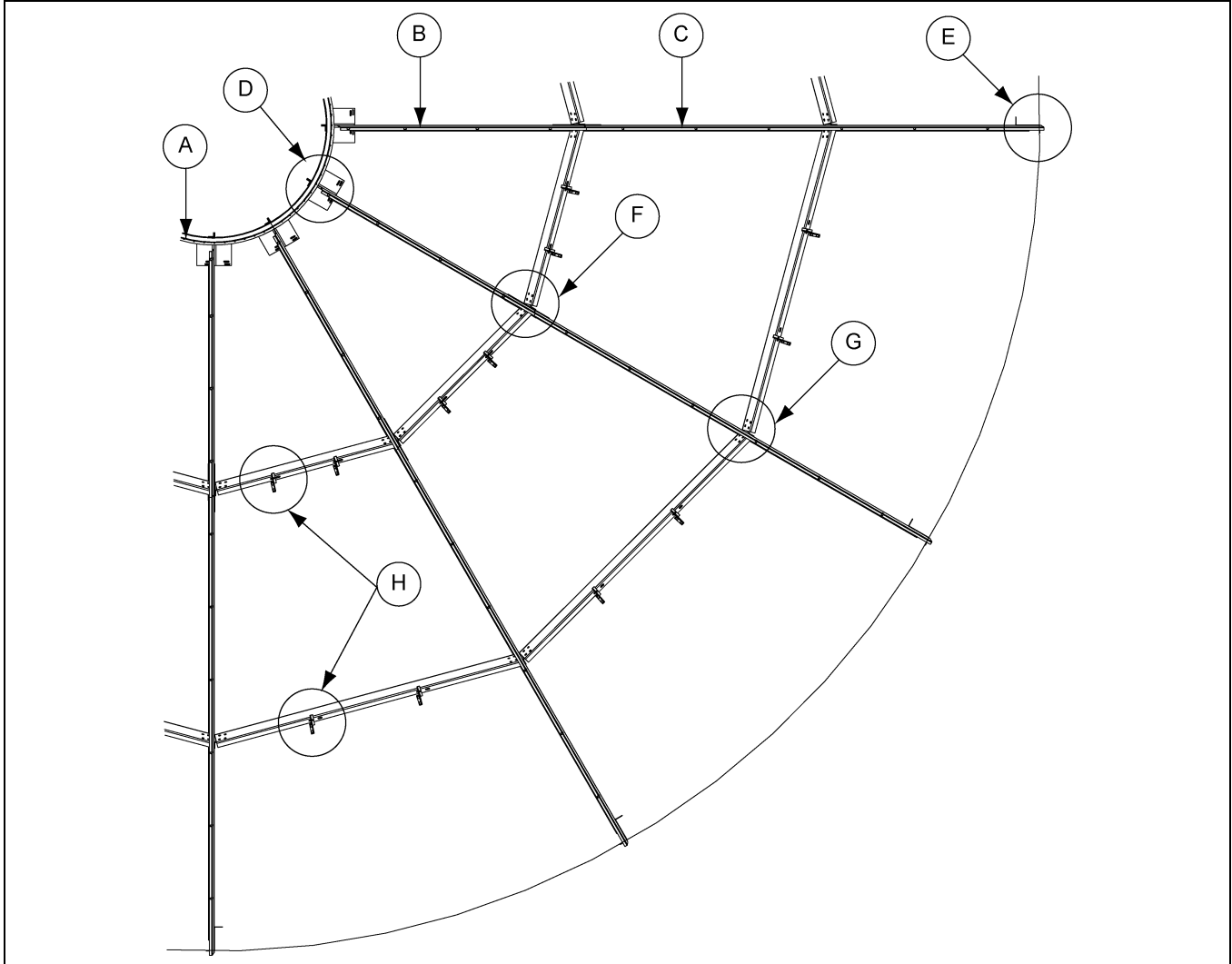


Figure 2

Ref #	Part #	Description
A	CRP-4687	"Z" Collar
B	CRP-5274	Upper Rafter
C	CRP-7030	Lower Rafter
D		See Detail A on Page 3.
E		See Detail B on Page 4.
F		See Detail C on Page 5.
G		See Detail D on Page 6.
H		See Detail E on Page 7.

Special Rafter Instructions for 36' Diameter High Wind Roof (Continued)

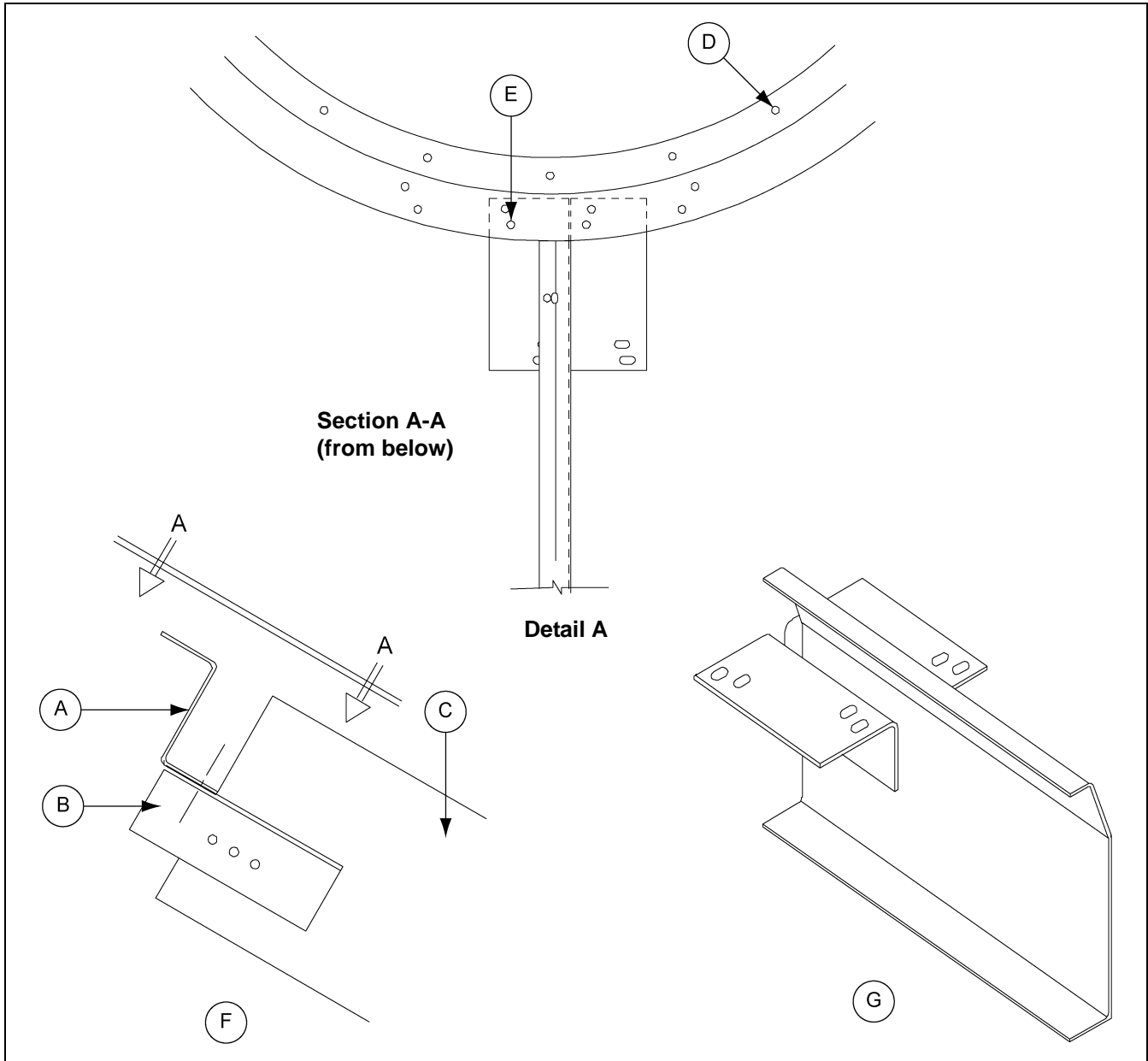


Figure 3 Rafter to "Z" Collar Connection

Ref #	Part #	Description
A	CRP-4687	"Z" Collar
B	CRP-5307	Rafter Support Clip
C	CRP-5274	Top Roof Truss
D		Roof Flashing Bolts
E		Bolts in these holes are to hold roof sheet and roof truss.
F		Side Profile
G		Isometric View of Rafter and Clip Assembly

Special Rafter Instructions for 36' Diameter High Wind Roof (Continued)

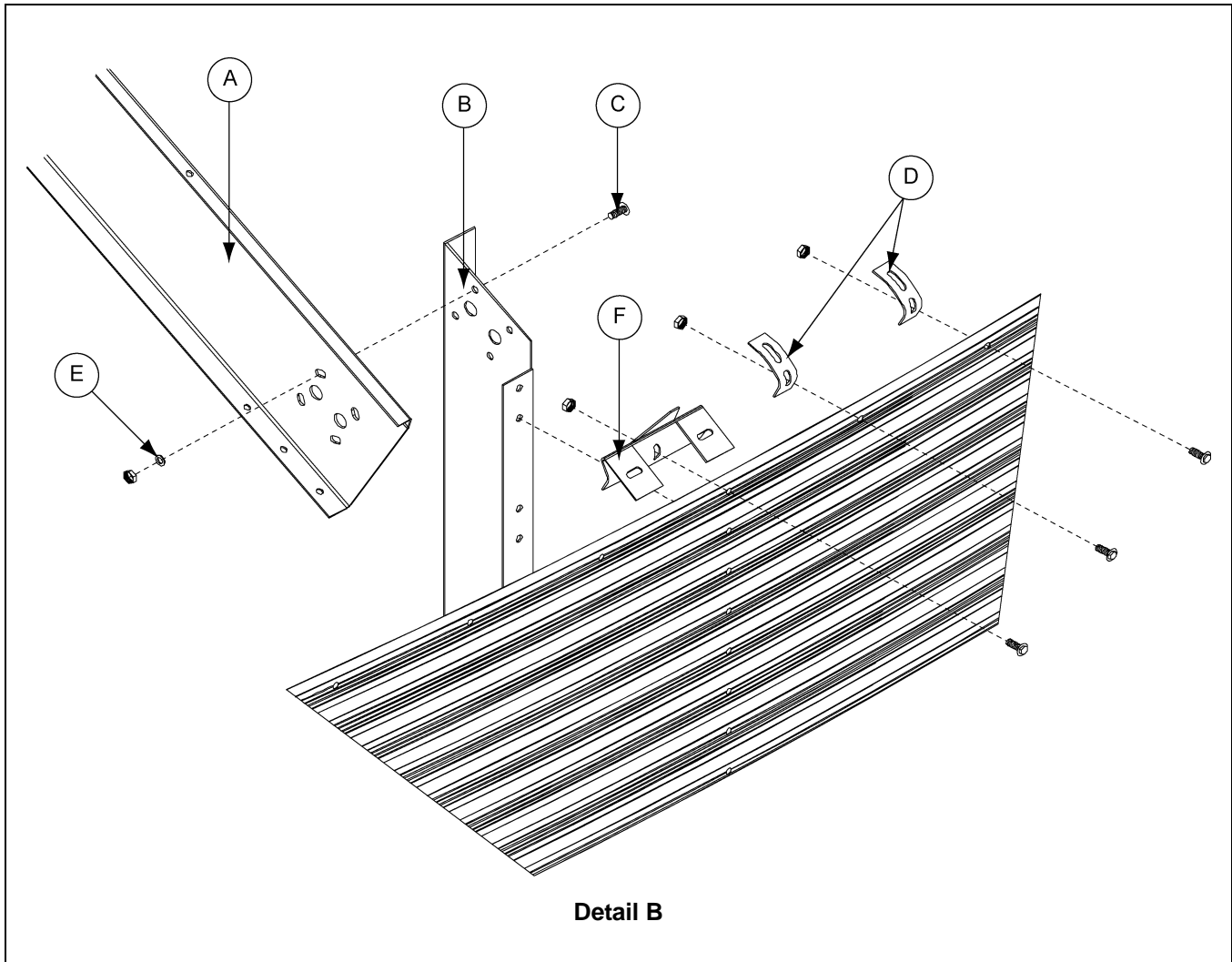


Figure 4 Rafter to Stiffener Connection

Ref #	Part #	Description
A	CRP-7030	Bottom Roof Rafter
B	CRP-4758	Top Roof Stiffener Bracket
C		3/8" x 1" Hex Flanged Head Bolt (4)
D		Intermediate Roof Clips
E		3/8" Nut and Flat Washer
F		Roof Eave Clip

Special Rafter Instructions for 36' Diameter High Wind Roof (Continued)

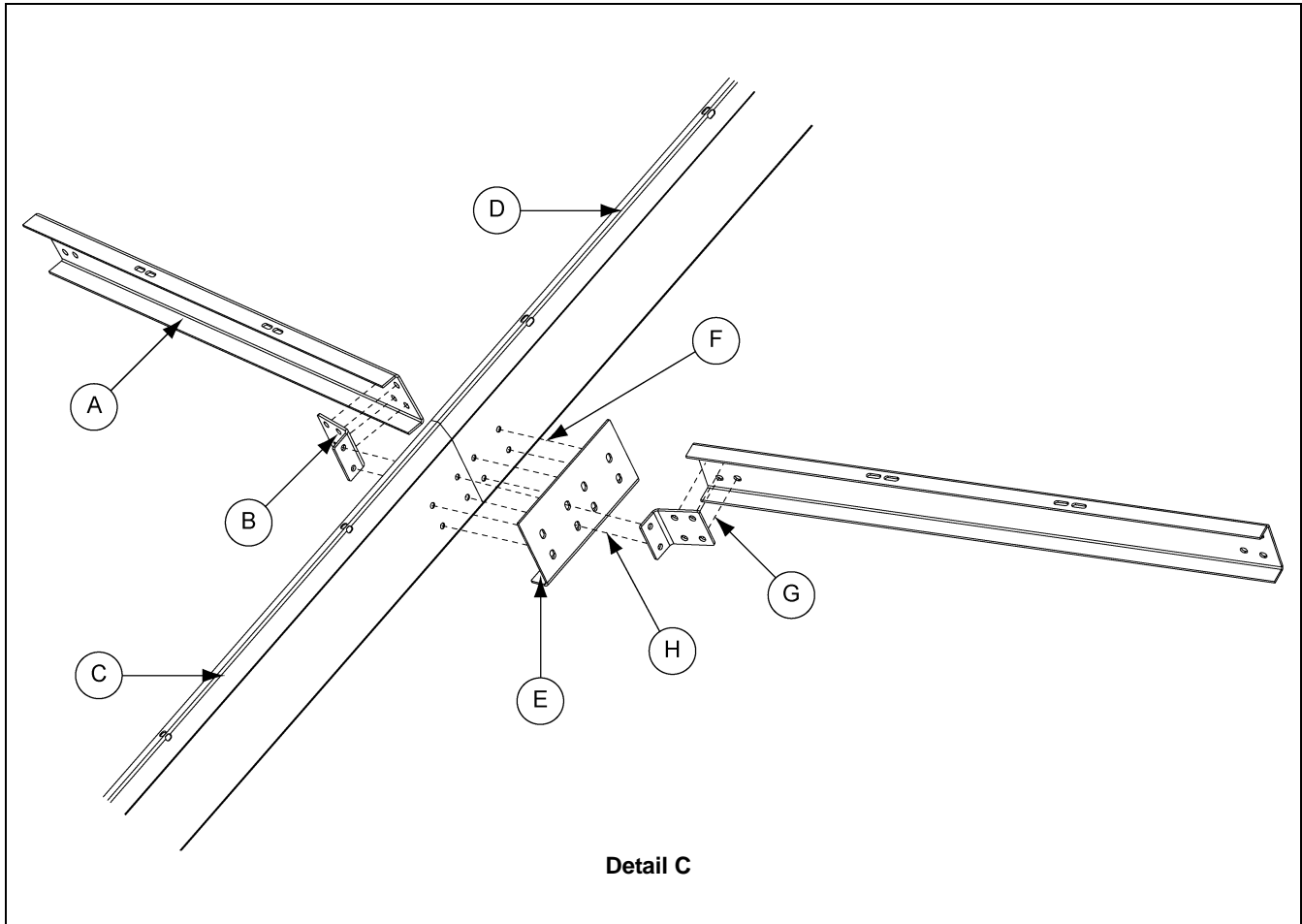


Figure 5 Rafter Splice/Upper Purlin Connection

Ref #	Part #	Description
A	CRP-7009	Upper Purlin
B	CRP-6211	Purlin Clip
C	CRP-7030	Lower Rafter
D	CRP-5274	Upper Rafter
E	PR-1874	Rafter Splice
F		Attach using 3/8" x 1" flange bolt and 3/8" flange nut.
G		Attach using 7/16" x 1-1/2" bolt, 7/16" washer and 7/16" hex nut.
H		Attach using 3/8" x 1-1/2" flange bolt and 3/8" flange nut.

Special Rafter Instructions for 36' Diameter High Wind Roof (Continued)

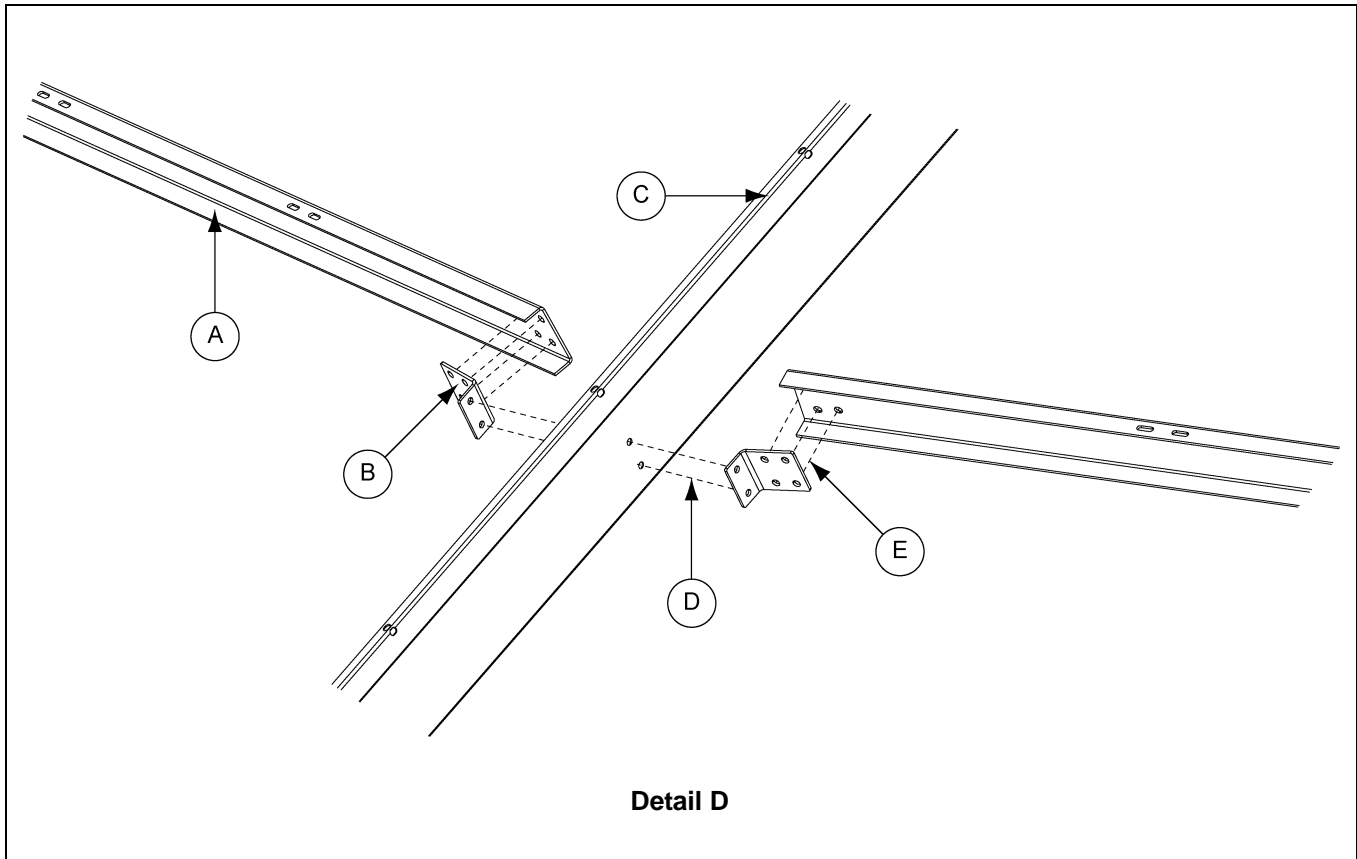


Figure 6 Lower Purlin Connection

Ref #	Part #	Description
A	CRP-7008	Lower Purlin
B	CRP-6211	Purlin Clip
C	CRP-7030	Lower Rafter
D		Attach using 3/8" x 1" flange bolt and 3/8" flange nut.
E		Attach using 7/16" x 1-1/2" bolt, 7/16" washer and 7/16" hex nut.

Special Rafter Instructions for 36' Diameter High Wind Roof (Continued)

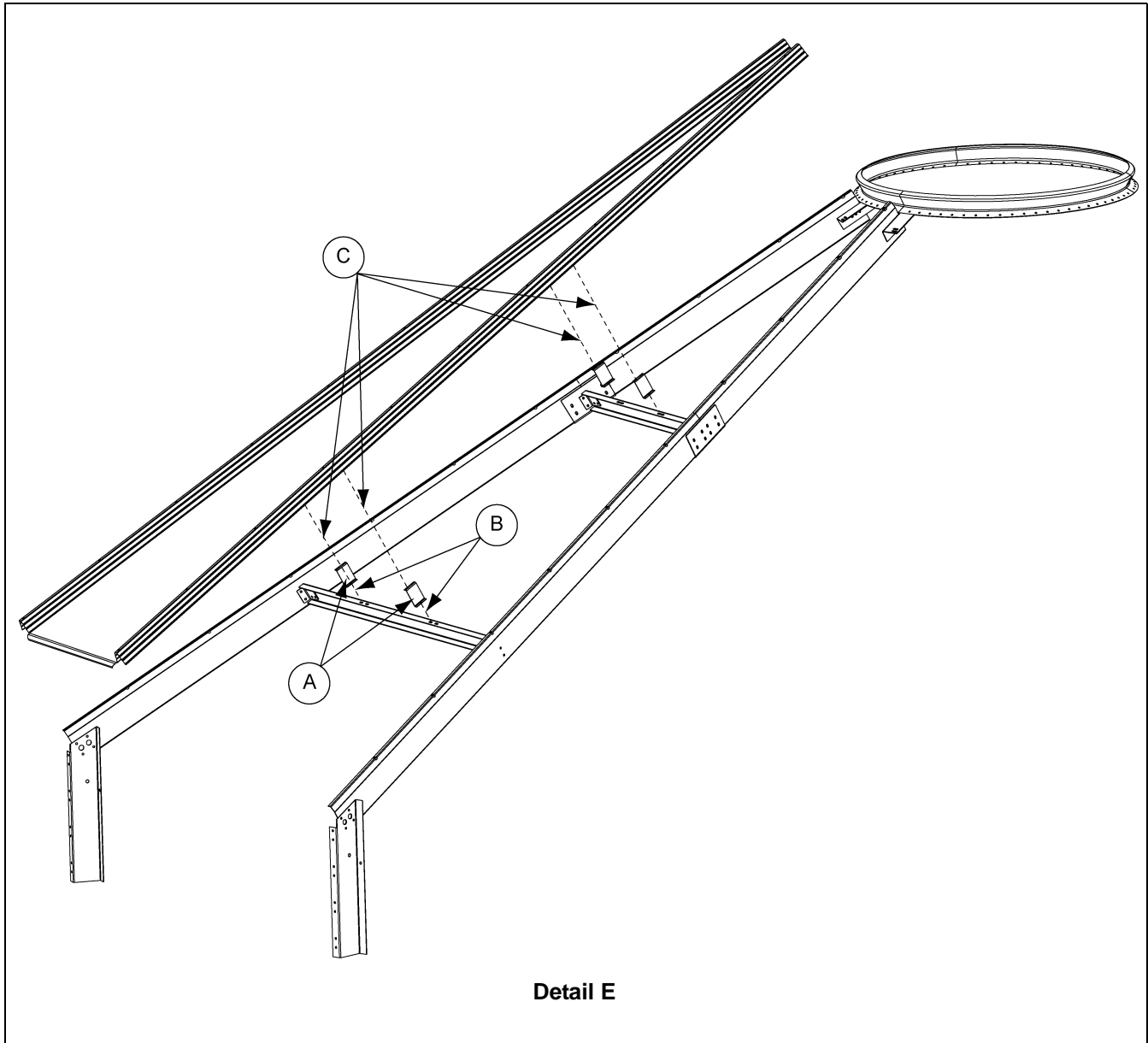


Figure 7 Roof Panel to Rib Support Clip Connection

Ref #	Part #	Description
A	CRP-7031	Rib Support Clips
B		Attach rib support clip to purlin using 5/16" x 1-1/4" bolt and 5/16" flange nut.
C		Field drill through overlapping roof rib and attach to rib support clip using 5/16" x 1-1/4" bolt and 5/16" flange nut.