



## Installing the Dome Cap for 44.5" Center Collar

### Before You Begin

Before installing the dome cap (6), make sure the center collar cap plates (10) are installed on the center collar (12).

### What You Should Know

Field drilling (14) the holes on the cap plates (10) will be required to install the dome cap (6) assembly.

1. Install the dome cap collar weldment (6) to the center collar cap plates (10) with the 3/8" flange bolts (8) and flange nuts (9).
2. Caulk (13) around the dome cap collar weldment (6) on the center collar cap plates (10).

**NOTE:** *The caulking must be applied to both the inner and outer edges of the dome cap collar weldment.*

3. Install the peak cap handle (2) to the peak cap (1) with the 5/16" bolts (3) and nuts (4).
4. Insert the straight end of the slide rod (5) through the dome cap collar weldment (6) and peak cap (1) and thread one nut all the way down on the slide rod (5).

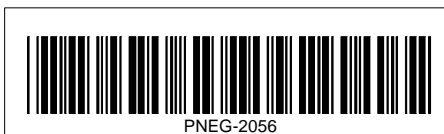
**NOTE:** *Do not tighten the nut.*

5. Insert the other end of the slide rod (5) through the top of the peak cap (1) and install a nut (4).
6. Follow the same procedure to install the other slide rod (5).

**NOTE:** *Adjust and tighten the nuts on straight end of slide rods (5).*

7. After tightening, it may be necessary to spread the slide rods (5) slightly to make them parallel. Maintain a 10" gap between the slide rods (5).
8. Install the cap hold-down (7) to the hold-down bracket (11) with the 5/16" bolts (3) and nuts (4).

[See Figure 1 on Page 2](#) for dome cap installation on 44.5" center collar.



# Center Collar Dome Cap Installation Instructions

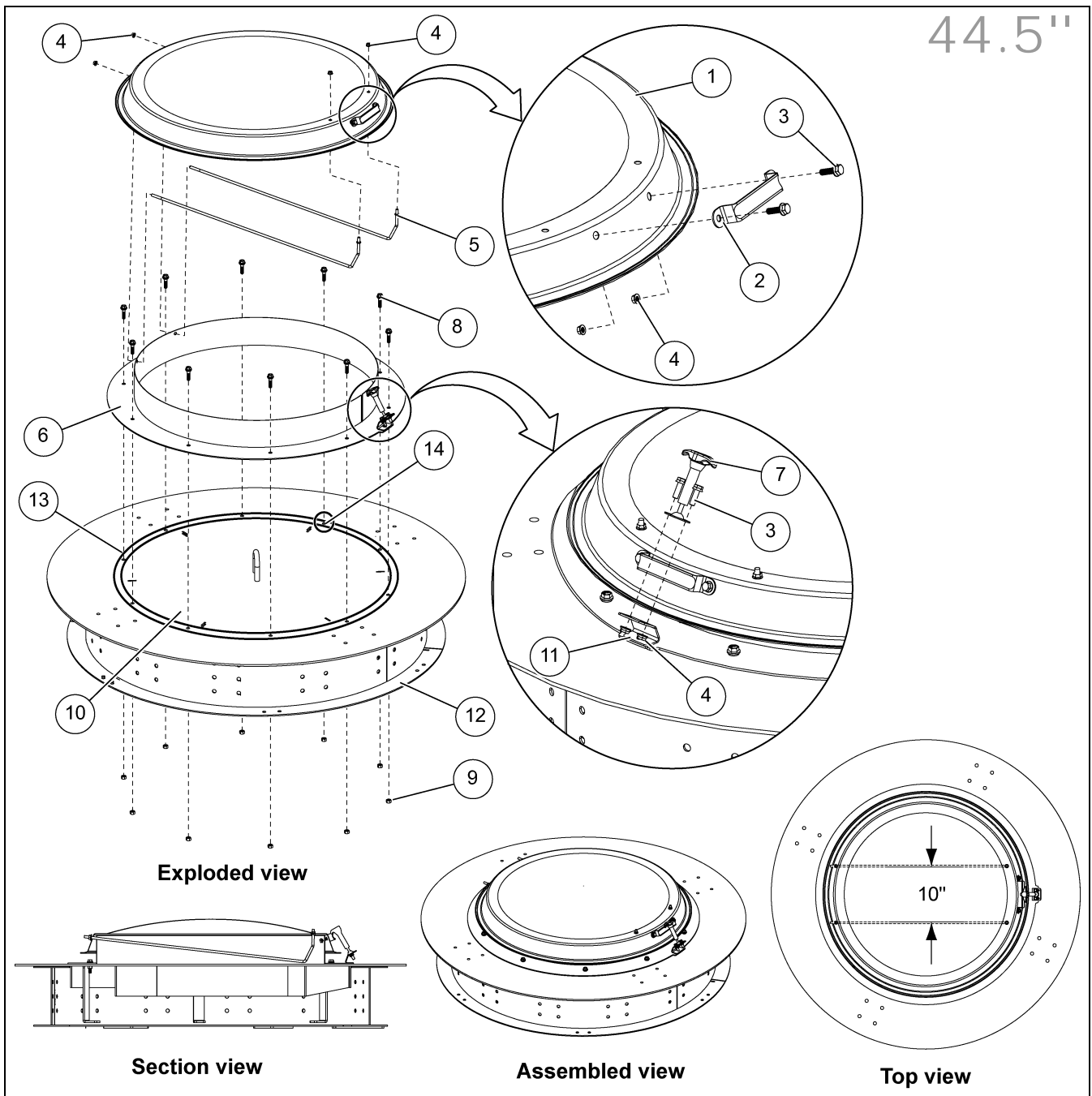


Figure 1 Installing the Dome Cap for 44.5" Center Collar

Ref #	Part #	Description
1	CRP-4602	Peak Cap
2	PR-331	Peak Cap Handle
3	S-7470	5/16" x 1" Flange Bolt
4	S-3611	5/16" Flange Nut
5	CRP-4606	Slide Rod
6	CTR-1207-BS	Dome Cap Collar Weldment
7	CRP-4654	Cap Hold-Down

Ref #	Part #	Description
8	S-7488	3/8" x 1-1/2" Flange Bolt
9	S-456	3/8" Flange Nut
10	CTR-1510	Center Collar Cap Plate
11		Hold-Down Bracket
12		Center Collar
13		Caulking on Inside (S-10319) and Outside (S-4458) Edges
14		Field Drill Holes

## Installing the Dome Cap for 6' Center Collar

### Before You Begin

Before installing the dome cap (6), make sure the center collar cap plate is removed from the center collar (12).

1. Install the dome cap collar weldment (6) to the center collar top panels (12) with the 3/8" flange bolts (8) and flange nuts (9).
2. Caulk (13) around the dome cap collar weldment (6) on the center collar top panels (12).

**NOTE:** *The caulking must be applied to both the inner and outer edges of the dome cap collar weldment.*

3. Install the peak cap handle (2) to the peak cap (1) with the 5/16" bolts (3) and nuts (4).
4. Insert the straight end of the slide rod (5) through the dome cap collar weldment (6) and peak cap (1) and thread one nut all the way down on the slide rod (5).

**NOTE:** *Do not tighten the nut.*

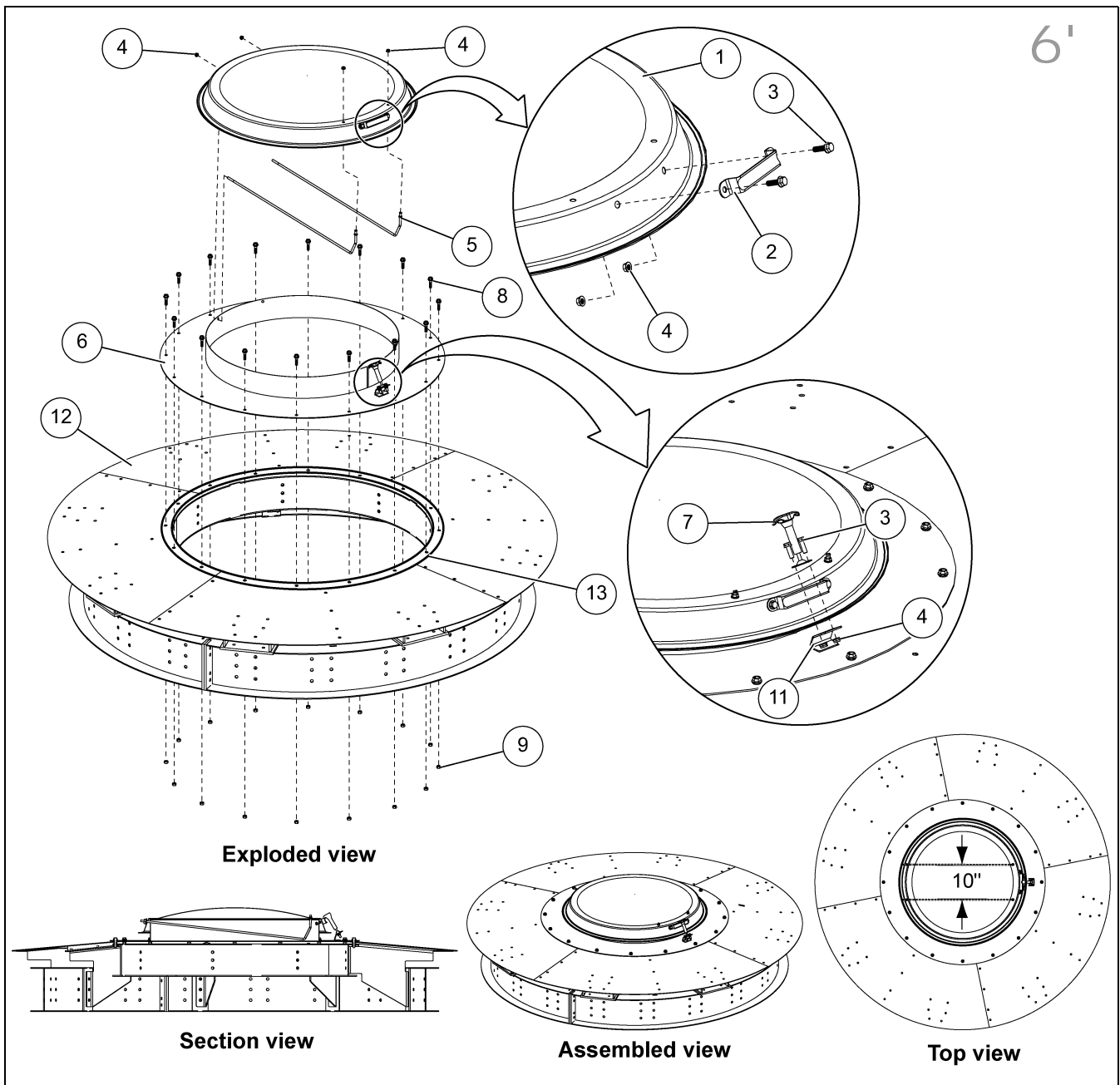
5. Insert the other end of the slide rod (5) through the top of the peak cap (1) and install a nut (4).
6. Follow the same procedure to install the other slide rod (5).

**NOTE:** *Adjust and tighten the nuts on straight end of slide rods (5).*

7. After tightening, it may be necessary to spread the slide rods (5) slightly to make them parallel. Maintain a 10" gap between the slide rods (5).
8. Install the cap hold-down (7) to the hold-down bracket (11) with the 5/16" bolts (3) and nuts (4).

*See Figure 2 on Page 4 for dome cap installation on 6' center collar.*

# Center Collar Dome Cap Installation Instructions



**Figure 2** *Installing the Dome Cap for 6' Center Collar*

Ref #	Part #	Description
1	CRP-4602	Peak Cap
2	PR-331	Peak Cap Handle
3	S-7470	5/16" x 1" Flange Bolt
4	S-3611	5/16" Flange Nut
5	CRP-4606	Slide Rod
6	CTR-1747-BS	6' Dome Cap Collar Weldment

Ref #	Part #	Description
7	CRP-4654	Cap Hold-Down
8	S-7488	3/8" x 1-1/2" Flange Bolt
9	S-456	3/8" Flange Nut
11		Hold-Down Bracket
12		Center Collar
13		Caulking on Inside (S-10319) and Outside (S-4458) Edges