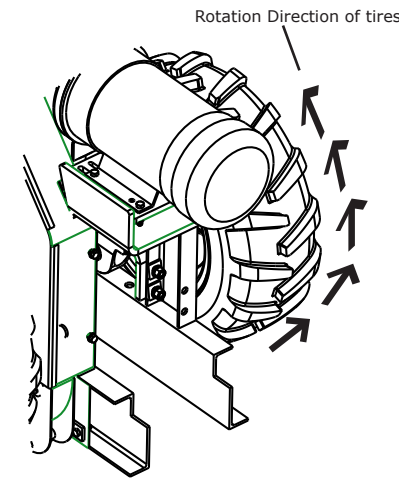


# SERIES II SWEEP QUICK START GUIDE 888-GSI-BINS

**DANGER: NEVER ENTER THE BIN UNLESS ALL POWER IS DISCONNECTED AND LOCKED OUT.**



**Initial Use Check List:**

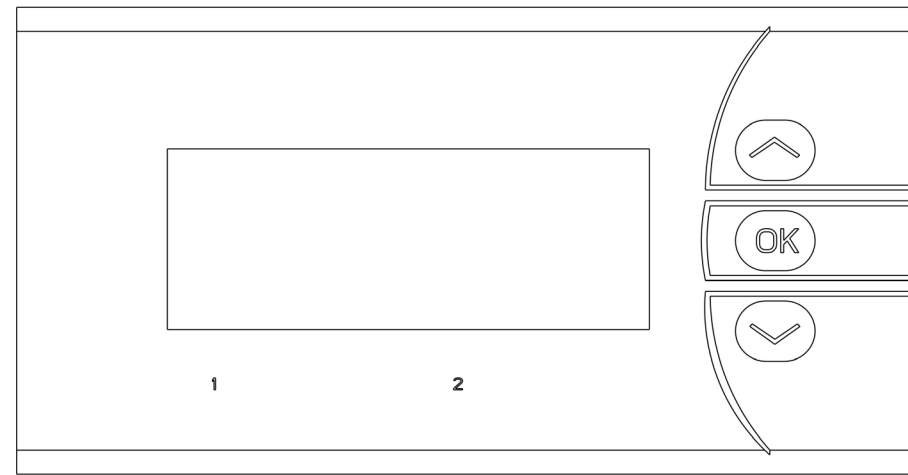
- Check tire tread installation direction (tread will be installed backwards to normal tractor tire installation. Rims should be installed dished for maximum clearance between the tire and the side frame trussing).
- Check gear boxes for oil and vent plug installation (See manual for types and volumes required).
- Check tractor drive chain tension and alignment (reinstall all guards after checking).
- Check main drive belt's tension and alignment, then reinstall all guards.

Position weights (2 on each side of drive wheels, in line, on closest channel to tires and 2 on first cross channel behind tractor drive on weight extension kit).

NOTE: Weight extension kit should be removed prior to filling the bin or the back cross channel should be removed and the support channels shortened to not extend beyond the first cross channel.

Check electrical conduit is installed as shown in the manual (directly behind the auger back shield and fully supported by the frame trussing). The connection from the rigid conduit to the motors must be made utilizing flexible conduit. Check to ensure the conduit is routed and protected from all moving components.

Control panel should be mounted in a position to allow the operator to observe the sweep through the side entry door, monitor the amp meter, and comfortably access the foot safety switch.

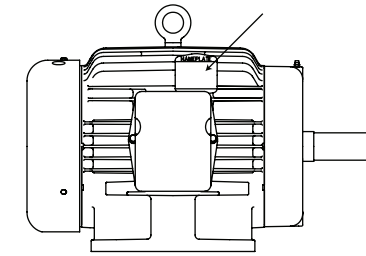


**Program Amp Meter:**

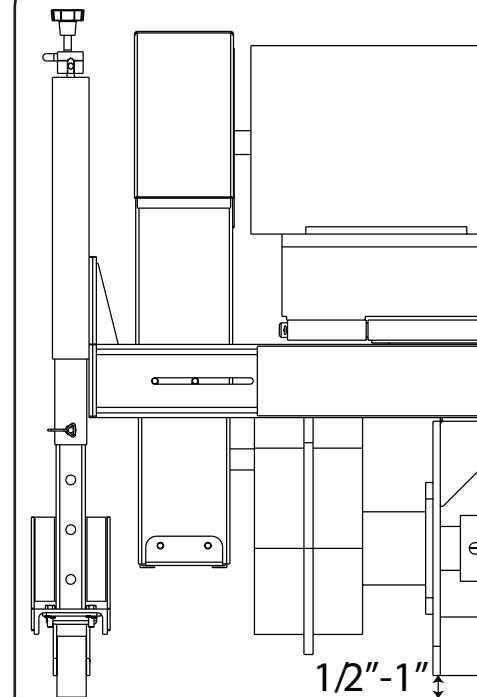
- Press OK to RELU.
- Press ↑ to DISP.
- Press OK to REL1.
- Press ↑ to SET.
- Press OK to SETP.
- Press ↑ to 90% of FLA-Auger Motor.
- Press OK to ACT1.
- Press ↑ to INCR.
- Press OK to HYS1.
- HYS1 = 90% of FLA-Auger Motor - 110% NLA-Auger Motor
- Press ↑ to this value.
- Press OK to ERR1.
- Press ↑ to DEAC.
- Press OK to ON.DE.
- Press ↑ to 0.
- Press OK to OF.DE.
- Press ↑ to 20.
- Press OK to REL2.
- Press ↑ to OFF.
- Press OK to E.PAS.
- Press ↑ to NO.
- Press OK to "----".

Example: Full load amps = 21 amps  
 90% FLA Auger Motor = 18 amps  
 110% NLA Auger Motor = 12 amps  
 "HYS 1" = 6 amps (18 amps -12 amps)

Record your specific values in the personal equipment record box below.

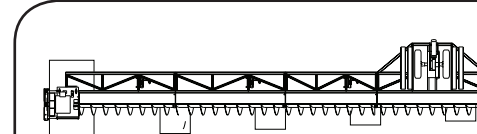


Check motor "Full Load Amperage" and set the overloads in control panel slightly higher than the Full Load Amp (FLA) value listed on the motor name plate. Record values in the **PERSONAL EQUIPMENT RECORD** at the bottom of the page.

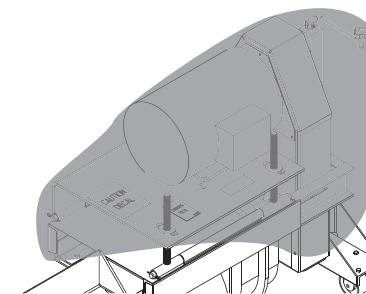


**Adjust sweep:**

1. Raise all jacks up so they are not touching the floor.
2. Starting at the center of the bin, bring the center drive support jack down until it contacts the concrete, then give the handle one more full turn.
3. Working outward toward the bin wall, lower each jack until they touch the concrete and raise the sweep up until there is 1/2" to 1" of clearance between the lower edge of the back shield and the concrete. Keep the sweep straight! Fold all jack handles down after adjusting.
4. Pre-run the sweep around the bin, stopping about every 1/8 of a revolution to inspect the clearance following proper lockout/tag out and bin entry procedures. Adjust as necessary to maintain adequate clearance. Always keep the sweep straight and even pressure on all jacks. Check that the sweep functions properly in both automatic and manual mode. the sweep should not be lowered prior to filling.



Park the sweep so the bottom edge of the auger back shield is in the center of the outer most intermediate discharge well. Intermediate discharge well should not exceed 10' center to center.



Cover the motors (after cooled) with vinyl covers provided prior to filling the bin. Covers need to be removed prior to start up.



**PERSONAL EQUIPMENT RECORD**

Auger Motor FLA:	90% FLA Auger Motor:
Tractor Motor FLA:	110% NLA Auger Motor:
	Hys 1:

**WHEN RUNNING IN MANUAL MODE, MONITOR THE AMP METER AND NEVER EXCEED THE FULL LOAD AMPERAGE OR DAMAGE MAY OCCUR!**