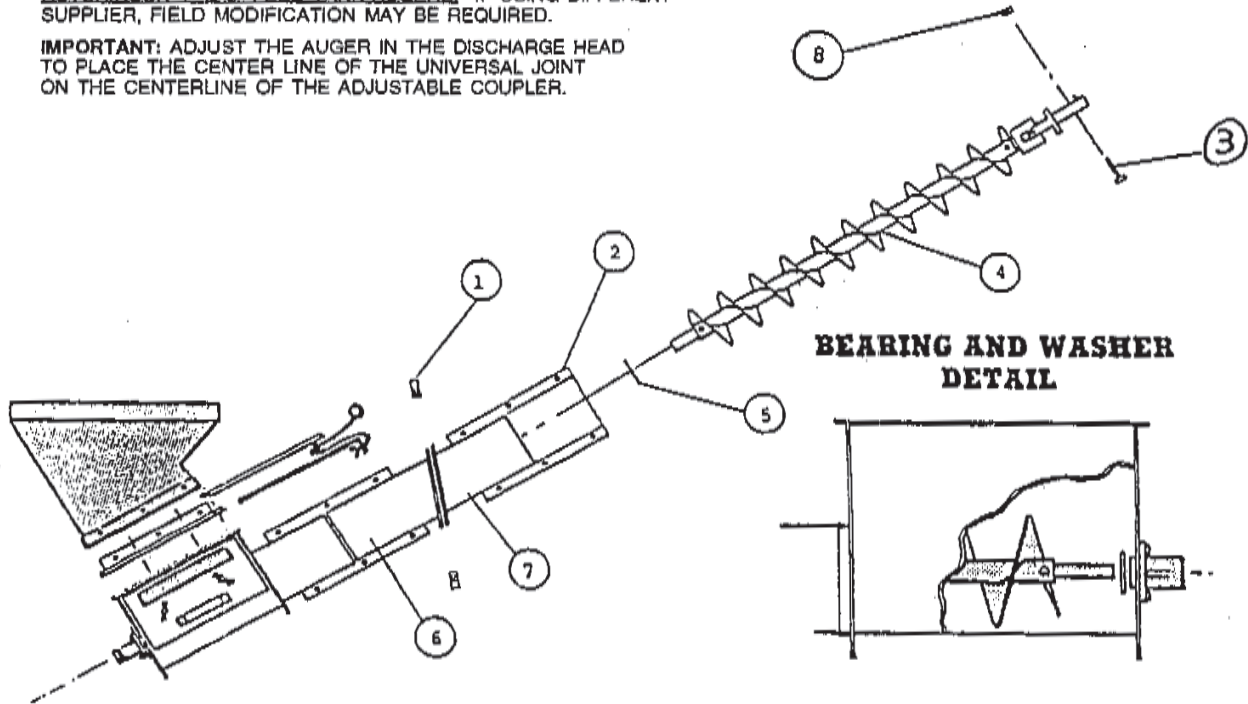




4" & 6" ADJUSTABLE ELBOW INSTRUCTIONS

IMPORTANT: UNIVERSAL JOINT SUPPLIED IS DESIGNED TO FIT HUTCHINSON 4" & 6" FEED TANK AUGERS. IF USING DIFFERENT SUPPLIER, FIELD MODIFICATION MAY BE REQUIRED.

IMPORTANT: ADJUST THE AUGER IN THE DISCHARGE HEAD TO PLACE THE CENTER LINE OF THE UNIVERSAL JOINT ON THE CENTERLINE OF THE ADJUSTABLE COUPLER.



<u>PART NO.</u>		<u>DESCRIPTION</u>
<u>4"</u>	<u>6"</u>	
1. RA-3091	RA-3092	ADJUSTABLE ELBOW CLAMP (3 REQ'D 4") (4 REQ'D 6")
2. BLK-10301	BLK-10302	12" LONG HALF BAND (2 REQ'D)
3. S-853	S-853	1/4" x 1-1/2" BOLT
4. RA-3111	RA-3112	ADJUSTABLE ELBOW FLIGHT ASSEMBLY
5. S-858	S-858	5/8" FLATWASHER
6. RA-3099	RA-3100	ELBOW TUBE WELDMENT (Unloader End)
7. RA-3101	RA-3102	ELBOW TUBE WELDMENT (Auger End)
8. S-4310	S-4310	1/4" LOCKNUT

1. BUTT UNLOADER END ELBOW TUBE WELDMENT AGAINST UNLOADER TUBE AND CLAMP TOGETHER USING CLAMP BAND HALVES SUPPLIED WITH UNLOADER UNIT. (Leave Clamp Bolts Loose)
2. BUTT AUGER END ELBOW TUBE WELDMENT AGAINST UNLOADER END ELBOW WELDMENT AND INSTALL ADJUSTABLE ELBOW CLAMPS LOOSELY AROUND JOINT.
3. INSTALL UNIVERSAL JOINT END OF FLIGHT ASSEMBLY INTO DELIVERY AUGER AND INSTALL 1/4" x 1-1/2" BOLTS AND 1/4" LOCKNUT.
4. INSTALL DELIVERY AUGER WITH UNIVERSAL JOINT FLIGHT ASSEMBLY DOWN THROUGH TUBES AND THROUGH 5/8" WASHER AND INTO PLASTIC BEARING ON UNLOADER, (NOTE: It will be necessary to remove inspection plate to install.)
5. BUTT DELIVERY AUGER TUBE AGAINST AUGER END ELBOW TUBE WELDMENT AND INSTALL 12' LONG CLAMP BANDS AND TIGHTEN.
6. ADJUST TUBES BY TURNING THEM TO GET ANGLE OF DELIVERY THAT IS DESIRED AND TIGHTEN ALL THE CLAMPS.