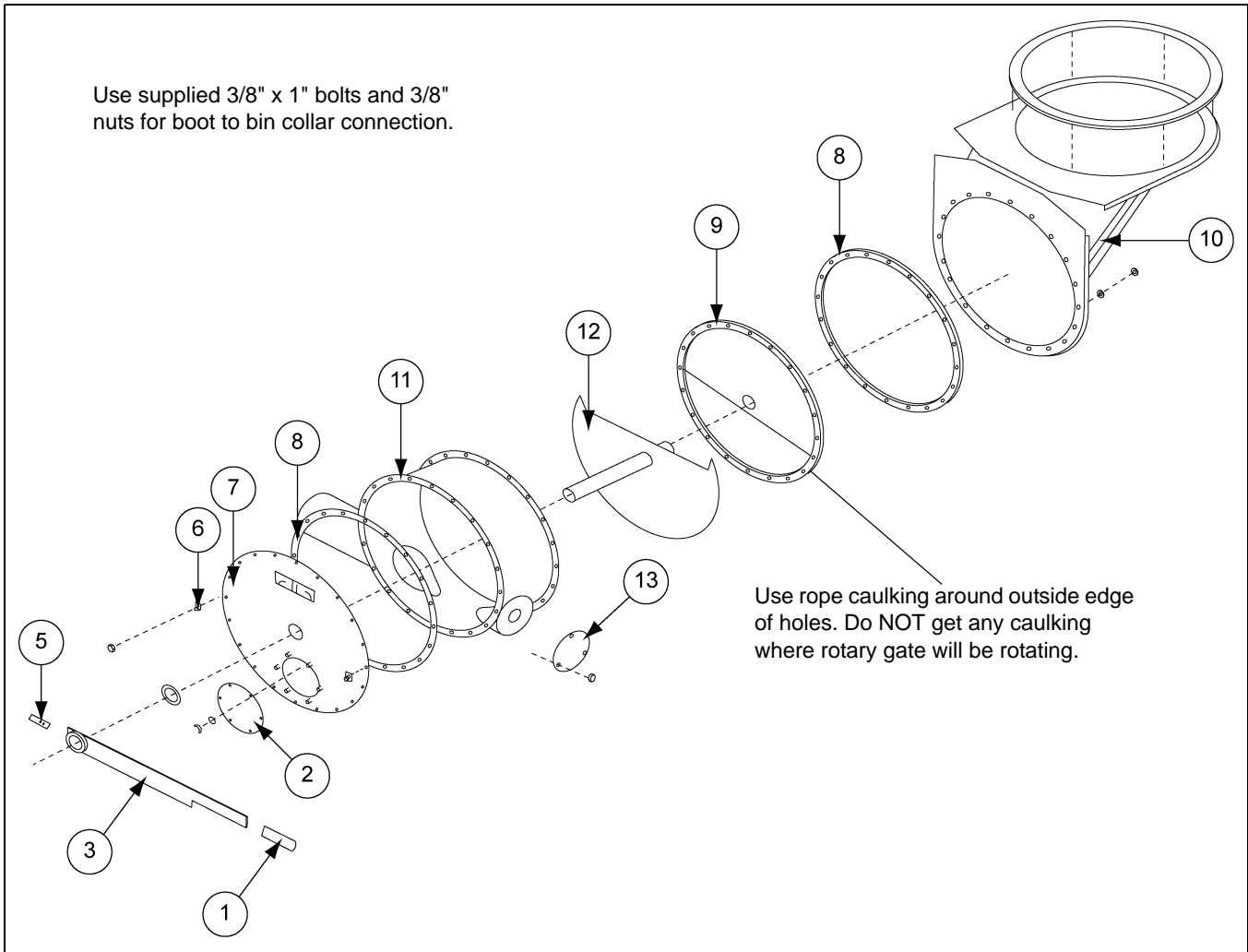




Use supplied 3/8" x 1" bolts and 3/8" nuts for boot to bin collar connection.



Ref #	Part #	Description
1	S-4378	Plastic Grip
2	HT-1353	Clean Out Plate
3	BLK-10921	Handle Weldment
4	S-4379	Shaft Shim
5	S-4377	Grooved Roll Pin
6	BLK-10994	Handle Bracket
7	BLK-10880	Frontplate Weldment
8	BLK-10340	Slotted Foam Gasket (Three (3) Pieces per Ring)
9	BLK-11096	Backplate Weldment
10	BLK-10871	Maxi-Flo Boot
11		Rotary Unloader Weldment
12		Rotary Gate Weldment
13		Bearing Cover Plate NOTE: Bearing kit is optional.



22" Rotary Unloader Valve Instructions

Unloader Tube Detail

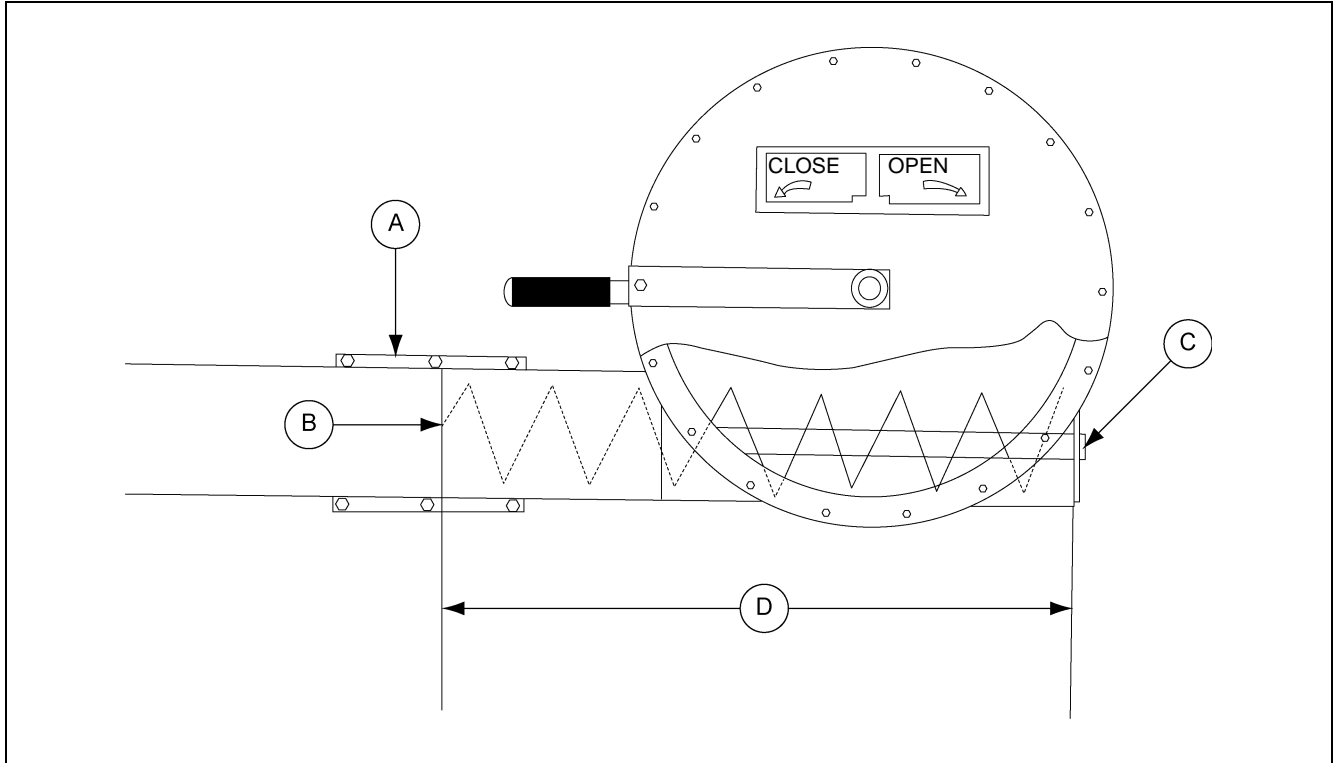


Figure 1

Ref #	Description
A	12" Connecting Band Assembly
B	Cut Auger Tube Here (If Needed)
C	Optional Bearing
D	23"-4" Unloaders 25"-6" Unloaders 27"-8" Unloaders

Install optional bearing kit to unloader if ordered per supplied instruction sheet.

NOTE: 4" Rotary unloaders require 23" of exposed flight.

6" Rotary unloaders require 25" of exposed flight.

8" Rotary unloaders require 27" of exposed flight.

It may be necessary to field cut auger tube lengths to accommodate required exposures. After cutting (if necessary) butt tube to unloader tube and fasten with connecting band assembly.

IMPORTANT: Unloader is designed to fit 4", 6" and 8" GSI/Hutchison feed tank augers. If using a different auger supplier, it may require field modification.