

# 6", 8" and 10" Variable Angle Auger Connector

Assembly and Installation Manual

PNEG-1060

Date: 03-11-08

GSI GROUP



PNEG-1060

Part #	Tube Assembly		Flight Assembly	
	Intake Size	Discharge Size	Intake Shaft	Discharge Shaft
GK2250	6"	6"	13/16" Round	13/16" Round
GK2270	6"	6"	1" Square	1" Round
GK22501	6"	6"	1" Round	1" Round
GK2260	6"	8"	13/16" Round	1-1/4" Round
GK2271	6"	8"	1" Square	1-1/4" Round
GK22601	6"	8"	1" Round	1-1/4" Round
GK2257	8"	8"	1-1/4" Round	1-1/4" Round
GK2268	8"	10"	1-1/4" Round	1-1/2" Round
GK2262	10"	10"	1-1/2" Round	1-1/2" Round
GK2272	10"	10"	1-1/4" Square	1-1/2" Round
GK6003	10"	10"	1" Square	1-1/2" Round

**Personnel operating or working around this equipment should read this manual. This manual must be delivered with equipment to its owner. Failure to read this manual and its safety instructions is a misuse of the equipment. Any misuse of the equipment may void the warranty.**

---

# Contents

<b>Chapter 1 Introduction .....</b>	<b>4</b>
<b>Chapter 2 Safety .....</b>	<b>5</b>
Safety Guidelines .....	5
Operator Qualifications .....	8
<b>Chapter 3 Safety Decals .....</b>	<b>9</b>
<b>Chapter 4 Installation .....</b>	<b>11</b>
Inclined Auger Support .....	11
Connecting Box Angle Adjustment .....	12
Horsepower for an Auger System with an Inclined Discharge .....	12
<b>Chapter 5 Assembly Instructions .....</b>	<b>13</b>
<b>Chapter 6 Parts List .....</b>	<b>14</b>
VAAC Parts .....	14
6"-6" Flight Assembly Parts .....	16
6"-8" Flight Assembly Parts .....	17
8"-8" Flight Assembly Parts .....	18
8"-10" Flight Assembly Parts .....	19
10"-10" Flight Assembly Parts .....	20
VAAC Box Parts .....	21
<b>Chapter 7 Warranty .....</b>	<b>23</b>

### General Information

1. GSI reserves the right to improve its product whenever possible and practical to do so. We reserve the right to change, improve, and modify products at any time without obligation to make changes, improvements, and modifications on equipment sold previously.
2. Receiving merchandise and filing claims
  - a. When receiving merchandise, check both the quantity of parts and their descriptions against the packing list enclosed within each package. All claims for freight damage or shortage must be made by the consignee within ten (10) days from the date of the occurrence of freight damage. The consignee should accept the shipment after noting the damage or loss on the Bill of Lading (BOL).
3. The variable angle auger connectors have been designed and manufactured to provide years of dependable service. The care and maintenance of this machine will affect the service and satisfaction obtained. Observing the instructions and suggestions in this manual contributes to the satisfactory service provided by this equipment. If additional information or assistance should be required, please contact the factory or your local dealer.

### Capacity

1. The capacities may vary greatly under different conditions. The following factors play a role in the performance of the auger:

- Speed
- Angle of operation
- Moisture content\*
- Amounts of foreign matter
- Different materials
- Methods of feeding

\* For example, a twenty-five percent (25%) moisture could cut capacity by as much as forty percent (40%) under some conditions.

## Safety Guidelines

This manual contains information that is important for you, the owner/operator, to know and understand. This information relates to protecting **personal safety** and **preventing equipment problems**. It is the responsibility of the owner/operator to inform anyone operating or working in the area of this equipment of these safety guidelines. To help you recognize this information, we use the symbols that are defined below. Please read the manual and pay attention to these sections. Failure to read this manual and its safety instructions is a misuse of the equipment and may lead to serious injury or death.



**This is the safety alert symbol. It is used to alert you to potential personal injury hazards. Obey all safety messages that follow this symbol to avoid possible injury or death.**



**DANGER** indicates an imminently hazardous situation which, if not avoided, will result in death or serious injury.



**WARNING** indicates a potentially hazardous situation which, if not avoided, could result in death or serious injury.



**CAUTION** indicates a potentially hazardous situation which, if not avoided, may result in minor or moderate injury.



**CAUTION** used without the safety alert symbol indicates a potentially hazardous situation which, if not avoided, may result in property damage.



**NOTE** indicates information about the equipment that you should pay special attention.

## 2. Safety

---

### General Safety Guidelines

- A. **DO NOT** make any alterations to the equipment. Any alteration may produce a very dangerous situation that could result in **SERIOUS INJURY** or even **DEATH**.
- B. This equipment shall be installed in accordance with any regulations or installation codes that are required by law. Authorities having jurisdiction should be consulted before installations are made.
- C. Untrained operators subject themselves and others to **SERIOUS INJURY** or **DEATH**. **NEVER** allow untrained personnel to operate this equipment.
- D. Keep children and other unqualified personnel out of the working area at **ALL** times.
- E. **NEVER** start equipment until **ALL** persons are clear of the work area.
- F. Be sure **ALL** operators are adequately rested and prepared to perform **ALL** functions of operating the equipment.
- G. **DO NOT** wear loose fitting clothing when working around augers. Keep hair, loose clothing, and shoestrings away from rotating and moving parts.
- H. **NEVER** allow any person intoxicated or under the influence of alcohol or drugs to operate the equipment.
- I. **NEVER** allow anyone inside a bin, truck, or wagon which is being unloaded by an auger or conveyor. Flowing grain can trap and suffocate in seconds.
- J. Make sure someone is nearby who is aware of the proper shut down sequence in the event of an accident or emergency.
- K. **NEVER** work alone.
- L. **ALWAYS** think before acting. **DO NOT** act impulsively around the equipment.
- M. Make sure **ALL** equipment is locked in position before operating.
- N. **ALWAYS** keep hands and feet away from the auger intake and other moving parts.
- O. **NEVER** attempt to assist machinery operation or to remove trash from equipment while in operation.
- P. **NEVER** drive, stand, or walk under the equipment.
- Q. Use caution not to hit the auger when positioning the load.
- R. Use ample overhead lighting after sunset to light the work area.
- S. **ALWAYS** lock out **ALL** power to the equipment when finished unloading.
- T. Keep area around intake free of obstacles such as electrical cords, blocks, etc. that might trip workers.

## Wear Protective Clothing

Wear close fitting clothing and safety equipment appropriate to the job.

Remove all jewelry.

Long hair should be tied up and back.

Safety glasses should be worn at all times to protect eyes from debris.

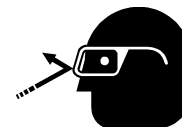
Wear gloves to protect your hands from sharp edges on plastic or steel parts.

Wear steel toe boots to help protect your feet from falling debris. Tuck in any loose or dangling shoe strings.

A respirator may be needed to prevent breathing potentially toxic fumes and dust.

Wear hard hat to help protect your head.

Eye Protection



Gloves



Steel Toe Boots



Respirator



Hard Hat



## Emergency Shut Down Sequence

A. In an emergency, shut down the power source.

## Pinch Points



*A Pinch Point is a narrow area between two surfaces that is likely to trap or catch objects and so is a potential safety hazard.*

A. Components of this equipment have sharp edges which can scrape and/or cut an operator.

B. A moving auger can sever an operator's limbs or even kill him/her.

## Shields and Guards

A. **ALWAYS** keep **ALL** shields and guards in place during operation.

**GSI will replace decals free of charge.**

**Operator Qualifications**

- A. The User/Operator must be competent and experienced to operate auger equipment. Anyone who works with or around augers must have good common sense in order to be qualified. These persons must also know and meet all other qualifications, such as:
- i. Any person who has not read and/or does not understand all operation and safety procedures is not qualified to operate any auger systems.
  - ii. Certain regulations apply to personnel operating power machinery. Personnel under the age of 18 years may not operate power machinery, including augers. It is your responsibility, as owner and/or supervisor, to know what these regulations are in your area or situation.
  - iii. Unqualified or incompetent persons are to remain out of the work area.
  - iv. O.S.H.A. (Occupational Safety and Health Administration) regulations state: "At the time of initial assignment and at least annually thereafter, the employer shall instruct every employee in the safe operation and servicing of all equipment with which the employee is, or will be involved". (Federal Occupational Safety and Health Standards for Agriculture. Sub Part D, Section 19287.57 (a) (6)).
- B. As a requirement of O.S.H.A., it is necessary for the employer to train the employee in the safe operating and safety procedures for this auger. The sign-off sheet is for your convenience and personal record keeping. All unqualified persons should always stay out of work area. It is strongly recommended that another qualified person who knows the shut down procedure is in the area in the event of an emergency.

<i><b>Date</b></i>	<i><b>Employee Name</b></i>	<i><b>Supervisor Name</b></i>



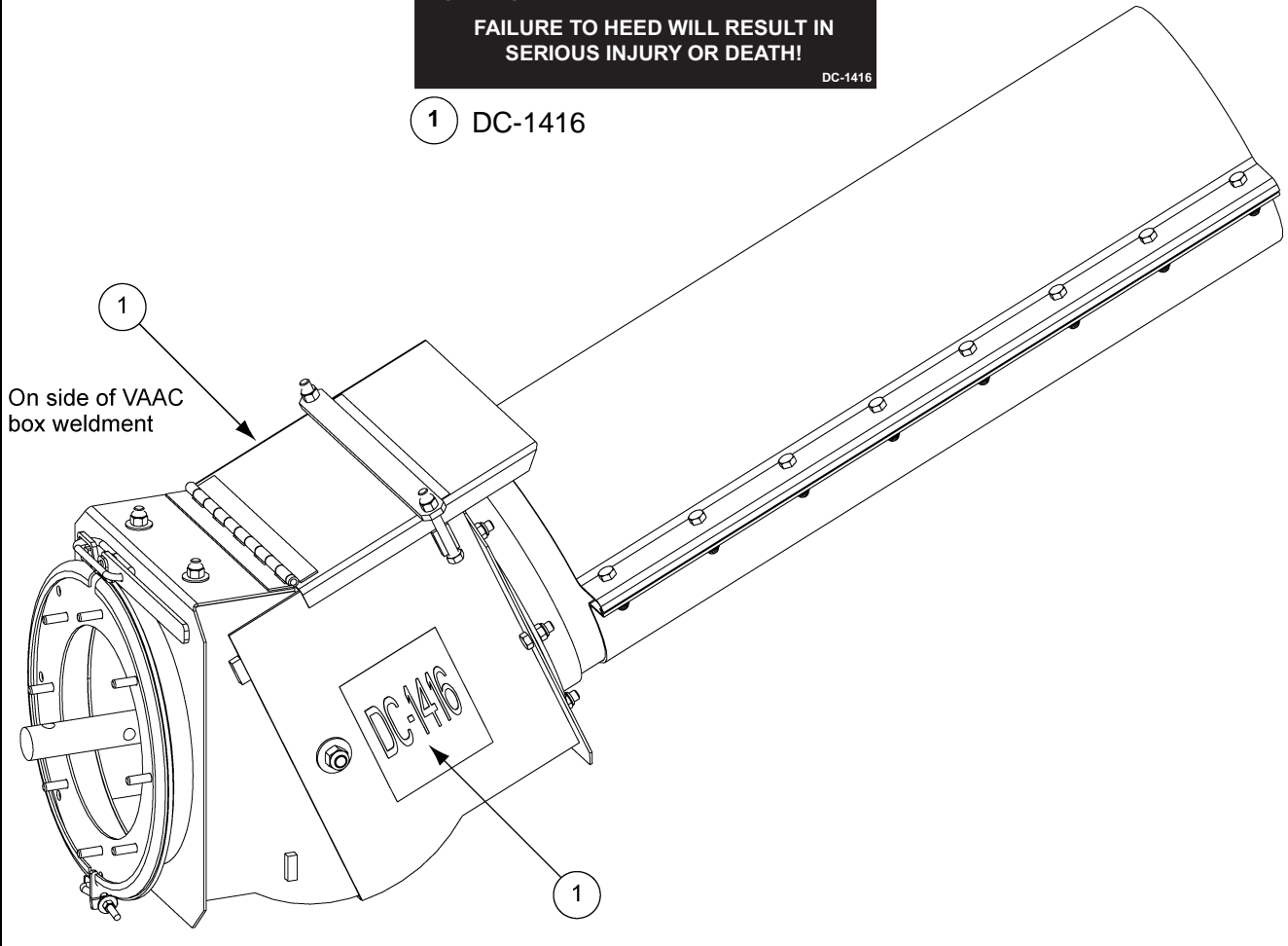
The illustration shows what the decals look like and where they should be located on the equipment. Inspect all decals and replace any that are illegible, worn, or missing. Contact your local dealer or the manufacturer to order replacement decals free of charge.

**VAAC Decal List**

Ref #	Part #	Description	Size
1	DC-1416	Danger - Rotating Auger	4" x 5-1/4"



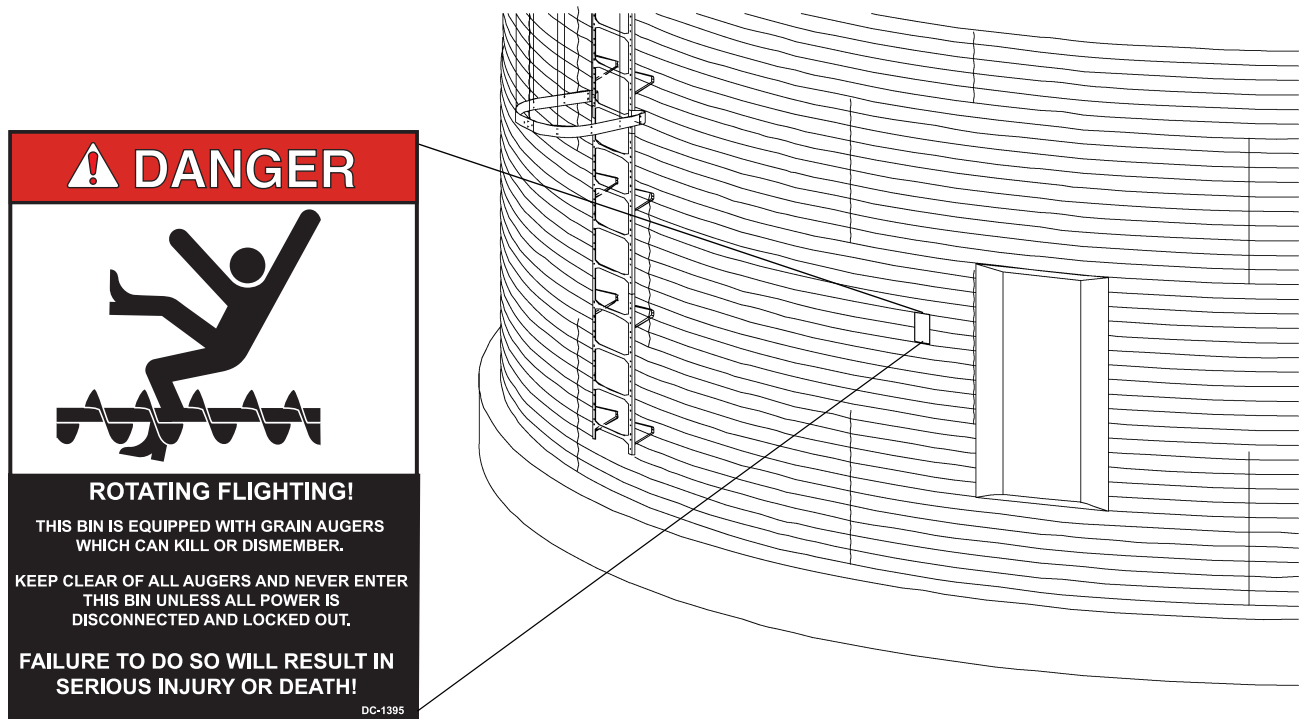
① DC-1416



### 3. Safety Decals

- A. DANGER Sign No. DC-1395 was supplied with your bin unloading equipment. This safety sign should be applied to the side of the bin near the bin opening, so it will be viewed by people entering into the bin storage building. Do not cover any safety signs or any other signs that are already there.
- B. If the safety sign location suggested is not in full view because of equipment modifications, other equipment in the area or any other reason, then locate the safety sign in a more suitable location.
- C. Be certain the surface is clean, dry and free of dirt and oil. Peel paper backing from decals and stick into place. The adhesive backing will bond on contact.

**NOTE:** Remember, safety signs provide important safety information for people working near bin unloading equipment that is in operation.



**NOTE:** If the safety sign cannot be easily read for any reason or has been painted over, replace it immediately. Additional safety signs may be obtained free of charge from your dealer, distributor or ordered from the factory.

Order SAFETY SIGN NO. DC-1395.

With an operating range of 0° to 25°, the variable angle auger connector can be used for a variety of applications. The intake end should attach to standard flange rings for standard bin unloading flight and tubes. The discharge side of the connector box can bolt to standard flange rings, or it can make a smooth tube type connection using the short flanged tube with connecting band. The smooth tube connection allows standard utility augers to be attached to the connector box.

The [Figure 4A](#) below shows the intake side with a VAAC connector box attached to an unloading tube and flight. The discharge side of the VAAC connector box is attached to a standard utility auger.

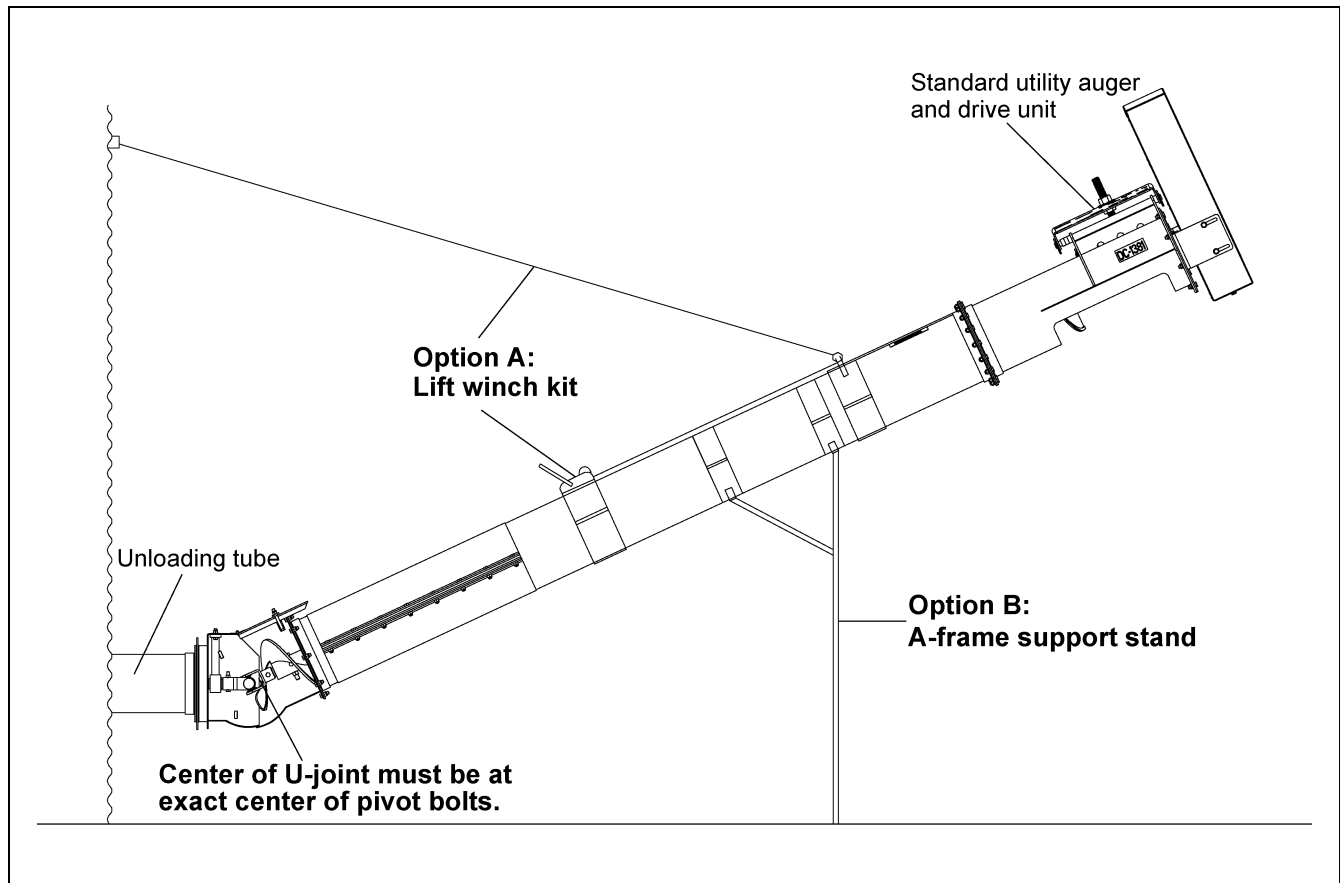


Figure 4A

## Inclined Auger Support

[Figure 4A](#) shows two different methods of supporting the inclined auger.

**NOTE:** The connector box **CANNOT** support the weight of the auger system attached to the output side of the connector box.

### CAUTION

**Loosen lid strap on connector box before raising or lowering incline auger or damage may occur to equipment. The connector box will not raise higher than 25°.**

- OPTION A: **WINCH KIT** - a winch kit provides an easy means to adjust the discharge height of the inclined auger. The kit includes winch, winch mount, roller assembly, roller assembly mounts, lift cable and hardware.
- OPTION B: **SUPPORT STAND** - An A-frame support stand provides a band on support for incline auger. The support stand can be attached at different locations along the auger tube to create various operating angles.

### Connecting Box Angle Adjustment



**DO NOT adjust the angle while the auger is in operation. Stop the machine and lock out power before cleaning, adjusting, or servicing.**



**DO NOT operate with cover open.**

**CAUTION**

**The inclined auger must always be supported. The connector box cannot support the weight of the auger system attached to the output side of the connector box.**

1. Loosen the cover strap on the connector box before changing the angle of operation.
2. Change angle of the inclined auger, by re-supporting the inclined auger at the desired angle.
3. Check to see if the U-joint is centered with pivot bolts and make sure the input flight is not rubbing on the bearing or bearing hanger on the inside of the connector box.
4. Close cover and secure the cover strap.

### Horsepower for an Auger System with an Inclined Discharge

To determine the horsepower required for the auger system, follow the [Steps 1-3](#) and use the [Chart Below](#).

1. Determine the overall length of auger system (horizontal plus inclined unit).
2. Multiply the total auger system length by the horsepower per foot from the [Chart Below](#).
3. Round horsepower up to the next common size motor.

Horsepower Chart	
Auger Diameter	Per Foot Horsepower Multiplier
6"	0.1
8"	0.15
10"	0.23

These horsepower recommendations are for augering reasonably dry grain at varying angles. High moisture grain (above 15%) will require greater power and maximum possible capacity will be less with high moisture grain than with dry grain.

Example for 10" unit:

1. 16' Horizontal portion and 11' inclined portion = 27' total length of auger system.
2.  $27 \times .23 = 6.21$  HP.
3. Round up to 7 HP motor.



**Refer to the installation manual received with the unloading equipment for information on safety and operating procedures. This should include start-up, shut down, lock out, break-in, full load operation, power source and troubleshooting.**

1. Connect the inlet stub to the bin unloading flight.
2. Connect the box weldment inlet flange to the unloading tube flange using the quick clamp or by directly bolting them together. (**NOTE:** If you have a 6" to 8" or 8" to 10" VAAC, bolt the adapter plate to the box weldment inlet flange before attaching to the bin unloading tube flange.)
3. Remove cover strap.
4. Attach the incline auger flight to the discharge connecting stub.
5. Fasten the outlet tube to the inclined auger tube using the connecting band.
6. Once the angle of the auger is adjusted, support auger with one of the options shown [on Page 11](#).
7. Replace cover strap over the lid and tighten.

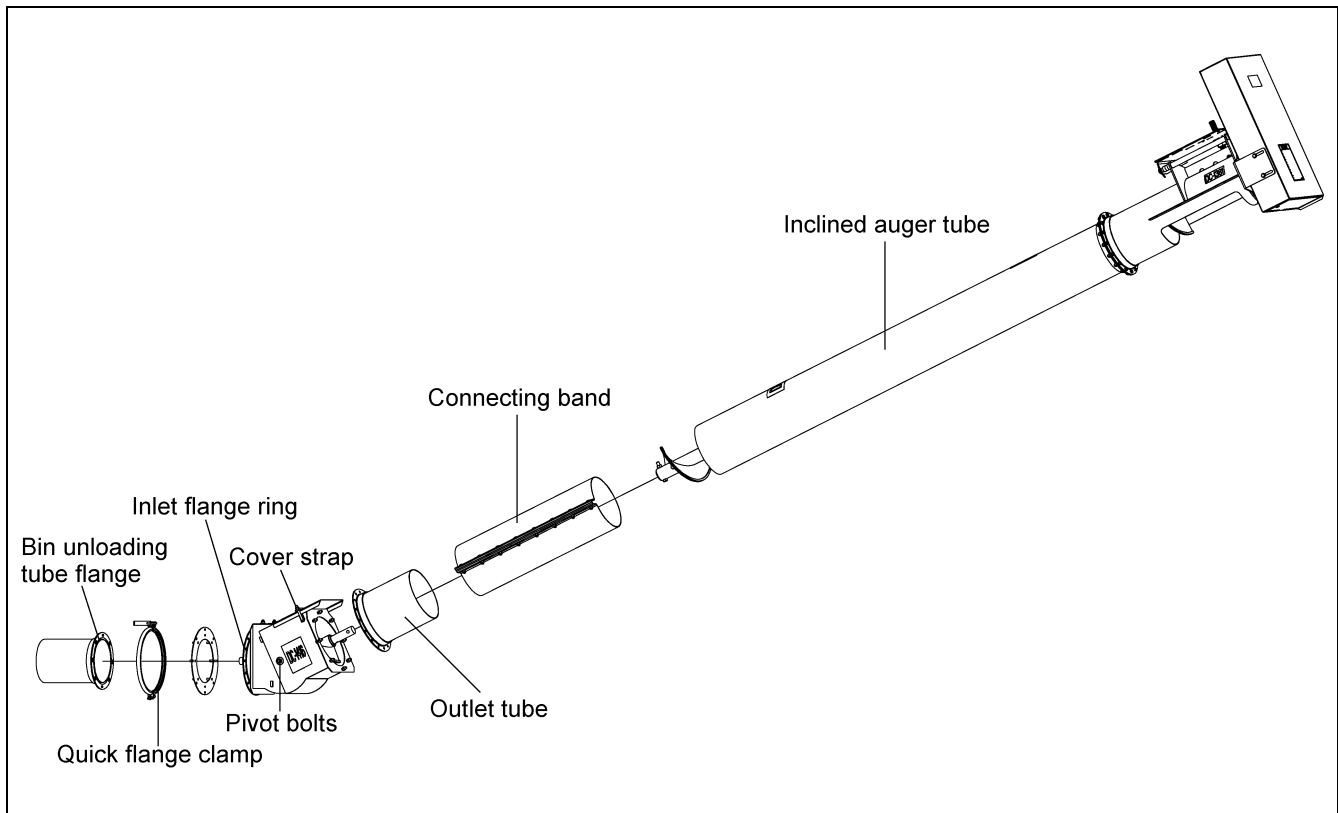
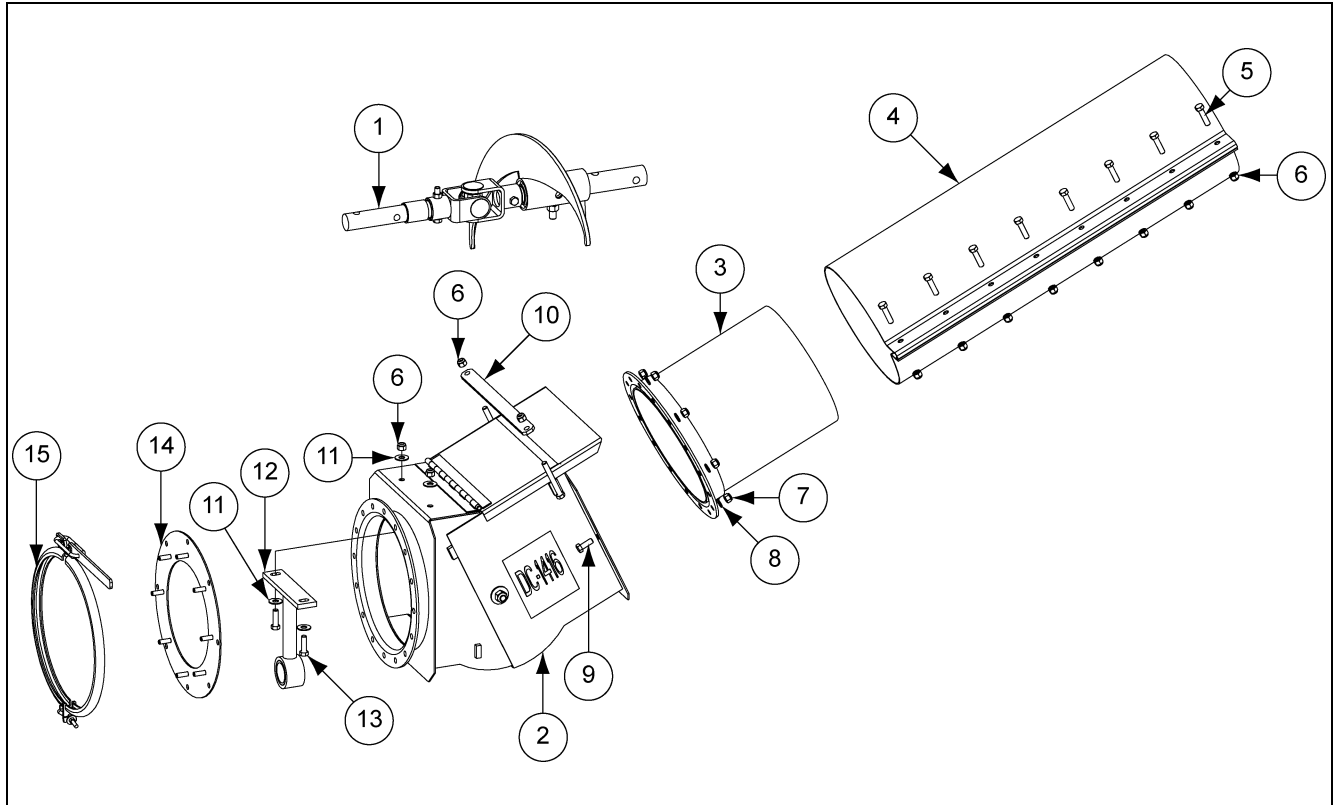


Figure 5A

# VAAC Parts

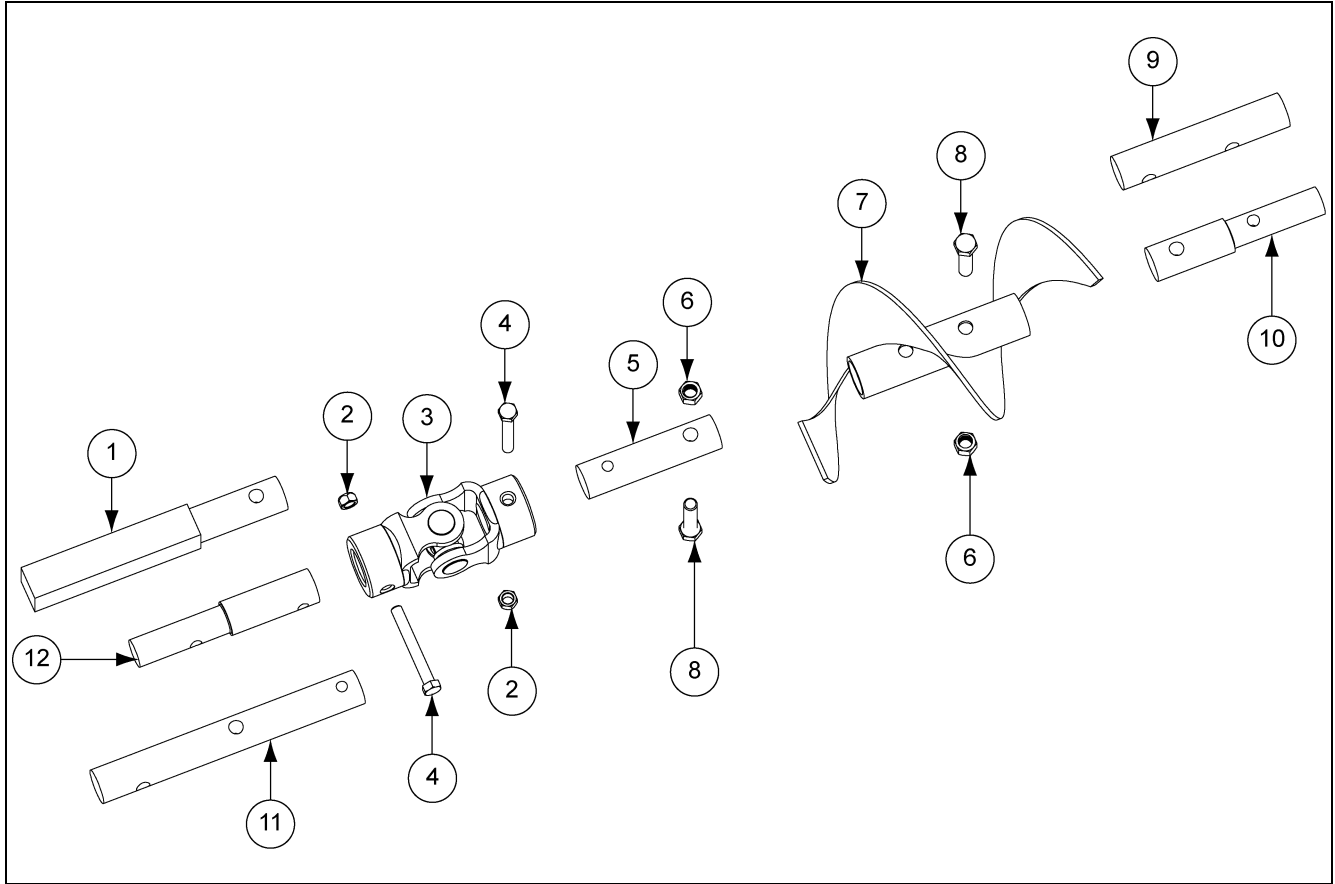


## VAAC Parts

Ref #	Part #	Description	Intake Size	Discharge Size	Intake Shaft	Discharge Shaft	Page #
1	GK5187	5" VAAC Flight Assembly	6"	6"	13/16" Round	13/16" Round	<a href="#">See Page 16</a>
	GK5188				1" Square	1" Round	
	GK6846				1" Round	1" Round	
	GK5190	7" VAAC Flight Assembly	6"	8"	13/16" Round	1-1/4" Round	<a href="#">See Page 17</a>
	GK5191				1" Square		
	GK7256				1" Round		
	GK5189				1-1/4" Round		
	GK5193	9" VAAC Flight Assembly	8"	10"	1-1/4" Round	1-1/2" Round	<a href="#">See Page 19</a>
	GK5192				1-1/2" Round		<a href="#">See Page 20</a>
	GK5194				1-1/4" Square		
	GK6002				1" Square		

Ref #	Part #	Description	System
2	GK2241	VAAC Box Assembly	6"
	GK2251		8"
	GK2258		10"
3	GK2246	Outlet Tube	6"
	GK2256		8"
	GK2266		10"
4	GK1048	Connecting Band	6"
	GK1015		8"
	GK1883		10"
5	S-2086	3/8"-16 x 1-1/2" HHCS Zinc Grade 8	ALL
6	S-7383	3/8"-16 Nylock Nut Zinc Grade 5	ALL
7	S-7382	5/16"-18 Nylock Nut Zinc Grade 5	6" and 8"
	S-7383	3/8"-16 Nylock Nut Zinc Grade 5	10"
8	S-1937	5/16" Flat Washer YDP	6" and 8"
9	S-4275	5/16"-18 x 3/4" HHTB Zinc Grade 5	6" and 8"
	S-7469	3/8"-16 x 1" HHCS Zinc Grade 5	10"
10	GK2245	Cover Strap	6"
	GK2255		8"
	GK4956		10"
11	S-248	3/8" Flat Washer YDP	ALL
12	GK1357	1" Hanger Bearing	6"
	GK1359	1-1/4" Hanger Bearing	8"
	GK4253	1-1/2" Hanger Bearing	10"
13	S-2071	3/8"-16 x 1-1/4" HHCS Zinc Grade 5	ALL
14	GK1280	6"-8" Mounting Adapter Ring	6"-8"
	GK1298	8"-10" Mounting Adapter Ring	8"-10"
15	GK1013	6" Quick Clamp Band Assembly	6"
	GK1279	8" Quick Clamp Band Assembly	8"
	GK1299	10" Quick Clamp Band Assembly	10"

## 6"-6" Flight Assembly Parts

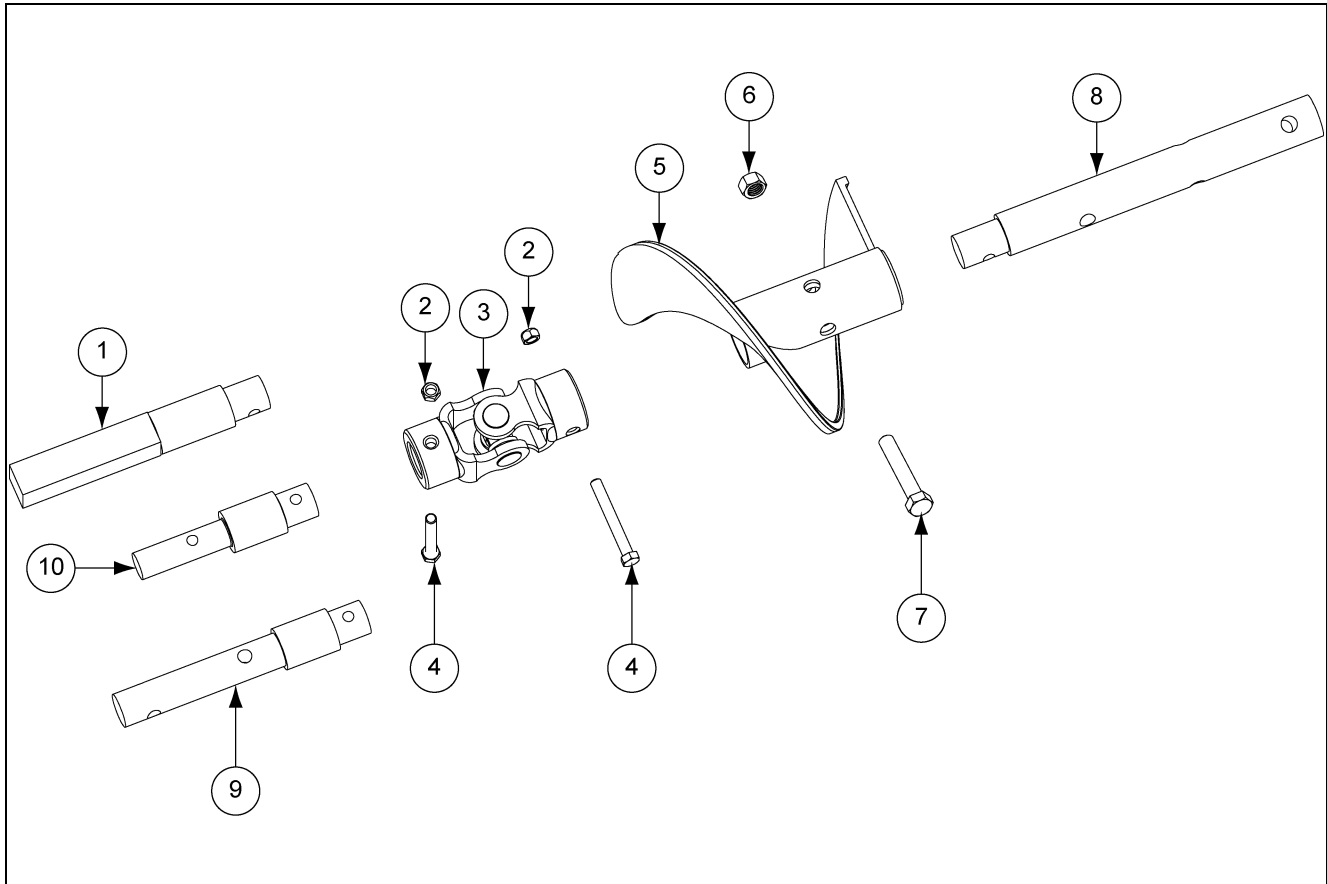


### 6"-6" Flight Assembly Parts

Ref #	Part #	Description
1	GK2269	Intake Shaft 1" O.D. x 1" SQ x 7-5/8" Long
2	S-8324	5/16"-18 Stover Nut Zinc Grade C
3	GK1266	U-Joint 1" Bore x 5" Long
4	S-7076	5/16"-18 x 2-1/2" HHCS Zinc Grade 5
5	GK2248	Intermediate Shaft 1" O.D. x 4" Long
6	S-8251	3/8"-16 Stover Nut Zinc Grade C
7	GK2243	VAAC 6" Flight x 9" Long
8	S-3727	3/8"-16 x 1-3/4" HHCS Zinc Grade 8
9	GK2247	Discharge Shaft 1" O.D. x 5" Long
10	GK2244	Discharge Shaft 1":13/16" O.D. x 5-1/16" Long
11	GK5706	Intake Shaft 1" O.D. x 7-7/8" Long
12	GK2249	Intake Shaft 1":13/16" O.D. x 5-3/8" Long



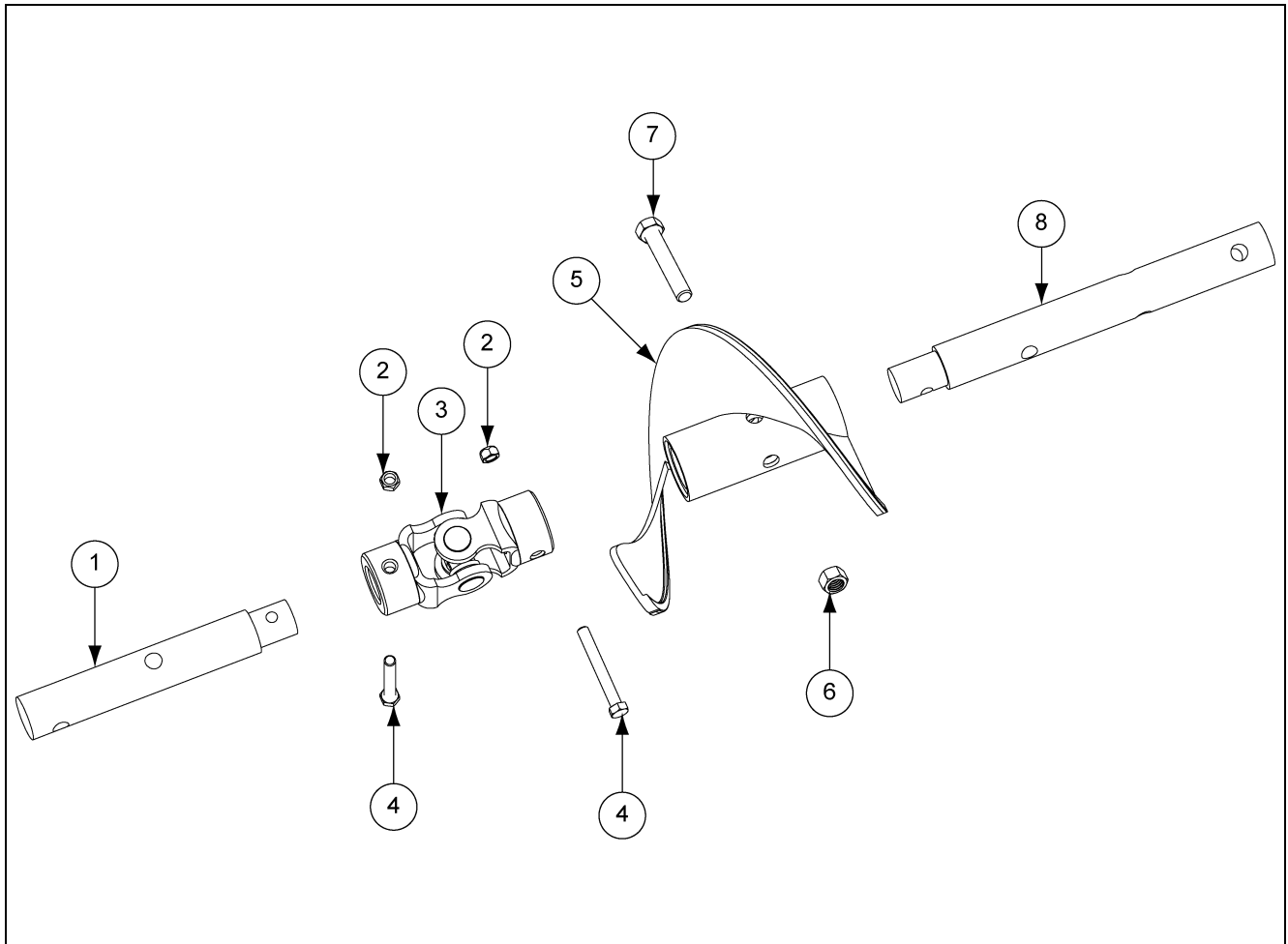
## 6"-8" Flight Assembly Parts



### 6"-8" Flight Assembly Parts

Ref #	Part #	Description
1	GK4690	Intake Shaft 1":1-1/4" O.D.:1" SQ x 7-5/8" Long
2	S-8324	5/16"-18 Stover Nut Zinc Grade C
3	GK1266	U-Joint 1" Bore x 5" Long
4	S-7076	5/16"-18 x 2-1/2" HHCS Zinc Grade 5
5	GK2253	VAAC 8" Flight x 7-1/4" Long
6	S-8317	7/16"-14 Stover Nut Zinc Grade C
7	S-7013	7/16"-14 x 2-1/2" HHCS Zinc Grade 5
8	GK2254	Discharge Shaft 1":1-1/4" O.D. x 11" Long
9	GK5704	Intake Shaft 1":1-1/4":1" O.D. x 7-9/16" Long
10	GK1264	Intake Shaft 13/16":1-1/4":13/16" O.D. x 5-3/8" Long

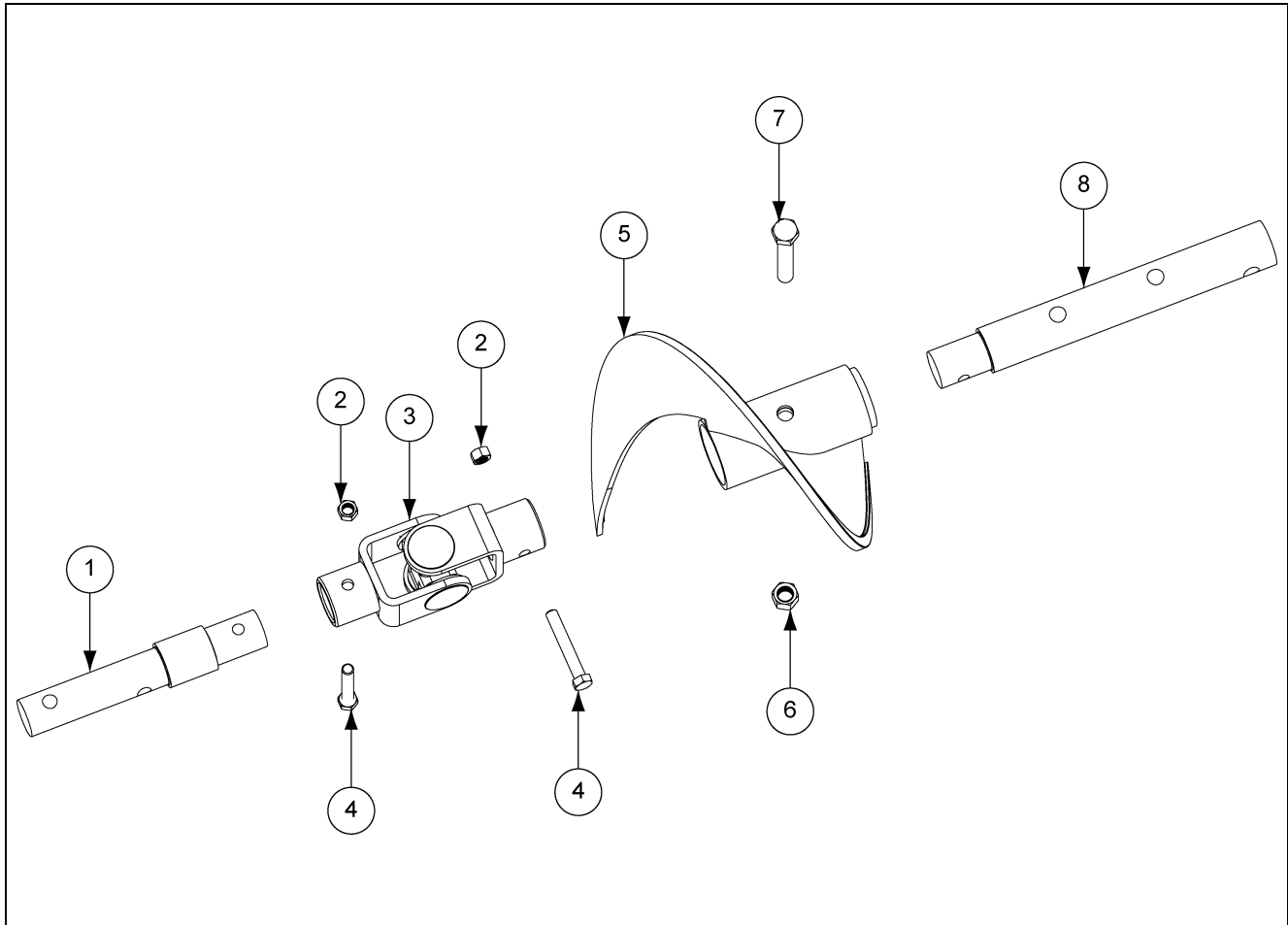
## 8"-8" Flight Assembly Parts



## 8"-8" Flight Assembly Parts

Ref #	Part #	Description
1	GK1283	Intake Shaft 1-1/4":1" O.D. x 7-7/8" Long
2	S-8324	5/16"-18 Stover Nut Zinc Grade C
3	GK1266	U-Joint 1" Bore x 5" Long
4	S-7076	5/16"-18 x 2-1/2" HHCS Zinc Grade 5
5	GK2253	VAAC 8" Flight x 7-1/4" Long
6	S-8317	7/16"-14 Stover Nut Zinc Grade C
7	S-7013	7/16"-14 x 2-1/2" HHCS Zinc Grade 5
8	GK2254	Discharge Shaft 1-1/4":1" O.D. x 11" Long

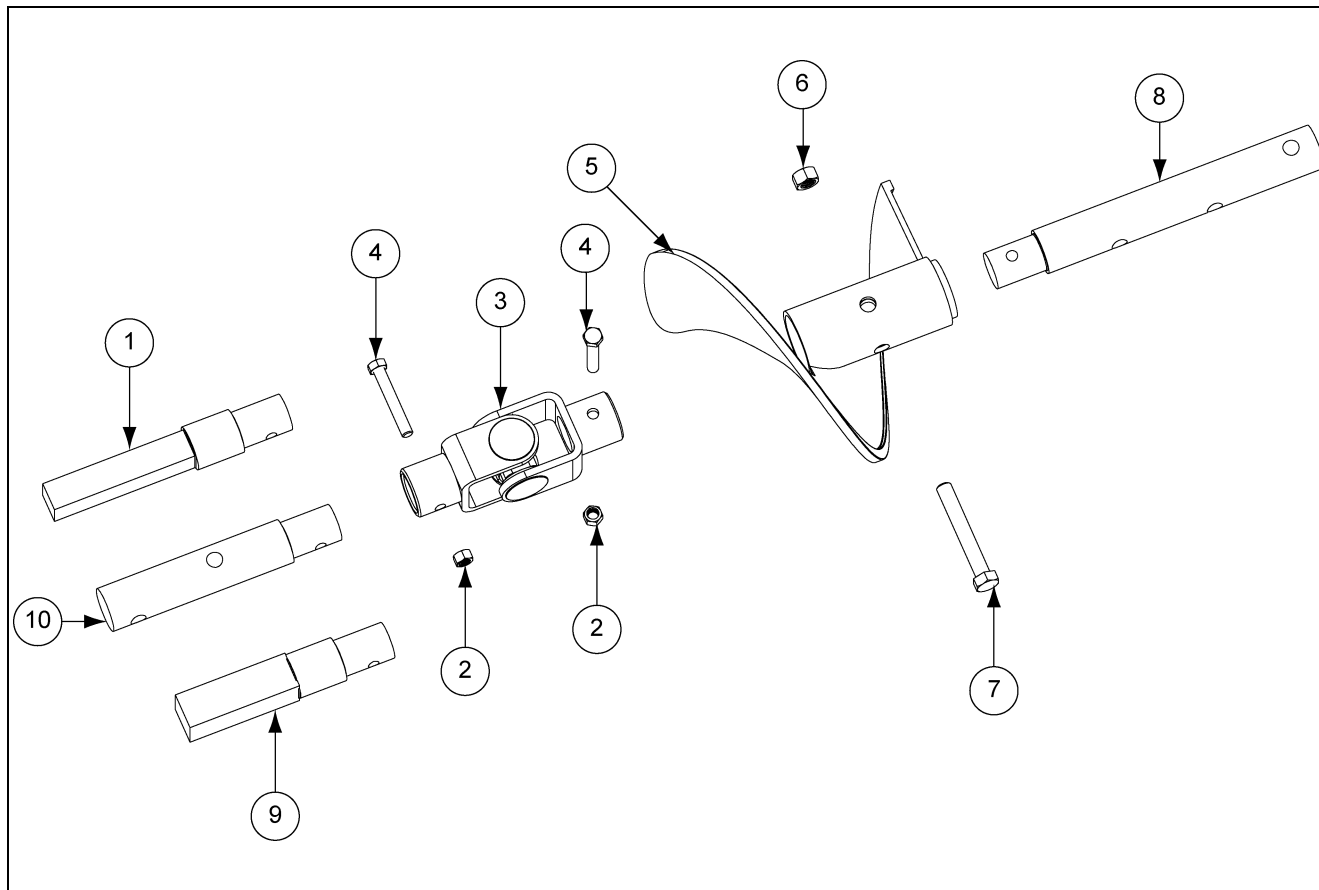
## 8"-10" Flight Assembly Parts



### 8"-10" Flight Assembly Parts

Ref #	Part #	Description
1	GK1292	Intake Shaft 1-1/4":1-1/2":1-1/4" O.D. x 8-1/8" Long
2	S-8251	3/8"-16 Stover Nut Zinc Grade C
3	GK1291	U-Joint 1-1/4" Bore x 7" Long
4	S-6762	3/8"-16 x 2-1/2" HHCS Zinc Grade 5
5	GK2261	VAAC 10" Flight x 9" Long
6	S-8315	1/2"-13 Stover Nut Zinc Grade C
7	S-8314	1/2"-13 x 3-1/2" HHCS YDP Grade 8
8	GK2264	Discharge Shaft 1-1/4":1-1/2" O.D. x 11-1/2" Long

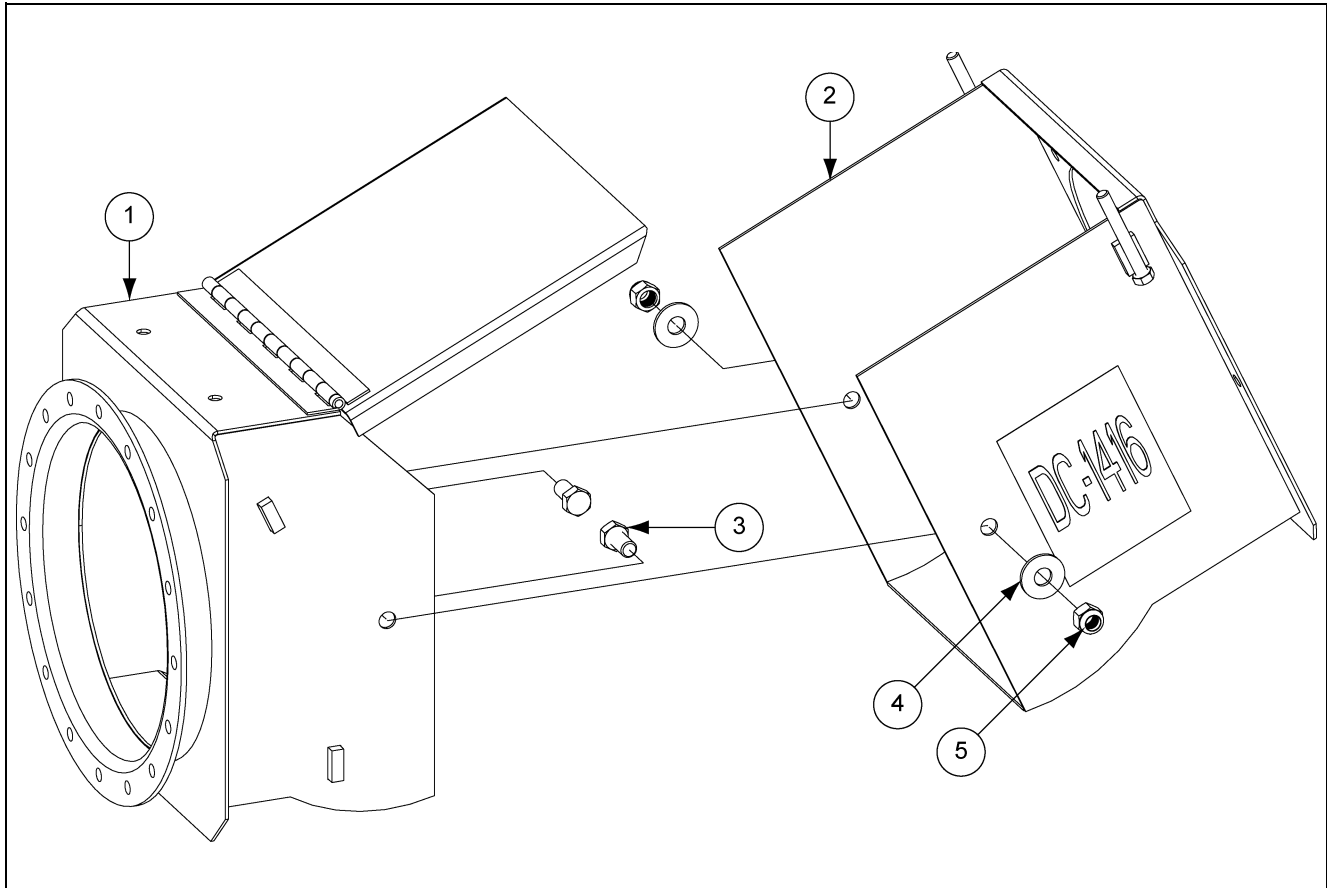
## 10"-10" Flight Assembly Parts



10"-10" Flight Assembly Parts

Ref #	Part #	Description
1	GK1996	Intake Shaft 1-1/4":1-1/2" O.D.:1" SQ x 8-3/8" Long
2	S-8251	3/8"-16 Stover Nut Zinc Grade C
3	GK1291	U-Joint 1-1/4" Bore x 7" Long
4	S-6762	3/8"-16 x 2-1/2" HHCS Zinc Grade 5
5	GK2261	VAAC 10" Flight x 9" Long
6	S-8315	1/2"-13 Stover Nut Zinc Grade C
7	S-8314	1/2"-13 x 3-1/2" HHCS YDP Grade 8
8	GK2264	Discharge Shaft 1-1/4":1-1/2" O.D. x 11-1/2" Long
9	GK2273	Intake Shaft 1-1/4":1-1/2" O.D.:1-1/4" SQ x 7-1/4" Long
10	GK2263	Intake Shaft 1-1/4":1-1/2" O.D. x 8-1/8"

## VAAC Box Parts



### VAAC Box Parts

Ref #	Part #	Description	System
1	GC05585	Intake VAAC Box Assembly	6"
	GC03725		8"
	GC05606		10"
2	GC05575	Discharge VAAC Box Assembly	6"
	GC03730		8"
	GC05600		10"
3	S-7935	1/2"-13 x 1" HHCS Zinc Grade 5	ALL
4	S-2121	1/2" Flat Washer Plated	ALL
5	S-8260	1/2"-13 Nylock Nut Zinc Grade 5	ALL

---

# NOTES

## The GSI Group Warranty

THE GSI GROUP (GSI) WARRANTS ALL PRODUCTS WHICH IT MANUFACTURES TO BE FREE OF DEFECTS IN MATERIAL AND WORKMANSHIP UNDER NORMAL USAGE AND CONDITIONS FOR A PERIOD OF 12 MONTHS AFTER RETAIL SALE TO THE ORIGINAL END USER. THE PURCHASER'S SOLE REMEDY AND GSI'S ONLY OBLIGATION SHALL BE TO REPAIR OR REPLACE, AT GSI'S OPTION AND EXPENSE, PRODUCTS THAT, IN GSI'S SOLE JUDGMENT, CONTAIN A MATERIAL DEFECT DUE TO MATERIALS OR WORKMANSHIP. ALL DELIVERY AND SHIPMENT CHARGES TO AND FROM GSI'S FACTORY WILL BE PURCHASER'S RESPONSIBILITY. EXPENSES INCURRED BY OR ON BEHALF OF THE PURCHASER WITHOUT PRIOR WRITTEN AUTHORIZATION FROM AN AUTHORIZED EMPLOYEE OF GSI SHALL BE THE SOLE RESPONSIBILITY OF THE PURCHASER.

EXCEPT FOR THE LIMITED WARRANTY EXPRESSED ABOVE, GSI MAKES NO FURTHER WARRANTY OF ANY KIND, EXPRESS OR IMPLIED, INCLUDING, WITHOUT LIMITATION, WARRANTIES OF MERCHANTABILITY OR FITNESS FOR A PARTICULAR PURPOSE OR USE IN CONNECTION WITH (I) PRODUCT MANUFACTURED OR SOLD BY GSI OR (II) ANY ADVICE, INSTRUCTION, RECOMMENDATION OR SUGGESTION PROVIDED BY AN AGENT, REPRESENTATIVE OR EMPLOYEE OF GSI REGARDING OR RELATED TO THE CONFIGURATION, INSTALLATION, LAYOUT, SUITABILITY FOR A PARTICULAR PURPOSE, OR DESIGN OF SUCH PRODUCTS.

GSI SHALL NOT BE LIABLE FOR ANY DIRECT, INDIRECT, INCIDENTAL OR CONSEQUENTIAL DAMAGES, INCLUDING, WITHOUT LIMITATION, LOSS OF ANTICIPATED PROFITS OR BENEFITS. PURCHASER'S SOLE AND EXCLUSIVE REMEDY IS AS SET FORTH IN THE LIMITED WARRANTY EXPRESSED ABOVE, WHICH SHALL NOT EXCEED THE AMOUNT PAID FOR THE PRODUCT PURCHASED. THIS WARRANTY IS NOT TRANSFERABLE AND APPLIES ONLY TO THE ORIGINAL PURCHASER. GSI SHALL HAVE NO OBLIGATION OR RESPONSIBILITY FOR ANY REPRESENTATIONS OR WARRANTIES MADE BY OR ON BEHALF OF ANY DEALER, AGENT OR DISTRIBUTOR OF GSI.

GSI ASSUMES NO RESPONSIBILITY FOR CLAIMS RESULTING FROM ERECTION DEFECTS OR UNAUTHORIZED MODIFICATIONS TO PRODUCTS WHICH IT MANUFACTURED. MODIFICATIONS TO PRODUCTS NOT SPECIFICALLY DELINEATED IN THE MANUAL ACCOMPANYING THE EQUIPMENT AT INITIAL SALE WILL NULLIFY THE PRODUCT WARRANTY THAT MIGHT HAVE BEEN OTHERWISE AVAILABLE.

THE FOREGOING WARRANTY SHALL NOT EXTEND TO PRODUCTS OR PARTS WHICH HAVE BEEN DAMAGED BY NEGLIGENT USE, MISUSE, ALTERATION OR ACCIDENT. THIS WARRANTY EXTENDS SOLELY TO ONLY PRODUCTS MANUFACTURED BY GSI. THIS WARRANTY IS EXCLUSIVE AND IN LIEU OF ALL OTHER WARRANTIES EXPRESS OR IMPLIED. GSI RESERVES THE RIGHT TO MAKE DESIGN OR SPECIFICATION CHANGES AT ANY TIME.

PRIOR TO INSTALLATION, PURCHASER HAS THE RESPONSIBILITY TO COMPLY WITH ALL FEDERAL, STATE AND LOCAL CODES WHICH MAY APPLY TO THE LOCATION AND INSTALLATION OF PRODUCTS MANUFACTURED OR SOLD BY GSI.

This equipment shall be installed in accordance with the current installation codes and applicable regulations which should be carefully followed in all cases. Authorities having jurisdiction should be consulted before installations are made.

G S I G R O U P



**GSI Group**  
**1004 E. Illinois St.**  
**Assumption, IL 62510-0020**  
**Phone: 1-217-226-4421**  
**Fax: 1-217-226-4420**  
**[www.gsiag.com](http://www.gsiag.com)**