



Rack and Pinion Installation

1. Make sure all gates are fully closed.
2. Slip rack and pinion tube over center gate control rod and align holes. Make sure rack and pinion is fully extended toward bin wall. *(See Figure 1.)*
3. With rack and pinion resting on unload tube and with tube holes aligned, insert one 5/16" x 1-3/4" bolt through the rack and pinion tube and center gate control rod. Fasten together with a nut. *(See Figure 1.)*
4. Slide wrench assembly over shaft on rack and pinion. Make sure the collar faces the gears. Fasten down with 3/8" flat washer and 3/8" x 3/4" hex bolt. *(See Figure 2 on Page 2.)*

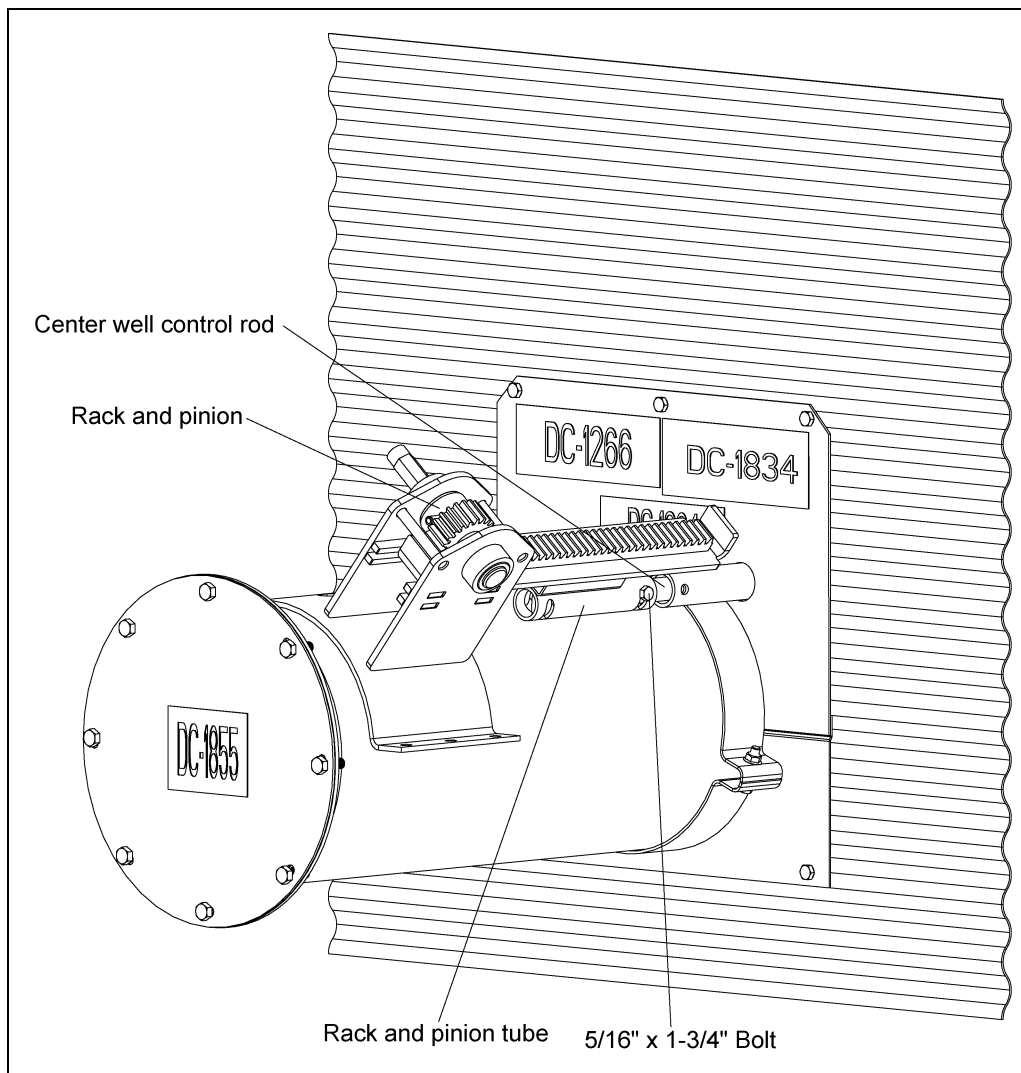


Figure 1



8" and 10" Rack and Pinion

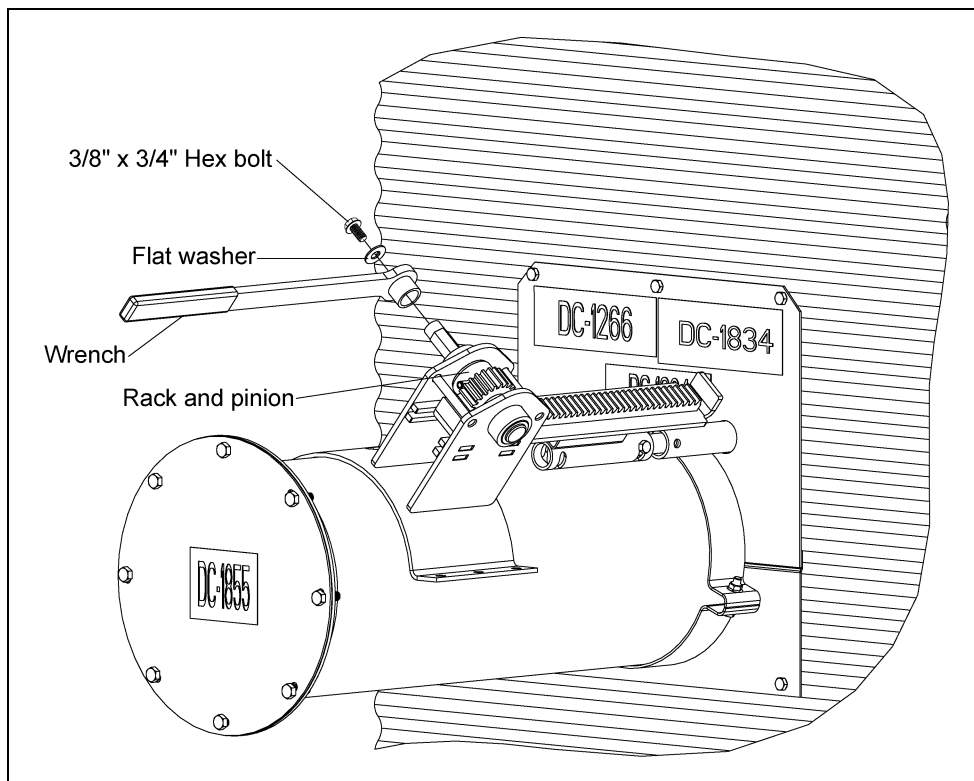


Figure 2

5. With rack and pinion fully extended, attach lower half band and secure to unload tube with six (6) 5/16" x 1-1/2" bolts, washers and serrated flange nuts, three (3) on each side. (See Figure 3.)
6. To open all gates, with center gate closed, place second 5/16" x 1-3/4" bolt through center gate control rod and intermediate gate control rod and secure with nut. (See Figure 3.)

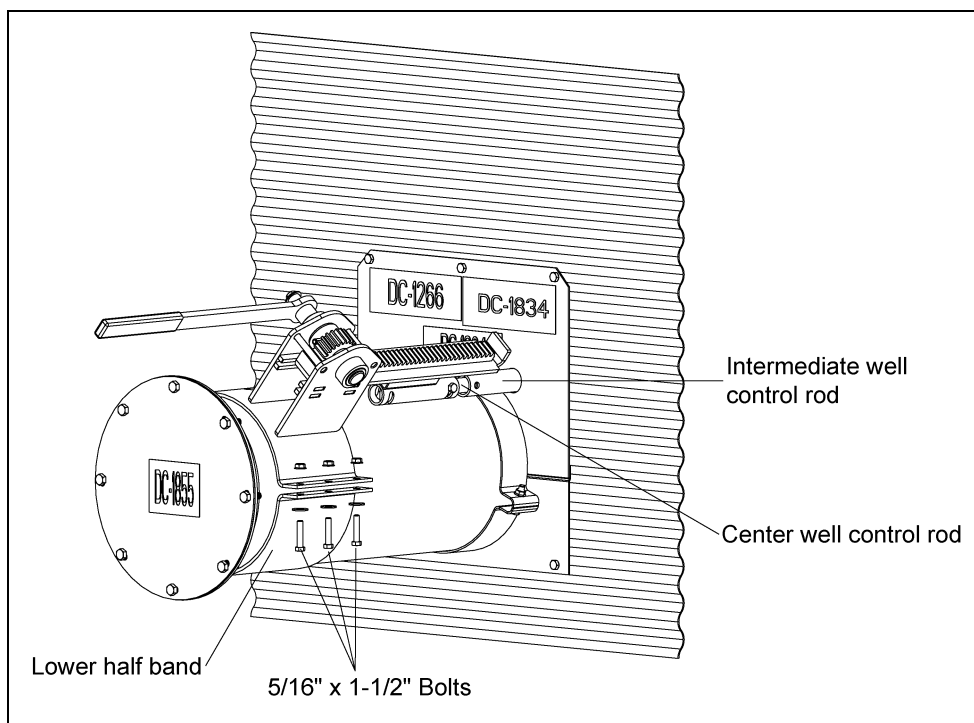
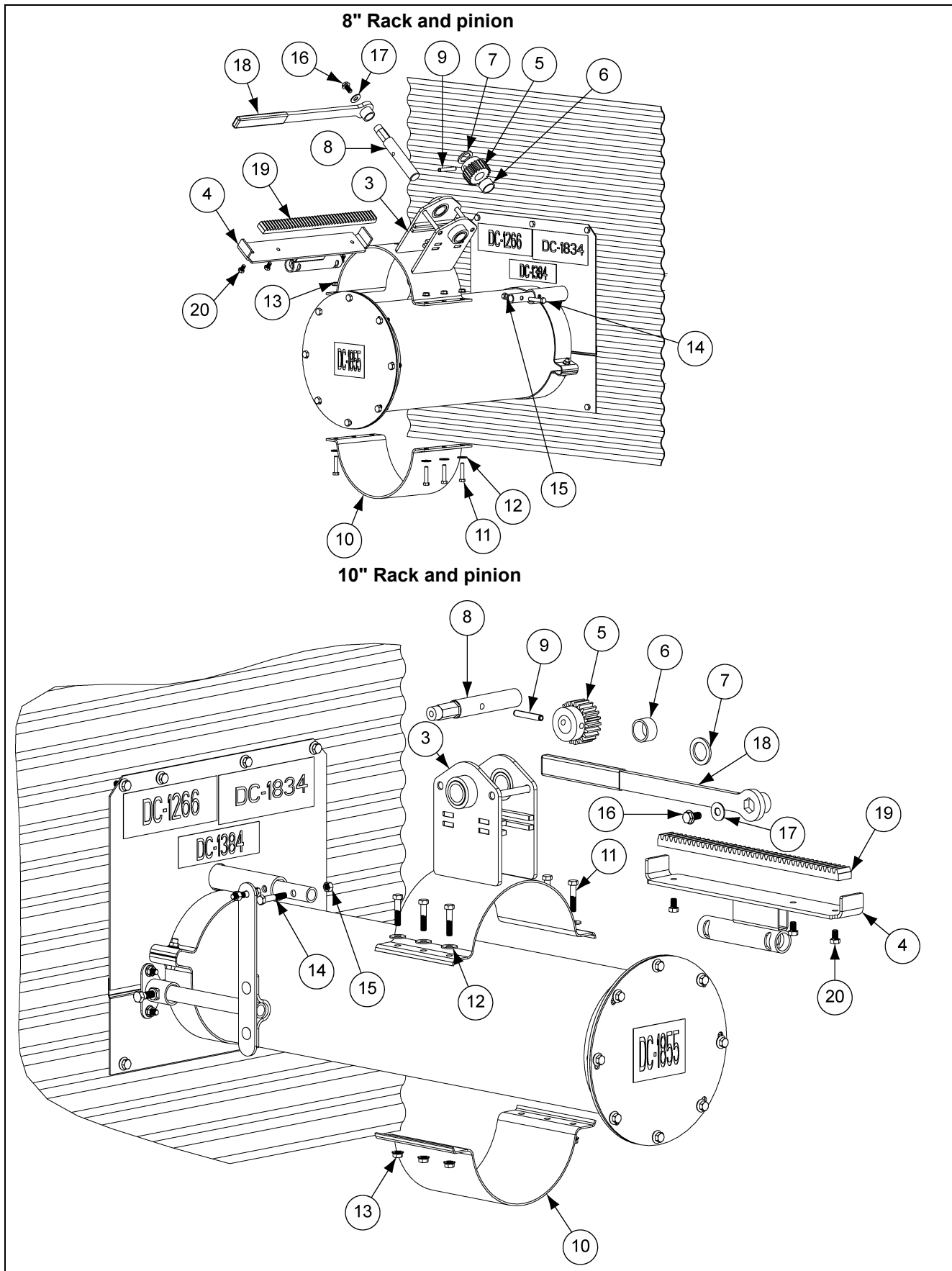


Figure 3

8" and 10" Rack and Pinion



8" and 10" Rack and Pinion

8" and 10" Rack and Pinion Parts List

Ref #	Part #	Description
3	GK6838	8" Rack and Pinion Housing Assembly
3	GK6966	10" Rack and Pinion Housing Assembly
4	GK80079	8" Rack and Pinion Body Assembly
4	GK80080	10" Rack and Pinion Body Assembly
5	GC09859	Spur Gear 10DP 1" Face 22T
6	GK6841	Rack and Pinion Spacer Tube
7	GK4211	1" I.D. x 1-1/2" O.D. Flat Washer 10 Gauge Zinc
8	GK6845	Rack and Pinion Crank Shaft
9	S-4377	5/16" x 2" Grooved Roll Pin
10	GK1603	8" Half Band
10	GK5116	10" Half Band
11	S-2741	5/16"-18 x 1-1/2" HHCS Zinc Grade 5
12	S-845	5/16" Flat Washer Zinc Grade 2
13	S-3611	5/16"-18 Serrated Flange Nut Zinc Grade 2
14	S-7149	5/16"-18 x 1-3/4" HHTB Grade 5
15	S-396	5/16" Hex Nut Zinc Grade 2
16	S-9067	3/8"-16 x 3/4" Flange Bolt Zinc Grade 5
17	S-248	3/8" Flat Washer Zinc Grade 2
18	GK7260	3/4" Wrench Assembly
19	GC10316	Rack Bar 10P x 1" x 14"
20	S-8999	5/16"-18 x 1/2" HHCS Zinc Grade 5