



Rack and Pinion Installation

1. Make sure all gates are fully closed.
2. Slip rack and pinion tube over (C) center gate control rod and align holes. Make sure rack and pinion (B) is fully extended toward bin wall. *(See Figure 1.)*
3. With rack and pinion resting on unload tube and with tube holes aligned, insert one 5/16" x 1-3/4" bolt (D) through the rack and pinion tube (C) and center gate control rod. Fasten together with a nut. *(See Figure 1.)*
4. Slide wrench (G) assembly over shaft on rack and pinion. Make sure the collar faces the gears. Fasten down with 3/8" flat washer (F) and 3/8" x 3/4" hex bolt (E). *(See Figure 2 on Page 2.)*

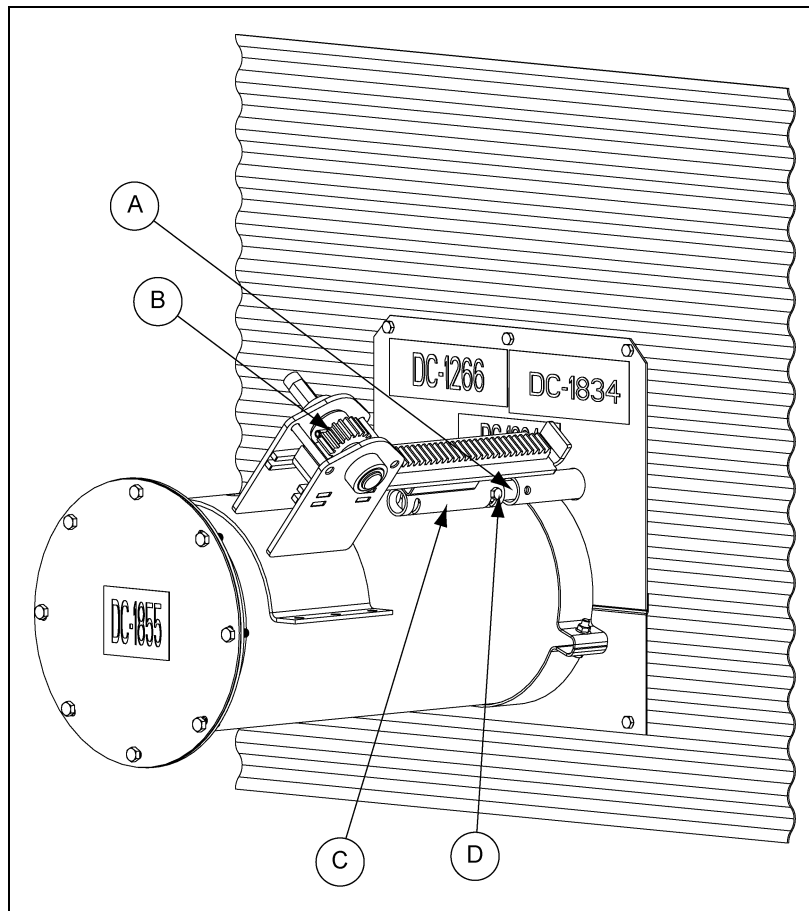


Figure 1

Ref #	Description
A	Center Well Control Rod
B	Rack and Pinion
C	Rack and Pinion Tube
D	5/16" x 1-3/4" Bolt



8" and 10" Rack and Pinion

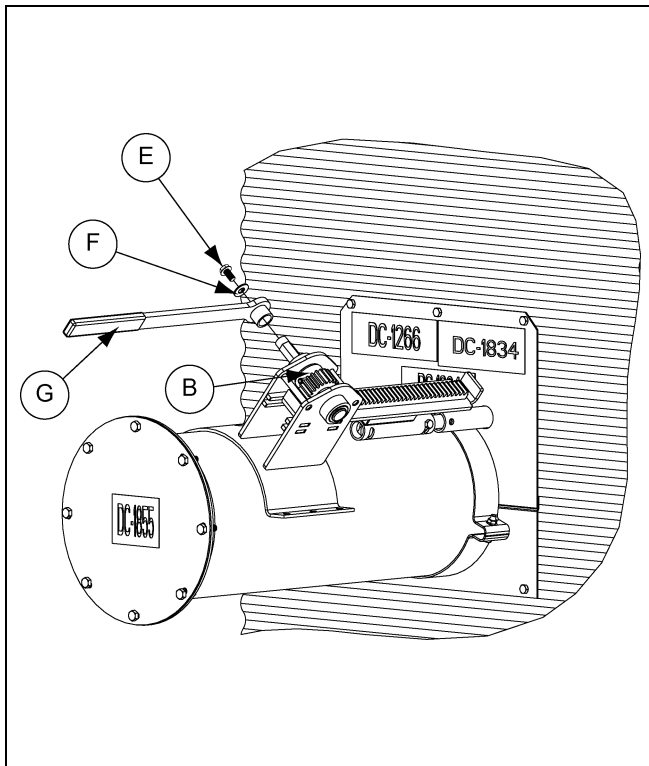


Figure 2

Ref #	Description
B	Rack and Pinion
E	3/8" x 3/4" Hex bolt
F	Flat washer
G	Wrench

5. With rack and pinion fully extended, attach lower half band (H) and secure to unload tube with six (6) 5/16" x 1-1/2" bolts (I), washers and serrated flange nuts, three (3) on each side. *(See Figure 3.)*
6. To open all gates, with center gate closed, place second 5/16" x 1-3/4" bolt through center gate control rod (J) and intermediate gate control rod (K) and secure with nut. *(See Figure 3.)*

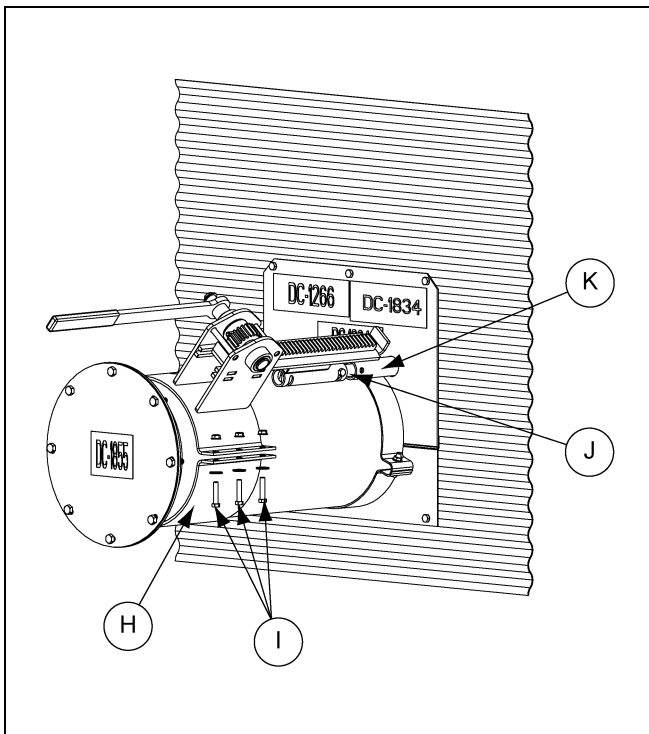
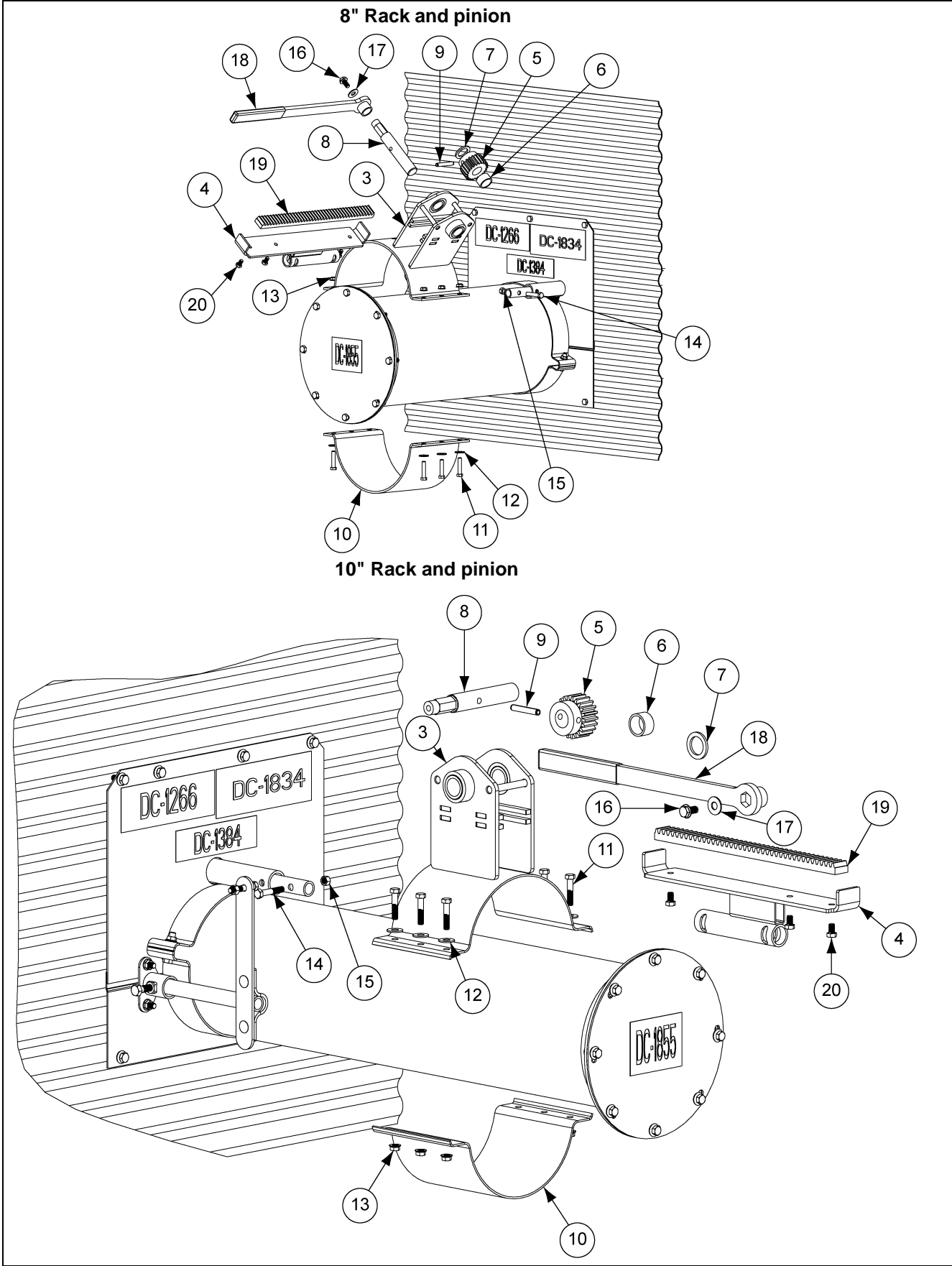


Figure 3

Ref #	Description
H	Lower Half Band
I	5/16" x 1-1/2" Bolts
J	Center Well Control Rod
K	Intermediate Well Control Rod

8" and 10" Rack and Pinion Parts



8" and 10" Rack and Pinion

8" and 10" Rack and Pinion Parts List

Ref #	Part #	Description
3	GK6838	8" Rack and Pinion Housing Assembly
3	GK6966	10" Rack and Pinion Housing Assembly
4	GK80079	8" Rack and Pinion Body Assembly
4	GK80080	10" Rack and Pinion Body Assembly
5	GC09859	Spur Gear 10DP 1" Face 22T
6	GK6841	Rack and Pinion Spacer Tube
7	GK4211	1" I.D. x 1-1/2" O.D. Flat Washer 10 Gauge Zinc
8	GK6845	Rack and Pinion Crank Shaft
9	S-4377	5/16" x 2" Grooved Roll Pin
10	GK1603	8" Half Band
10	GK5116	10" Half Band
11	S-2741	5/16"-18 x 1-1/2" HHCS Zinc Grade 5
12	S-845	5/16" Flat Washer Zinc Grade 2
13	S-10268	Flange Nut, 5/16"-18 JS500 Grade 5
14	S-7149	5/16"-18 x 1-3/4" HHTB Grade 5
15	S-7484	Hex Nut, 5/16"-18 JS500 Grade 5
16	S-9067	3/8"-16 x 3/4" Flange Bolt Zinc Grade 5
17	S-248	3/8" Flat Washer Zinc Grade 2
18	GK7260	3/4" Wrench Assembly
19	GC10316	Rack Bar 10P x 1" x 14"
20	S-8999	5/16"-18 x 1/2" HHCS Zinc Grade 5