



Plenum Door Installation Instructions

The plenum door kit (MIS-6700) is an option for a grain storage bin with full floor aeration. It is used as access for cleaning the floor.

Follow the procedure given below to install the plenum door on the storage bin.

1. The plenum door must be installed on the bottom ring across from the fan between stiffeners where there is no vertical seam.
2. Place the plenum door on the foundation and mark the portion of the sidewall to be cut out.
(See Figure 1.)

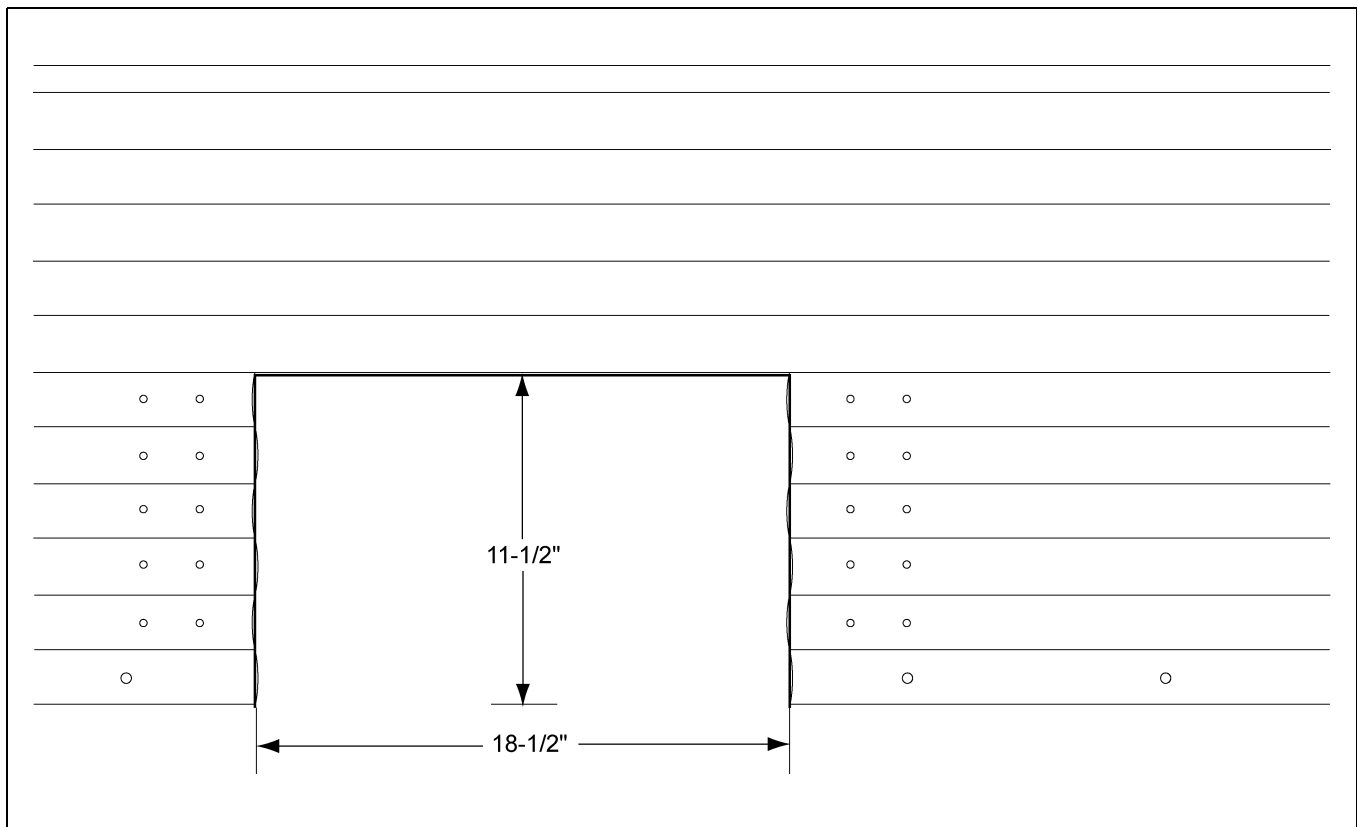


Figure 1

3. Cut out the side wall sheet and base angle, and field drill holes of diameter 7/16". (See Figure 1.)

NOTE: The cut out base angle should be installed above the plenum door assembly.

4. Apply the sealant around the plenum door assembly (A).
5. Insert the plenum door (A) into the cut out with the attachment plates (B) inside the sidewall.
6. Secure the plenum door (A) to the sidewall with ten (10) bolts (C) and nuts (D) on each side of the opening.



Plenum Door Installation

Plenum Door Installation Instructions (Continued)

7. Install the cut out base angle above the plenum door (A).
8. Apply the seal (E) around the outside edges of the plenum door (A) as shown in [Figure 2](#).
9. Install the panel (F) to the plenum door (A) with ten (10) bolts (C) and neoprene washers.

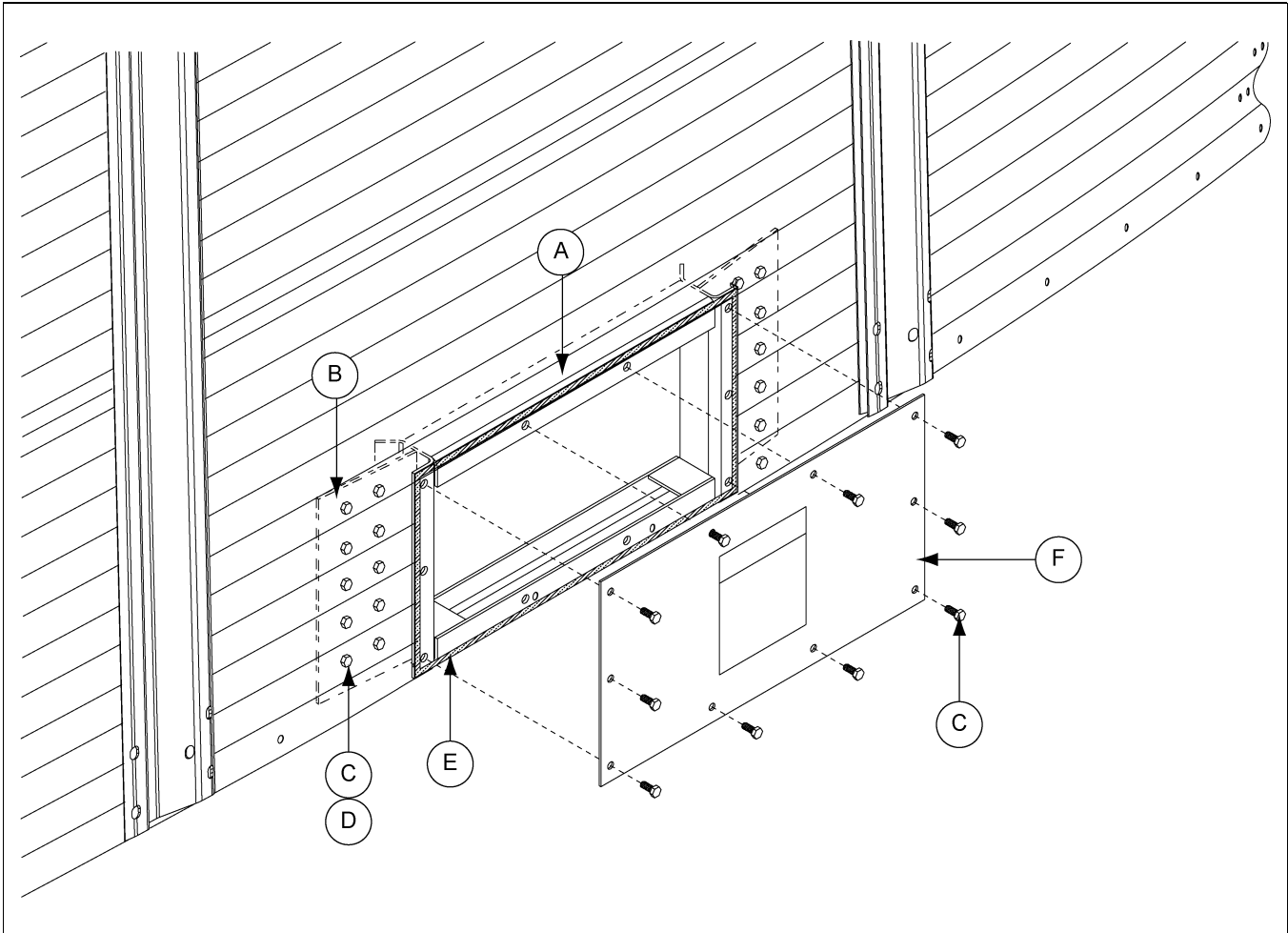


Figure 2

Ref #	Part #	Description
A	MIS-6699	Plenum Door Assembly
B		Attachment Plate
C	S-277	Bolt, HH Bin 5/16"-18 x 1-1/4" YDP Grade 5
D	S-396	Hex Nut 5/16"-18 YDP Grade 2
E	S-2052	Strip, Foam 1/8" TH. x 1/2" Wide Weather in Rolls 75' Per Roll
F		Plenum Door Panel