



## Installations Instructions

1. Construct MIS-7011 (A) and MIS-7010 (B) by using bolts (S-275) (E) and nuts (S-396) (F).

**NOTE:** Do NOT fully tighten bolts.

2. Before you place brackets (C and D) on logo assembly, [See Pages 2 and 3](#) to place brackets.
3. Place sign on brackets.
4. Finish by fully tightening bolts. ([See Figure 1.](#))

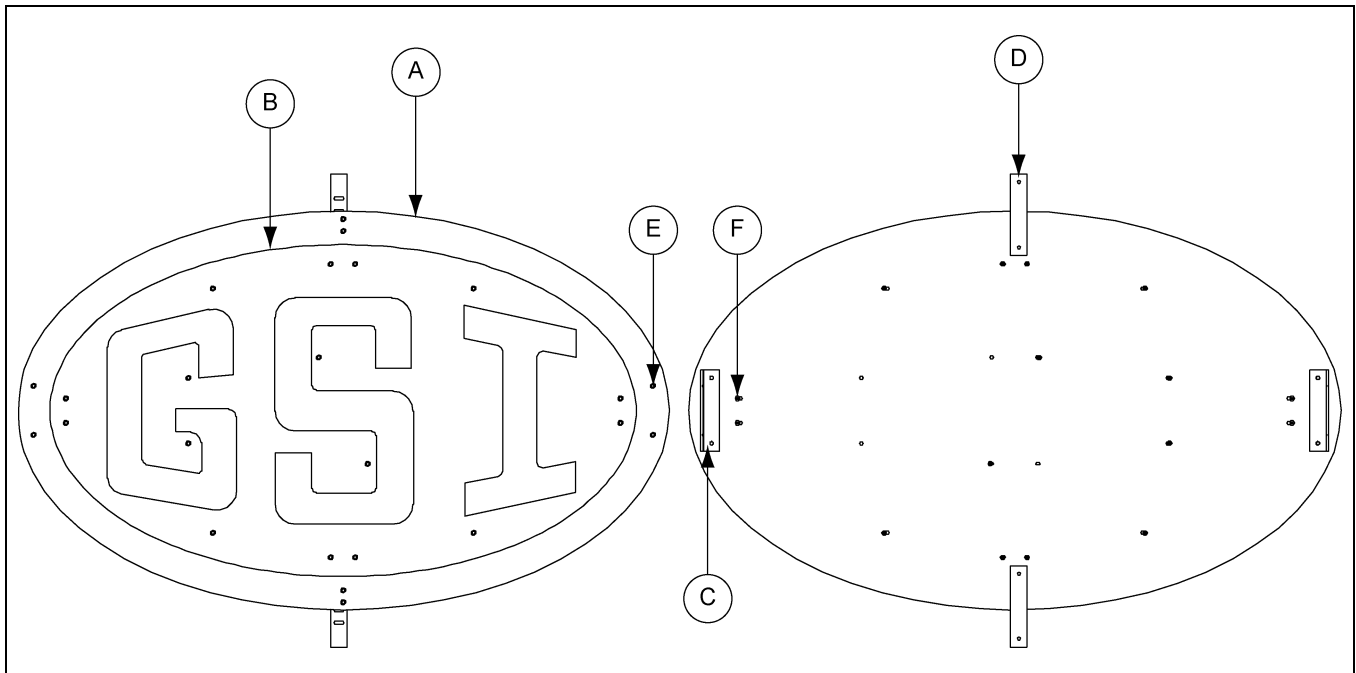


Figure 1

Ref #	Part #	Description	Qty
A	MIS-7011	Large GSI Logo Background	1
B	MIS-7010	Large GSI Logo Front	1
C	MIS-7013	Large GSI Logo Side Bracket	2
D	MIS-7014	Large GSI Logo Side Bracket	2
E	S-275	Bolt, HH Bin 5/16"-18 x 3/4" YDP Grade 5	24
F	S-396	Hex Nut 5/16"-18 YDP Grade 2	24



# Large GSI Logo Field Assembly and Installation Instructions

## For 2 Post 40-Series Bins

1. Place center brackets on a stiffener.
2. Drill holes in the sidewall for the additional brackets. Use sign to locate drill holes. Holes should be approximately 37" from center stiffener.
3. Place additional brackets on the drilled holes of the sidewall. (See Figure 2.)

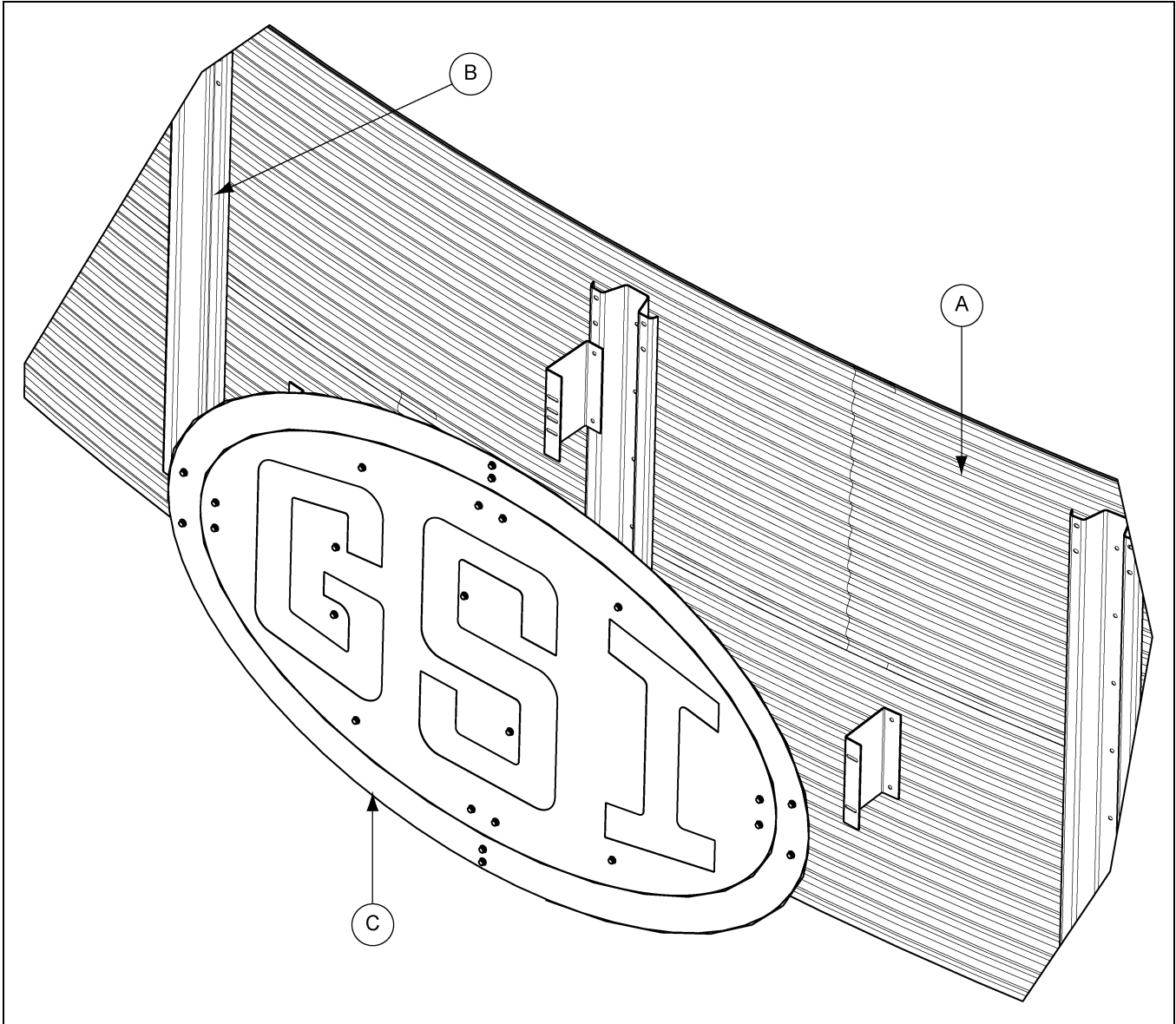


Figure 2 2 Post Sign Stiffener

Ref #	Part #	Description
A	Varies	Sidewall Sheet
B	Varies	Stiffener
C	MIS-7012	Large Decal Assembly

## For 3 Post 40-Series Bins

1. Place center brackets on a stiffener.
2. Place additional brackets on the adjacent stiffeners. *(See Figure 3.)*

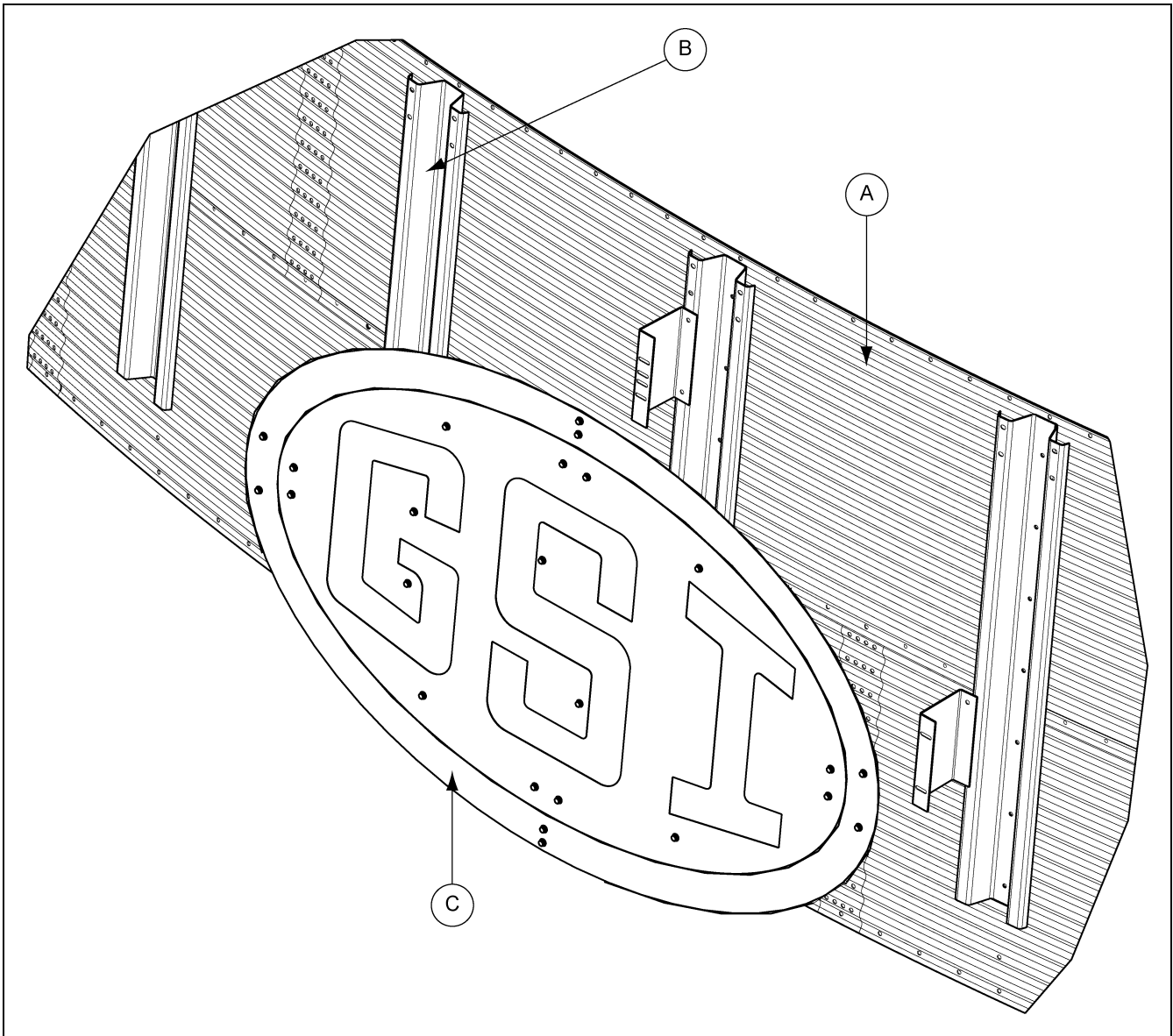


Figure 3 3 Post Sign Stiffener

Ref #	Part #	Description
A	Varies	Sidewall Sheet
B	Varies	Stiffener
C	MIS-7012	Large Decal Assembly