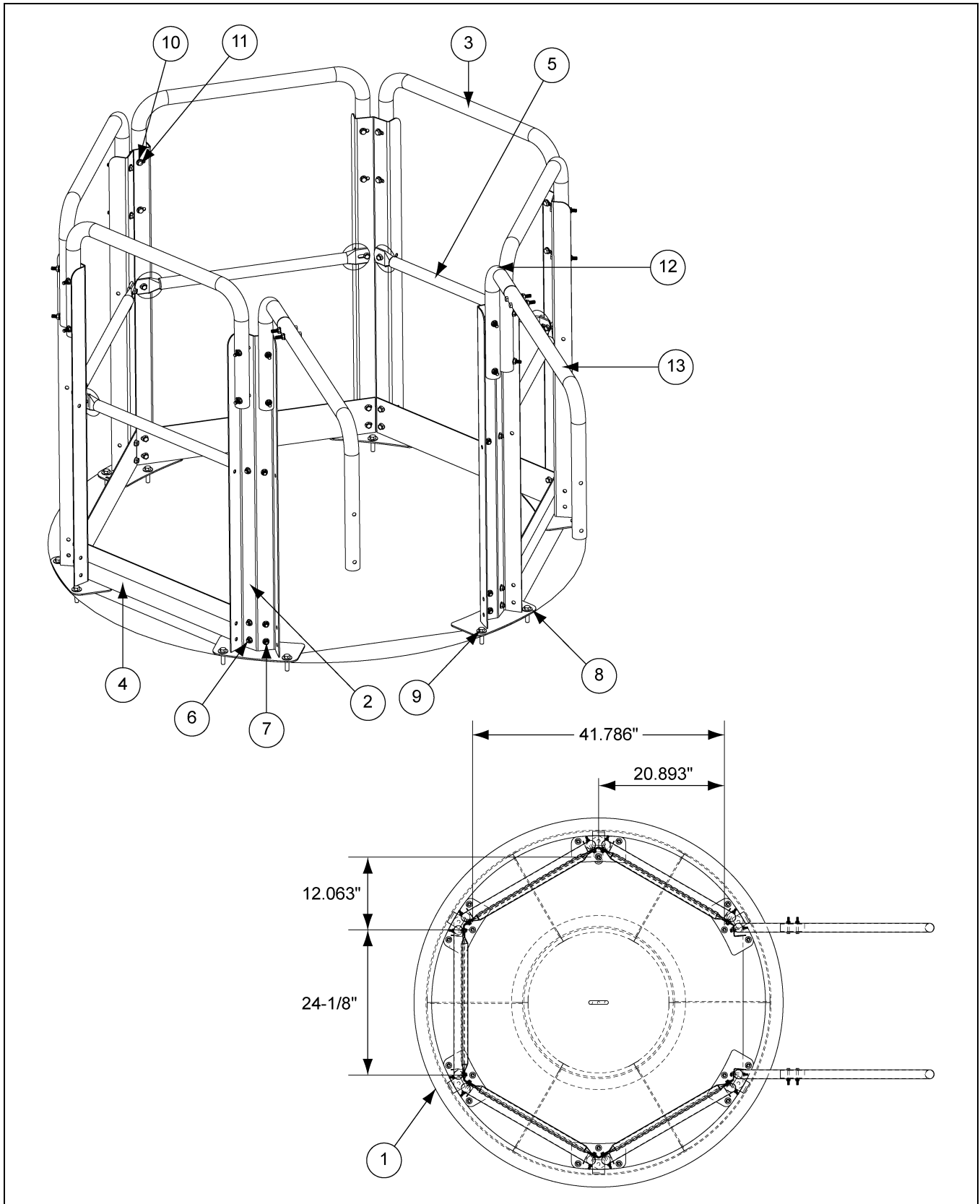




Instructions 61" Flat Top Roof Peak Cap Walk Around Installation



Date: 06-17-13

Printed in the U.S.A.
Copyright © 2013 by GSI Group
www.gsiag.com



PNEG-1933
Page 1 of 2
CN-307064

61" Flat Top Roof Peak Cap Walk Around Installation

Ref #	Part #	Description	Qty
1	CRP-4966	Small - Roof Peak Platform Weldment	1
2	STX-0351	6' Peak Walk Around Handrail Weldment	6
3	STX-0352	6' Peak Platform Handrail - 25-1/2"	5
4	STX-0354	6' Peak Walk Around Kick Plate - 25-1/2"	5
5	LDR-4087	Large Intermediate Handrail Winding Stair	5
5	LDR-4088	Small Intermediate Handrail Winding Stair	5
6	S-6606	Flange Bolt 5/16"-18 x 3/4" ZN Grade 5	36
7	S-3611	Flange Nut 5/16"-18 YDP Grade 2	64
8	S-248	Flat Washer 3/8" 7/16" I.D. 1" O.D. YDP	18
9	S-7515	Bolt, HHCS 3/8"-16 x 1-1/2" Grade 5	18
10	S-1937	Flat Washer 5/16" ZN SAE Grade 2	24
11	S-7076	Bolt, HHCS 5/16"-18 x 2-1/2" ZN Grade 5	28
12	STX-0358	Top Short Handrail, Roof Stair Common	2
13	STX-0359	Top Long Handrail, Roof Stair - 60'	2