



ETL Listed Deluxe Downwind Centrifugal Heater

Owner's Manual

PNEG-1776

Date: 06-23-15



RECOGNIZED
COMPONENT



Intertek



PNEG-1776

Models

CHC; followed by -15 or -30; followed by -NGC, -NGH, -VPC, -VPH, -LPC or -LPH

Check List

1. All wire connections
2. Spark plug gap 0.125
3. Pipe train tightness and gas leaks
4. Flame sensor tight
5. Fuse in place, extra fuse provided
6. Indicator light
7. Pressure gauge
8. Regulator adjusted
9. Shut off valve operates correctly
10. Vapor High-Limit
11. Unit cycles ON to OFF
12. Heat rise even across transition
13. Unit cycles High-Low (High-Low only)
14. All decals and serial number tag
15. Aesthetic appearance
16. Manual

Tester Signature: _____

Date: _____

The equipment shall be installed in accordance with the **Natural Gas and Propane Installation Code, CSA B149.1** and the **Propane Storage and Handling Code, CSA B149.2** or applicable provincial regulations, which should be carefully followed in all cases. Authorities having jurisdiction should be consulted before installations are made.

Contents

Chapter 1 Safety	5
Safety Guidelines	5
Cautionary Symbols Definitions	6
Safety Sign-Off Sheet	11
Chapter 2 Safety Decals	12
Fan/Heater Decals	12
Heater Access Door Decals	13
Control Box Decals	14
Chapter 3 Installation	15
Machine to Earth Ground	15
Previously Installed Units	15
Fuel Connection	15
Liquid Propane Models	16
Propane Vapor Models	16
Natural Gas Models	16
Heater Specifications	17
Standard Heater - Second Heater Installation	18
Electrical Installation (460V Fans)	19
Bin Configuration	20
Plenum Thermostat Mounting	20
Transition High-Limit Installation	21
Chapter 4 Operation	22
Operating Temperature Table	22
Cycling Heater Operation	22
High-Low Heater Operation	23
Adjusting the Vaporizer	24
BTUs for Gauge Pressure (PSI) Reading Propane Models (Approximate)	25
BTUs for Gauge Pressure (PSI) Reading Natural Gas Models (Approximate)	26
Chapter 5 Service	27
Seasonal Inspection and Service	27
Internal (Seat) Leakage Testing for Safety Shut Off Valves	29
Chapter 6 Troubleshooting - Heater	31
Chapter 7 Wiring Diagrams	32
CSA (LP, High-Low) Centrifugal Heater Wiring Diagram	32
Ladder Logic Control for LP, High-Low CSA Centrifugal Heater	33
CSA (LP, Non-High-Low) Centrifugal Heater Wiring Diagram	34
Ladder Logic Control for LP, Non-High-Low CSA Centrifugal Heater	35
CSA (NG, High-Low) Centrifugal Heater Wiring Diagram	36
Ladder Logic Control for NG, High-Low CSA Centrifugal Heater	37
CSA (NG, Non-High-Low) Centrifugal Heater Wiring Diagram	38
Ladder Logic Control for NG, Non-High-Low CSA Centrifugal Heater	39
CSA Heater Operation Flow Chart	40

Table of Contents

Chapter 8 Parts List	41
CSA Centrifugal Heater Control Box Assembly (HF-8210)	42
Downwind Centrifugal LP Pipe Train Components (HF-8374)	44
Downwind Centrifugal LP High-Low Pipe Train Components (HF-8375)	46
Downwind Centrifugal NG Pipe Train Components (HF-8376)	48
Downwind Centrifugal NG High-Low Pipe Train Components (HF-8377)	49
Downwind Centrifugal Propane Vapor Pipe Train Components 15 HP (HF-8319)	50
Downwind Centrifugal Propane Vapor Pipe Train Components 30 HP (HF-8321)	52
Downwind Centrifugal Propane Vapor High-Low Pipe Train Components 15 HP (HF-8320)	54
Downwind Centrifugal Propane Vapor High-Low Pipe Train Components 30 HP (HF-8322)	56
15 HP and 30 HP Centrifugal Housing	58
LP Supply Pipe Train Assembly (HF-8203)	59
Chapter 9 Warranty	61

Safety Guidelines

Safety guidelines shall be followed at all times. This manual is written to help you understand safe operating procedures and problems that can be encountered by the operator and other personnel when using this equipment. Save these safety guidelines for future reference.

As owner or operator, you are responsible for understanding the requirements, hazards, and precautions that exist and to inform others as required. Unqualified persons must stay out of the work area at all times.

Alterations shall not be made to the equipment. Alterations can produce dangerous situations resulting in **SERIOUS INJURY** or **DEATH**.

This equipment shall be installed in accordance with the current installation codes and applicable regulations, which should be carefully followed in all cases. Authorities having jurisdiction shall be consulted before installations are made.

When necessary, you shall consider the installation location relative to electrical, fuel and water utilities.

Personnel operating or working around equipment shall read this manual. This manual shall be delivered with equipment to its owner. Failure to read this manual and its safety instructions is a misuse of the equipment.

Cautionary Symbols Definitions

Cautionary symbols appear in this manual and on product decals. The symbols alert the user of potential safety hazards, prohibited activities and mandatory actions. To help you recognize this information, we use the symbols that are defined below.



This symbol indicates an imminently hazardous situation which, if not avoided, **will result in serious injury or death.**



This symbol indicates a potentially hazardous situation which, if not avoided, **may result in serious injury or death.**



This symbol indicates a potentially hazardous situation which, if not avoided, **may result in minor or moderate injury.**



This symbol is used to address practices not related to personal injury.



This symbol indicates a general hazard.



This symbol indicates a prohibited activity.



This symbol indicates a mandatory action.

ST-0005

Follow Safety Instructions

- Warning: If the information in the manual is not followed exactly, a fire or explosion may result, causing property damage, personal injury or loss of life.
- Carefully read and follow all safety messages in this manual and safety signs on your machine. Keep signs in good condition. Replace missing or damaged safety signs. Replacement safety signs are available from the manufacturer.
- Learn how to operate the machine correctly. Do not operate without instruction.
- If you do not understand any part of this manual or need assistance, contact your dealer.



ST-0025

Use Personal Protective Equipment

- Use appropriate personal protective equipment:

Eye Protection



Head Protection



Hearing Protection



Foot Protection



Hand Protection



Fall Protection



Respiratory Protection



- Wear clothing appropriate to the job.
- Remove all jewelry.
- Tie long hair up and back.

ST-0004

1. Safety

For Your Safety

- If you smell gas:
 1. Do not try to light any appliance.
 2. Extinguish any open flames.
 3. Do not touch any electrical switch.
 4. Immediately call your gas supplier. Follow the gas supplier's instructions.
 5. If you cannot reach your gas supplier, call the fire department.
- The use and storage of gasoline and other flammable vapors and liquids in open containers in the vicinity of this appliance is hazardous.
- Improper installation, adjustment, alteration, service or maintenance can cause property damage, injury or death. Read the installation, operating and maintenance instructions thoroughly before installing or servicing this equipment. Installation and service must be performed by a qualified installer, service agency or the gas supplier.



ST-0024

Maintain Equipment and Work Area

- Understand service procedures before doing work. Keep area clean and dry.
- Do not service equipment while it is operating. Disconnect and lock out power and fuel supply before entering dryer/bin or before performing maintenance.
- Keep your equipment in proper working condition. Replace worn or broken parts immediately.
- Depressurize fuel train before disassembling for service.
- Allow the fan to run for 20 minutes with the burner OFF to purge products of combustion and to cool components before entering dryer/bin.
- Check regularly for any developing gas plumbing leaks. Do not operate the dryer if any gas leak is detected. Shut down and repair before further operation.



ST-0030

Handle and Use Equipment Properly

- Equipment is intended for the use of grain drying only. Any other use is a misuse of this equipment.
- The operating instructions in this manual pertain to the common cereal grains as indicated. When drying any other grain, contact GSI for additional recommendations.
- On LP fired units, set pressure regulator to avoid excessive gas pressure applied to the burner during ignition and operation. Do not exceed maximum recommended drying temperatures.
- Equipment has sharp edges that may cause serious injury. To avoid injury, handle sharp edges with caution and use proper protective clothing and equipment at all times.
- All guards must be in place before and during operation. Images of guards removed in this manual are for illustration purposes only.
- Use caution when working around high-speed fans, gas burners, augers and auxiliary conveyors which can start automatically.
- Keep hands, feet and clothing away from moving parts.
- Do not bypass any safety device or interlock.
- Do not enter the dryer/bin while it is operating.
- Do not operate in an area where combustible material will be drawn into the dryer.



ST-0029

Install and Operate Electrical Equipment Properly

- Electrical controls should be installed by a qualified electrician and must meet the standards set by the National Electric Code, Canadian Electrical Code and all local and state codes.
- Disconnect and lock out all power sources before installing wires/cables or servicing equipment.
- Heater must be interlocked with an appropriately sized fan and a thermostat must be installed for safe operation.



ST-0026

1. Safety

Prevent Roof Damage Due to Vacuum Pressure

- Roof damage can result from excessive vacuum or internal pressure from fans or other air moving systems. The manufacturer does not warrant this type of roof damage.
- Adequate ventilation and/or “makeup air” devices should be provided for all powered air handling systems.
- The manufacturer does not recommend the use of downward flow systems (suction).
- Severe roof damage can result from any blockage of air passages.
- Running fans during high humidity/cold weather conditions can cause air exhaust or intake ports to freeze.



ST-0028

Exercise Caution When Drying Flammable Grains

- Be aware that some grains are highly flammable including but not limited to rapeseed, canola, linseed, sunflower and milo.
- All grain and seed must be whole (minimal cracking or crushing), clean and dust free before drying.
- Avoid dust and chaff from being drawn into the fan and heater.
- To reduce risk of fire, keep the fan, heater, drying plenum and ducts clean at all times.
- In the event of a fire (or suspected fire):
 1. Shut down the entire dryer.
 2. Turn OFF fuel at the tank or supply valve.
 3. Shut off and lock electrical power.
 4. Evacuate the area.
 5. Call the fire department.



ST-0032

2. Safety Decals

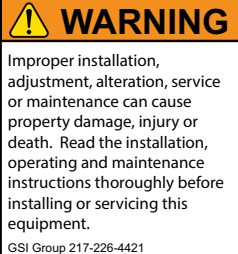

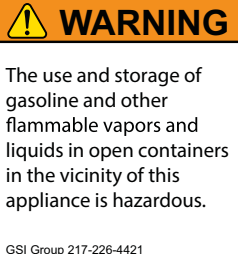

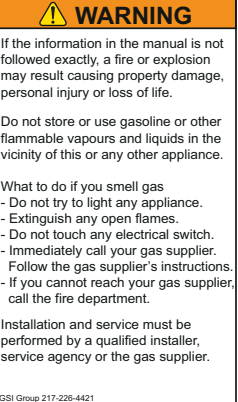

The safety decals on your equipment are safety indicators which must be carefully read and understood by all personnel involved in the installation, operation, service and maintenance of the equipment.

To replace a damaged or missing decal, contact us to receive a free replacement.




GSI Decals

1004 E. Illinois St.
Assumption, IL 62510
Tel: 1-217-226-4421

Fan/Heater Decals

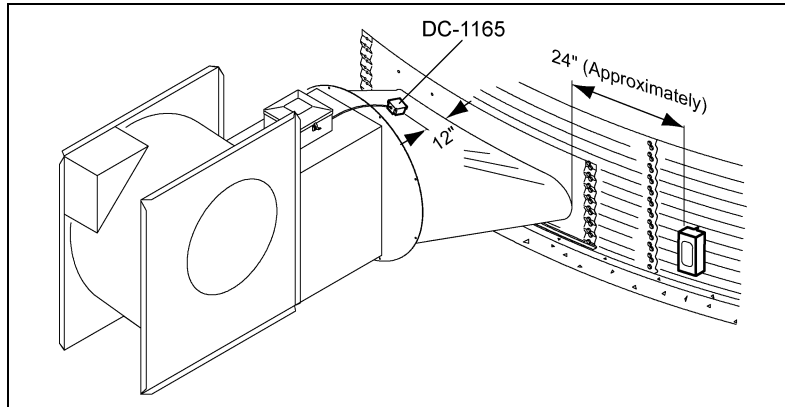
Location	Decal No.	Decals	Description
Fan/Heater unit	DC-2330	 	Read manual warning decal
Fan/Heater unit	DC-2331	 	Flammable vapor warning decal
Fan/Heater unit	DC-2392	 	Flammable vapor warning decal

Heater Access Door Decals

Location	Decal No.	Decals	Description
<p>Above Access Door on Heater Housing</p>	<p>DC-1949</p>	<div style="display: flex; justify-content: space-between;"> <div style="width: 30%; border: 1px solid black; padding: 5px;"> <p>⚠ WARNING</p> <p>Stay clear of rotating blade. Blade could start automatically. Can cause serious injury. Disconnect power before servicing.</p> <p><small>GSI Group Inc. 217-226-4421</small></p> </div> <div style="width: 30%; text-align: center;">  </div> <div style="width: 30%; border: 1px solid black; padding: 5px;"> <p>⚠ AVERTISSEMENT</p> <p>Restez éloigné de la lame tournante. La lame peut se mettre en marche automatiquement. Peut causer de sérieuses blessures. Vérifiez le courant avant l'entretien.</p> <p><small>DC-1949</small></p> </div> </div>	<p>Warning Rotating Blade, CE, CSA Harmonized</p>
<p>Above Access Door on Heater Housing</p>	<p>DC-1959</p>	<div style="display: flex; justify-content: space-between;"> <div style="width: 30%; border: 1px solid black; padding: 5px;"> <p>⚠ WARNING</p> <p>Flame and pressure beyond door can cause serious injury. Do not operate with service door removed. Keep head and hands clear.</p> <p><small>GSI Group Inc. 217-226-4421</small></p> </div> <div style="width: 30%; text-align: center;">  </div> <div style="width: 30%; border: 1px solid black; padding: 5px;"> <p>⚠ AVERTISSEMENT</p> <p>La flamme et la pression au-delà de la porte peuvent causer des dommages sérieux. Ne pas faire fonctionner si la porte de service est enlevée. Gardez les mains et la tête éloignés.</p> <p><small>DC-1959</small></p> </div> </div>	<p>Warning Fire (Small), CE, CSA Harmonized</p>
<p>Above Access Door on Heater Housing</p>	<p>DC-1971</p>	<div style="display: flex; justify-content: space-between;"> <div style="width: 30%; border: 1px solid black; padding: 5px;"> <p>AIRFLOW →</p> <p>← AIRFLOW</p> </div> <div style="width: 30%; text-align: center;">  </div> <div style="width: 30%; border: 1px solid black; padding: 5px;"> <p>→ CIRCULATION D'AIR</p> <p>CIRCULATION D'AIR ←</p> <p><small>DC-1971</small></p> </div> </div>	<p>Air Flow, CE, CSA Harmonized</p>

2. Safety Decals

Control Box Decals



Location	Decal No.	Decals	Description
Control Box	DC-1948		Decal, Danger High-Voltage (LG), CE, CSA Harmonized
Control Box	DC-535		Decal, 24"-28" Vaporizer Adjustment
Control Box	DC-1165		Decal, Danger Transition High-Limit
Control Box	DC-1702		Decal, Caution Use TSTAT with Heater

Machine to Earth Ground

It is very important that a machine to earth ground rod be installed at the fan. This is true even if there is a ground at the pole 15' away. This ground needs to be as close to the fan as possible, but no more than 8' away. The ground rod should be connected to the fan control panel with at least a #6 solid bare copper ground wire or in accordance with local requirements. The machine to earth ground provides additional safety if there is a short. It also provides the grounding necessary for long life and operation of the solid state circuit boards used on control circuits and the electronic ignition systems.

Previously Installed Units

It is recommended that previously installed units be checked to see that a machine to earth ground has been installed by an electrician.

Standard electrical safety practices and codes should be used when working with a heater. Refer to the National Electric Code Standard Handbook by the National Fire Protection Association. *A qualified electrician should make all wiring installations.*



Always disconnect and lock out power before working on or around heater.

Fuel Connection

IMPORTANT: *Do not use propane tanks that have previously been used for ammonia unless they have been purged according to procedures of the National LP association.*

Fuel supply system must comply with local codes for LP gas installation.

Dryer/heater and individual shut off valve must be disconnected from the gas supply piping system during any pressure testing of the system at test pressures in excess of 1/2 PSI. The dryer/heater must be isolated from the gas supply piping by closing its individual manual shut off valve during any pressure testing of the gas supply piping system at test pressures equal to or less than 1/2 PSI.

Refer to the dryer/heater rating plate for determining the minimum gas supply pressure for obtaining the maximum gas capacity for which this dryer is specified.

The equipment shall be installed in accordance with the Natural Gas and Propane Installation Code, CSA B149.1 and the Propane Storage and Handling Code, CSA B149.2 or applicable provincial regulations, which should be carefully followed in all cases. Authorities having jurisdiction should be consulted before installations are made. Bleeds and vents that require venting by authorities having jurisdiction shall be vented away from any sources of ignition by the gas piping installer. The installer shall also locate a manual emergency shut off valve in an appropriate location that allows access to the valve to shut off the fuel to the dryer in case of a fire or explosion at the dryer.

3. Installation

Liquid Propane Models

1. LP models are designed to run on liquid propane with liquid draw from the propane tank. Avoid using propane supply tanks that have been used for vapor draw for long periods of time. When using liquid draw systems any moisture that may be present in tank or lines may freeze when system is used in cold weather. To avoid this situation, purge the system with methanol.
2. Run proper size line ([See Specifications on Page 17](#)) to liquid pipe train on heater. Have a qualified gas service person inspect installation to be sure that everything is installed according to local codes and ordinances.
3. After installation is complete check all connections for leaks with liquid detergent or comparable. Wear rubber gloves and eye protection. Avoid contact with liquid propane. **DO NOT USE FLAME FOR LEAK TESTING.**

Propane Vapor Models

1. Propane vapor models are designed to run directly off of a supply tank or from a separate external vaporizer.
2. Run proper size line ([See Specifications on Page 17](#)) to pipe train on heater. Have a qualified gas service person inspect installation to be sure that everything is installed according to local codes and ordinances.
3. After installation is complete check all connections for leaks. **DO NOT USE FLAME FOR LEAK TESTING.**

Natural Gas Models

1. Natural gas models are designed to run directly off of a supply tank or from a separate external vaporizer.
2. Run proper size line ([See Specifications on Page 17](#)) to pipe train on heater. Have a qualified gas service person inspect installation to be sure everything is installed according to local codes and ordinances.
3. After installation is complete check all connections for leaks. **DO NOT USE FLAME FOR LEAK TESTING.**

Heater Specifications

		15 HP	30 HP
All Models	Inside Height	30-1/4"	33-1/4"
	Inside Width	19-1/2"	21-3/4"
	Length	33"	33"
	High Temp BTU Rating	2,300,000	4,000,000
Liquid Propane	Maximum Fuel Flow (GPH)	26	44
	Orifice	17/64	21/64
	Operating Pressure Range	1-15	1-15
	Minimum Line Size	1/2"	1/2"
Natural Gas	Maximum Fuel Flow (CFH)	2212	3173
	Orifice	21/64	7/16
	Operating Pressure Range	1-7	1-7
	Minimum Line Size	1"	1"

3. Installation

Standard Heater - Second Heater Installation

Two (2) standard heaters may be connected to one grain drying system and wired so they cycle together. One of the heaters should have a thermostat connected to it as per the installation instructions. That heater will be referred to as the primary. The other heater (without the thermostat) will be referred to as the secondary.

1. Install relay base (TD-100283) in primary heater control box.
2. Connect wire between terminal 13 on relay base to terminal 5 on terminal strip in primary heater.
3. Connect wire between terminal 14 on relay base to terminal 6 on terminal strip in primary heater.
4. Run two (2) wires (18 gauge) between primary and secondary heater.
5. Connect wires to terminals 5 and 9 (points A and B) on relay base in primary heater.
6. Connect wire from terminal 9 in primary to (point F) in secondary unit.
7. Connect wire from terminal 5 in primary to (point G) in secondary unit.
8. Install relay (TD-100282) in relay base.

Follow these additional steps for HIGH-LOW units.

1. Install relay base (TD-100283) in master heater control box.
2. Connect wire between terminal 13 on relay base to green wire from HIGH-LOW thermostat in master unit. Do not disconnect other wires from green wire 3. Connect wire between terminal 14 on relay base to terminal 14 on other relay base in master heater.
3. Run two (2) wires (18 gauge) between master and slave heater.
4. Connect wires to terminals 5 and 9 (points A and B) on relay base in master heater.
5. Connect wire from terminal 9 in master to terminal 6 (point G) in slave unit.
6. Connect wire from terminal 5 in master to cycle solenoid and red light in slave unit. Do not connect wire to side of cycle solenoid and light that are connected to terminal.

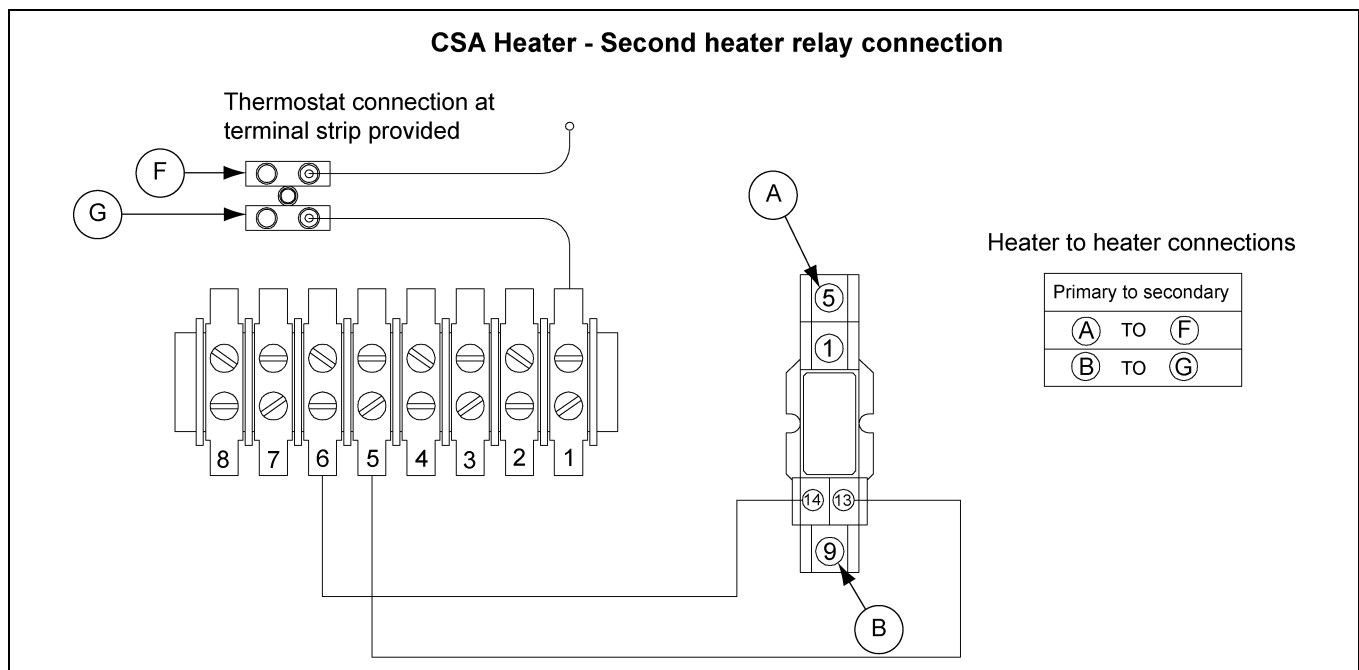


Figure 3A CSA Heater - Second Heater Relay Connection

Electrical Installation (460V Fans)

1. Connect power cord to fan control box.
2. Make field connections of wires in fan box as shown in *Figure 3B*. 110V power supply or 0.5 KVA 460V to 110V transformer must be used to supply power for heater.
3. Connect deluxe thermostat control (optional) in heater box as shown in *Figure 3B*.

IMPORTANT: Heater must be interlocked with fan for safe operation.

IMPORTANT: Thermostat must be installed for safe operation.

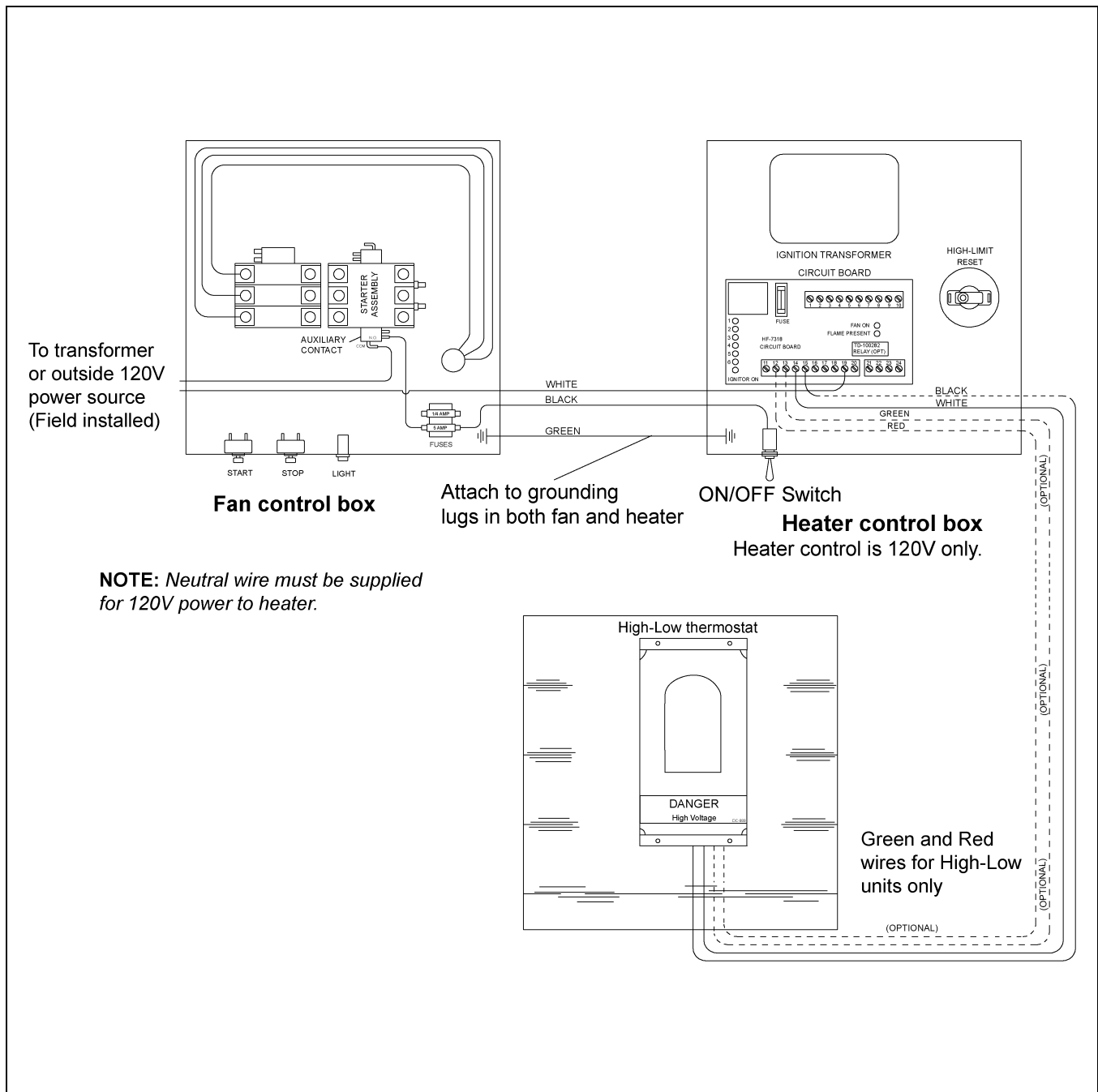


Figure 3B 460 Volt Fan Control Box

Bin Configuration

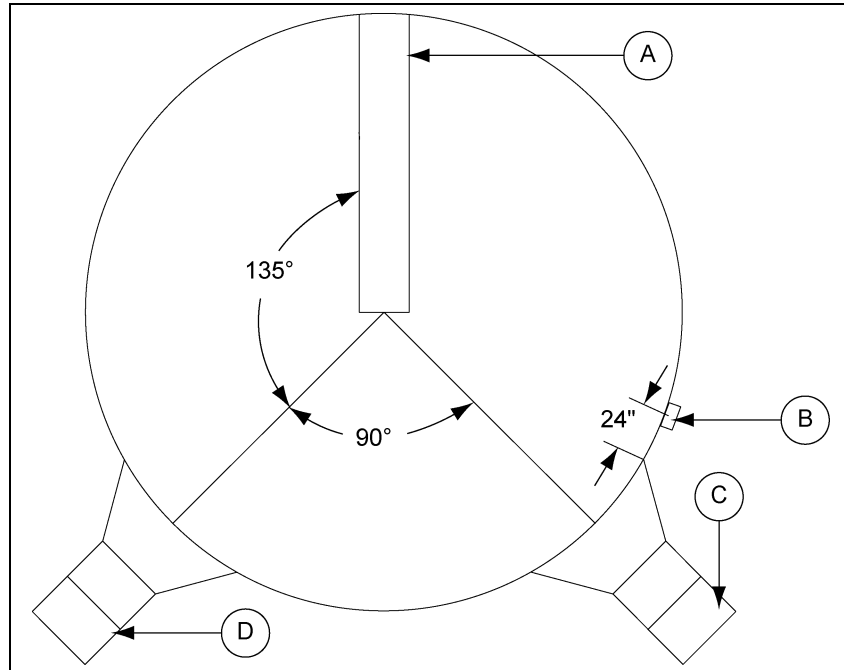


Figure 3C

Ref #	Description
A	Unload Auger
B	Plenum Thermostat
C	Master Heater
D	Slave Heater

IMPORTANT: When mounting two (2) heaters on a bin it is imperative that they be situated as shown in [Figure 3C](#). Plenum thermostat (B) must be to the right of master heater (C) and master heater must be to the right of slave heater (D).

Plenum Thermostat Mounting

The plenum thermostat must be ordered separately from the heater unit.

1. Follow installation instructions provided with the thermostat assembly.
2. Position the housing so that the bolt flanges are vertical and the cord exits the housing from the bottom. Mark position.
3. Use self-drilling screws to mount the housing to the bin sidewall. **DO NOT TIGHTEN COMPLETELY.** Insert corrugation seal into gap between housing and sidewall. Tighten screws.
4. Caulk between the housing and the sidewall to seal.



Thermostat must be installed to operate as plenum high-limit safety.

Heater control device (thermostat or humidistat) is required for heater warranty on all heaters.

Transition High-Limit Installation

1. Mark location on transition one foot up from the bottom (entrance collar) and centered in the transition.
2. Drill or knock out 7/8" diameter hole on marked location.
3. Install transition high-limit using supplied self-drilling screws.

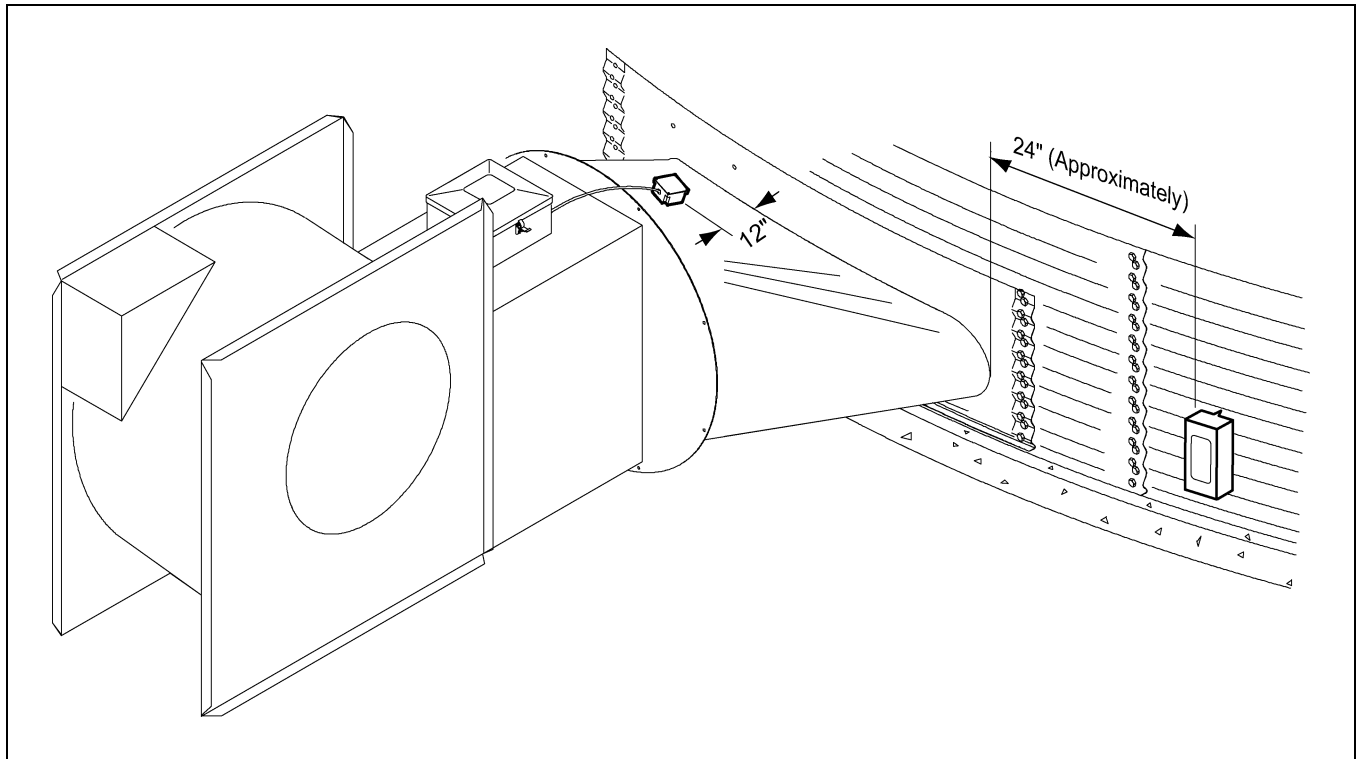


Figure 3D *The transition connecting the heater to the bin with the plenum thermostat in place.*

4. Operation

Operating Temperature Table

IMPORTANT: *Do not exceed plenum temperatures listed in table.*

	Low Temperature Batch	High Temperature Batch Dry No Stirring	High Temperature with Stirring	Continuous Flow (Recirculating)
Corn	5°-20° Above Ambient Temperature	120°	140°	160°
Rice	5°-10° Above Ambient Temperature	100°	100°	Not Recommended
Beans and Wheat	5°-20° Above Ambient Temperature	110°	120°	Not Recommended

This table is not intended as a drying guide. It should be used as a reference for setting maximum plenum temperature for safe operation.

Cycling Heater Operation

1. Thermostat must be wired into heater control box for heater to operate.
2. Open all manual shut off valves to heater unit.
3. Start fan. This will supply power to heater.
4. Turn thermostat dial to its highest setting.
5. Turn toggle switch ON.
6. Heater should now be lit. If not check to see that all gas is ON.
7. Set thermostat to desired setting. (See deluxe thermostat manual for adjusting deluxe thermostat control.)
8. Gas pressure should be adjusted so burner is on 75% of the time.
9. Watch as burner goes through a few cycles, to be sure that it is operating properly.

High-Low Heater Operation

1. High-limit and cycling thermostat must be wired into heater control box for heater to operate.
2. Open all manual shut off valves to heater unit.
3. Start fan. This will supply power to heater.
4. Turn thermostat dial to its highest setting.
5. Turn toggle switch ON. Both indicator lights should illuminate indicating power to the control circuit.
6. Heater should now be lit. If not check to see that all gas is ON.
7. Loosen the retaining nut (C) holding bypass valve screw (B) in place. Open the bypass valve (A) all the way.
8. Turn thermostat dial back slowly until heater cycles to low flame.
9. Adjust bypass valve (A) so that low flame pressure is at desired setting. (As low as possible.)
10. Turn thermostat dial to desired setting and wait for bin plenum to come up to temperature. Heater should cycle to low flame after a few minutes.
11. If heater does not cycle to low flame increase high flame gas pressure by adjusting the regulator.
12. High flame should be adjusted so the heater cycles at least once a minute. Low flame should be adjusted so there is enough flame for unit to keep operating.
13. Watch as burner goes through a few cycles, to be sure that it is operating properly back to high flame.

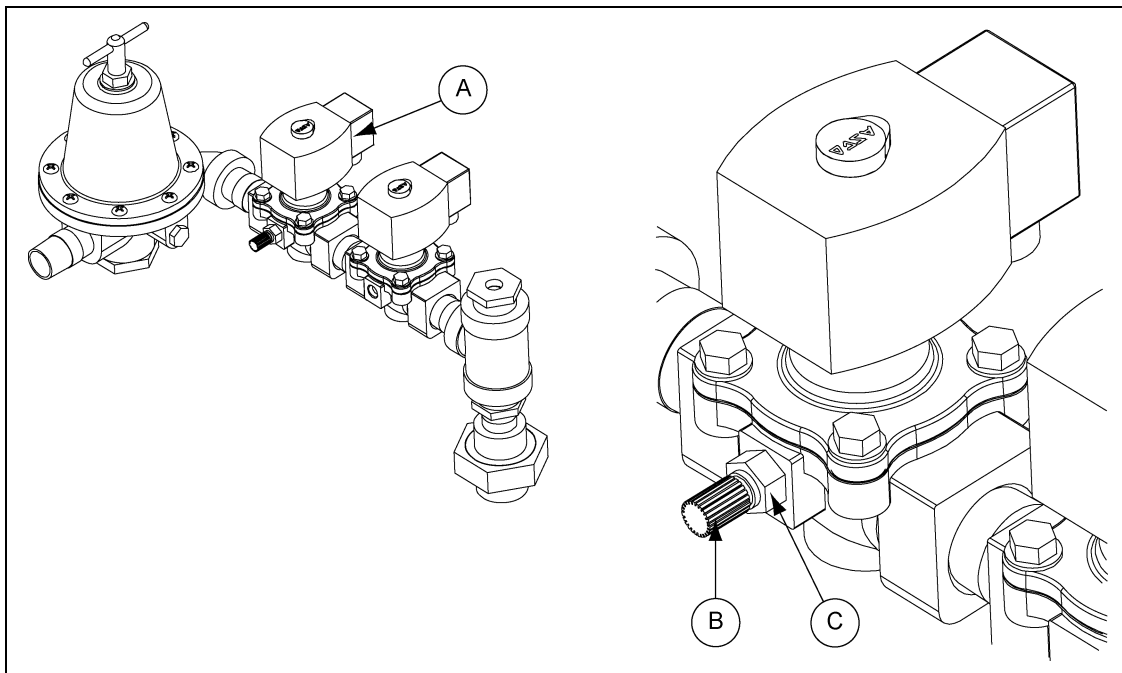


Figure 4A

Ref #	Description
A	Bypass Valve
B	Bypass Valve Screw
C	Retaining Nut

4. Operation

Adjusting the Vaporizer

1. Vaporizer should be adjusted so the vapor pipe train runs warm to the touch (100°-120°F).
2. Loosen 5/16" pivot bolts (A) on adjustment bracket.
3. Tilt vaporizer away from burner to cool. Tilt toward burner to heat. Vaporizer may be raised or lowered for vertical adjustments.
4. Tighten 5/16" pivot bolts to fix vaporizer position.

IMPORTANT: Only move vaporizer 1" at a time. Allow heater to run a few minutes for temperature to equalize.

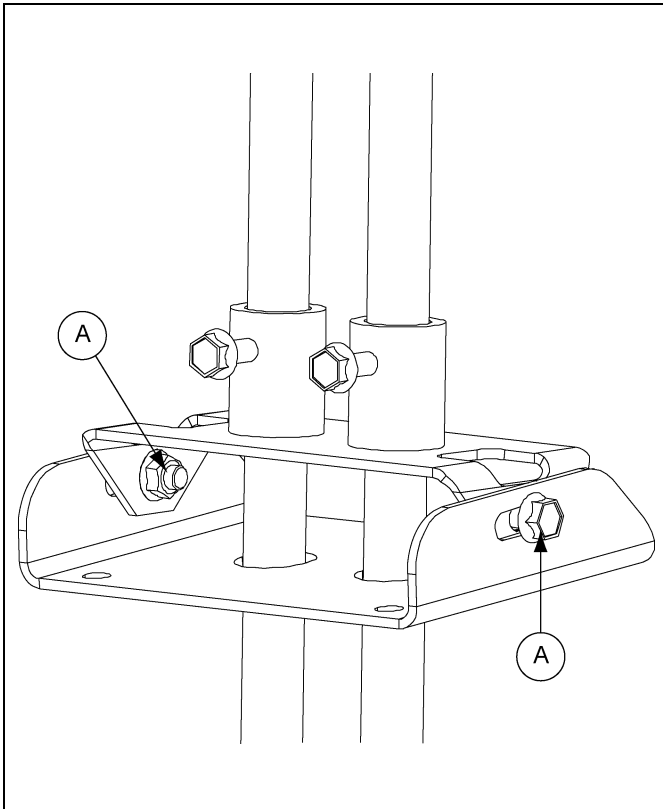


Figure 4B

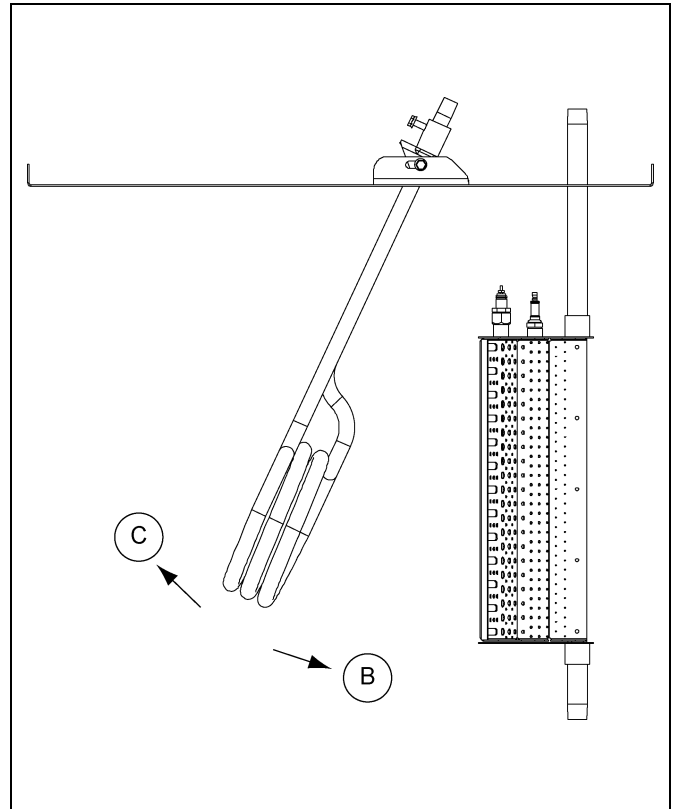


Figure 4C

Ref #	Description
A	Pivot Bolts
B	Warmer
C	Cooler

Vaporizer adjustment: Away from burner to cool. Toward burner to heat.

BTUs for Gauge Pressure (PSI) Reading Propane Models (Approximate)

High Temperature

Diameter	Operating Pressure (PSI)									
	2	4	6	8	10	12	14	16	18	20
15 HP	1,315,765	1,797,071	2,206,654	2,557,392	2,861,118	3,128,624	3,369,657	3,592,923	3,806,082	4,015,753
30 HP	2,007,794	2,742,244	3,367,248	3,902,456	4,365,927	4,774,128	5,141,934	5,482,626	5,807,897	6,127,845

Gauge Pressure (PSI) Reading to Maintain Temp (Approximate)

Diameter	Static Pressure	Heat Rise (F)						
		60	80	100	120	140	160	180
15 HP	2"	2	3	4	6	8	10	13
	4"	1	2	3	5	6	8	10
	6"	1	1	2	3	5	6	7
30 HP	2"	2	3	5	6	9	11	14
	4"	1	3	4	6	7	9	12
	6"	1	2	3	5	6	8	10
	8"	1	2	3	4	5	7	8

4. Operation

BTUs for Gauge Pressure (PSI) Reading Natural Gas Models (Approximate)

High Temperature

Operating Pressure (PSI)										
Diameter	1	2	3	4	5	6	7	8	9	10
15 HP	1,006,116	1,268,133	1,509,530	1,732,015	1,937,235	2,126,771	2,302,144	2,464,811	2,616,167	2,757,542
30 HP	1,788,650	2,254,458	2,683,609	3,079,138	3,443,973	3,780,926	4,092,700	4,381,886	4,650,963	4,902,297

Gauge Pressure (PSI) Reading to Maintain Temp (Approximate)

Diameter	Static Pressure	Heat Rise (F)						
		60	80	100	120	140	160	180
15 HP	2"	2	3	5	7	9	11	14
	4"	1	2	4	5	7	9	11
	6"	1	2	3	4	5	6	8
30 HP	2"	1	2	4	5	7	9	11
	4"	1	2	3	5	6	8	10
	6"	1	2	3	4	5	6	8
	8"	1	1	2	3	4	6	7

Seasonal Inspection and Service

All parts are made of weather-proof construction and are designed to require a minimum of service; however, we recommend the following items be checked and serviced, as described, before the unit is used each season. Replace any damaged or questionable parts.

THESE CHECKS WILL HELP ELIMINATE POSSIBLE MINOR FAULTS AND ASSURE DEPENDABLE OPERATION OF THE EQUIPMENT WHEN IT IS NEEDED.

1. Check fan and service it as described within the fan installation and operation manual.
2. Shut off electrical power. Remove heater control box cover and inspect for moisture, rodent damage or accumulated foreign material remove any foreign material present. **INSPECT AND TIGHTEN ALL LOOSE TERMINAL CONNECTIONS.** Replace any damaged or deteriorated wiring.
3. Shut off fuel and remove and clean gas line strainer.
4. Remove the orifice from the burner venturi and inspect for obstructions. Also, inspect and clean out the burner venturi and the ports within the burner cup. Blow out with compressed air or disassemble and thoroughly clean these parts. Foreign material in the venturi or burner cup will impair heater operation and cannot be expected to burn out when the heater is started.
5. Inspect and clean the electrodes on the ignitor plug. Use an ignition point file to remove carbon and rust between the electrode surfaces.
6. Inspect flame rod and ignitor plug wires for possible damage or poor connections.
7. After completing all checks and performing any necessary service, check the control device, as described under the following appropriate heading.

Heaters Equipped with a Humidistat Control

Temporarily remove humidistat control from air plenum chamber of bin. Rotate the knob through the 20% to 80% humidity range. The switch within the humidistat should produce a small “click” when the lever passes the point of prevailing humidity.

NOTE: *For additional information, refer to instructions that accompanied the humidistat.*

Heaters Equipped with a Thermostat Control

Slowly rotate the thermostat dial through its temperature range. The switch within the thermostat should produce a small “click” when the dial passes the point of prevailing temperature. Set the dial to a setting at least 10°F *above* the prevailing temperature and proceed to the next step.

8. Test operate the fan and heater. Make sure to follow operating instructions, **INCLUDING.** After fan starts operating and the heater purge interval has elapsed (approximately 20 seconds delay), the heater should come ON and start operating.
9. Slowly change the humidistat or thermostat setting and cycle the heater OFF and ON to make sure the device is controlling the heater and is operating properly.

Seasonal Inspection and Service (Continued)

10. **LP MODELS ONLY** - After heater has been operating for some time and temperatures have stabilized, check temperature of the gas line between outlet side of vaporizer and the gas regulator.

If gas line becomes “frosted” with an accumulation of ice build-up, adjust vaporizer slightly closer to the flame. If line reaches a high temperature where it is hot to the touch, adjust vaporizer further away from the flame.

NOTE: *If gas temperature exceeds approximately 220°F, the vapor high-limit thermostat will open the electrical circuit to the liquid gas solenoid valve and shut off fuel flow to stop the heater. This condition can be verified by temporarily connecting a jumper wire across the connections of the high-limit and observing that the burner re-lights. If high-limit vapor thermostat causes the burner to stop operating, it may also cause the burner to go into a safety lock out condition. Refer to heater operating instructions for restarting procedure.*

11. Vaporizers should be inspected and serviced prior to each season of operation, including the following:
- Carefully inspect the surfaces of the vaporizer coil and the inlet and vapor outlet pipes for evidence of severe corrosion or abrasion of metal which could cause subsequent leakage of liquid propane, gross overheating and fire hazard.
 - Insecure mounting of either the vaporizer or burner, due to loosened bolts, can cause interference between burner vanes and vaporizer pipes, with the natural vibration of the unit causing erosion of the pipe metal at the point of maintained contact.
 - If there has been significant abrasion of the steel vaporizer pipe, it must be replaced.
12. When satisfied that heater is operating properly, make sure to reset the control device to the proper setting and restore the fan and heater for normal type operation.

IMPORTANT: *Use care when troubleshooting this product. Limit exposure to potential hazards by following all recommended safety practices.*

Internal (Seat) Leakage Testing for Safety Shut Off Valves

NOTE: These instructions were adapted from ASCO valve installation and maintenance instructions and are used with permission. Please refer to the specific installation and maintenance instructions for your specific ASCO valve model for additional details.

1. Shut off both the upstream and downstream manual shut off valves. The downstream manual shut off valve should remain closed during the entire test procedure.
2. Operate the safety shut off valve(s) through five (5) cycles. Listen carefully for the solenoid coil to click indicating proper operation.
3. Open the upstream manual shut off valve. Program the control system to energize and maintain the valve in the open (energized) position. Check all valve and piping connections for external leaks with a rich soap and water solution.
4. Shut off the upstream manual shut off valve and de-energize the safety shut off valve (A). Remove the plug from the leak test tap (B) or downstream pressure tap (F) in the valve body. Connect leak test equipment with the test petcock (G) in the closed position. (See Figure 5A.)

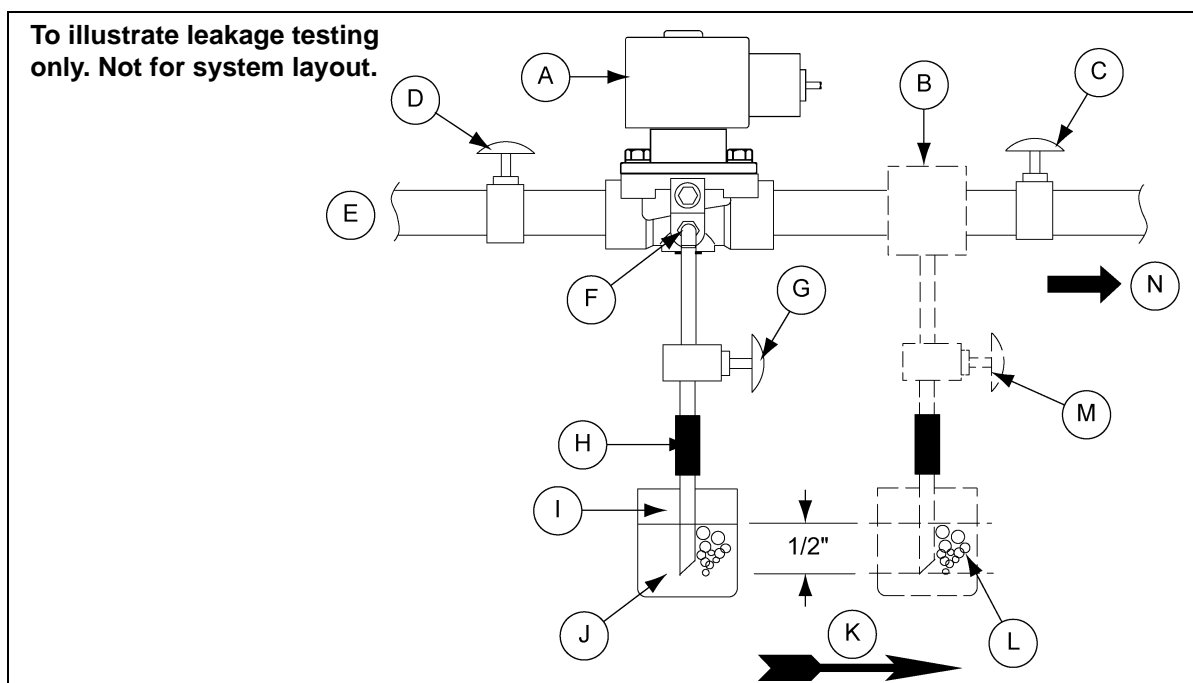


Figure 5A Testing for Internal Seat Leakage

Ref #	Description
A	Safety Shut Off Valve
B	Leak Test Tap
C	Downstream Manual Gas Cock
D	Upstream Manual Gas Cock
E	Gas Supply
F	Downstream Pressure Tap
G	Test Petcock

Ref #	Description
H	1/4" Flex Tubing
I	1/4" Aluminum or Copper Pilot Tubing
J	45° Cut
K	Flow
L	Glass Jar Filled with Water
M	External Leak Text Tap Option
N	To Burner

Internal (Seat) Leakage Testing for Safety Shut Off Valves (Continued)



Some gas will be released to the atmosphere when the pipe plug is removed.

5. Open the upstream manual shut off valve. Program the control system to energize the valve to the full open position, then immediately de-energize it to seat the valve operationally.
6. Immerse the 1/4" leak test tubing vertically into a jar of water to a depth of about 1/2". Slowly open the test petcock (G). Bubbles may appear in the water as the pressure equalizes.
7. After the rate of bubbles coming through the water stabilizes, count the number of bubbles appearing in a 10 seconds period. The allowable leakage in 10 seconds for an orifice diameter of 1" (25.4 mm) or less is six (6) bubbles (3 cc/min). If leakage exceeds this rate, please replace valve.

NOTE: *The leakage rate above recognizes that some wear and contamination from use can result in a slight amount of leakage. The allowable leakage rate is well within the leakage limits as recognized by applicable approval agencies.*

8. Close the upstream manual shut off valve and the test petcock (G). Then remove the test equipment. Apply a small amount of Loctite Corporation's PST Pipe Sealant 567 (or equivalent) to the pipe plug threads. Re-install the pipe plug and tighten securely.



Some gas will be released to the atmosphere when the test equipment is removed.

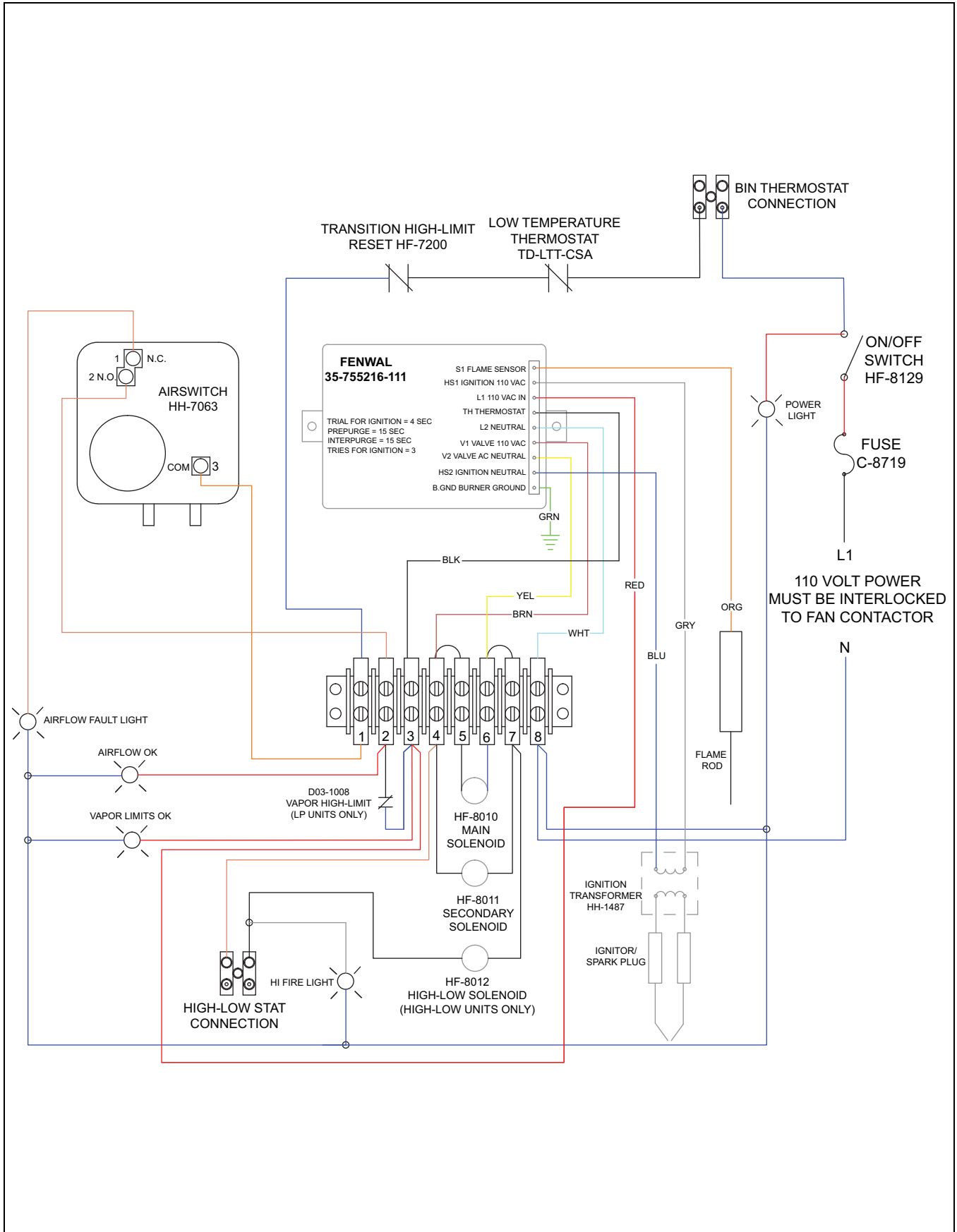
9. Turn ON the gas supply (E) at the upstream manual shut off valve and energize the safety shut off valve.
10. Open the upstream manual shut off valve. Program the control system to energize and maintain the valve in the open (energized) position. Check the 1/8" NPT pipe plug connection for external leaks with a rich soap and water solution.
11. De-energize the valve. Open the downstream manual gas shut off valve.
12. Restore the system to normal operation.

6. Troubleshooting - Heater

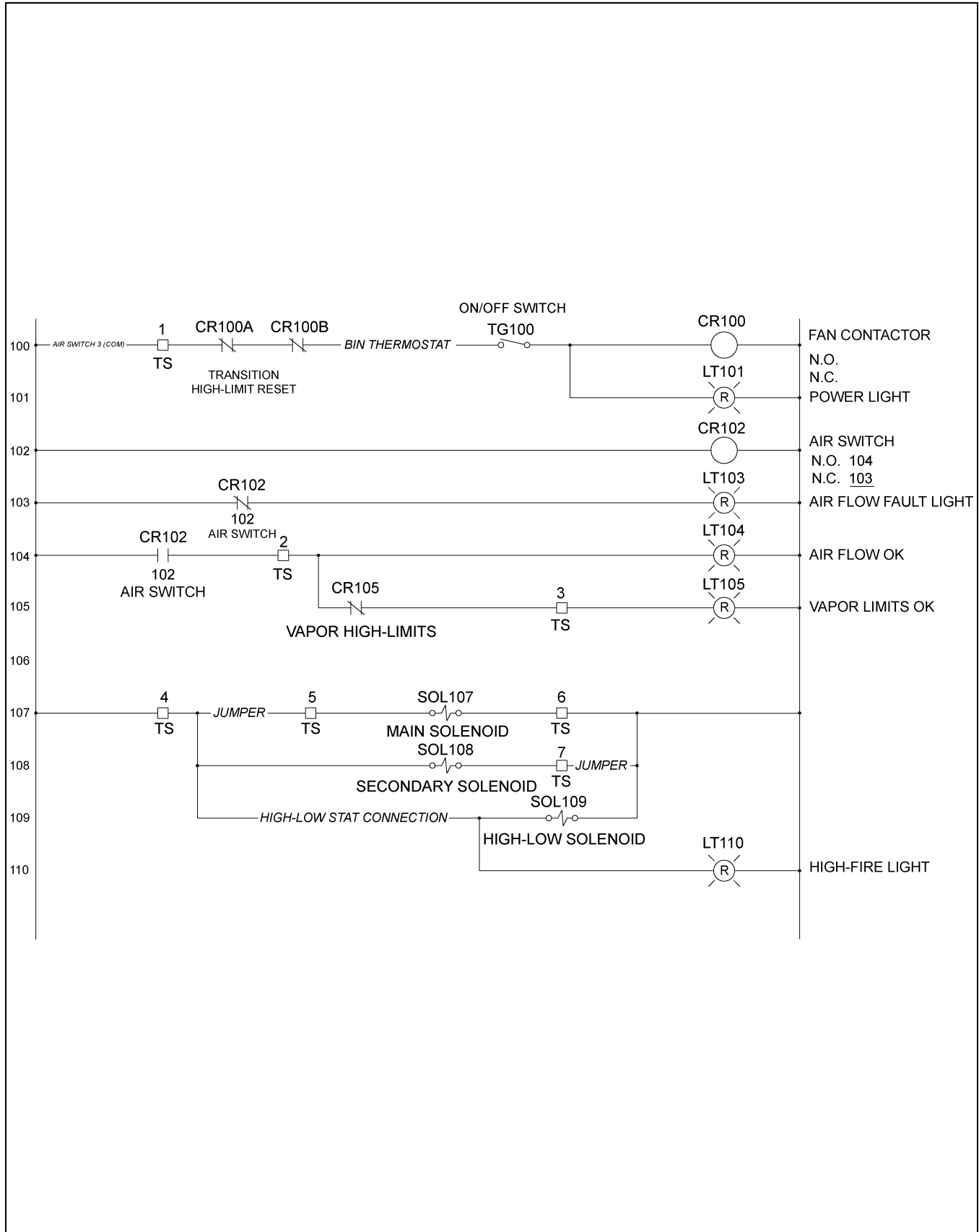
Trouble	Probable Cause	Check-Out Procedure
Burner will not fire. No gas pressure on gauge. No ignition spark.	1. Heater not wired.	1. Visually check fan control box to see if wires are connected.
	2. Fan not running.	2. Fan contactor must be energized for heater to run.
	3. Blown fuse.	3. Visually check fuse.
	4. Bad ON/OFF switch.	4. Check ON/OFF switch contact block for proper installation and continuity. Check for power on terminals 1 and 8.
	5. Housing high-limit switch.	5. Reset switch. Check for power on terminals 1 and 8.
	6. Thermostat open.	6. Plenum temperature above set point temperature or open circuit.
	7. Flame probe open.	7. Remove wires from flame probe and check with ohm meter. Probe should be closed when cold.
Burner will not fire. No gas pressure on gauge. Constant ignition spark.	1. Gas supply.	1. Make sure all valves are open to heater and gas tank is not empty.
Burner will not fire. Gas pressure on gauge. No ignition spark.	1. Loose wire.	1. Check for power on terminals 4 and 7. Look for loose wires or incorrect wiring.
	2. Ignitor/spark plug.	2. Turn gas OFF to heater. Check gap on ignitor. Check porcelain for any sign of cracks. Remove plug wire from spark plug/ignitor. Carefully holding wire by insulation. Try to get an arc between end of wire and heater housing (or other wire using two (2) pole transformer).
	3. Ignition transformer/wire.	3. Turn gas OFF to heater. If no spark present after checking ignitor, remove wire from ignition transformer. Check for spark at ignition transformer with an insulated screwdriver. Spark should jump a minimum 1/4" gap. Replace transformer if no spark is established, replace the ignition wires.
Burner will not fire or fires for 30 second and locks out. Gas pressure on gauge. Spark is ON.	1. Plugged orifice.	1. Check for gas at burner. If no gas, remove pipe train and check orifice and burner ring for blockage.
	2. Flame probe.	2. Check to be sure flame probe is in good condition and is located in flame. Flame probe contacts should open when probe gets hot.
	3. Incorrect supply voltage.	3. Voltage to heater must be 110V AC.
	4. Regulator set too low.	4. See that flame burns continuous and is not intermittent. On ring burners be sure flame burns completely around ring.
	5. Moisture in fuel.	5. Have tank and lines checked by a qualified gas service man.

7. Wiring Diagrams

CSA (LP, High-Low) Centrifugal Heater Wiring Diagram

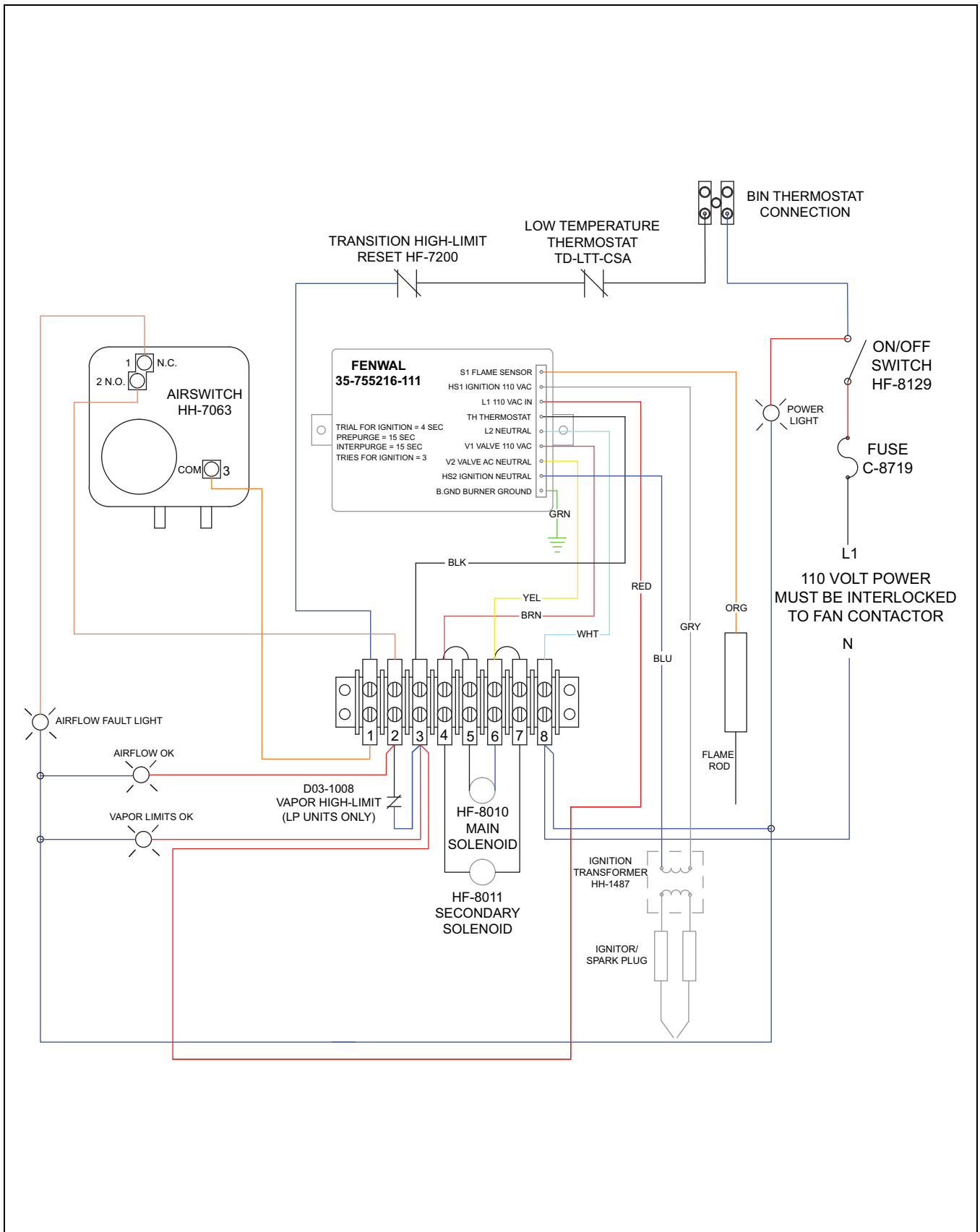


Ladder Logic Control for LP, High-Low CSA Centrifugal Heater

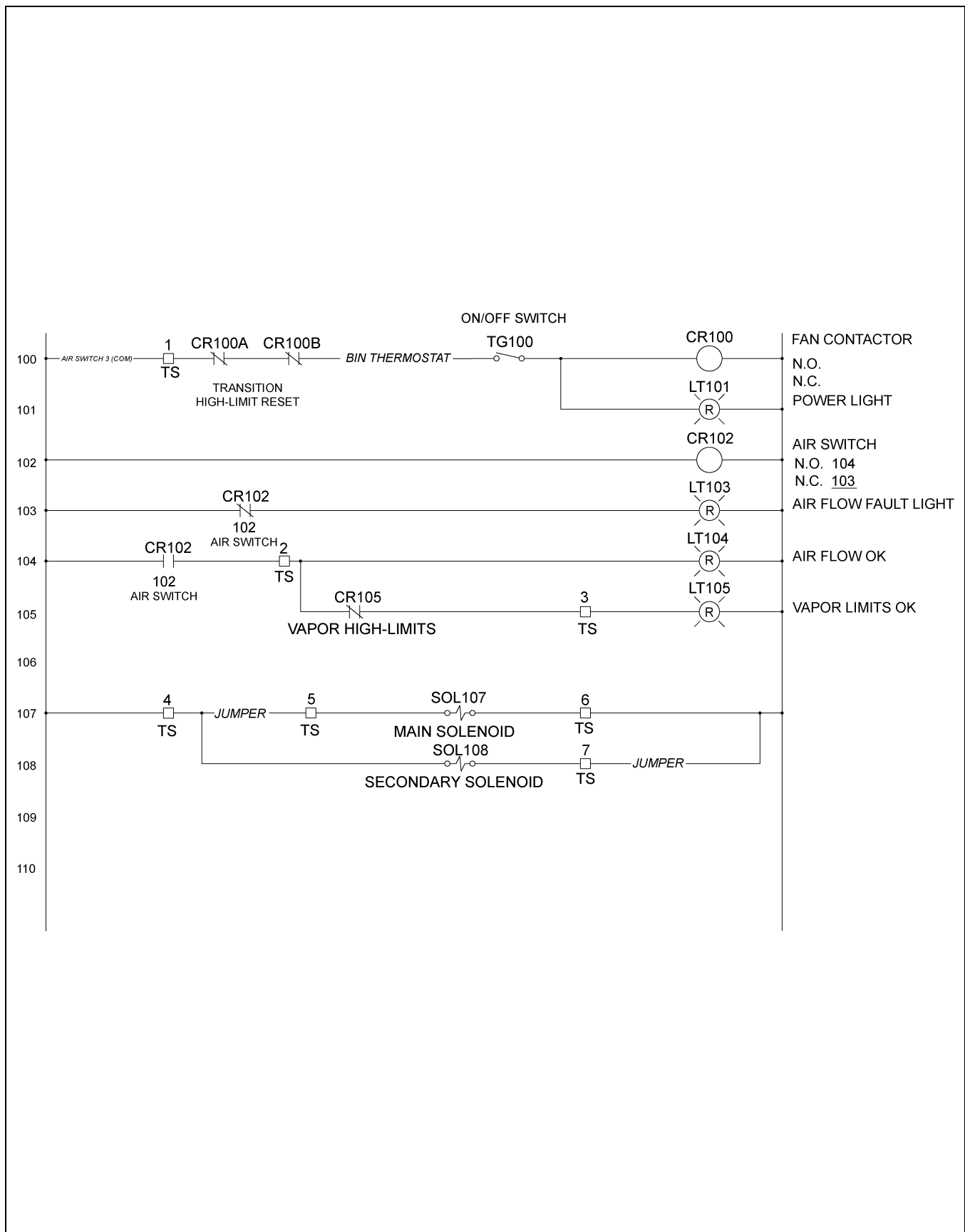


7. Wiring Diagrams

CSA (LP, Non-High-Low) Centrifugal Heater Wiring Diagram

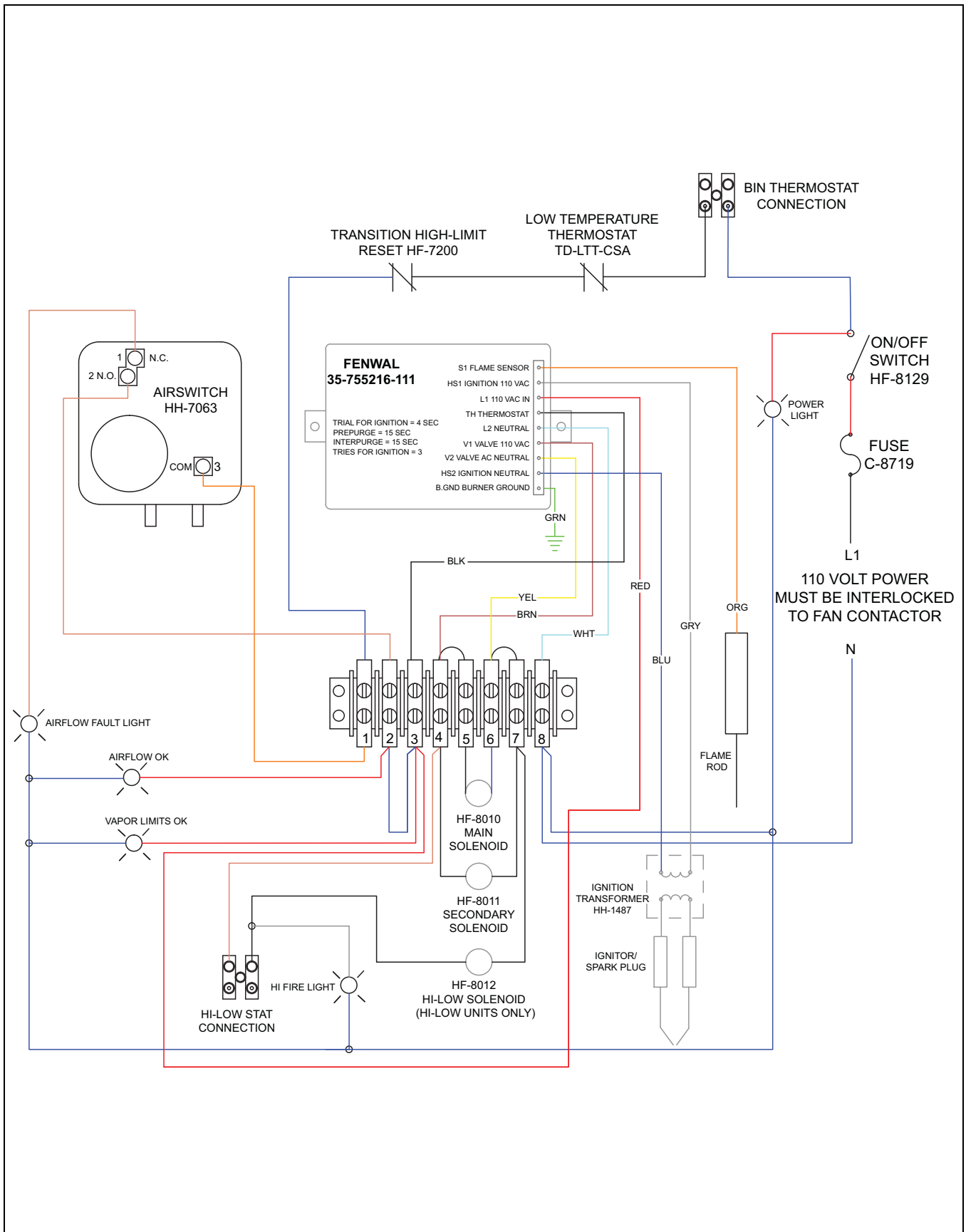


Ladder Logic Control for LP, Non-High-Low CSA Centrifugal Heater

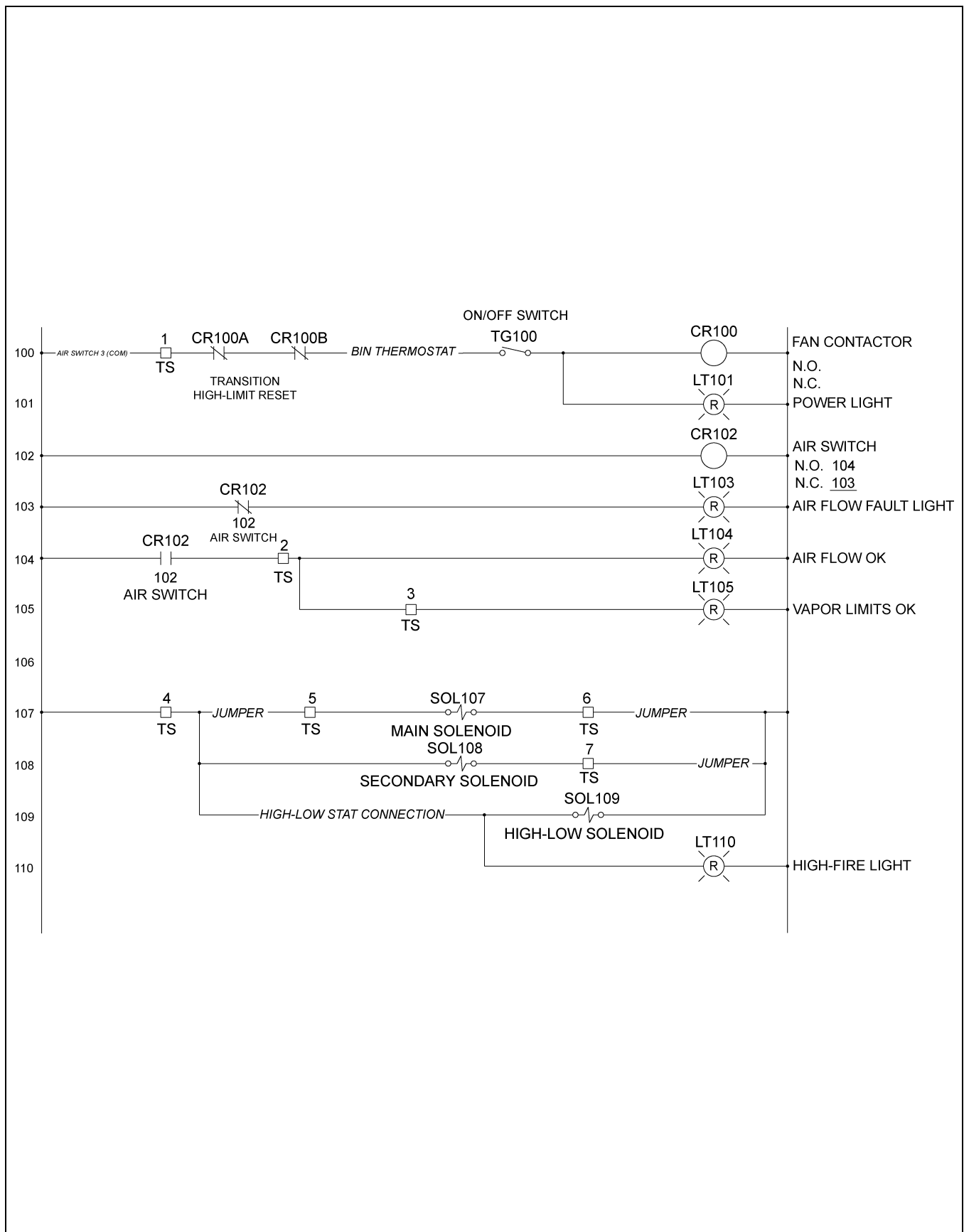


7. Wiring Diagrams

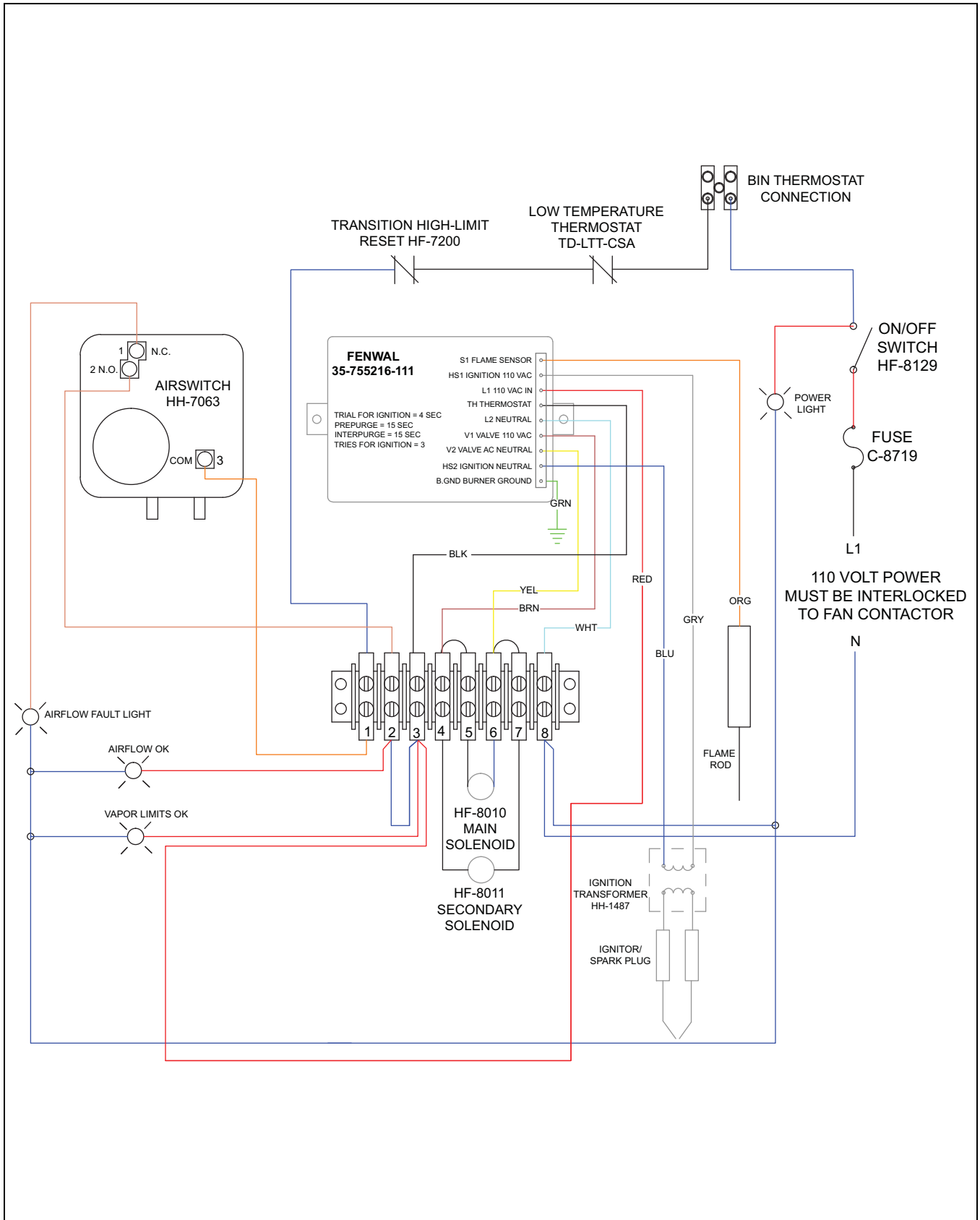
CSA (NG, High-Low) Centrifugal Heater Wiring Diagram



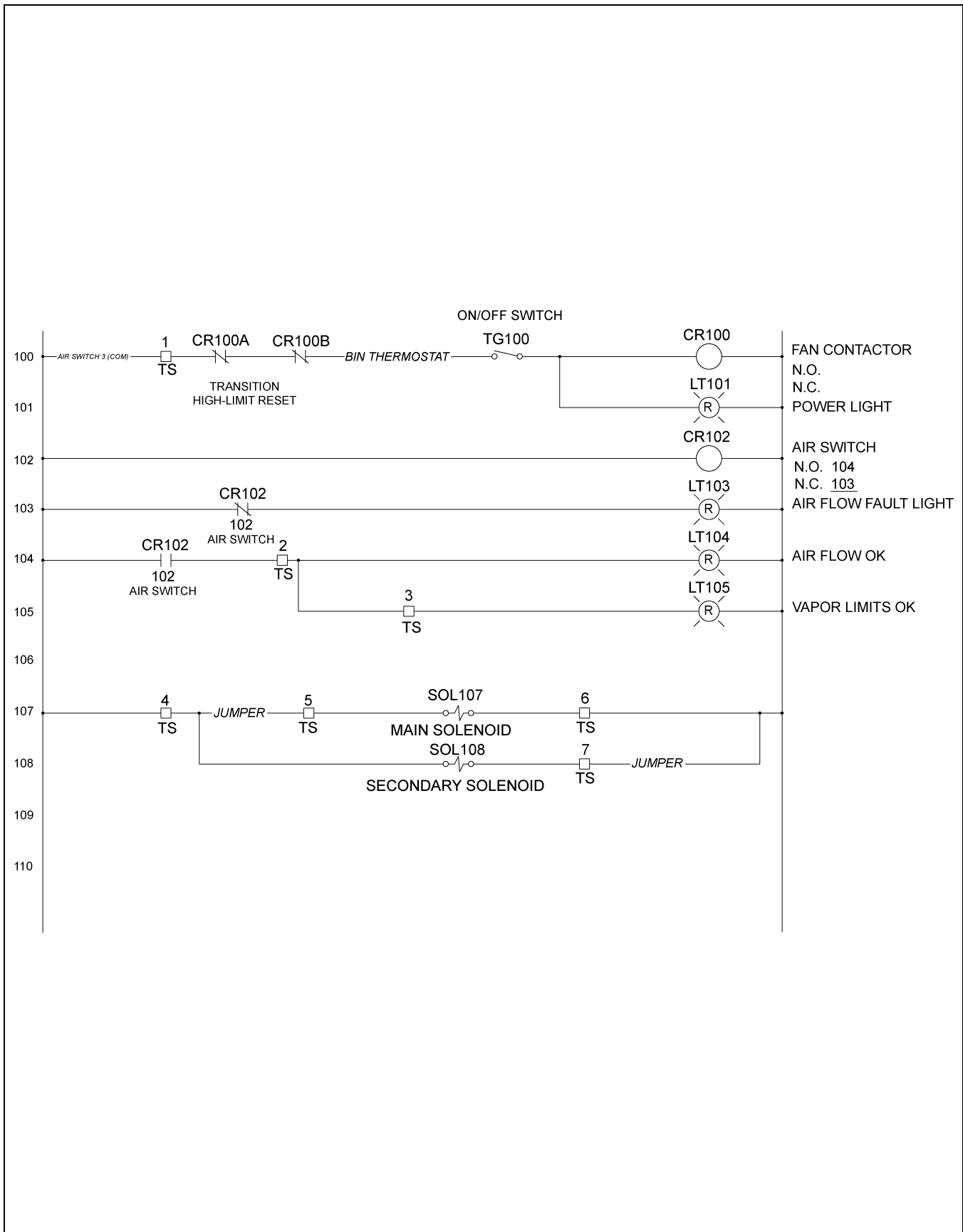
Ladder Logic Control for NG, High-Low CSA Centrifugal Heater



CSA (NG, Non-High-Low) Centrifugal Heater Wiring Diagram

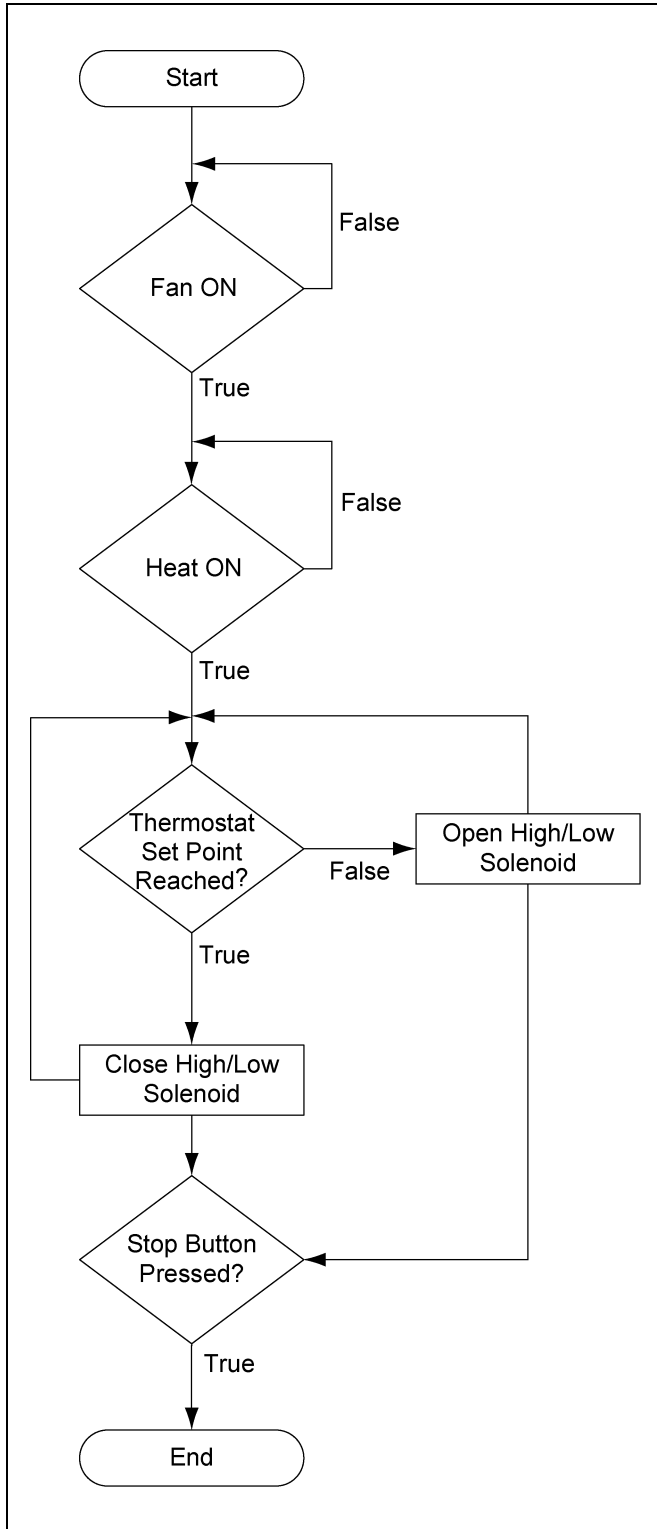


Ladder Logic Control for NG, Non-High-Low CSA Centrifugal Heater

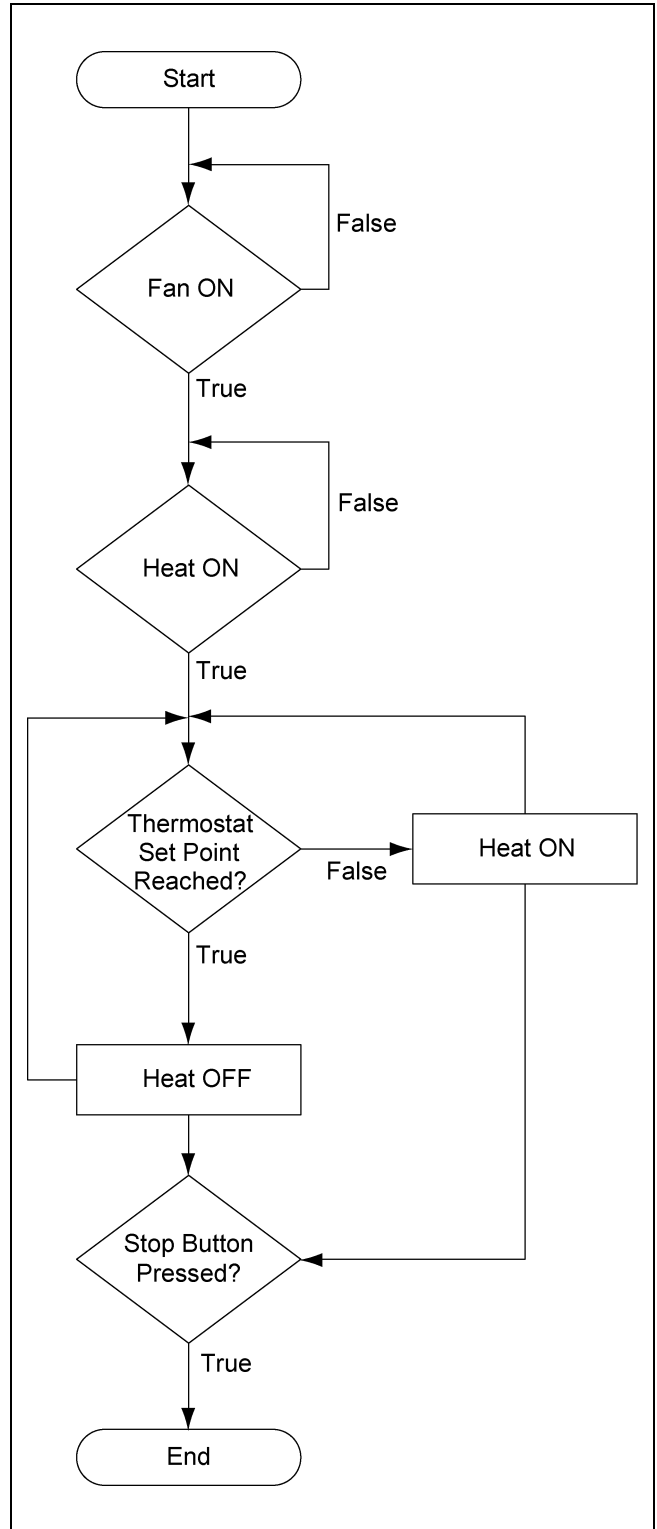


CSA Heater Operation Flow Chart

Heater Global State High/Low-Fire

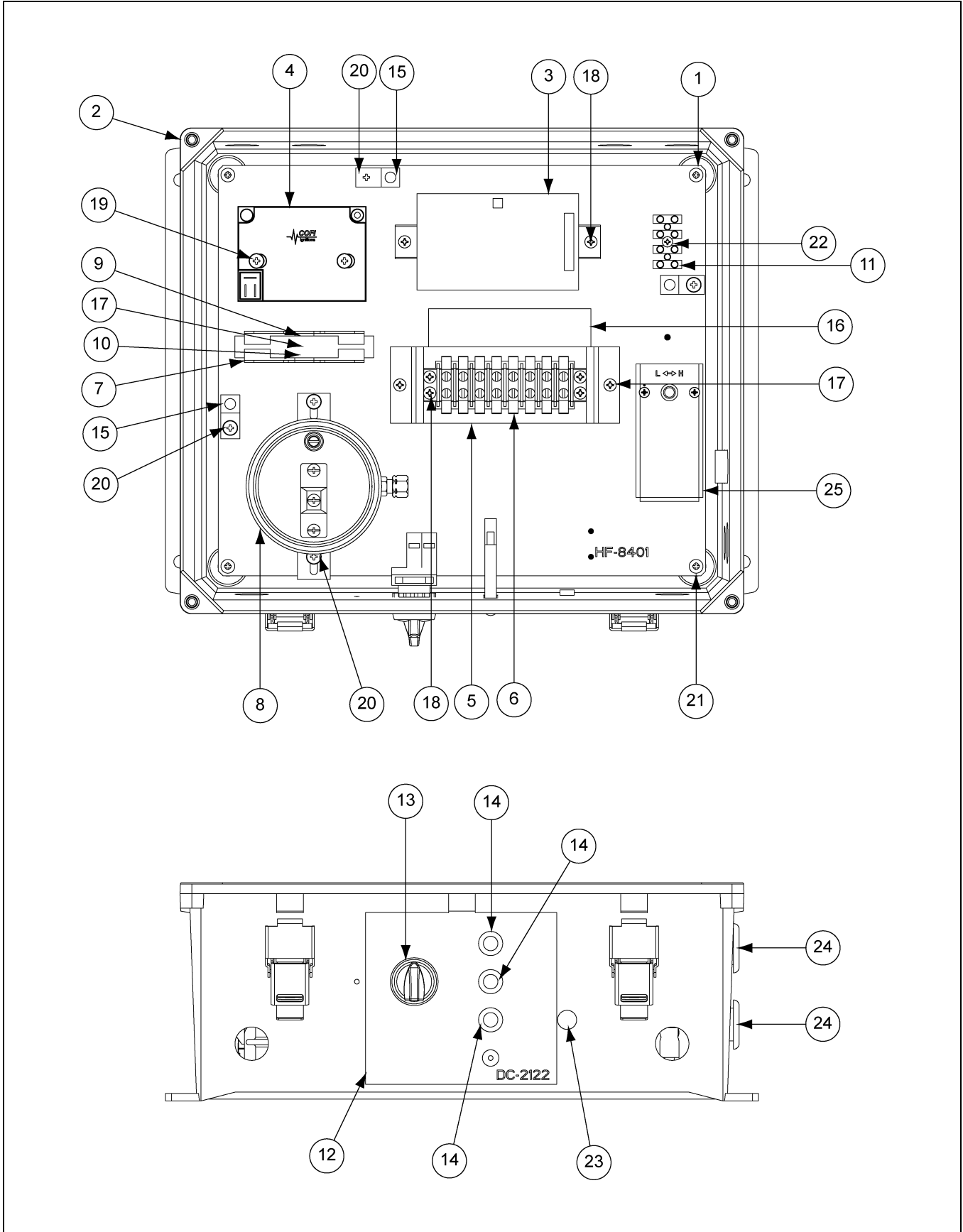


Heater Global State ON/OFF



1. **CSA Centrifugal Heater Control Box Assembly (HF-8210)** - *(See Pages 42-43.)*
2. **Downwind Centrifugal LP Pipe Train Components (HF-8374)** - *(See Pages 44-45.)*
3. **Downwind Centrifugal LP High-Low Pipe Train Components (HF-8375)** - *(See Pages 46-47.)*
4. **Downwind Centrifugal NG Pipe Train Components (HF-8376)** - *(See Page 48.)*
5. **Downwind Centrifugal NG High-Low Pipe Train Components (HF-8377)** - *(See Page 49.)*
6. **Downwind Centrifugal Propane Vapor Pipe Train Components 15 HP (HF-8319)** - *(See Pages 50-51.)*
7. **Downwind Centrifugal Propane Vapor Pipe Train Components 30 HP (HF-8321)** - *(See Pages 52-53.)*
8. **Downwind Centrifugal Propane Vapor High-Low Pipe Train Components 15 HP (HF-8320)** - *(See Pages 54-55.)*
9. **Downwind Centrifugal Propane Vapor High-Low Pipe Train Components 30 HP (HF-8322)** - *(See Pages 56-57.)*
10. **15 HP and 30 HP Centrifugal Housing** - *(See Page 58.)*
11. **LP Supply Pipe Train Assembly (HF-8203)** - *(See Page 59.)*

CSA Centrifugal Heater Control Box Assembly (HF-8210)

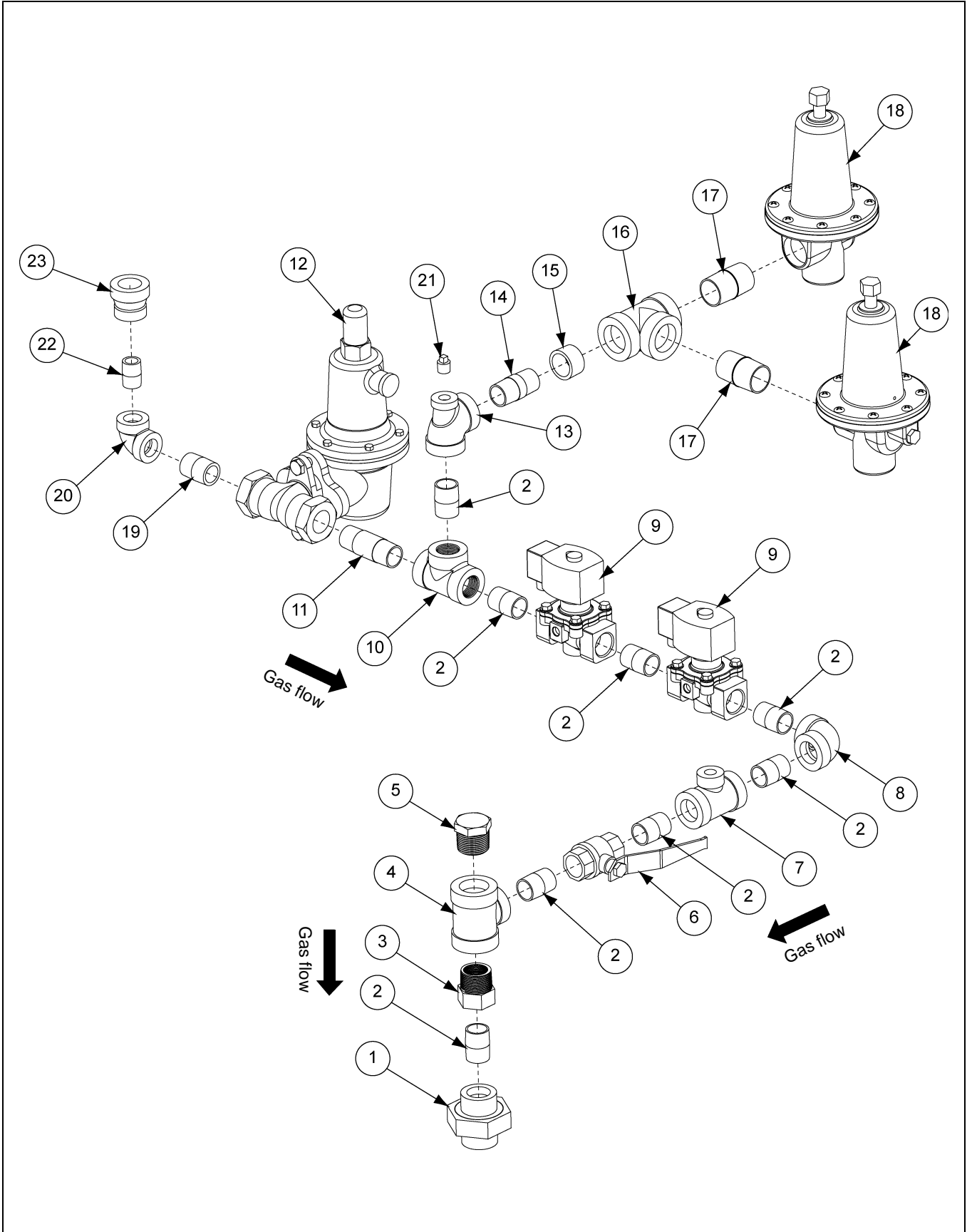


CSA Centrifugal Heater Control Box Assembly (HF-8210) Parts List

Ref #	Part #	Description	Qty	Unit
1	HF-8401	Backing Plate, Heater Cont C-8838	1	All
2	C-8838	Enclosure, Heater Nonmetallic 14" x 12" x 7" Nema 4 x VYNC RVJ	1	All
3	HF-4624-DWH	Fenwal, Flame CSA 15 Sec Purge, 3 Retries	1	All
4	GT3-1457	Single Pole Cofi Ignition Transformer CE Rated	1	All
5	HF-7697	Term Strip Bracket	1	All
6	TFH-2013	Terminal, Block 8 Pole	1	All
7	C-8718	Single Pole Midget Fuse Block	1	All
8	HH-7063	Switch, Air (Antunes)	1	All
9	C-8715	1-1/2" x 13/32" Fuse Puller	1	All
10	C-8719	Slow Blow 3A Midget Fuse 500 VAC, 10KA I.R.	1	All
11	E240-1107	Terminal Strip 12 Pos 10A 12 Gauge	1	All
12	DC-2122	Decal, CSA Heater Control	1	All
13	DSA-VIS-POWR	Dryer Switch Assembly Vis Power ON/OFF	1	All
14	90-0009	Lamp, 120V Amber	3	All
15	E160-1137	Lug Ground, #TA-2 (CSA)	3	All
16	DC-2106	Decal, Standard Heater Terminal Strip	1	All
17	S-2786	Screw, TCSF #8-32 x 3/8" PHP ZN	5	All
18	S-7192	Screw, TCSF #8-32 x 5/8" PHP ZN	6	All
19	S-10176	Screw, TCSF #10-32 x 1-3/4" PHP ZN	2	All
20	090-1701-3	Screw, MS #10-24 x 1/2" PHS ZN	5	All
21	S-8976	Screw, MS #10-32 x 3/8" PHP ZN Grade 2	4	All
22	S-9111	Screw, TCSF #6-32 x 3/4" PHP ZN	1	All
23	048-1042-0	Hole Plug 3/8"	1	All
24	HH-7203	Plug, Hole 0.875D 0.063-0.250T C2070	2	All
25	VIS-LTT-CSA	Low Temp Thermostat with Cover, Vision CSA	1	All

8. Parts List

Downwind Centrifugal LP Pipe Train Components (HF-8374)

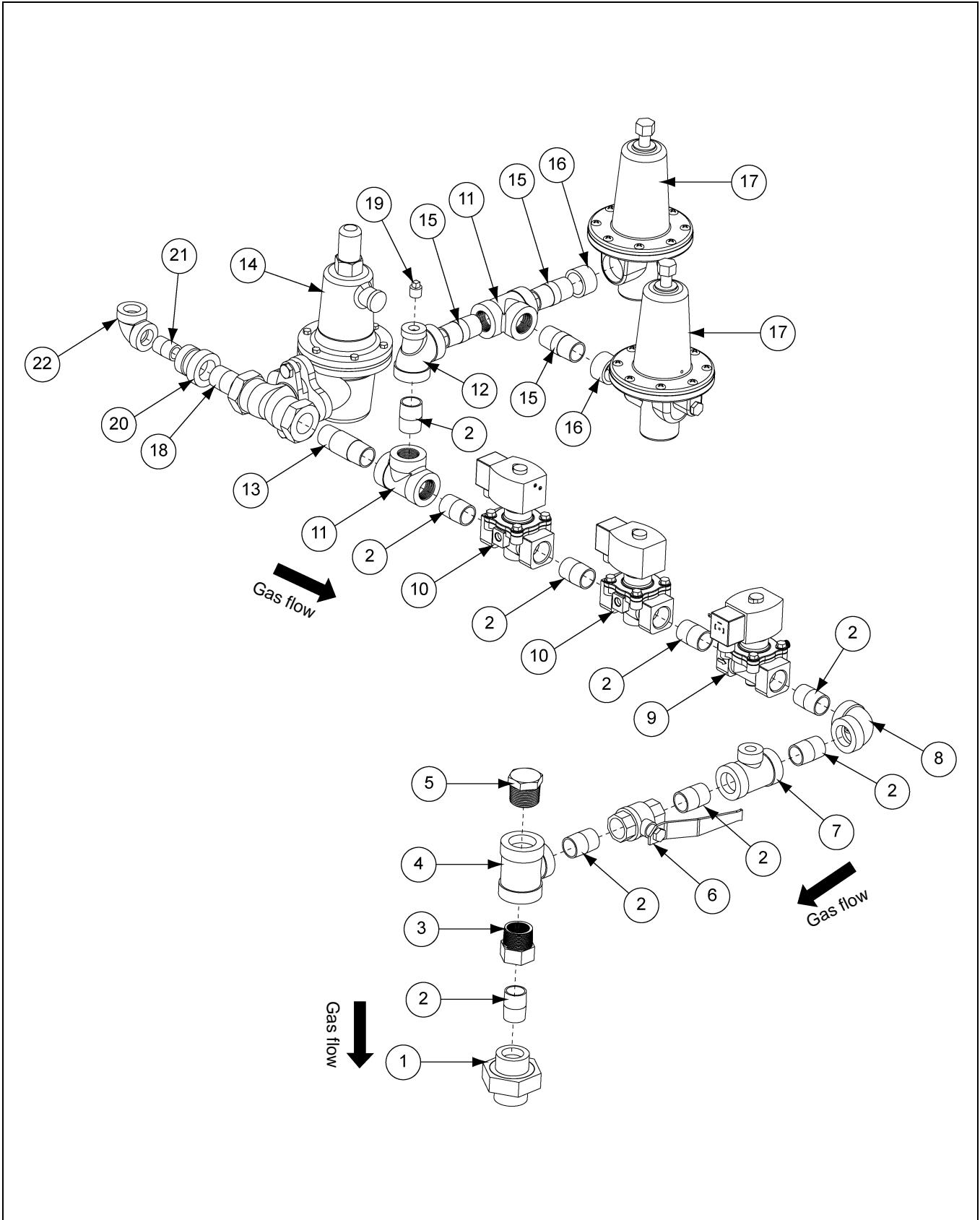


Downwind Centrifugal LP Pipe Train Components (HF-8374) Parts List

Ref #	Part #	Description	Qty	HP
1	707-1175-9	Union, 3/4" SCH 40 Black	1	All
2	THH-4121	Nipple, 3/4" Close SCH 40 Black	8	All
3	HF-7794	Orifice Holder - Quad Heater - 3/4"	1	All
4	D08-0017	Tee, 1" x 1" x 3/4" SCH 40 Black	1	All
5	D08-0014	Plug, Hex-Head, Black Steel, 1" NPT	1	All
6	D03-0837	Valve, 3/4" NPT Full Port, Lever, CSA, Brass	1	All
7	THH-4154	Tee, 3/4" x 3/4" x 1/4" SCH 40 Black	1	All
8	THH-4120	Elbow, 3/4"-90° SCH 40 Black	1	All
9	056-2223-8	Valve, Solenoid 3/4" NPT 115V Din 50 PSI Max ASCO Rebuild Kit #316	2	All
10	THH-4124	Tee, 3/4" x 3/4" x 3/4" SCH 40 Black	1	All
11	HH-7102	Nipple, 3/4" x 2-3/4" SCH 40 Black	1	All
12	D03-0880	Regulator, LP 5-20 PSI Spring, 0.5 Orifice, 3/4" NPT	1	All
13	THH-4158	Tee, 3/4" x 1/4" x 3/4" SCH 40 Black	1	All
14	THH-4125	Nipple, 3/4" x 2" SCH 40 Black	1	All
15	007-1338-8	Bushing, Flush 1" to 3/4"	1	All
16	THH-4137	Tee, 1" x 1" x 1" SCH 40 Black	1	All
17	007-1242-2	Nipple, 1" x 2" SCH 40 Black	2	All
18	D03-0881	Valve, Relief - 15-50 PSI Spring LP, 1" NPT, 300F Rating, Preset I	2	All
19	D67-0021	Nipple, 3/4" Close SCH 80 Black	1	All
20	HH-4847	Elbow, 1/2"-90° SCH 80 Black	1	All
21	007-1747-0	Plug, 1/4" NPT Square Black	1	All
22	THH-4113	Nipple, 1/2" x Close SCH 80 Black	1	All
23	007-1930-2	Bell, Reducer 3/4" to 1/2" SCH 80	1	All

8. Parts List

Downwind Centrifugal LP High-Low Pipe Train Components (HF-8375)

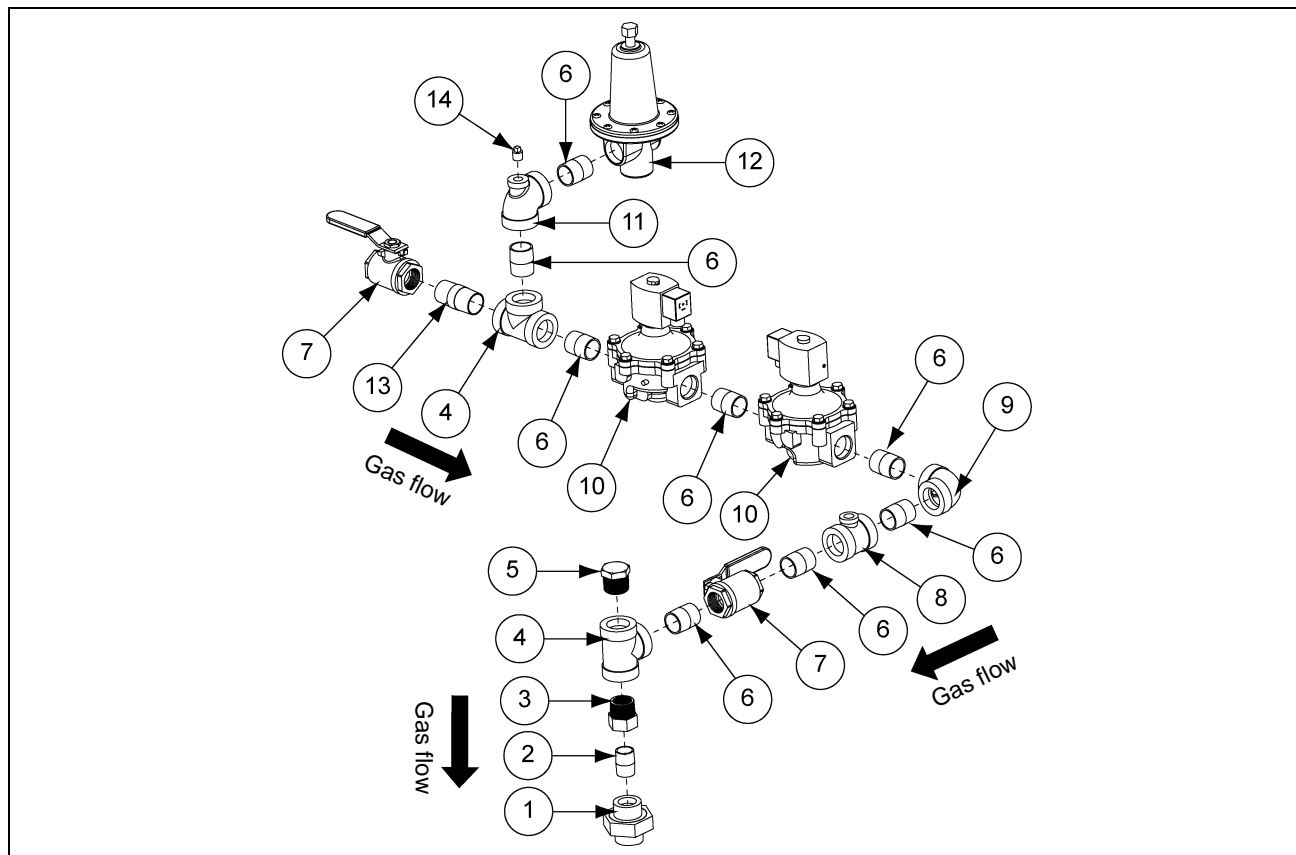


Downwind Centrifugal LP High-Low Pipe Train Components (HF-8375) Parts List

Ref #	Part #	Description	Qty	HP
1	707-1175-9	Union, 3/4" SCH 40 Black	1	All
2	THH-4121	Nipple, 3/4" Close SCH 40 Black	9	All
3	HF-7794	Orifice Holder - Quad Heater - 3/4"	1	All
4	D08-0017	Tee, 1" x 1" x 3/4" SCH 40 Black	1	All
5	D08-0014	Plug, Hex-Head, Black Steel, 1" NPT	1	All
6	D03-0837	Valve, 3/4" NPT Full Port, Lever, CSA, Brass	1	All
7	THH-4154	Tee, 3/4" x 3/4" x 1/4" SCH 40 Black	1	All
8	THH-4120	Elbow, 3/4"-90° SCH 40 Black	1	All
9	056-2228-7	Valve, Solenoid 3/4" NPT 115V Din Bypass 30 PSI Max ASCO Rebuild K	1	All
10	056-2223-8	Valve, Solenoid 3/4" NPT 115V Din 50 PSI Max ASCO Rebuild Kit #316	2	All
11	THH-4124	Tee, 3/4" x 3/4" x 3/4" SCH 40 Black	2	All
12	THH-4158	Tee, 3/4" x 1/4" x 3/4" SCH 40 Black	1	All
13	HH-7102	Nipple, 3/4" x 2-3/4" SCH 40 Black	1	All
14	D03-0880	Regulator, LP 5-20 PSI Spring, 0.5 Orifice, 3/4" NPT	1	All
15	THH-4125	Nipple, 3/4" x 2" SCH 40 Black	3	All
16	007-1338-8	Bushing, Flush 1" to 3/4"	2	All
17	D03-0881	Valve, Relief - 15-50 PSI Spring LP, 1" NPT, 300F Rating, Preset I	2	All
18	D67-0021	Nipple, 3/4" Close SCH 80 Black	1	All
19	007-1747-0	Plug, 1/4" NPT Square Black	1	All
20	007-1930-2	Bell, Reducer 3/4" to 1/2" SCH 80	1	All
21	THH-4113	Nipple 1/2" x close SCH 80 Black	1	All
22	HH-4847	Elbow, 1/2"-90° SCH 80 Black	1	All

8. Parts List

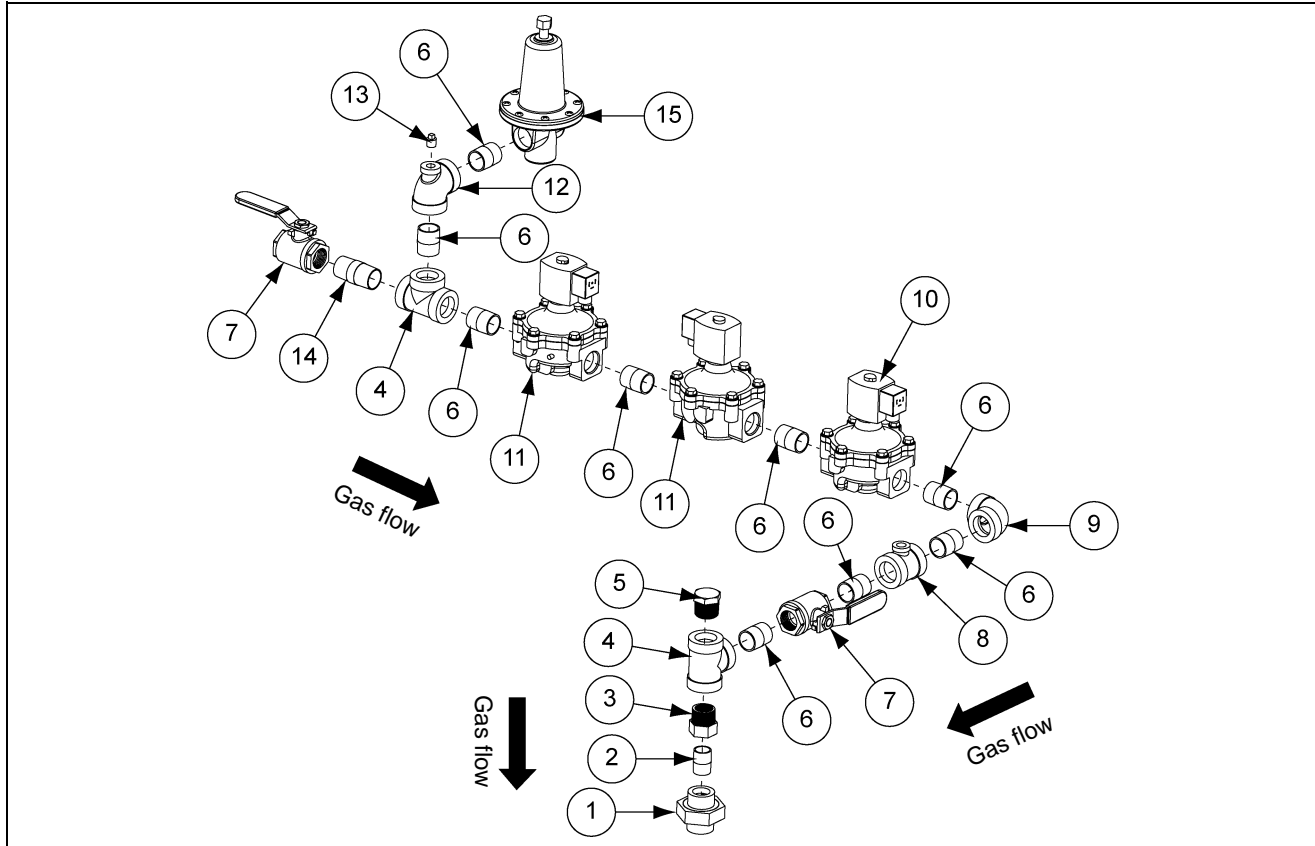
Downwind Centrifugal NG Pipe Train Components (HF-8376)



Downwind Centrifugal NG Pipe Train Components (HF-8376) Parts List

Ref #	Part #	Description	Qty	HP
1	707-1175-9	Union, 3/4" SCH 40 Black	1	All
2	THH-4121	Nipple, 3/4" Close SCH 40 Black	1	All
3	HF-7794	Orifice Holder - Quad Heater - 3/4"	1	All
4	THH-4137	Tee, 1" x 1" x 1" SCH 40 Black	2	All
5	D08-0014	Plug, Hex-Head, Black Steel, 1" NPT	1	All
6	THH-4117	Nipple, 1" Close SCH 40 Black	8	All
7	D03-0838	Valve, 1" NPT Full Port, Lever, CSA, Brass	2	All
8	THH-4152	Tee, 1" x 1" x 1/4" SCH 40 Black	1	All
9	THH-4115	Elbow, 1"-90° SCH 40 Black	1	All
10	056-2224-6	Valve, Solenoid 1" NPT 115V Din 25 PSI Max ASCO Rebuild Kit #31891	2	All
11	THH-4163	Tee, 1" x 1/4" x 1" SCH 40 Black	1	All
12	D03-0881	Valve, Relief - 15-50 PSI Spring LP, 1" NPT, 300F Rating, Preset I	1	All
13	THH-4037	Nipple, 1" x 2-1/2" SCH 40 Black	1	All
14	007-1747-0	Plug, 1/4" NPT Square Black	1	All

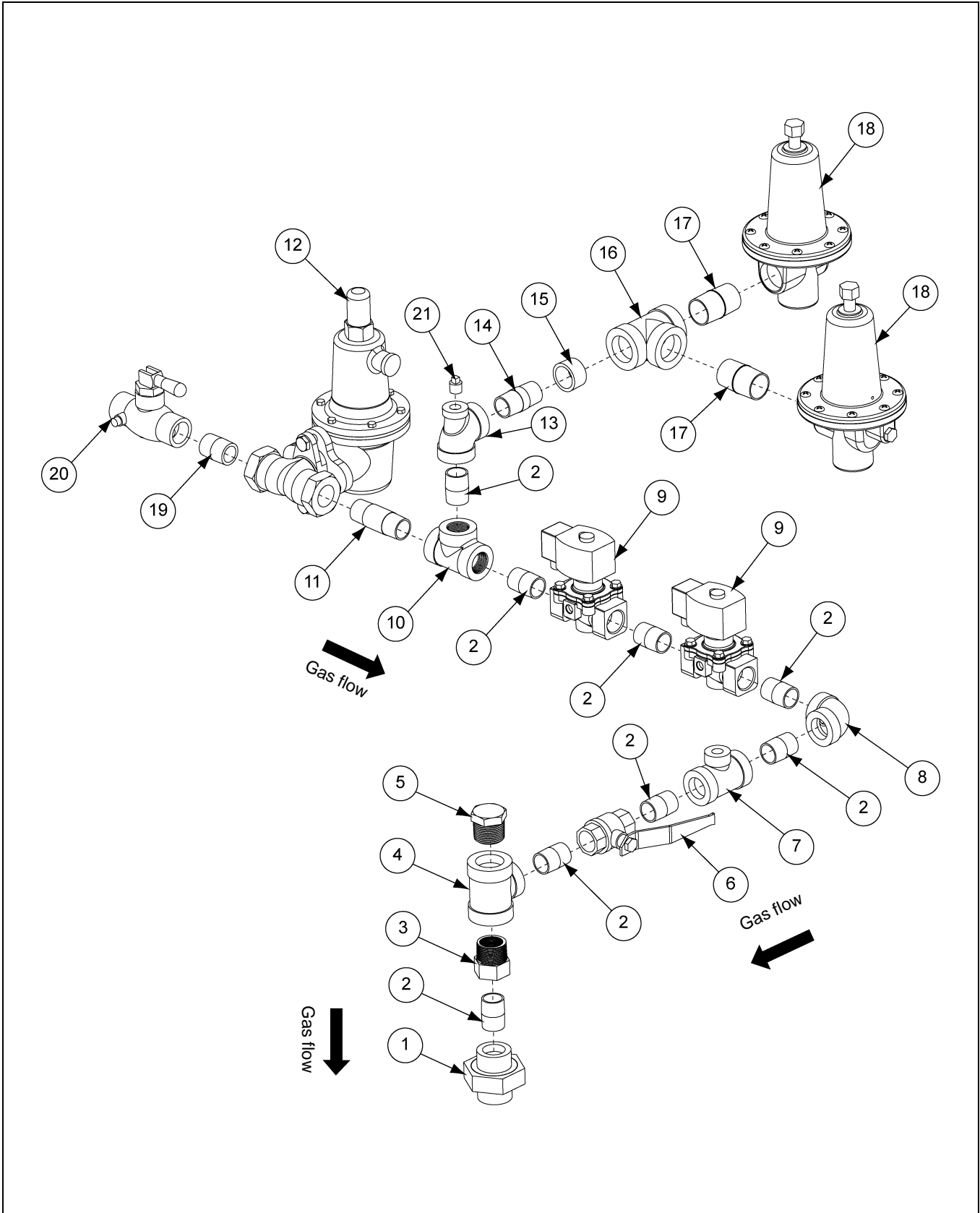
Downwind Centrifugal NG High-Low Pipe Train Components (HF-8377)



Downwind Centrifugal NG High-Low Pipe Train Components (HF-8377) Parts List

Ref #	Part #	Description	Qty	HP
1	707-1175-9	Union, 3/4" SCH 40 Black	1	All
2	THH-4121	Nipple, 3/4" Close SCH 40 Black	1	All
3	HF-7794	Orifice Holder - Quad Heater - 3/4"	1	All
4	THH-4137	Tee, 1" x 1" x 1" SCH 40 Black	2	All
5	D08-0014	Plug, Hex-Head, Black Steel, 1" NPT	1	All
6	THH-4117	Nipple, 1" Close SCH 40 Black	9	All
7	D03-0838	Valve, 1" NPT Full Port, Lever, CSA, Brass	2	All
8	THH-4152	Tee, 1" x 1" x 1/4" SCH 40 Black	1	All
9	THH-4115	Elbow, 1"-90° SCH 40 Black	1	All
10	056-2230-3	Valve, Solenoid 1" NPT 115V Din w/ Bypass 30 PSI Max ASCO Rebuild KI	1	All
11	056-2224-6	Valve, Solenoid 1NPT 115V Din 25 PSI Max ASCO Rebuild Kit #31891	2	All
12	THH-4163	Tee, 1" x 1/4" x 1" SCH 40 Black	1	All
13	007-1747-0	Plug, 1/4" NPT Square Black	1	All
14	THH-4037	Nipple, 1" x 2-1/2" SCH 40 Black	1	All
15	D03-0881	Valve, Relief - 15-50 PSI Spring LP, 1" NPT, 300F Rating, Preset I	1	All

Downwind Centrifugal Propane Vapor Pipe Train Components 15 HP (HF-8319)

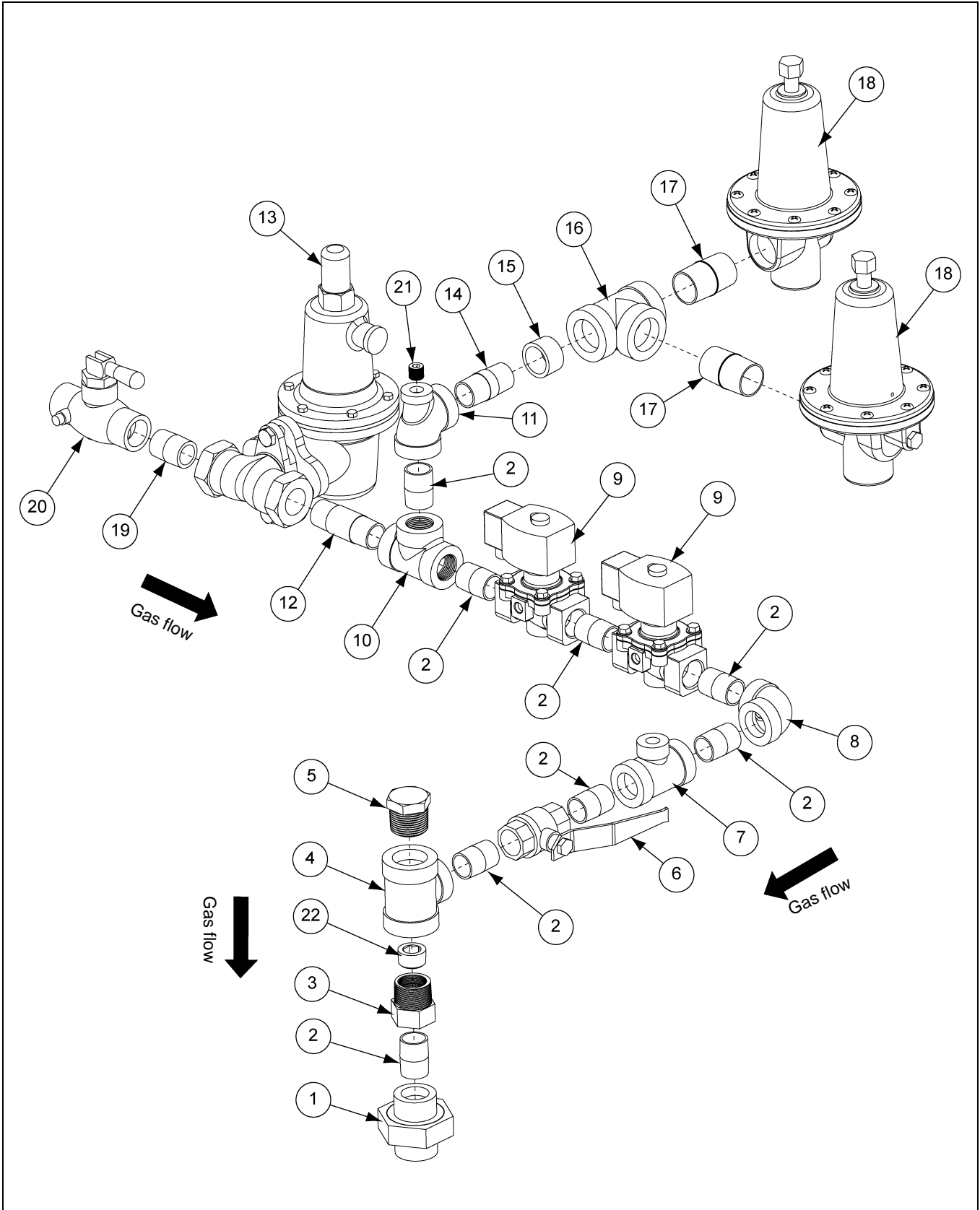


Downwind Centrifugal Propane Vapor Pipe Train Components 15 HP (HF-8319) Parts List

Ref #	Part #	Description	Qty	Unit
1	707-1175-9	Union, 3/4" SCH 40 Black	1	All
2	THH-4121	Nipple, 3/4" Close SCH 40 Black	8	All
3	HF-7794	Orifice Holder - Quad Heater - 3/4"	1	All
4	D08-0017	Tee, 1" x 1" x 3/4" SCH 40 Black	1	All
5	D08-0014	Plug, Hex-Head, Black Steel, 1" NPT	1	All
6	D03-0837	Valve, 3/4" NPT Full Port, Lever, CSA, Brass	1	All
7	THH-4154	Tee, 3/4" x 3/4" x 1/4" SCH 40 Black	1	All
8	THH-4120	Elbow, 3/4"-90° SCH 40 Black	1	All
9	056-2223-8	Valve, Solenoid 3/4" NPT 115V Din Bypass 50 PSI Max ASCO Rebuild Kit #316	2	All
10	THH-4124	Tee, 3/4" x 3/4" x 3/4" SCH 40 Black	1	All
11	HH-7102	Nipple, 3/4" x 2-3/4" SCH 40 Black	1	All
12	D03-0880	Regulator, LP 5-20 PSI Spring, 0.5 Orifice, 3/4" NPT	1	All
13	THH-4158	Tee, 3/4" x 1/4" x 3/4" SCH 40 Black	1	All
14	THH-4125	Nipple, 3/4" x 2" SCH 40 Black	1	All
15	007-1338-8	Bushing, Flush 1" to 3/4"	1	All
16	THH-4137	Tee 1" x 1" x 1" SCH 40 Black	1	All
17	007-1242-2	Nipple, 1" x 2" SCH 40 Black	2	All
18	D03-0881	Valve, Relief - 15-50 PSI Spring LP, 1" NPT, 300F Rating, Preset I	2	All
19	D67-0021	Nipple, 3/4" Close SCH 80 Black	1	All
20	D03-0841	Valve, 3/4" NPT LP Quick Shut Off CSA	1	All
21	007-1747-0	Plug, 1/4" NPT Square Black	1	All

8. Parts List

Downwind Centrifugal Propane Vapor Pipe Train Components 30 HP (HF-8321)

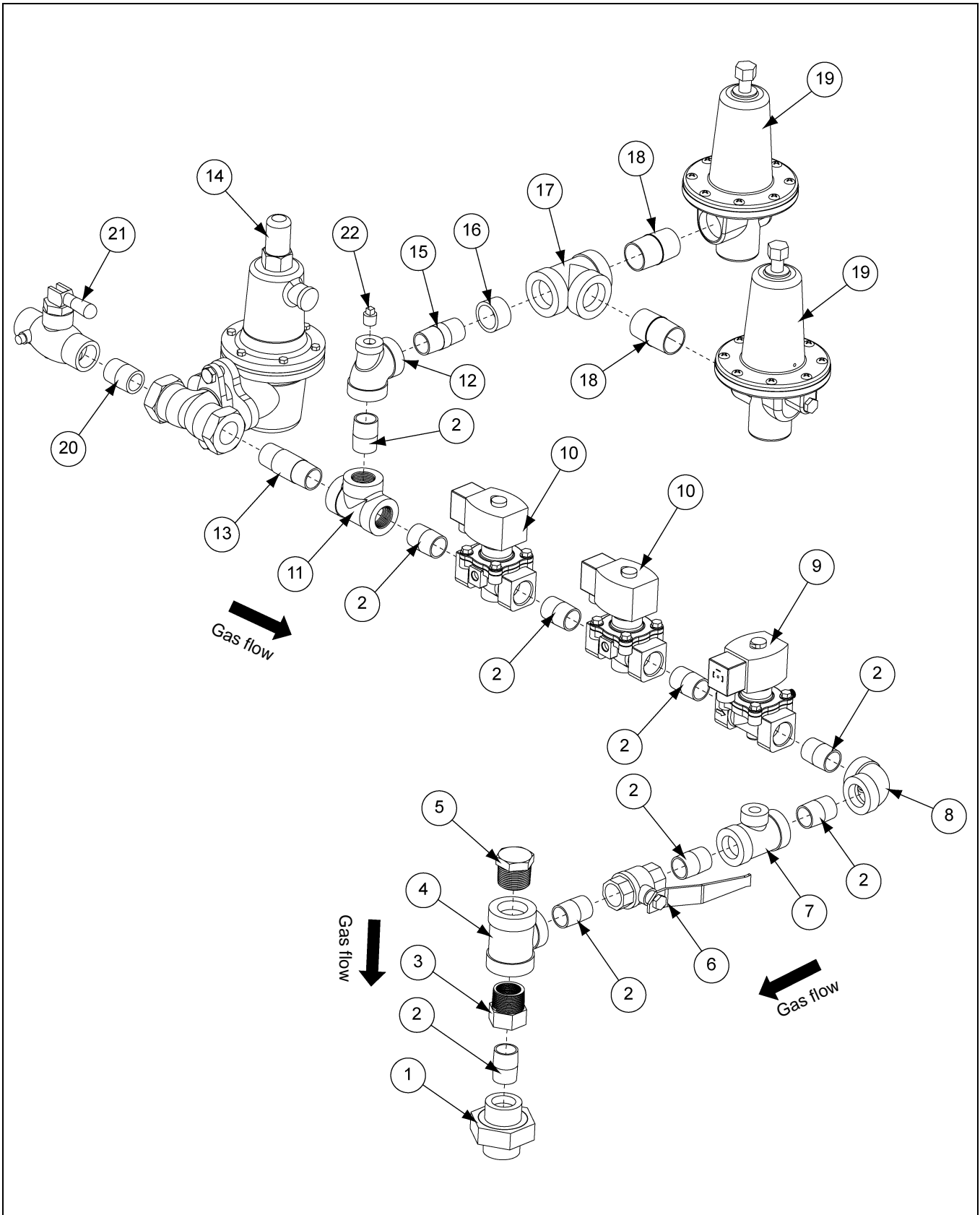


Downwind Centrifugal Propane Vapor Pipe Train Components 30 HP (HF-8321) Parts List

Ref #	Part #	Description	Qty	Unit
1	707-1175-9	Union, 3/4" SCH 40 Black	1	All
2	THH-4121	Nipple, 3/4" Close SCH 40 Black	8	All
3	HF-7794	Orifice Holder - Quad Heater - 3/4"	1	All
4	D08-0017	Tee, 1" x 1" x 3/4" SCH 40 Black	1	All
5	D08-0014	Plug, Hex-Head, Black Steel, 1" NPT	1	All
6	D03-0837	Valve, 3/4" NPT Full Port, Lever, CSA, Brass	1	All
7	THH-4154	Tee, 3/4" x 3/4" x 1/4" SCH 40 Black	1	All
8	THH-4120	Elbow, 3/4"-90° SCH 40 Black	1	All
9	056-2223-8	Valve, Solenoid 3/4" NPT 115V Din 50 PSI Max ASCO Rebuild Kit #316	2	All
10	THH-4124	Tee, 3/4" x 3/4" x 3/4" SCH 40 Black	1	All
11	THH-4158	Tee 3/4" x 1/4" x 3/4" SCH 40 Black	1	All
12	HH-7102	Nipple, 3/4" x 2-3/4" SCH 40 Black	1	All
13	D03-0880	Regulator, LP 5-20 PSI Spring, 0.5 Orifice, 3/4" NPT	1	All
14	THH-4125	Nipple, 3/4" x 2" SCH 40 Black	1	All
15	007-1338-8	Bushing, Flush 1" to 3/4"	1	All
16	THH-4137	Tee, 1" x 1" x 1" SCH 40 Black	1	All
17	007-1242-2	Nipple, 1" x 2" SCH 40 Black	2	All
18	D03-0881	Valve, Relief - 15-50 PSI Spring LP, 1" NPT, 300F Rating, Preset I	2	All
19	D67-0021	Nipple, 3/4" Close SCH 80 Black	1	All
20	D03-0841	Valve, 3/4" NPT LP Quick Shut Off CSA	1	All
21	FLX-3788	Plug, 1/4" NPT Recessed Hex Galvanized	1	All
22	HF-8204	Orifice Plug (3/4) Drill: 23/64"	1	30"

8. Parts List

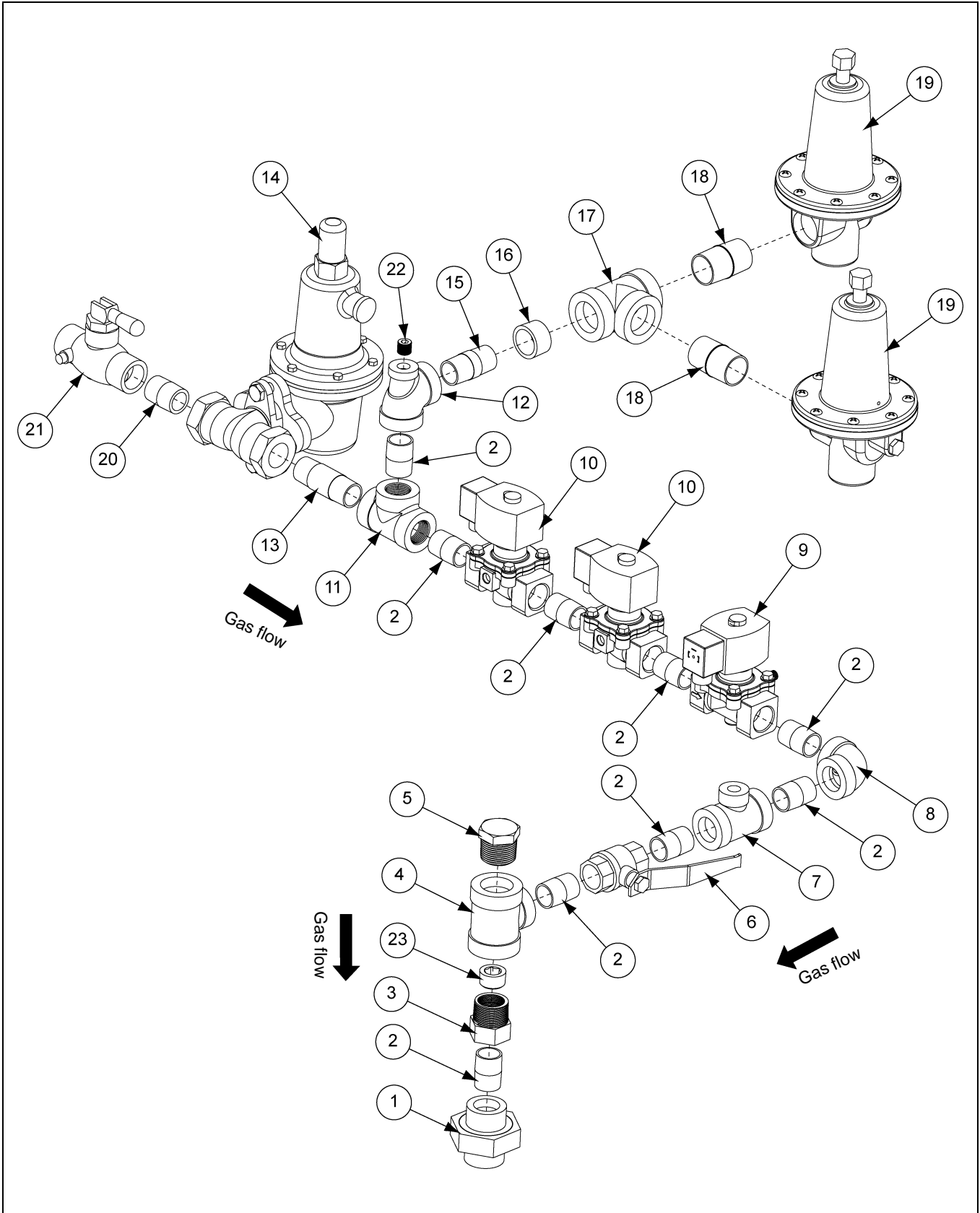
Downwind Centrifugal Propane Vapor High-Low Pipe Train Components 15 HP (HF-8320)



**Downwind Centrifugal Propane Vapor High-Low Pipe Train Components
15 HP (HF-8320) Parts List**

Ref #	Part #	Description	Qty	Unit
1	707-1175-9	Union, 3/4" SCH 40 Black	1	All
2	THH-4121	Nipple, 3/4" Close SCH 40 Black	9	All
3	HF-7794	Orifice Holder - Quad Heater - 3/4"	1	All
4	D08-0017	Tee, 1" x 1" x 3/4" SCH 40 Black	1	All
5	D08-0014	Plug, Hex-Head, Black Steel, 1" NPT	1	All
6	D03-0837	Valve, 3/4" NPT Full Port, Lever, CSA, Brass	1	All
7	THH-4154	Tee, 3/4" x 3/4" x 1/4" SCH 40 Black	1	All
8	THH-4120	Elbow, 3/4"-90° SCH 40 Black	1	All
9	056-2228-7	Valve, Solenoid 3/4" NPT 115V Din Bypass 30 PSI Max ASCO Rebuild K	1	All
10	056-2223-8	Valve, Solenoid 3/4" NPT 115V Din 50 PSI Max ASCO Rebuild Kit #316	2	All
11	THH-4124	Tee, 3/4" x 3/4" x 3/4" SCH 40 Black	1	All
12	THH-4158	Tee, 3/4" x 1/4" x 3/4" SCH 40 Black	1	All
13	HH-7102	Nipple, 3/4" x 2-3/4" SCH 40 Black	1	All
14	D03-0880	Regulator, LP 5-20 PSI Spring, 0.5 Orifice, 3/4" NPT	1	All
15	THH-4125	Nipple, 3/4" x 2" SCH 40 Black	1	All
16	007-1338-8	Bushing, Flush 1" to 3/4"	1	All
17	THH-4137	Tee, 1" x 1" x 1" SCH 40 Black	1	All
18	007-1242-2	Nipple, 1" x 2" SCH 40 Black	2	All
19	D03-0881	Valve, Relief - 15-50 PSI Spring LP, 1" NPT, 300F Rating, Preset I	2	All
20	D67-0021	Nipple, 3/4" Close SCH 80 Black	1	All
21	D03-0841	Valve, 3/4" NPT LP Quick Shut Off CSA	1	All
22	007-1747-0	Plug, 1/4" NPT Square Black	1	All

Downwind Centrifugal Propane Vapor High-Low Pipe Train Components 30 HP (HF-8322)

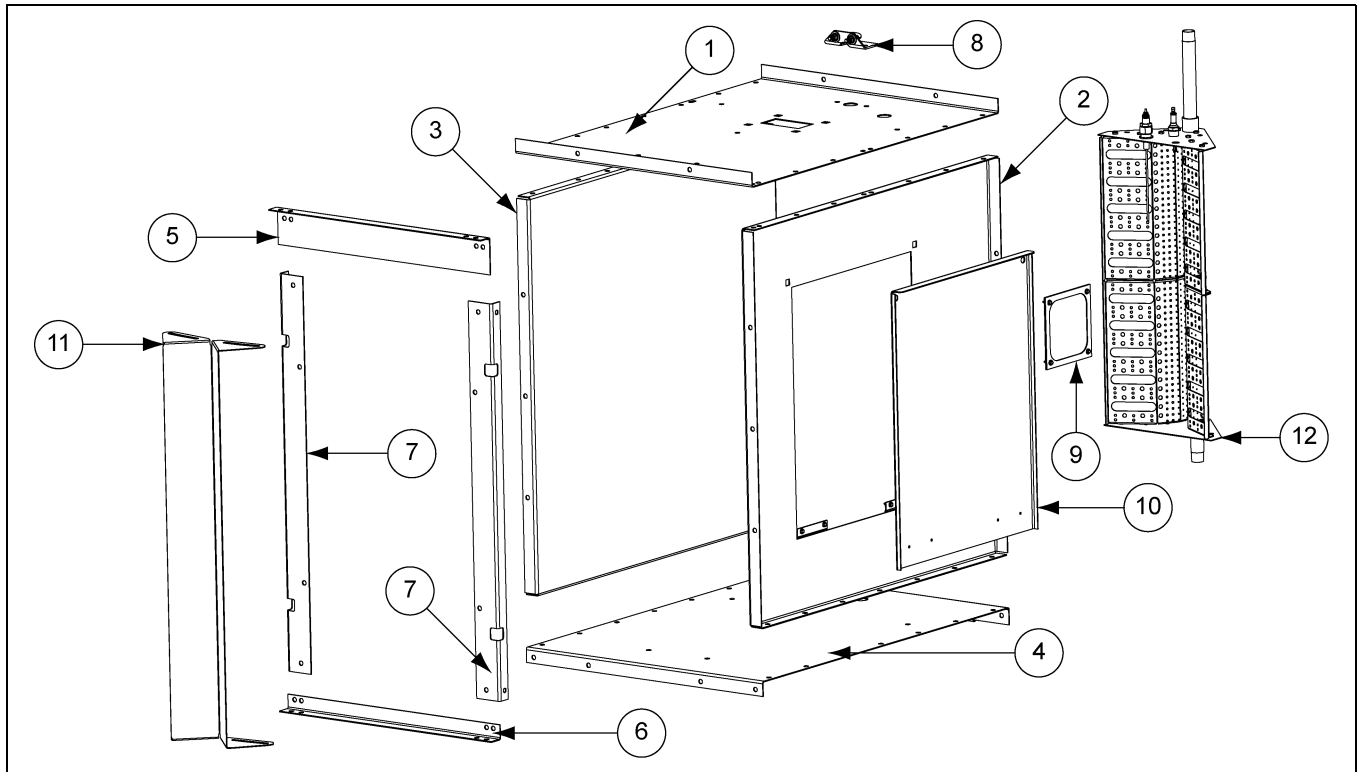


**Downwind Centrifugal Propane Vapor High-Low Pipe Train Components
30 HP (HF-8322) Parts List**

Ref #	Part #	Description	Qty	Unit
1	707-1175-9	Union, 3/4" SCH 40 Black	1	All
2	THH-4121	Nipple, 3/4" Close SCH 40 Black	9	All
3	HF-7794	Orifice Holder - Quad Heater - 3/4"	1	All
4	D08-0017	Tee, 1" x 1" x 3/4" SCH 40 Black	1	All
5	D08-0014	Plug, Hex-Head, Black Steel, 1" NPT	1	All
6	D03-0837	Valve, 3/4" NPT Full Port, Lever, CSA, Brass	1	All
7	THH-4154	Tee, 3/4" x 3/4" x 1/4" SCH 40 Black	1	All
8	THH-4120	Elbow, 3/4"-90° SCH 40 Black	1	All
9	056-2228-7	Valve, Solenoid 3/4" NPT 115V Din Bypass 30 PSI Max ASCO Rebuild K	1	All
10	056-2223-8	Valve, Solenoid 3/4" NPT 115V Din 50 PSI Max ASCO Rebuild Kit #316	2	All
11	THH-4124	Tee, 3/4" x 3/4" x 3/4" SCH 40 Black	1	All
12	THH-4158	Tee, 3/4" x 1/4" x 3/4" SCH 40 Black	1	All
13	HH-7102	Nipple, 3/4" x 2-3/4" SCH 40 Black	1	All
14	D03-0880	Regulator, LP 5-20 PSI Spring, 0.5 Orifice, 3/4" NPT	1	All
15	THH-4125	Nipple, 3/4" x 2" SCH 40 Black	1	All
16	007-1338-8	Bushing, Flush 1" to 3/4"	1	All
17	THH-4137	Tee, 1" x 1" x 1" SCH 40 Black	1	All
18	007-1242-2	Nipple, 1" x 2" SCH 40 Black	2	All
19	D03-0881	Valve, Relief - 15-50 PSI Spring LP, 1" NPT, 300F Rating, Preset I	2	All
20	D67-0021	Nipple, 3/4" Close SCH 80 Black	1	All
21	D03-0841	Valve, 3/4" NPT LP Quick Shut Off CSA	1	All
22	FLX-3788	Plug, 1/4" NPT Recessed Hex Galvanized	1	All
23	HF-8204	Orifice Plug, (3/4) Drill: 23/64"	1	30"

8. Parts List

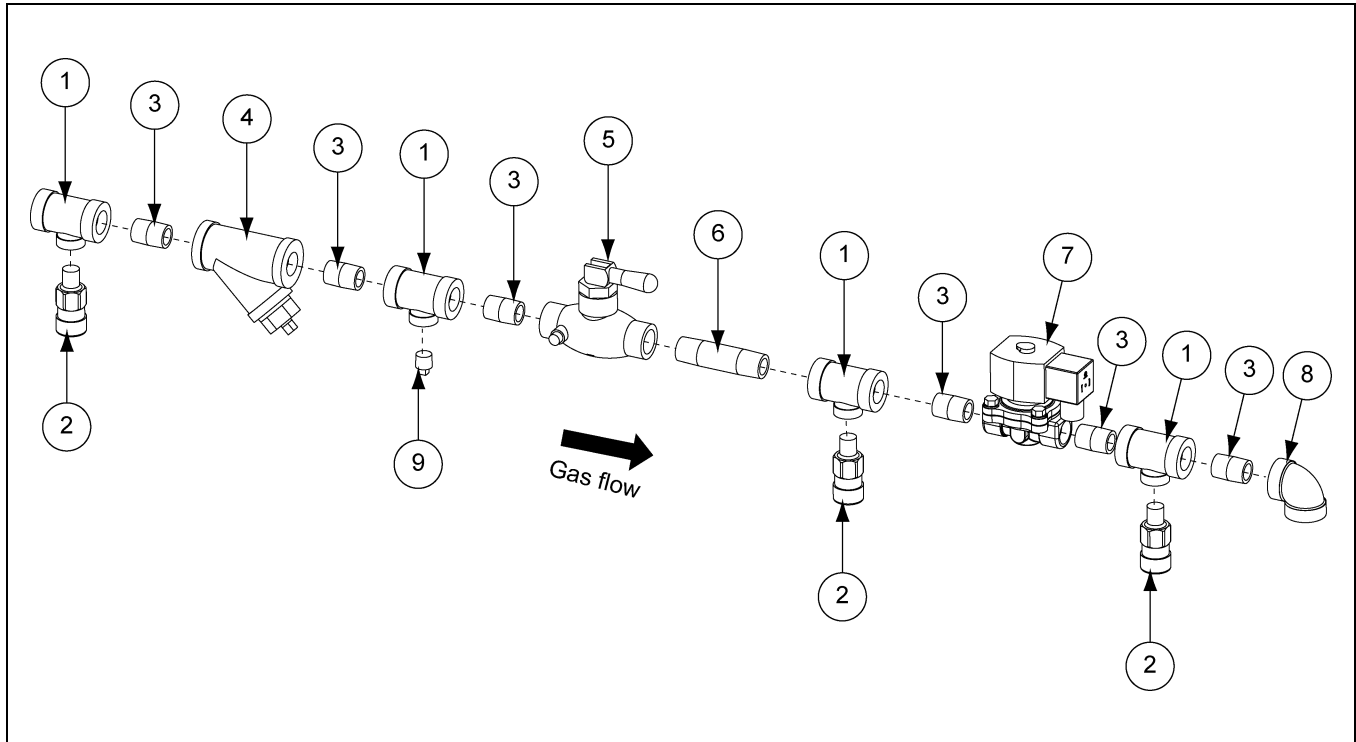
15 HP and 30 HP Centrifugal Housing



15 HP and 30 HP Centrifugal Housing Parts List

Ref #	Part #	Description	Unit
1	HF-8214	Heater Top Panel: 15 HP Canadian	15
1	HF-8215	Heater Top Panel: 30 HP Canadian	30
2	HF-7655	Downwind Housing Side: L.H. 10-15	15
2	HF-7784	Downwind Housing Side: L.H. 20-30/40	30
3	HF-7654	Downwind Housing Side: R.H. 10-15	15
3	HF-7783	Downwind Housing Side: R.H. 20-30/40	30
4	HF-8368	Heater Bottom Panel: 10-15 Canadian	15
4	HF-8369	Heater Bottom Panel: 20-30 Canadian	30
5	HF-7661	Downwind Housing Profile Top: 10-15	15
5	HF-7785	Downwind Housing Profile Top: 20-30	30
6	HF-7662	Downwind Housing Profile Bottom: 10-15	15
6	HF-7786	Downwind Housing Profile Bottom: 20-30	30
7	HF-8076	Down Profile Angle - Side CHD-15	15
7	HF-8071	Down Profile Angle - Side CHD-30	30
8	HF-7665	Burner Mounting Grip: Downwind Heater	All
9	HF-7856	Grip - Access Door Window	All
10	HF-7855	Access Panel Assembly Downwind Heater - Blank	All
11	HF-8361	Heater Air Diverter 10-15 HP	15
11	HF-8362	Heater Air Diverter 30-40 HP	30
12	HF-7711	Burner Assembly: Downwind 10-15 Deluxe 04	15
12	HF-7793	Burner Assembly: Downwind 20-40 Deluxe 04	30
N/S	HF-8361	Heater Air Diverter 10-15 HP	15
N/S	HF-8362	Heater Air Diverter 30-40 HP	30

LP Supply Pipe Train Assembly (HF-8203)



LP Supply Pipe Train Assembly (HF-8203) Parts List

Ref #	Part #	Description	Qty
1	HH-4846	Tee, 1/2" x 1/2" x 1/4" SCH 80 Black	4
2	031-1008-7	Valve, Pressure Relief 300 PSI	3
3	THH-4113	Nipple, 1/2" Close SCH 80 Black	6
4	HH-1251	Strainer, 1/2" Y 250# WOG SCH 80 Black	1
5	D03-0840	Valve, 1/2" NPT LP Quick Shut Off CSA	1
6	D07-0023	Nipple, 1/2" X 3" SCH 80 BLK	1
7	TFC-0100	Valve, 1/2" NPT Solenoid LP with Din Connector 5-250 PSI	1
8	HH-4847	Elbow, 1/2"-90° SCH 80 Black	1
9	007-1747-0	Plug, 1/4" NPT Square Black	1

NOTES

GSI Group, LLC Limited Warranty

The GSI Group, LLC ("GSI") warrants products which it manufactures to be free of defects in materials and workmanship under normal usage and conditions for a period of 12 months after sale to the original end-user or if a foreign sale, 14 months from arrival at port of discharge, whichever is earlier. The end-user's sole remedy (and GSI's only obligation) is to repair or replace, at GSI's option and expense, products that in GSI's judgment, contain a material defect in materials or workmanship. Expenses incurred by or on behalf of the end-user without prior written authorization from the GSI Warranty Group shall be the sole responsibility of the end-user.

Warranty Extensions:

The Limited Warranty period is extended for the following products:

	Product	Warranty Period	
AP Fans and Flooring	Performer Series Direct Drive Fan Motor	3 Years	* Warranty prorated from list price: 0 to 3 years - no cost to end-user 3 to 5 years - end-user pays 25% 5 to 7 years - end-user pays 50% 7 to 10 years - end-user pays 75%
	All Fiberglass Housings	Lifetime	
	All Fiberglass Propellers	Lifetime	
AP and Cumberland	Flex-Flo/Pan Feeding System Motors	2 Years	
Cumberland Feeding/Watering Systems	Feeder System Pan Assemblies	5 Years **	** Warranty prorated from list price: 0 to 3 years - no cost to end-user 3 to 5 years - end-user pays 50%
	Feed Tubes (1-3/4" and 2.00")	10 Years *	
	Centerless Augers	10 Years *	
	Watering Nipples	10 Years *	
Grain Systems	Grain Bin Structural Design	5 Years	
Grain Systems Farm Fans Zimmerman	Portable and Tower Dryers	2 Years	† Motors, burner components and moving parts not included. Portable dryer screens included. Tower dryer screens not included.
	Portable and Tower Dryer Frames and Internal Infrastructure †	5 Years	

GSI further warrants that the portable and tower dryer frame and basket, excluding all auger and auger drive components, shall be free from defects in materials for a period of time beginning on the twelfth (12th) month from the date of purchase and continuing until the sixtieth (60th) month from the date of purchase (extended warranty period). During the extended warranty period, GSI will replace the frame or basket components that prove to be defective under normal conditions of use without charge, excluding the labor, transportation, and/or shipping costs incurred in the performance of this extended warranty.

Conditions and Limitations:

THERE ARE NO WARRANTIES THAT EXTEND BEYOND THE LIMITED WARRANTY DESCRIPTION SET FORTH ABOVE. SPECIFICALLY, GSI MAKES NO FURTHER WARRANTY OF ANY KIND, EXPRESS OR IMPLIED, INCLUDING, WITHOUT LIMITATION, WARRANTIES OF MERCHANTABILITY OR FITNESS FOR A PARTICULAR PURPOSE OR USE IN CONNECTION WITH: (I) PRODUCT MANUFACTURED OR SOLD BY GSI OR (II) ANY ADVICE, INSTRUCTION, RECOMMENDATION OR SUGGESTION PROVIDED BY AN AGENT, REPRESENTATIVE OR EMPLOYEE OF GSI REGARDING OR RELATED TO THE CONFIGURATION, INSTALLATION, LAYOUT, SUITABILITY FOR A PARTICULAR PURPOSE, OR DESIGN OF SUCH PRODUCTS.

GSI shall not be liable for any direct, indirect, incidental or consequential damages, including, without limitation, loss of anticipated profits or benefits. The sole and exclusive remedy is set forth in the Limited Warranty, which shall not exceed the amount paid for the product purchased. This warranty is not transferable and applies only to the original end-user. GSI shall have no obligation or responsibility for any representations or warranties made by or on behalf of any dealer, agent or distributor.

GSI assumes no responsibility for claims resulting from construction defects or unauthorized modifications to products which it manufactured. Modifications to products not specifically delineated in the manual accompanying the equipment at initial sale will void the Limited Warranty.

This Limited Warranty shall not extend to products or parts which have been damaged by negligent use, misuse, alteration, accident or which have been improperly/inadequately maintained. This Limited Warranty extends solely to products manufactured by GSI.

Prior to installation, the end-user has the responsibility to comply with federal, state and local codes which apply to the location and installation of products manufactured or sold by GSI.

This equipment shall be installed in accordance with the current installation codes and applicable regulations, which should be carefully followed in all cases. Authorities having jurisdiction should be consulted before installations are made.



**1004 E. Illinois St.
Assumption, IL 62510-0020
Phone: 1-217-226-4421
Fax: 1-217-226-4420
www.gsiag.com**



GSI is a worldwide brand of AGCO Corporation.