

This kit is designed to allow the shutter assembly to be opened and closed manually. The intent of this installation is to prevent the shutter blades from fluttering when used with a heater unit in high static pressure / low airflow situations. It does not matter which side, left or right, the handle is mounted. This is dependent on how the fan/heater unit is mounted to the storage tank.

## Installation

# 1

Locate the mounting hole for the handle bracket on the Shutter Frame Top.

Centrifugal Shutters: Remove the rivet used to plug the hole (Figure 1).

Vane Axial Shutters: Remove the bolt holding the Catch Angle (Figure 2).

Locate the hole in the center of the Shutter Frame Top.

Centrifugal Shutters: Remove the rivet used to plug the hole (Figure 1).

Vane Axial Shutters: Drill a 3/16" hole approximately 1.00" from the edge of the frame (Figure 2).

*Note: This hole should be on the same side as the Linkage Bar (away from the fan).*

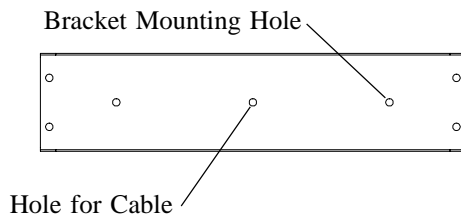


Figure 1  
Centrifugal Shutter Top

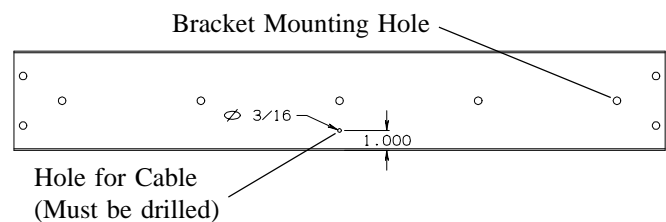


Figure 2  
Vane Axial Shutter Top

# 2

Attach the Bracket (F-7204) to the Shutter Frame using the 5/16" Slotted Bolt (S-6620) and the Whiz Nut (S-3611). Align the Bracket so the slots on the sides are angled up and away from the center of the shutter (Figure 3), and center the bracket on the hole.

***Do not tighten the nut and bolt at this time.***

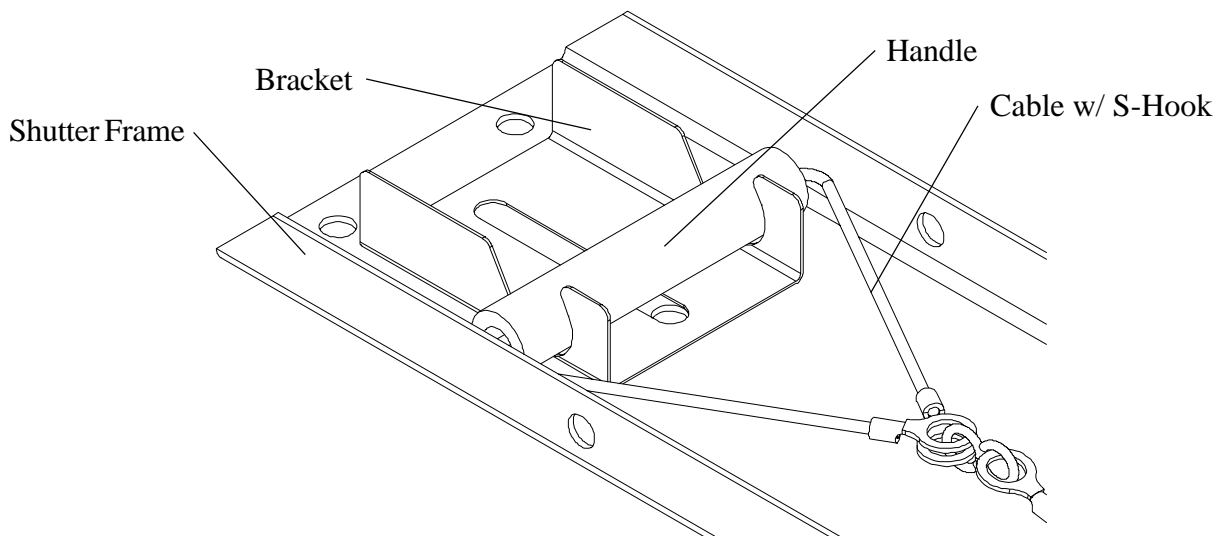


Figure 3  
Bracket Orientation

3

Place Handle Assembly (F-7207) into the slots of the bracket. Cable and S-Hook should be toward the center of the shutter (Figure 3).

4

Drill a 3/16" hole at the end of the linkage bar as shown in Figure 4.

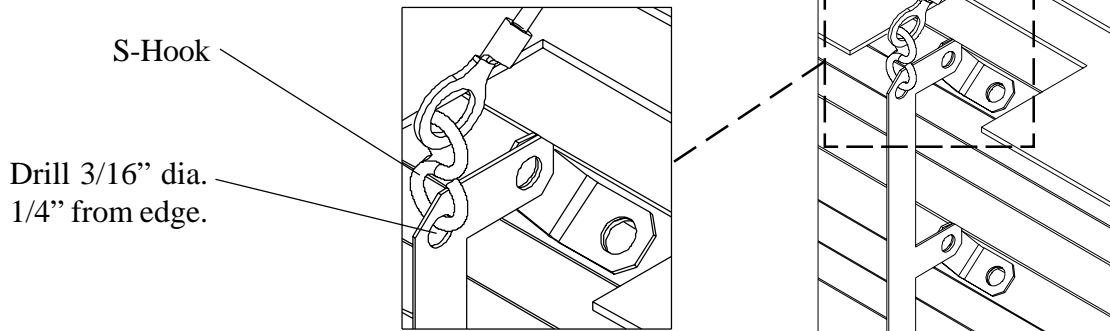


Figure 4  
Cable Assembly

5

Attach the Cable Assembly (F-7208) to the Linkage Bar of the shutter using the S-Hook provided (Figure 4).

6

Feed the Cable through the hole at the center of the frame that was located in Step 3.

7

Slide the Large Eyelet Terminal (HH-1805) onto the end of the cable.

**DO NOT CRIMP**

8

Prop the shutter vanes to the fully open position. Hook the Eyelet over the S-Hook of the Handle Assembly. Slide the cable through the Eyelet until all slack is removed. Mark and trim the cable to this point. Crimp the Eyelet to the end of the new cable length.

9

Crimp S-Hook on the Handle Assembly to the Eyelet of the Cable Assembly. Open and Close Shutters a few times using the Handle to check operation. Adjust the Bracket so the Shutter is fully open when the Handle is placed in the Bracket.

