

Peak Walk Around Assembly

Assembly and Installation Manual

PNEG-1721

Date: 10-21-09

GSI GROUP



PNEG-1721

Contents

Chapter 1 Safety	4
Safety Guidelines	4
Safety Instructions	5
Chapter 2 Parts List	6
Peak Walk Around Assembly (GT4-5061)	6
Chapter 3 Assembly and Installation Instructions	8
Peak Walk Around Assembly Instructions (GT4-5061)	8
Peak Walk Around Installation Instructions	15
Chapter 4 Warranty	17

Safety Guidelines

This manual contains information that is important for you, the owner/operator, to know and understand. This information relates to protecting **personal safety** and **preventing equipment problems**. It is the responsibility of the owner/operator to inform anyone operating or working in the area of this equipment of these safety guidelines. To help you recognize this information, we use the symbols that are defined below. Please read the manual and pay attention to these sections. Failure to read this manual and its safety instructions is a misuse of the equipment and may lead to serious injury or death.



This is the safety alert symbol. It is used to alert you to potential personal injury hazards. Obey all safety messages that follow this symbol to avoid possible injury or death.



DANGER indicates an imminently hazardous situation which, if not avoided, will result in death or serious injury.



WARNING indicates a potentially hazardous situation which, if not avoided, could result in death or serious injury.



CAUTION indicates a potentially hazardous situation which, if not avoided, may result in minor or moderate injury.



CAUTION used without the safety alert symbol indicates a potentially hazardous situation which, if not avoided, may result in property damage.



NOTE indicates information about the equipment that you should pay special attention.



WARNING! BE ALERT!

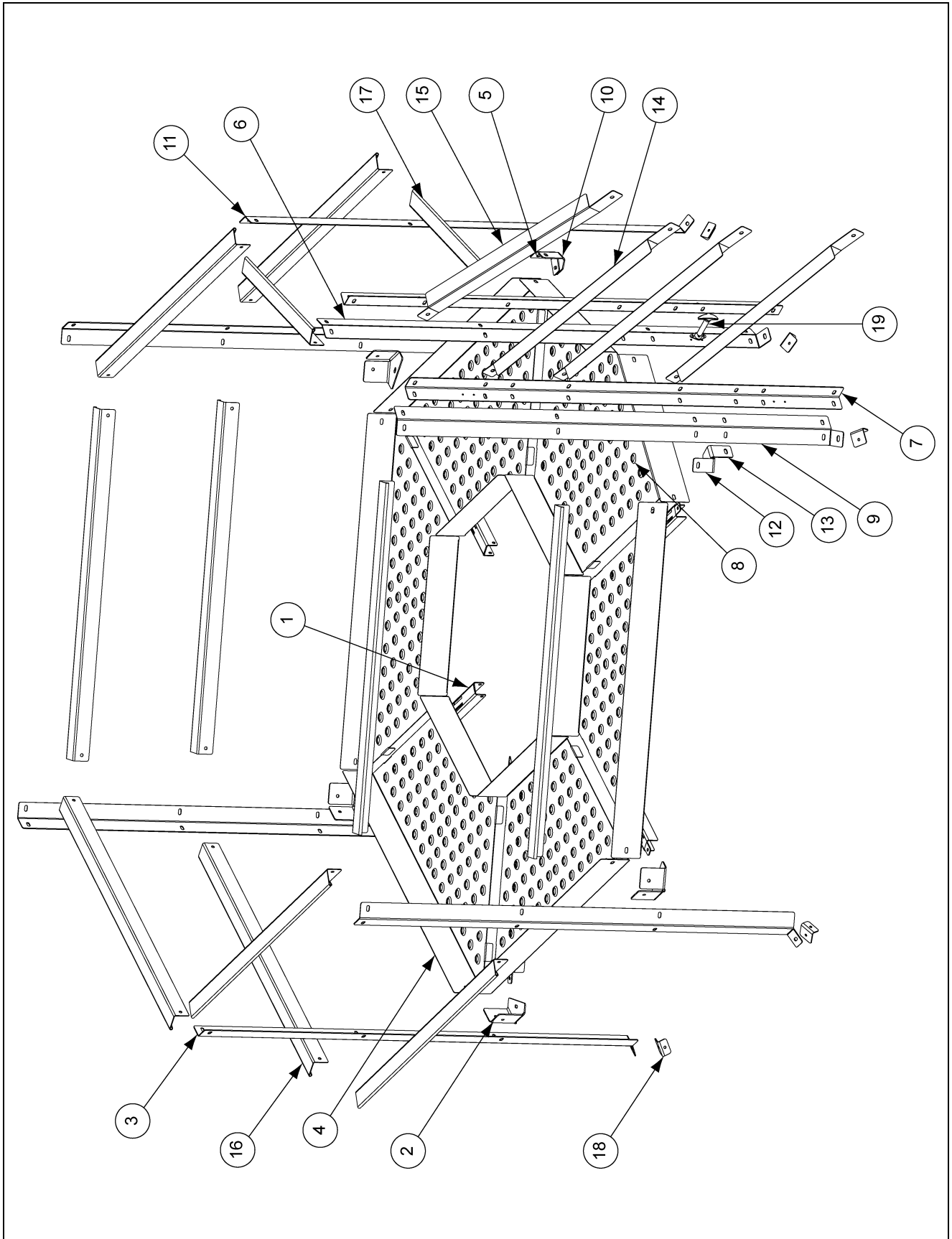
Personnel operating or working around electric fans should read this manual. This manual must be delivered with the equipment to its owner. Failure to read this manual and its safety instructions is a misuse of the equipment.

Safety Instructions

Our foremost concern is your safety and the safety of others associated with this equipment. We want to keep you as a customer. This manual is to help you understand safe operating procedures and some problems which may be encountered by the operator and other personnel.

As owner and/or operator, it is your responsibility to know what requirements, hazards and precautions exist, and to inform all personnel associated with the equipment or in the area. Safety precautions may be required from the personnel. Avoid any alterations to the equipment. Such alterations may produce a very dangerous situation where **SERIOUS INJURY** or **DEATH** may occur.

Peak Walk Around Assembly (GT4-5061)



Peak Walk Around Assembly (GT4-5061) Parts List

Ref #	Part #	Description	Qty
1	GT1-5133	Modular: Support, Horizontal Floor	6
2	GT1-5138	Modular: Bracket, Plank Connector	4
3	GT1-5136	Modular: Support, Vertical Roof Top Walk Around	4
4	GT1-5134	Plank, Roof Top Walk Around	5
5	GT1-5144	Modular: Bracket, Plank Connector	1
6	GT1-5141	Modular: Support, Vertical 30/30 Entry for Walk Around	1
7	GT1-5139	Modular: Support, Vertical for Transition	2
8	GT1-5135	Plank, Roof Top Entry Walk Around	1
9	GT1-5142	Modular: Support, Vertical 60/30 Entry for Walk Around	1
10	GT1-5143	Modular: Bracket, Plank Connector	1
11	GT1-5140	Modular: Support, Vertical 30/60 for Walk Around	1
12	GT1-5146	Modular: Bracket, Plank Connector, Entry	1
13	GT1-5147	Modular: Bracket, Plank Connector, Entry	1
14	GT1-5131	Modular: Support, Transition	3
15	GT1-5132	Modular: Support, Transition	1
16	GT1-5137	Modular: Handrail, Roof Top Walk Around, Long	10
17	GT1-5145	Modular: Handrail, Roof Top Walk Around, Short	2
18	GT1-5130	Modular: Bracket, Roof Top Walk Around Support	7
19	GT3-0106	Latch, Hood Horizontal Mount SS	1
N/S	S-396	Hex Nut 5/16"-18 YDP Grade 2	100
N/S	S-4275	Bolt, HHTB 5/16"-18 x 3/4" ZN Grade 5	100
N/S	S-2009	Screw, MS #10-24 x 5/8" OHP ZN Grade 2	2
N/S	S-2010	Nylock Nut #10-24 ZN Grade 2	2
N/S	S-8966	Bolt, HHCS 1/4"-20 x 2-1/4" ZN Grade 5	6
N/S	S-7215	Flange Nut 1/4"-20 ZN	6

Peak Walk Around Assembly Instructions (GT4-5061)

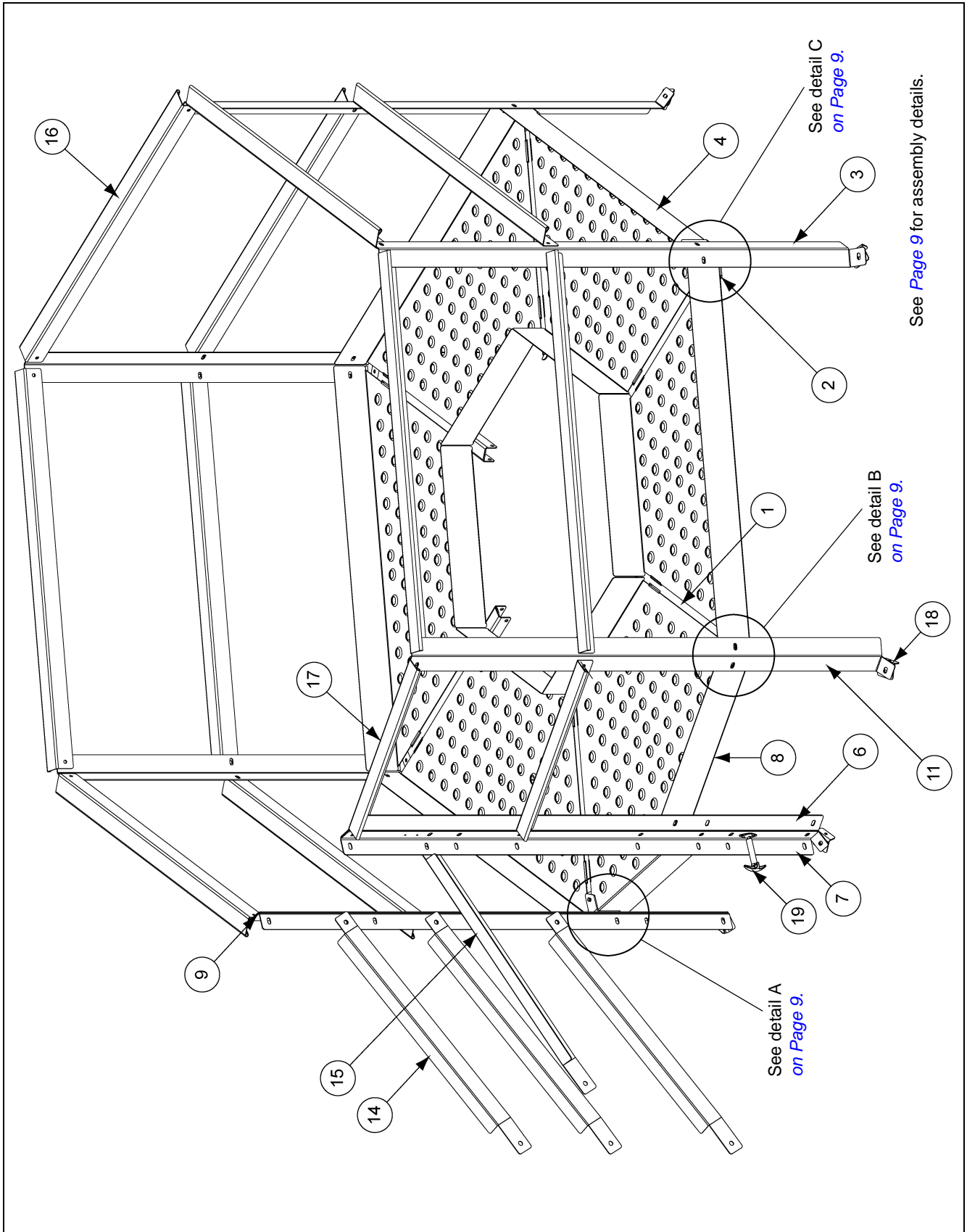


Figure 3A

Peak Walk Around Assembly Instructions (GT4-5061) (Continued)

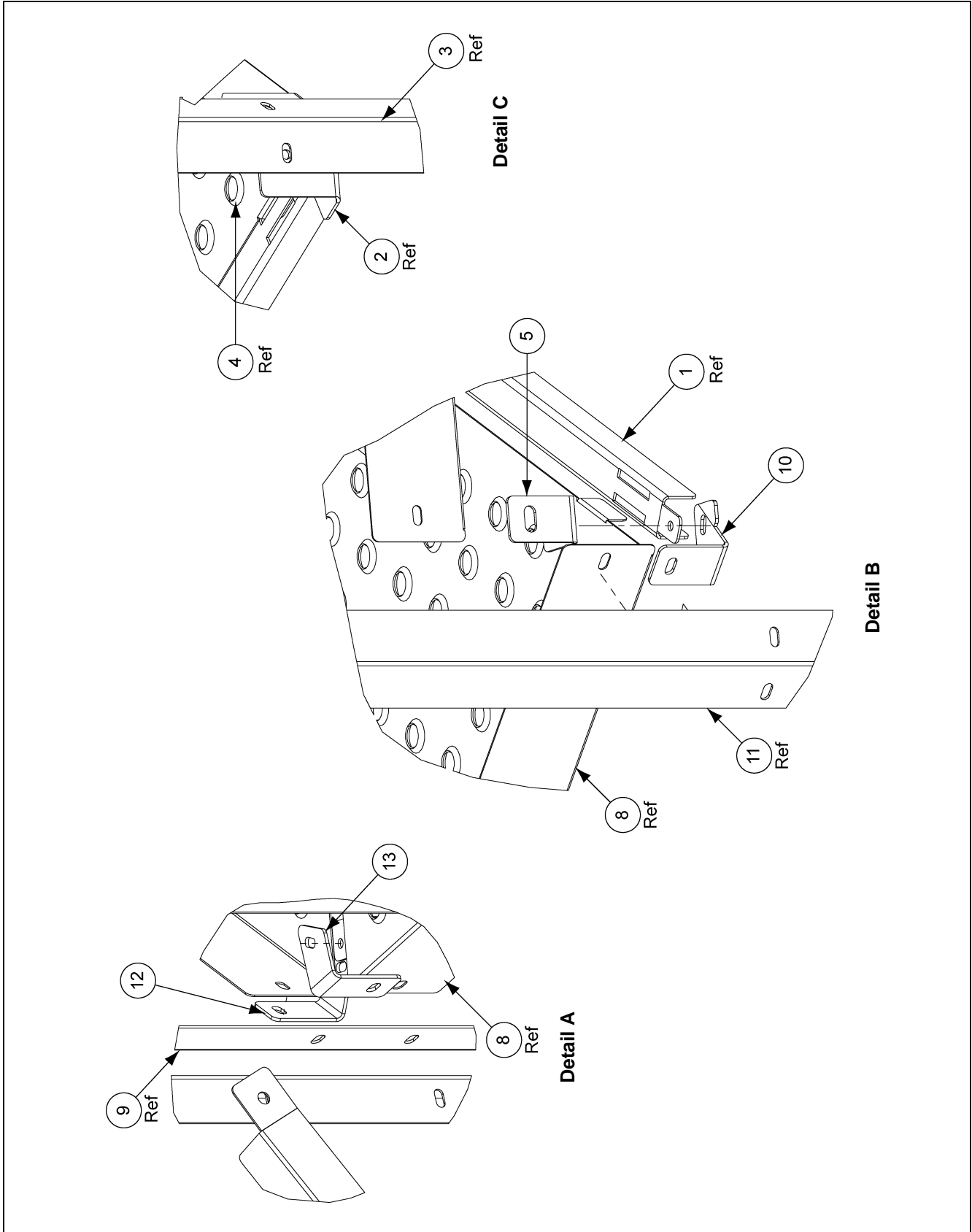


Figure 3B

Peak Walk Around Assembly Instructions (GT4-5061) (Continued)

1. Begin assembling vertical handrail supports with horizontal handrail supports.
2. Assemble vertical handrail support (GT1-5139) with the other vertical handrail support (GT1-5141) using 5/16" hardware such a way, that both the 3/16" holes align on each component.
(See Figure 3C.)

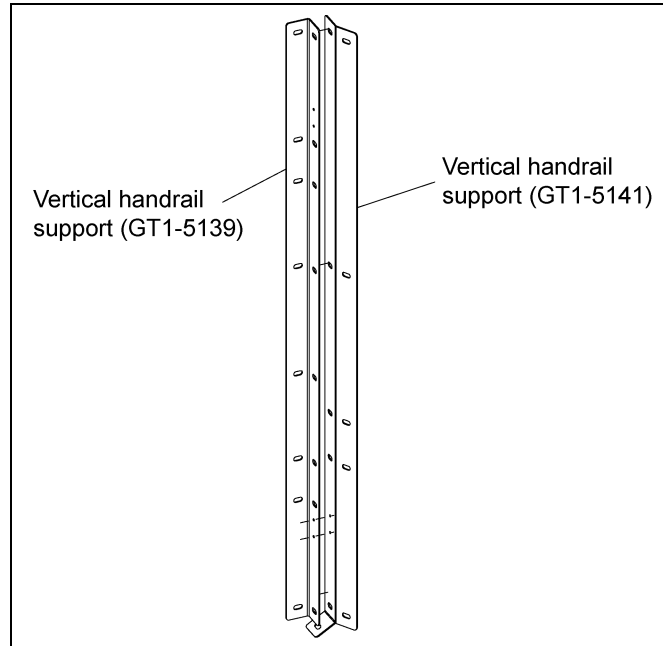


Figure 3C

3. Assemble vertical handrail support (GT1-5140), short horizontal handrail support (GT1-5145) using 5/16" hardware. (See Figure 3D.)

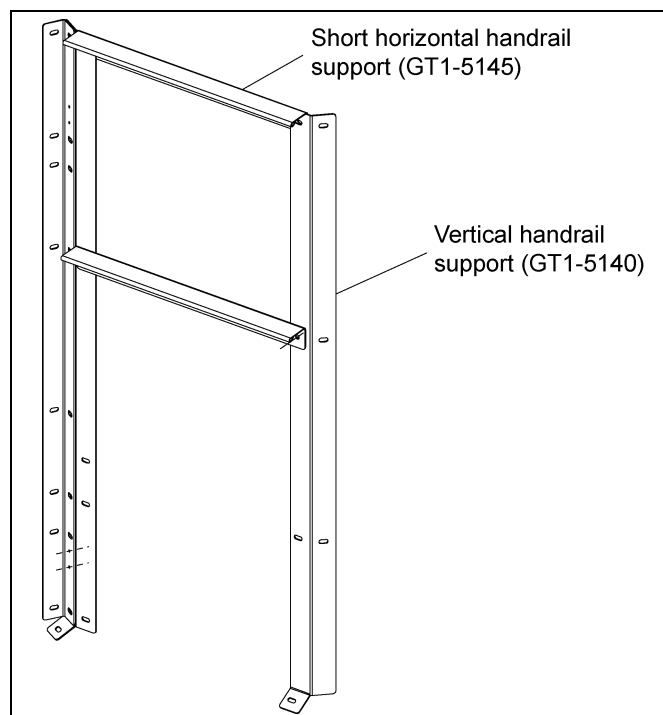


Figure 3D

3. Assembly and Installation Instructions

4. Assemble vertical handrail support (GT1-5136), horizontal handrail support (GT1-5137) using 5/16" hardware. (See Figure 3E.)

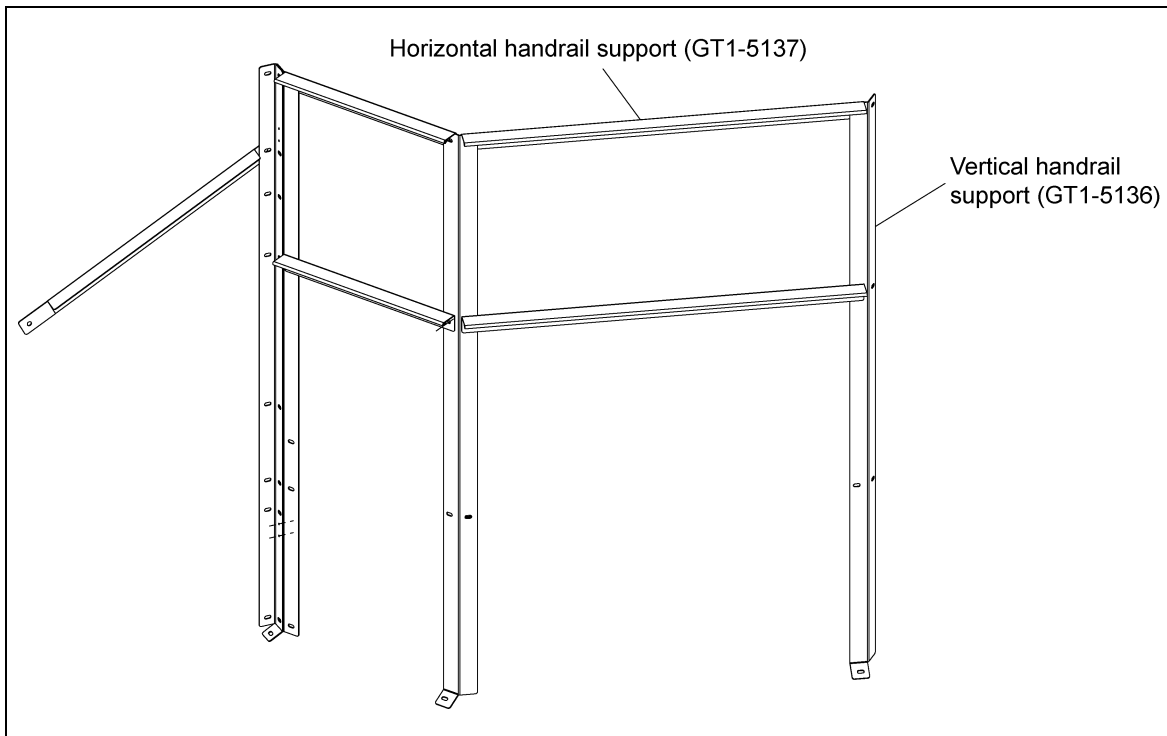


Figure 3E

5. Repeat the assembly [Step 4](#) for three (3) times.

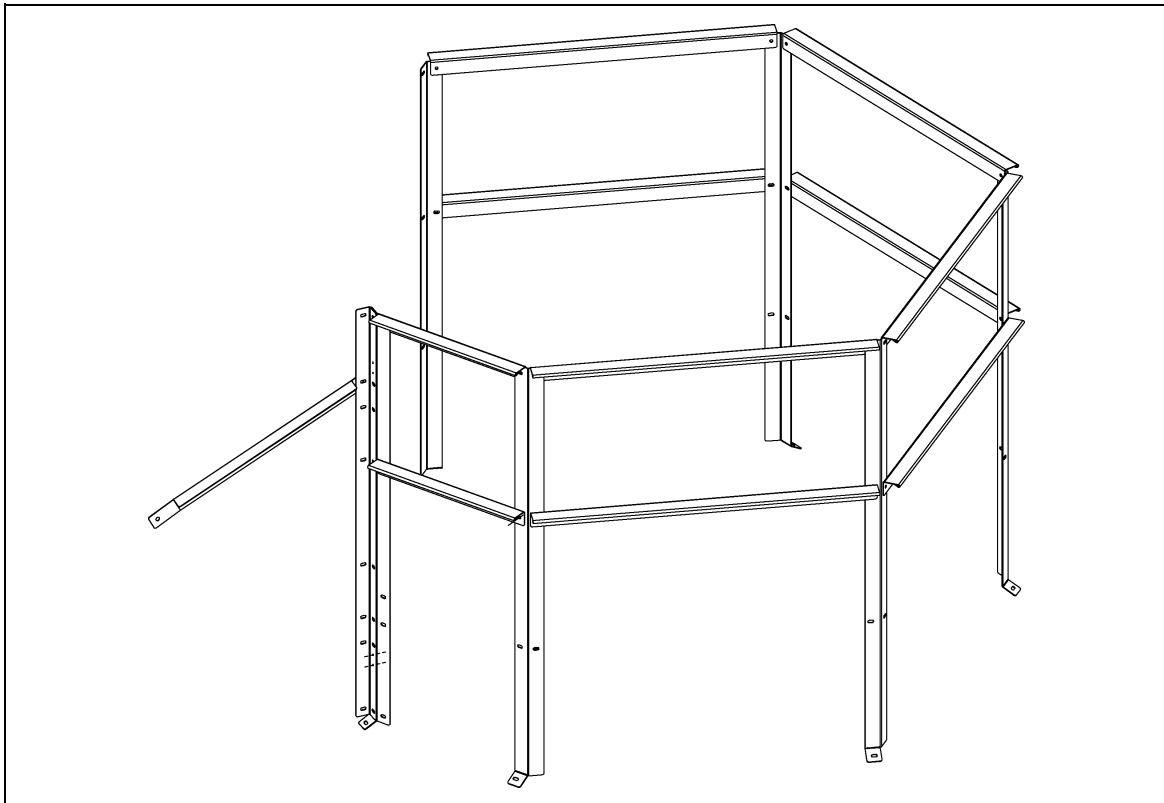


Figure 3F

3. Assembly and Installation Instructions

6. Assemble vertical support (GT1-5139) with vertical handrail support (GT1-5142). Assemble this assembly, with horizontal handrail support (GT1-5137) using 5/16" hardware. (See Figure 3G.)

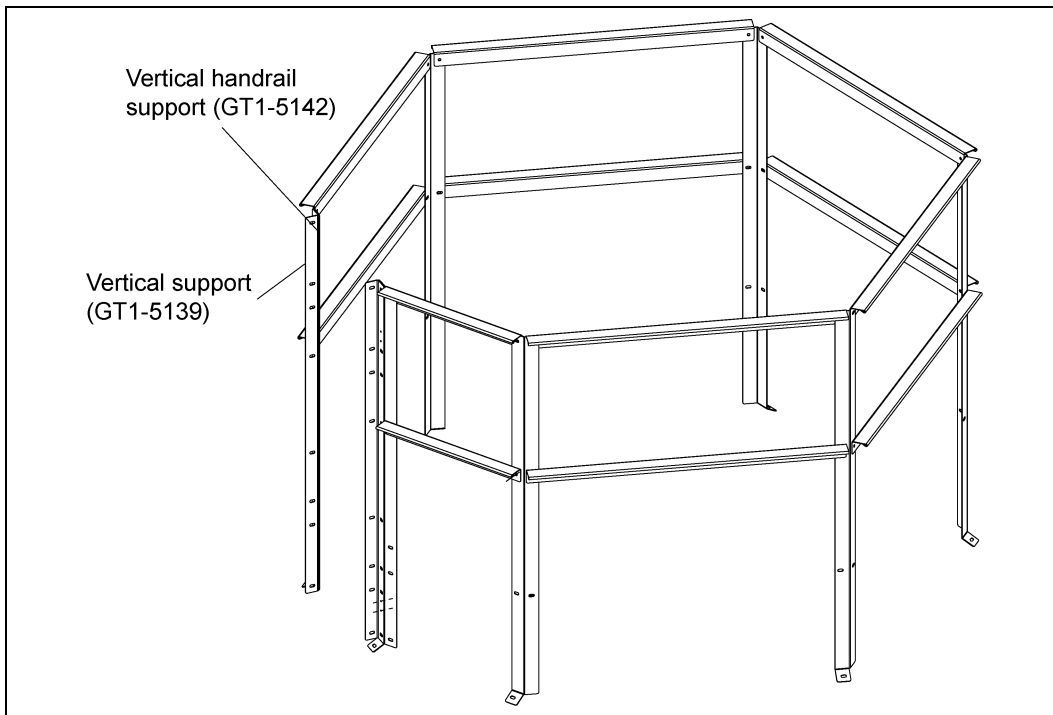


Figure 3G

7. Assemble catwalk entry plank (GT1-5135), brackets (GT1-5146, GT1-5147, GT1-5144, GT1-5143), horizontal plank supports (GT1-5133) using 5/16" hardware. (See Figure 3H below and Figure 3I on Page 13.)

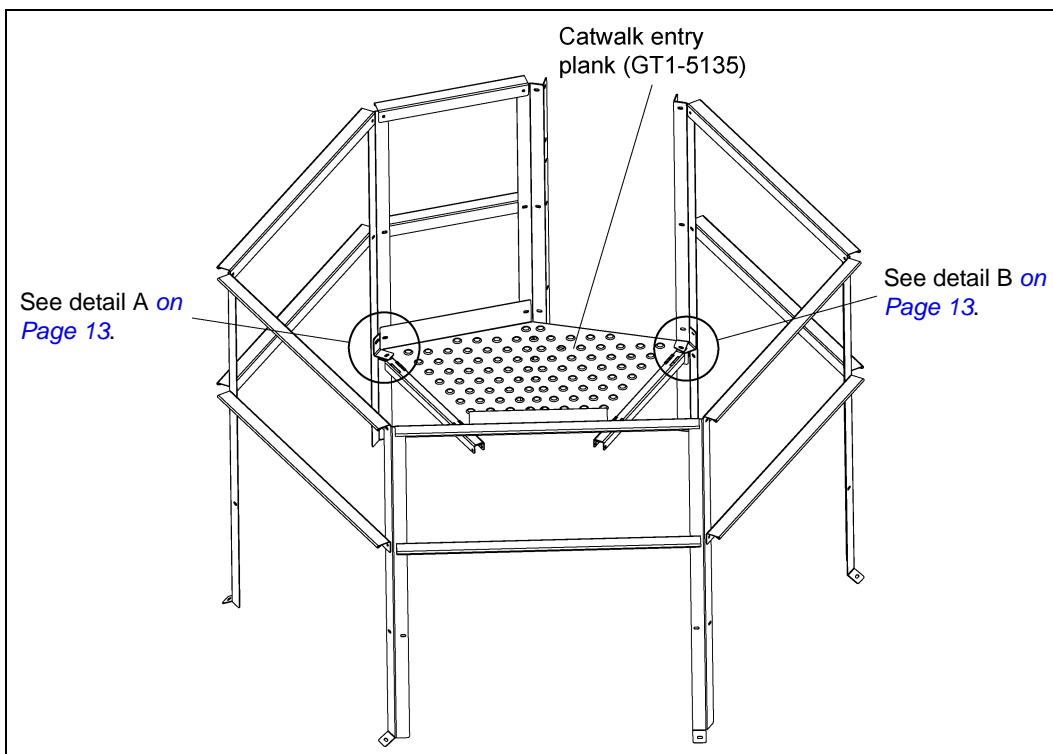


Figure 3H

3. Assembly and Installation Instructions

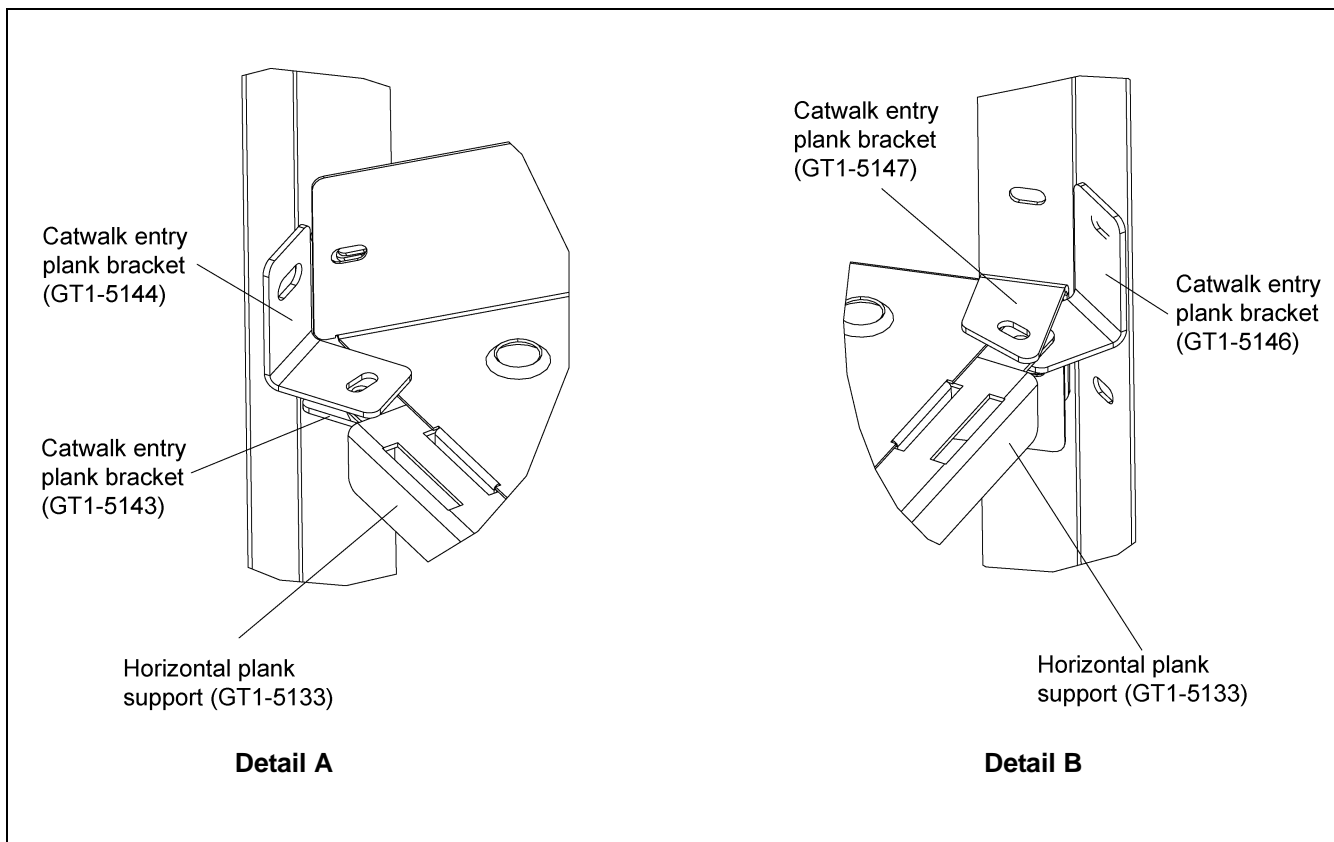


Figure 3I

8. Assemble catwalk plank (GT1-5134), bracket (GT1-5138), horizontal plank support (GT1-5133) using 5/16" hardware. (See Figure 3J.)

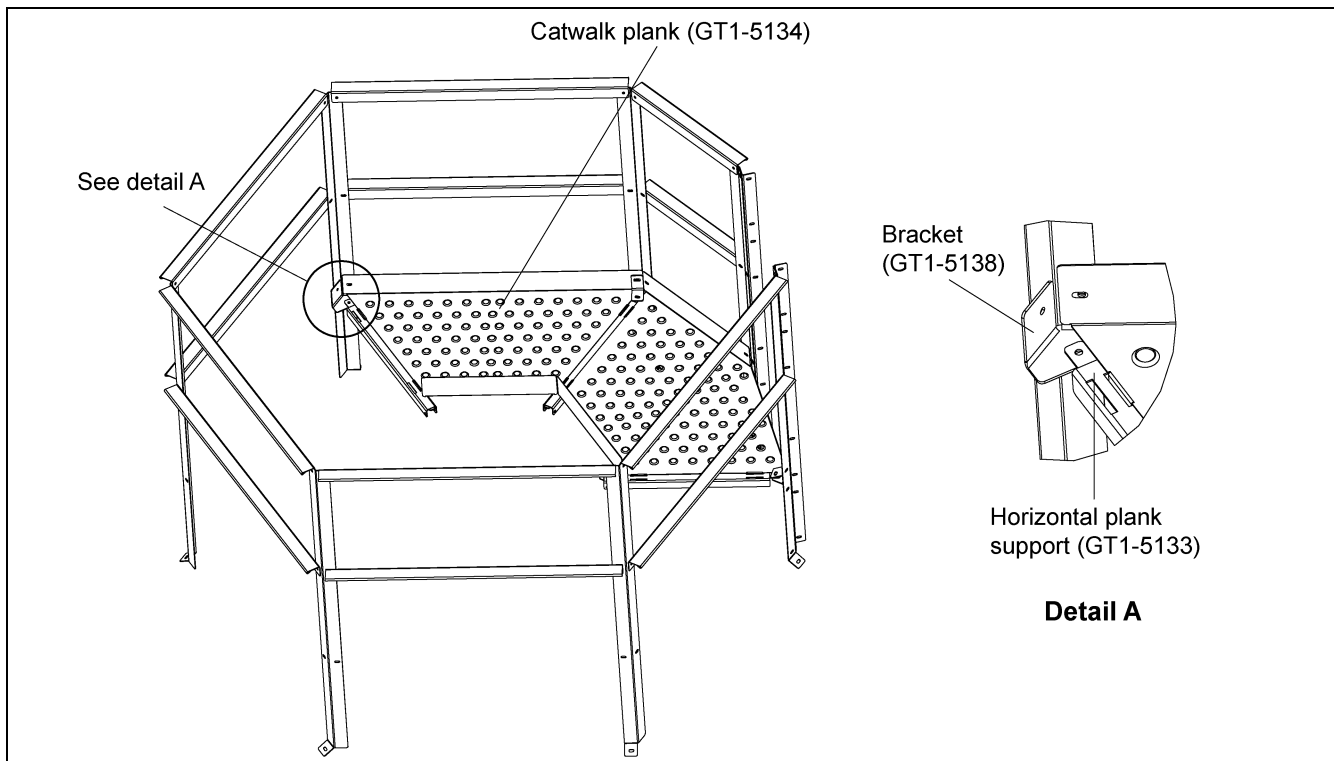


Figure 3J

3. Assembly and Installation Instructions

9. Repeat assembly [Step 8 on Page 13](#) for four (4) times.

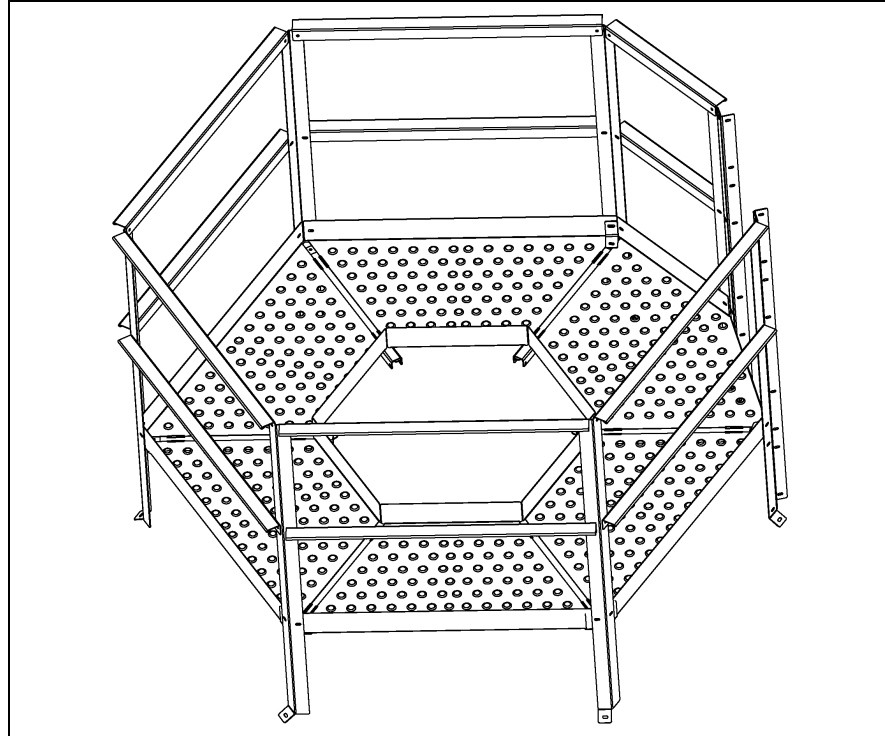


Figure 3K

10. Tighten all the hardware.

11. Assemble latch (GT3-0106) as shown using screws (S-2009) and nuts (S-2010). ([See Figure 3L.](#))

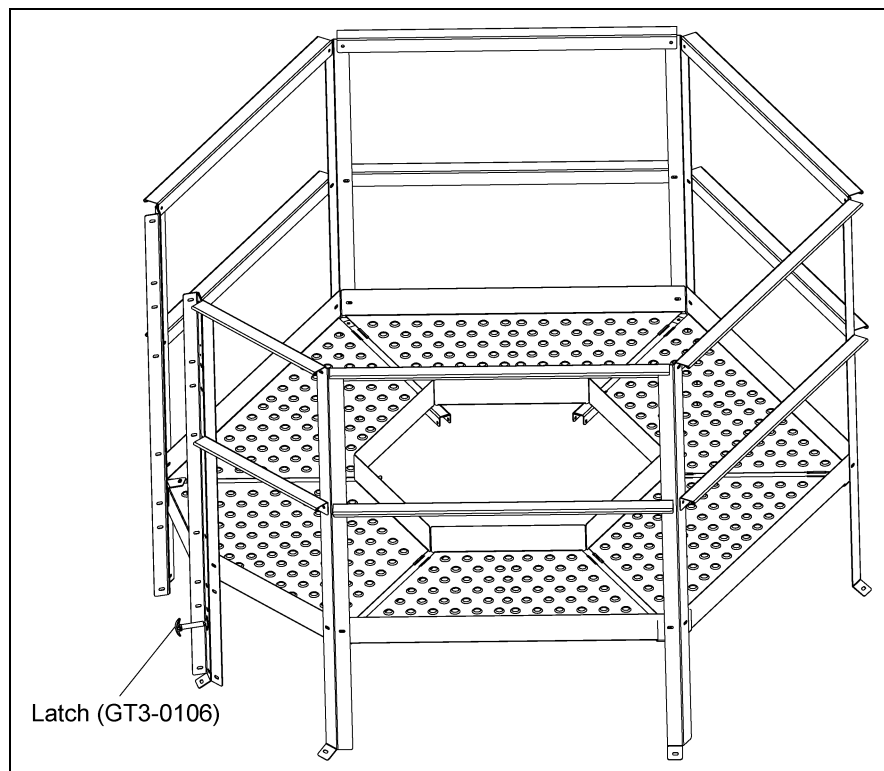


Figure 3L

Peak Walk Around Installation Instructions

1. Before installing the Peak Walk Around Assembly on the roof, assemble 7 ea. brackets (GT1-5130) on the roof sheet at the third hole from outside of the roof as shown in *Figure 3M*.

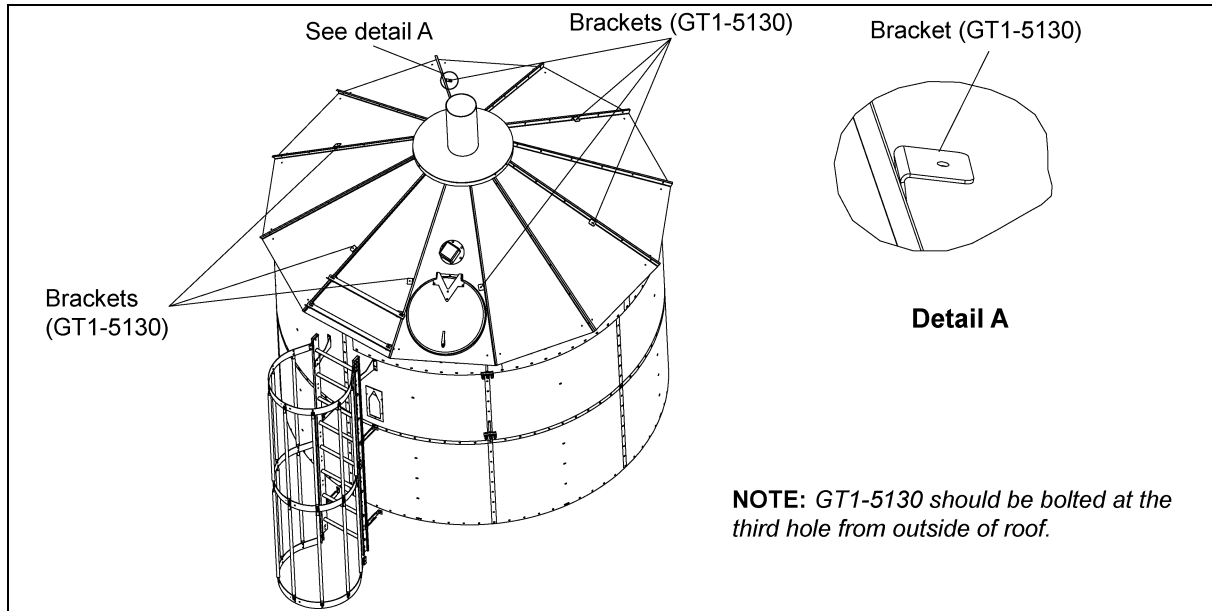


Figure 3M

2. Install the Peak Walk Around Assembly on the roof such a way, the entry would align with the ladder. (See *Figure 3N*.) Assemble transition supports (GT1-5131 and GT1-5132) using 5/16" hardware as shown in *Figure 3N*.

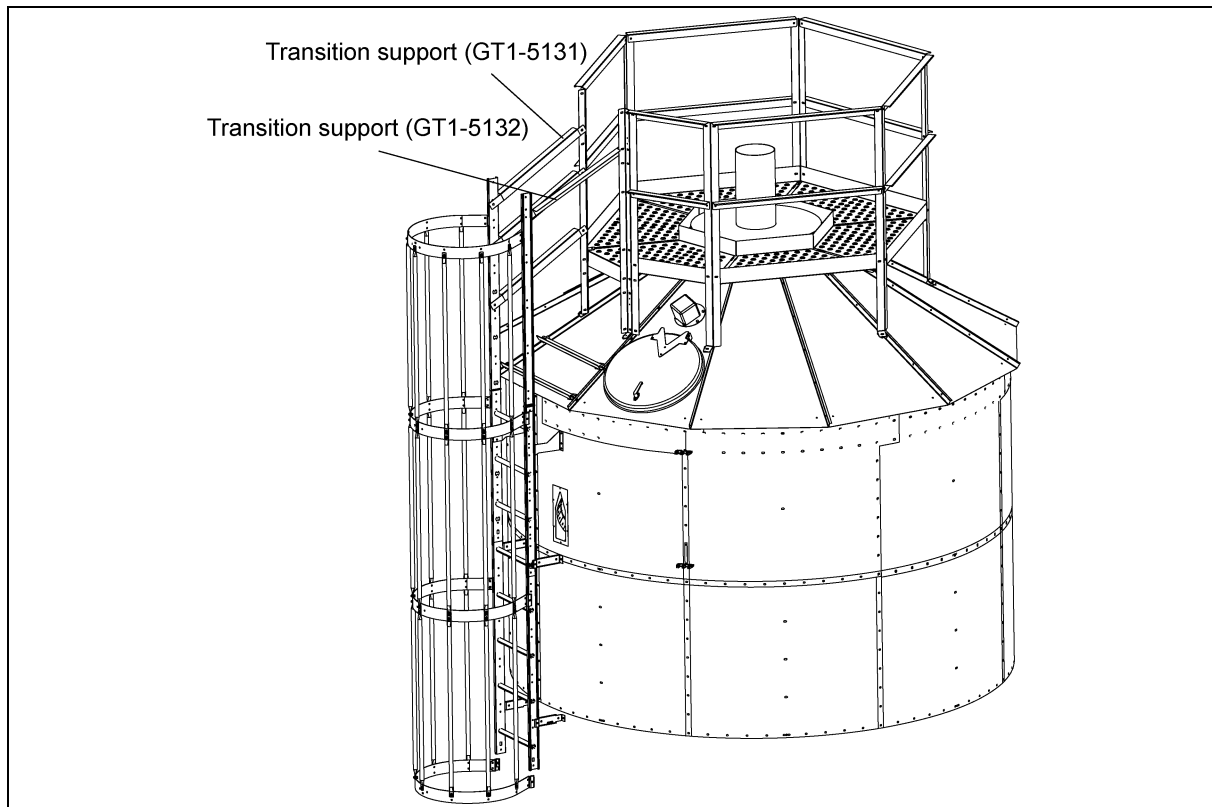


Figure 3N

3. Assembly and Installation Instructions

3. Fasten horizontal supports to the roof sheet using 1/4" hardware as shown in *Figure 30*.

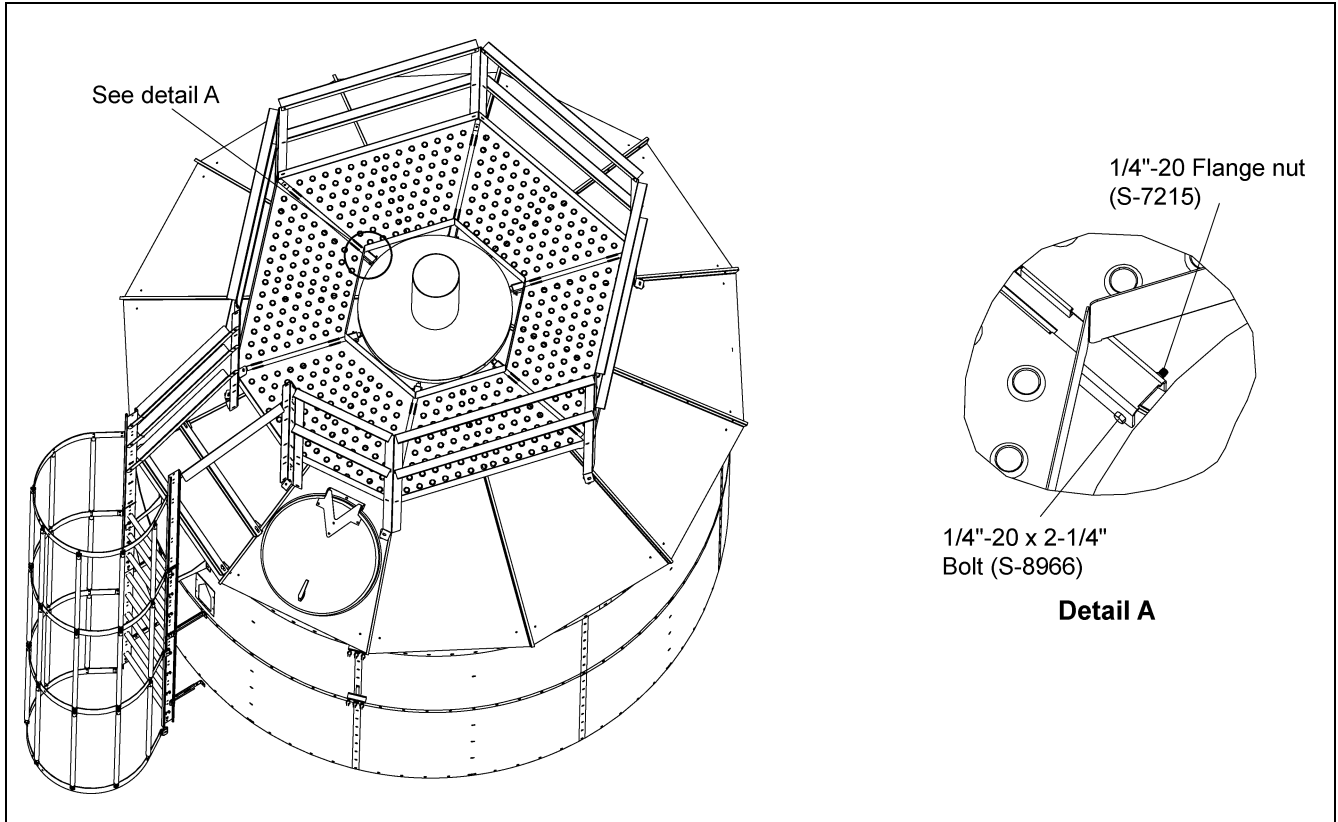


Figure 30

GSI Group, LLC Limited Warranty

The GSI Group, LLC ("GSI") warrants products which it manufactures to be free of defects in materials and workmanship under normal usage and conditions for a period of 12 months after sale to the original end-user or if a foreign sale, 14 months from arrival at port of discharge, whichever is earlier. The end-user's sole remedy (and GSI's only obligation) is to repair or replace, at GSI's option and expense, products that in GSI's judgment, contain a material defect in materials or workmanship. Expenses incurred by or on behalf of the end-user without prior written authorization from the GSI Warranty Group shall be the sole responsibility of the end-user.

Warranty Extensions:

The Limited Warranty period is extended for the following products:

	Product	Warranty Period	
AP Fans and Flooring	Performer Series Direct Drive Fan Motor	3 Years	* Warranty prorated from list price: 0 to 3 years - no cost to end-user 3 to 5 years - end-user pays 25% 5 to 7 years - end-user pays 50% 7 to 10 years - end-user pays 75%
	All Fiberglass Housings	Lifetime	
	All Fiberglass Propellers	Lifetime	
Cumberland Feeding/Watering Systems	Feeder System Pan Assemblies	5 Years **	** Warranty prorated from list price: 0 to 3 years - no cost to end-user 3 to 5 years - end-user pays 50%
	Feed Tubes (1-3/4" and 2.00")	10 Years *	
	Centerless Augers	10 Years *	
	Watering Nipples	10 Years *	
Grain Systems	Grain Bin Structural Design	5 Years	
Grain Systems Farm Fans Zimmerman	Portable and Tower Dryers	2 Years	† Motors, burner components and moving parts not included. Portable dryer screens included. Tower dryer screens not included.
	Portable and Tower Dryer Frames and Internal Infrastructure †	5 Years	

GSI further warrants that the portable and tower dryer frame and basket, excluding all auger and auger drive components, shall be free from defects in materials for a period of time beginning on the twelfth (12th) month from the date of purchase and continuing until the sixtieth (60th) month from the date of purchase (extended warranty period). During the extended warranty period, GSI will replace the frame or basket components that prove to be defective under normal conditions of use without charge, excluding the labor, transportation, and/or shipping costs incurred in the performance of this extended warranty.

Conditions and Limitations:

THERE ARE NO WARRANTIES THAT EXTEND BEYOND THE LIMITED WARRANTY DESCRIPTION SET FORTH ABOVE. SPECIFICALLY, GSI MAKES NO FURTHER WARRANTY OF ANY KIND, EXPRESS OR IMPLIED, INCLUDING, WITHOUT LIMITATION, WARRANTIES OF MERCHANTABILITY OR FITNESS FOR A PARTICULAR PURPOSE OR USE IN CONNECTION WITH: (I) PRODUCT MANUFACTURED OR SOLD BY GSI OR (II) ANY ADVICE, INSTRUCTION, RECOMMENDATION OR SUGGESTION PROVIDED BY AN AGENT, REPRESENTATIVE OR EMPLOYEE OF GSI REGARDING OR RELATED TO THE CONFIGURATION, INSTALLATION, LAYOUT, SUITABILITY FOR A PARTICULAR PURPOSE, OR DESIGN OF SUCH PRODUCTS.

GSI shall not be liable for any direct, indirect, incidental or consequential damages, including, without limitation, loss of anticipated profits or benefits. The sole and exclusive remedy is set forth in the Limited Warranty, which shall not exceed the amount paid for the product purchased. This warranty is not transferable and applies only to the original end-user. GSI shall have no obligation or responsibility for any representations or warranties made by or on behalf of any dealer, agent or distributor.

GSI assumes no responsibility for claims resulting from construction defects or unauthorized modifications to products which it manufactured. Modifications to products not specifically delineated in the manual accompanying the equipment at initial sale will void the Limited Warranty.

This Limited Warranty shall not extend to products or parts which have been damaged by negligent use, misuse, alteration, accident or which have been improperly/inadequately maintained. This Limited Warranty extends solely to products manufactured by GSI.

Prior to installation, the end-user has the responsibility to comply with federal, state and local codes which apply to the location and installation of products manufactured or sold by GSI.

This equipment shall be installed in accordance with the current installation codes and applicable regulations which should be carefully followed in all cases. Authorities having jurisdiction should be consulted before installations are made.

G S I G R O U P



GSI Group
1004 E. Illinois St.
Assumption, IL 62510-0020
Phone: 1-217-226-4421
Fax: 1-217-226-4420
www.gsiag.com