

Tower Dryer Ladder Installation Instructions

Installation Manual

PNEG-1754

Date: 02-03-11

G S I G R O U P



PNEG-1754

Contents

Chapter 1 Installation	4
Roof Assembly	4
Roof Hatch Platform Assembly	5
Ladder Assembly	8
Chapter 2 Parts List	21
12' Outside Catwalk Package (GT4-1039-12A)	22
18' Outside Catwalk Package (GT4-1039-18A)	27
24' Outside Catwalk Package (GT4-1039-24A)	32
30' Outside Catwalk Package (GT4-1039-30A)	37
12' Offset Platform Package (GT4-1047-12A)	42
18' Offset Platform Package (GT4-1047-18A)	46
24' Offset Platform Package (GT4-1047-24A)	50
30' Offset Platform Package (GT4-1047-30A)	54
12' Roof Hatch Platform (GT4-1051-12A)	58
18' Roof Hatch Platform (GT4-1051-18A)	62
24' Roof Hatch Platform (GT4-1051-24A)	66
30' Roof Hatch Platform (GT4-1051-30A)	70
12' Diameter Dryer Peak Walk Around Package (GT4-1212PW)	74
18' Diameter Dryer Peak Walk Around Package (GT4-1218PW)	75
24' Diameter Dryer Peak Walk Around Package (GT4-1224PW)	76
30' Diameter Dryer Peak Walk Around Package (GT4-1230PW)	77
Chapter 3 Warranty	79

1. Installation

Roof Assembly

1. Assemble the roof assembly as shown. Assemble the peak walk around assembly in such a way that its entrance will be aligned with the roof section, left of the manhole cover section on the roof.
(See Figure 1A.)

NOTE: All illustrations are for a 12' diameter dryer, but the same procedure is applicable for other dryer dimensions.

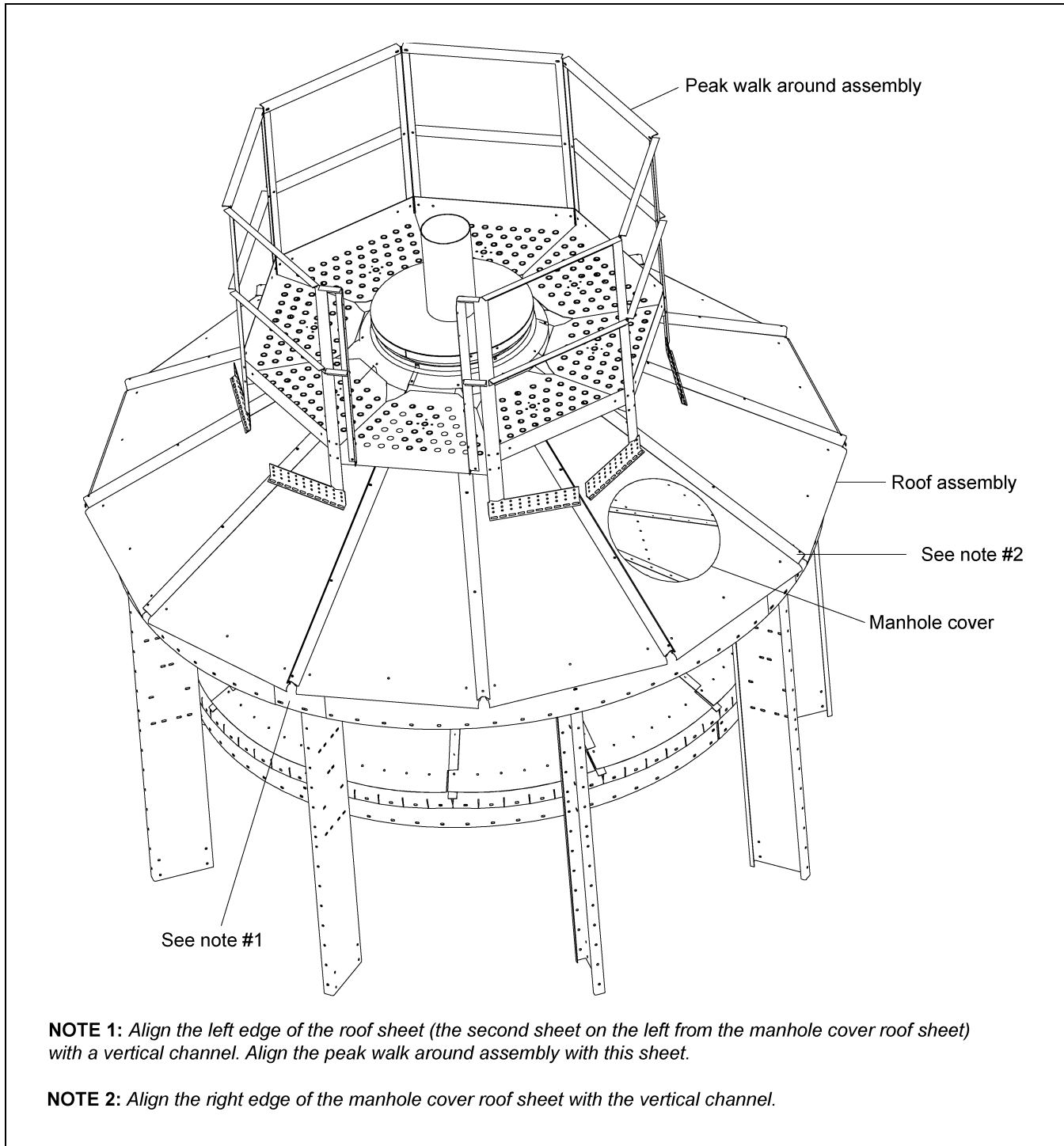


Figure 1A

Roof Hatch Platform Assembly

1. Assemble the roof hatch platform (GT4-1051-XXA), as shown in [Figure 1B](#), in such a way that one section of the roof hatch platform will be aligned with the peak walk around entrance and the other section will be aligned with the manhole cover section of the roof. Make sure the catwalk upper clips (GT1-0162) are assembled on the fourth hole from the top on the vertical channel, as shown in [Figures 1C and 1D on Page 6](#).

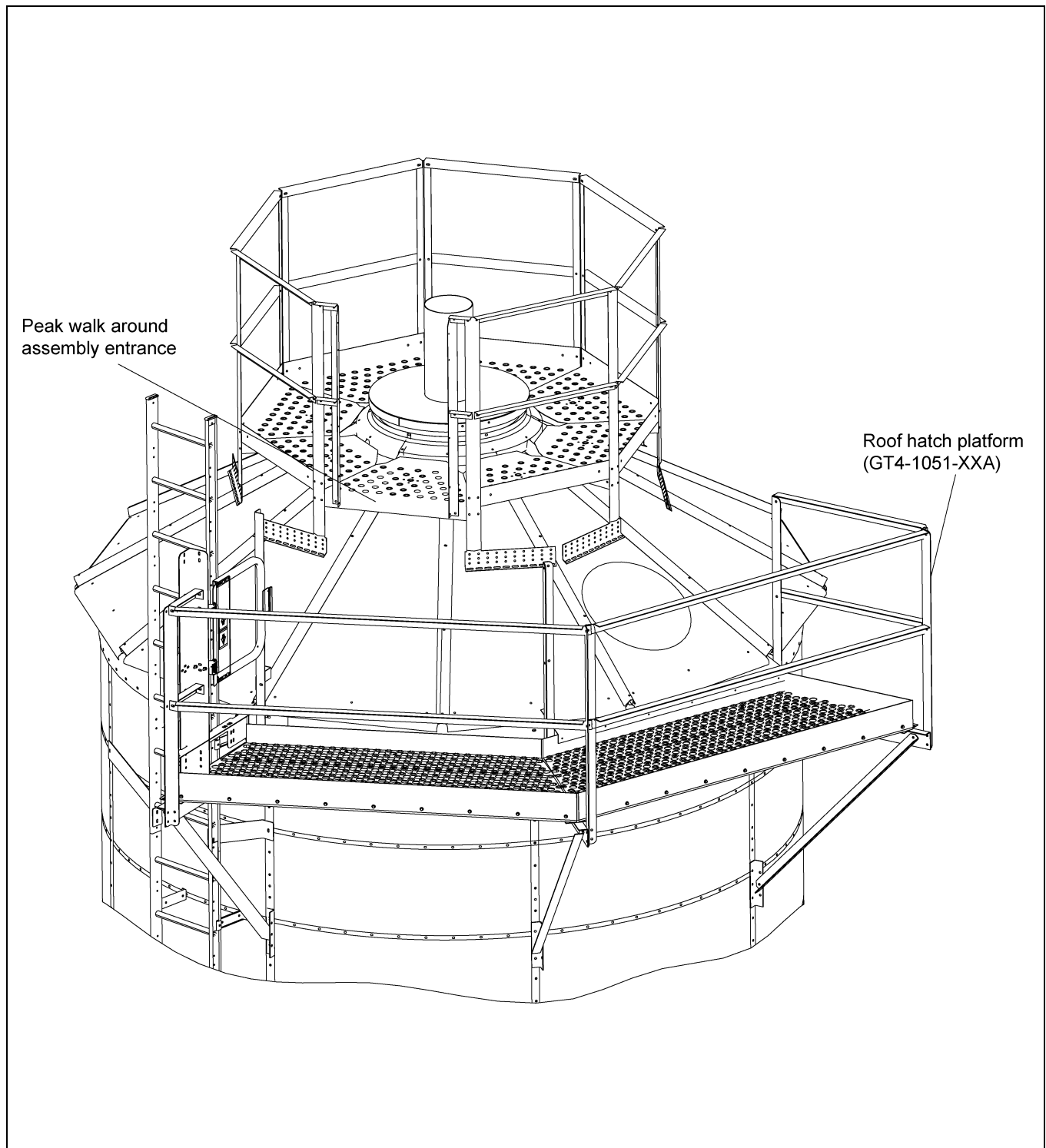


Figure 1B

Roof Hatch Platform Assembly (Continued)

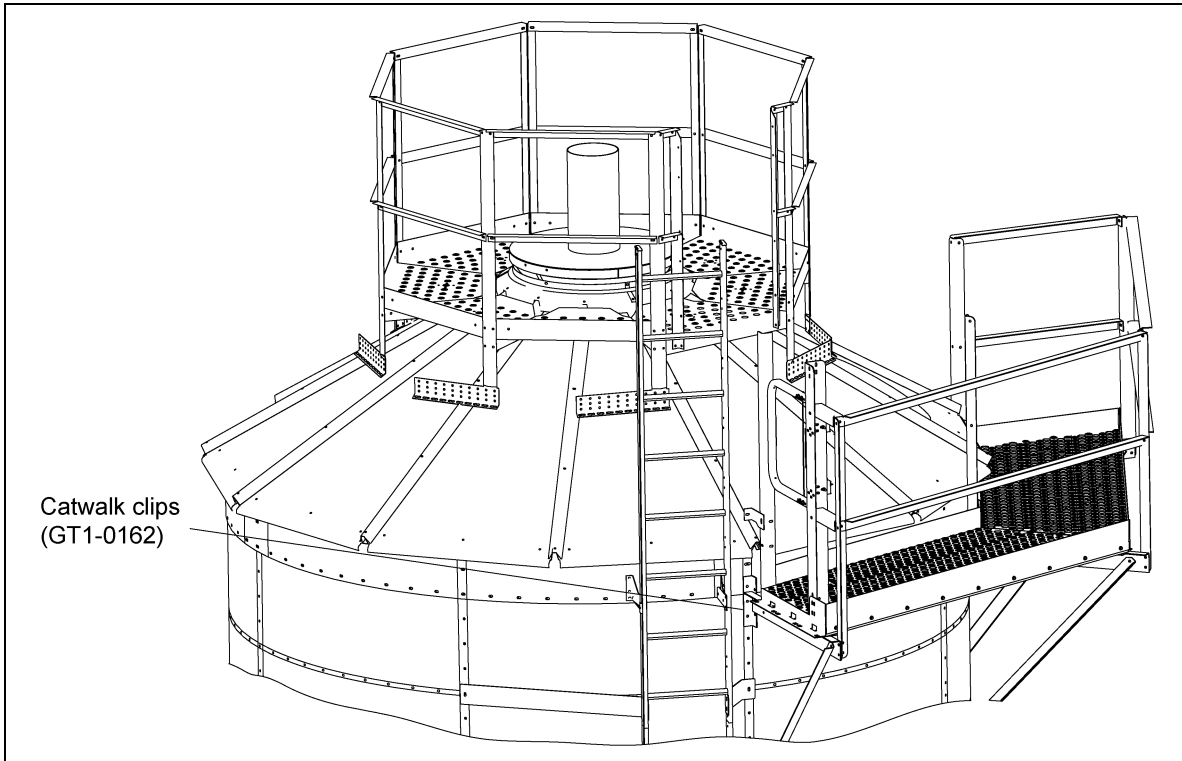


Figure 1C

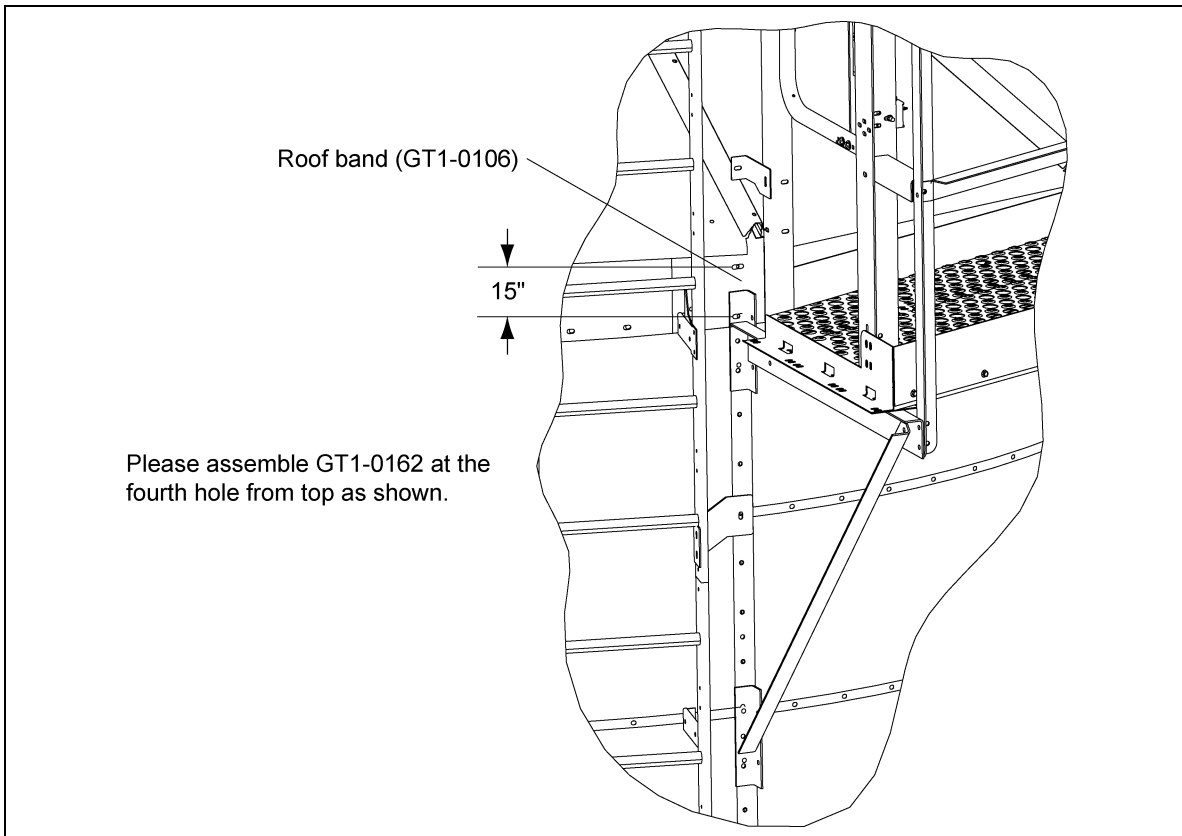


Figure 1D

Roof Hatch Platform Assembly (Continued)

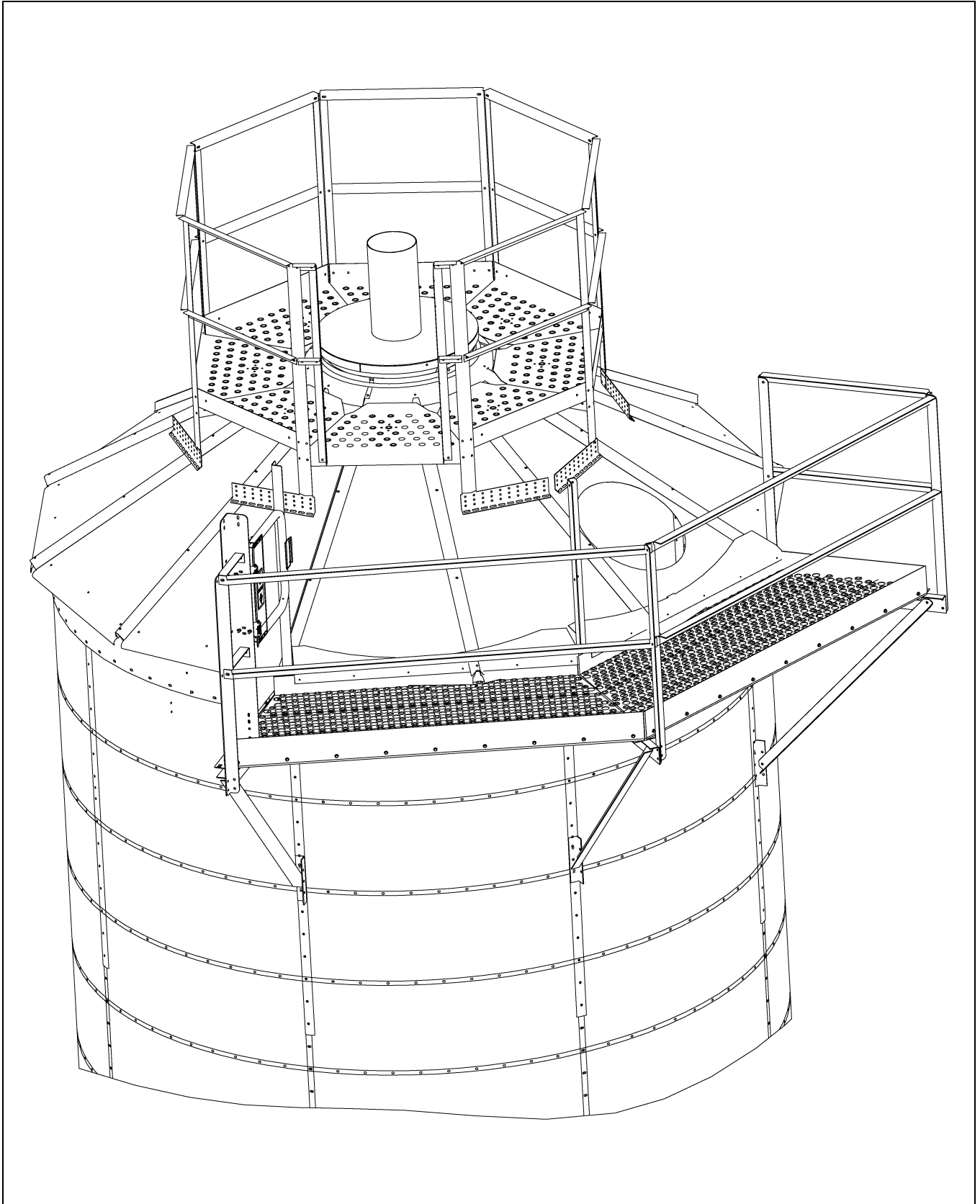


Figure 1E

1. Installation

Ladder Assembly

1. For the ladder assembly (*Figure 1F*), first assemble the ladder starting brackets (LDR-4346 and LDR-4347) at the roof band. Assemble the right hand ladder starting bracket (LDR-4347) at the first set of holes on the left from where two (2) roof bands overlap as shown in *Figure 1F*. Assemble the left hand ladder starting bracket (LDR-4346) at the set of holes, which are about 17" left of the first set of holes as shown in *Figure 1F*. Attach the ladder stiffeners (GT1-0156L-XX and GT1-0156R-XX) to the vertical channels and assemble the ladder with these brackets as shown in *Figure 1G on Page 9*. Make sure the ladder will extend up 6' from roof hatch platform door. Also, make sure the ladder rung will be aligned with the roof hatch platform door.

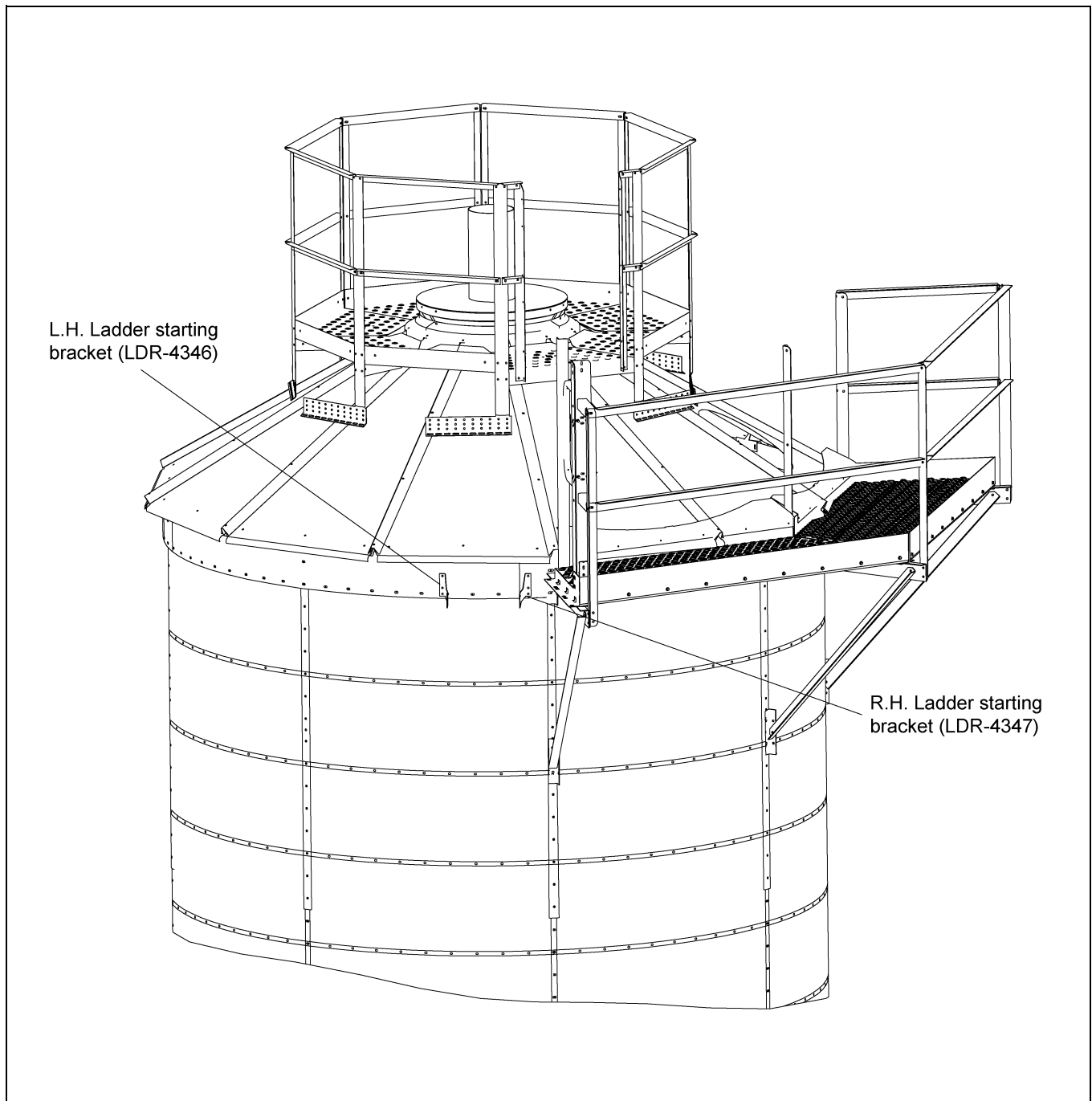


Figure 1F

Ladder Assembly (Continued)

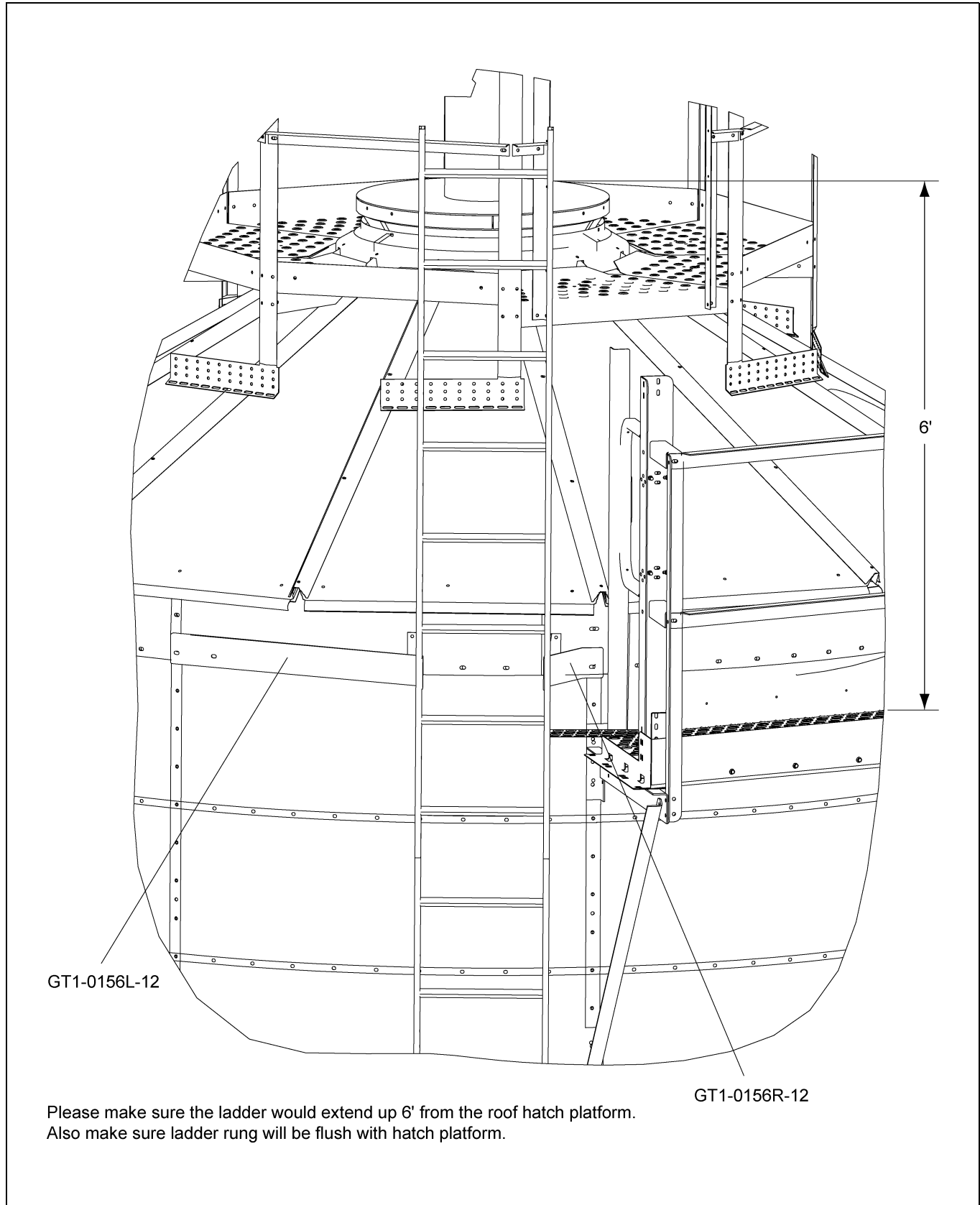


Figure 1G

1. Installation

Ladder Assembly (Continued)

2. Assemble the ladder using ladder stiffeners (GT1-0156L-XX and GT1-0156R-XX) as shown in [Figure 1I on Page 11](#). Make sure the ladder will extend up by 6' from catwalk floor. Use brackets (GT1-1531-XX and GT1-1532-XX) to attach the ladder to the catwalk as shown in [Figure 1I on Page 11](#). Use one set of ladder brackets (LDR-4314) to attach the ladder to the dryer wall, where perforated sheets overlap as shown in [Figure 1I on Page 11](#).

As a rule of thumb, use one set ladder standoffs on every other overlap, unless otherwise shown. Use one set of ladder stiffeners (GT1-0156L-XX and GT1-0156R-XX) per 4' ladder section and two (2) per 8' ladder section.

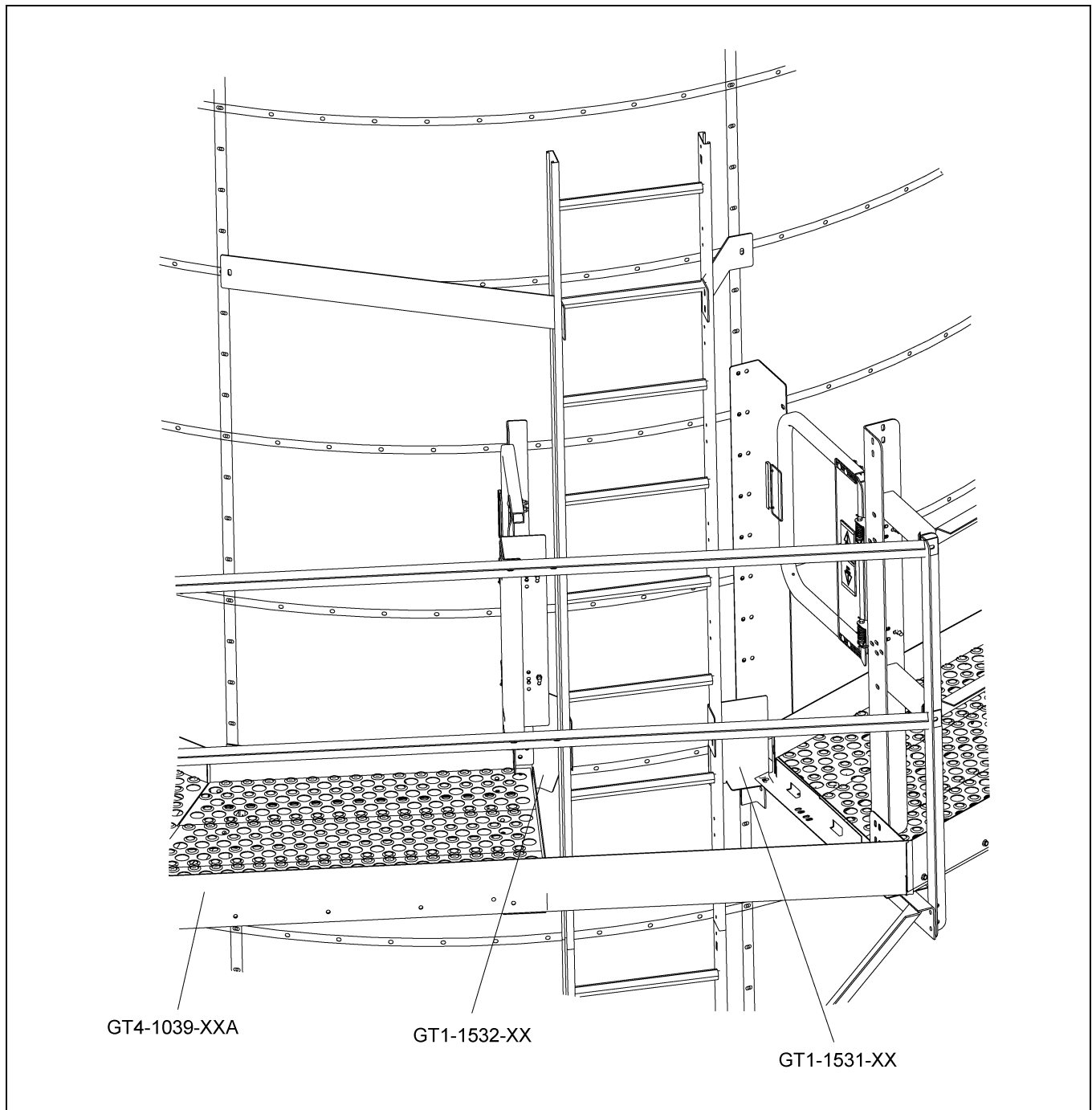


Figure 1H

Ladder Assembly (Continued)

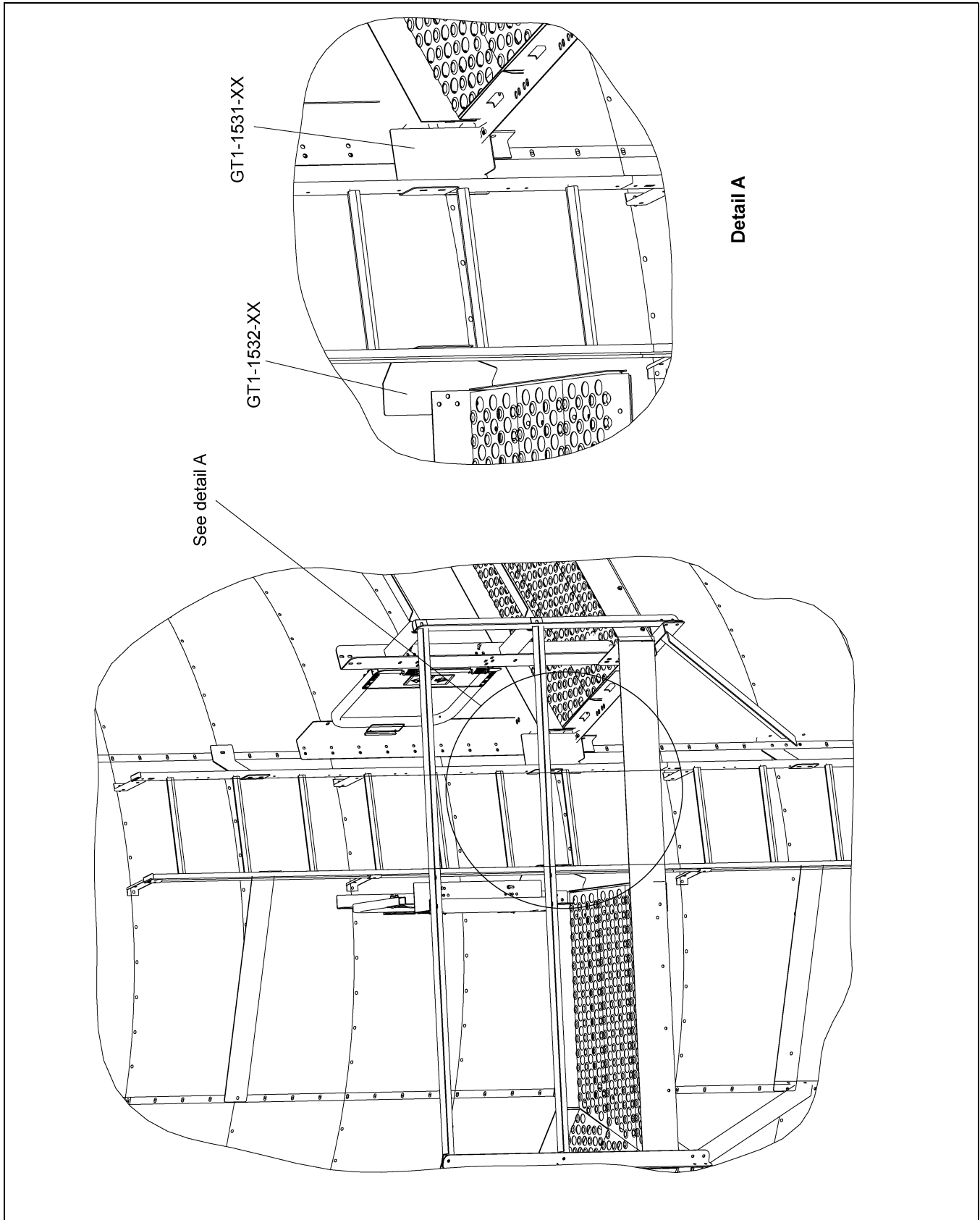


Figure 11

Ladder Assembly (Continued)

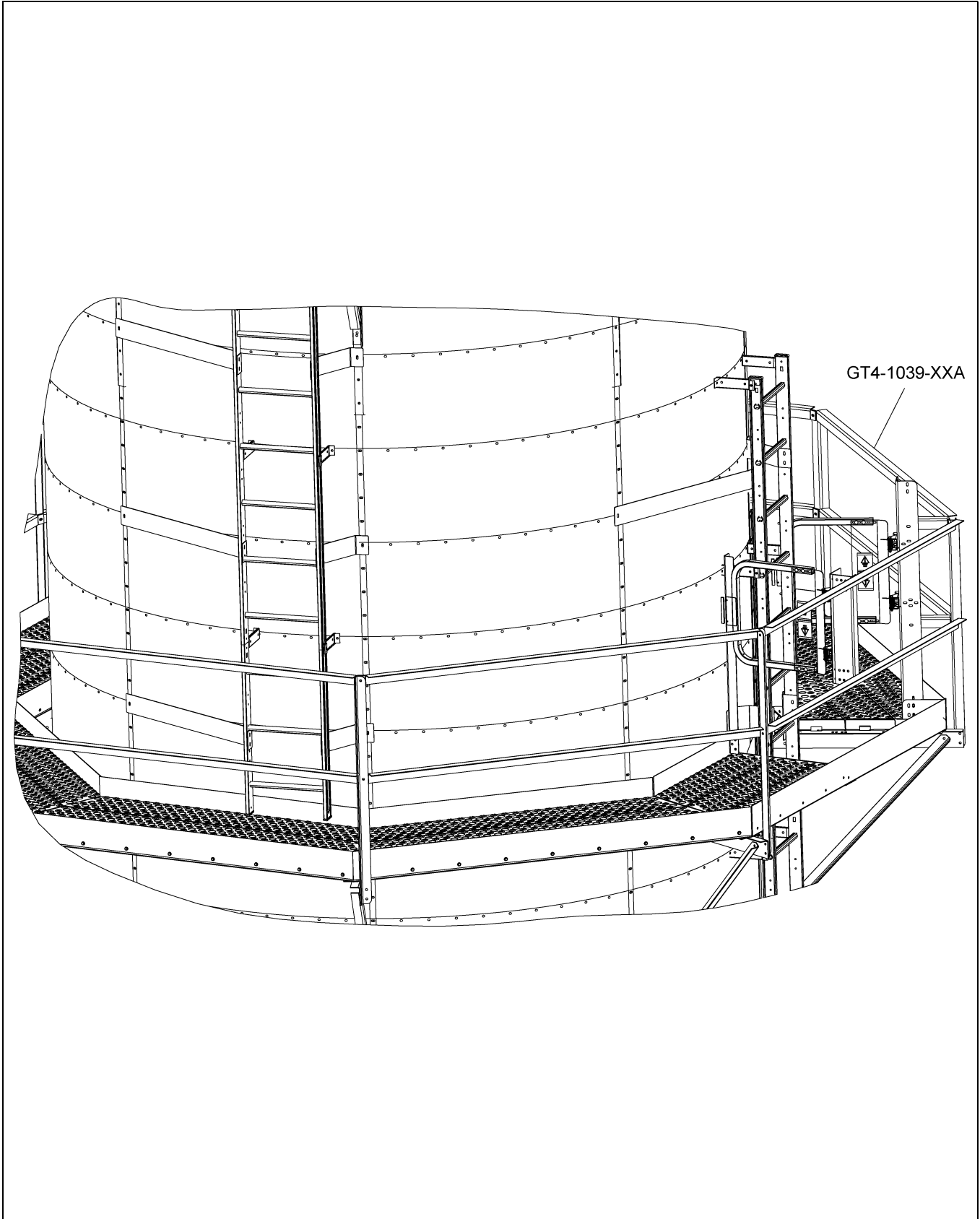


Figure 1J

Ladder Assembly (Continued)

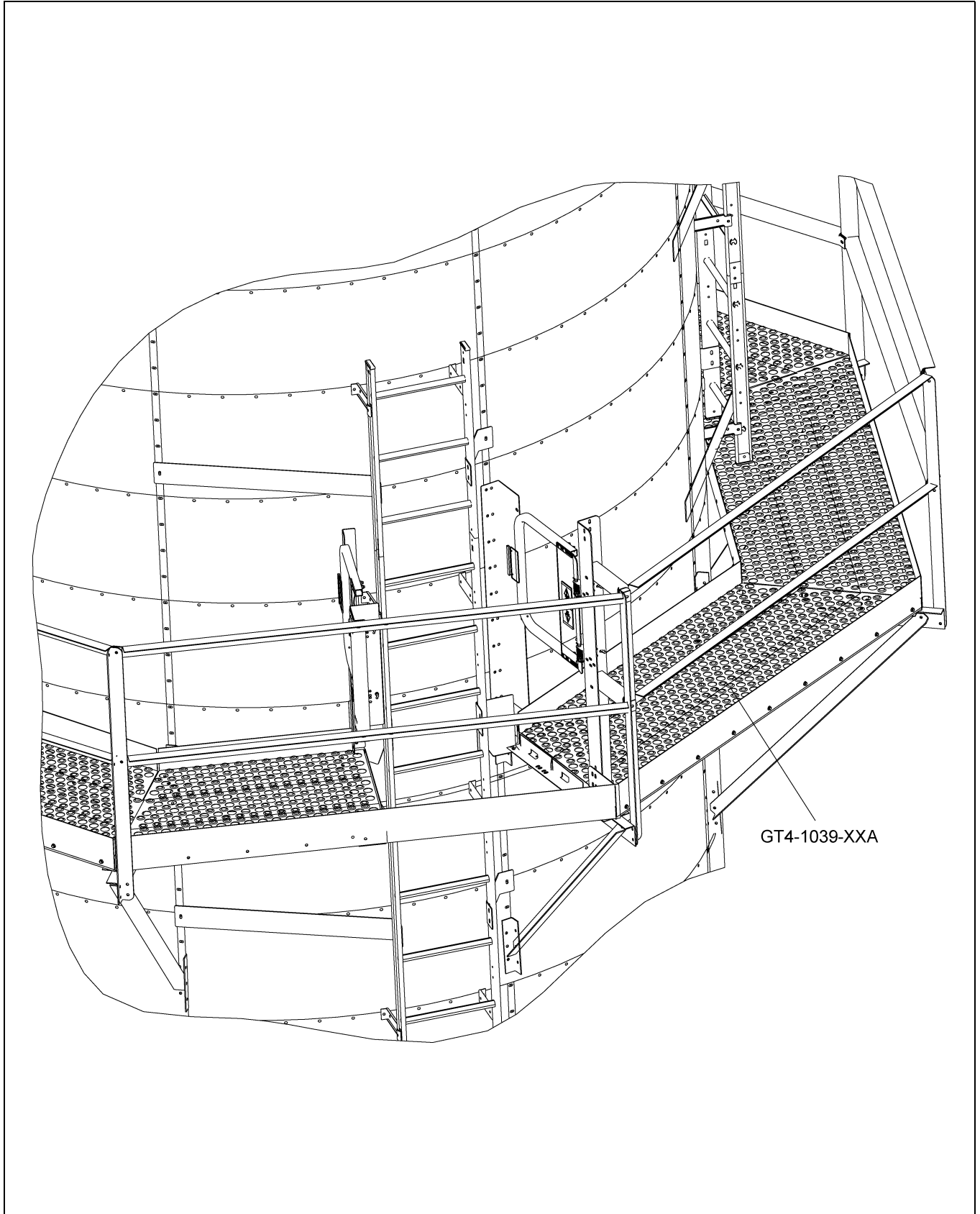


Figure 1K

Ladder Assembly (Continued)

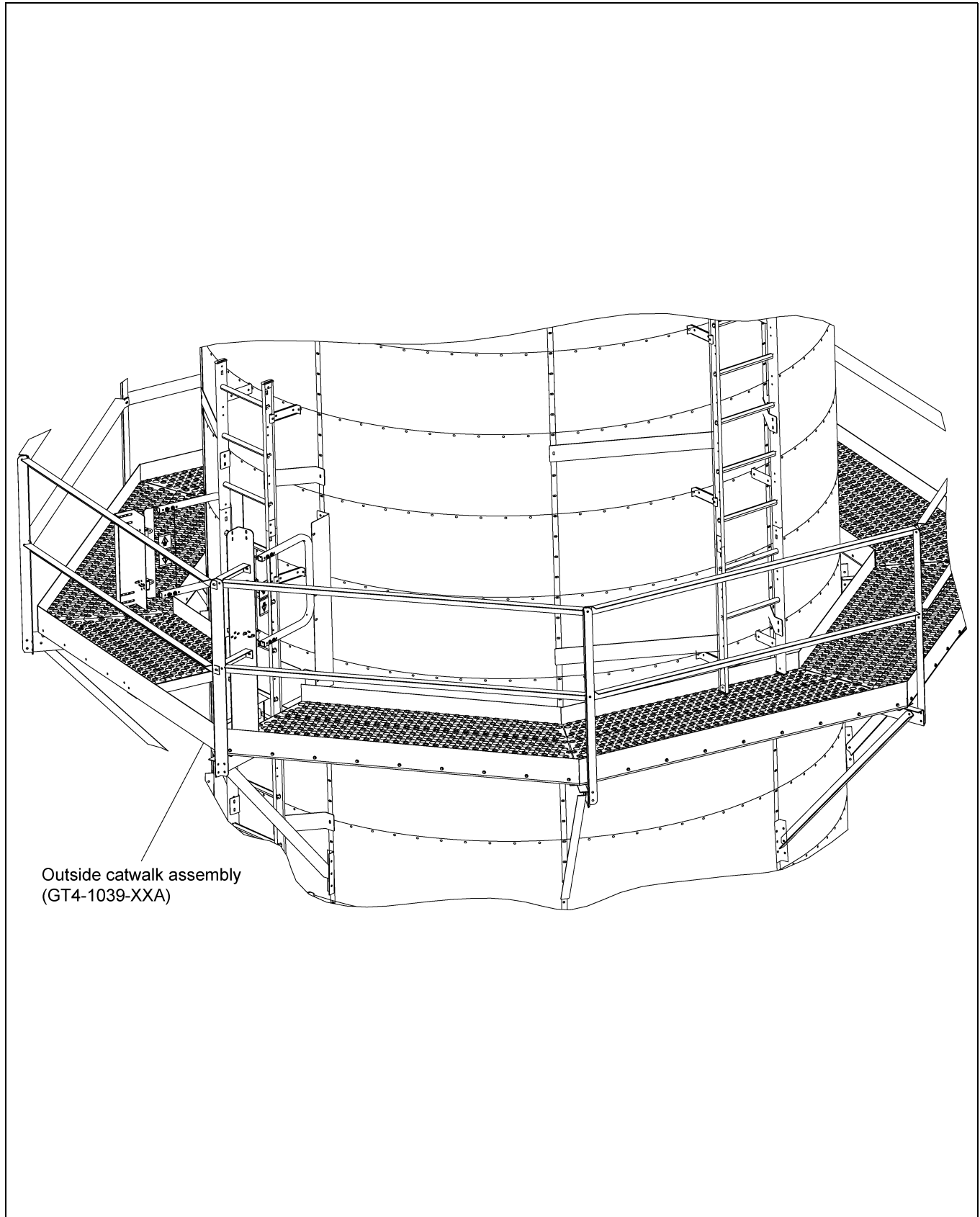


Figure 1L

Ladder Assembly (Continued)

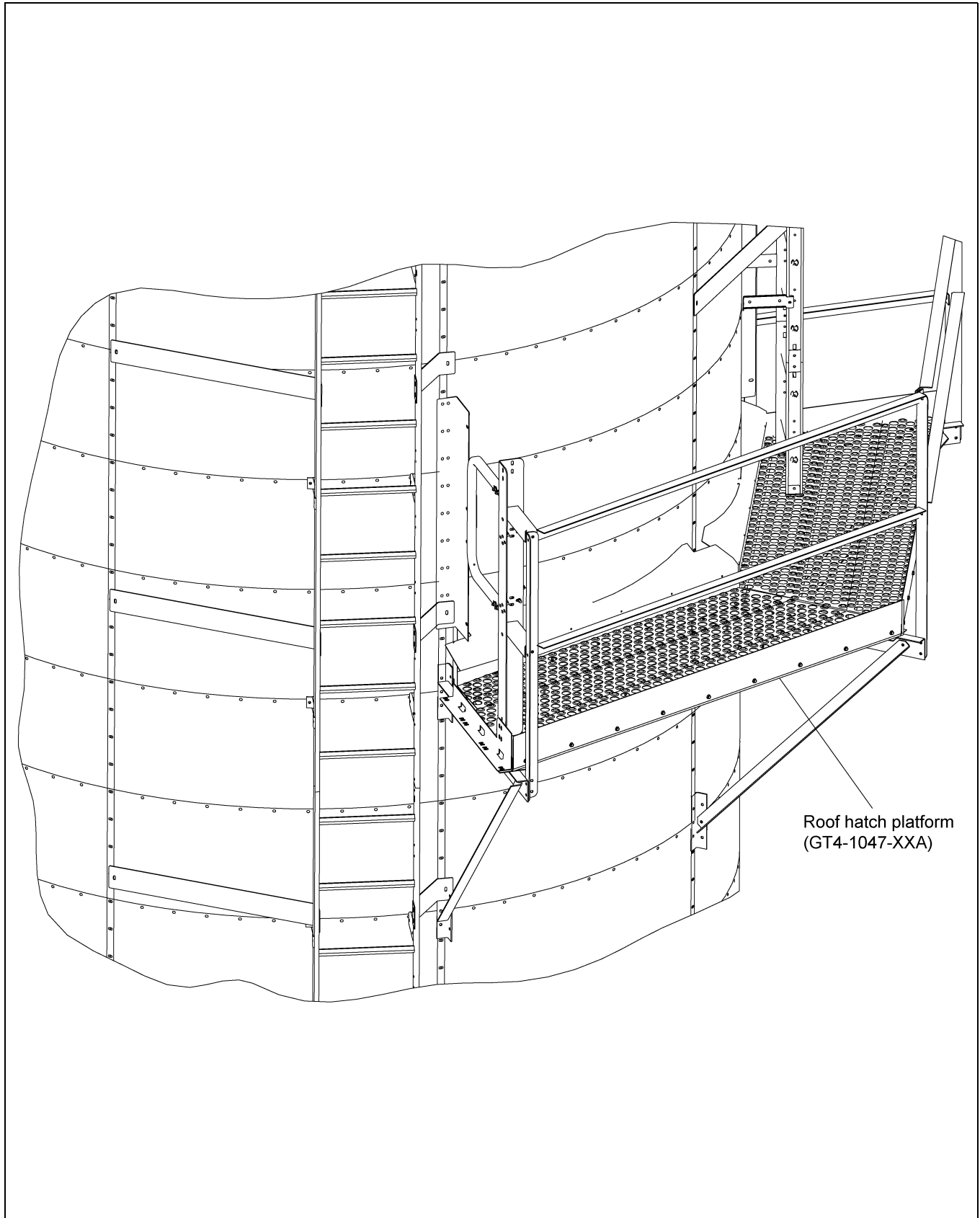


Figure 1M

Ladder Assembly (Continued)

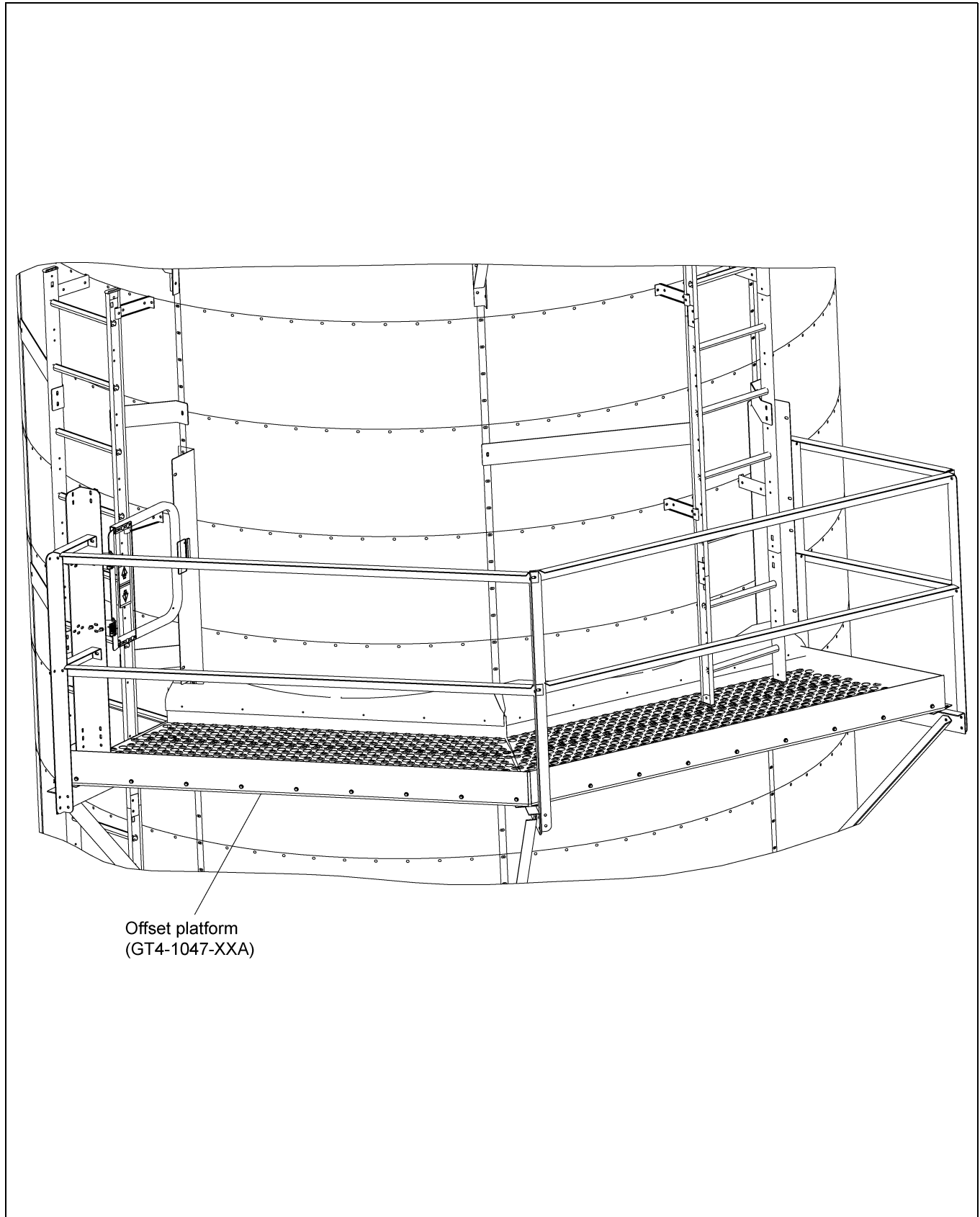


Figure 1N

Ladder Assembly (Continued)

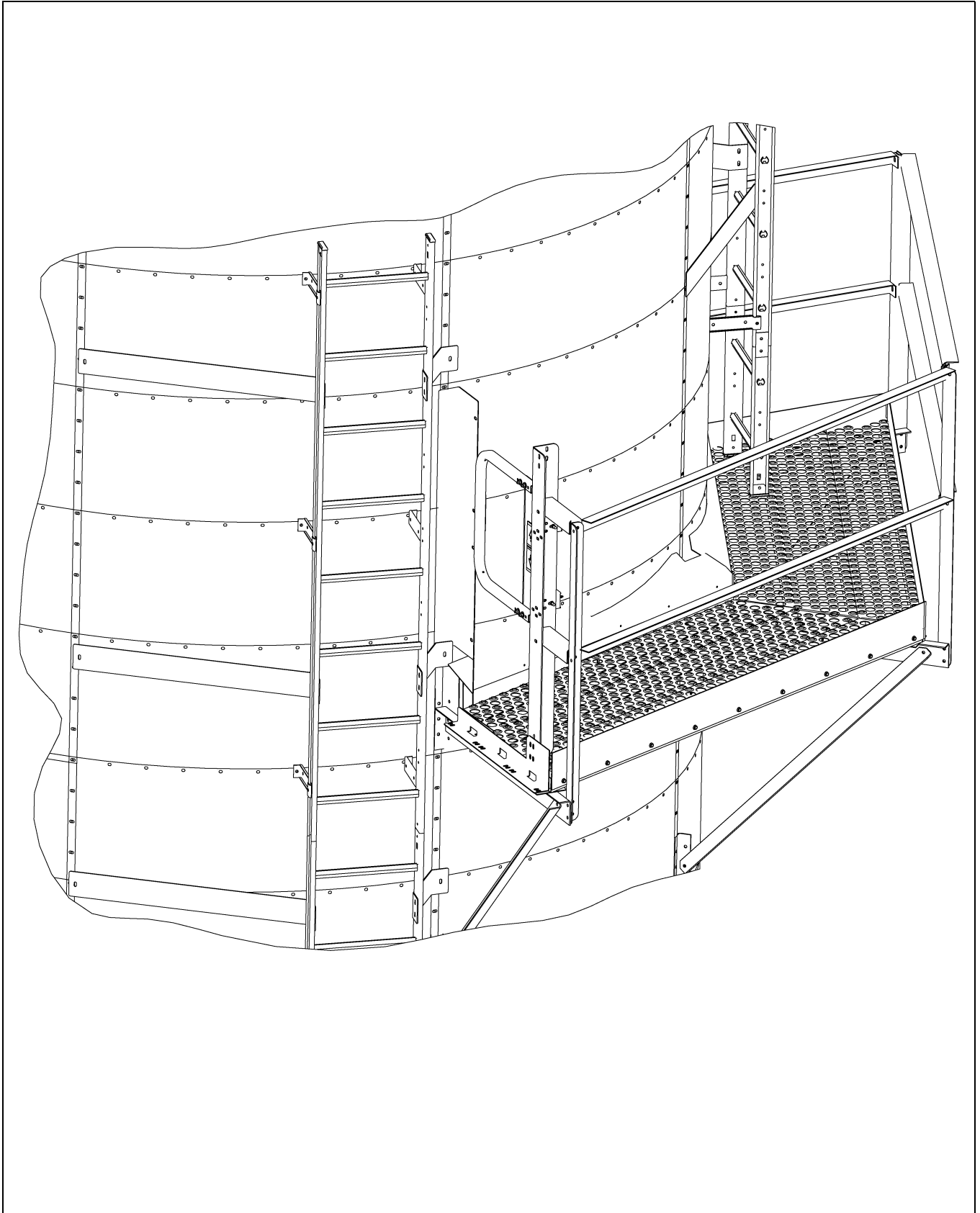


Figure 10

1. Installation

Ladder Assembly (Continued)

3. Assemble one set of ladder standoffs (LDR-4314) per each overlap near the base as shown in [Figure 1Q on Page 19](#). Assemble two (2) hopper ladder supports (LSCHT-1003) between the legs, to support the ladder as shown in [Figure 1Q on Page 19](#). Assemble the ladder with hopper supports (LSCHT-1003) using two (2) ladder standoff (LDR-4314) brackets.

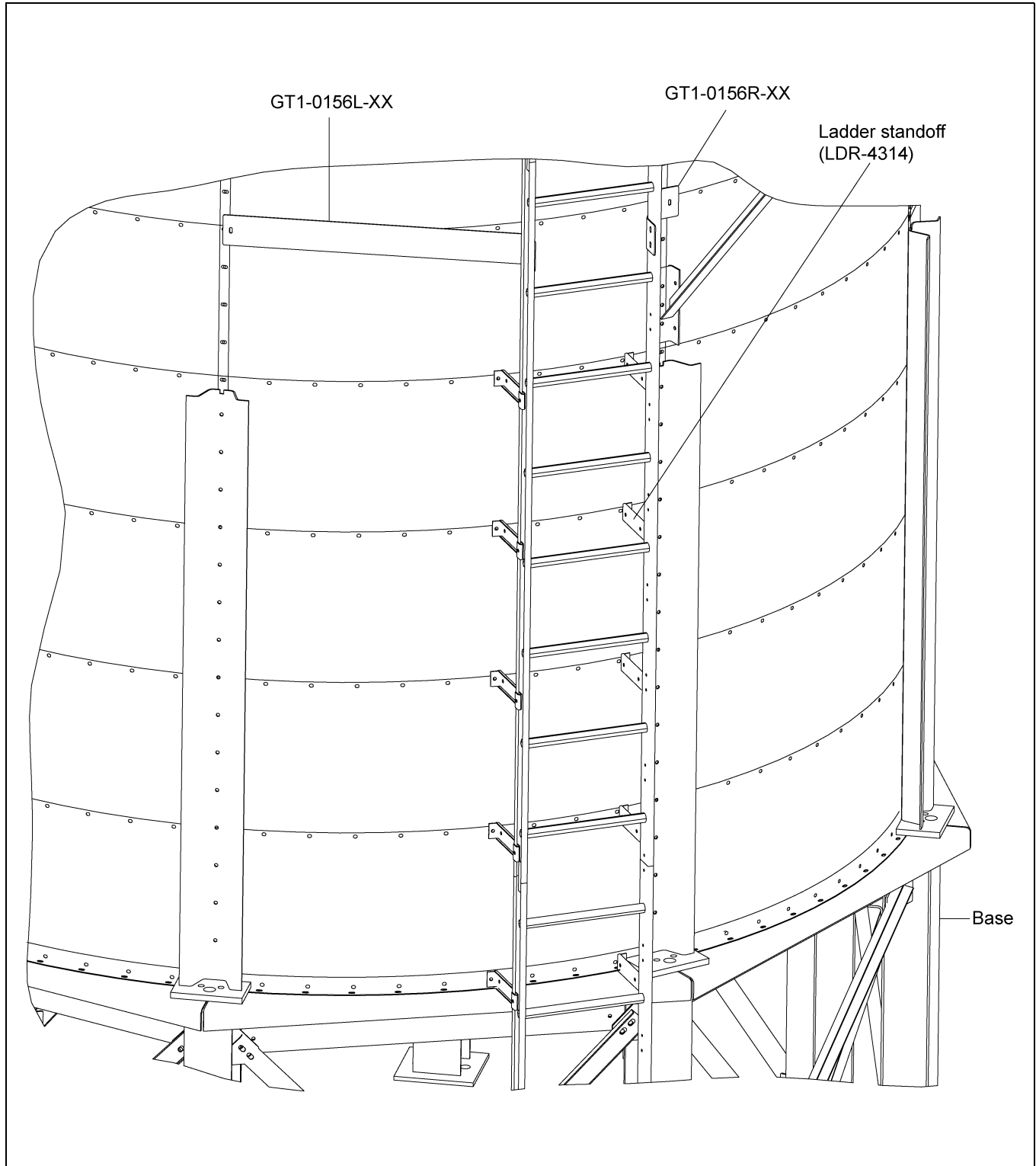


Figure 1P

Ladder Assembly (Continued)

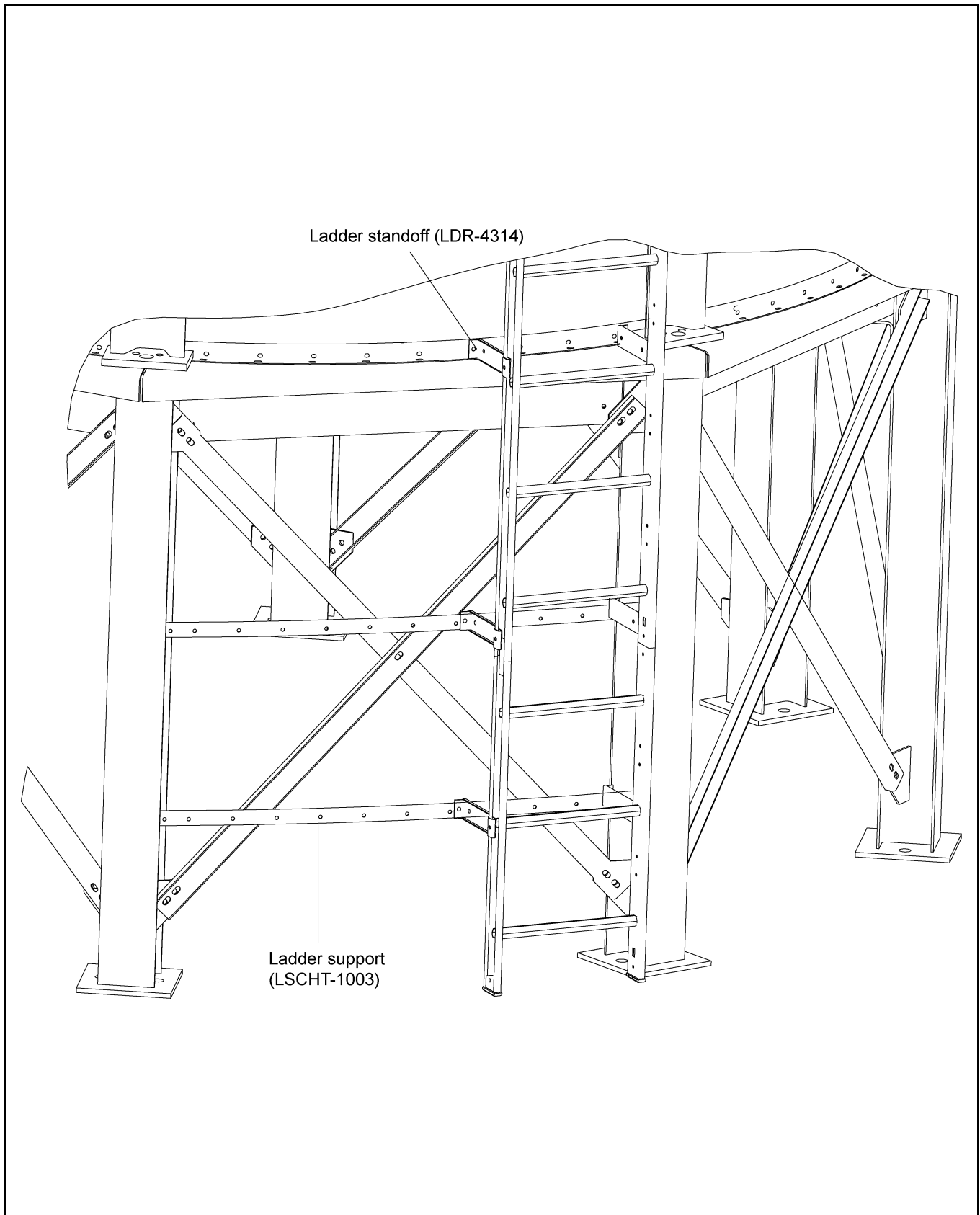
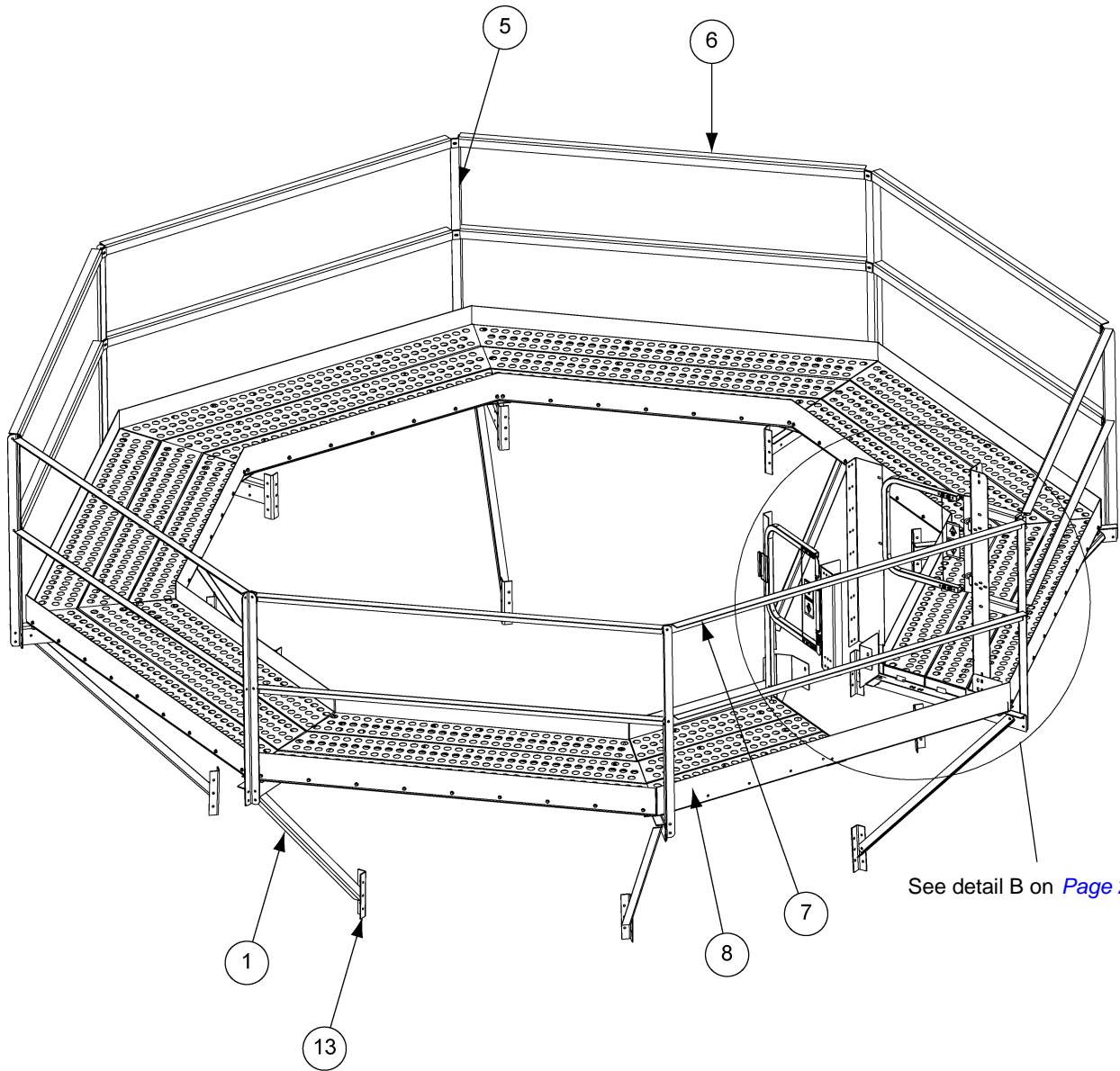


Figure 1Q

NOTES

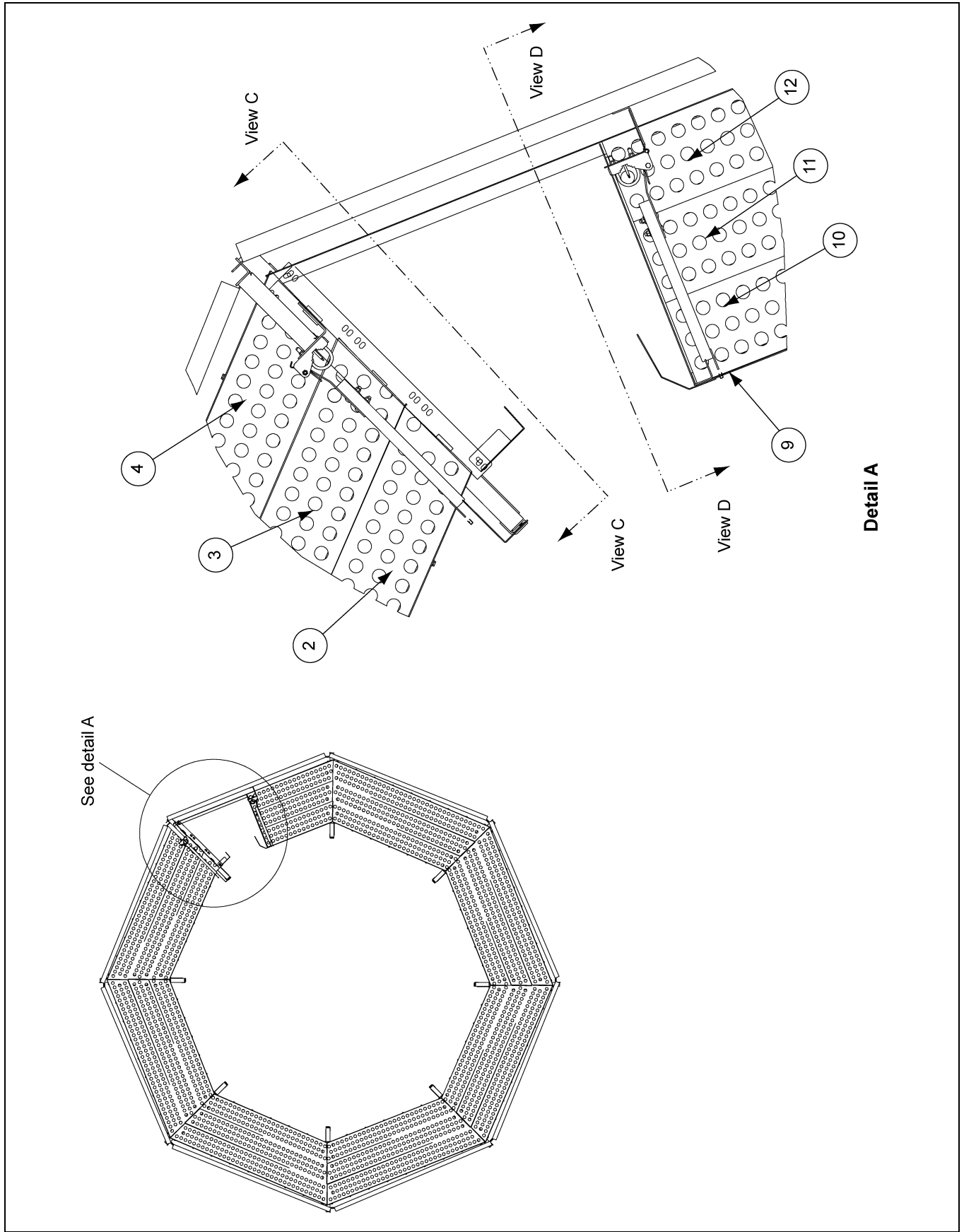
1. **12' Outside Catwalk Package (GT4-1039-12A)** - *(See Pages 22-25.)*
2. **18' Outside Catwalk Package (GT4-1039-18A)** - *(See Pages 27-30.)*
3. **24' Outside Catwalk Package (GT4-1039-24A)** - *(See Pages 32-35.)*
4. **30' Outside Catwalk Package (GT4-1039-30A)** - *(See Pages 37-40.)*
5. **12' Offset Platform Package (GT4-1047-12A)** - *(See Pages 42-44.)*
6. **18' Offset Platform Package (GT4-1047-18A)** - *(See Pages 46-48.)*
7. **24' Offset Platform Package (GT4-1047-24A)** - *(See Pages 50-52.)*
8. **30' Offset Platform Package (GT4-1047-30A)** - *(See Pages 54-56.)*
9. **12' Roof Hatch Platform (GT4-1051-12A)** - *(See Pages 58-60.)*
10. **18' Roof Hatch Platform (GT4-1051-18A)** - *(See Pages 62-64.)*
11. **24' Roof Hatch Platform (GT4-1051-24A)** - *(See Pages 66-68.)*
12. **30' Roof Hatch Platform (GT4-1051-30A)** - *(See Pages 70-72.)*
13. **12' Diameter Dryer Peak Walk Around Package (GT4-1212PW)** - *(See Page 74.)*
14. **18' Diameter Dryer Peak Walk Around Package (GT4-1218PW)** - *(See Page 75.)*
15. **24' Diameter Dryer Peak Walk Around Package (GT4-1224PW)** - *(See Page 76.)*
16. **30' Diameter Dryer Peak Walk Around Package (GT4-1230PW)** - *(See Page 77.)*

12' Outside Catwalk Package (GT4-1039-12A)

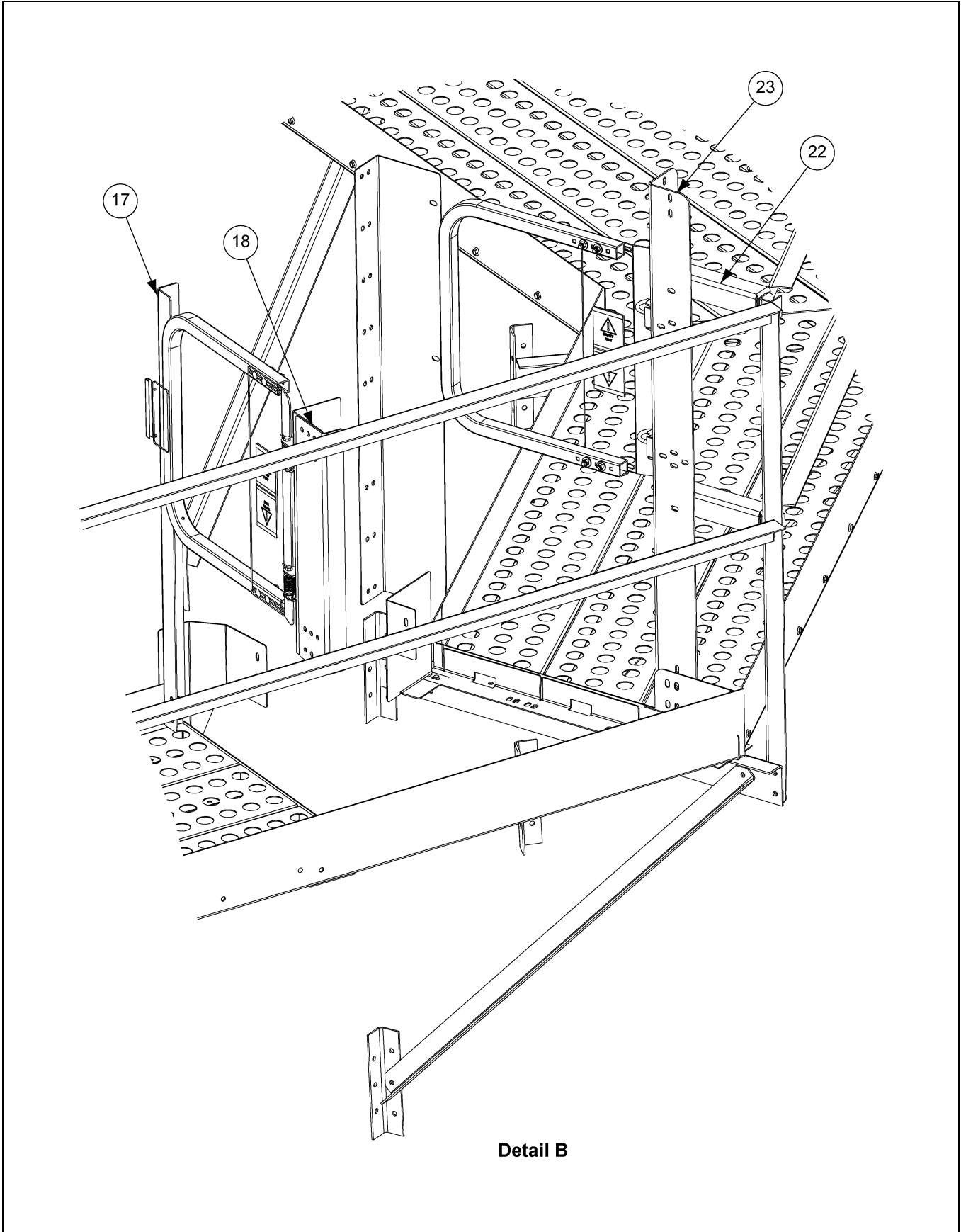


NOTE: For further details, refer [Pages 23, 24 and 25](#).

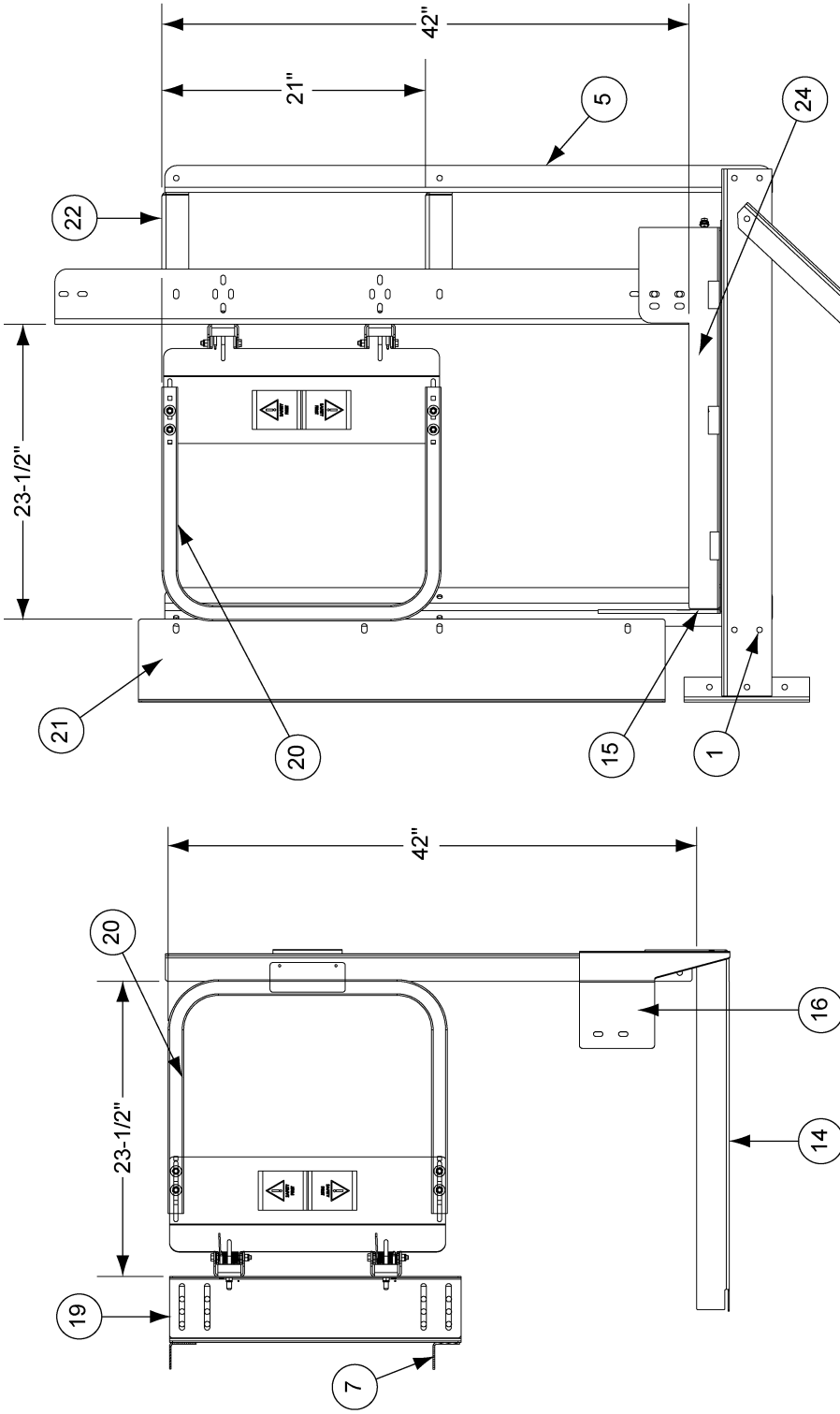
12' Outside Catwalk Package (GT4-1039-12A) (Continued)



12' Outside Catwalk Package (GT4-1039-12A) (Continued)



12' Outside Catwalk Package (GT4-1039-12A) (Continued)



NOTE: Split part #GT1-0921-A into two (2) halves. Use either one according to which side the ladder will be assembled.

View C

View D

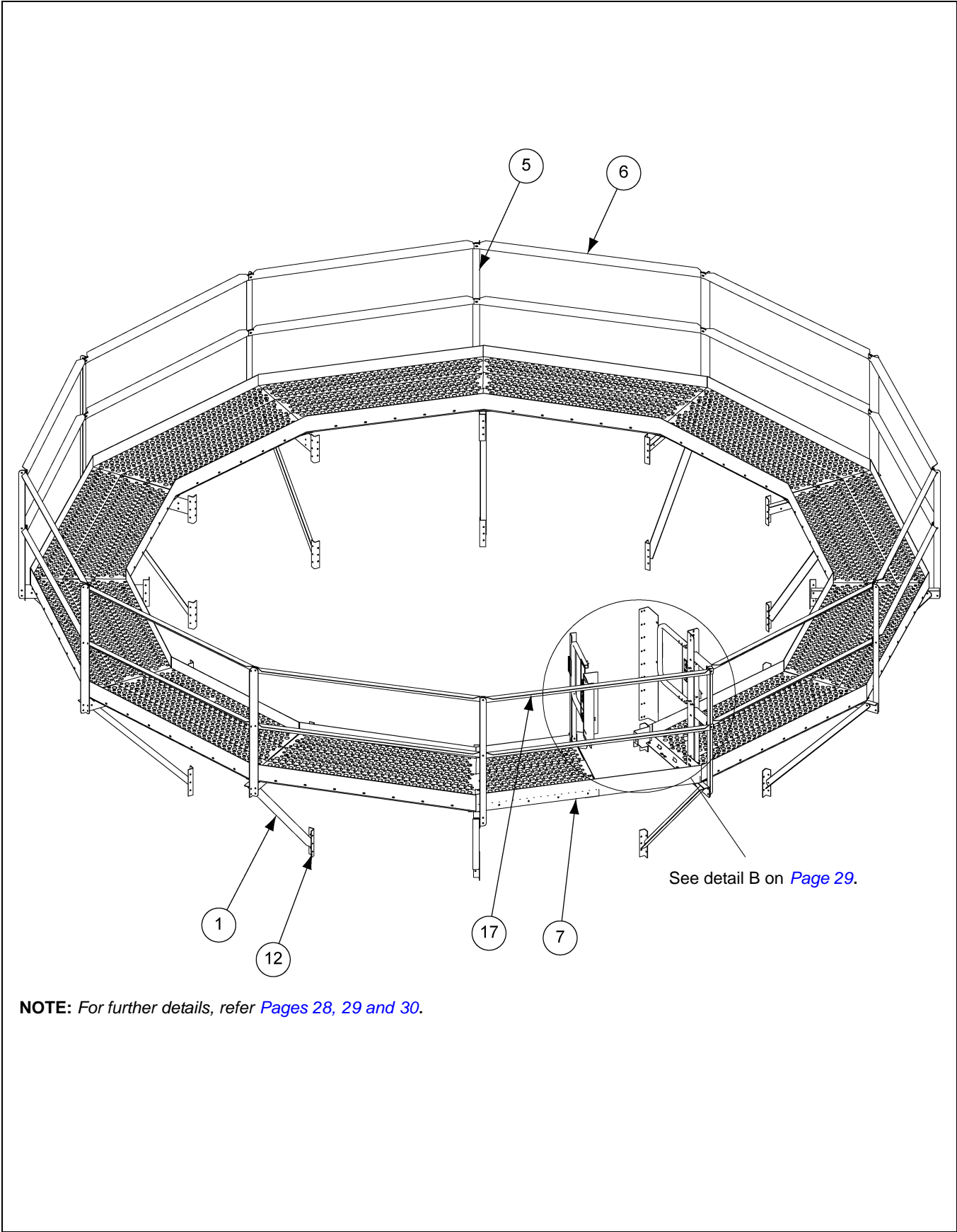
- NOTE:**
1. Please maintain 23-1/2" opening width to mount swing gate.
 2. Top of the swing gate should be 42" from top of the plank and flush with the top handrail.

2. Parts List

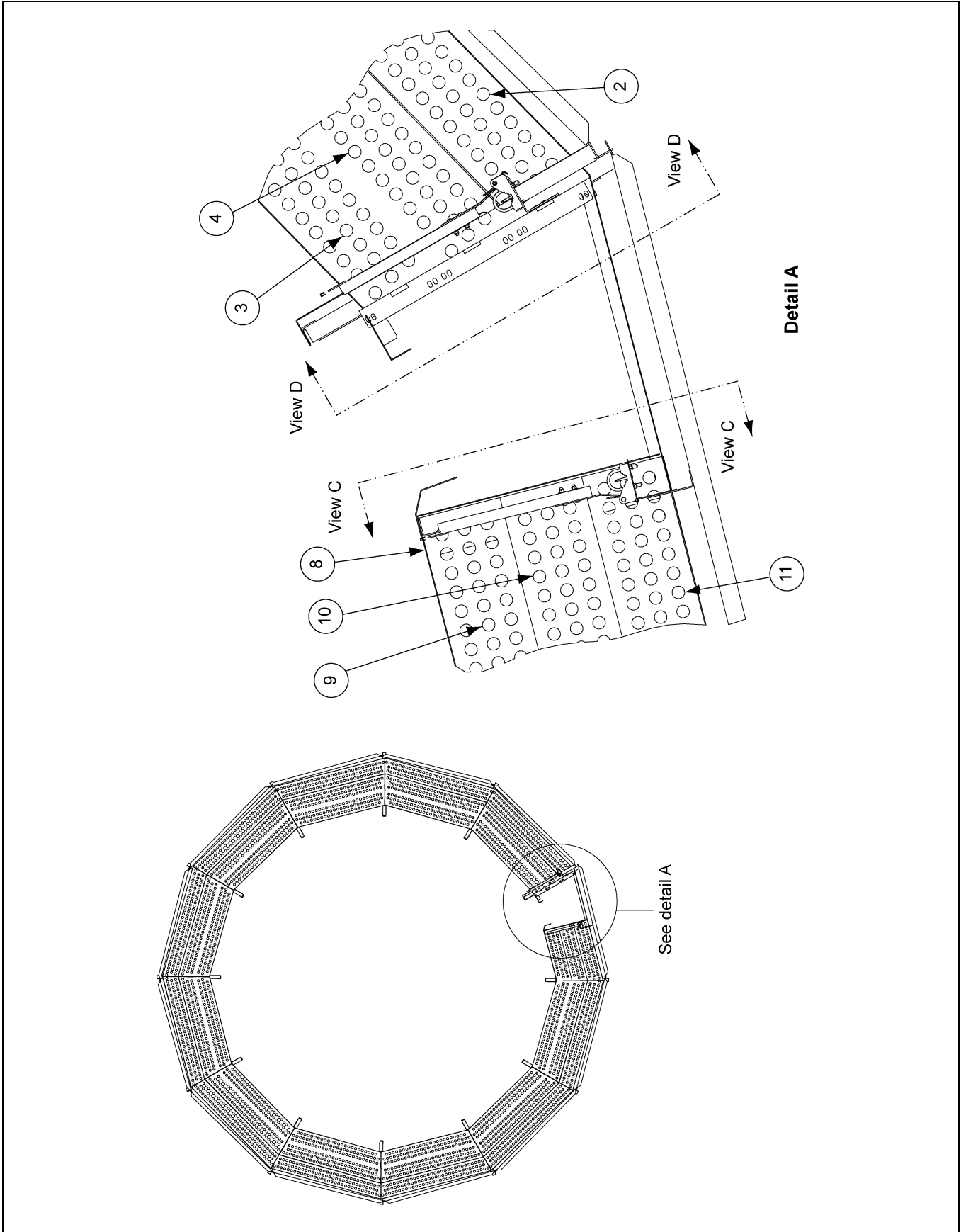
12' Outside Catwalk Package (GT4-1039-12A) Parts List

Ref #	Part #	Description	Qty
1	GT4-1303	Catwalk Floor Support	8
2	GT4-1302-12A	Outside Catwalk Inner Plank Assembly - 12'	7
3	GT1-0459	Plank, Outside Catwalk - 12' - 77.45"	7
4	GT4-1301-12A	Outside Catwalk Outer Plank Assembly - 12'	7
5	GT1-0005-A	Catwalk Vertical Support	8
6	GT1-0463	Outside Catwalk Handrail 24'	14
7	GT1-0463-12	Handrail, Outside Catwalk 12' - Swing Gate Mounting	2
8	GT1-0476-A	Outer Toe Board Outside Catwalk Door - 12' Diameter Dryer	1
9	GT1-0477-A	Inner Toe Board Outside Catwalk Door - 12' Diameter Dryer	1
10	GT1-0472-A	Plank, Outside Catwalk DR-Small FLR - 12' - 38.43" Standardized	1
11	GT1-0471-A	Plank, Outside Catwalk DR-Medium FLR - 12' - 42.37" Standardized	1
12	GT1-0470-A	Plank, Outside Catwalk DR-Large FLR - 12' - 46.30" Standardized	1
13	GT1-0162	Catwalk Support Clip	16
14	GT1-1538-12	Extended Platform Edge Toe Board, 12' Diameter Dryer	1
15	GT1-1531-12	Bracket, Toe Board Ladder Connection, Right Side, 12' Dryer	1
16	GT1-1532-12	Bracket, Toe Board Ladder Connection, Left Side, 12' Dryer	1
17	GT1-1540	Angle, Swing Gate Stop	1
18	GT1-1510B-12	Bracket, Outside Catwalk Inner Rail to 12' Dryer	1
19	GT1-1539	Bracket, Outside Catwalk Swing Gate Mounting Universal	1
20	GT3-1135	Swing Gate, 21" (Opening Width - 23-1/2")	2
21	GT1-1510B-B	Bracket, Outside Catwalk Inner Rail to 18', 24' and 30' Dryer	1
22	GT1-0920-A	Handrail, Platform End at Steptover, Catwalks Universal	2
23	GT1-0922-A	Handrail UPRT at Ladder Cage Extension Steptover Plat	1
24	GT1-0921-A	Toe Board End Cap R.H. and L.H.	1

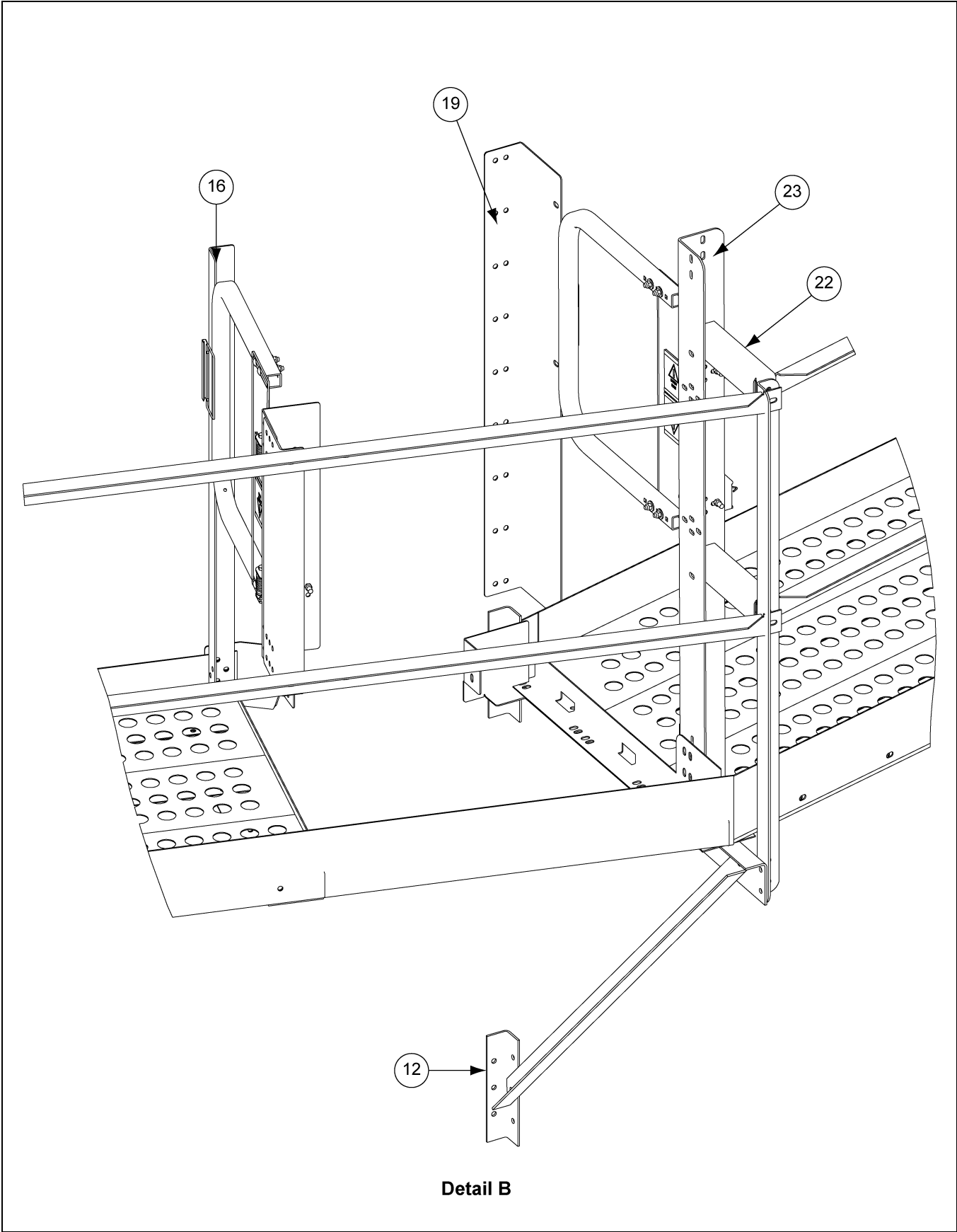
18' Outside Catwalk Package (GT4-1039-18A)



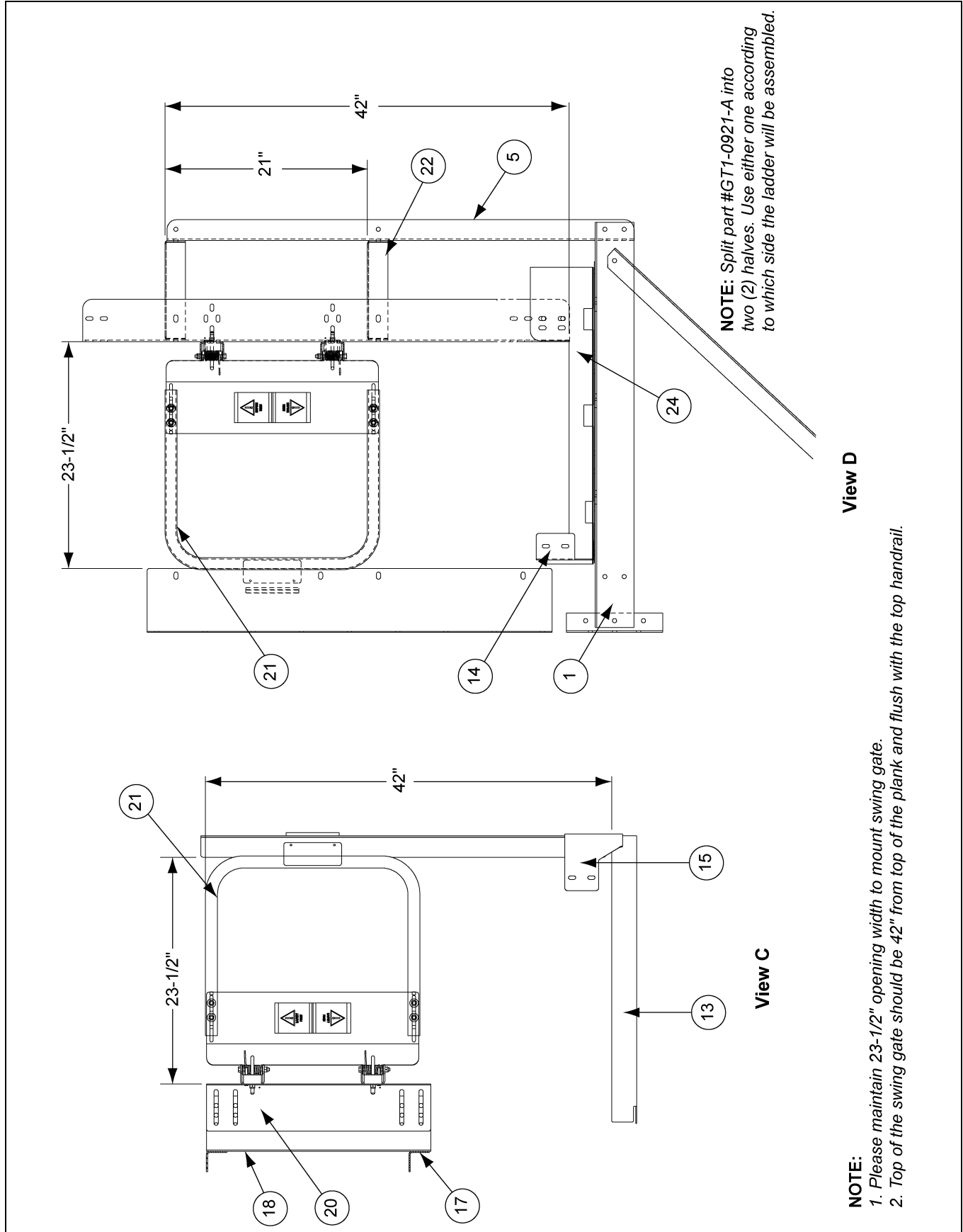
18' Outside Catwalk Package (GT4-1039-18A) (Continued)



18' Outside Catwalk Package (GT4-1039-18A) (Continued)



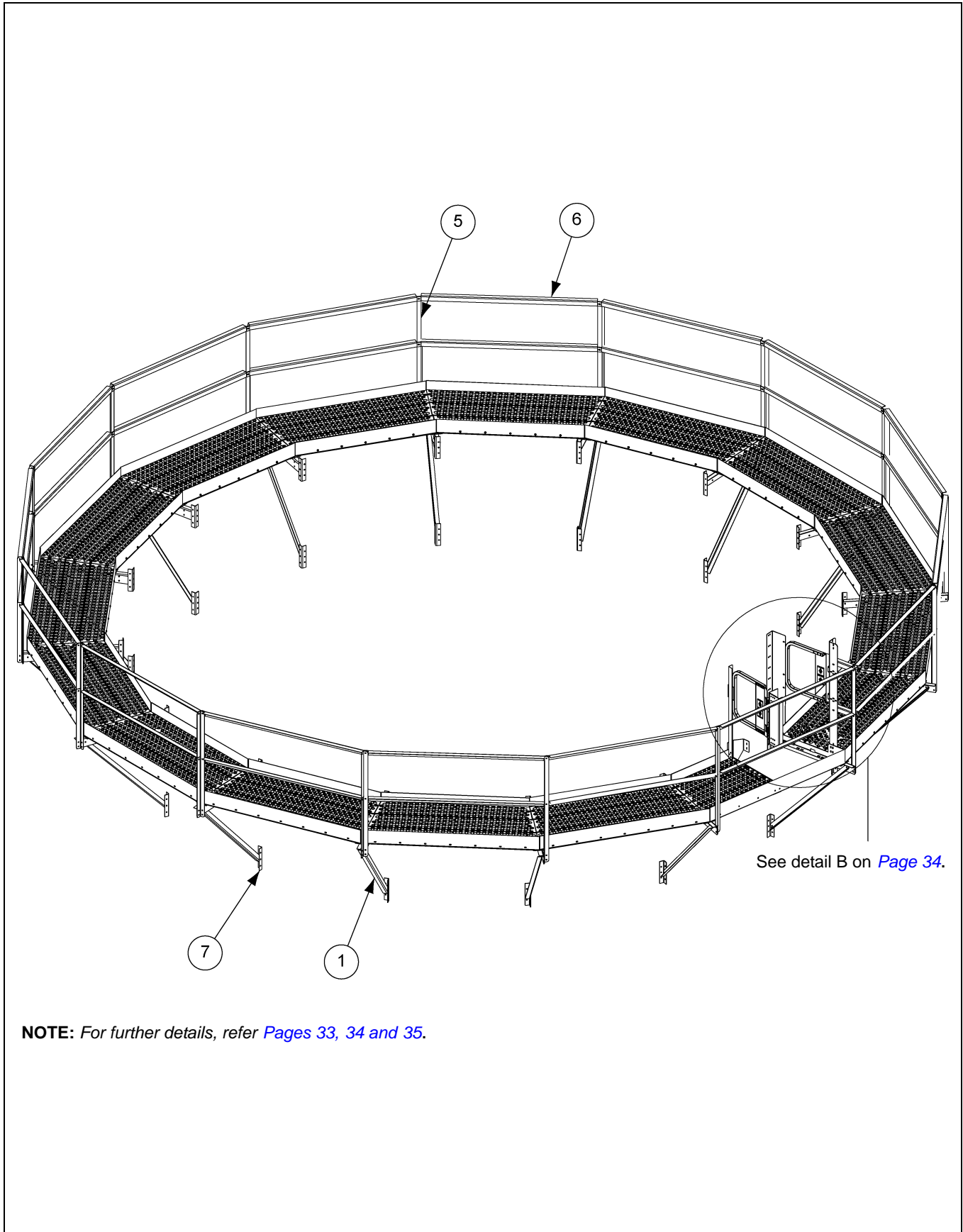
18' Outside Catwalk Package (GT4-1039-18A) (Continued)



18' Outside Catwalk Package (GT4-1039-18A) Parts List

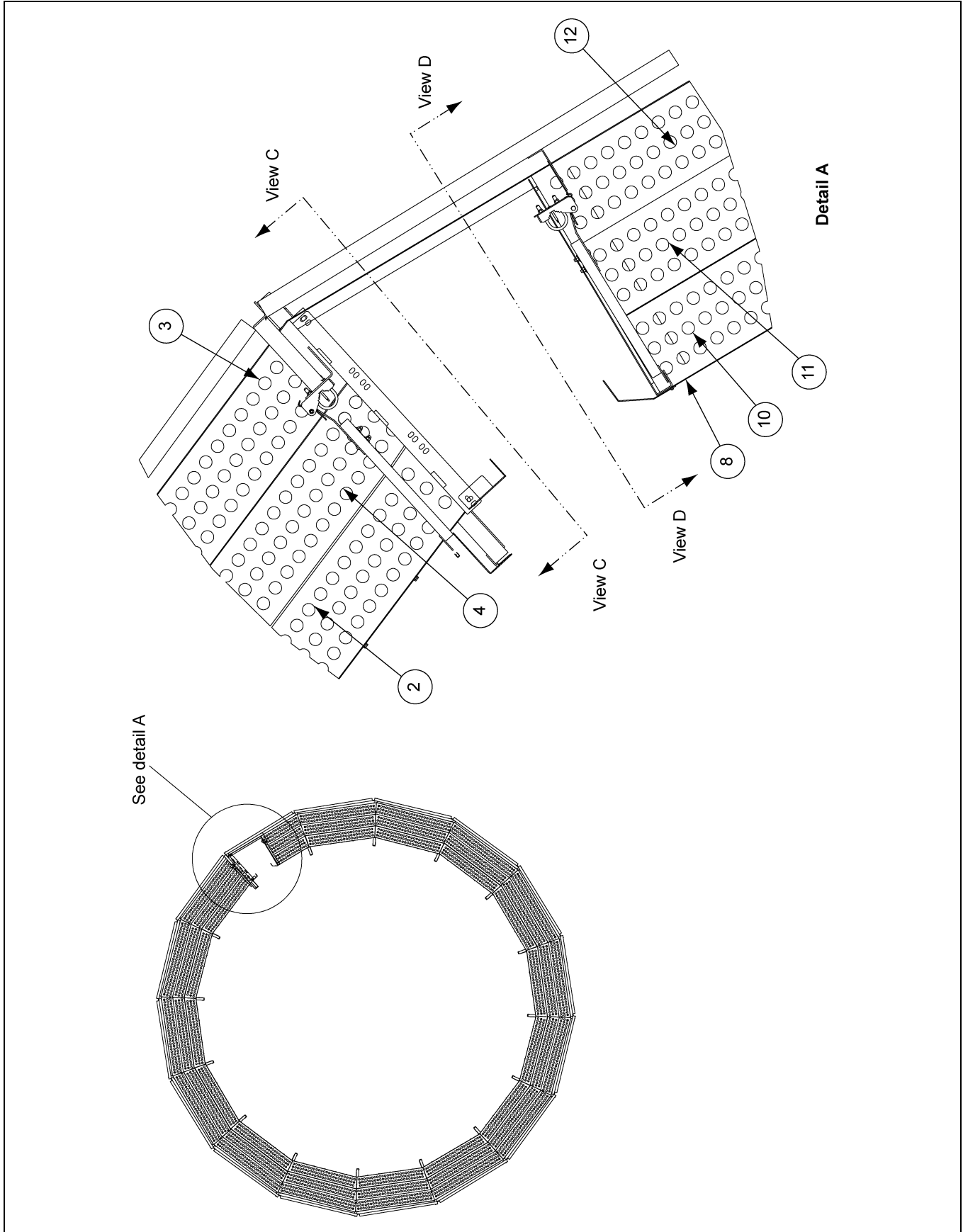
Ref #	Part #	Description	Qty
1	GT4-1303	Catwalk Floor Support	12
2	GT4-1301-18A	Outside Catwalk Outer Toe Plank	11
3	GT4-1302-18A	18' Diameter Outside Catwalk Toe Plank	11
4	GT1-0435-A	Plank, Outside Catwalk - 18' - 70.95" Standardized	11
5	GT1-0005-A	Catwalk Vertical Support	12
6	GT1-0009	Outside Catwalk Handrail 18'	22
7	GT1-0432-A	Outer Toe Board Outside Catwalk - 24' Diameter Dryer	1
8	GT1-0433-A	Inner Toe Board Outside Catwalk Door - 18' Diameter Dryer	1
9	GT1-0428-A	Plank, Outside Catwalk DR-Small FLR - 18' - 36.54" Standardized	1
10	GT1-0427-A	Plank, Outside Catwalk DR-Medium FLR - 18' - 39.22" Standardized	1
11	GT1-0426-A	Plank, Outside Catwalk DR-Large FLR - 18' - 41.91" Standardized	1
12	GT1-0162	Catwalk Support Clip	24
13	GT1-1538-18	Extended Platform Edge Toe Board, 18' Diameter Dryer	1
14	GT1-1531-18	Bracket, Toe Board Ladder Connection, Right Side, 18' Dryer	1
15	GT1-1532-18	Bracket, Toe Board Ladder Connection, Left Side, 18' Dryer	1
16	GT1-1540	Angle, Swing Gate Stop	1
17	GT1-0009-18	Outside Catwalk Handrail 18' - Swing Gate Mounting	2
18	GT1-1510B-A	Bracket, Outside Catwalk Inner Rail to All Tower Dryers	1
19	GT1-1510B-B	Bracket, Outside Catwalk Inner Rail to 18', 24' and 30' Dryer	1
20	GT1-1539	Bracket, Outside Catwalk Swing Gate Mounting Universal	1
21	GT3-1135	Swing Gate, 21" (Opening Width - 23-1/2")	2
22	GT1-0920-A	Handrail, Platform End at Stepover, Catwalks Universal	2
23	GT1-0922-A	Handrail UPRT at Ladder Cage Extension Stepover Plat	1
24	GT1-0921-A	Toe Board End Cap R.H. and L.H.	1

24' Outside Catwalk Package (GT4-1039-24A)

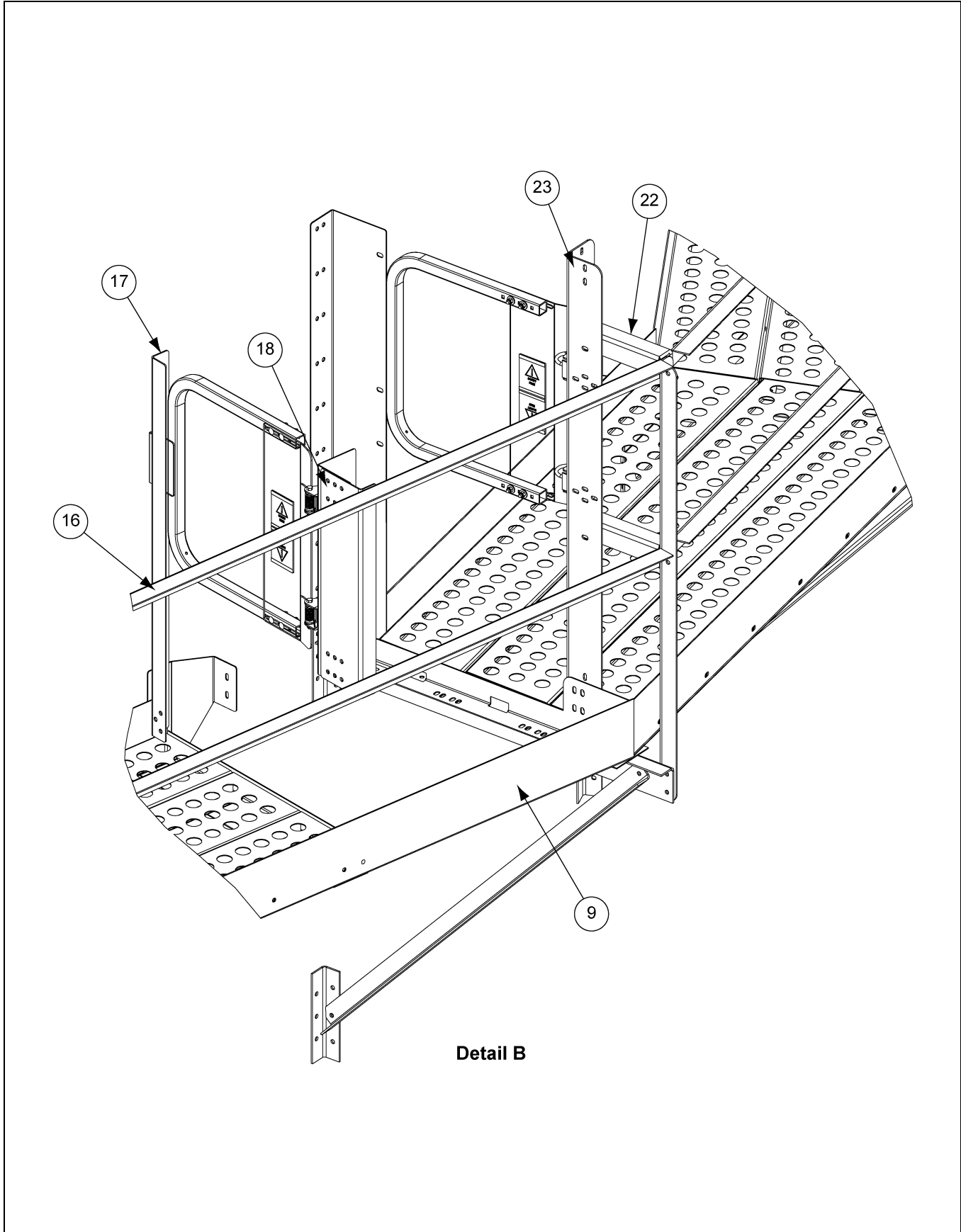


NOTE: For further details, refer [Pages 33, 34 and 35](#).

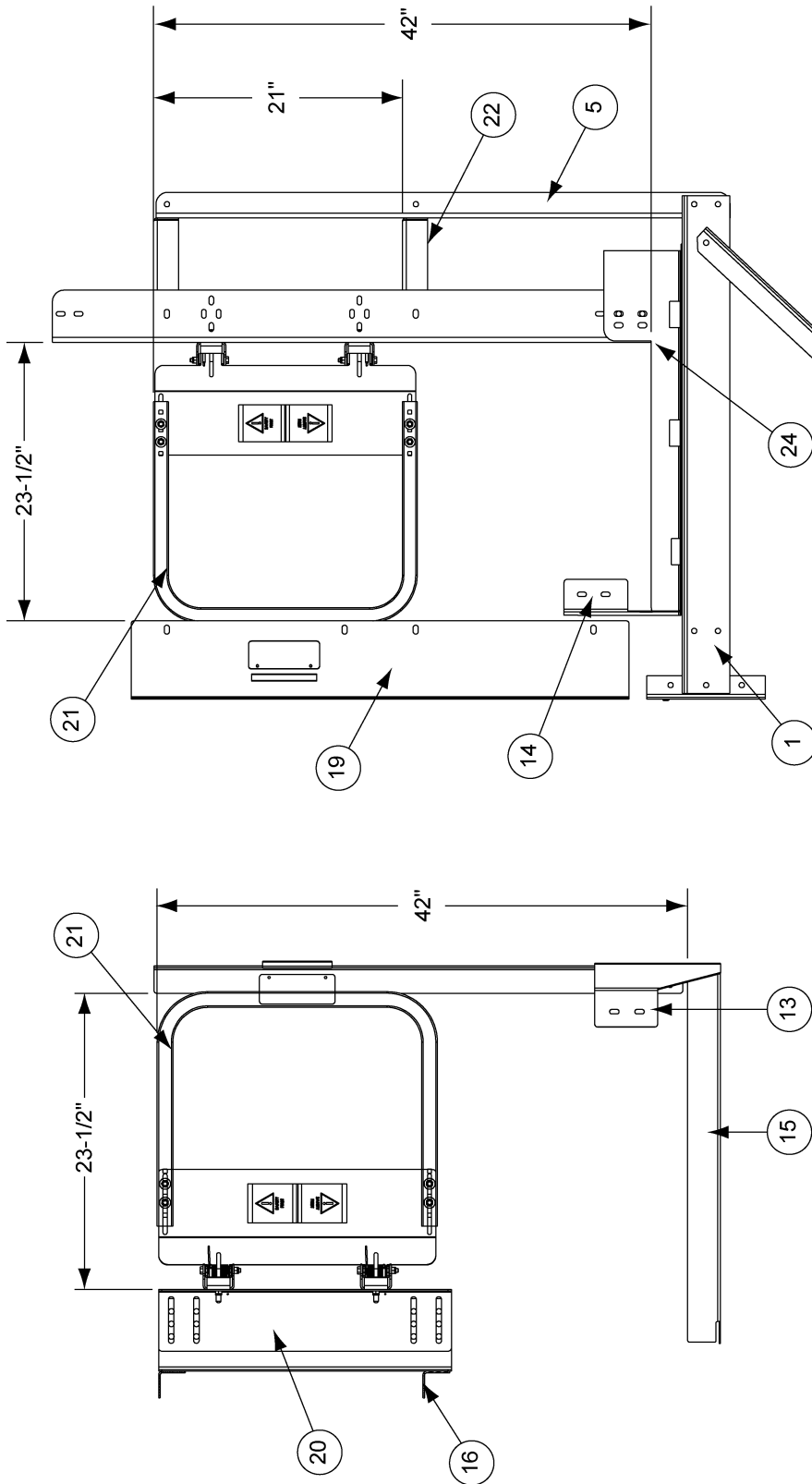
24' Outside Catwalk Package (GT4-1039-24A) (Continued)



24' Outside Catwalk Package (GT4-1039-24A) (Continued)



24' Outside Catwalk Package (GT4-1039-24A) (Continued)



NOTE: Split part #GT1-0921-A into two (2) halves. Use either one according to which side the ladder will be assembled.

View C

View D

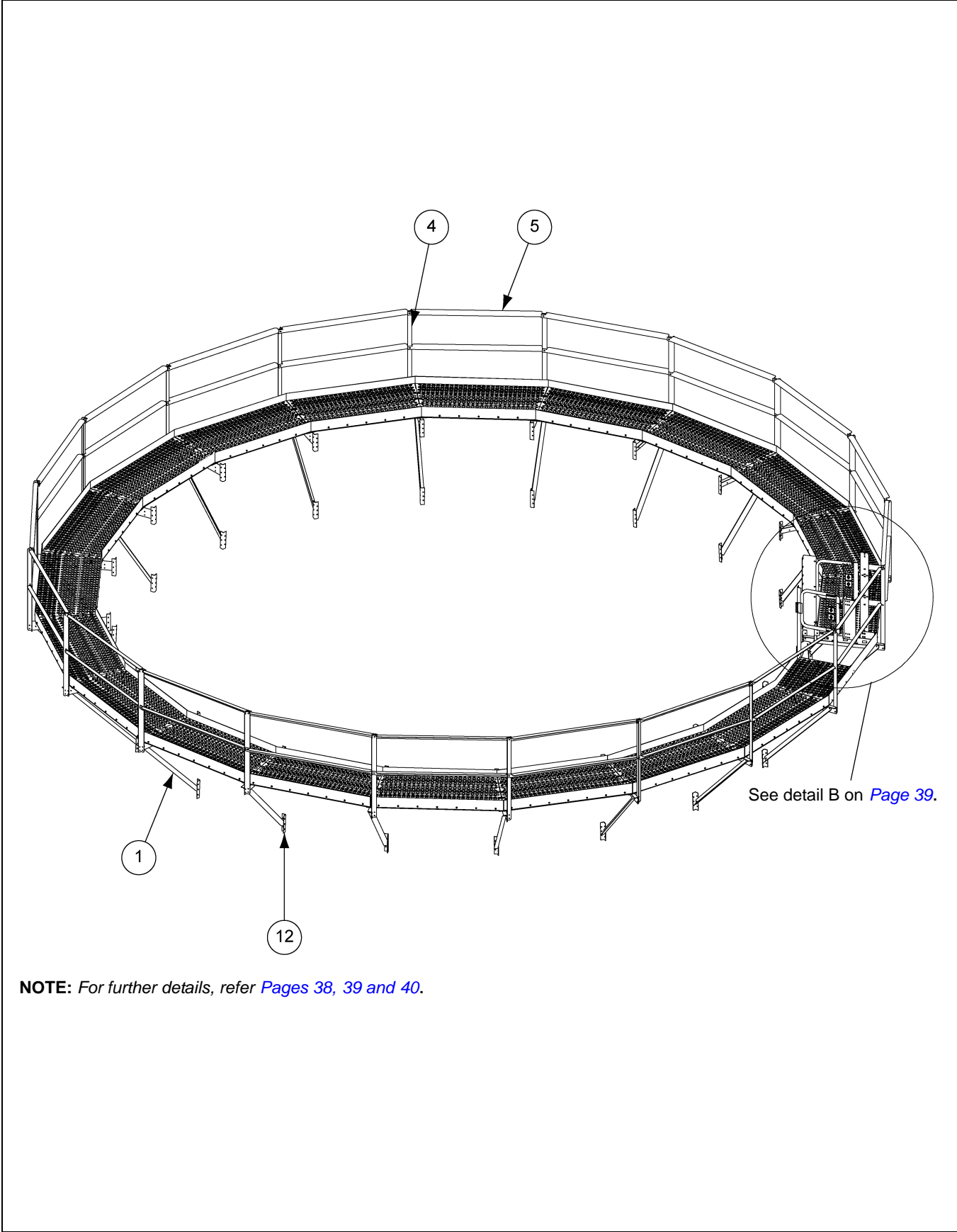
- NOTE:**
1. Please maintain 23-1/2" opening width to mount swing gate.
 2. Top of the swing gate should be 42" from top of the plank and flush with the top handrail.

2. Parts List

24' Outside Catwalk Package (GT4-1039-24A) Parts List

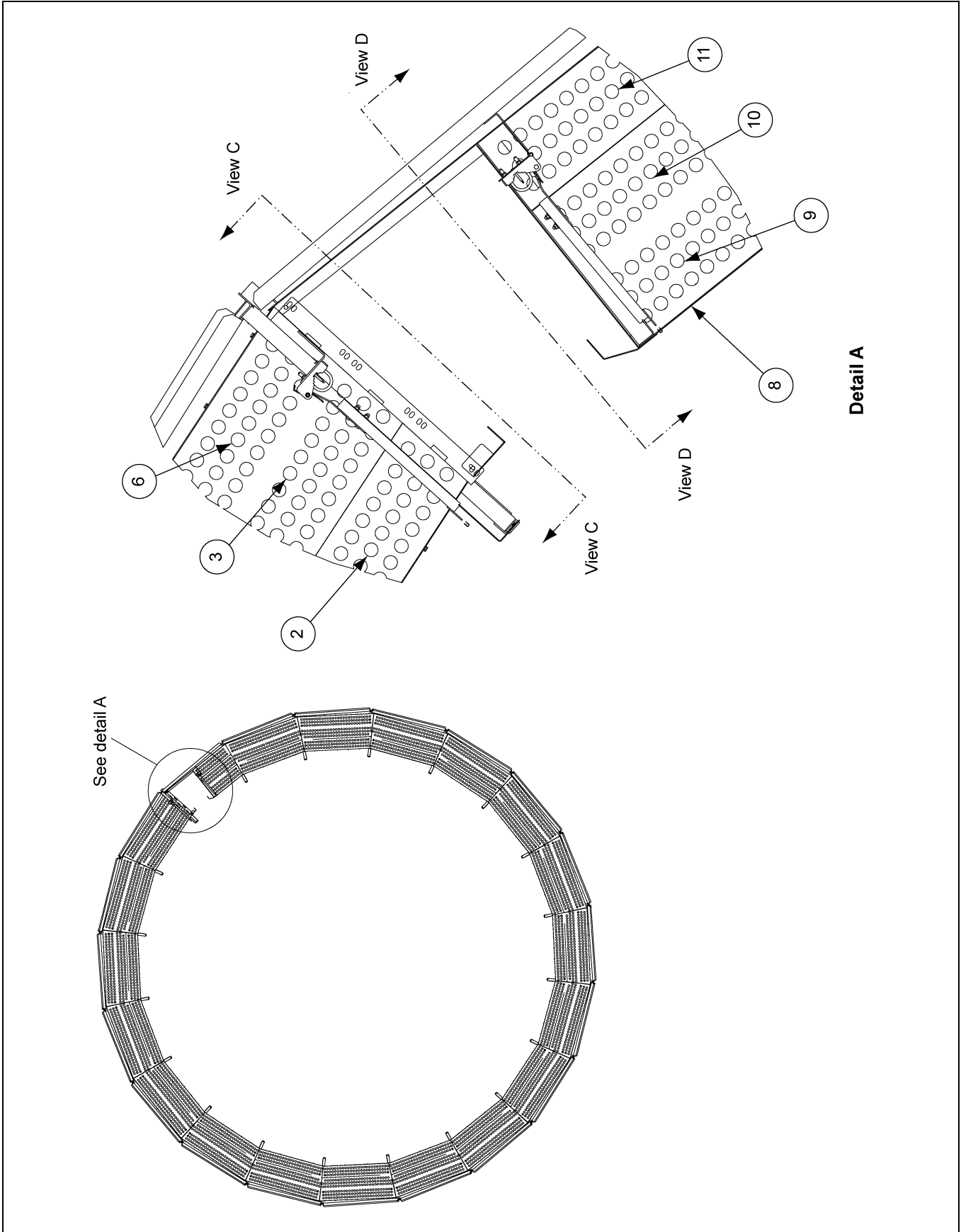
Ref #	Part #	Description	Qty
1	GT4-1303	Catwalk Floor Support	16
2	GT4-1302-24A	Outside Catwalk Inner Plank Assembly - 24'	15
3	GT4-1301-24A	Outside Catwalk Outer Plank Assembly - 24'	15
4	GT1-0559-A	Plank, Outside Catwalk - 24' - 67.14" Standardized	15
5	GT1-0005-A	Catwalk Vertical Support	16
6	GT1-0309	Outside Catwalk Handrail 24'	30
7	GT1-0162	Catwalk Support Clip	32
8	GT1-1533-A	Toe Board, Outside Catwalk, Ladder Section - 24' Dryer	1
9	GT1-0322-A	Outer Toe Board Outside Catwalk - 24' Diameter Dryer	1
10	GT1-0318-A	Plank, Outside Catwalk DR-Small FLR - 24' - 33.64" Standardized	1
11	GT1-0317-A	Plank, Outside Catwalk DR-Medium FLR - 24' - 35.62" Standardized	1
12	GT1-0316-A	Plank, Outside Catwalk DR-Large FLR - 24' - 37.61" Standardized	1
13	GT1-1532-24	Bracket, Toe Board Ladder Connection, Left Side, 24' Dryer	1
14	GT1-1531-24	Bracket, Toe Board Ladder Connection, Right Side, 24' Dryer	1
15	GT1-1538-24	Cover, Outside Catwalk Edge, 24' Diameter Dryer	1
16	GT1-0309-24	Outside Catwalk Handrail 24' Swing Gate Mounting	2
17	GT1-1540	Angle, Swing Gate Stop	1
18	GT1-1510B-A	Bracket, Outside Catwalk Inner Rail to All Tower Dryers	1
19	GT1-1510B-B	Bracket, Outside Catwalk Inner Rail to 18', 24' and 30' Dryer	1
20	GT1-1539	Bracket, Outside Catwalk Swing Gate Mounting Universal	1
21	GT3-1135	Swing Gate, 21" (Opening Width - 23-1/2")	2
22	GT1-0920-A	Handrail, Platform End at Stepper, Catwalks Universal	2
23	GT1-0922-A	Handrail UPRT at Ladder Cage Extension Stepper Plat	1
24	GT1-0921-A	Toe Board End Cap R.H. and L.H.	1

30' Outside Catwalk Package (GT4-1039-30A)

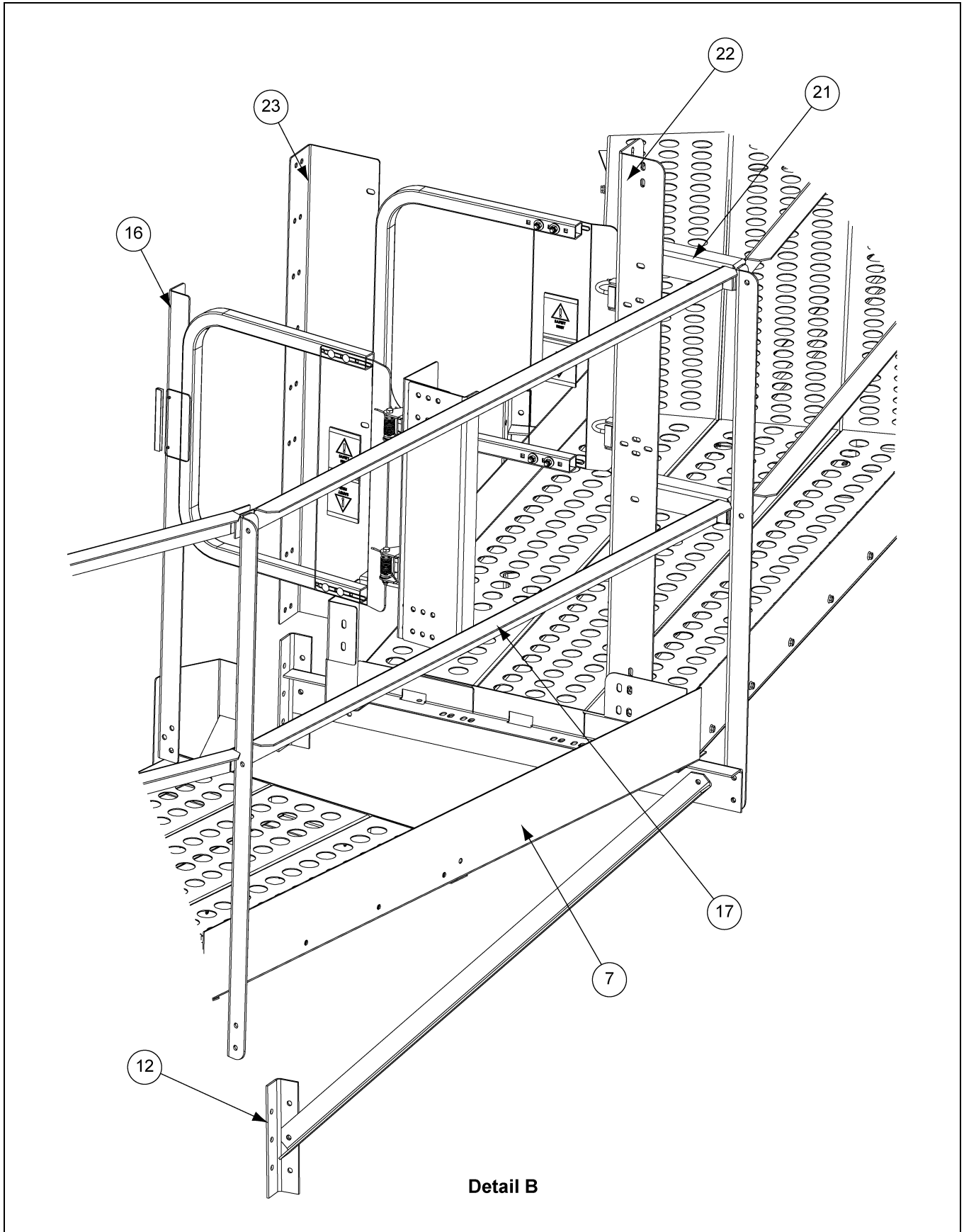


NOTE: For further details, refer [Pages 38, 39 and 40](#).

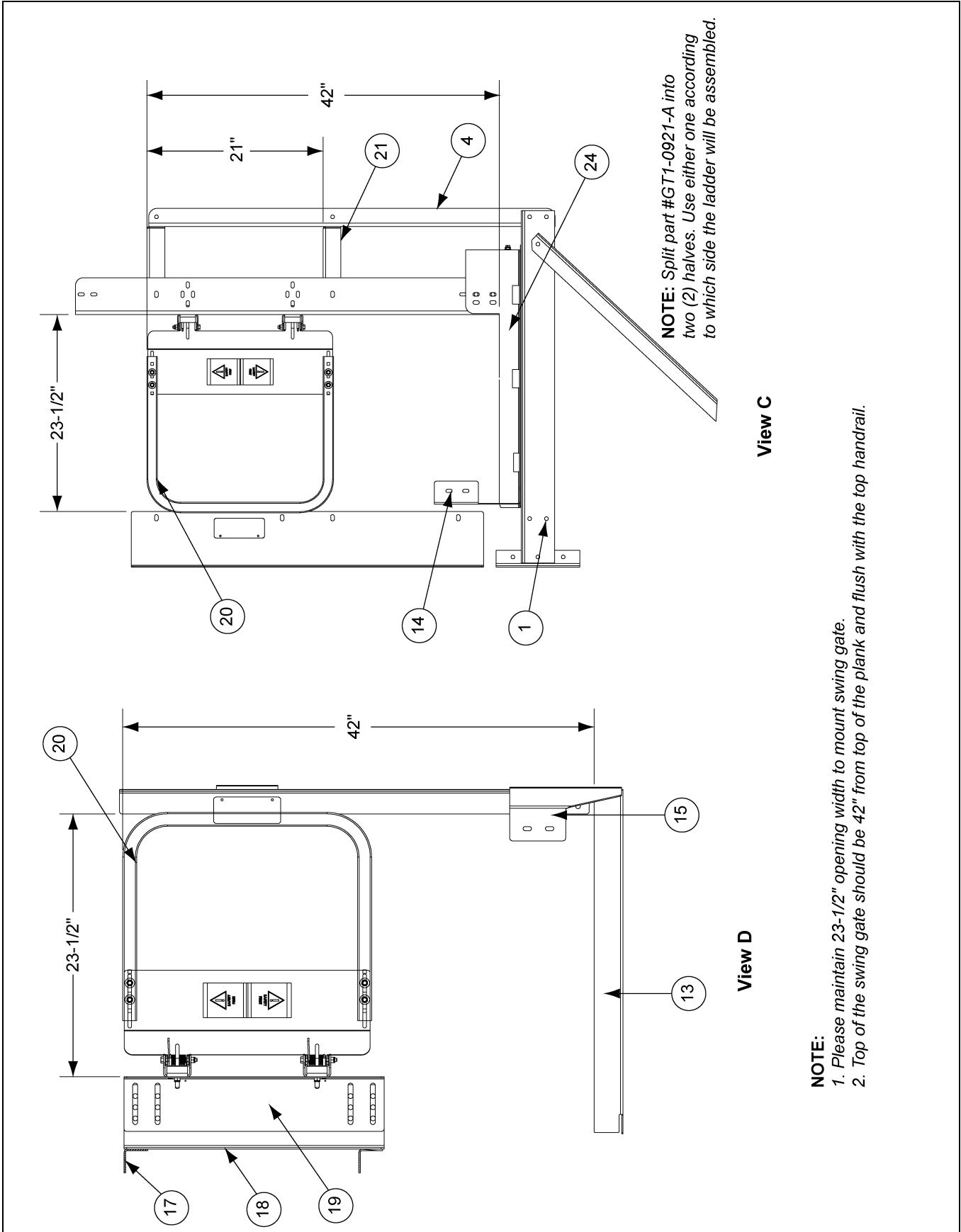
30' Outside Catwalk Package (GT4-1039-30A) (Continued)



30' Outside Catwalk Package (GT4-1039-30A) (Continued)



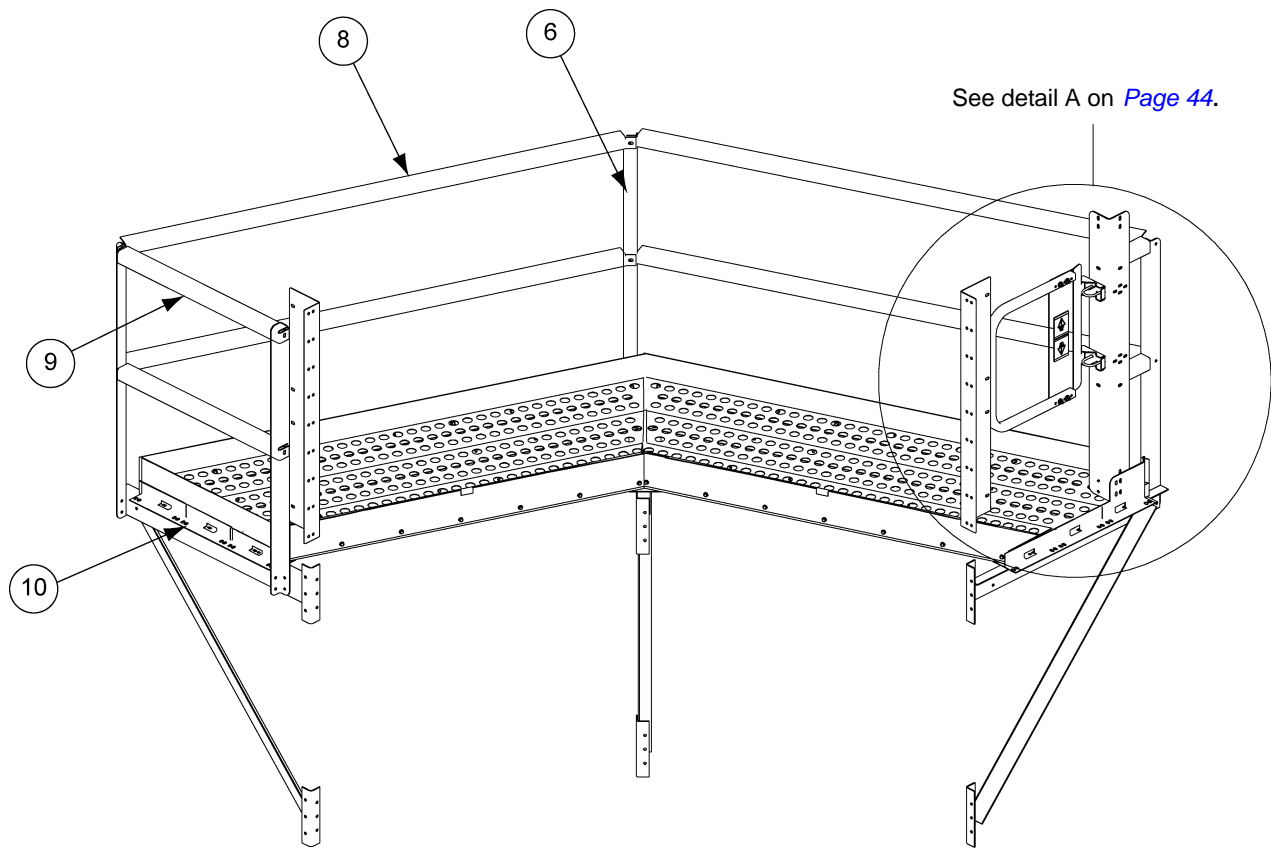
30' Outside Catwalk Package (GT4-1039-30A) (Continued)



30' Outside Catwalk Package (GT4-1039-30A) Parts List

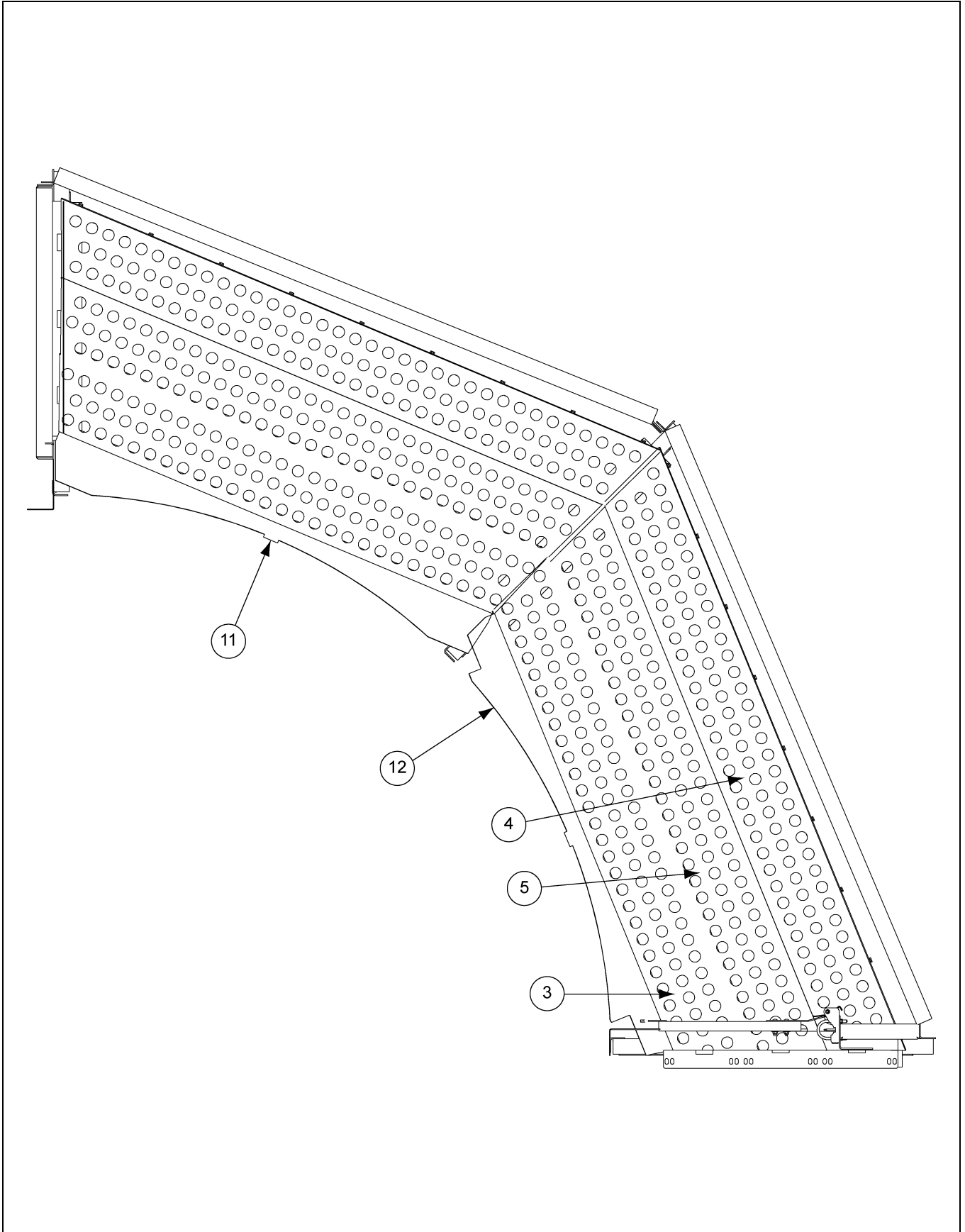
Ref #	Part #	Description	Qty
1	GT4-1303	Catwalk Floor Support	20
2	GT4-1302-30A	Outside Catwalk Inner Plank Assembly - 30'	19
3	GT1-0728-A	Outside Catwalk Plank - 30' - 65.3" Standardized	19
4	GT1-0005-A	Catwalk Vertical Support	20
5	GT1-0732	Outside Catwalk Handrail - 30'	38
6	GT4-1301-30A	Outside Catwalk Outer Plank Assembly - 30'	19
7	GT1-0744-A	Outer Toe Board, Outside Catwalk - 30' Diameter Dryer	1
8	GT1-0745-A	Inner Toe Board Outside Catwalk Door - 30' Diameter Dryer	1
9	GT1-0741-A	Plank, Outside Catwalk DR-Small FLR - 30' - 33.75" Standardized	1
10	GT1-0740-A	Plank, Outside Catwalk DR-Medium FLR - 30' - 35.31" Standardized	1
11	GT1-0739-A	Plank, Outside Catwalk DR-Large FLR - 30' - 36.93" Standardized	1
12	GT1-0162	Catwalk Support Clip	40
13	GT1-1538-30	Extended Platform Edge Toe Board, 18' Diameter Dryer	1
14	GT1-1531-30	Bracket, Toe Board Ladder Connection, Right Side, 30' Dryer	1
15	GT1-1532-30	Bracket, Toe Board Ladder Connection, Left Side, 30' Dryer	1
16	GT1-1540	Angle, Swing Gate Stop	1
17	GT1-0732-30	Handrail, Outside Catwalk 30' - Swing Gate Mounting	2
18	GT1-1510B-A	Bracket, Outside Catwalk Inner Rail to All Tower Dryers	1
19	GT1-1539	Bracket, Outside Catwalk Swing Gate Mounting Universal	1
20	GT3-1135	Swing Gate, 21" (Opening Width - 23-1/2")	2
21	GT1-0920-A	Handrail, Platform End at Stepmover, Catwalks Universal	2
22	GT1-0922-A	Handrail UPRT at Ladder Cage Extension Stepmover Plat	1
23	GT1-1510B-B	Bracket, Outside Catwalk Inner Rail to 18', 24' and 30' Dryer	1
24	GT1-0921-A	Toe Board End Cap R.H. and L.H.	1

12' Offset Platform Package (GT4-1047-12A)

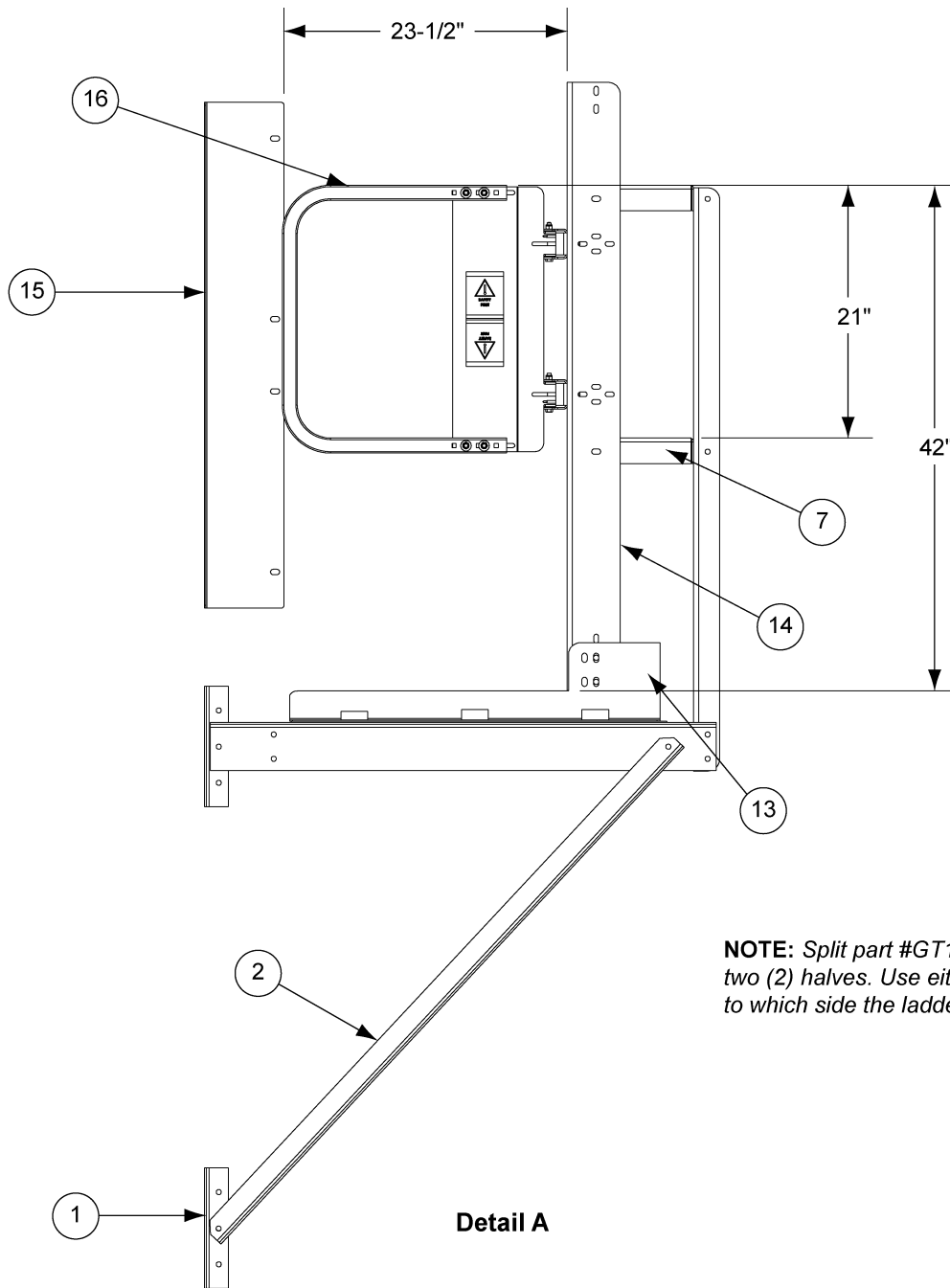


NOTE: For further details, refer [Pages 43 and 44](#).

12' Offset Platform Package (GT4-1047-12A) (Continued)



12' Offset Platform Package (GT4-1047-12A) (Continued)



NOTE: Split part #GT1-0921-A into two (2) halves. Use either one according to which side the ladder will be assembled.

Detail A

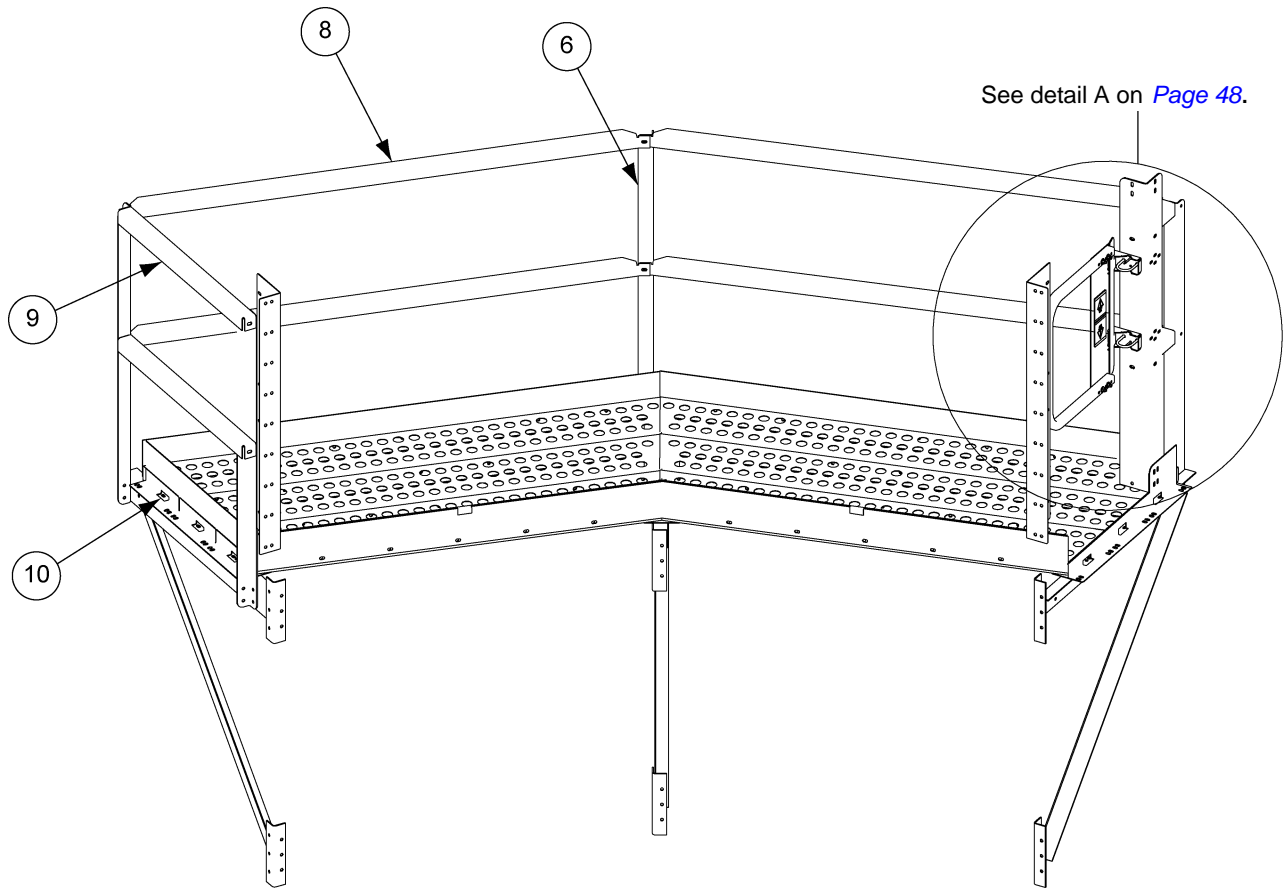
NOTE:

1. Please maintain 23-1/2" opening width to mount swing gate.
2. Top of the swing gate should be 42" from top of the plank and flush with the top handrail.

12' Offset Platform Package (GT4-1047-12A) Parts List

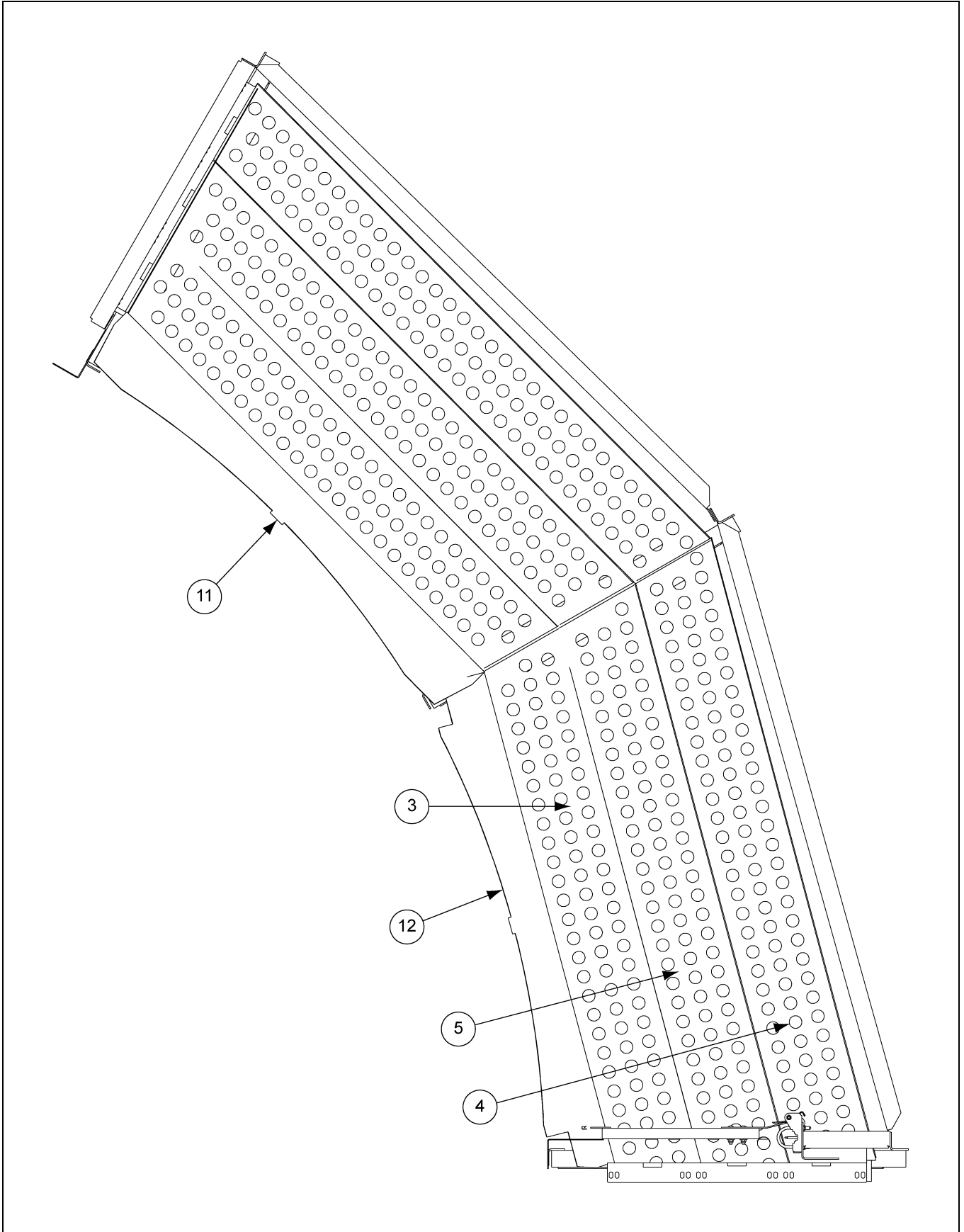
Ref #	Part #	Description	Qty
1	GT1-0162	Catwalk Support Clip	6
2	GT4-1303	Catwalk Floor Support	3
3	GT4-1302-12A	Outside Catwalk Inner Plank Assembly - 12'	2
4	GT4-1301-12A	Outside Catwalk Outer Plank Assembly - 12'	2
5	GT1-0459	Plank, Outside Catwalk - 12' - 77.45"	2
6	GT1-0005-A	Catwalk Vertical Support	4
7	GT1-0920-A	Handrail, Platform End at Stepmover, Catwalks Universal	2
8	GT1-0463	Outside Catwalk Handrail 24'	4
9	GT1-0919	Handrail, Catwalk OS Catwalk End	2
10	GT1-0833-A	Extended Platform Edge Toe Board, Offset and Toe Board	1
11	GT1-1512L12	Guard Stepmover Wide - 12'	1
12	GT1-1512N12	Guard Stepmover Notched - 12'	1
13	GT1-0921-A	Toe Board End Cap R.H. and L.H.	1
14	GT1-0922-A	Handrail UPRT at Ladder Cage Extension Stepmover Plat	1
15	GT1-1510B-B	Bracket, Outside Catwalk Inner Rail to 18', 24' and 30' Dryer	2
16	GT3-1135	Swing Gate, 21" (Opening Width - 23-1/2")	1
N/S	PL-8286	Package of 25 ea. S-275 and S-396 Package	1
N/S	DC-1901	Decal, Warning; No Step	2
N/S	S-1054	Split Lock Washer 3/8" ZN	10
N/S	S-456	Hex Nut 3/8"-16 YDP Grade 5	10
N/S	S-7469	Bolt, HHCS 3/8"-16 x 1" ZN Grade 5	10
N/S	401-4270-5	Door Handle	2

18' Offset Platform Package (GT4-1047-18A)

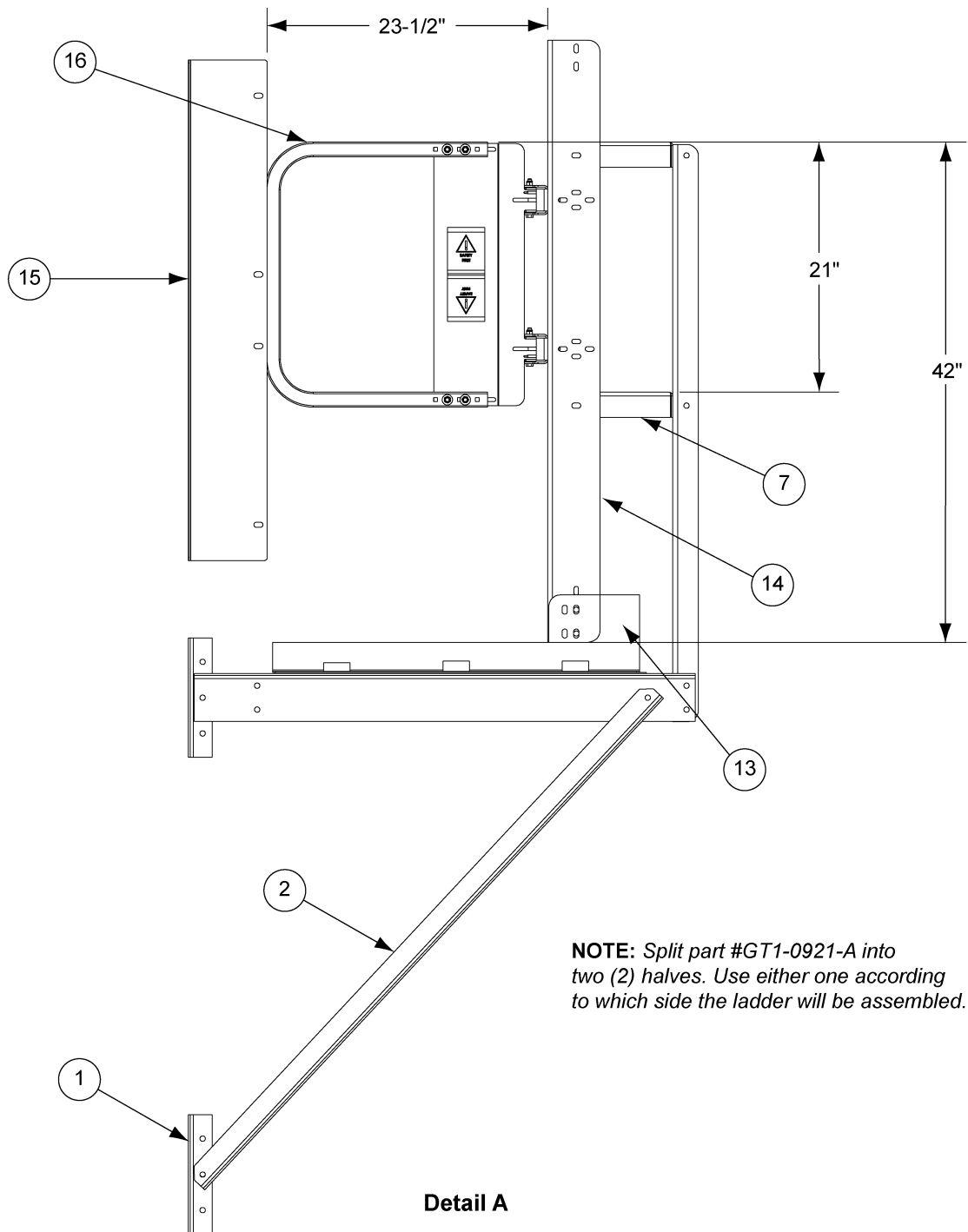


NOTE: For further details, refer [Pages 47 and 48](#).

18' Offset Platform Package (GT4-1047-18A) (Continued)



18' Offset Platform Package (GT4-1047-18A) (Continued)



NOTE: Split part #GT1-0921-A into two (2) halves. Use either one according to which side the ladder will be assembled.

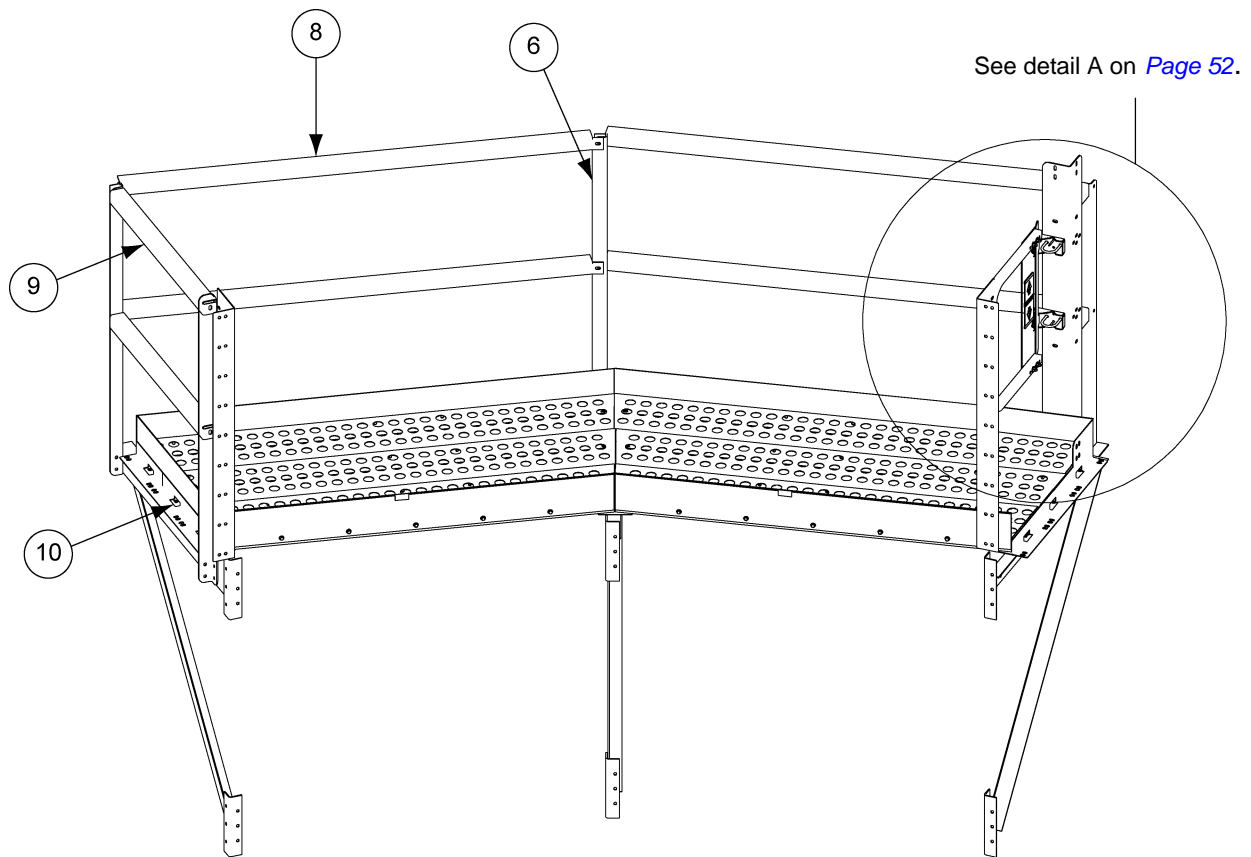
NOTE:

1. Please maintain 23-1/2" opening width to mount swing gate.
2. Top of the swing gate should be 42" from top of the plank and flush with the top handrail.

18' Offset Platform Package (GT4-1047-18A) Parts List

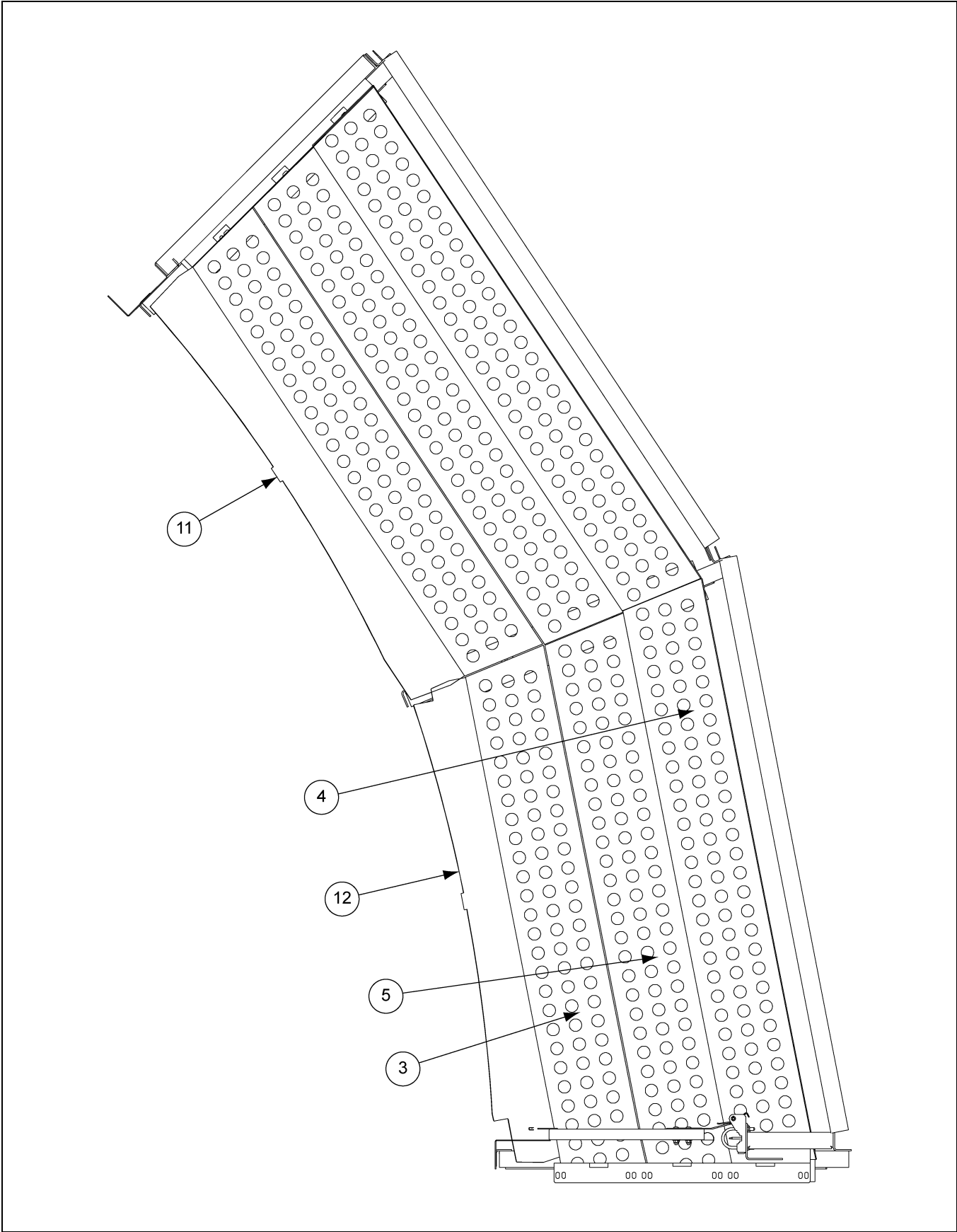
Ref #	Part #	Description	Qty
1	GT1-0162	Catwalk Support Clip	6
2	GT4-1303	Catwalk Floor Support	3
3	GT4-1302-18A	18' Diameter Outside Catwalk Toe Plank	2
4	GT4-1301-18A	Outside Catwalk Outer Toe Plank	2
5	GT1-0435-A	Plank, Outside Catwalk - 18' - 70.95" Standardized	2
6	GT1-0005-A	Catwalk Vertical Support	4
7	GT1-0920-A	Handrail, Platform End at Steptover, Catwalks Universal	2
8	GT1-0009	Outside Catwalk Handrail 18'	4
9	GT1-0919	Handrail, Catwalk OS Catwalk End	2
10	GT1-0833-A	Extended Platform Edge Toe Board, Offset and Toe Board	1
11	GT1-1512L18	Guard Steptover Wide - 18'	1
12	GT1-1512N18	Guard Steptover Notched - 18'	1
13	GT1-0921-A	Toe Board End Cap R.H. and L.H.	1
14	GT1-0922-A	Handrail UPRT at Ladder Cage Extension Steptover Plat	1
15	GT1-1510B-B	Bracket, Outside Catwalk Inner Rail to 18', 24' and 30' Dryer	2
16	GT3-1135	Swing Gate, 21" (Opening Width - 23-1/2")	1
N/S	PL-8286	Package of 25 ea. S-275 and S-396 Package	1
N/S	DC-1901	Decal, Warning; No Step	2
N/S	S-1054	Split Lock Washer 3/8" ZN	10
N/S	S-456	Hex Nut 3/8"-16 YDP Grade 5	10
N/S	S-7469	Bolt, HHCS 3/8"-16 x 1" ZN Grade 5	10
N/S	401-4270-5	Door Handle	1

24' Offset Platform Package (GT4-1047-24A)

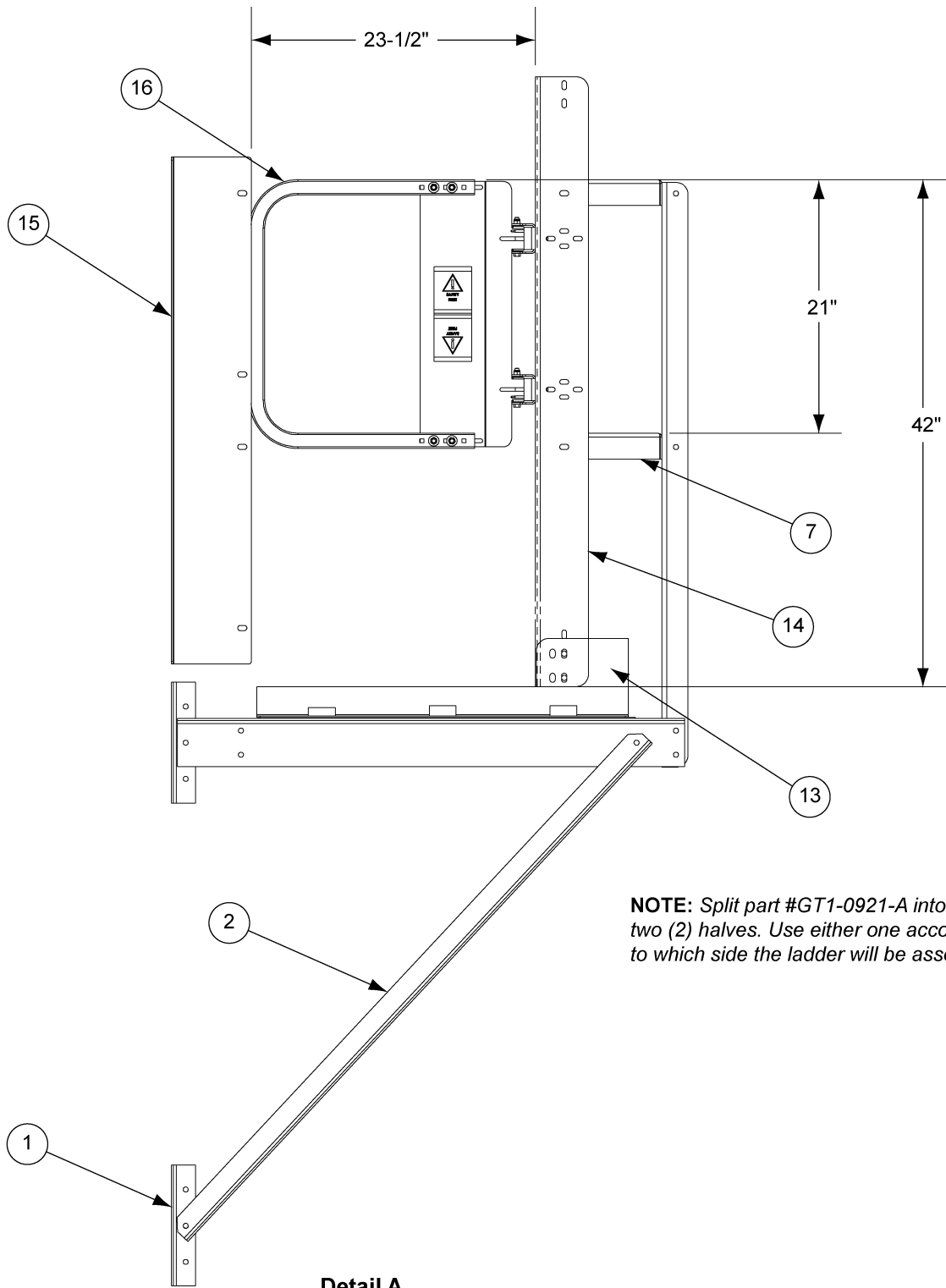


NOTE: For further details, refer [Pages 51 and 52](#).

24' Offset Platform Package (GT4-1047-24A) (Continued)



24' Offset Platform Package (GT4-1047-24A) (Continued)



NOTE: Split part #GT1-0921-A into two (2) halves. Use either one according to which side the ladder will be assembled.

Detail A

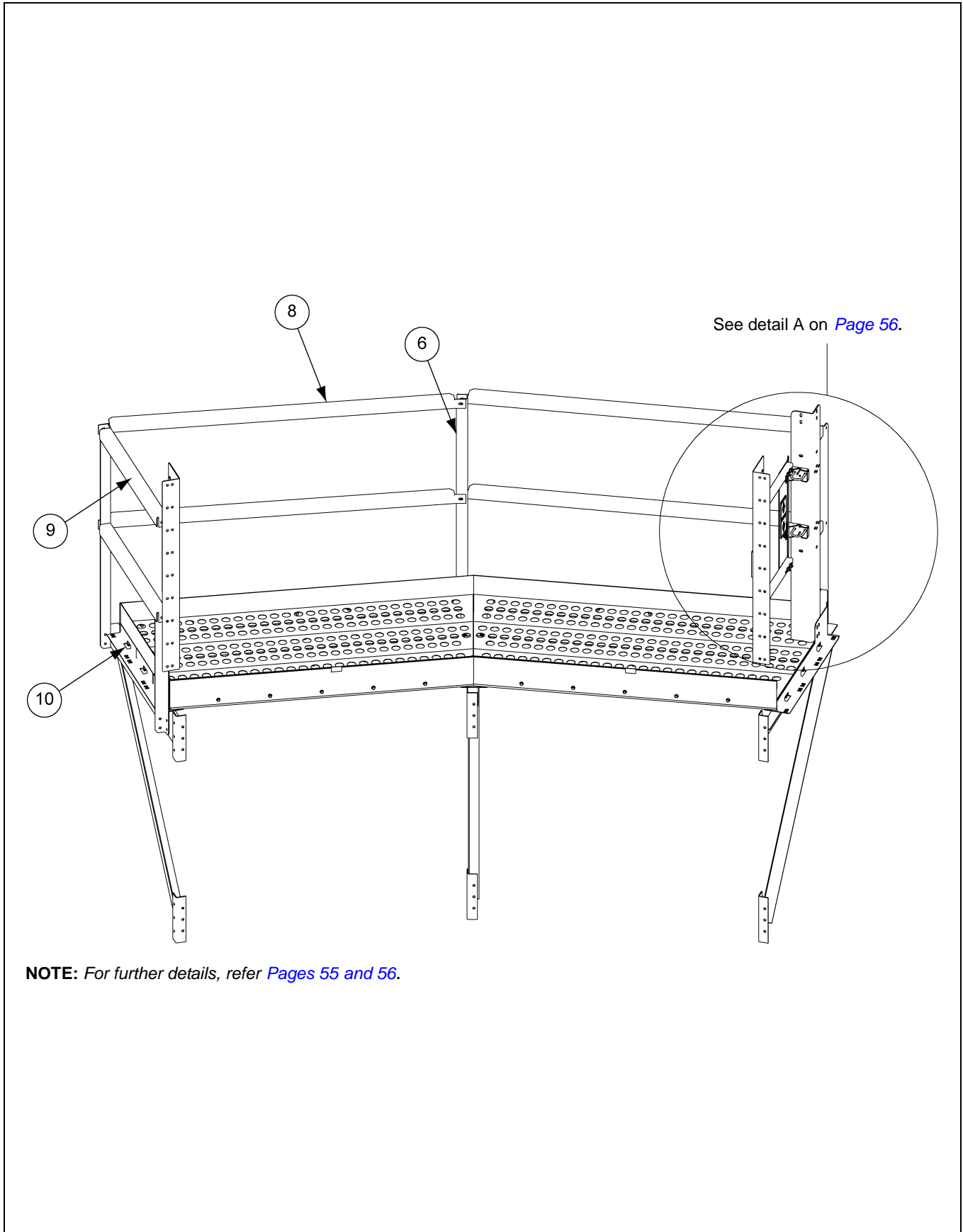
NOTE:

1. Please maintain 23-1/2" opening width to mount swing gate.
2. Top of the swing gate should be 42" from top of the plank and flush with the top handrail.

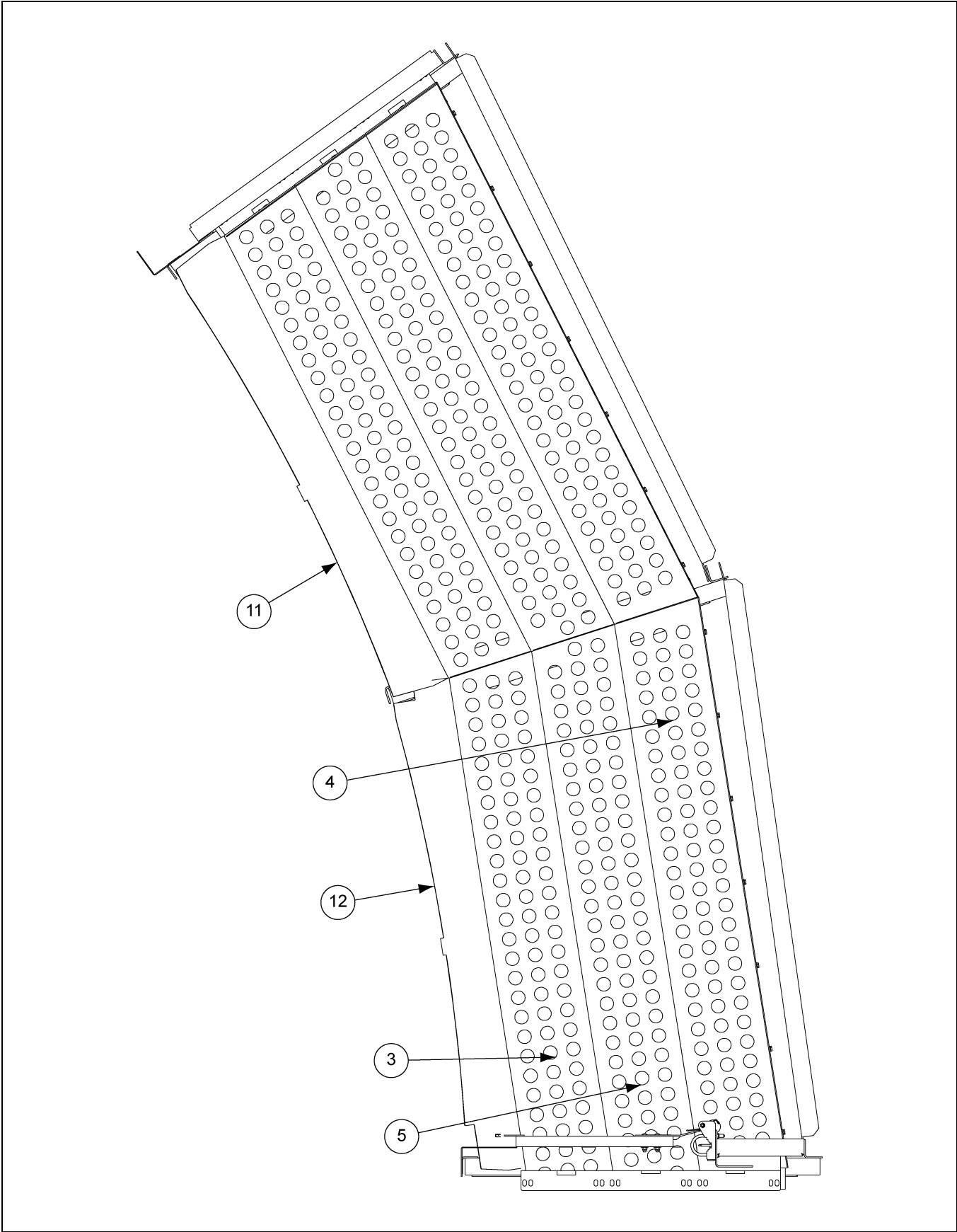
24' Offset Platform Package (GT4-1047-24A) Parts List

Ref #	Part #	Description	Qty
1	GT1-0162	Catwalk Support Clip	6
2	GT4-1303	Catwalk Floor Support	3
3	GT4-1302-24A	Outside Catwalk Inner Plank Assembly - 24'	2
4	GT4-1301-24A	Outside Catwalk Outer Plank Assembly - 24'	2
5	GT1-0559-A	Plank, Outside Catwalk - 24' - 67.14" Standardized	2
6	GT1-0005-A	Catwalk Vertical Support	4
7	GT1-0920-A	Handrail, Platform End at Stepmover, Catwalks Universal	2
8	GT1-0309	Outside Catwalk Handrail 24'	4
9	GT1-0919	Handrail, Catwalk OS Catwalk End	2
10	GT1-0833-A	Extended Platform Edge Toe Board, Offset and Toe Board	1
11	GT1-1512L24	Guard Stepmover Wide - 24'	1
12	GT1-1512N24	Guard Stepmover Notched - 24'	1
13	GT1-0921-A	Toe Board End Cap R.H. and L.H.	1
14	GT1-0922-A	Handrail UPRT at Ladder Cage Extension Stepmover Plat	1
15	GT1-1510B-B	Bracket, Outside Catwalk Inner Rail to 18', 24' and 30' Dryer	2
16	GT3-1135	Swing Gate, 21" (Opening Width - 23-1/2")	1
N/S	PL-8286	Package of 25 ea. S-275 and S-396 Package	1
N/S	DC-1901	Decal, Warning; No Step	2
N/S	S-1054	Split Lock Washer 3/8" ZN	10
N/S	S-456	Hex Nut 3/8"-16 YDP Grade 5	10
N/S	S-7469	Bolt, HHCS 3/8"-16 x 1" ZN Grade 5	10
N/S	401-4270-5	Door Handle	2

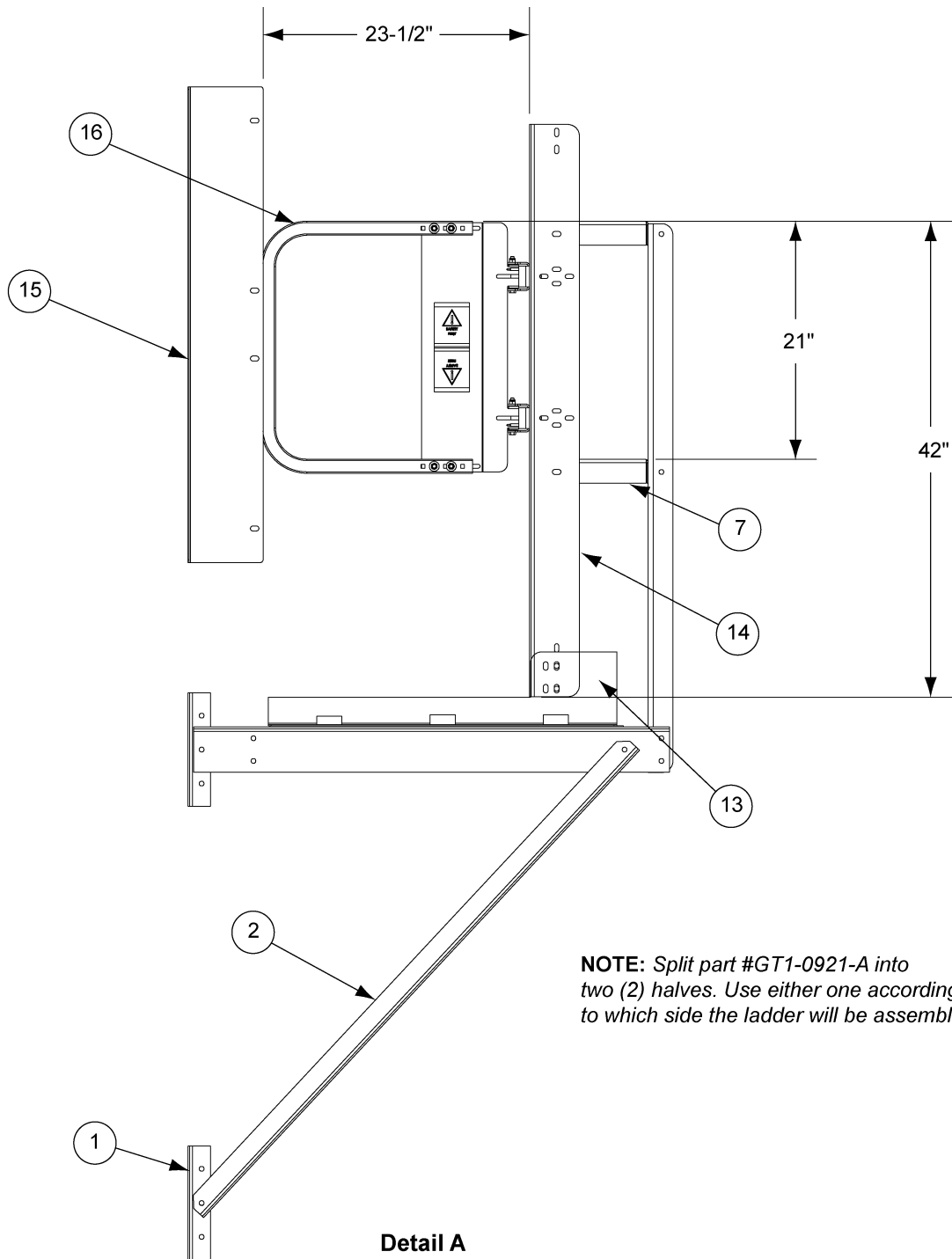
30' Offset Platform Package (GT4-1047-30A)



30' Offset Platform Package (GT4-1047-30A) (Continued)



30' Offset Platform Package (GT4-1047-30A) (Continued)



NOTE: Split part #GT1-0921-A into two (2) halves. Use either one according to which side the ladder will be assembled.

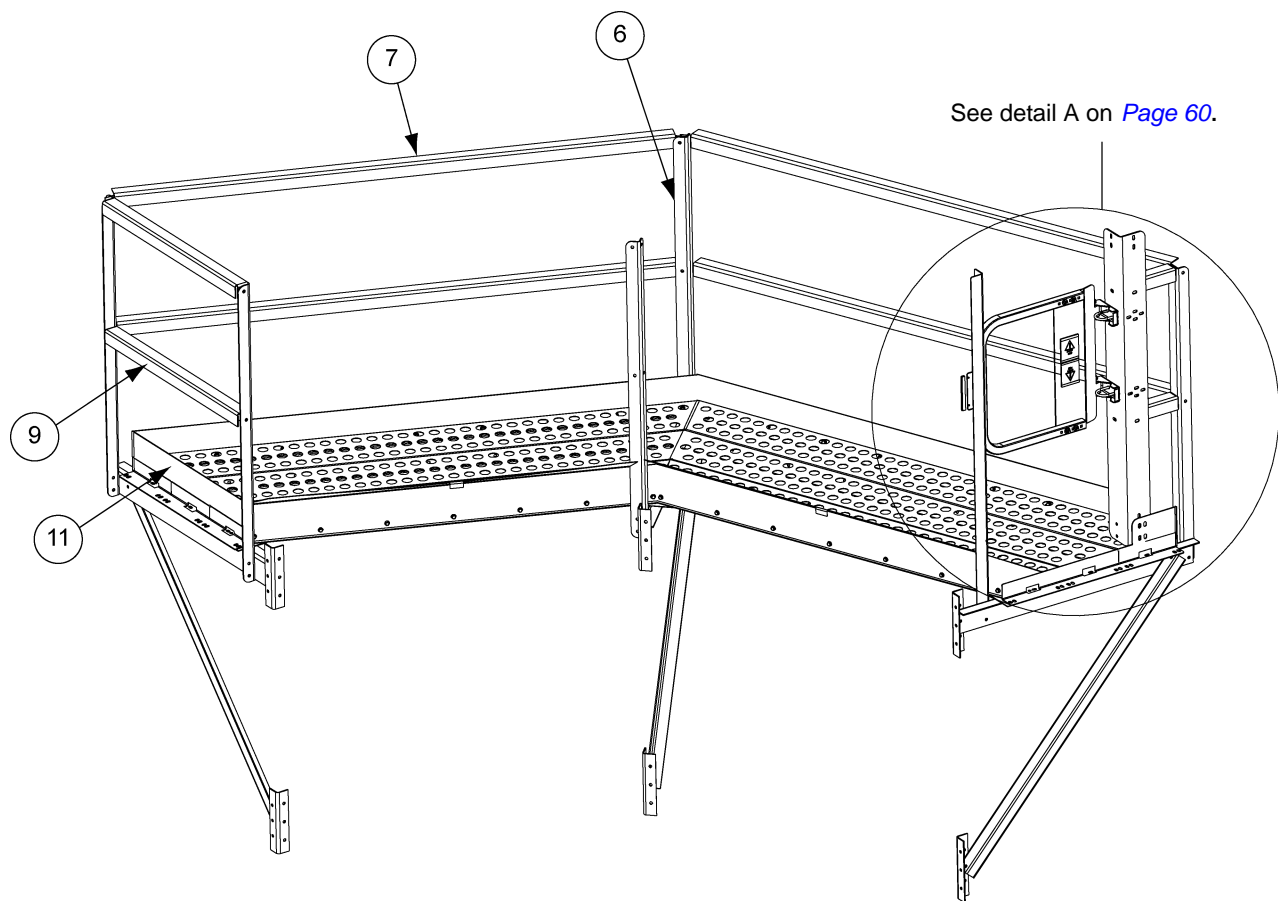
Detail A

- NOTE:**
- 1. Please maintain 23-1/2" opening width to mount swing gate.
 - 2. Top of the swing gate should be 42" from top of the plank and flush with the top handrail.

30' Offset Platform Package (GT4-1047-30A) Parts List

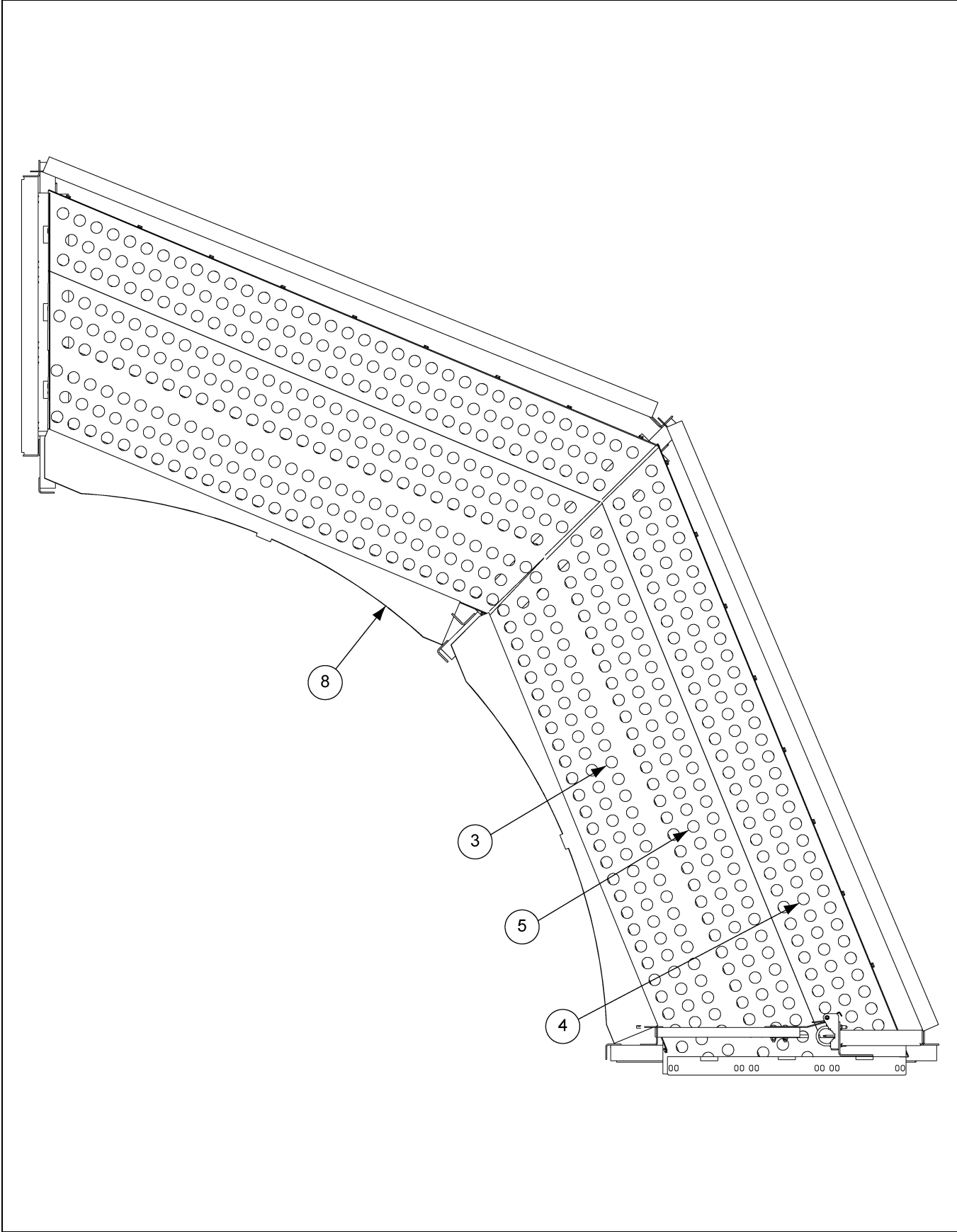
Ref #	Part #	Description	Qty
1	GT1-0162	Catwalk Support Clip	6
2	GT4-1303	Catwalk Floor Support	3
3	GT4-1302-30A	Outside Catwalk Inner Plank Assembly - 30'	2
4	GT4-1301-30A	Outside Catwalk Outer Plank Assembly - 30'	2
5	GT1-0728-A	Outside Catwalk Plank - 30' - 65.3" Standardized	2
6	GT1-0005-A	Catwalk Vertical Support	4
7	GT1-0920-A	Handrail, Platform End at Stepmover, Catwalks Universal	2
8	GT1-0732	Outside Catwalk Handrail - 30'	4
9	GT1-0919	Handrail, Catwalk OS Catwalk End	2
10	GT1-0833-A	Extended Platform Edge Toe Board, Offset and Toe Board	1
11	GT1-1512L30	Guard Stepmover Wide - 30'	1
12	GT1-1512N30	Guard Stepmover Notched - 30'	1
13	GT1-0921-A	Toe Board End Cap R.H. and L.H.	1
14	GT1-0922-A	Handrail UPRT at Ladder Cage Extension Stepmover Plat	1
15	GT1-1510B-B	Bracket, Outside Catwalk Inner Rail to 18', 24' and 30' Dryer	2
16	GT3-1135	Swing Gate, 21" (Opening Width - 23-1/2")	1
N/S	PL-8286	Package of 25 ea. S-275 and S-396 Package	1
N/S	DC-1901	Decal, Warning; No Step	2
N/S	S-1054	Split Lock Washer 3/8" ZN	10
N/S	S-456	Hex Nut 3/8"-16 YDP Grade 5	10
N/S	S-7469	Bolt, HHCS 3/8"-16 x 1" ZN Grade 5	10
N/S	401-4270-5	Door Handle	2

12' Roof Hatch Platform (GT4-1051-12A)

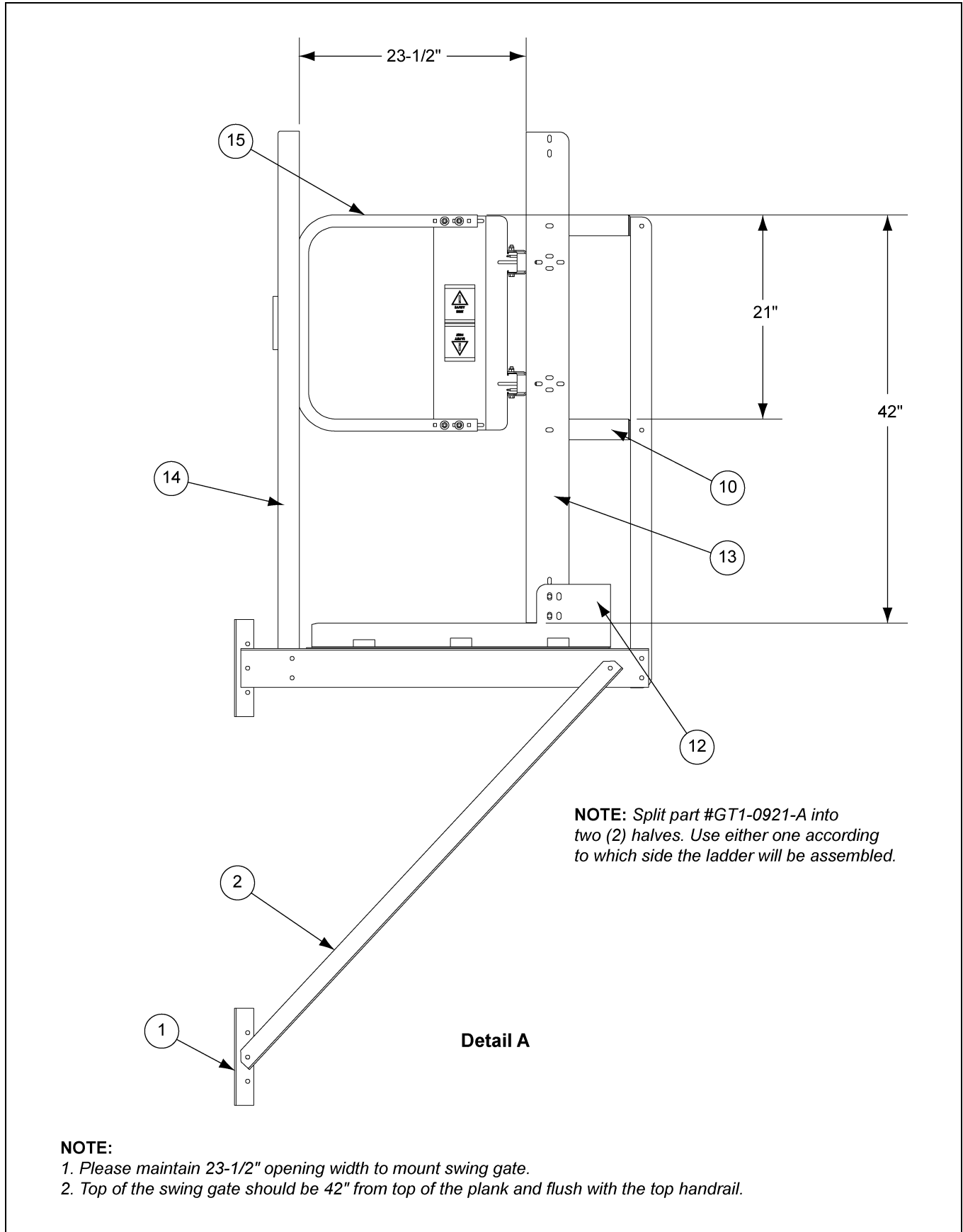


NOTE: For further details, refer [Pages 59 and 60](#).

12' Roof Hatch Platform (GT4-1051-12A) (Continued)



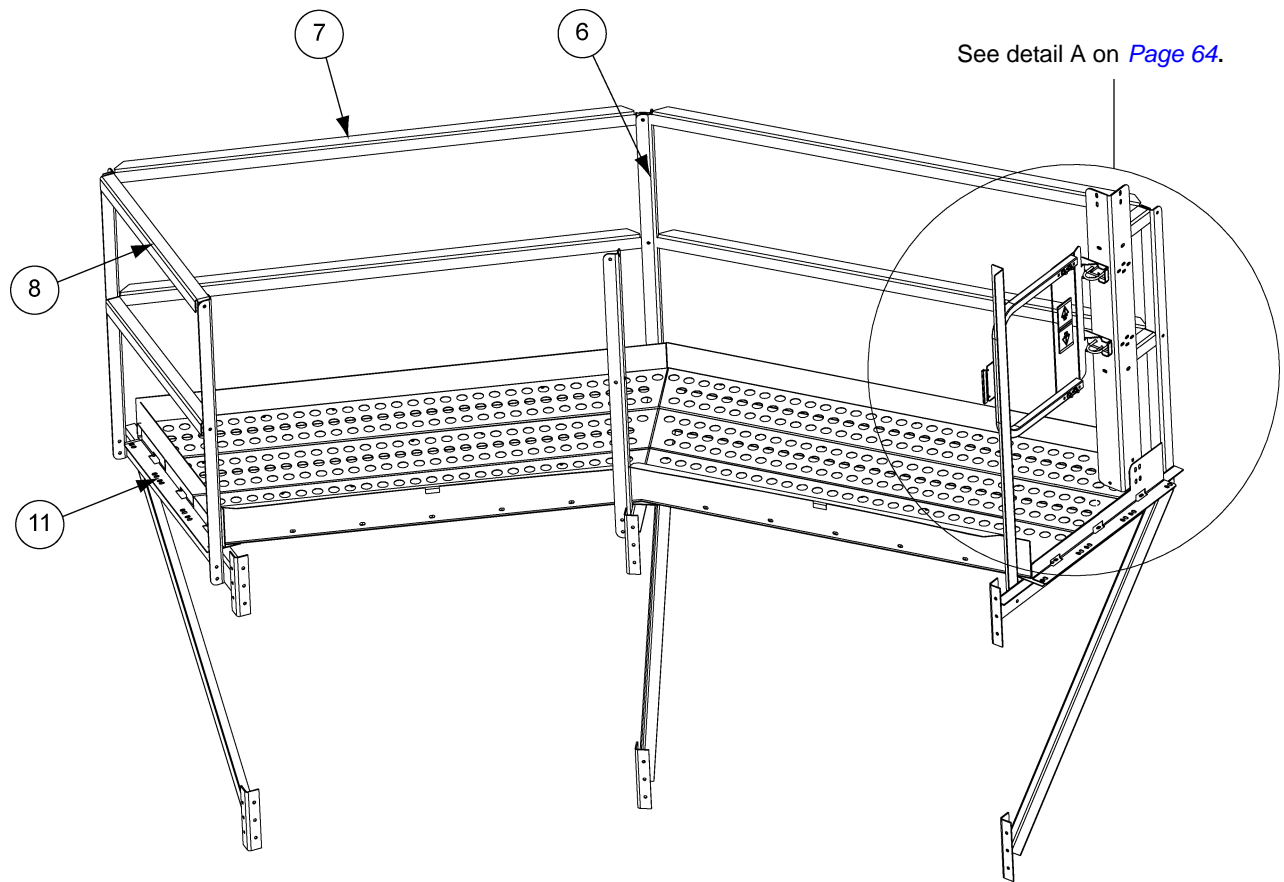
12' Roof Hatch Platform (GT4-1051-12A) (Continued)



12' Roof Hatch Platform (GT4-1051-12A) Parts List

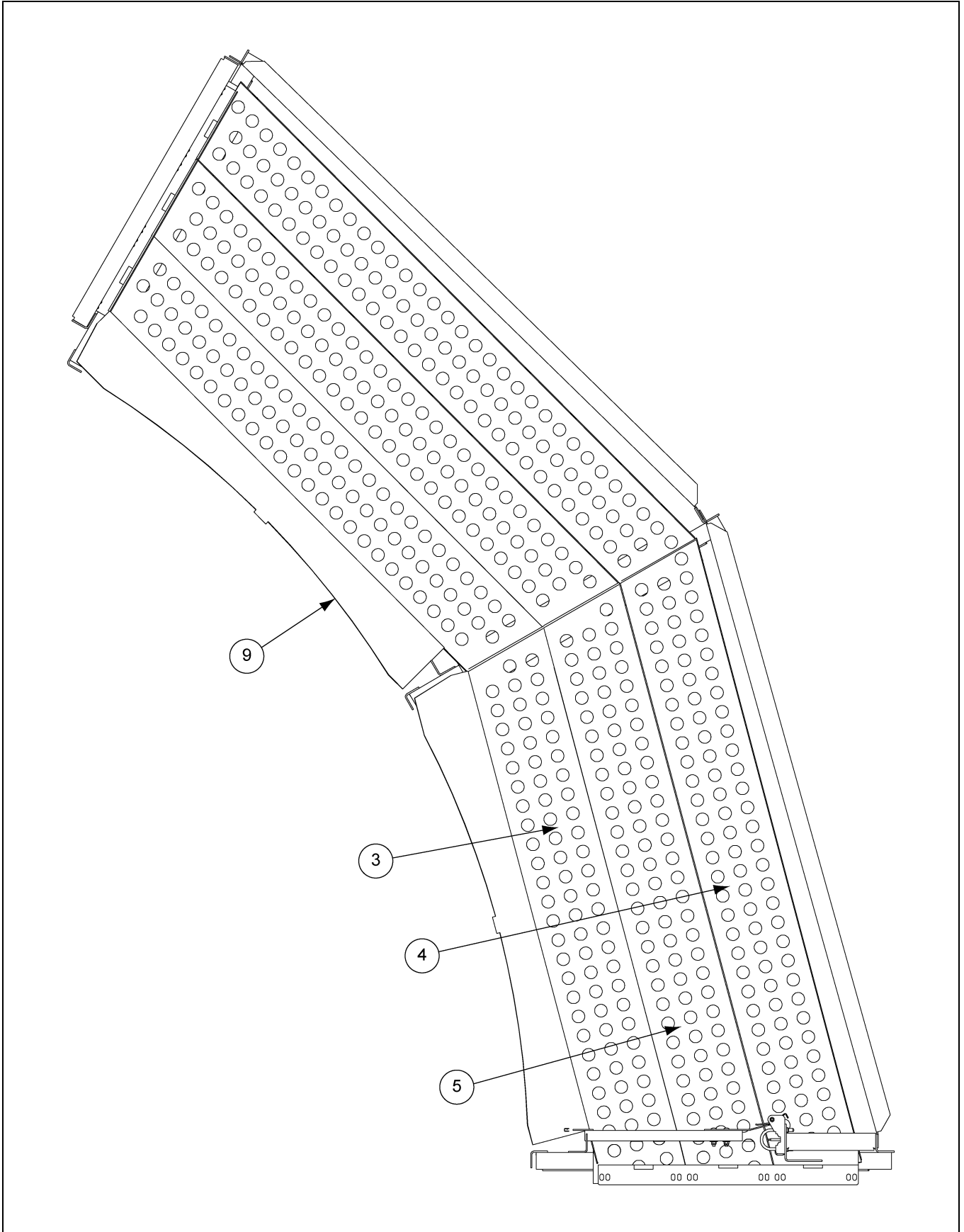
Ref #	Part #	Description	Qty
1	GT1-0162	Catwalk Support Clip	6
2	GT4-1303	Catwalk Floor Support	3
3	GT4-1302-12A	Outside Catwalk Inner Plank Assembly - 12'	2
4	GT4-1301-12A	Outside Catwalk Outer Plank Assembly - 12'	2
5	GT1-0459	Plank, Outside Catwalk - 12' - 77.45"	2
6	GT1-0005-A	Catwalk Vertical Support	5
7	GT1-0463	Outside Catwalk Handrail 24'	4
8	GT1-1512-12	Guard Stepper Outside Catwalk 12'	2
9	GT1-0919	Handrail, Catwalk OS Catwalk End	2
10	GT1-0920-B	Handrail, Roof Hatch Platform	2
11	GT1-0833-A	Extended Platform Edge Toe Board, Offset and Toe Board	1
12	GT1-0921-A	Toe Board End Cap R.H. and L.H.	1
13	GT1-0922-A	Handrail UPRT at Ladder Cage Extension Stepper Plat	1
14	GT1-1541	Angle, Swing Gate Stop	1
15	GT3-1135	Swing Gate, 21" (Opening Width - 23-1/2")	1
N/S	PL-8286	Package of 25 ea. S-275 and S-396 Package	1
N/S	GT1-1545	Bracket, Support for Vertical Upright	1

18' Roof Hatch Platform (GT4-1051-18A)

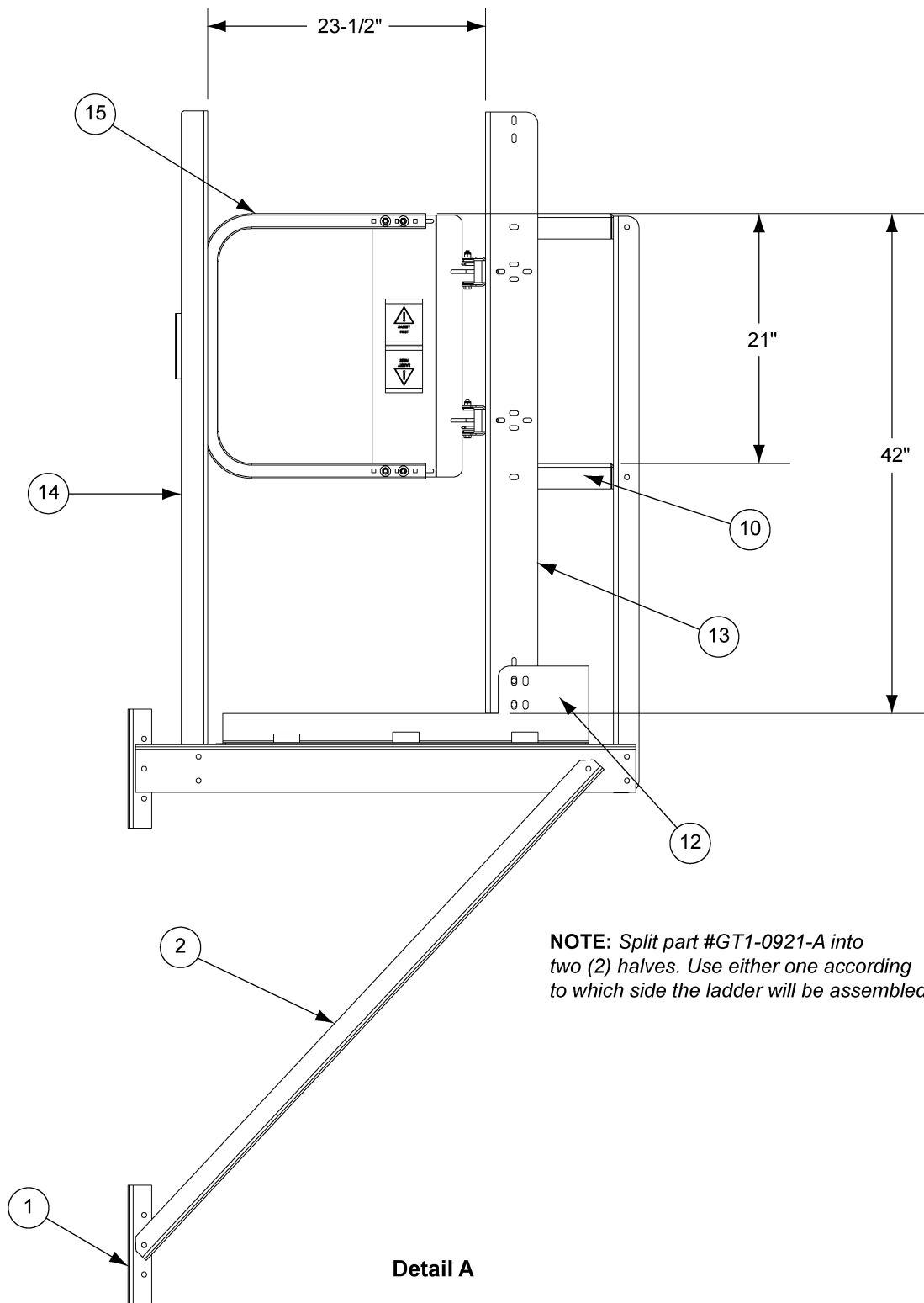


NOTE: For further details, refer [Pages 63 and 64](#).

18' Roof Hatch Platform (GT4-1051-18A) (Continued)



18' Roof Hatch Platform (GT4-1051-18A) (Continued)



NOTE: Split part #GT1-0921-A into two (2) halves. Use either one according to which side the ladder will be assembled.

Detail A

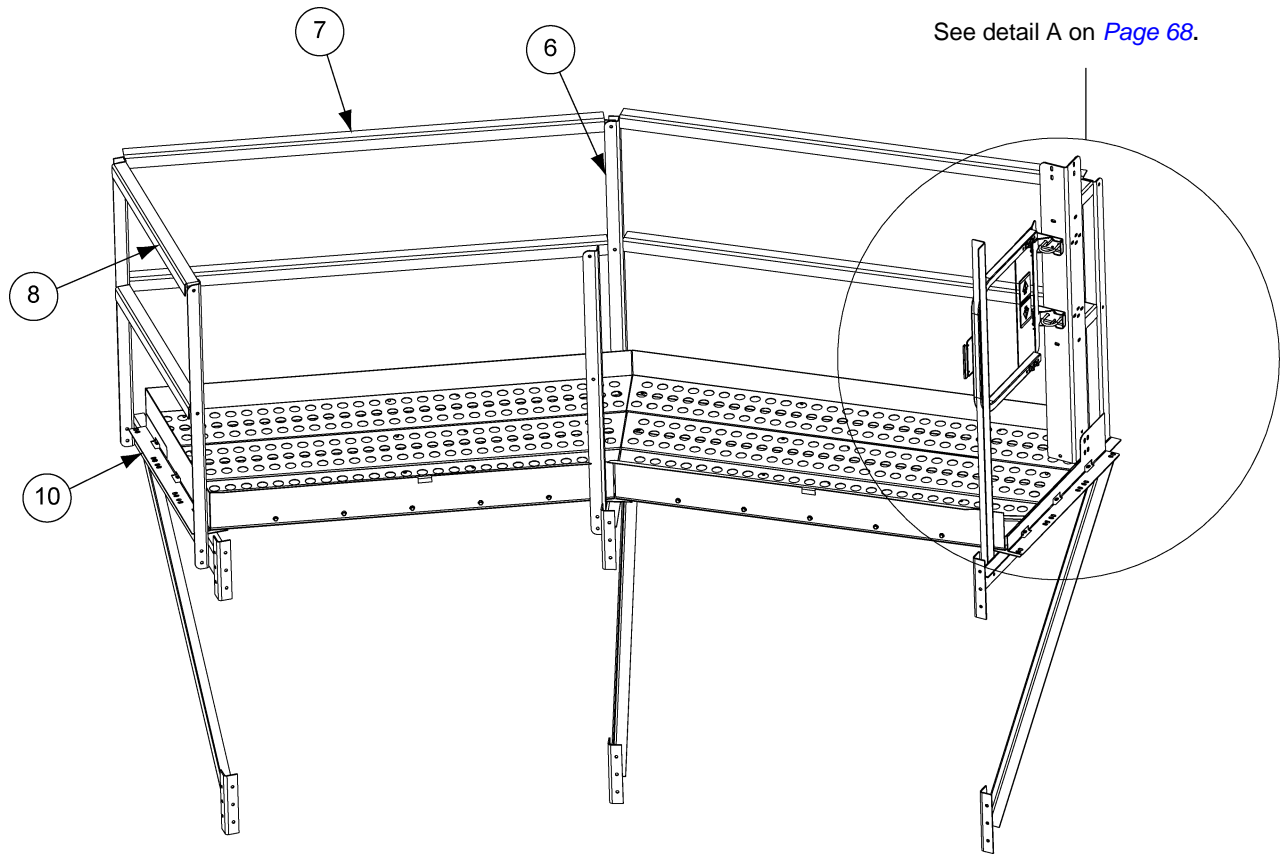
NOTE:

1. Please maintain 23-1/2" opening width to mount swing gate.
2. Top of the swing gate should be 42" from top of the plank and flush with the top handrail.

18' Roof Hatch Platform (GT4-1051-18A) Parts List

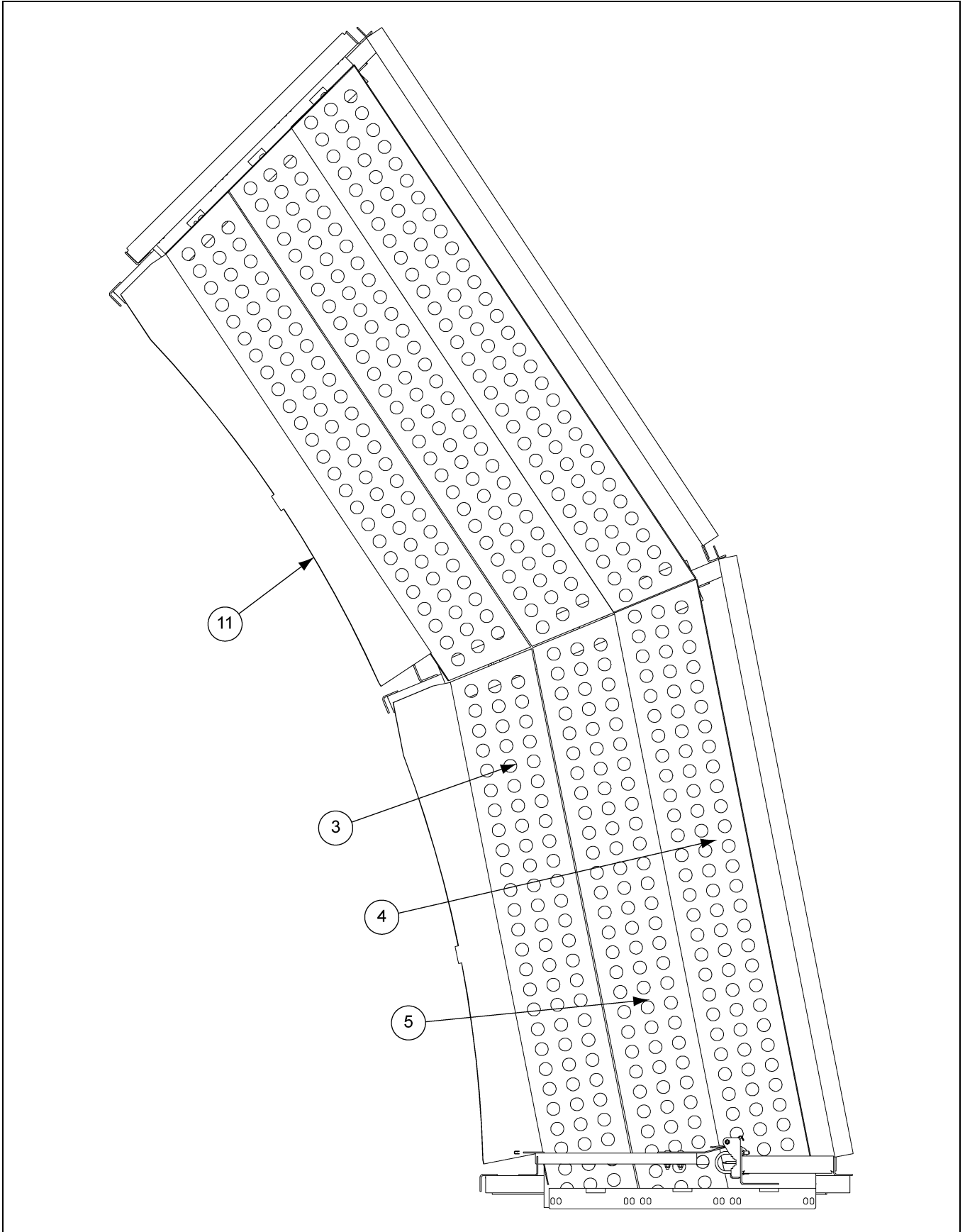
Ref #	Part #	Description	Qty
1	GT1-0162	Catwalk Support Clip	6
2	GT4-1303	Catwalk Floor Support	3
3	GT4-1302-18A	18' Diameter Outside Catwalk Toe Plank	2
4	GT4-1301-18A	Outside Catwalk Outer Toe Plank	2
5	GT1-0435-A	Plank, Outside Catwalk - 18' - 70.95" Standardized	2
6	GT1-0005-A	Catwalk Vertical Support	5
7	GT1-0009	Outside Catwalk Handrail 18'	4
8	GT1-0919	Handrail, Catwalk OS Catwalk End	2
9	GT1-1512-18	Guard Stepper Outside Catwalk - 18'	2
10	GT1-0920-B	Handrail, Roof Hatch Platform	2
11	GT1-0833-A	Extended Platform Edge Toe Board, Offset and Toe Board	1
12	GT1-0921-A	Toe Board End Cap R.H. and L.H.	1
13	GT1-0922-A	Handrail UPRT at Ladder Cage Extension Stepper Plat	1
14	GT1-1541	Angle, Swing Gate Stop	1
15	GT3-1135	Swing Gate, 21" (Opening Width - 23-1/2")	1
N/S	PL-8286	Package of 25 ea. S-275 and S-396 Package	1
N/S	GT1-1545	Bracket, Support for Vertical Upright	1

24' Roof Hatch Platform (GT4-1051-24A)

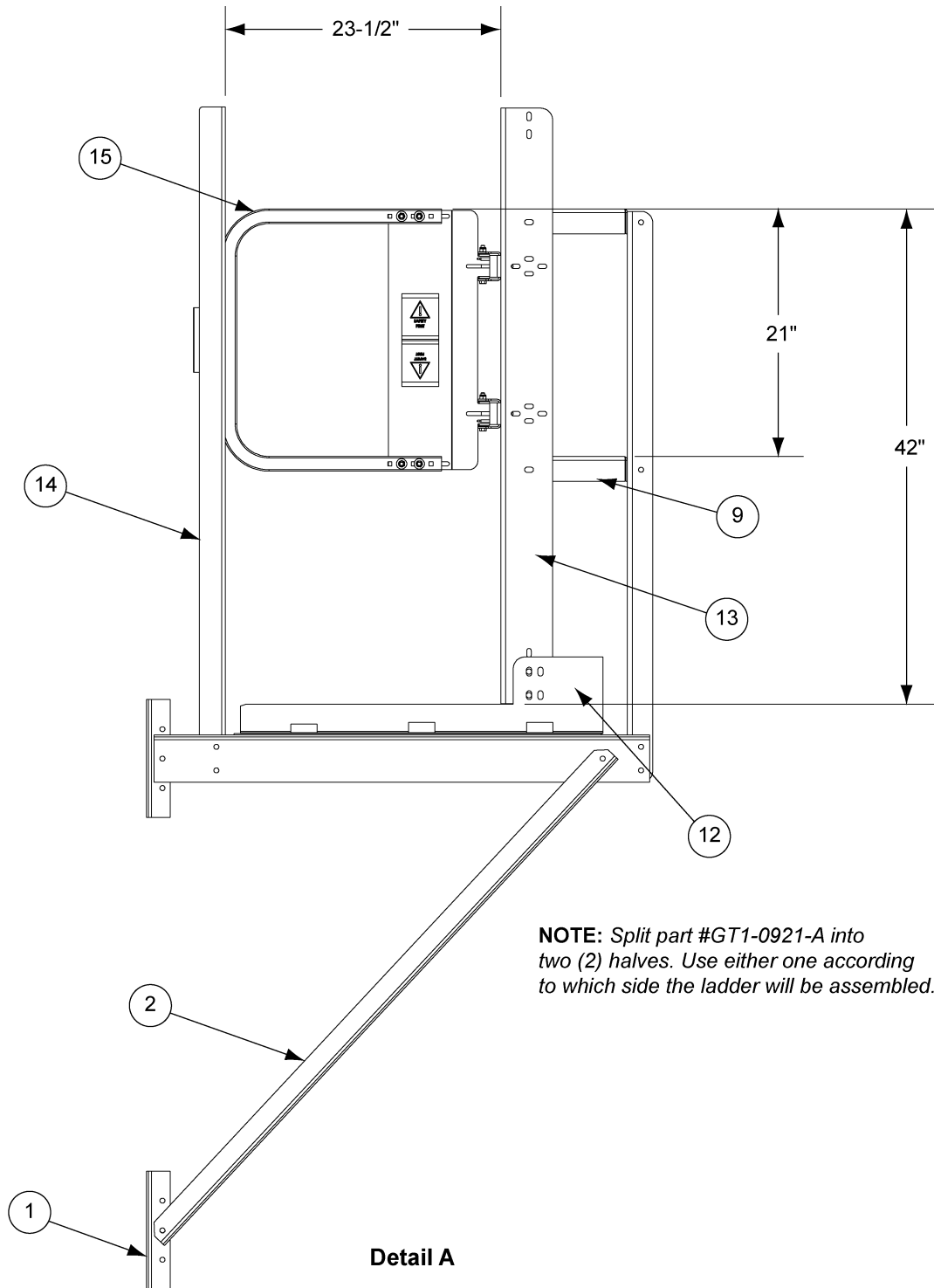


NOTE: For further details, refer [Pages 67 and 68](#).

24' Roof Hatch Platform (GT4-1051-24A) (Continued)



24' Roof Hatch Platform (GT4-1051-24A) (Continued)



NOTE: Split part #GT1-0921-A into two (2) halves. Use either one according to which side the ladder will be assembled.

Detail A

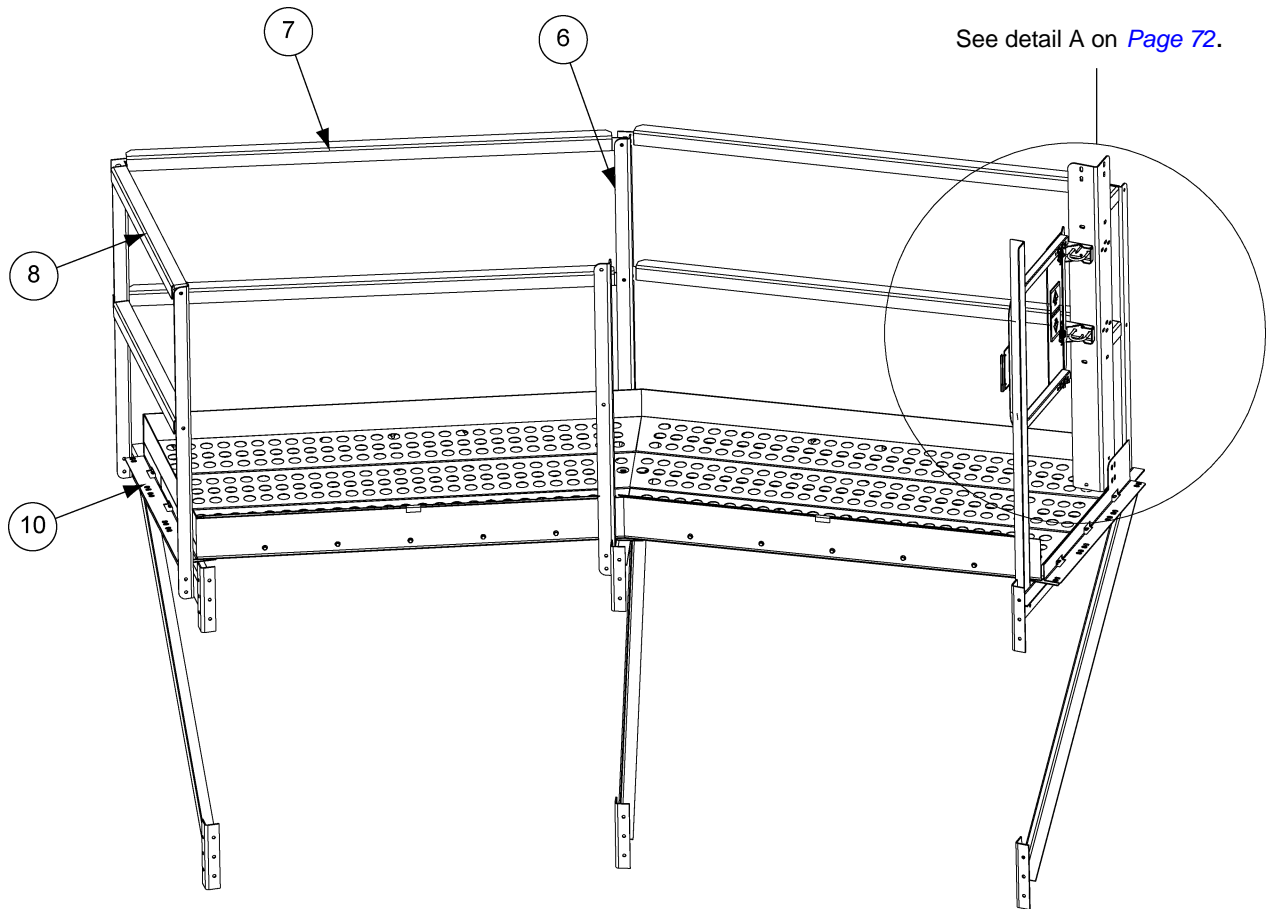
- NOTE:**
1. Please maintain 23-1/2" opening width to mount swing gate.
 2. Top of the swing gate should be 42" from top of the plank and flush with the top handrail.

24' Roof Hatch Platform (GT4-1051-24A) Parts List

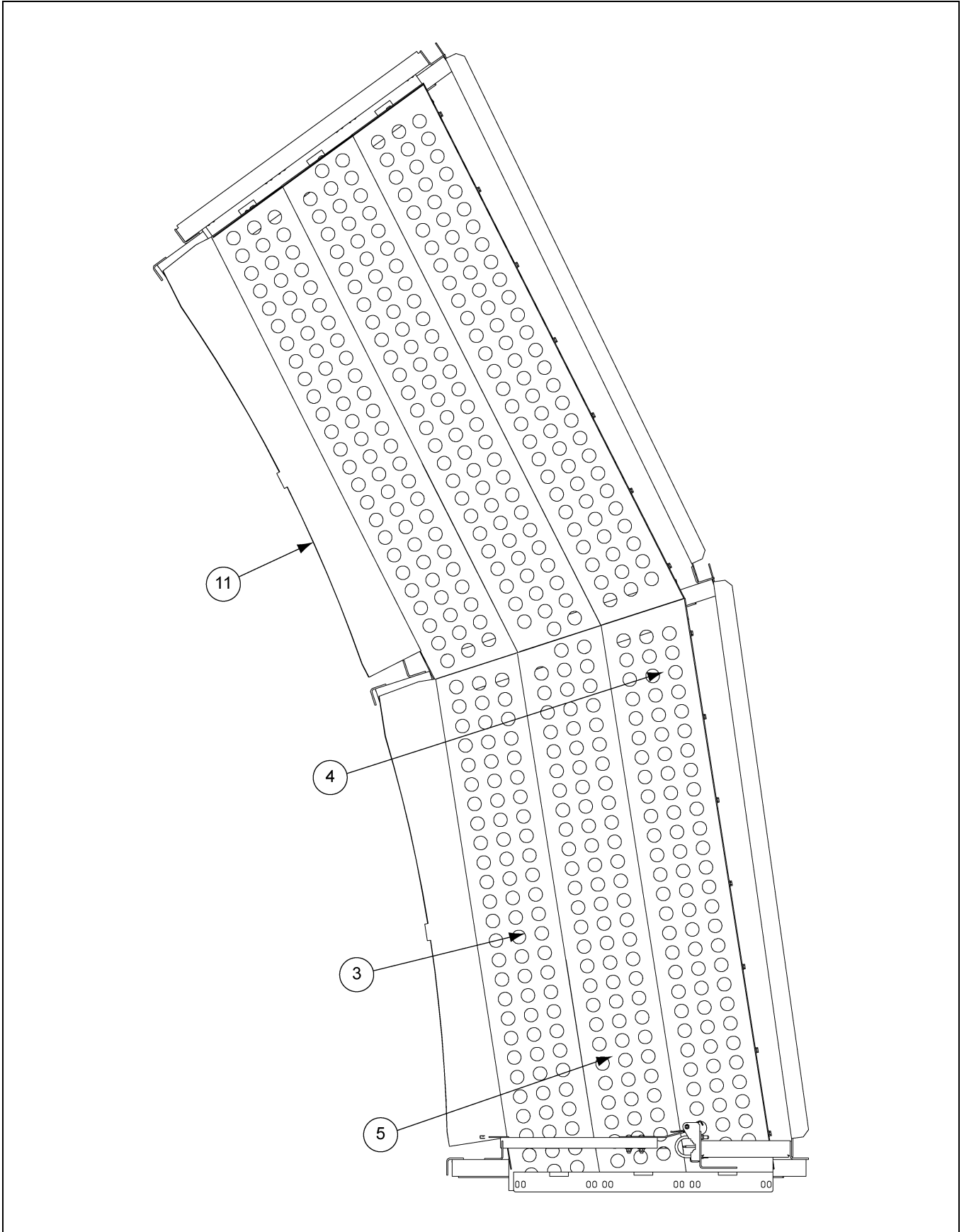
Ref #	Part #	Description	Qty
1	GT1-0162	Catwalk Support Clip	6
2	GT4-1303	Catwalk Floor Support	3
3	GT4-1302-24A	Outside Catwalk Inner Plank Assembly - 24'	2
4	GT4-1301-24A	Outside Catwalk Outer Plank Assembly - 24'	2
5	GT1-0559-A	Plank, Outside Catwalk - 24' - 67.14" Standardized	2
6	GT1-0005-A	Catwalk Vertical Support	5
7	GT1-0309	Outside Catwalk Handrail 24'	4
8	GT1-0919	Handrail, Catwalk OS Catwalk End	2
9	GT1-0920-B	Handrail, Roof Hatch Platform	2
10	GT1-0833-A	Extended Platform Edge Toe Board, Offset and Toe Board	1
11	GT1-1512-24	Guard Stepper Outside Catwalk - 24'	2
12	GT1-0921-A	Toe Board End Cap R.H. and L.H.	1
13	GT1-0922-A	Handrail UPRT at Ladder Cage Extension Stepper Plat	1
14	GT1-1541	Angle, Swing Gate Stop	1
15	GT3-1135	Swing Gate, 21" (Opening Width - 23-1/2")	1
N/S	PL-8286	Package of 25 ea. S-275 and S-396 Package	1
N/S	GT1-1545	Bracket, Support for Vertical Upright	1

2. Parts List

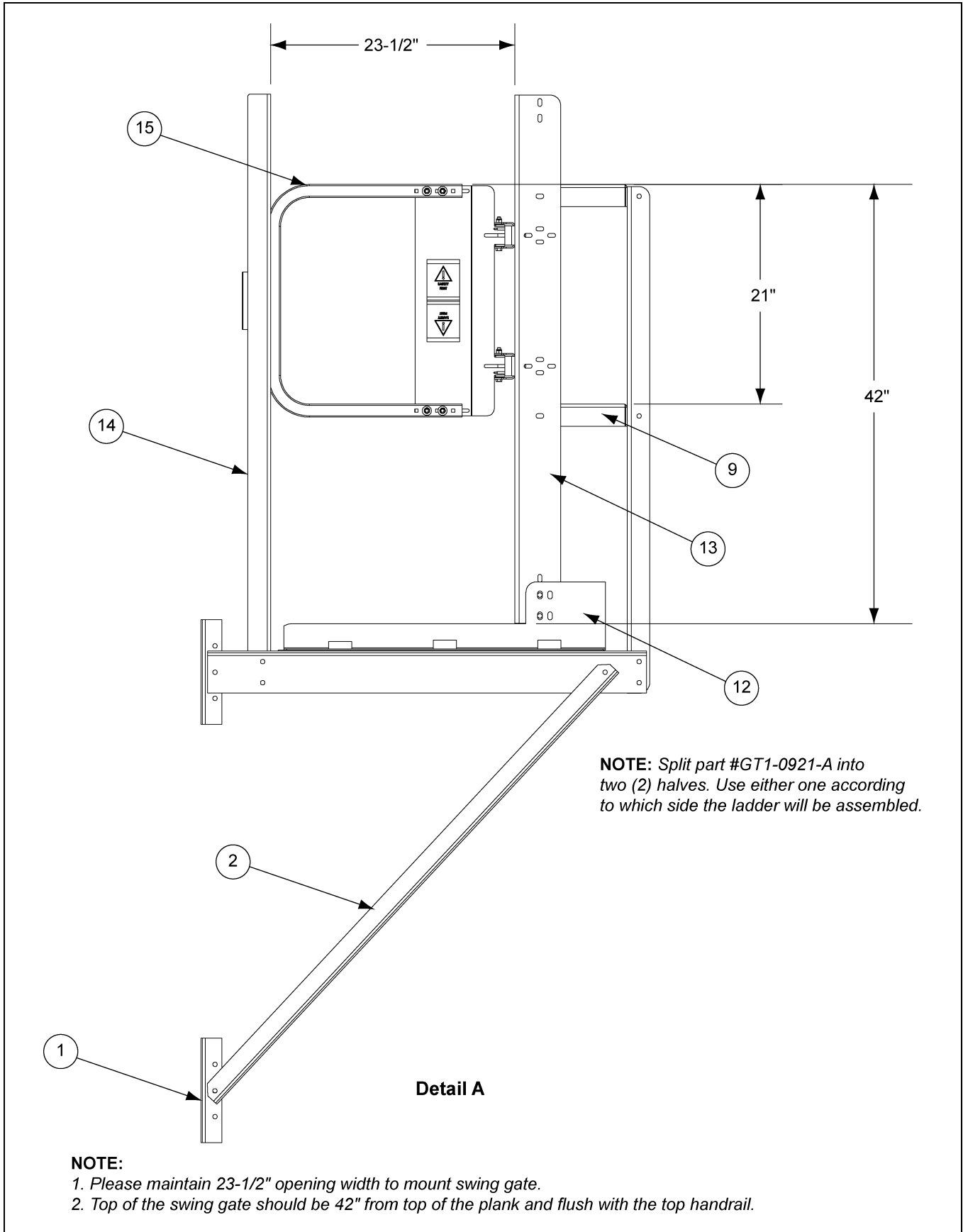
30' Roof Hatch Platform (GT4-1051-30A)



30' Roof Hatch Platform (GT4-1051-30A) (Continued)



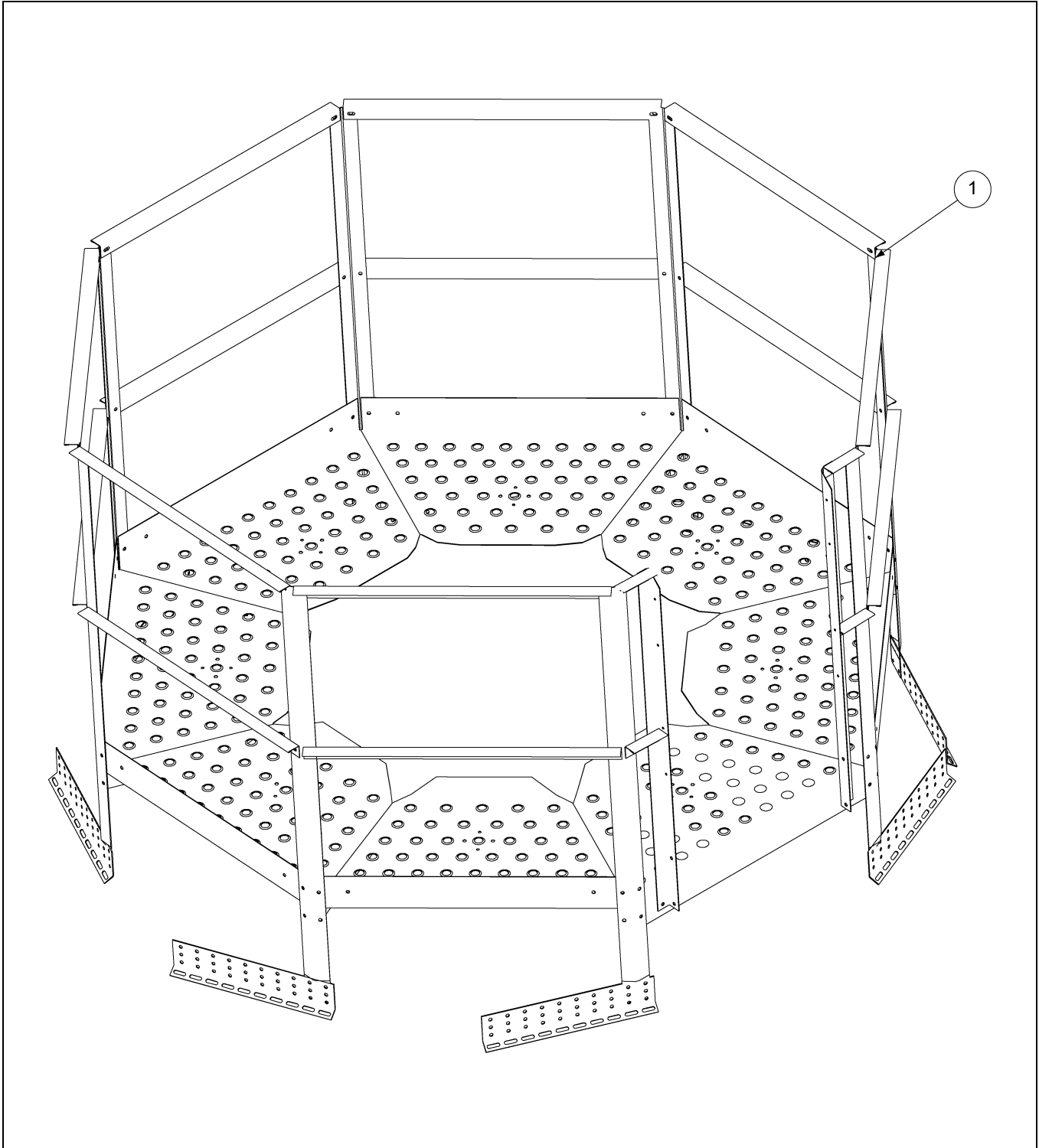
30' Roof Hatch Platform (GT4-1051-30A) (Continued)



30' Roof Hatch Platform (GT4-1051-30A) Parts List

Ref #	Part #	Description	Qty
1	GT1-0162	Catwalk Support Clip	6
2	GT4-1303	Catwalk Floor Support	3
3	GT4-1302-30A	Outside Catwalk Inner Plank Assembly - 30'	2
4	GT4-1301-30A	Outside Catwalk Outer Plank Assembly - 30'	2
5	GT1-0728-A	Outside Catwalk Plank - 30' - 65.3" Standardized	2
6	GT1-0005-A	Catwalk Vertical Support	5
7	GT1-0732	Outside Catwalk Handrail - 30'	4
8	GT1-0919	Handrail, Catwalk OS Catwalk End	2
9	GT1-0920-B	Handrail, Roof Hatch Platform	2
10	GT1-0833-A	Extended Platform Edge Toe Board, Offset and Toe Board	1
11	GT1-1512-30	Guard Stepper Outside Catwalk - 30'	2
12	GT1-0921-A	Toe Board End Cap R.H. and L.H.	1
13	GT1-0922-A	Handrail UPRT at Ladder Cage Extension Stepper Plat	1
14	GT1-1541	Angle, Swing Gate Stop	1
15	GT3-1135	Swing Gate, 21" (Opening Width - 23-1/2")	1
N/S	PL-8286	Package of 25 ea. S-275 and S-396 Package	1
N/S	GT1-1545	Bracket, Support for Vertical Upright	1

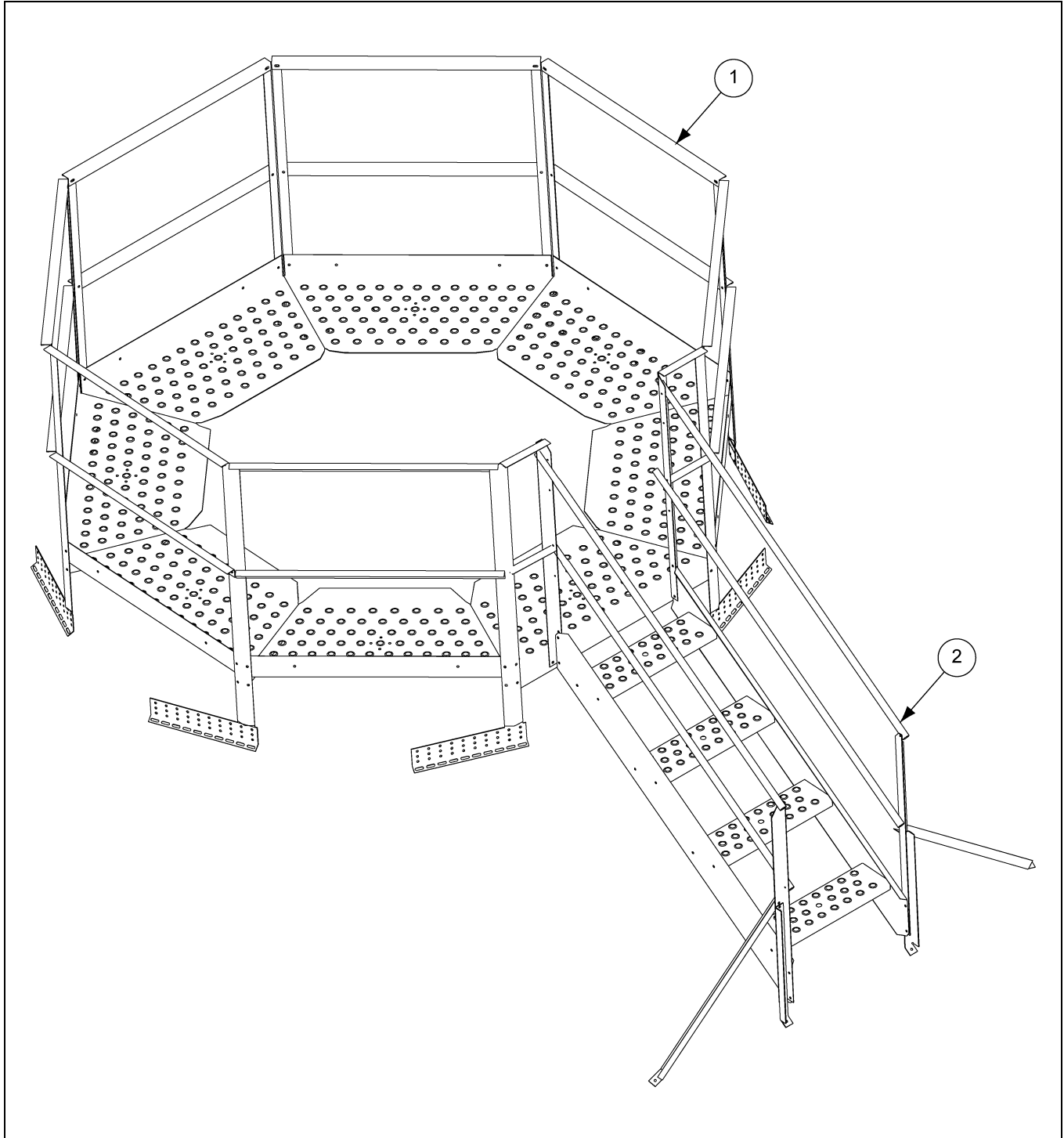
12' Diameter Dryer Peak Walk Around Package (GT4-1212PW)



12' Diameter Dryer Peak Walk Around Package (GT4-1212PW) Parts List

Ref #	Part #	Description	Qty
1	STR1016	Peak Walk Around 7' (8 Section)	1

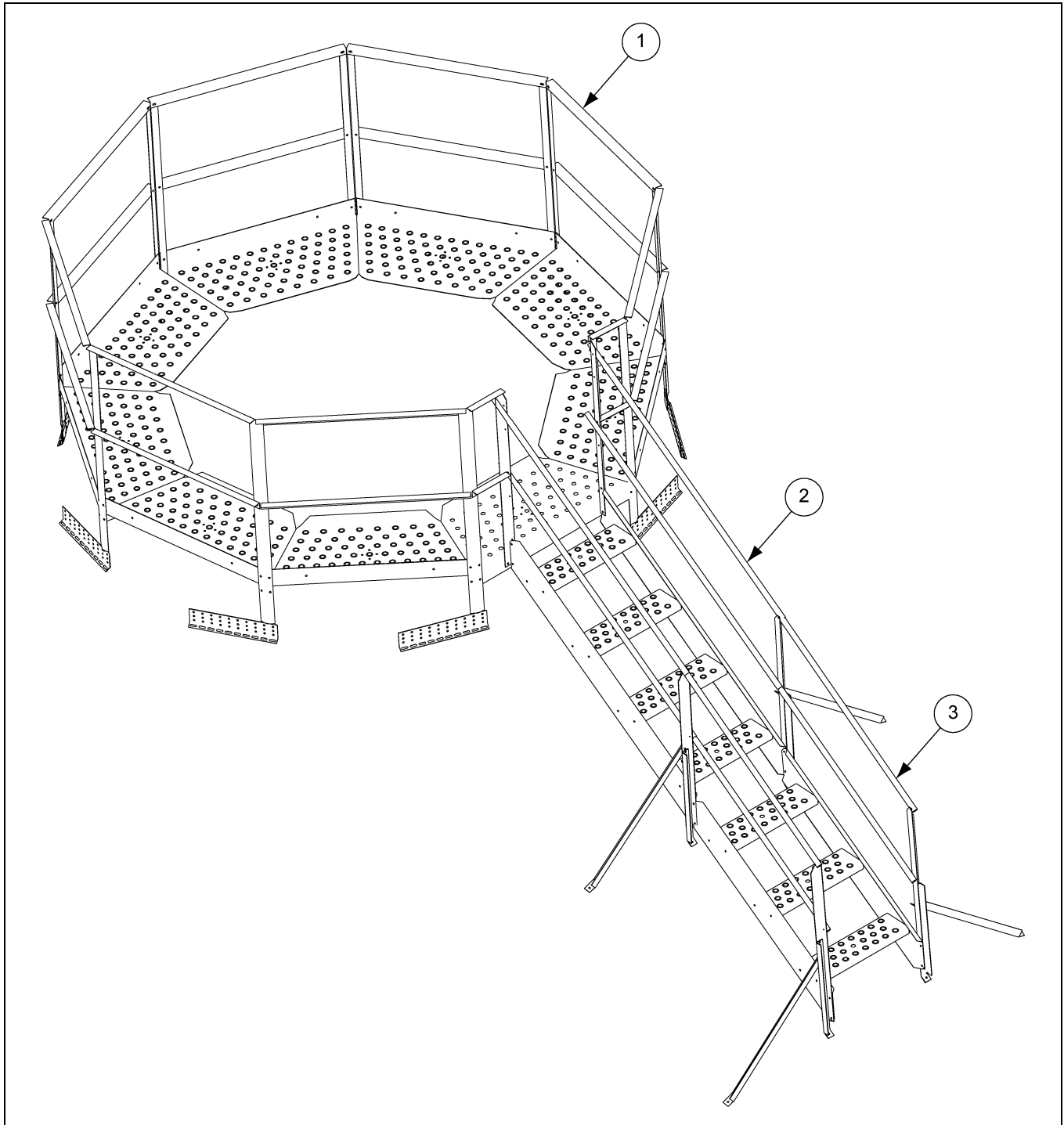
18' Diameter Dryer Peak Walk Around Package (GT4-1218PW)



18' Diameter Dryer Peak Walk Around Package (GT4-1218PW) Parts List

Ref #	Part #	Description	Qty
1	STR1017	9' Peak Walk Around Assembly	1
2	STR1039	5' 4" 30° Roof Stair (4 Step)	1

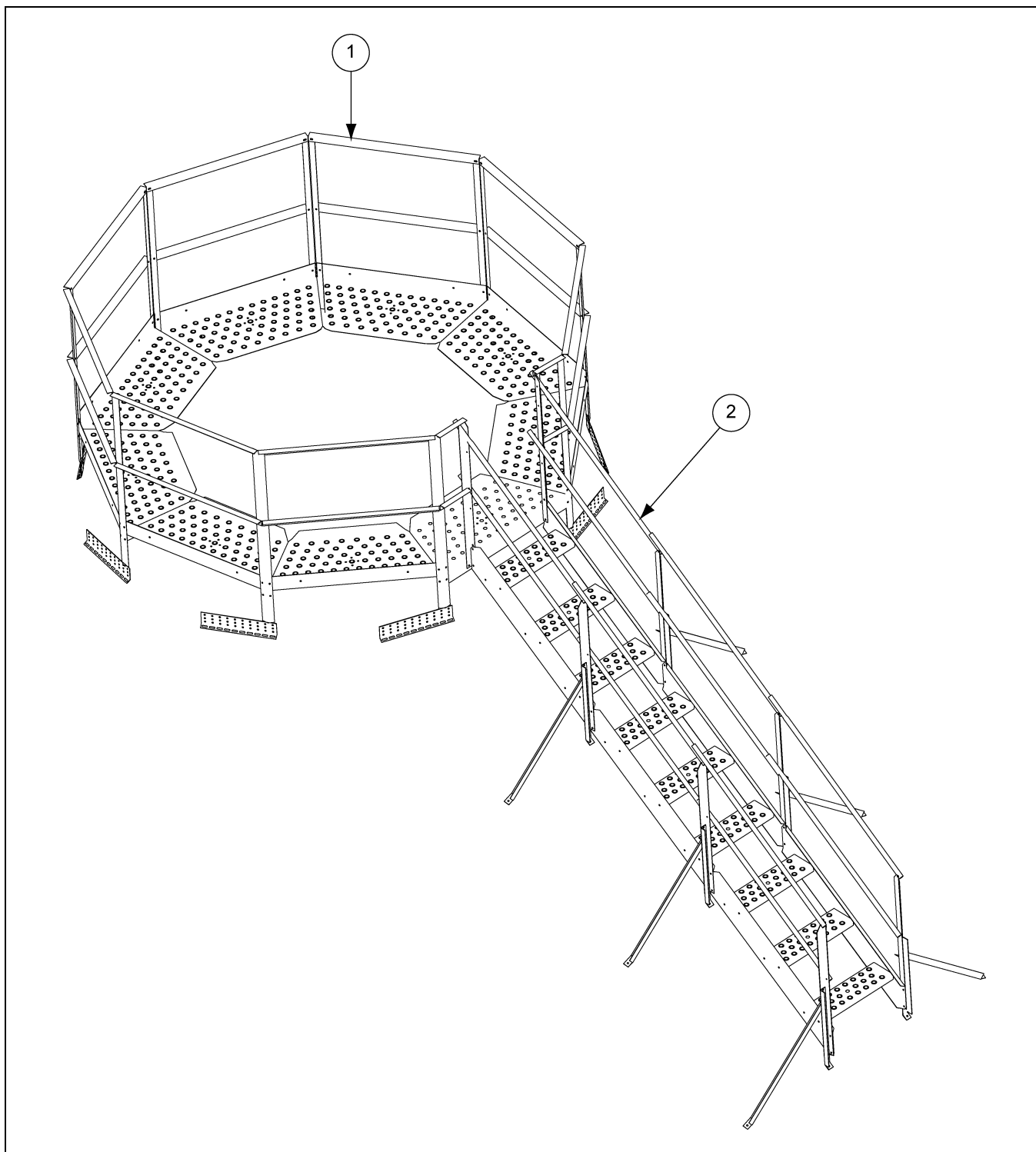
24' Diameter Dryer Peak Walk Around Package (GT4-1224PW)



24' Diameter Dryer Peak Walk Around Package (GT4-1224PW) Parts List

Ref #	Part #	Description	Qty
1	STR1018	10' Peak Walk Around Assembly	1
2	STR1039	5' 4" 30° Roof Stair (4 Step)	1
3	STR1038	4' 0" 30° Roof Stair (3 Step)	1

30' Diameter Dryer Peak Walk Around Package (GT4-1230PW)



30' Diameter Dryer Peak Walk Around Package (GT4-1230PW) Parts List

Ref #	Part #	Description	Qty
1	STR1018	10' Peak Walk Around Assembly	1
2	STR1038	4' 0" 30° Roof Stair (3 Step)	3

NOTES

GSI Group, LLC Limited Warranty

The GSI Group, LLC ("GSI") warrants products which it manufactures to be free of defects in materials and workmanship under normal usage and conditions for a period of 12 months after sale to the original end-user or if a foreign sale, 14 months from arrival at port of discharge, whichever is earlier. The end-user's sole remedy (and GSI's only obligation) is to repair or replace, at GSI's option and expense, products that in GSI's judgment, contain a material defect in materials or workmanship. Expenses incurred by or on behalf of the end-user without prior written authorization from the GSI Warranty Group shall be the sole responsibility of the end-user.

Warranty Extensions:

The Limited Warranty period is extended for the following products:

	Product	Warranty Period	
AP Fans and Flooring	Performer Series Direct Drive Fan Motor	3 Years	* Warranty prorated from list price: 0 to 3 years - no cost to end-user 3 to 5 years - end-user pays 25% 5 to 7 years - end-user pays 50% 7 to 10 years - end-user pays 75%
	All Fiberglass Housings	Lifetime	
	All Fiberglass Propellers	Lifetime	
Cumberland Feeding/Watering Systems	Feeder System Pan Assemblies	5 Years **	** Warranty prorated from list price: 0 to 3 years - no cost to end-user 3 to 5 years - end-user pays 50%
	Feed Tubes (1-3/4" and 2.00")	10 Years *	
	Centerless Augers	10 Years *	
	Watering Nipples	10 Years *	
Grain Systems	Grain Bin Structural Design	5 Years	† Motors, burner components and moving parts not included. Portable dryer screens included. Tower dryer screens not included.
Grain Systems Farm Fans Zimmerman	Portable and Tower Dryers	2 Years	
	Portable and Tower Dryer Frames and Internal Infrastructure †	5 Years	

GSI further warrants that the portable and tower dryer frame and basket, excluding all auger and auger drive components, shall be free from defects in materials for a period of time beginning on the twelfth (12th) month from the date of purchase and continuing until the sixtieth (60th) month from the date of purchase (extended warranty period). During the extended warranty period, GSI will replace the frame or basket components that prove to be defective under normal conditions of use without charge, excluding the labor, transportation, and/or shipping costs incurred in the performance of this extended warranty.

Conditions and Limitations:

THERE ARE NO WARRANTIES THAT EXTEND BEYOND THE LIMITED WARRANTY DESCRIPTION SET FORTH ABOVE. SPECIFICALLY, GSI MAKES NO FURTHER WARRANTY OF ANY KIND, EXPRESS OR IMPLIED, INCLUDING, WITHOUT LIMITATION, WARRANTIES OF MERCHANTABILITY OR FITNESS FOR A PARTICULAR PURPOSE OR USE IN CONNECTION WITH: (I) PRODUCT MANUFACTURED OR SOLD BY GSI OR (II) ANY ADVICE, INSTRUCTION, RECOMMENDATION OR SUGGESTION PROVIDED BY AN AGENT, REPRESENTATIVE OR EMPLOYEE OF GSI REGARDING OR RELATED TO THE CONFIGURATION, INSTALLATION, LAYOUT, SUITABILITY FOR A PARTICULAR PURPOSE, OR DESIGN OF SUCH PRODUCTS.

GSI shall not be liable for any direct, indirect, incidental or consequential damages, including, without limitation, loss of anticipated profits or benefits. The sole and exclusive remedy is set forth in the Limited Warranty, which shall not exceed the amount paid for the product purchased. This warranty is not transferable and applies only to the original end-user. GSI shall have no obligation or responsibility for any representations or warranties made by or on behalf of any dealer, agent or distributor.

GSI assumes no responsibility for claims resulting from construction defects or unauthorized modifications to products which it manufactured. Modifications to products not specifically delineated in the manual accompanying the equipment at initial sale will void the Limited Warranty.

This Limited Warranty shall not extend to products or parts which have been damaged by negligent use, misuse, alteration, accident or which have been improperly/inadequately maintained. This Limited Warranty extends solely to products manufactured by GSI.

Prior to installation, the end-user has the responsibility to comply with federal, state and local codes which apply to the location and installation of products manufactured or sold by GSI.

This equipment shall be installed in accordance with the current installation codes and applicable regulations which should be carefully followed in all cases. Authorities having jurisdiction should be consulted before installations are made.

G S I G R O U P



GSI Group
1004 E. Illinois St.
Assumption, IL 62510-0020
Phone: 1-217-226-4421
Fax: 1-217-226-4420
www.gsiag.com