



18' Tower Dryer Fan Style Catwalk Assembly

Installation Manual

PNEG-1874

Version: 1.3

Date: 09-26-16



PNEG-1874

All information, illustrations, photos and specifications in this manual are based on the latest information available at the time of publication. The right is reserved to make changes at any time without notice.

Contents

Chapter 1 Introduction	4
Chapter 2 Safety	5
Safety Guidelines	5
Cautionary Symbols Definitions	6
Safety Cautions	7
Safety Sign-Off Sheet	11
Chapter 3 Decals	12
Chapter 4 18' Outside Catwalk Installation Instructions	14
Installing Z-Clips (GT1-2036)	14
Installing Swing Gate Stop (GT1-2045)	15
Installing Catwalk Support Clip (GT1-2040-BS)	16
Installing Inner Toe Board (GT1-2035) and Ladder Opening Toe Board (GT4-1465)	17
Installing Plank (GT1-2033) to Inner Toe Board (GT1-2035)	19
Installing Plank Support (GT1-2086)	22
Installing Knee Support (GT1-2039-BS)	23
Installing Outer Toe Board (GT1-2034) and Catwalk Vertical Support (GT1-2037-BS)	24
Installing Handrails (GT1-2038-18O)	26
Installing Safety Gate (GT4-1455)	28
Installing Ladder Bracket (GT1-2447-L and GT1-2447-R)	30
Installing Planks at Jack Pole Locations	31
Outside Catwalk Walk Surface	33
Chapter 5 18' Inside Catwalk Installation Instructions	36
Installing Z-Clips (GT1-2036)	36
Installing Catwalk Support Clip (GT1-2040-BS)	37
Installing Outer Toe Board (GT1-2062)	38
Installing Planks (GT1-2033) to Outer Toe Board (GT1-2062)	39
Installing Knee Support (GT1-2039-BS)	41
Installing Inner Toe Board (GT1-2061) and Catwalk Vertical Support (GT1-2037-BS)	42
Installing Handrail (GT1-2038-18I)	43
Inside Catwalk Walk Surface	44
Chapter 6 18' Offset and Roof Hatch Platform Installation Instructions	46
Installing Z-Clips (GT1-2036)	46
Installing Swing Gate Stop (GT1-2045)	48
Installing Catwalk Support Clip (GT1-2040-BS)	49
Installing Inner Toe Board (GT1-2035)	51
Installing Plank (GT1-2033) to Inner Toe Board (GT1-2035)	53
Installing Plank Support (GT1-2086)	56
Installing Knee Support (GT1-2039-BS)	57
Installing Outer Toe Board (GT1-2034) and Catwalk Vertical Support (GT1-2037-BS)	58
Installing Long Handrails (GT1-2038-18O)	59
Installing Safety Gate (GT4-1455) with Plank Support (GT1-2086)	62
Chapter 7 Parts List	65
18' Outside Fan Style Catwalk (GT4-1039-18F)	66
18' Inside Fan Style Catwalk (GT4-1043-18F)	70
18' Offset Fan Style Platform (GT4-1047-18F)	74
18' Roof Hatch Fan Style Platform (GT4-1051-18F)	78
Chapter 8 Warranty	83

1. Introduction

READ THIS MANUAL carefully to learn how to properly use and install equipment. Failure to do so could result in personal injury or equipment damage.

INSPECT the shipment immediately upon arrival. The customer is responsible for ensuring that all quantities are correct. The customer should report and note any damage or shortage on the bill of lading to justify their claim to the transport company.

THIS MANUAL SHOULD BE CONSIDERED a permanent part of your equipment and should be easily accessible when needed.

This warranty provides you the assurance that the company will back its products when defects appear within the warranty period. In some circumstances, the company also provides field improvements, often without charge to the customer, even if the product is out of warranty. Should the equipment be abused, or modified to change its performance beyond the factory specifications, the warranty will become void and field improvements may be denied.

Safety Guidelines

Safety guidelines are general-to-specific safety rules that must be followed at all times. This manual is written to help you understand safe operating procedures and problems that can be encountered by the operator and other personnel when using this equipment. Save these safety guidelines for future reference.

As owner or operator, you are responsible for understanding the requirements, hazards, and precautions that exist and to inform others as required. Unqualified persons must stay out of the work area at all times.

Alterations must not be made to the equipment. Alterations can produce dangerous situations resulting in **SERIOUS INJURY** or **DEATH**.

This equipment must be installed in accordance with the current installation codes and applicable regulations, which must be carefully followed in all cases. Authorities having jurisdiction must be consulted before installations are made.

When necessary, you must consider the installation location relative to electrical, fuel and water utilities.

Personnel operating or working around equipment must read this manual. This manual must be delivered with equipment to its owner. Failure to read this manual and its safety instructions is a misuse of the equipment.

ST-0001-3

Cautionary Symbols Definitions

Cautionary symbols appear in this manual and on product decals. The symbols alert the user of potential safety hazards, prohibited activities and mandatory actions. To help you recognize this information, we use the symbols that are defined below.



This symbol indicates an imminently hazardous situation which, if not avoided, **will result in serious injury or death.**



This symbol indicates a potentially hazardous situation which, if not avoided, **can result in serious injury or death.**



This symbol indicates a potentially hazardous situation which, if not avoided, **can result in minor or moderate injury.**



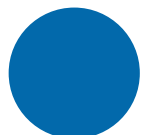
This symbol is used to address practices not related to personal injury.



This symbol indicates a general hazard.



This symbol indicates a prohibited activity.



This symbol indicates a mandatory action.

ST-0005-2

Safety Cautions

Use Personal Protective Equipment

- Use appropriate personal protective equipment:

Eye Protection



Respiratory Protection



Foot Protection



Hearing Protection



Head Protection



Fall Protection



Hand Protection



- Wear clothing appropriate to the job.
- Remove all jewelry.
- Tie long hair up and back.

ST-0004-1

Follow Safety Instructions

- Carefully read all safety messages in this manual and safety signs on your machine. Keep signs in good condition. Replace missing or damaged safety signs. Be sure new equipment components and repair parts include the current safety signs. Replacement safety signs are available from the manufacturer.
- Learn how to operate the machine and how to use controls properly. Do not let anyone operate without instruction.
- If you do not understand any part of this manual or need assistance, contact your dealer.



ST-0002-1

2. Safety

Maintain Equipment and Work Area

- Understand service procedures before doing work. Keep area clean and dry.
- Never service equipment while it is operating. Keep hands, feet, and clothing away from moving parts
- Keep your equipment in proper working condition. Replace worn or broken parts immediately.



ST-0003-1

Stay Clear of Hoisted Equipment

- Always use proper lifting or hoisting equipment when assembling or disassembling equipment.
- Do not walk or stand under hoisted equipment.
- Always use sturdy and stable supports when needed for installation. Not following these safety precautions creates the risk of falling equipment, which can crush personnel and cause serious injury or death.



ST-0047-1

Install and Operate Electrical Equipment Properly

- Electrical controls must be installed by a qualified electrician and must meet the standards set by applicable local codes (National Electrical Code for the US, Canadian Electric Code, or EN60204 along with applicable European Directives for Europe).
- Lock-out power source before making adjustments, cleaning, or maintaining equipment.
- Make sure all equipment and bins are properly grounded.



ST-0027-3

Sharp Edge Hazard

- This product has sharp edges, which can cause serious injury.
- To avoid injury, handle sharp edges with caution and always use proper protective clothing and equipment



ST-0036-2

Fall Hazard

- Keep access door closed while on a platform to avoid falls.
- Always use proper personal protective equipment and proper clothing when using equipment. Failure to follow safety precautions can result in severe injury or death.



ST-0042-2

Fall Hazard

- Ladders, stairways and platforms are for use by competent and trained personnel only. Do not allow children or other unauthorized persons to have access to the equipment.
- Access to the equipment must be restricted by the use of security fencing and lockable gates.
- Lower sections of ladders must be fitted with a lockable safety gate to prevent unauthorized access.
- Make sure that hot surfaces have had adequate time to cool before working on or in the equipment.
- Lock out and tag out power supplies and fuel supplies to all equipment.
- Do not attach lifting equipment to ladders or platforms.
- Do not go outside of the safety rails provided on elevated platforms.
- Do not work at heights during high winds, rain, snow, or ice storms.



ST-0056-1

Platform Load Limit

- The platform load limit is 500 LBS (2.25 kN). Do not exceed this weight.
- Excessive load will damage the platform and cause platform to fall. Severe injury or death will result.



ST-0044-2

Confined Space Hazards and Entry Procedures

- Note that the interior of this equipment is considered a confined space. Maintenance of this equipment can require access to the confined space.
- Access doors must be shut and locked except when access is required.
- Doors giving access to dangerous equipment must be safety interlocked.
- The following entry procedures must be followed:
 - Be aware of all possible hazards present inside the confined space and wear personal protective equipment (PPE) as needed.
 - Complete a permit to work and follow all permit required confined space entry procedures defined by the site manager.
 - Make sure that the area has been purged of any hazardous products or gases. Check the atmosphere for harmful gases or vapors with a suitable gas analyzer and make sure levels are safe before entering.
 - Do not smoke or use naked flames.
 - Lock out and tag out power supplies and fuel supplies to all equipment.
 - Do not work alone. Work in teams of at least three so that help is immediately available in the event of an emergency.
 - Confirm that all personnel have safely exited the equipment and tools have been recovered once work is complete.



ST-0055-1

3. Decals

Safety decals should be read and understood by all people in and around the dryer area. If the following safety decals are not displayed on your dryer or if they are damaged, contact the GSI for replacement:

GSI Decals

1004 E. Illinois St.
Assumption, IL. 62510
Phone: 1-217-226-4421

 DANGER	
	<p>DO NOT EXCEED PLATFORM LOAD LIMIT</p> <p>Load limit = 1000 LBS. (4.50 kN)</p> <p>Excessive load will damage platform and cause platform to fall.</p> <p>Injury or death will result.</p> <p style="text-align: right;">DC-2188</p>
<p>DC-2188</p> <p>Background: White Colors: Black, Safety Red (PMS 485C), Safety Yellow (PMS 109C) Size: 3.0" x 7.0"</p>	



18' Outside Fan Style Catwalk Assembly Instructions (GT4-1039-18F)

4. 18' Outside Catwalk Installation Instructions

Installing Z-Clips (GT1-2036)

1. Bolt Z-clip (GT1-2036) to all vertical channels (GT1-0001). The Z-clip can be installed on each vertical channel as wall sheets are installed using 3/8"-16 x 1" JS grade 8 or grade 8.2 bolts (S-7485) and 3/8"-16 ZN grade 5 nuts (S-968). (See Figure 4A and Figure 4B.)

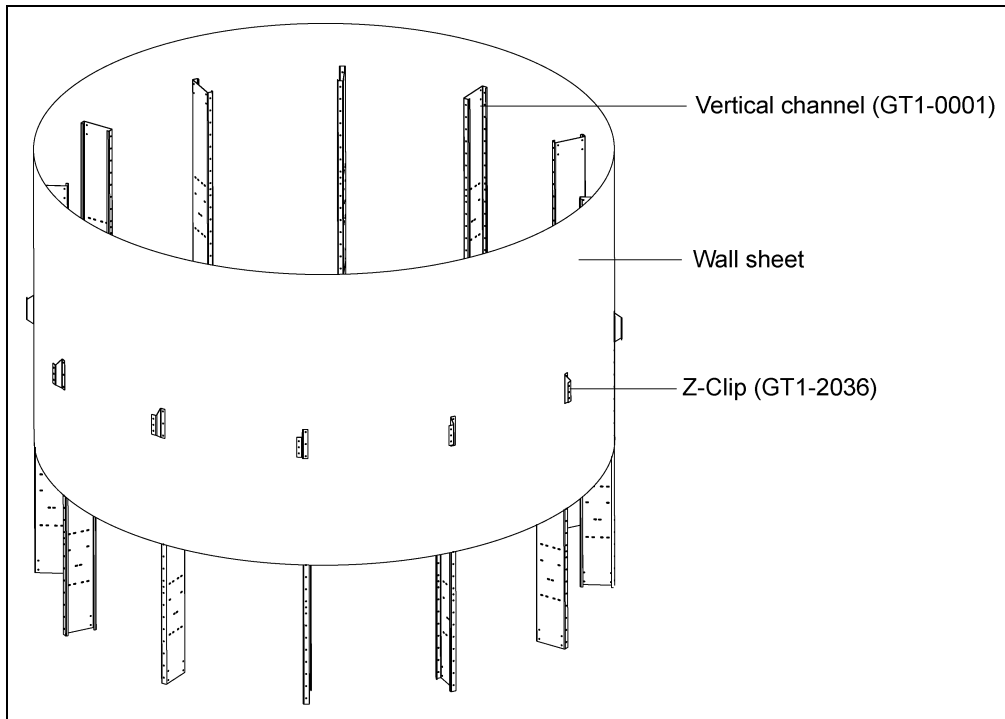


Figure 4A

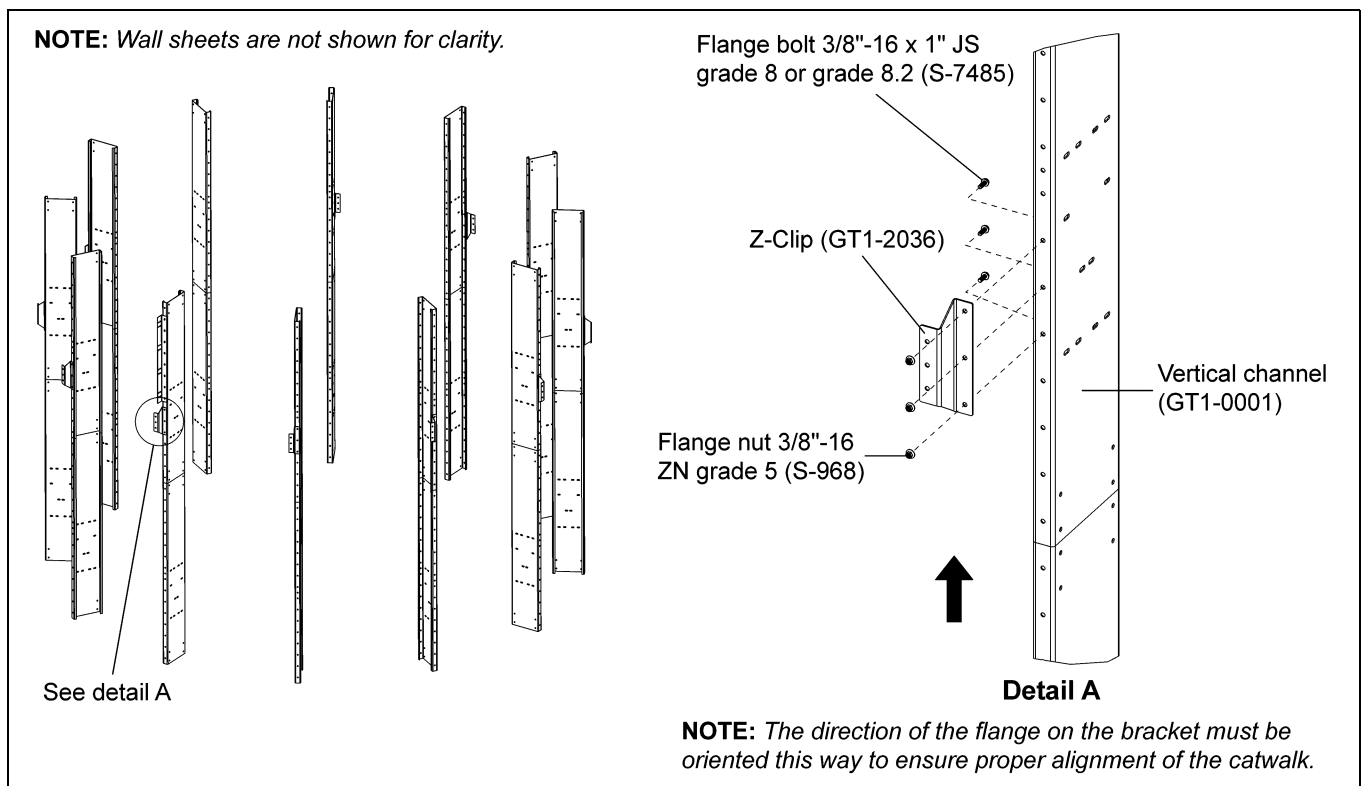


Figure 4B

Installing Swing Gate Stop (GT1-2045)

1. Identify the ladder opening vertical channel and install the swing gate stop (GT1-2045) to the vertical channel (GT1-0001) as wall sheets are installed using 3/8"-16 x 1" JS grade 8 or grade 8.2 bolts (S-7485) and 3/8"-16 ZN grade 5 nuts (S-968). (See Figure 4C and Figure 4D.)

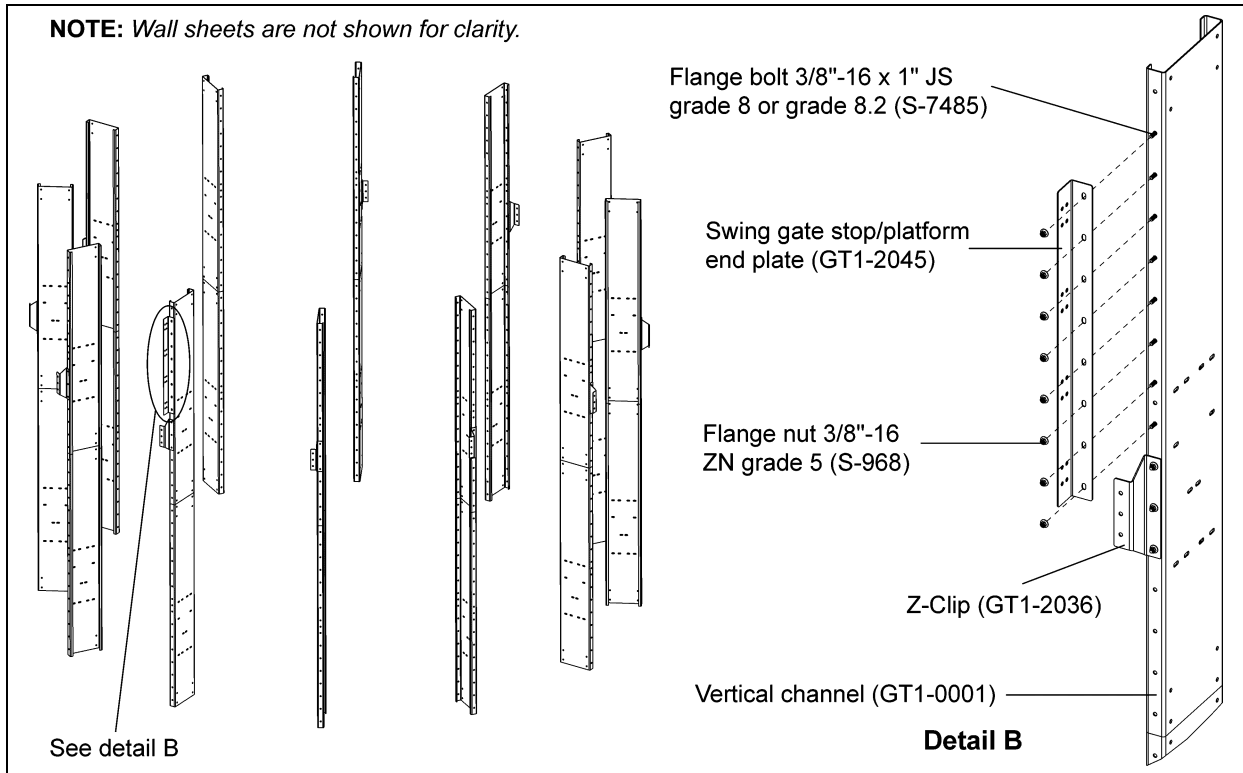


Figure 4C

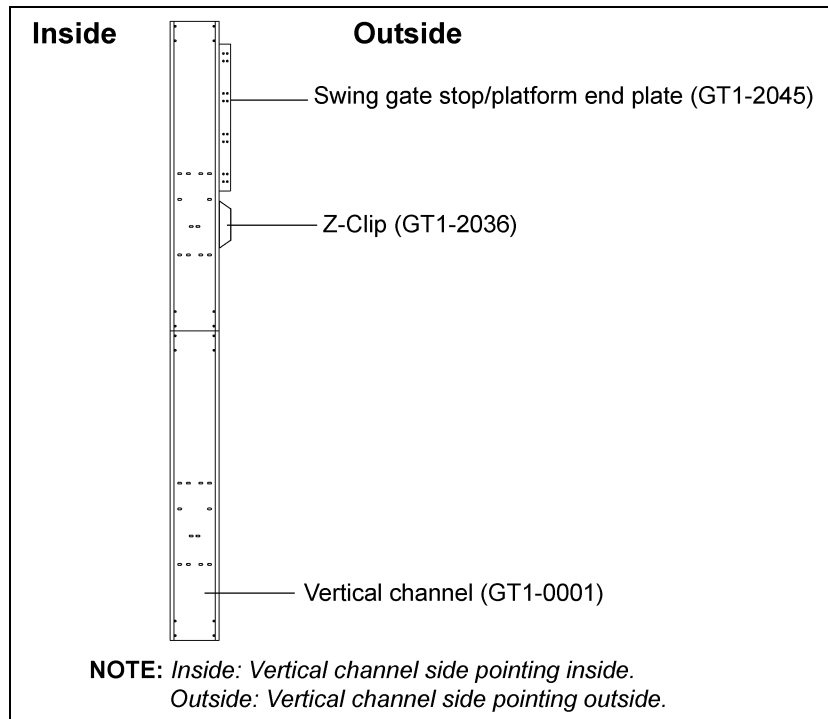


Figure 4D

4. 18' Outside Catwalk Installation Instructions

Installing Catwalk Support Clip (GT1-2040-BS)

1. Install catwalk support clips (GT1-2040-BS) to all vertical channels (GT1-0001). Support clip can be installed on each vertical channel as the wall sheets are installed using 3/8"-16 x 1" JS grade 8 or grade 8.2 bolts (S-7485) and 3/8"-16 ZN grade 5 nuts (S-968). (See Figure 4E.)
2. The distance between the Z-clip and support clip for 18' outside catwalk is 31-1/2". (See Figure 4F.)

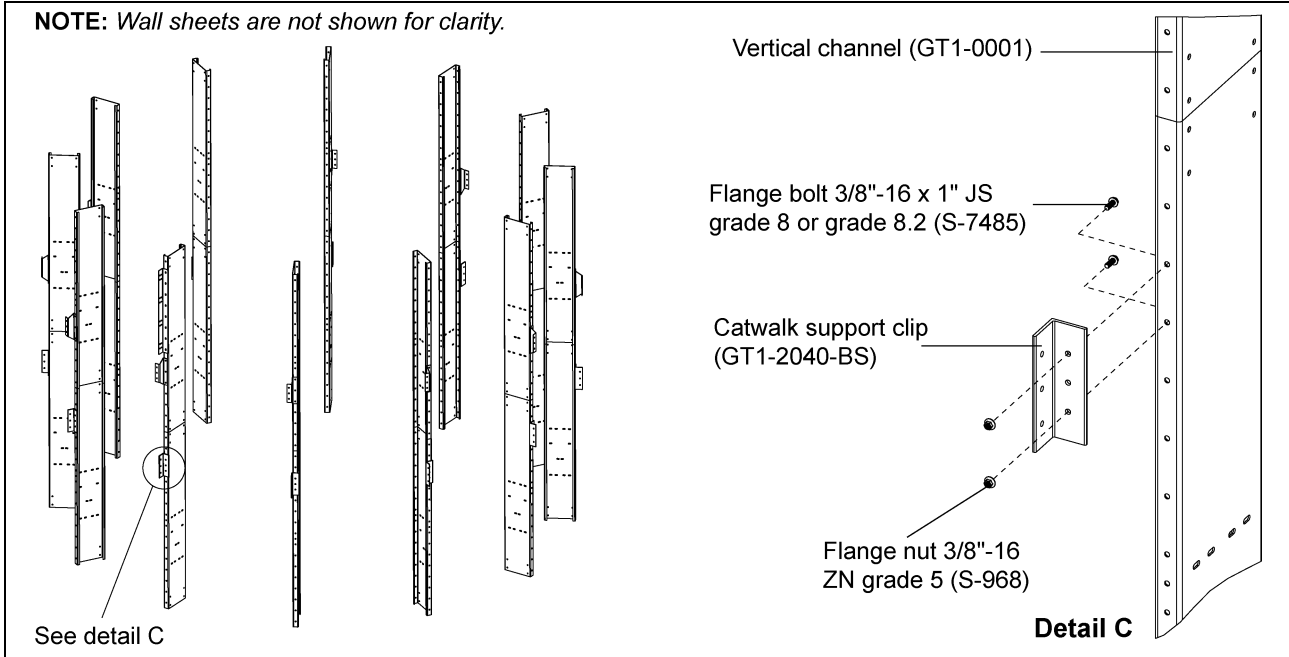


Figure 4E

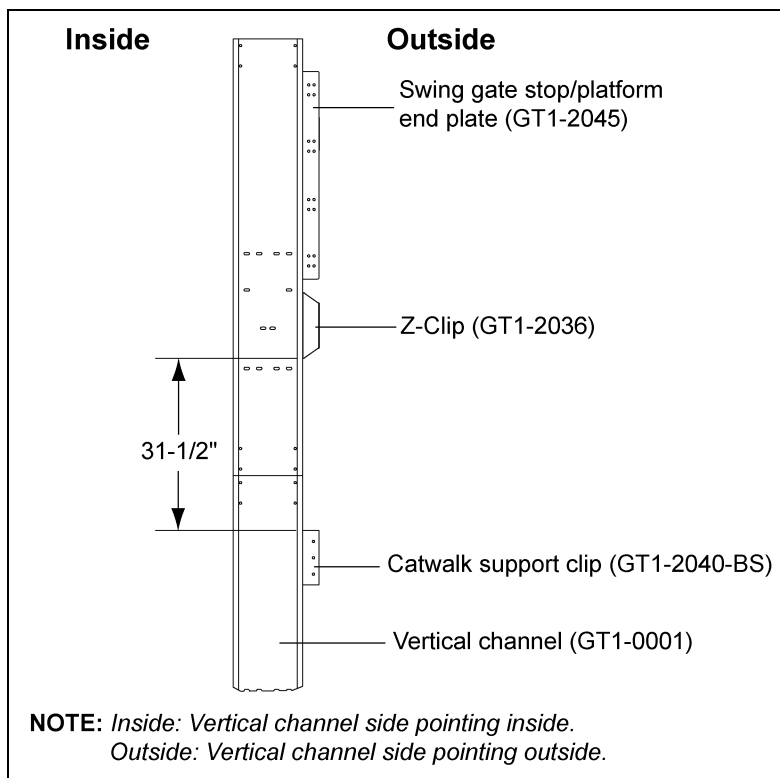


Figure 4F

Installing Inner Toe Board (GT1-2035) and Ladder Opening Toe Board (GT4-1465)

1. Install the inner toe board (GT1-2035) to the Z-clips (GT1-2036). All toe boards should be installed between the Z-clips using 3/8"-16 x 1" JS grade 8 or grade 8.2 bolts (S-7485) and 3/8"-16 ZN grade 5 nuts (S-968). (See Figure 4G.)
2. At the ladder location, install the ladder opening toe board (GT4-1465) to Z-clips using 3/8"-16 x 1" JS grade 8 or grade 8.2 bolts (S-7485) and 3/8"-16 ZN grade 5 nuts (S-968) in such a way that toe board opening falls on the ladder path. (See Figure 4G below and Figure 4H on Page 18.)

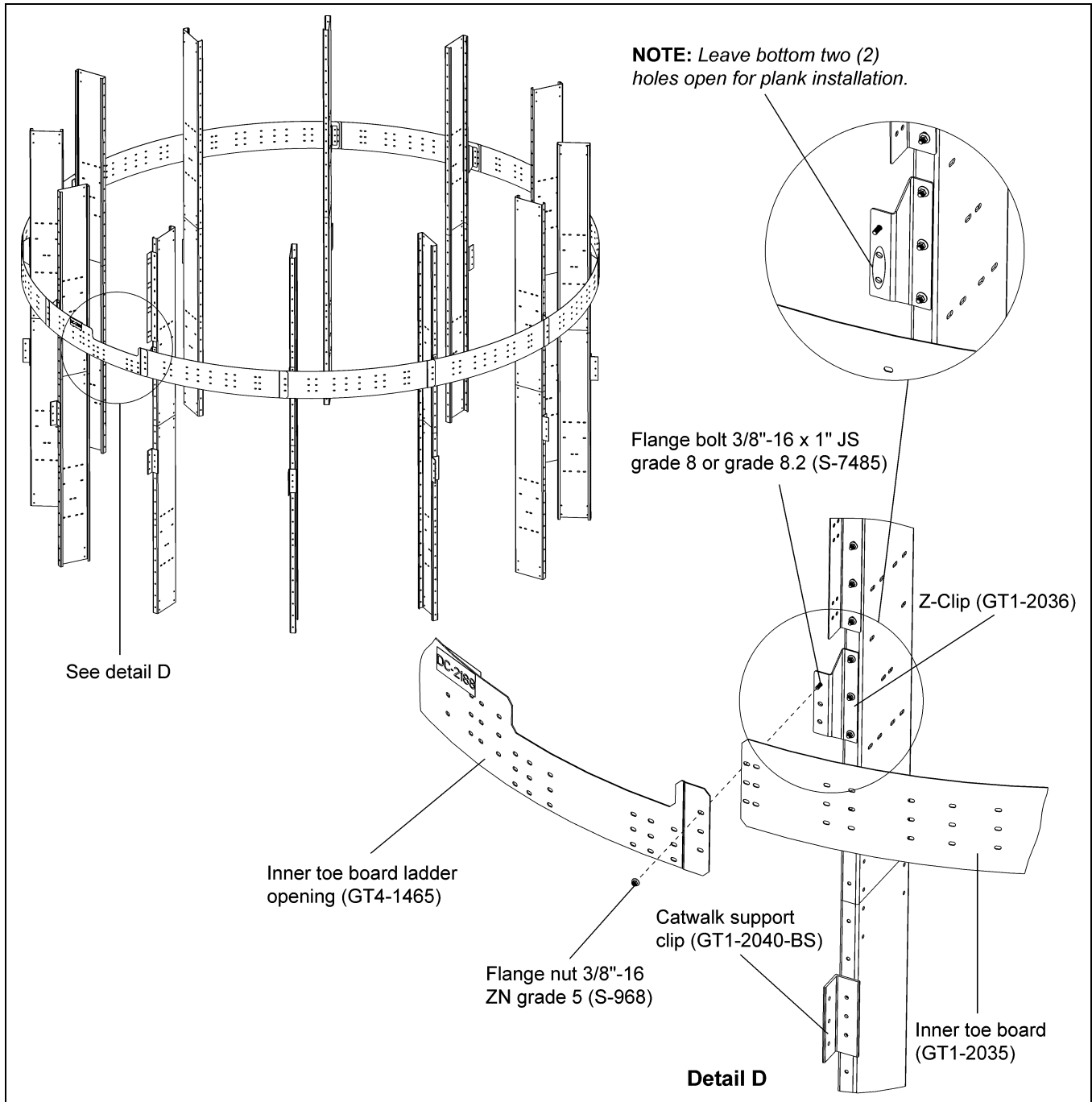


Figure 4G

4. 18' Outside Catwalk Installation Instructions

Installing Inner Toe Board (GT1-2035) and Ladder Opening Toe Board (GT4-1465) (Continued)

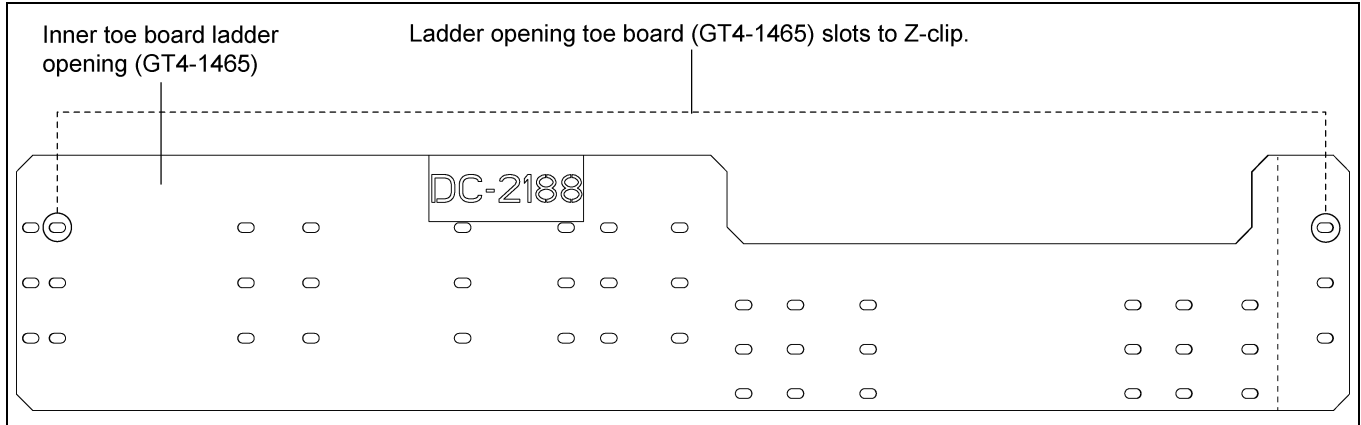


Figure 4H 18' Ladder Opening Toe Board (GT4-1465)

3. Inner toe board is arranged with overlap slots on each side. Install 18' inner toe boards (GT1-2035) to corresponding slots as shown in [Figure 4I](#).

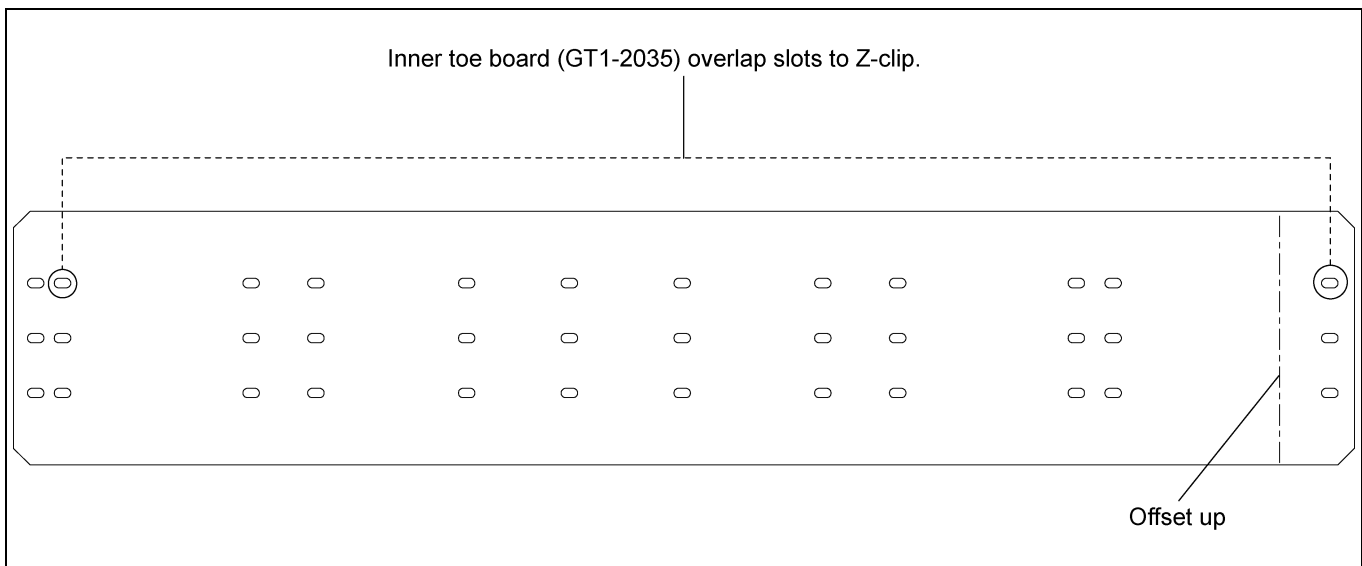


Figure 4I 18' Inner Toe Board (GT1-2035)

Installing Plank (GT1-2033) to Inner Toe Board (GT1-2035)

1. Install planks around the dryer on inner toe board starting from ladder opening toe board (GT4-1465) as shown by arrow in the *Figure 4J*.
2. Planks (GT1-2033) are installed to bottom two (2) holes of the inner toe board (GT1-2035) using 3/8"-16 x 1" JS grade 8 or grade 8.2 bolts (S-7485) and 3/8"-16 ZN grade 5 nuts (S-968).
(See *Figure 4J*.)

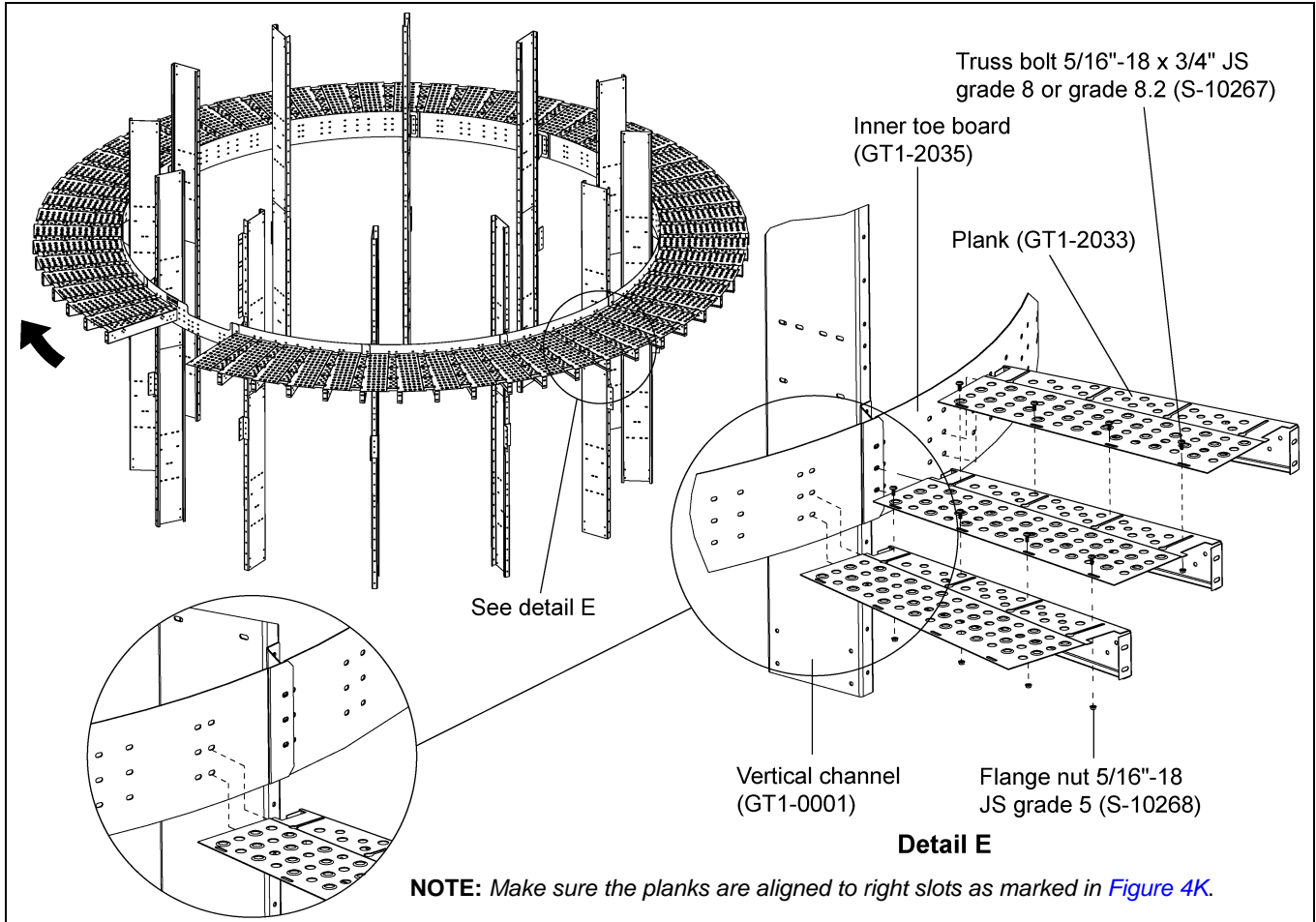


Figure 4J

3. Inner toe board (GT1-2035) is arranged with many slots to install plank. Install planks to corresponding slots as shown in *Figure 4K*.

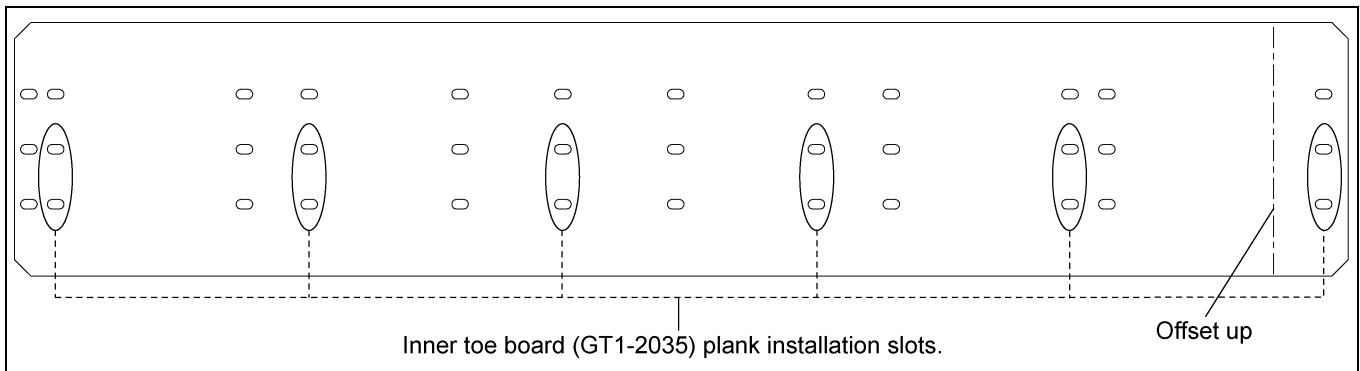


Figure 4K 18' Inner Toe Board (GT1-2035)

4. 18' Outside Catwalk Installation Instructions

Installing Planks (GT1-2033) to Inner Toe Board (GT1-2035) (Continued)

4. Install all the planks (GT1-2033) continuously around the dryer except at the jack pole locations.
(See *Figure 4L* and *Figure 4M*.)

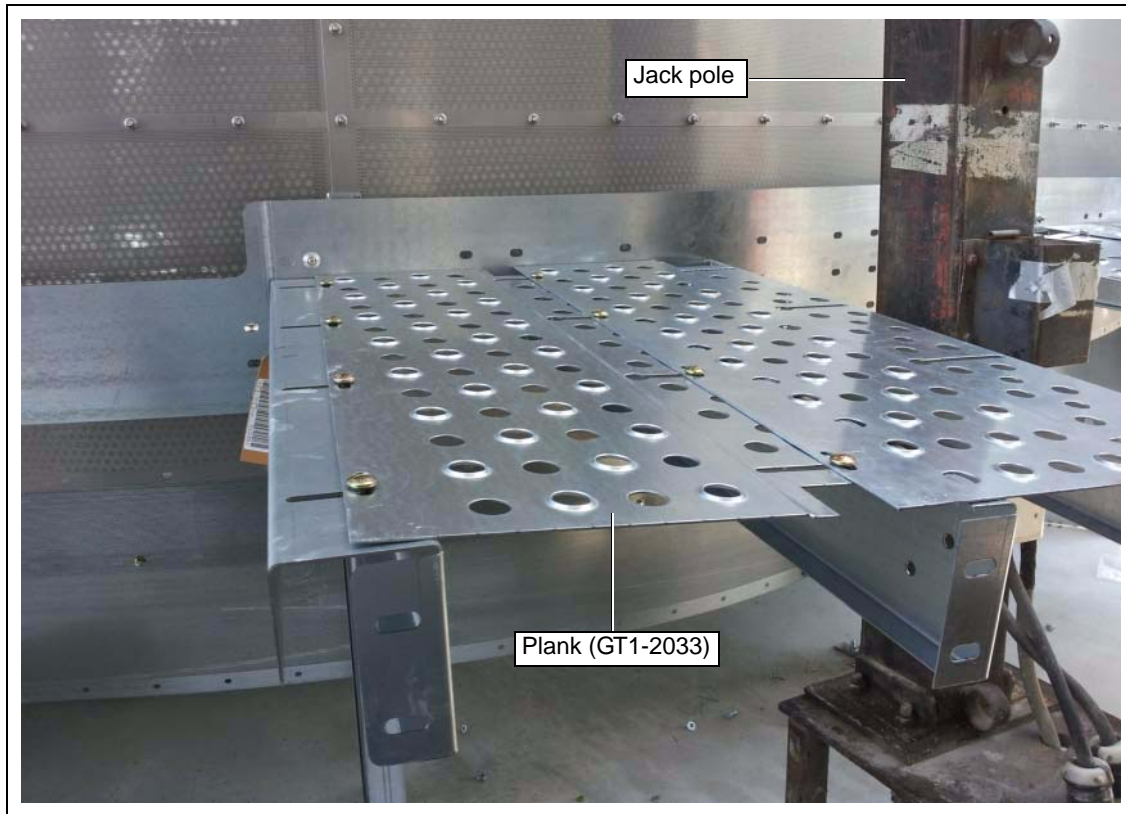


Figure 4L

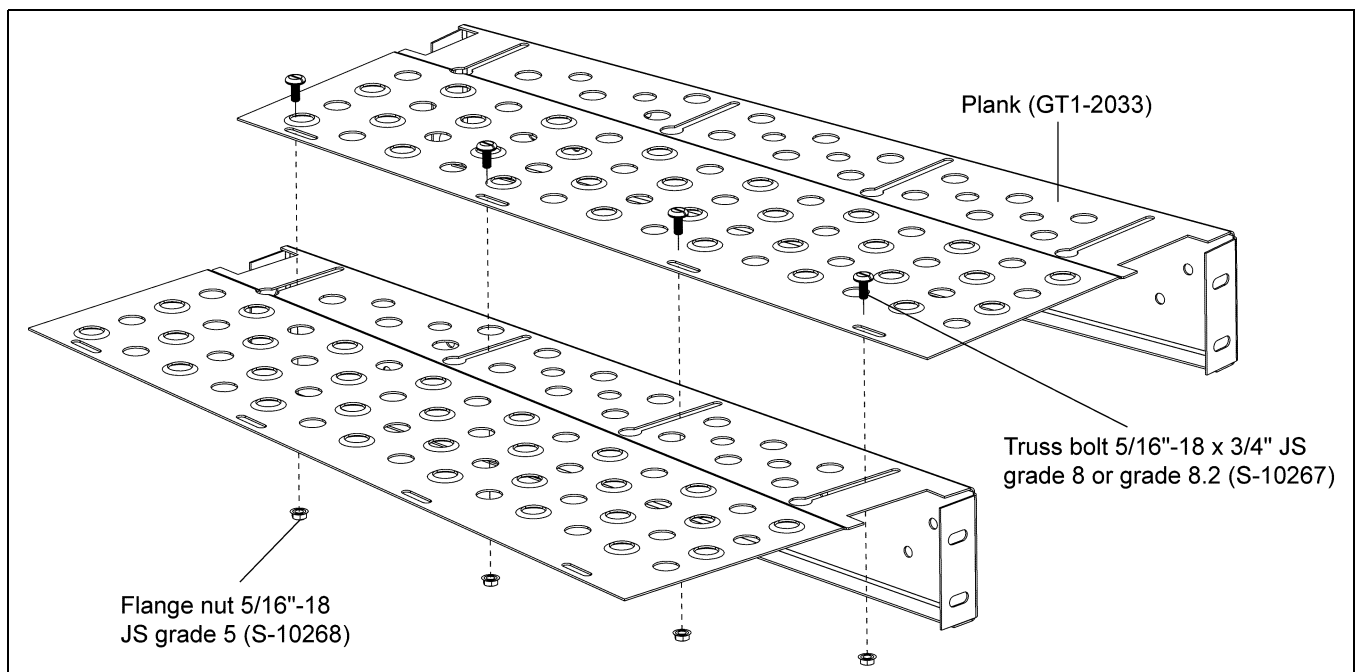


Figure 4M

Installing Planks (GT1-2033) to Inner Toe Board (GT1-2035) (Continued)

5. Each plank should be overlapped at the edges and bolted with 5/16"-18 x 3/4" JS grade 8 or grade 8.2 bolts (S-10267) and 5/16"-18 JS grade 5 nuts (S-10268). (See [Figure 4N.](#))

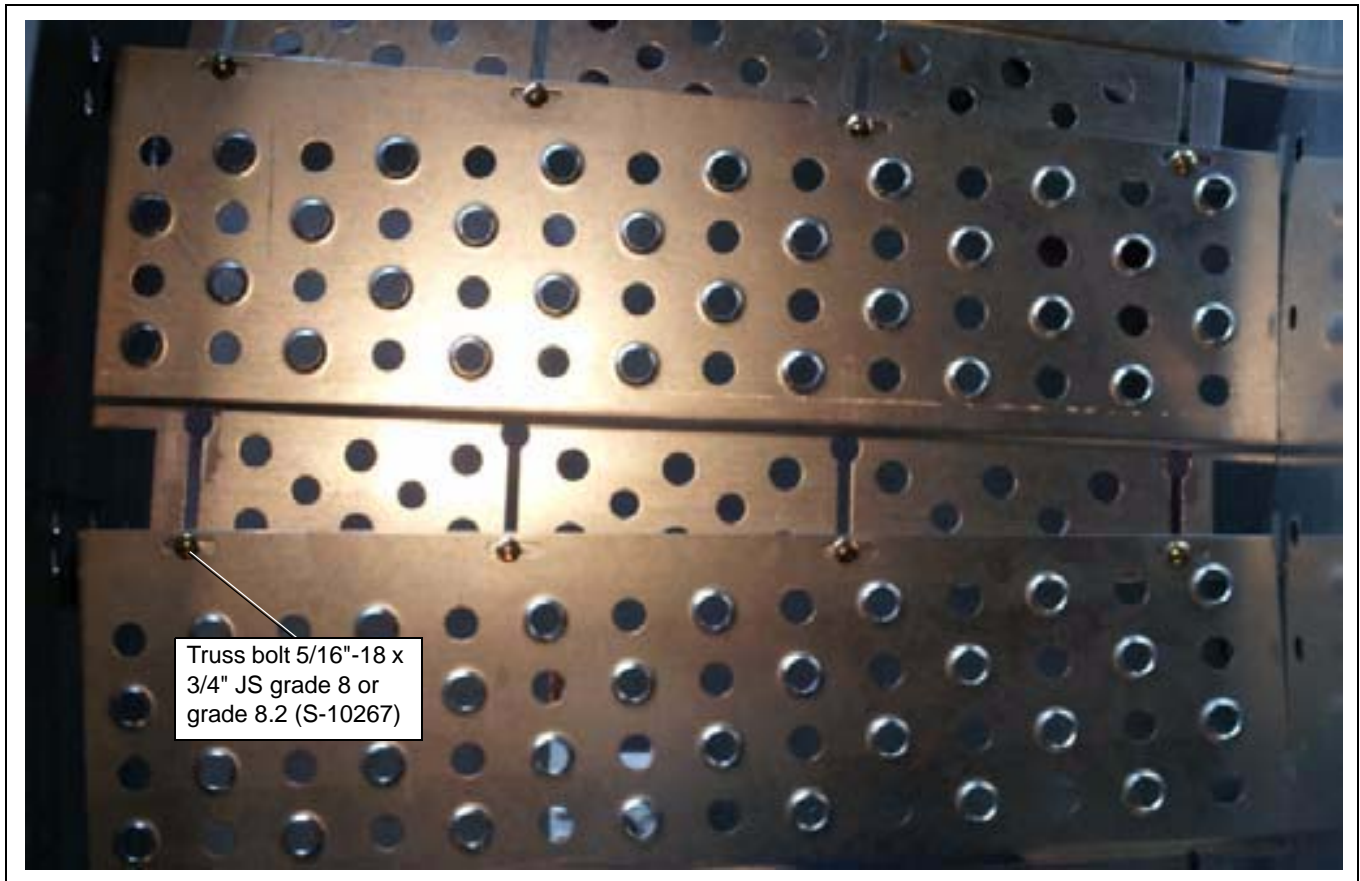


Figure 4N

4. 18' Outside Catwalk Installation Instructions

Installing Plank Support (GT1-2086)

1. Once the planks are installed, install the plank support (GT1-2086) to the last plank (GT1-2033) and toe board (GT4-1465) using 5/16"-18 x 3/4" JS grade 8 and grade 8.2 bolts (S-10267), 5/16"-18 JS grade 5 nuts (S-10268) and flange bolts 3/8"-16 x 1" JS grade 8 or grade 8.2 (S-7485).
(See Figure 40.)

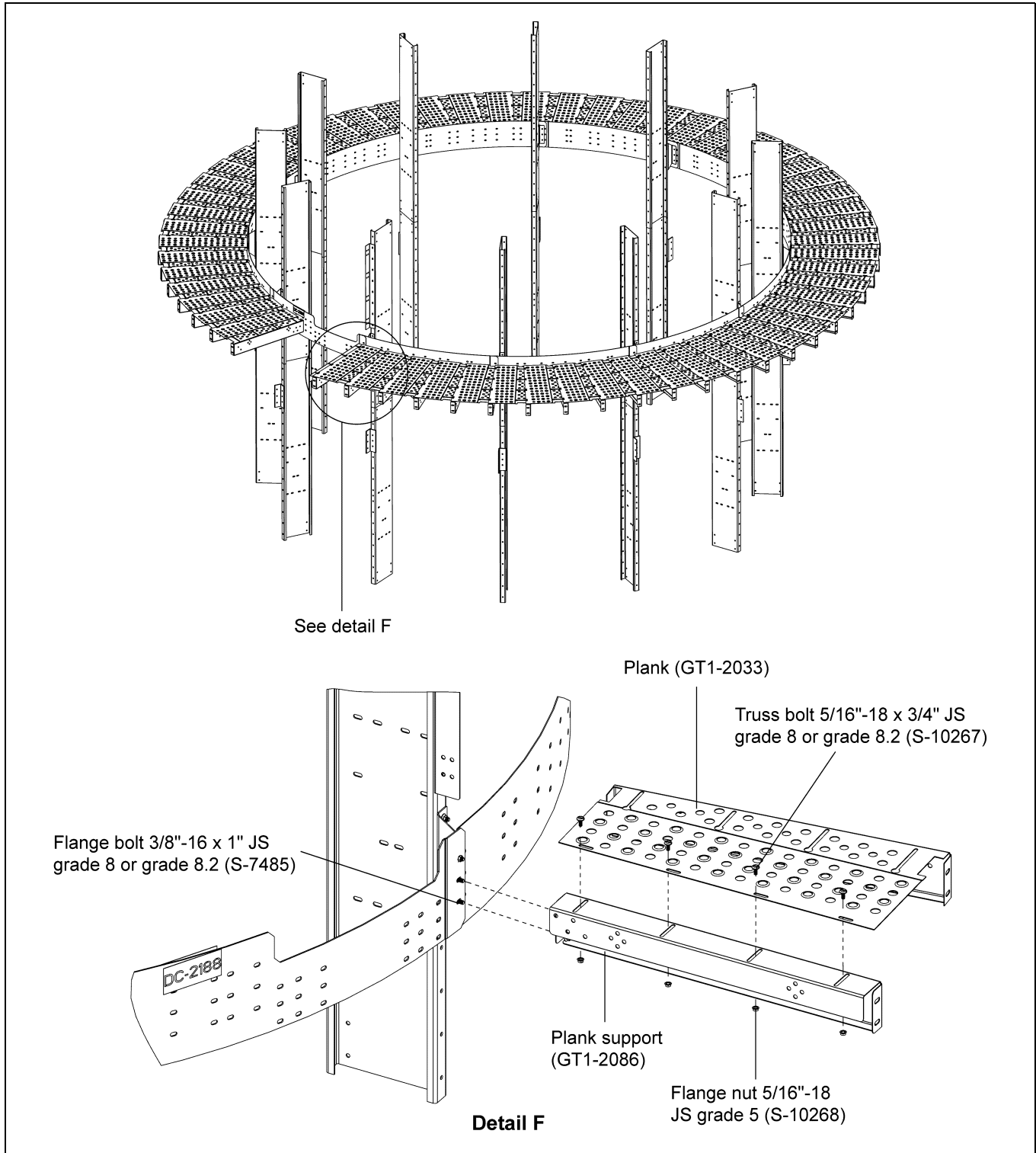


Figure 40

Installing Knee Support (GT1-2039-BS)

1. Install the knee support (GT1-2039-BS) around the dryer between the catwalk support clips (GT1-2040-BS) and planks (GT1-2033) using 3/8"-16 x 1" JS grade 8 or grade 8.2 bolts (S-7485) and 3/8"-16 ZN grade 5 nuts (S-968). (See Figure 4P and Figure 4Q.)

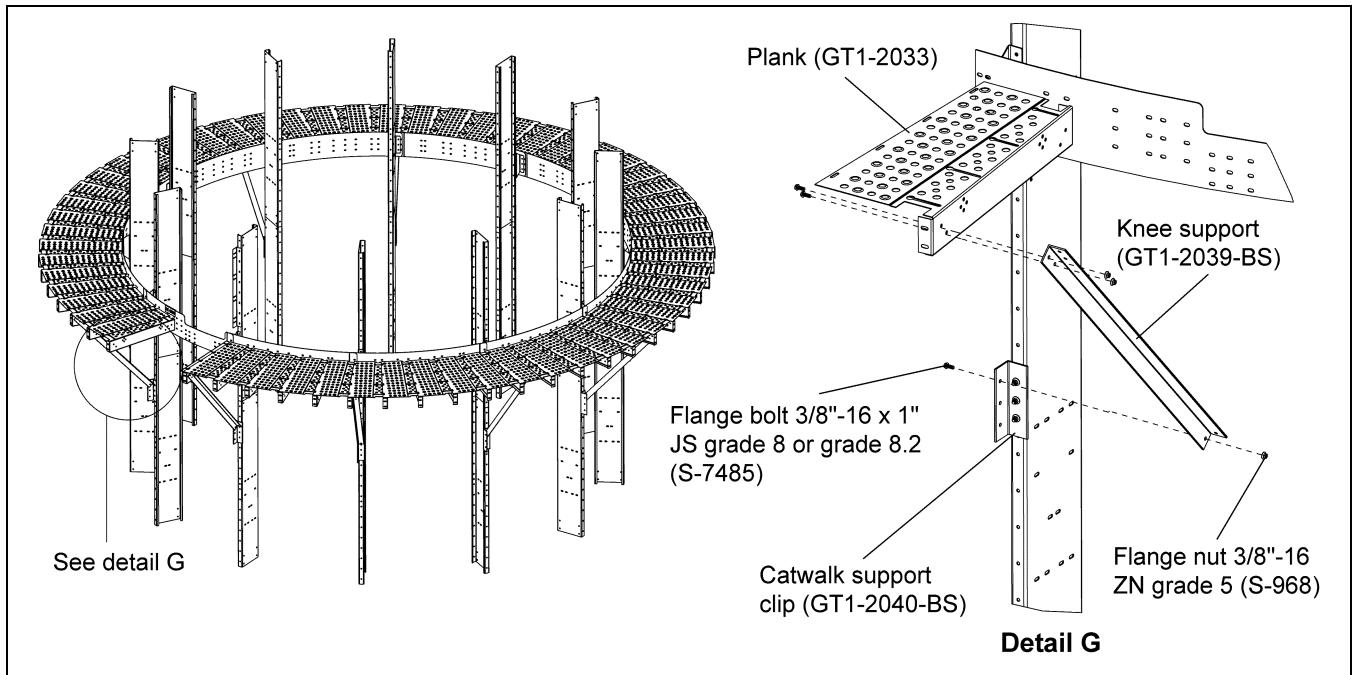


Figure 4P

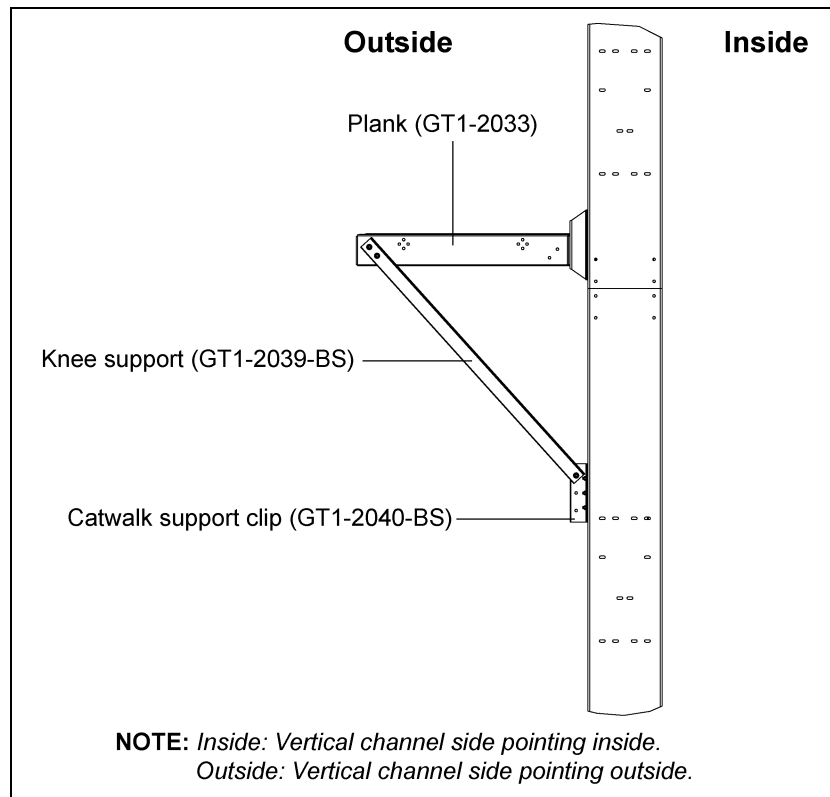


Figure 4Q

4. 18' Outside Catwalk Installation Instructions

Installing Outer Toe Board (GT1-2034) and Catwalk Vertical Support (GT1-2037-BS)

1. Install all the outer toe boards (GT1-2034) to the planks (GT1-2033). (See Figure 4R.)
2. When installing the outer toe board with planks, install the catwalk vertical support (GT1-2037-BS) simultaneously at proper locations using 3/8"-16 x 1" JS grade 8 or grade 8.2 bolts (S-7485) and 3/8"-16 ZN grade 5 nuts (S-968). (See Figure 4R and Figure 4T on Page 25.)

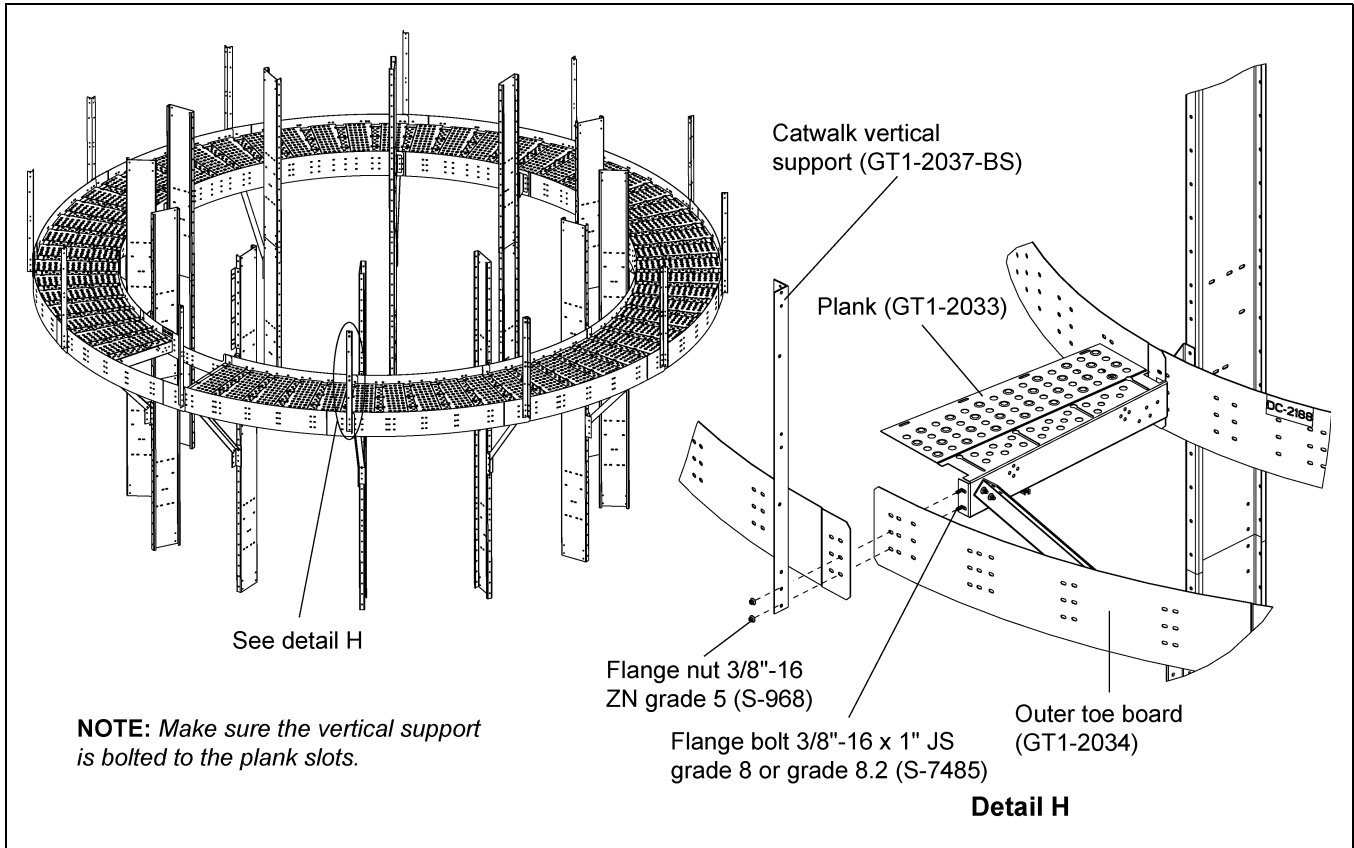


Figure 4R

3. Outer toe board (GT1-2034) is aligned and attached to the planks with the corresponding slots as shown in Figure 4S.

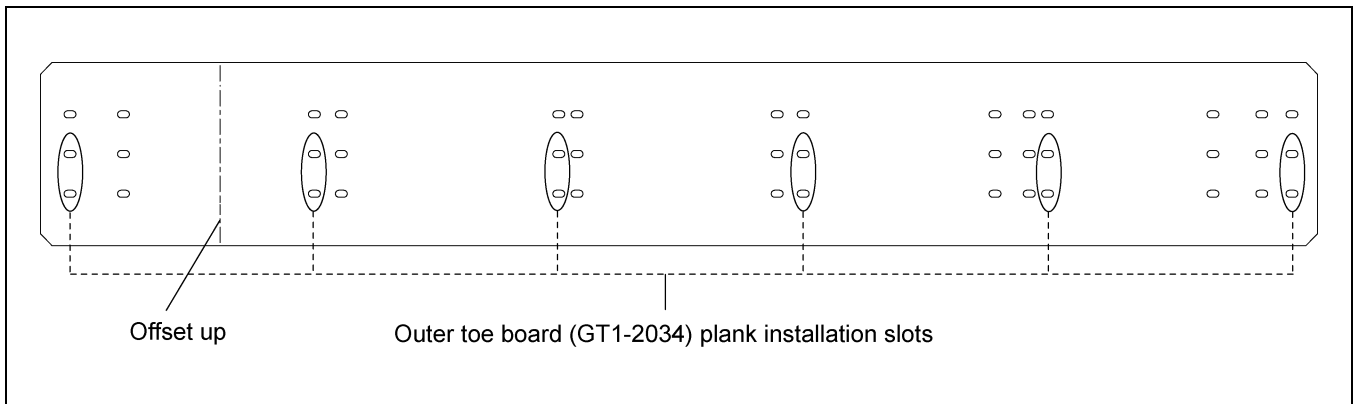


Figure 4S

4. 18' Outside Catwalk Installation Instructions

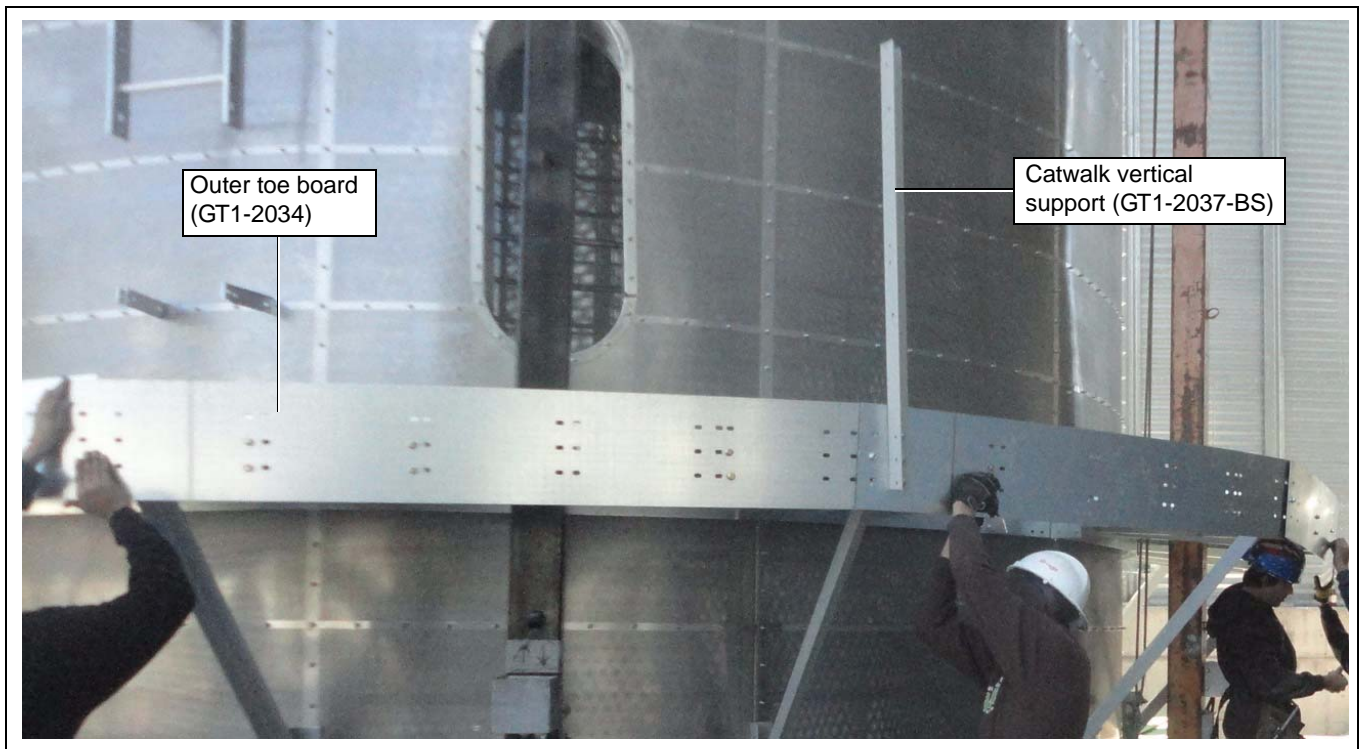


Figure 4T

4. 18' Outside Catwalk Installation Instructions

Installing Handrails (GT1-2038-180)

1. Install the handrail (GT1-2038-180) to the catwalk vertical support (GT1-2037-BS) using 5/16"-18 ZN U-bolts (S-10171) and 5/16"-18 JS grade 5 nuts (S-10268) to tighten the handrail with vertical post. (See Figure 4U.) (See Page 27.)

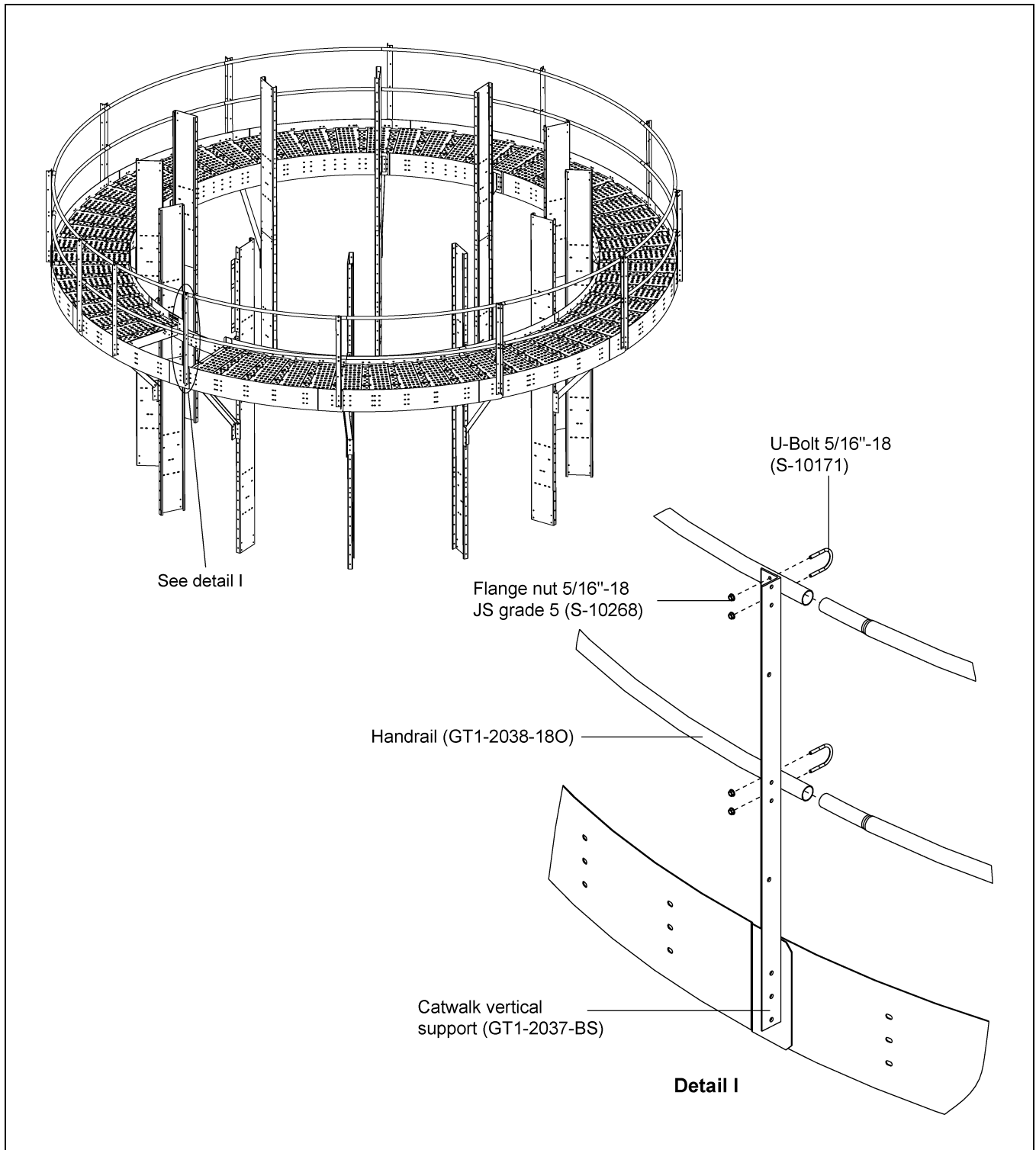


Figure 4U

Installing Handrails (GT1-2038-180) (Continued)



Figure 4V

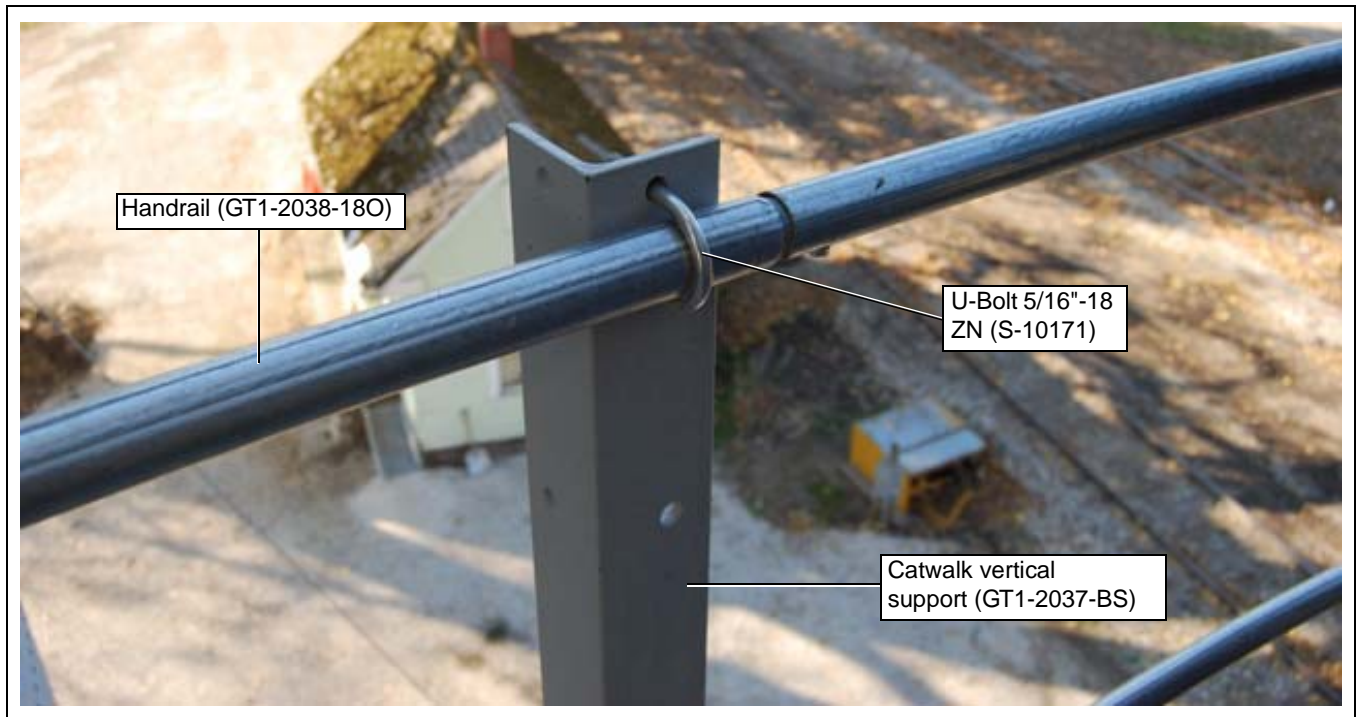


Figure 4W

4. 18' Outside Catwalk Installation Instructions

Installing Safety Gate (GT4-1455)

1. Install the swing gate support (GT1-2087) with the plank support (GT1-2086) using 3/8"-16 x 1" JS grade 8 or grade 8.2 bolts (S-7485) and 3/8"-16 ZN grade 5 nuts (S-968). (See detail J in [Figure 4X](#).)
2. Install two (2) catwalk handrails (GT1-0920) between the swing gate support (GT1-2087) and the catwalk vertical support (GT1-2037-BS) using 3/8"-16 x 1" JS grade 8 or grade 8.2 bolts (S-7485) and 3/8"-16 ZN grade 5 nuts (S-968). (See detail J in [Figure 4X](#).)
3. On the other side, install the swing gate support (GT1-2087) to the plank (GT1-2033) using 3/8"-16 x 1" JS grade 8 or grade 8.2 bolts (S-7485) and 3/8"-16 ZN grade 5 nuts (S-968). (See detail K in [Figure 4X](#).)
4. Install two (2) catwalk handrails (GT1-0920) between the swing gate support (GT1-2087) and the catwalk vertical support (GT1-2037-BS) using 3/8"-16 x 1" JS grade 8 or grade 8.2 bolts (S-7485) and 3/8"-16 ZN grade 5 nuts (S-968). (See detail K in [Figure 4X](#).)

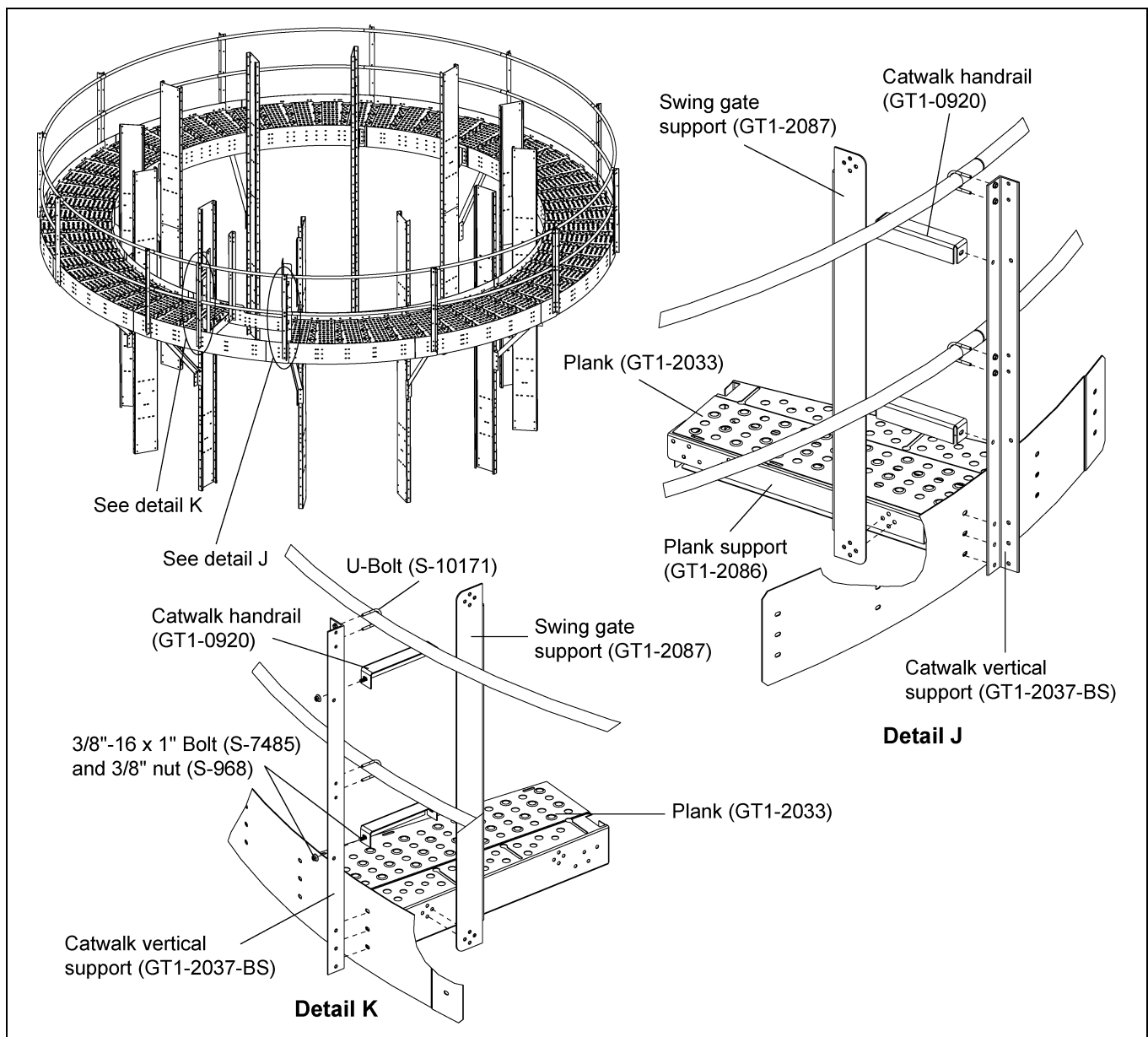


Figure 4X

Installing Safety Gate (GT4-1455) (Continued)

5. Install the ladder safety gate assembly (GT4-1455) to the swing gate support (GT1-2087) using 3/8"-16 x 1" JS grade 8 or grade 8.2 bolts (S-7485) and 3/8"-16 ZN grade 5 nuts (S-968). (See detail L in [Figure 4Y](#).)
6. Install the ladder safety gate (GT4-1455) to the swing gate support (GT1-2087) and attach the stop plate (GT1-2091) to the ladder opening toe board (GT4-1465) and the plank (GT1-2033) using 3/8"-16 x 1" JS grade 8 or grade 8.2 bolts (S-7485) and 3/8"-16 ZN grade 5 nuts (S-968). (See detail M in [Figure 4Y](#).) The distance between the plank and handrail is 42".

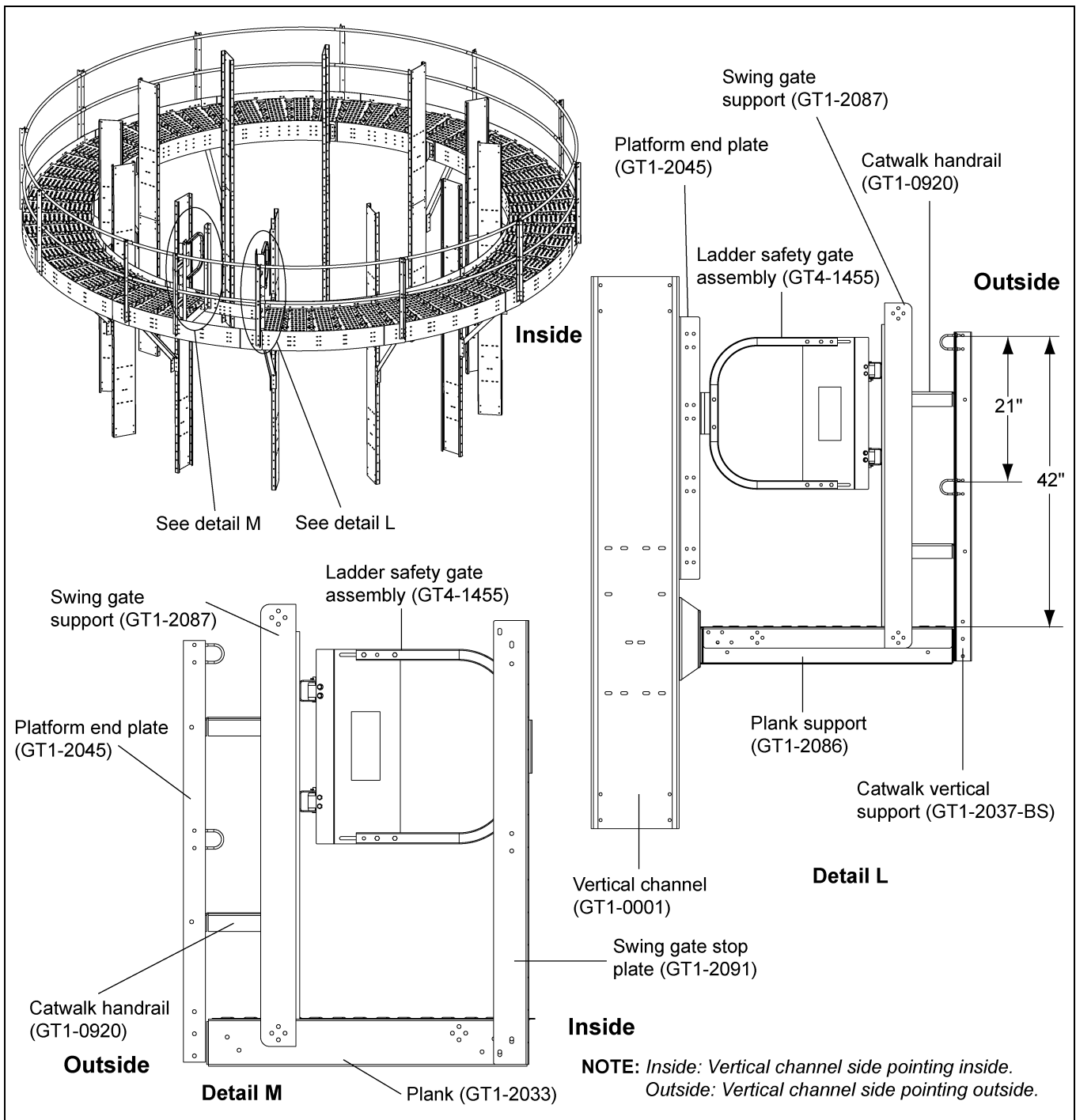


Figure 4Y

4. 18' Outside Catwalk Installation Instructions

Installing Ladder Bracket (GT1-2447-L and GT1-2447-R)

1. Install the ladder brackets (GT1-2447-L and GT1-2447-R) to the ladder opening toe board (GT4-1465) using 3/8"-16 x 1" JS grade 8 or grade 8.2 bolts (S-7485) and 3/8"-16 ZN grade 5 nuts (S-968). (See Figure 4Z.)

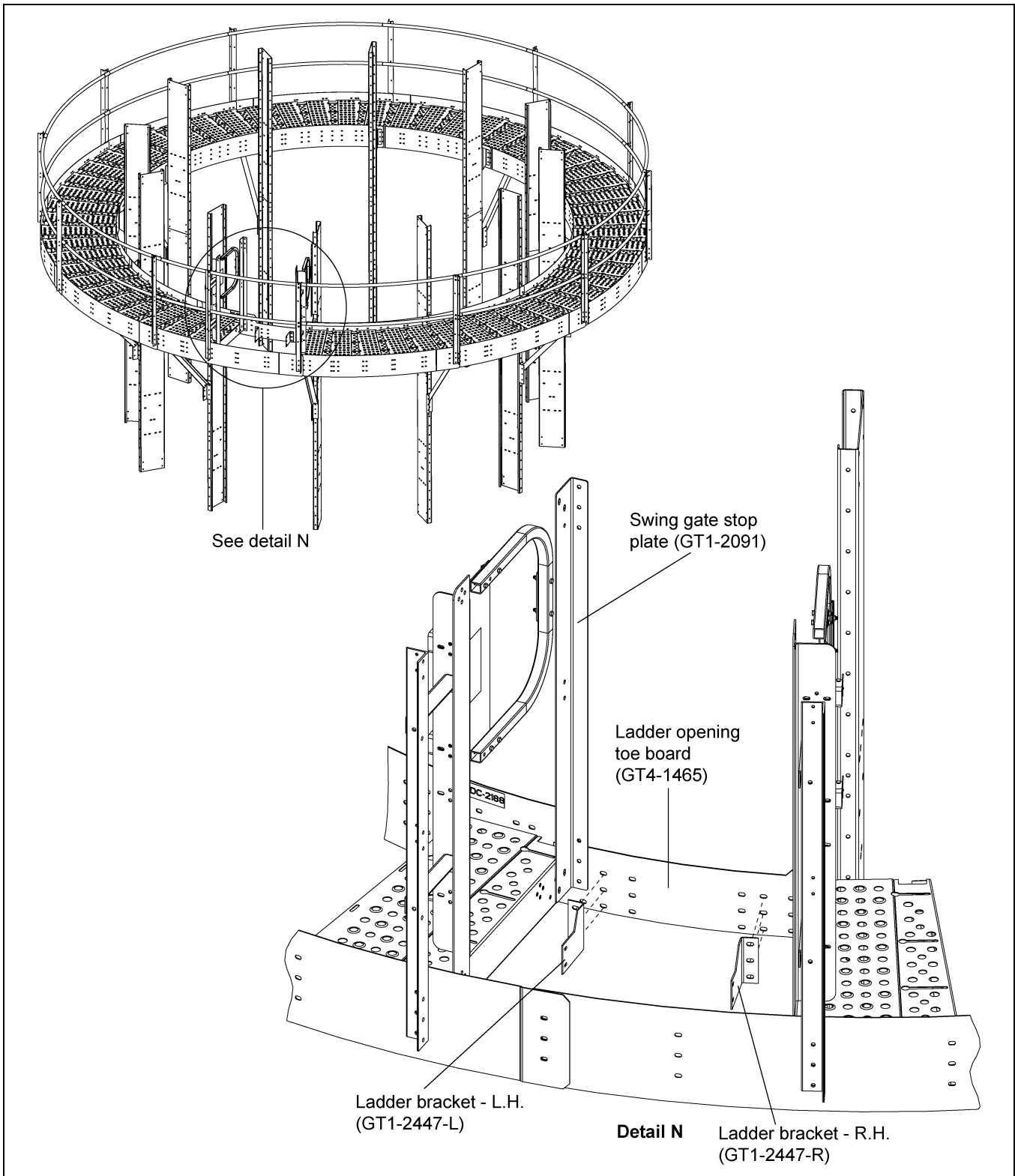


Figure 4Z

Installing Planks at Jack Pole Locations

Once catwalk is lifted above the jack poles, install the planks at jack pole locations from top using 5/16"-18 x 3/4" JS grade 8 or grade 8.2 bolts (S-10267) and retainer nuts (090-1709-6). (See Figure 4AA.)



Figure 4AA

1. Insert the retainer nut (090-1709-6) to the rounded edge of the plank slot and slide it to the proper position as shown in the detail O of Figure 4AB.
2. Place the following plank over the installed plank and bolt to the retainer nut (090-1709-6) using 5/16"-18 x 3/4" bolt (S-10267) as shown in the detail P of Figure 4AB.

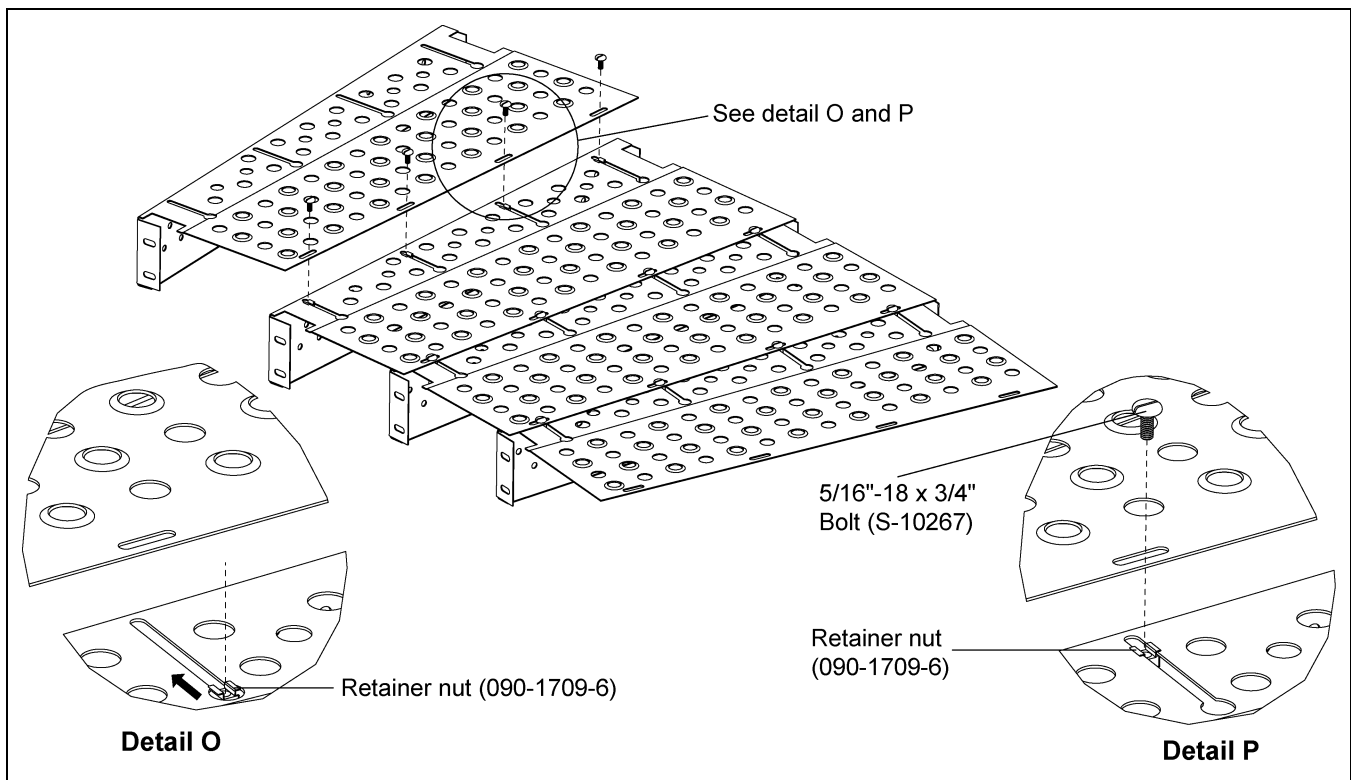


Figure 4AB

4. 18' Outside Catwalk Installation Instructions

Installing Planks at Jack Pole Locations (Continued)

3. Install the holding plate (GT1-2144) (pre-assembled with two (2) extruded nuts (S-10175)) to the proper slots in the toe board and hand tight using 3/8"-16 x 1" JS grade 8 or grade 8.2 bolt (S-7485) and 3/8"-16 ZN grade 5 nut (S-968). (See Figure 4AC.)
4. Now adjust the plank to align with the slot and bolt from outside the toe board. (See Figure 4AC.)

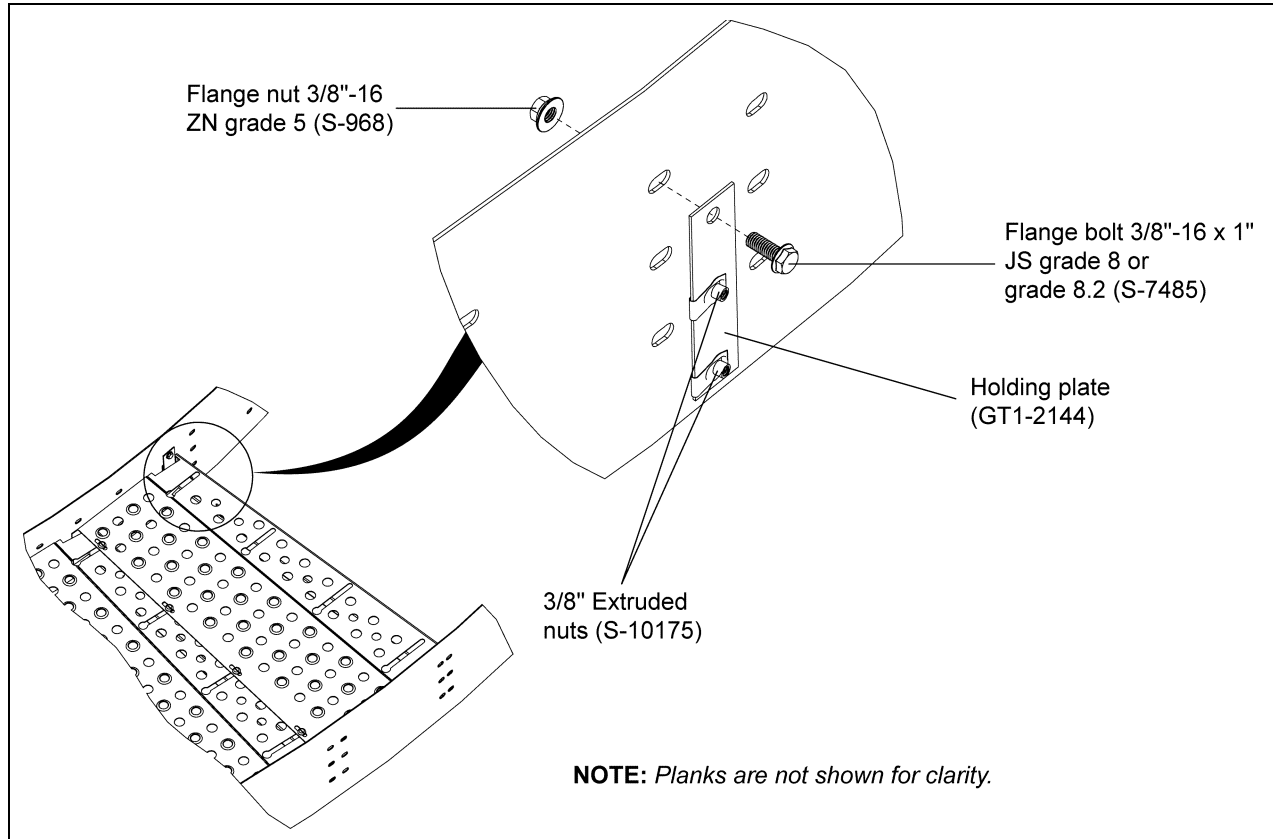


Figure 4AC



Figure 4AD

Outside Catwalk Walk Surface

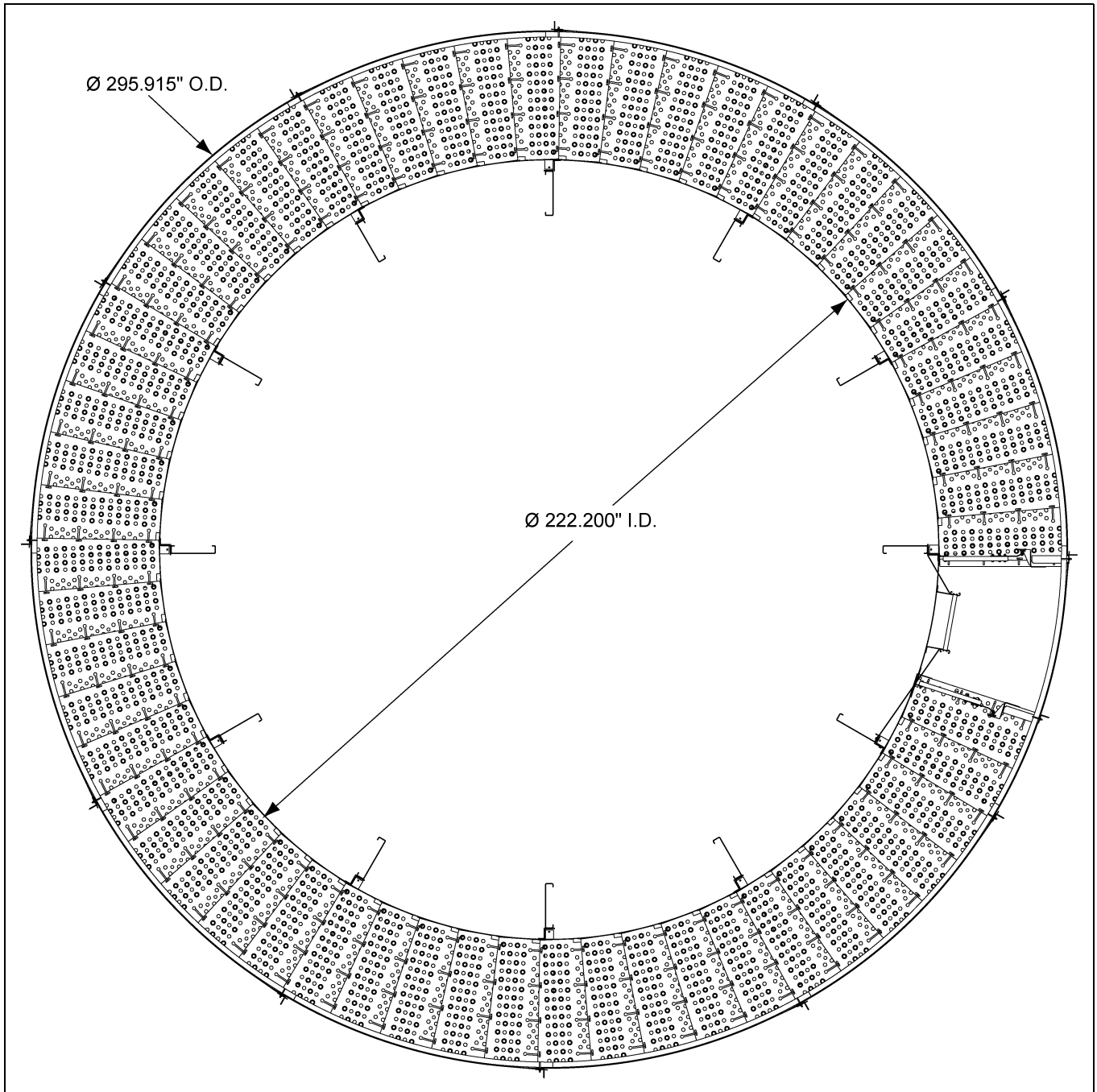


Figure 4AE

NOTES



18' Inside Fan Style Catwalk Assembly Instructions (GT4-1043-18F)

5. 18' Inside Catwalk Installation Instructions

Installing Z-Clips (GT1-2036)

1. Bolt Z-clips (GT1-2036) to all vertical channels (GT1-0001). The Z-clip can be installed on each vertical channel as inner wall sheets are installed using 3/8"-16 x 1" JS grade 8 or grade 8.2 bolts (S-7485) and 3/8"-16 ZN grade 5 nuts (S-968). (See Figure 5A.)

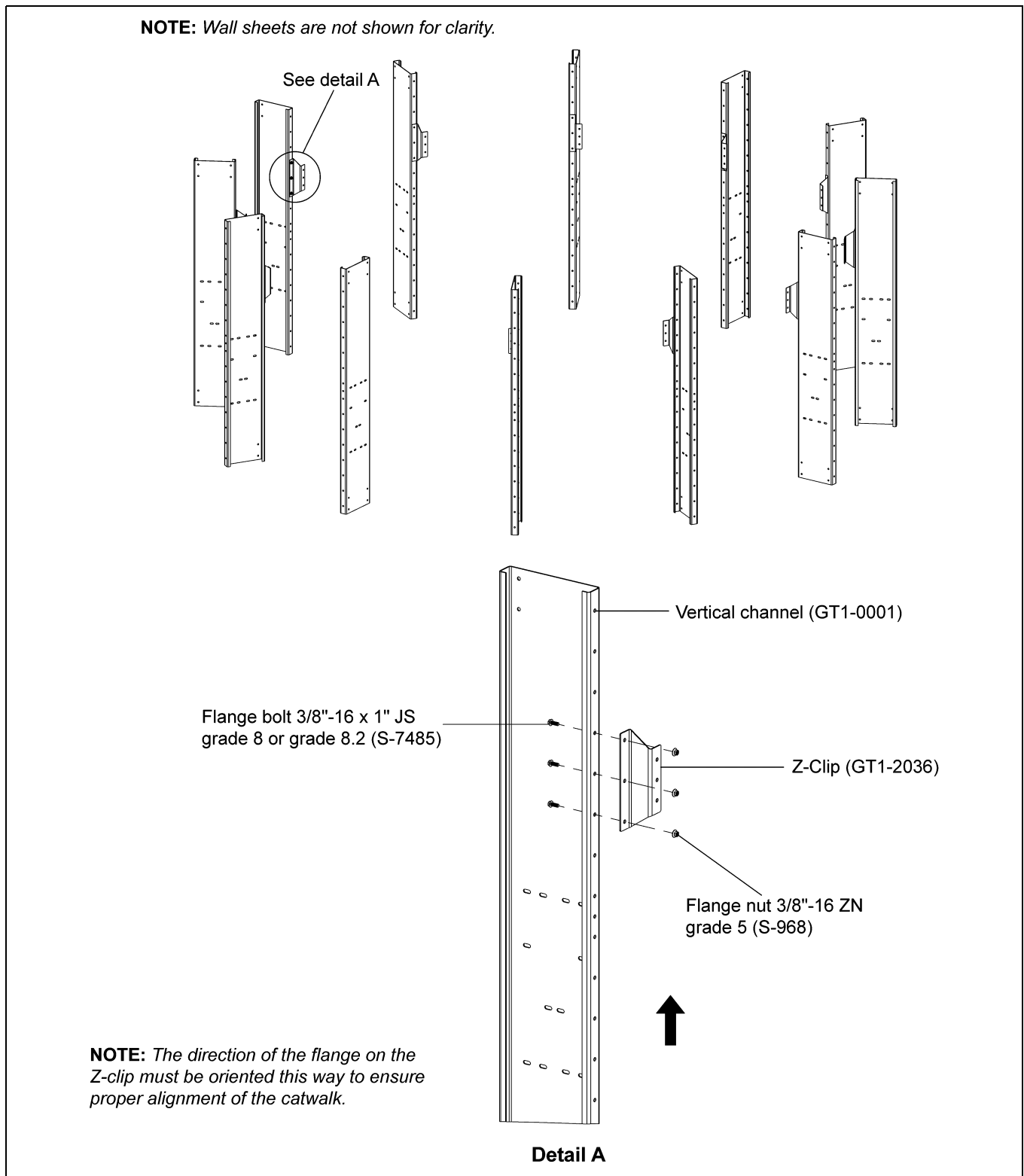


Figure 5A

Installing Catwalk Support Clip (GT1-2040-BS)

1. Install catwalk support clips (GT1-2040-BS) to vertical channels (GT1-0001). Support clip can be installed on each vertical channel as the inner wall sheets are installed using 3/8"-16 x 1" JS grade 8 or grade 8.2 bolts (S-7485) and 3/8"-16 ZN grade 5 nuts (S-968). (See Figure 5B.)
2. The distance between the Z-clip and support clip for 18' inside catwalk is 31-1/2". (See Figure 5C.)

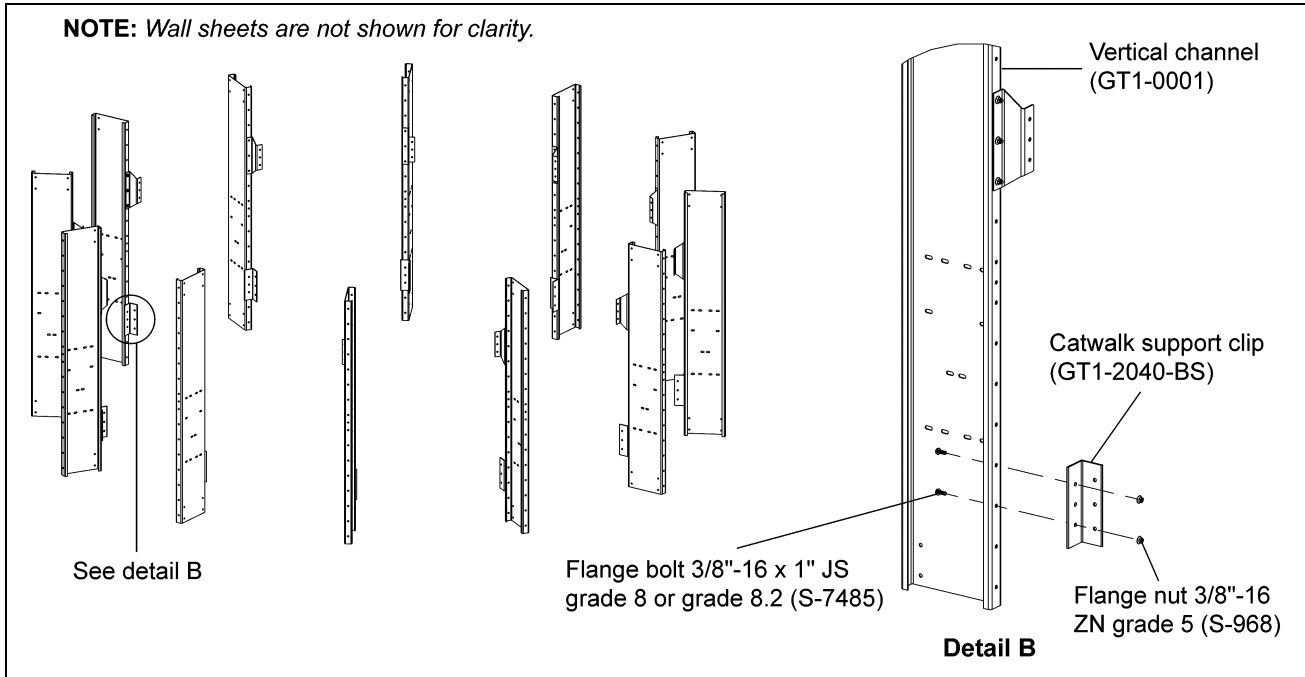


Figure 5B

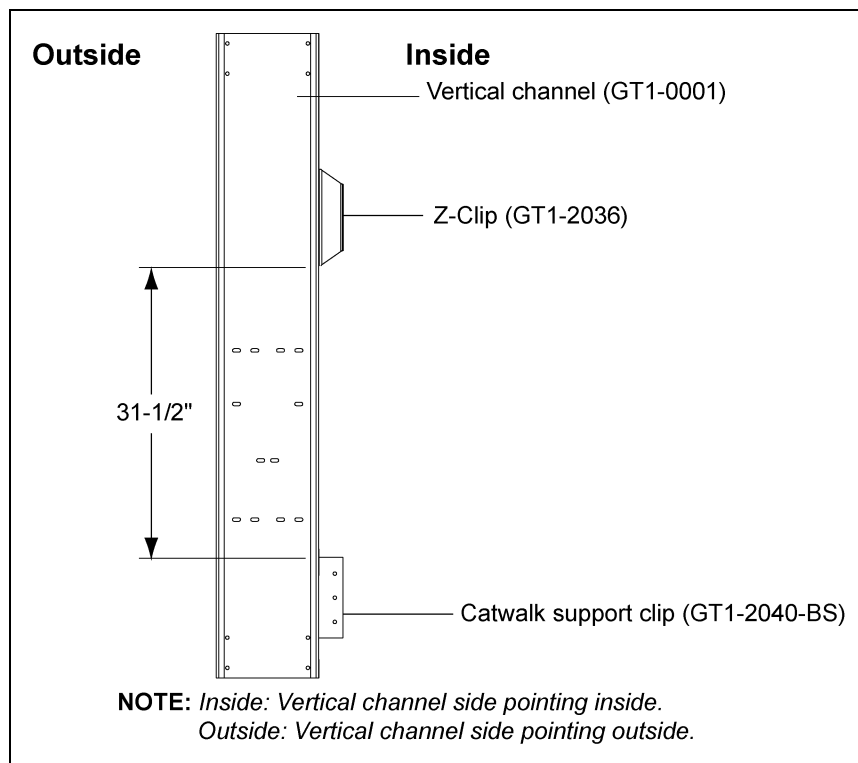


Figure 5C

5. 18' Inside Catwalk Installation Instructions

Installing Outer Toe Board (GT1-2062)

1. Install the outer toe board (GT1-2062) to the Z-clips (GT1-2036). All toe boards should be installed between the Z-clips using 3/8"-16 x 1" JS grade 8 or grade 8.2 bolts (S-7485) and 3/8"-16 ZN grade 5 nuts (S-968). (See Figure 5D.)

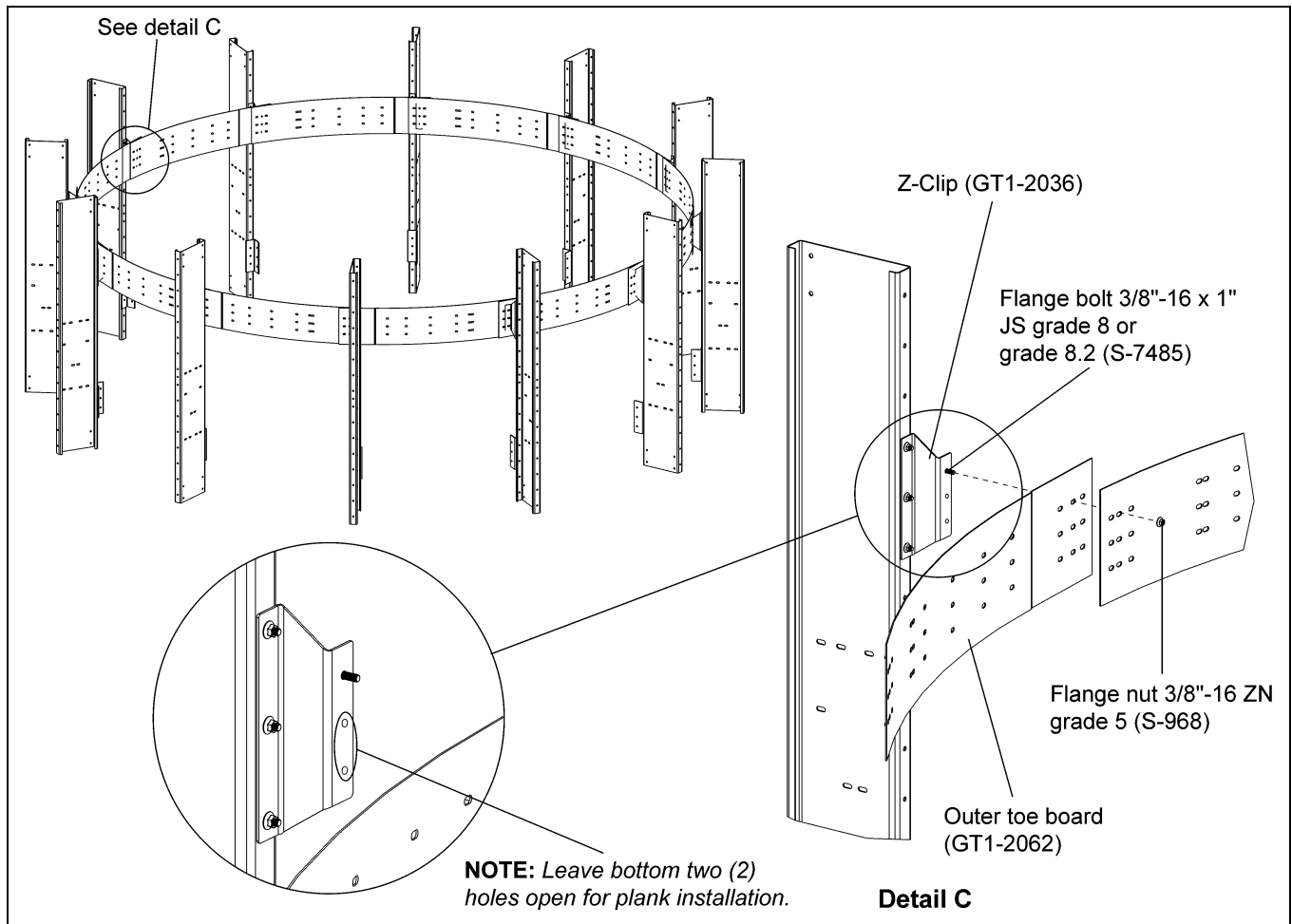


Figure 5D

2. Outer toe board is arranged with overlap slots on each side. Install 18' outer toe boards (GT1-2062) to corresponding slots as shown in Figure 5E.

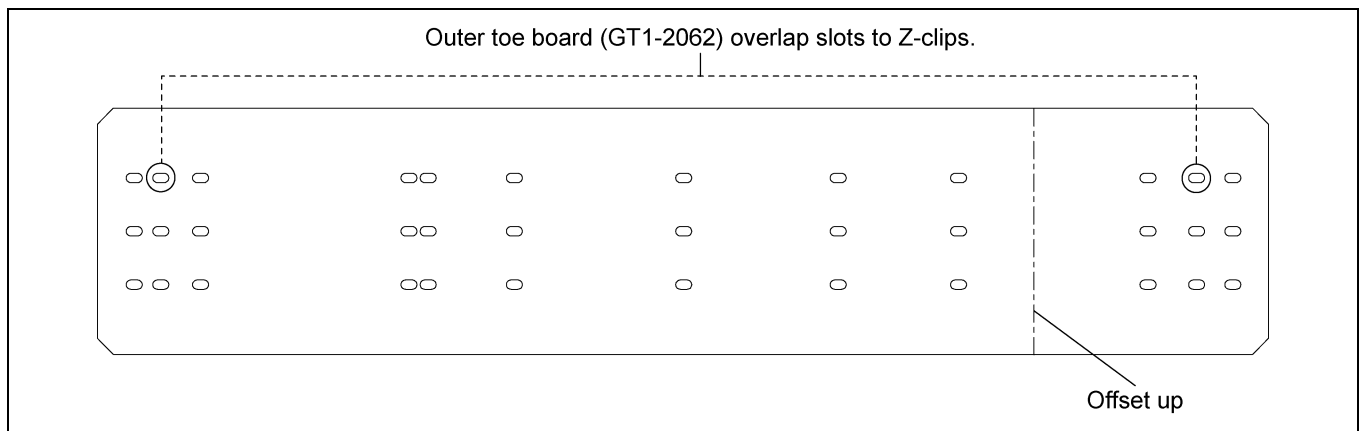


Figure 5E 18' Outer Toe Board (GT1-2062)

Installing Planks (GT1-2033) to Outer Toe Board (GT1-2062)

1. Install the planks (GT1-2033) to the outer toe board (GT1-2062) using 3/8"-16 x 1" JS grade 8 or grade 8.2 bolts (S-7485) and 3/8"-16 ZN grade 5 nuts (S-968). (See [Figure 5F.](#))

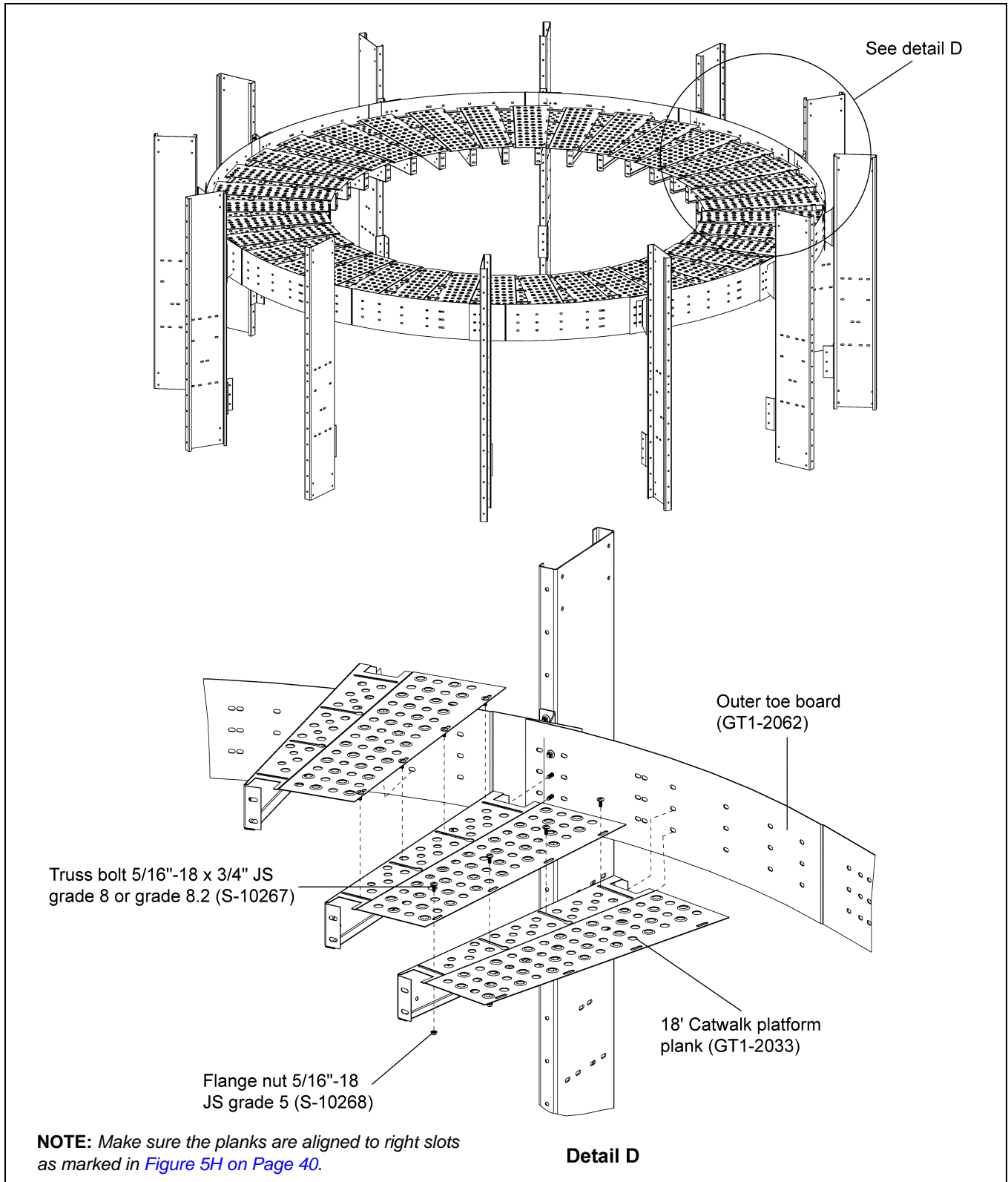


Figure 5F

5. 18' Inside Catwalk Installation Instructions

Installing Planks (GT1-2033) to Outer Toe Board (GT1-2062) (Continued)

2. Install all the planks (GT1-2033) continuously around the dryer. (See [Figure 5G.](#))

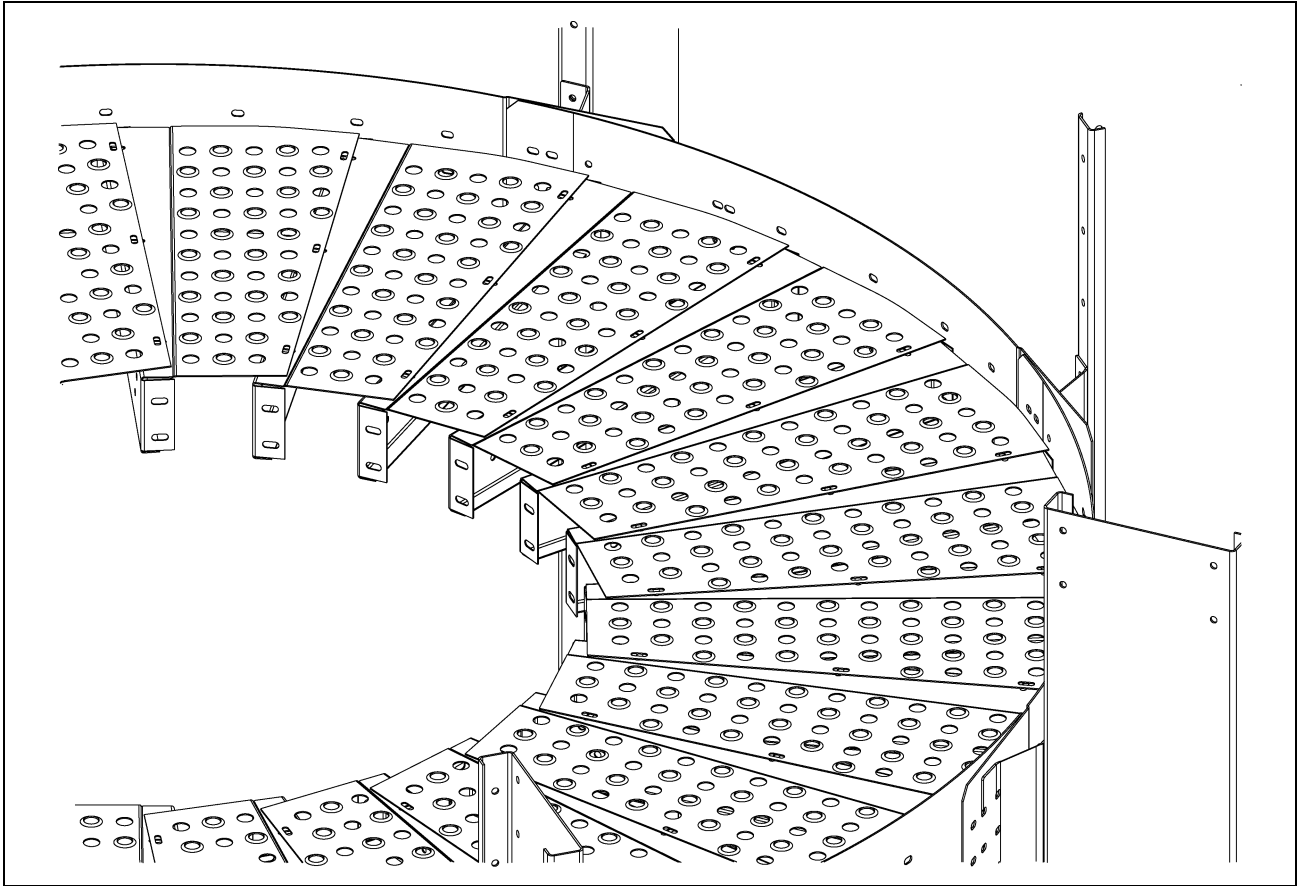


Figure 5G

3. Outer toe board (GT1-2062) is arranged with many slots to install plank. Install planks to corresponding slots as shown in [Figure 5H.](#)

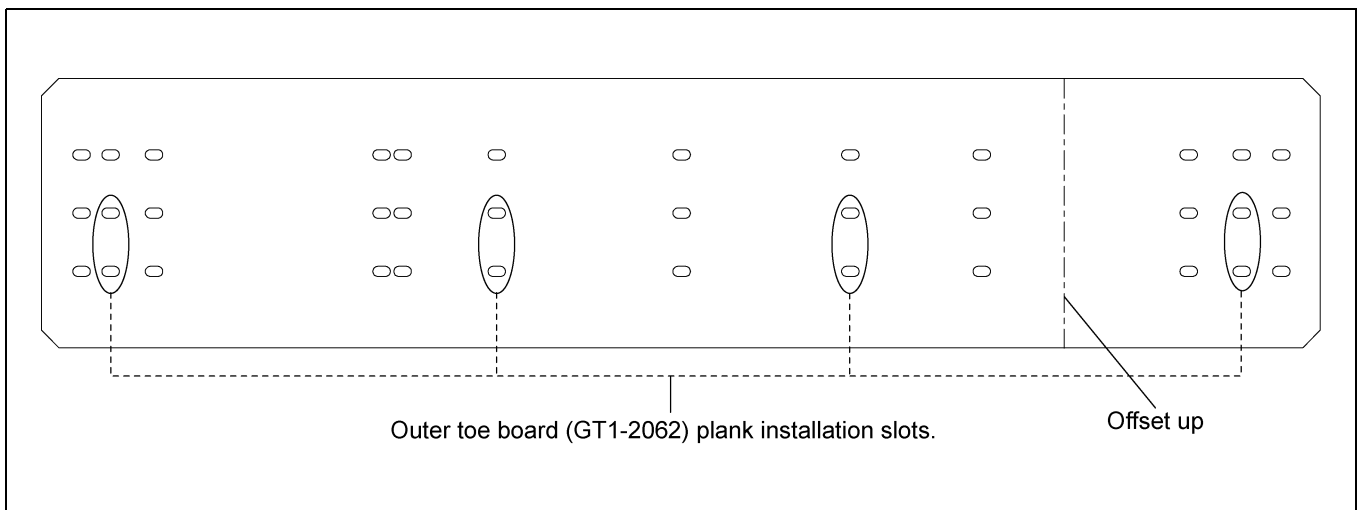


Figure 5H 18' Outer Toe Board (GT1-2062)

Installing Knee Support (GT1-2039-BS)

1. Install the knee support (GT1-2039-BS) around the dryer between the catwalk support clips (GT1-2040-BS) and planks (GT1-2033) using 3/8"-16 x 1" JS grade 8 or grade 8.2 bolts (S-7485) and 3/8"-16 ZN grade 5 nuts (S-968). (See Figure 5I.)

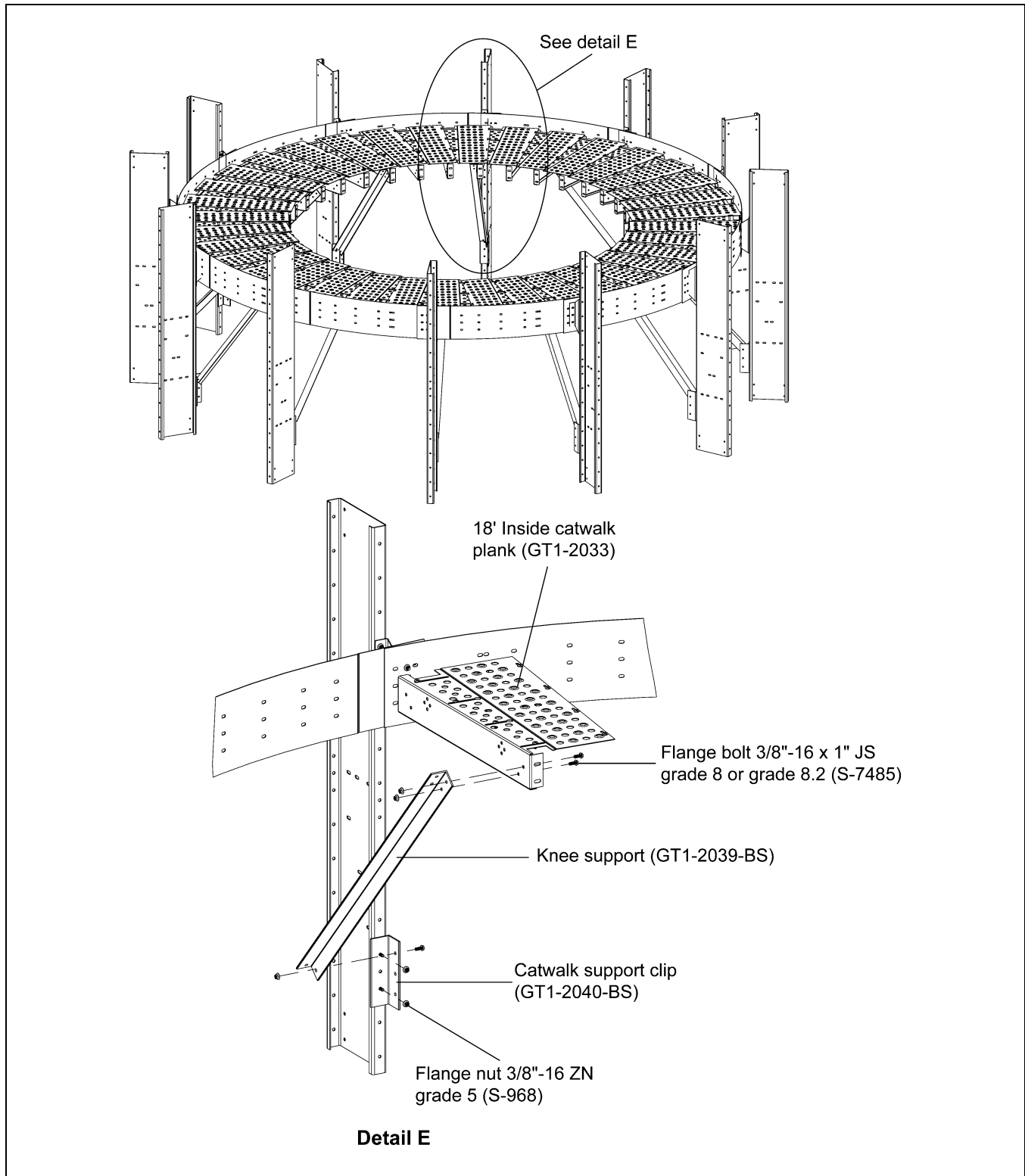


Figure 5I

5. 18' Inside Catwalk Installation Instructions

Installing Inner Toe Board (GT1-2061) and Catwalk Vertical Support (GT1-2037-BS)

1. Install all the inner toe boards (GT1-2061) to the planks (GT1-2033). (See Figure 5J.)
2. When installing the inner toe board with planks, install the catwalk vertical support (GT1-2037-BS) simultaneously at proper locations using 3/8"-16 x 1" JS grade 8 or grade 8.2 bolts (S-7485) and 3/8"-16 ZN grade 5 nuts (S-968). (See Figure 5J.)

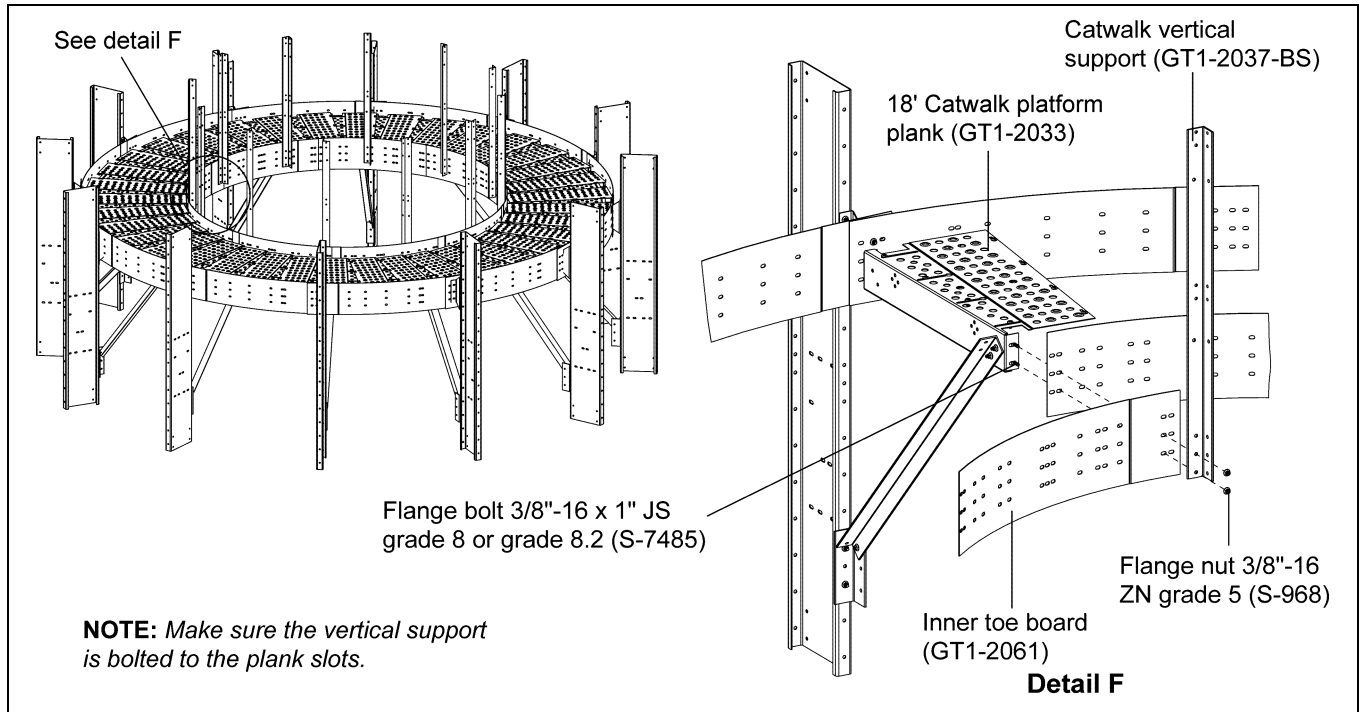


Figure 5J

3. Inner toe board is arranged with overlap slots on each side and plank installation slots. Install 18' inner toe boards (GT1-2061) to corresponding overlap and plank installation slots as shown in Figure 5K.

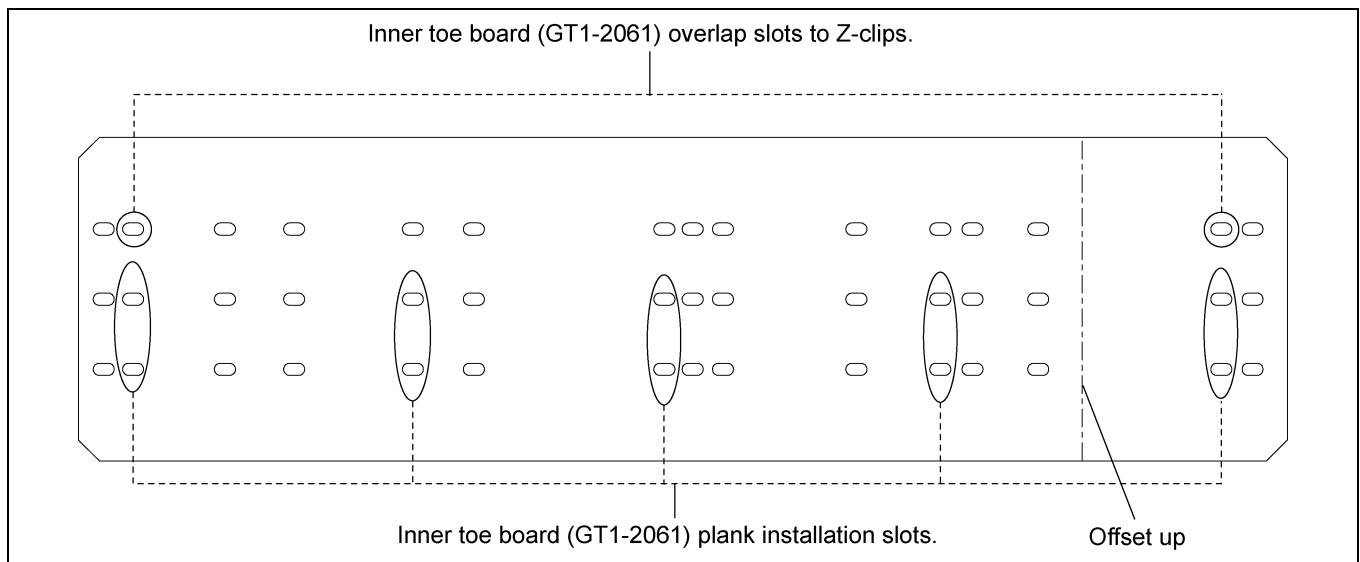


Figure 5K 18' Inner Toe Board (GT1-2061)

Installing Handrail (GT1-2038-18I)

1. Install the handrail (GT1-2038-18I) to the catwalk vertical support (GT1-2037-BS) using 5/16"-18 ZN U-bolts (S-10171) and 5/16"-18 JS grade 5 nuts (S-10268) to tighten the handrail with vertical post. (See Figure 5L and Figure 5M.)

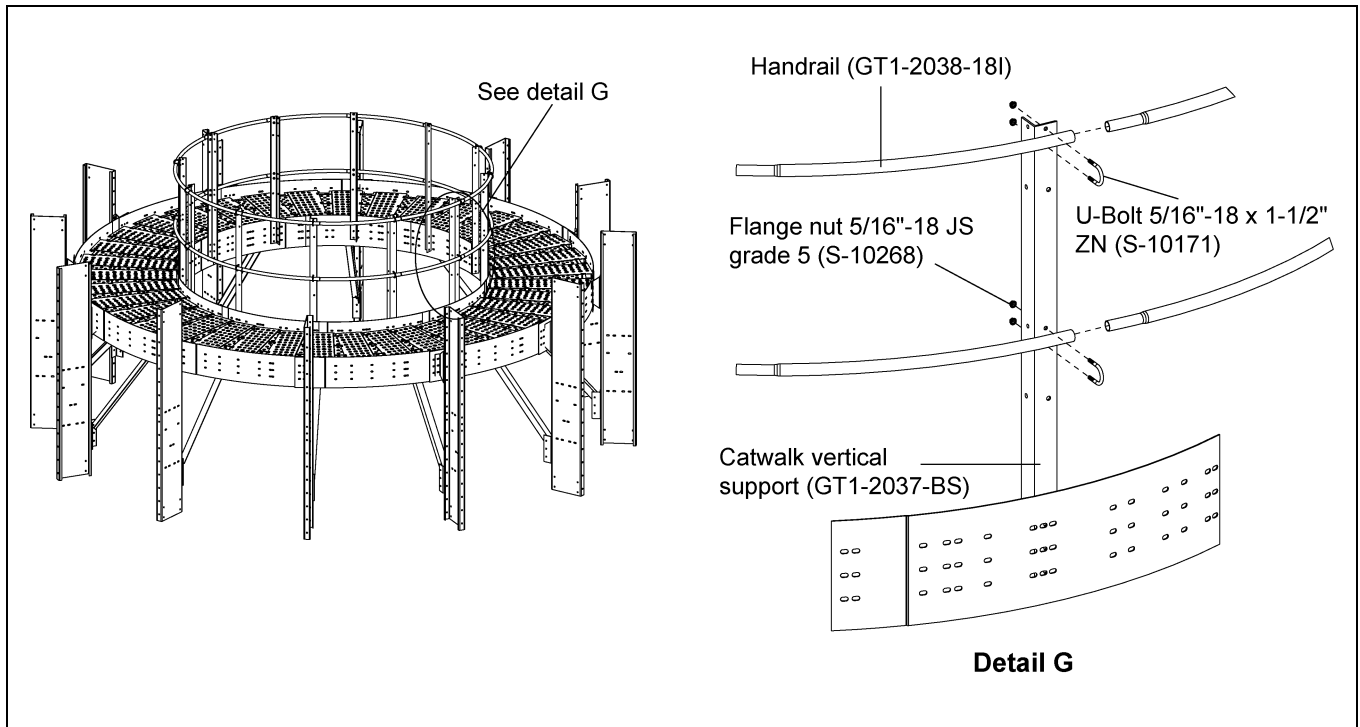


Figure 5L

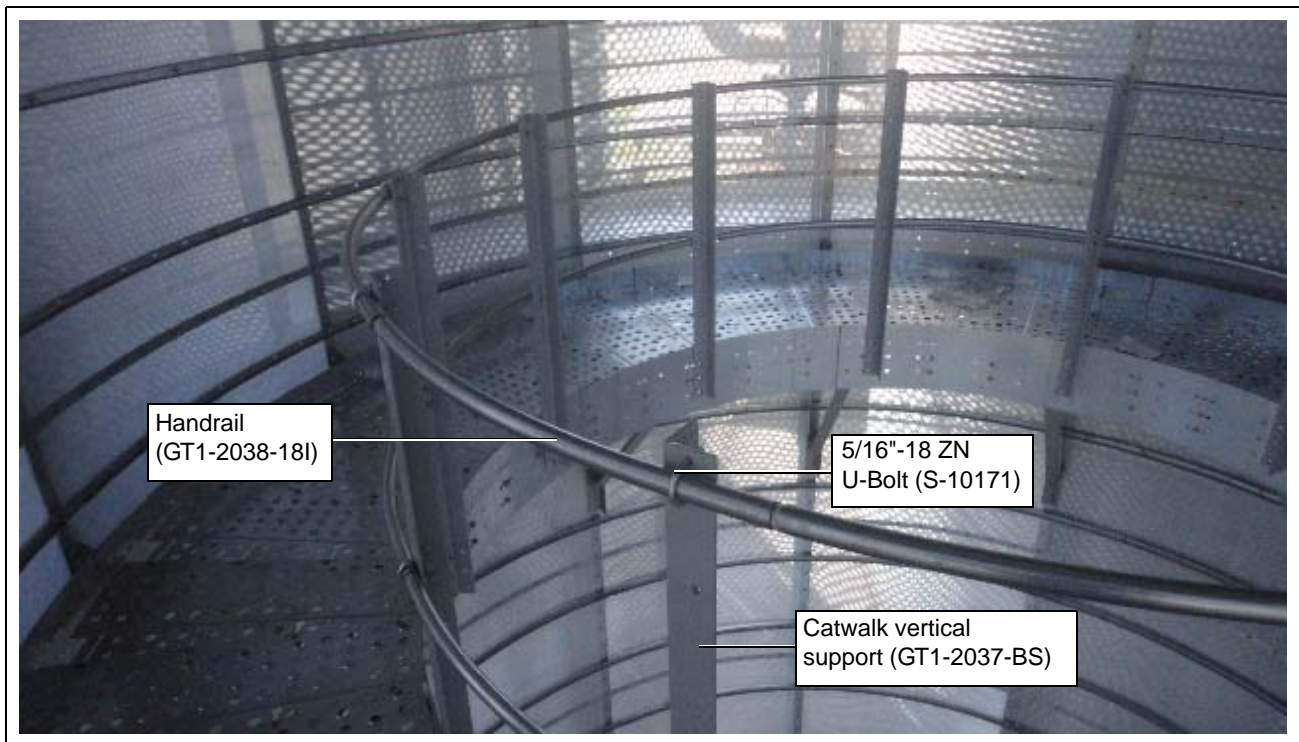


Figure 5M

Inside Catwalk Walk Surface

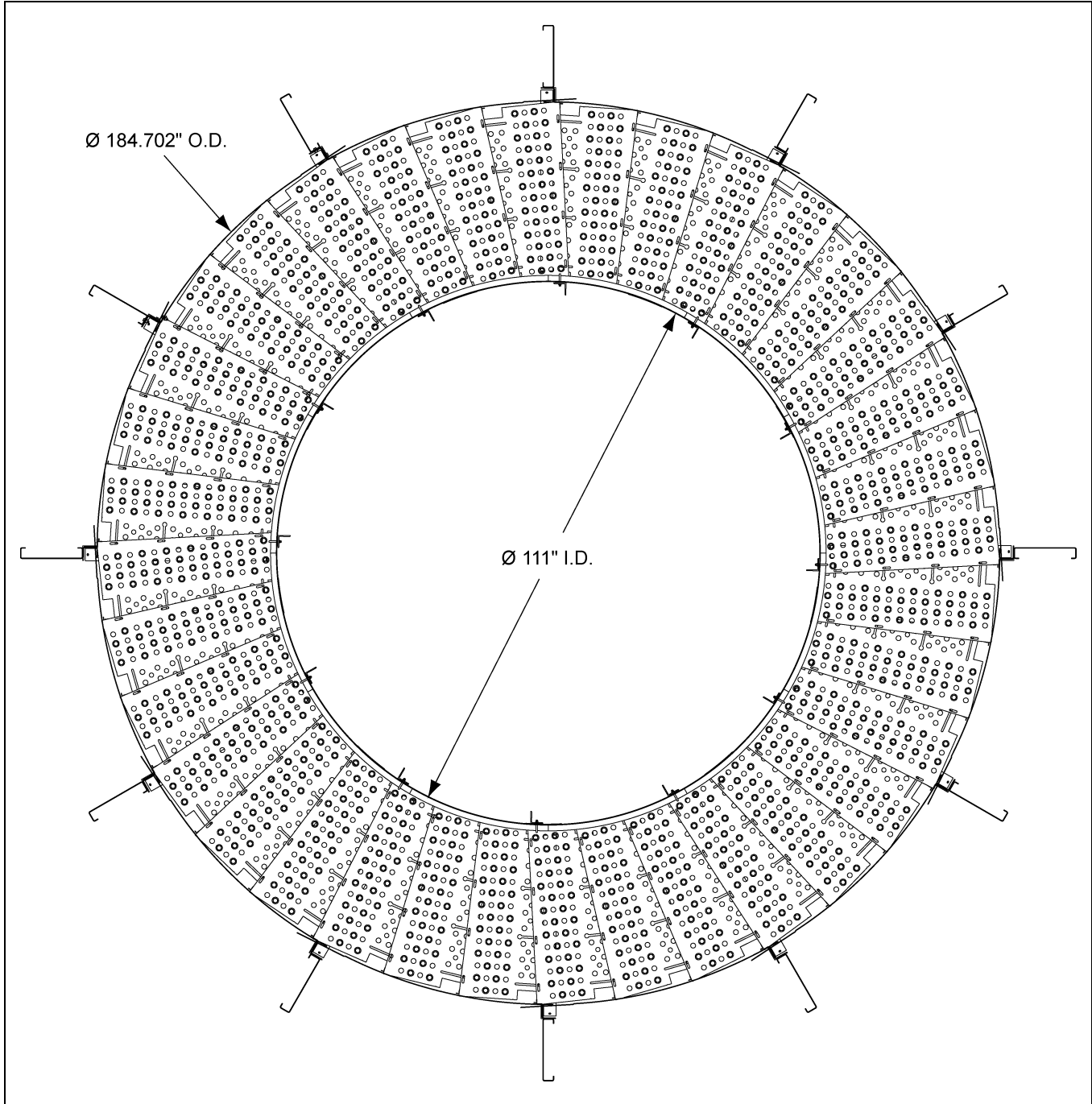


Figure 5N



**18' Offset (GT4-1047-18F)
and Roof Hatch (GT4-1051-18F)
Fan Style Platform Assembly
Instructions**

6. 18' Offset and Roof Hatch Platform Installation Instructions

Installing Z-Clips (GT1-2036)

1. Bolt Z-clips (GT1-2036) to vertical channels (GT1-0001). The Z-clip can be installed on each vertical channel as wall sheets are installed using 3/8"-16 x 1" JS grade 8 or grade 8.2 bolts (S-7485) and 3/8"-16 ZN grade 5 nuts (S-968). (See Figure 6A, Figure 6B below, Figure 6C and Figure 6D on Page 47.)

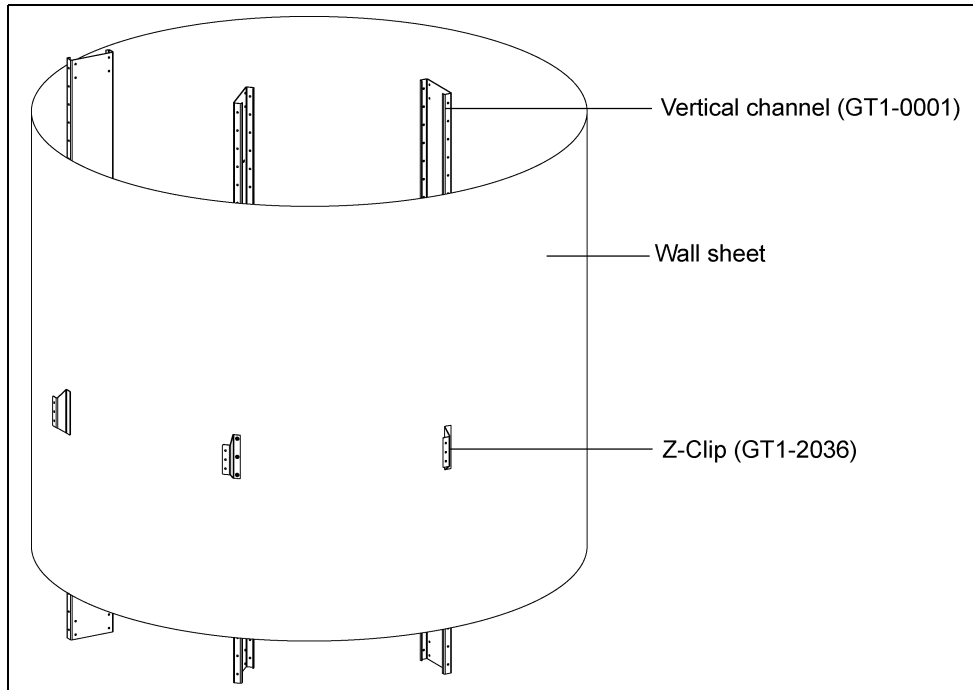


Figure 6A Offset Z-Clip Installation

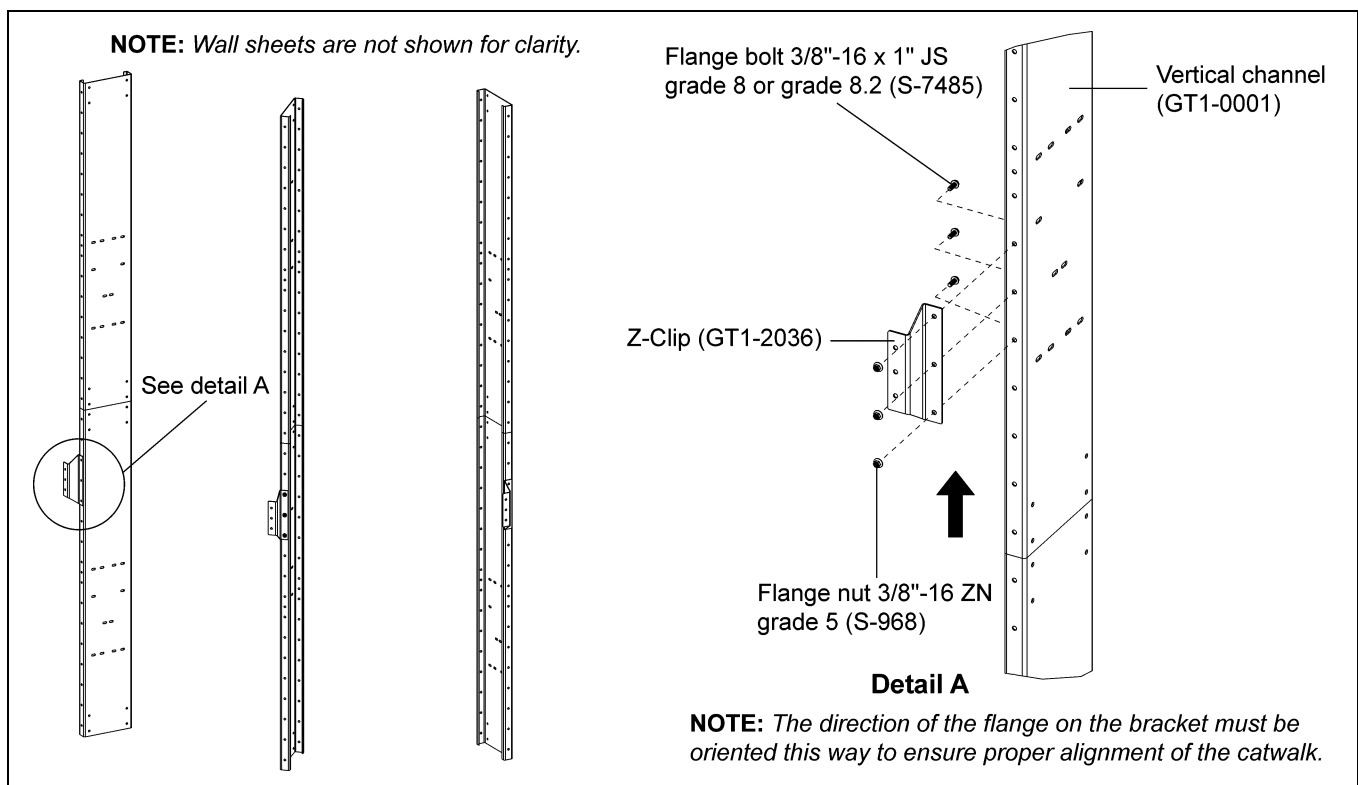


Figure 6B Offset Z-Clip Installation

Installing Z-Clips (GT1-2036) (Continued)

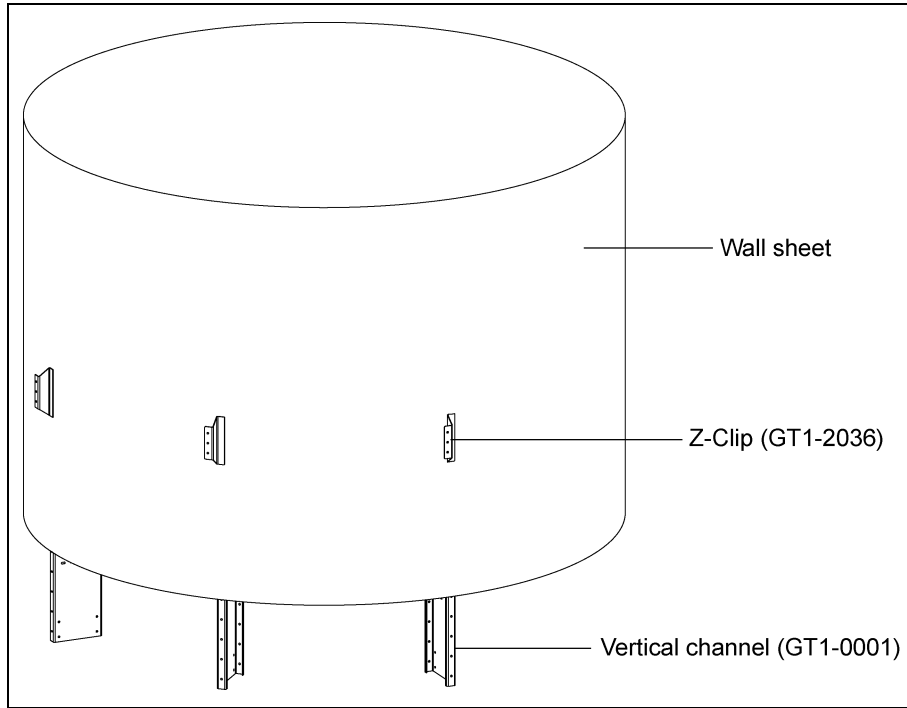


Figure 6C Roof Hatch Z-Clip Installation

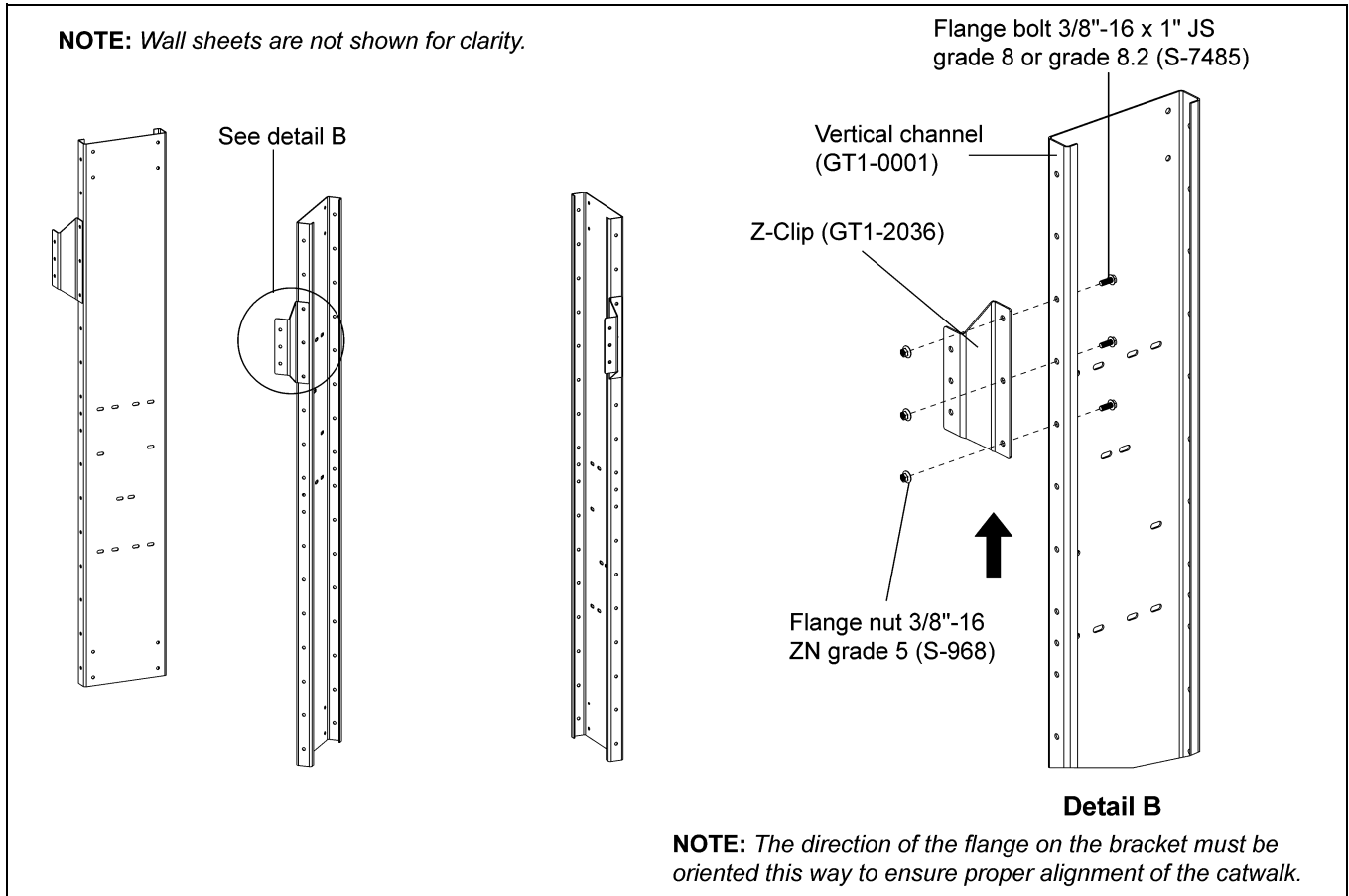


Figure 6D Roof Hatch Z-Clip Installation

6. 18' Offset and Roof Hatch Platform Installation Instructions

Installing Swing Gate Stop (GT1-2045)

1. Install swing gate stops (GT1-2045) to the safety gate opening vertical channel and catwalk end vertical channel on offset catwalk as wall sheets are installed using 3/8"-16 x 1" JS grade 8 or grade 8.2 bolts (S-7485) and 3/8"-16 grade 5 nuts (S-968). (See Figure 6E and Figure 6F.)

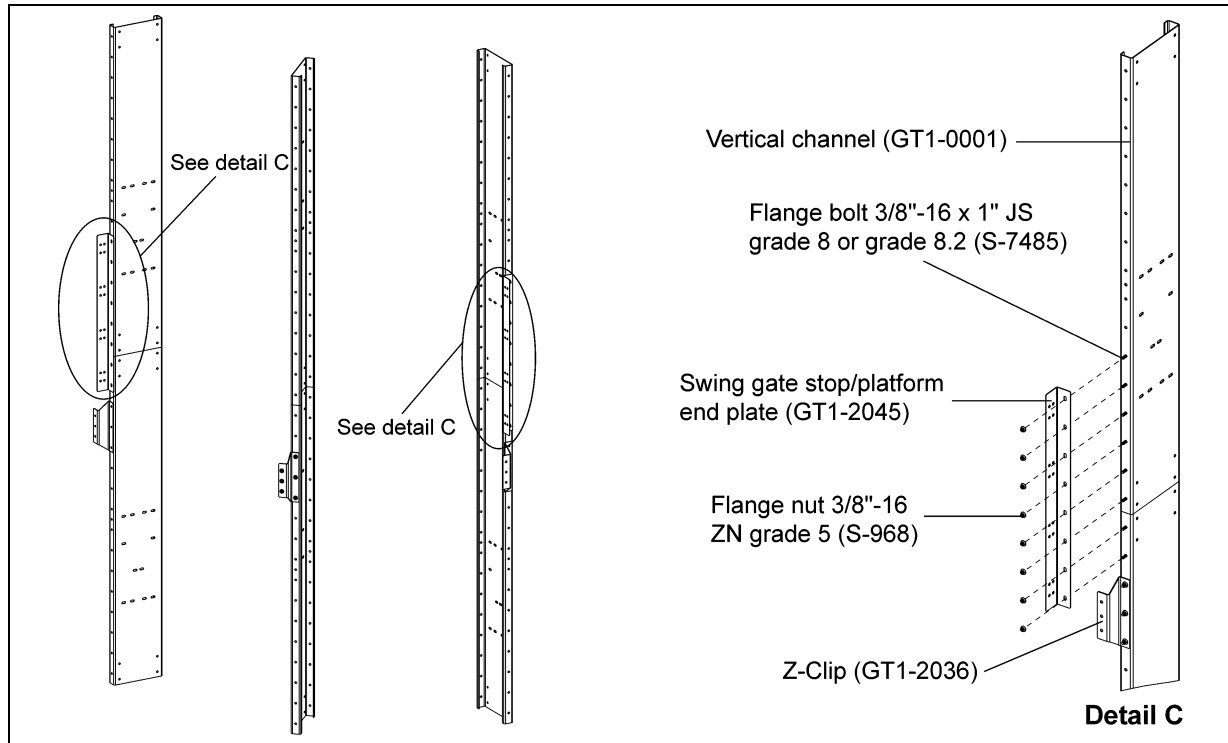


Figure 6E Offset Swing Gate Stop Installation

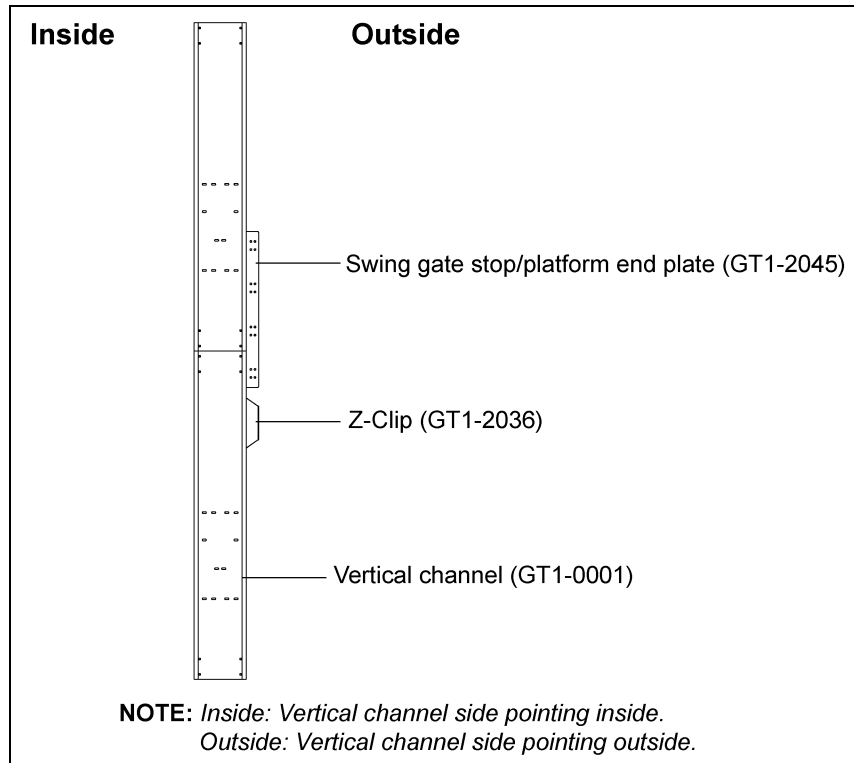


Figure 6F

Installing Catwalk Support Clip (GT1-2040-BS)

1. Install catwalk support clips (GT1-2040-BS) to vertical channels (GT1-0001). Support clip can be installed on each vertical channel as the wall sheets are installed using 3/8"-16 x 1" JS grade 8 or grade 8.2 bolts (S-7485) and 3/8"-16 ZN grade 5 nuts (S-968). (See Figure 6G below and Figure 6I on Page 50.)
2. The distance between the Z-clip and support clip for 18' offset and roof hatch platform is 31-1/2". (See Figure 6H below and Figure 6J on Page 50.)

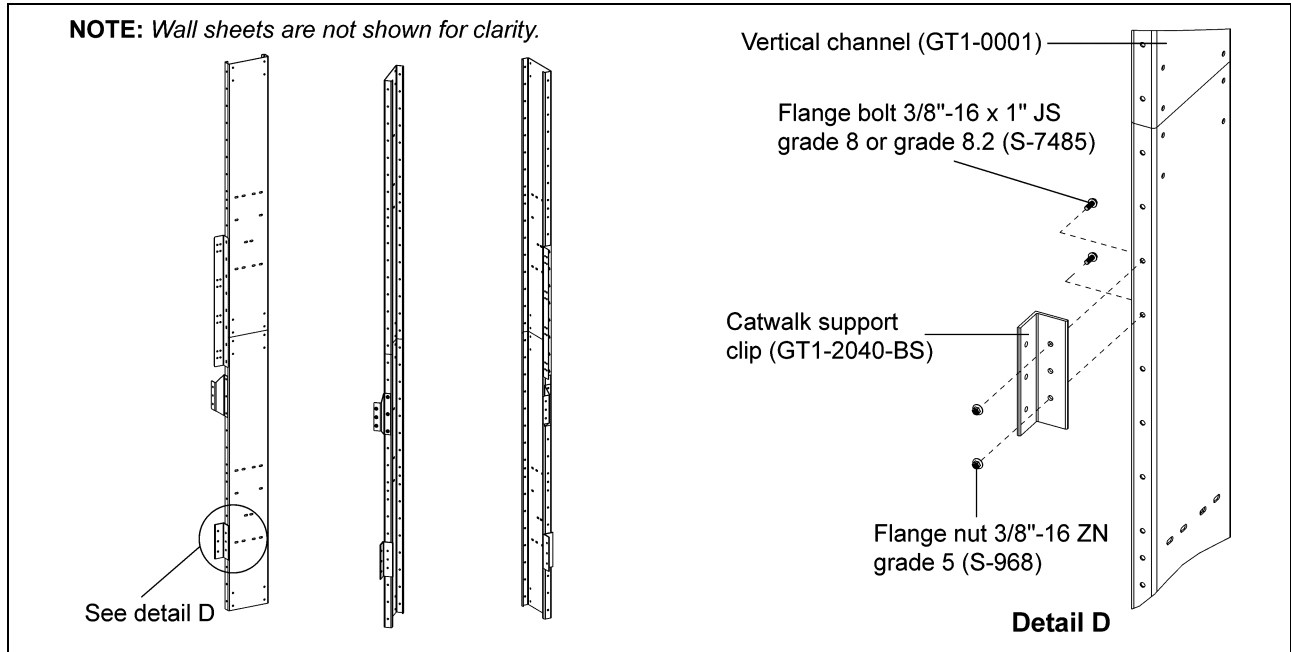


Figure 6G Offset Catwalk Support Clip Installation

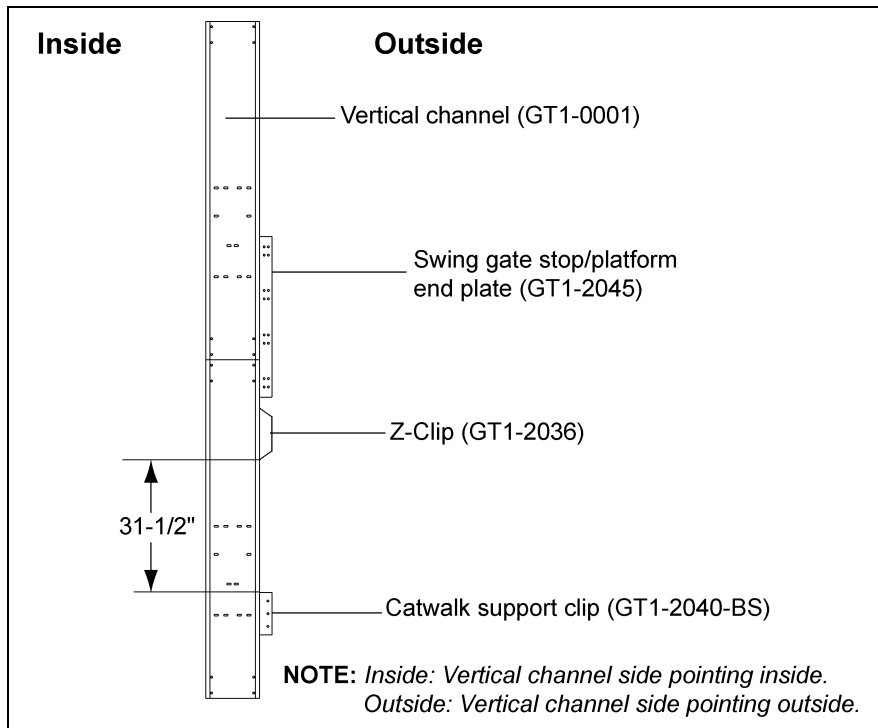


Figure 6H

Installing Catwalk Support Clip (GT1-2040-BS) (Continued)

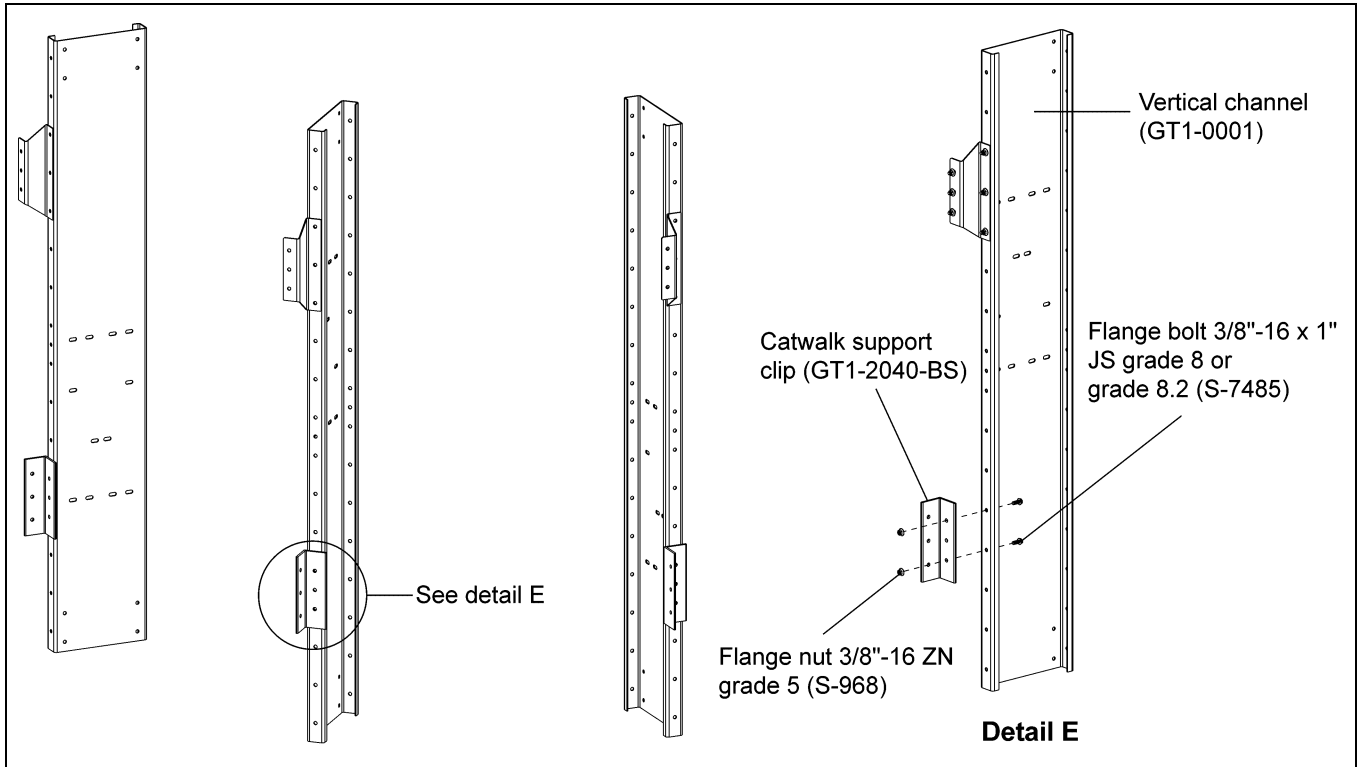


Figure 6I Roof Hatch Catwalk Support Clip Installation

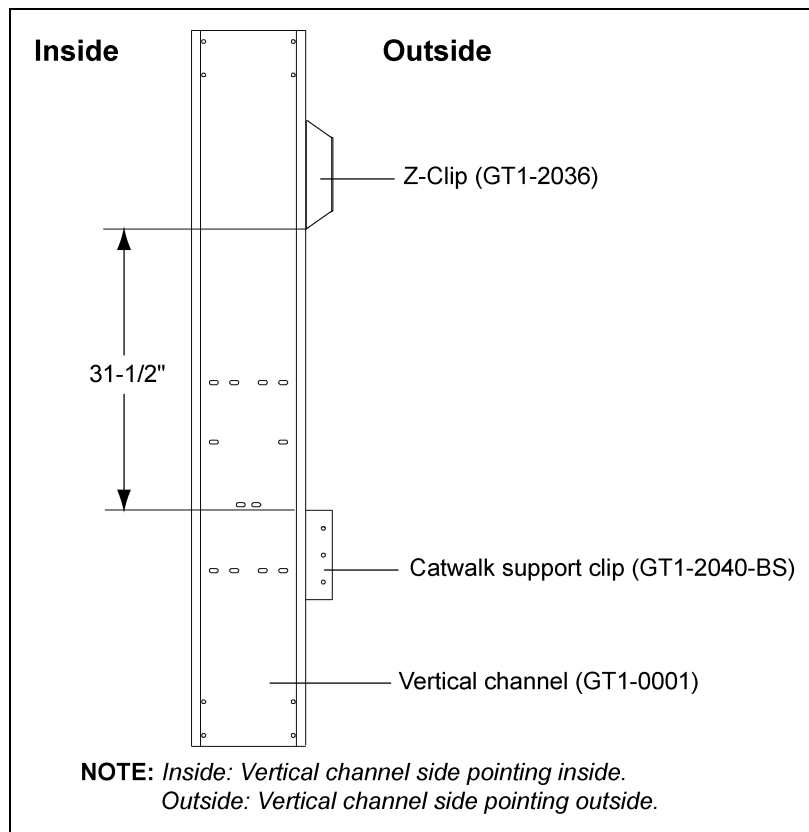


Figure 6J

Installing Inner Toe Board (GT1-2035)

1. Install the inner toe board (GT1-2035) to the Z-clips (GT1-2036). (See Figure 6K.)
2. All the toe boards should be installed between the Z-clips using 3/8"-16 x 1" JS grade 8 or grade 8.2 bolts (S-7485) and 3/8"-16 ZN grade 5 nuts (S-968). (See Figure 6K.)

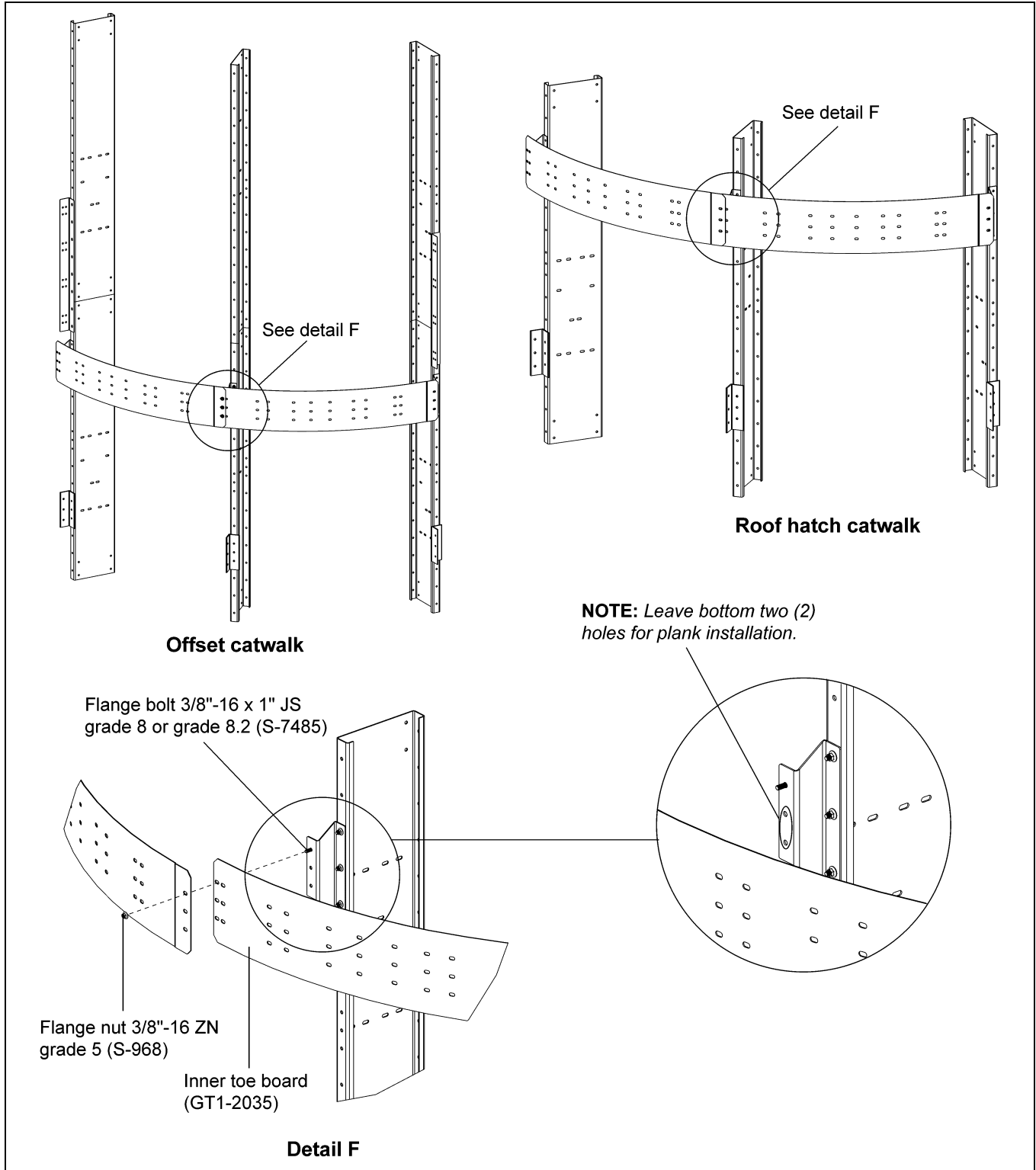


Figure 6K Inner Toe Board Installation for Offset and Roof Hatch Catwalks

6. 18' Offset and Roof Hatch Platform Installation Instructions

Installing Inner Toe Board (GT1-2035) (Continued)

3. Inner toe board is arranged with overlap slots on each side. Install 18' offset and roof hatch inner toe boards (GT1-2035) to corresponding slots as shown in [Figure 6L](#).

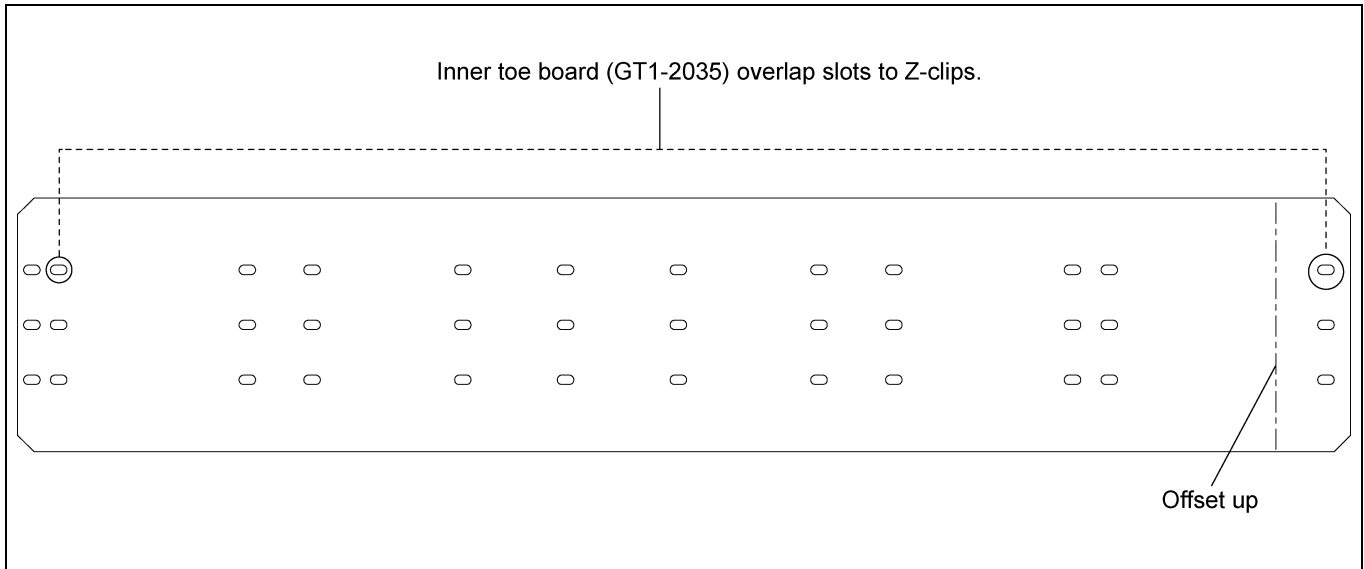


Figure 6L 18' Inner Toe Board (GT1-2035)

Installing Plank (GT1-2033) to Inner Toe Board (GT1-2035)

1. Install planks (GT1-2033) to bottom two (2) holes of the inner toe board (GT1-2035) using 3/8"-16 x 1" JS grade 8 or grade 8.2 bolts (S-7485) and 3/8"-16 ZN grade 5 nuts (S-968). (See Figure 6M.)

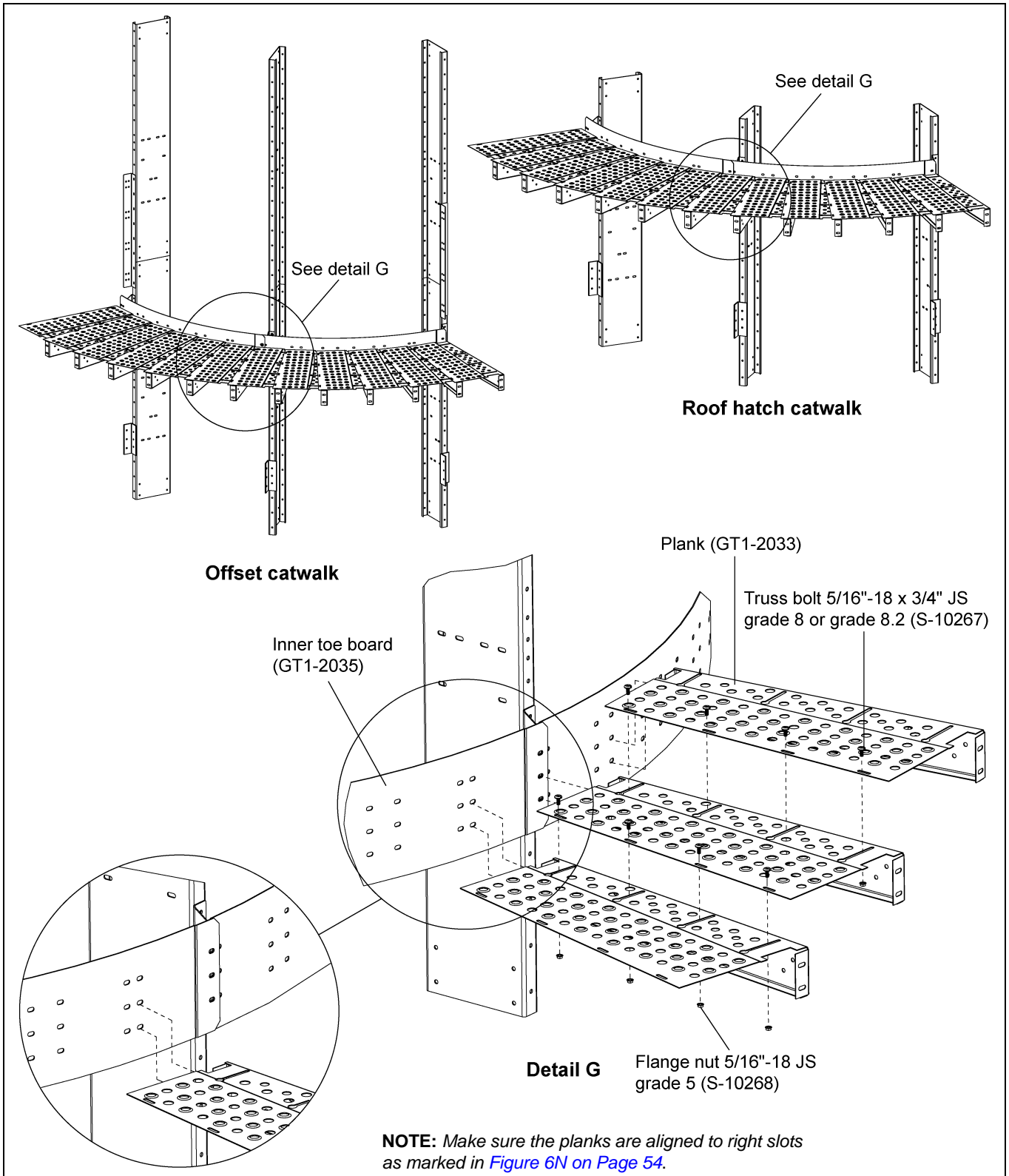


Figure 6M Inner Toe Board (GT1-2035) Plank Installation for Offset and Roof Hatch Catwalks

6. 18' Offset and Roof Hatch Platform Installation Instructions

Installing Plank (GT1-2033) to Inner Toe Board (GT1-2035) (Continued)

2. Inner toe board (GT1-2035) is arranged with many slots to install plank. Install offset and roof hatch planks to corresponding slots as shown in *Figure 6N*.

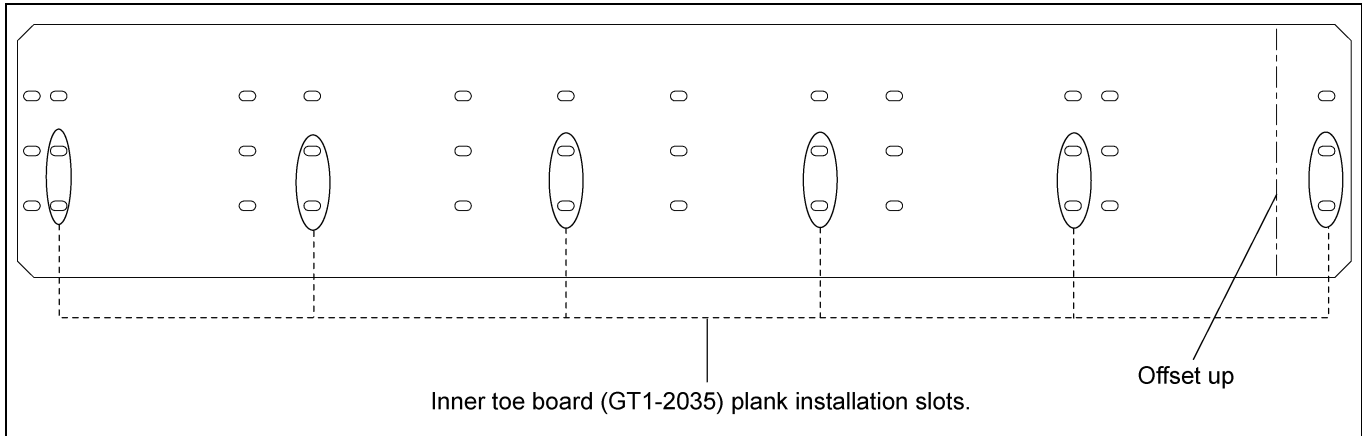


Figure 6N 18' Inner Toe Board (GT1-2035)

3. Install all the planks (GT1-2033) continuously around the dryer except at the jack pole locations.
(See *Figure 6O*.)

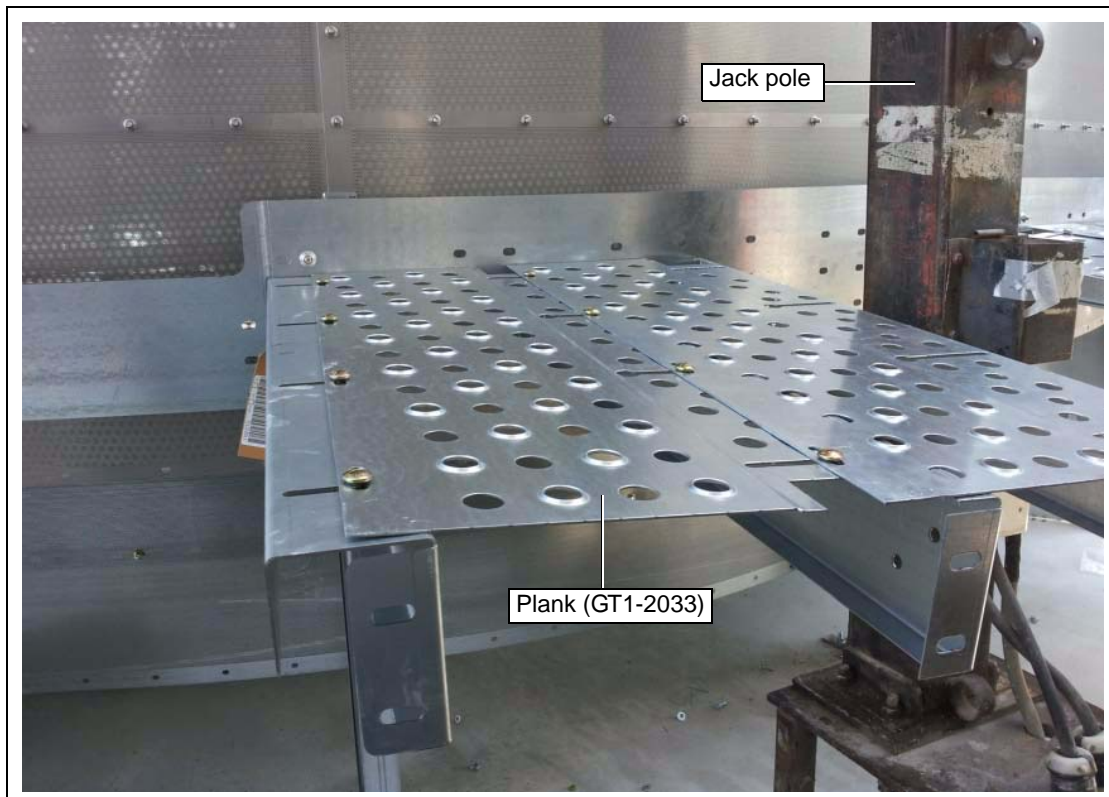


Figure 6O

Installing Plank (GT1-2033) to Inner Toe Board (GT1-2035) (Continued)

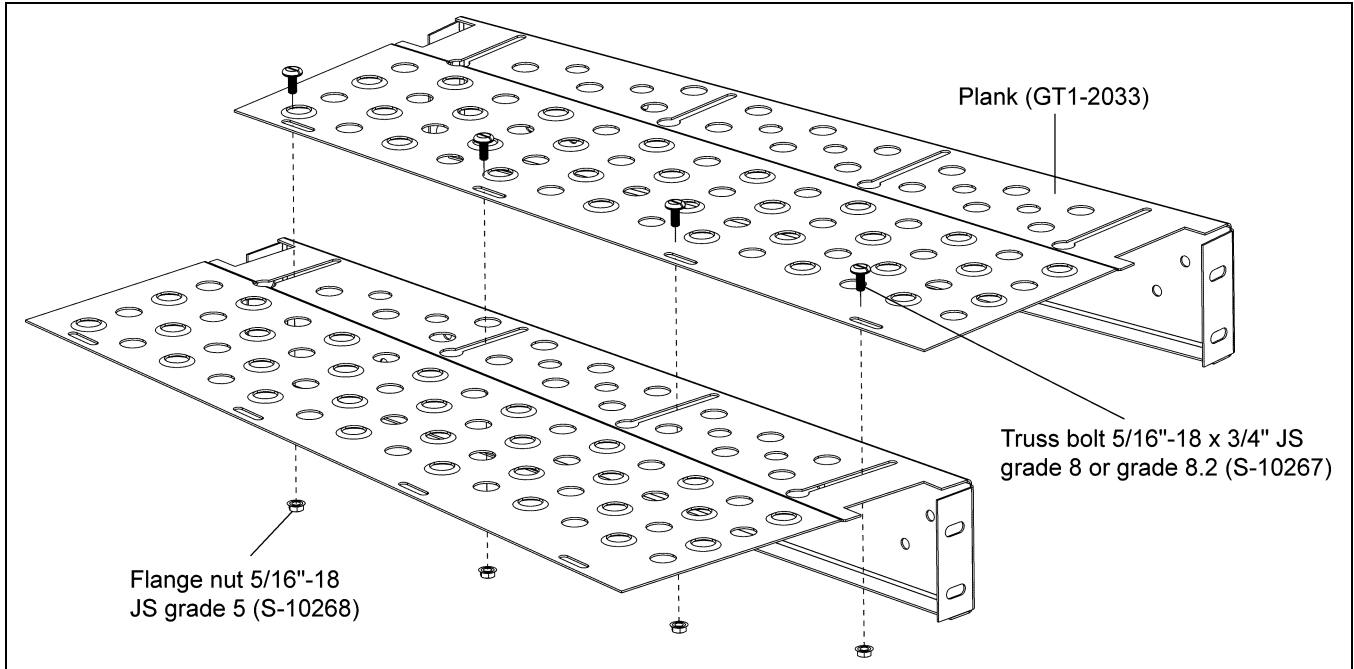


Figure 6P

4. Each plank should be overlapped at the edges and bolted with 5/16"-18 x 3/4" JS grade 8 or grade 8.2 bolts (S-10267) and 5/16"-18 x 3/4" JS grade 5 nuts (S-10268). (See Figure 6Q.)

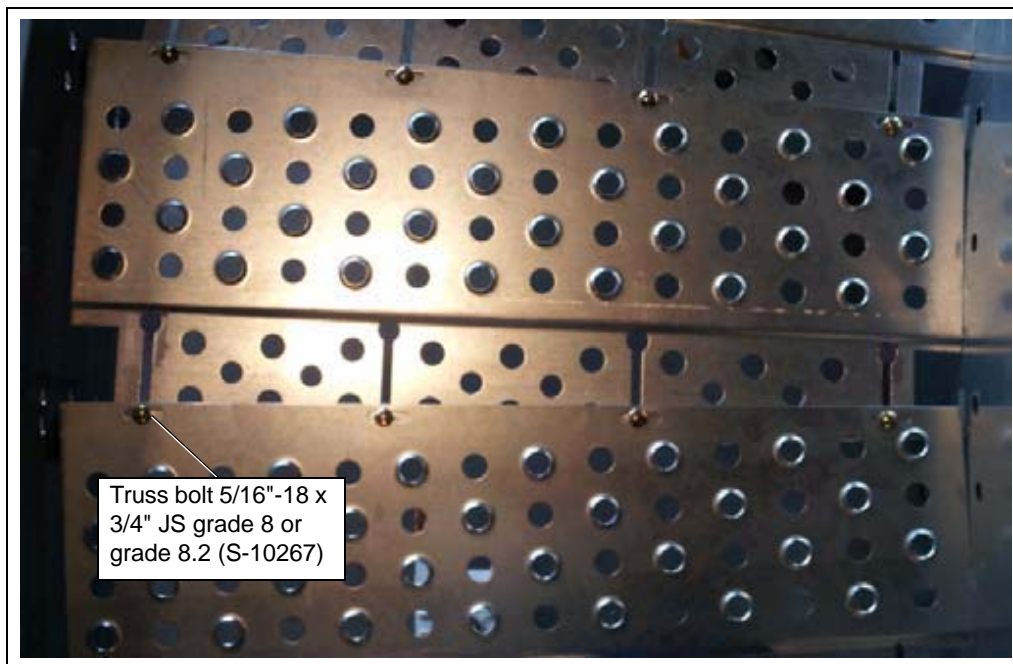


Figure 6Q

6. 18' Offset and Roof Hatch Platform Installation Instructions

Installing Plank Support (GT1-2086)

1. Once the planks are installed, install the plank support (GT1-2086) at the catwalk closing end using 5/16"-18 x 3/4" JS grade 8 or grade 8.2 bolts (S-10267) and 5/16"-18 JS grade 5 nuts (S-10268). (See Figure 6R.)

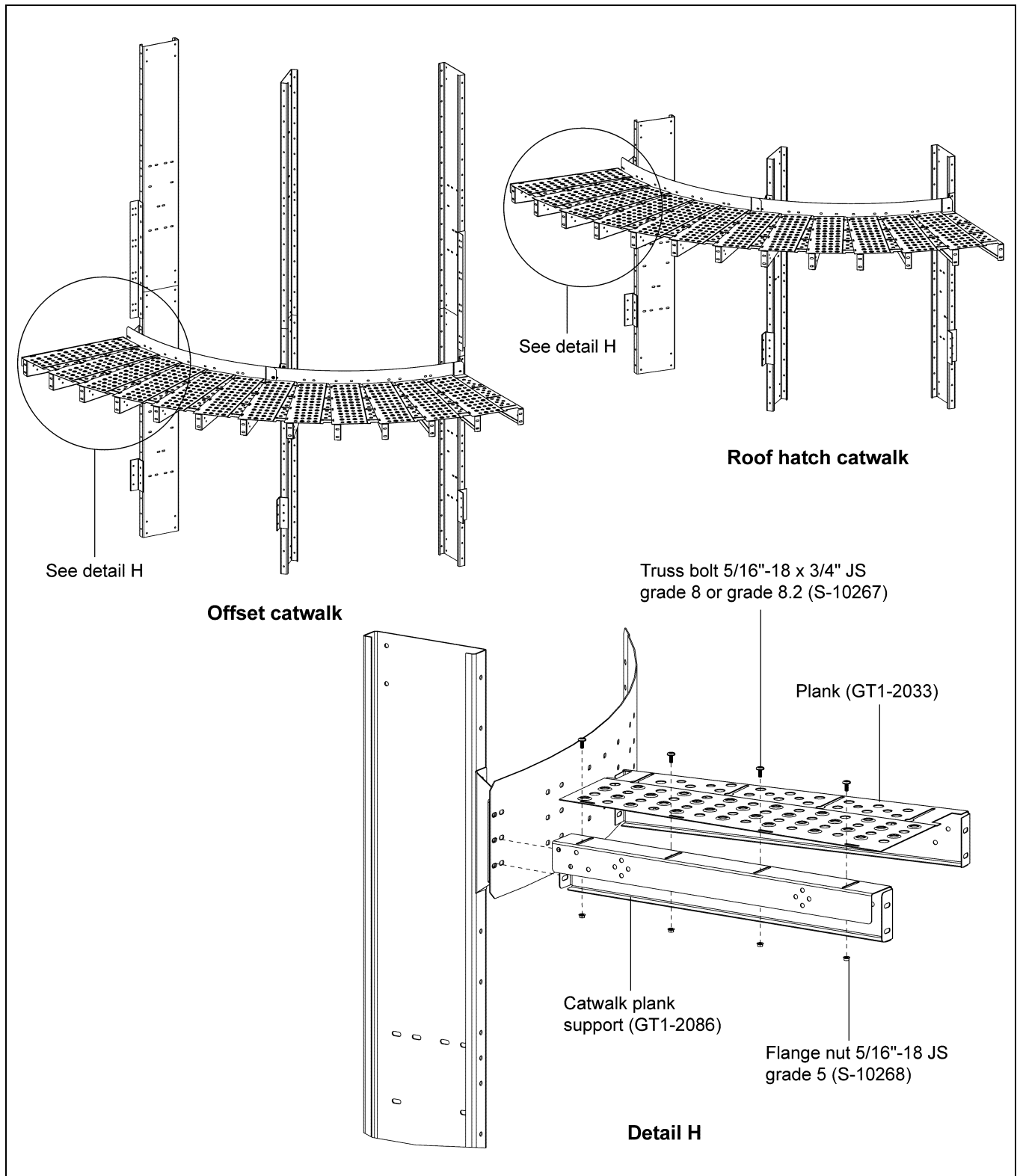


Figure 6R Plank Support (GT1-2086) Installation for Offset and Roof Hatch Catwalks

Installing Knee Support (GT1-2039-BS)

1. Install the knee support (GT1-2039-BS) around the dryer between the catwalk support clips (GT1-2040-BS) and the planks (GT1-2033) using 3/8"-16 x 1" JS grade 8 or grade 8.2 bolts (S-7485) and 3/8"-16 ZN grade 5 nuts (S-968). (See Figure 6S.)

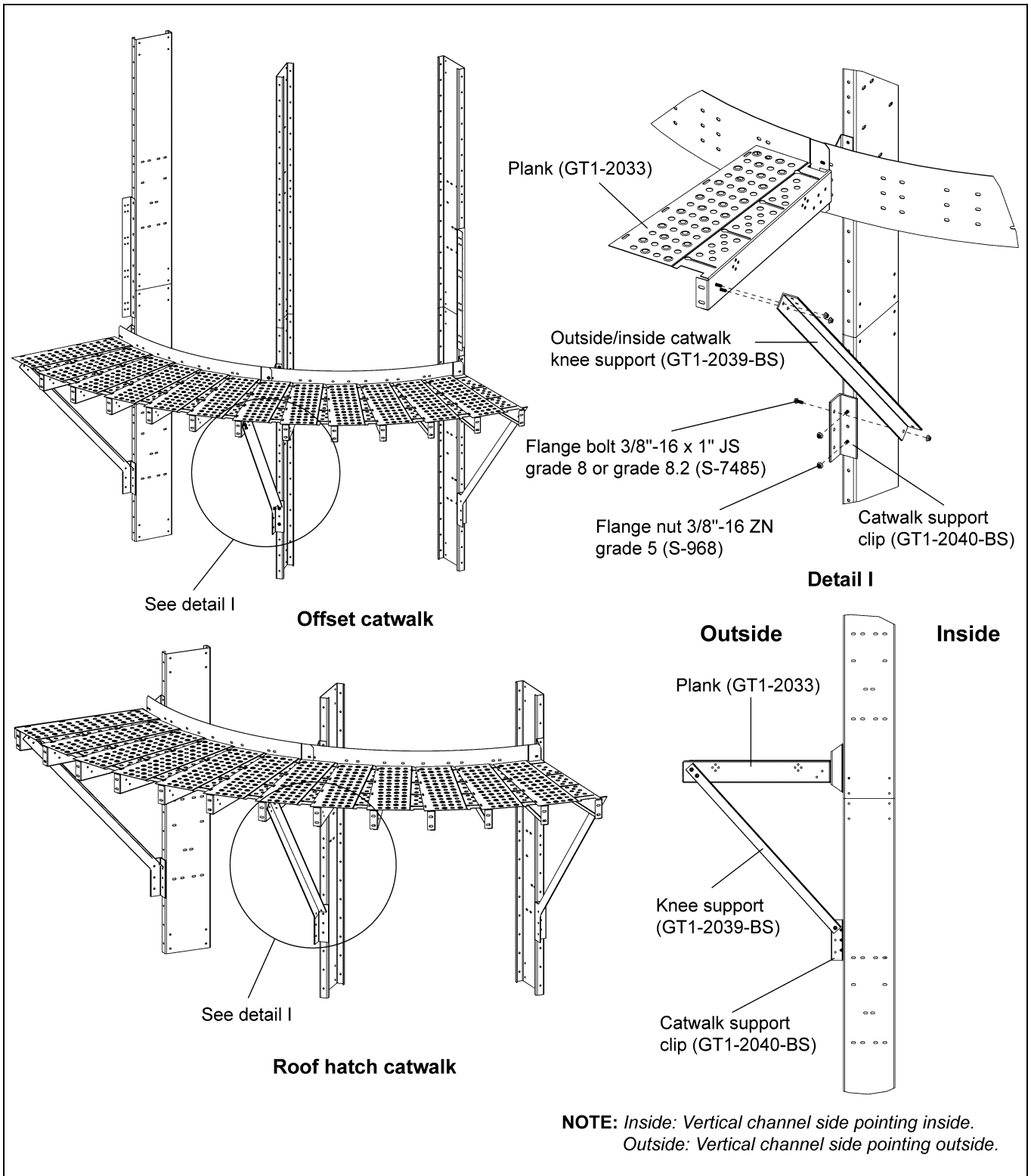


Figure 6S Knee Support (GT1-2039-BS) Installation for Offset and Roof Hatch Catwalks

6. 18' Offset and Roof Hatch Platform Installation Instructions

Installing Outer Toe Board (GT1-2034) and Catwalk Vertical Support (GT1-2037-BS)

1. Install all the outer toe boards (GT1-2034) to the planks (GT1-2033). (See Figure 6T.)
2. When installing the outer toe board with planks, install the catwalk vertical support (GT1-2037-BS) simultaneously at proper locations using 3/8"-16 x 1" JS grade 8 or grade 8.2 bolts (S-7485) and 3/8"-16 ZN grade 5 nuts (S-968). (See Figure 6T.)

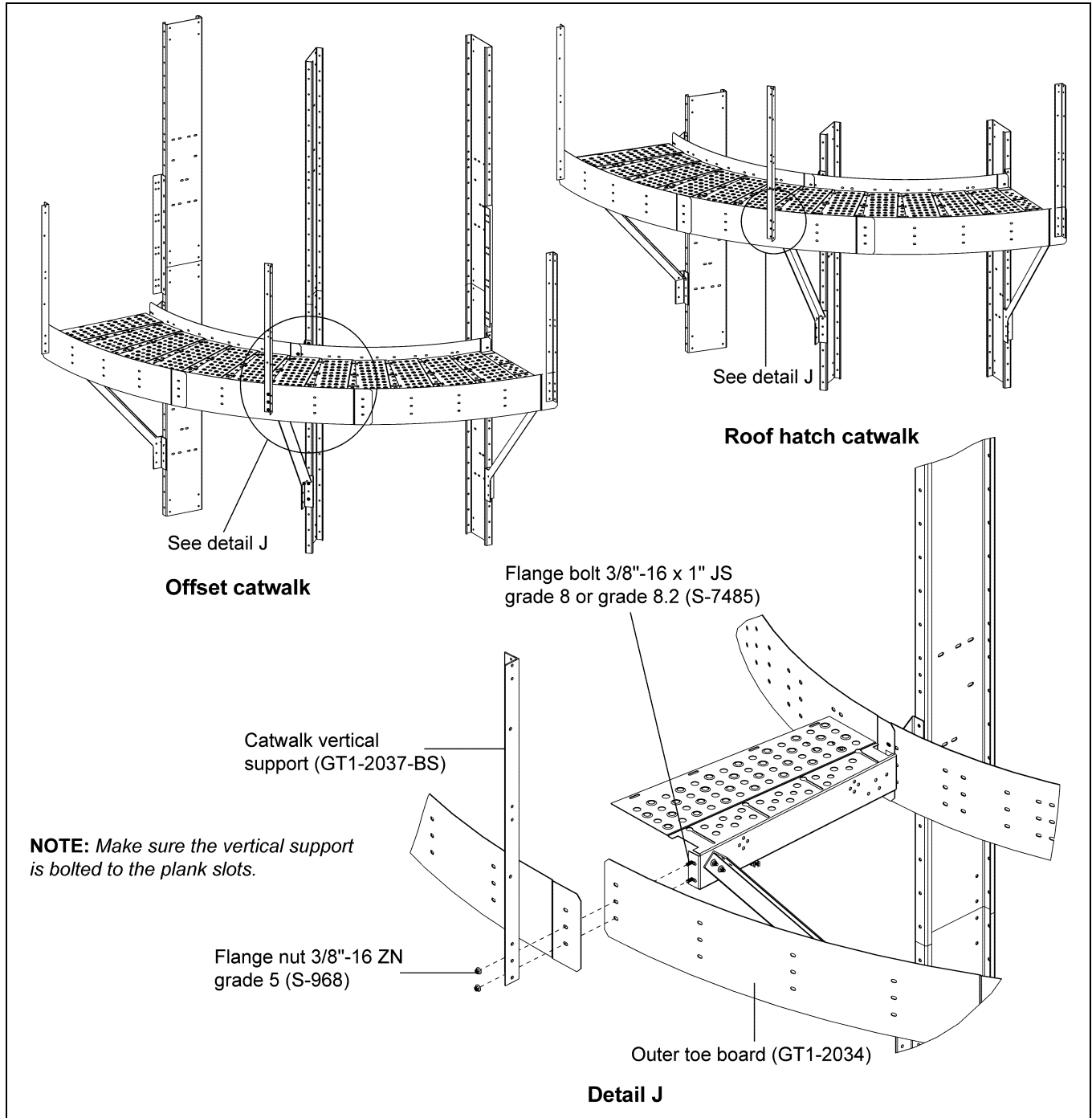


Figure 6T Outer Toe Board (GT1-2034) and Vertical Support (GT1-2037-BS)
Installation for Offset and Roof Hatch Catwalks

Installing Long Handrails (GT1-2038-180)

1. Install the long handrail (GT1-2038-180) to the catwalk vertical support (GT1-2037-BS) using 5/16"-18 ZN U-bolts (S-10171) and 5/16"-18 JS grade 5 nuts (S-10268) to tighten the handrail with vertical post. (See Figure 6U.)
2. Use the self-tapping screw SDS #10-16 x 3/4" HWH ZN grade 2 (S-7466) at all handrail pipe joints. (See Figure 6U.)

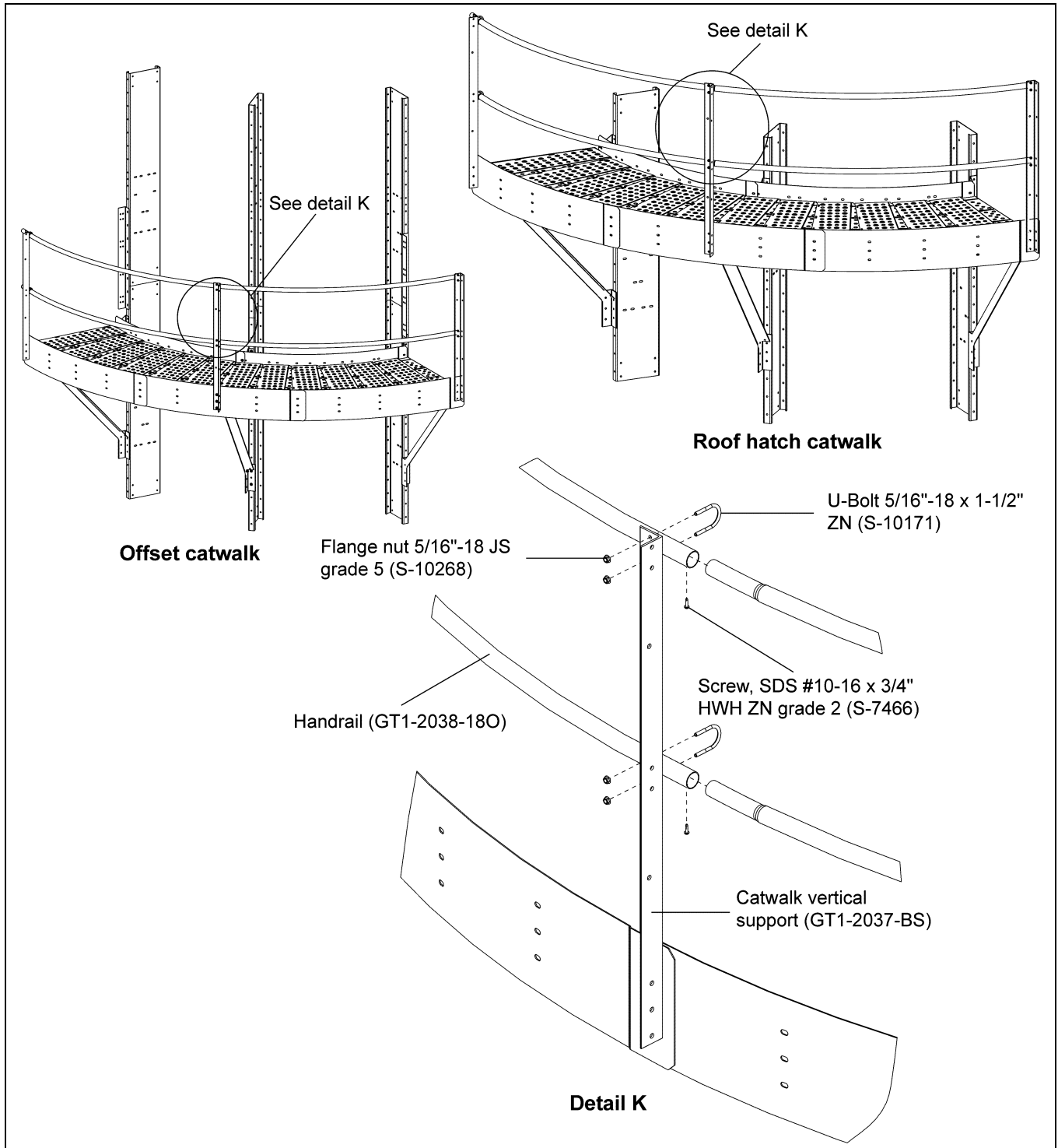


Figure 6U Handrail (GT1-2038-180) Installation for Offset and Roof Hatch Catwalks

6. 18' Offset and Roof Hatch Platform Installation Instructions

Installing Long Handrails (GT1-2038) (Continued)

3. Install the platform end handrail (GT1-2044) to the catwalk vertical support (GT1-2037-BS) and the platform end plate (GT1-2045). (See Figure 6V below and Figure 6W on Page 61.)

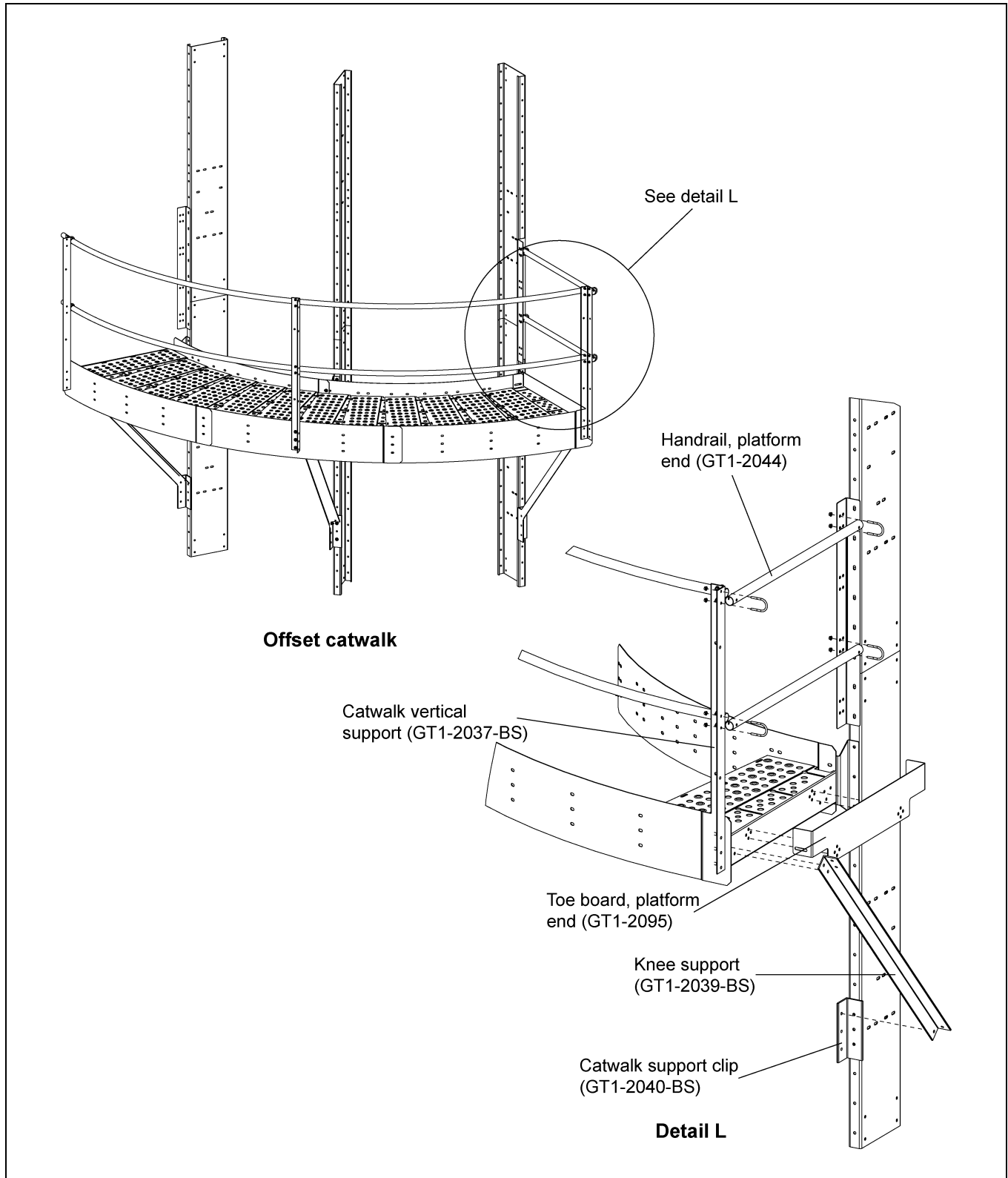


Figure 6V Offset Platform End Handrail (GT1-2044) Installation

Installing Long Handrails (GT1-2038) (Continued)

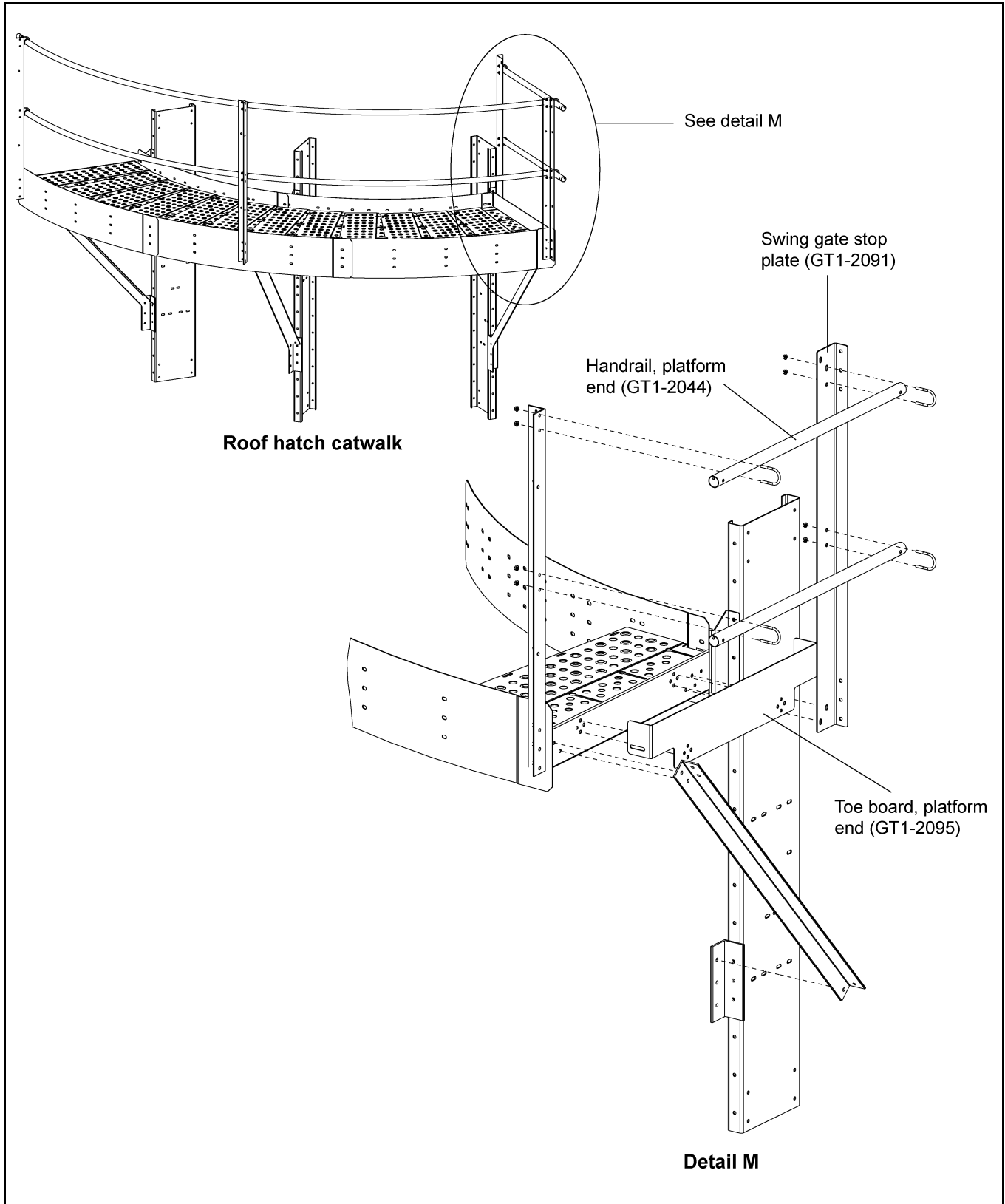


Figure 6W Roof Hatch Platform End Handrail (GT1-2044) Installation

6. 18' Offset and Roof Hatch Platform Installation Instructions

Installing Safety Gate (GT4-1455) with Plank Support (GT1-2086)

1. Install the swing gate support (GT1-2087) with the plank support (GT1-2086).
2. Install two (2) catwalk handrails (GT1-0920) between the swing gate support (GT1-2087) and catwalk vertical support (GT1-2037-BS). (See Figure 6X.)

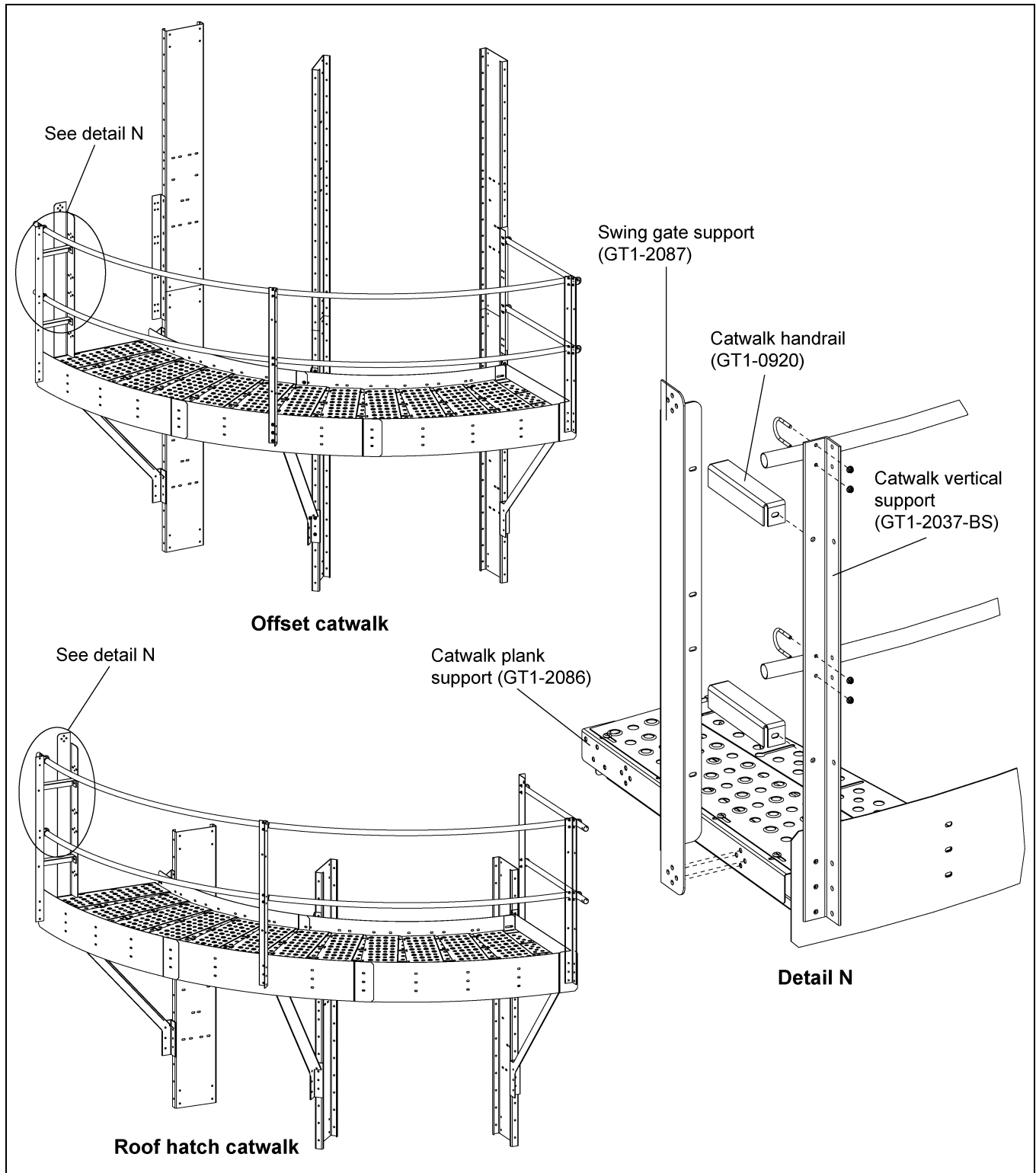


Figure 6X Installing Safety Gate (GT4-1455) to Offset and Roof Hatch Catwalks

Installing Safety Gate with Plank Support (Continued)

3. Install the ladder safety gate assembly (GT4-1455) to the swing gate support (GT1-2087) using 3/8"-16 x 1" JS grade 8 or grade 8.2 bolts (S-7485) and 3/8"-16 ZN grade 5 nuts (S-968). The distance between the plank and handrail is 42". (See Figure 6Y below and Figure 6Z on Page 64.)

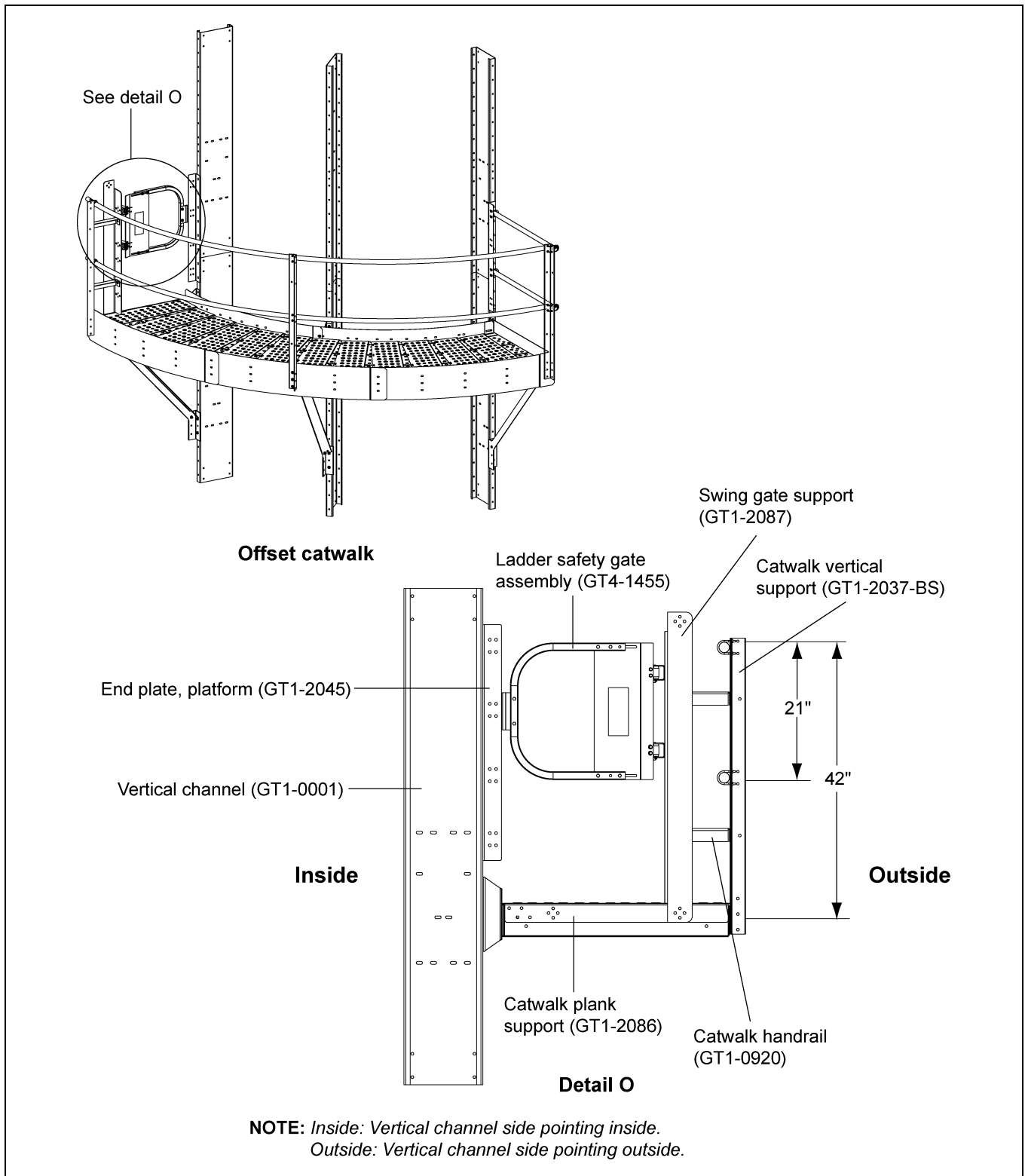


Figure 6Y Offset Ladder Safety Gate Assembly to Swing Gate Support (GT1-2087)

Installing Safety Gate with Plank Support (Continued)

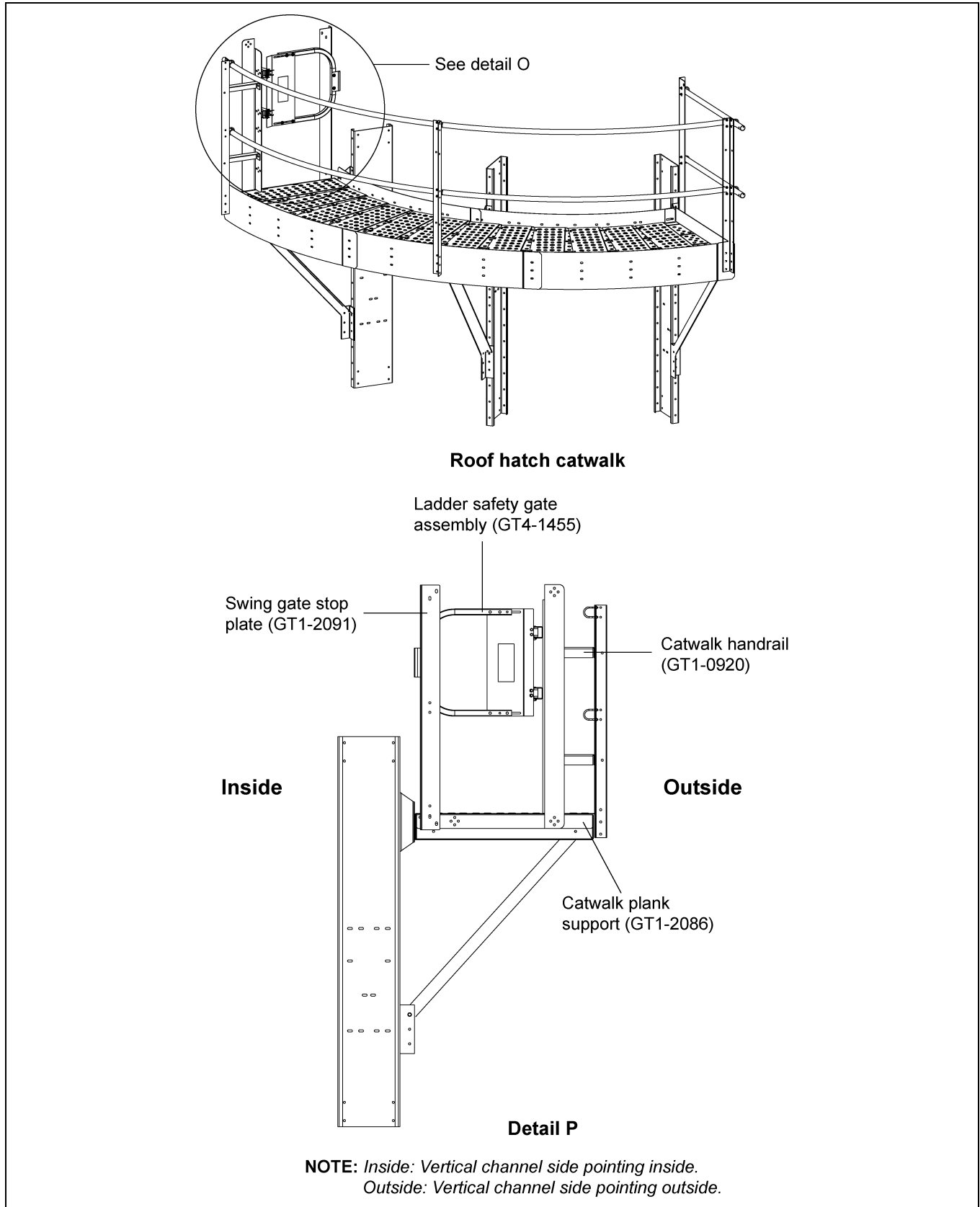
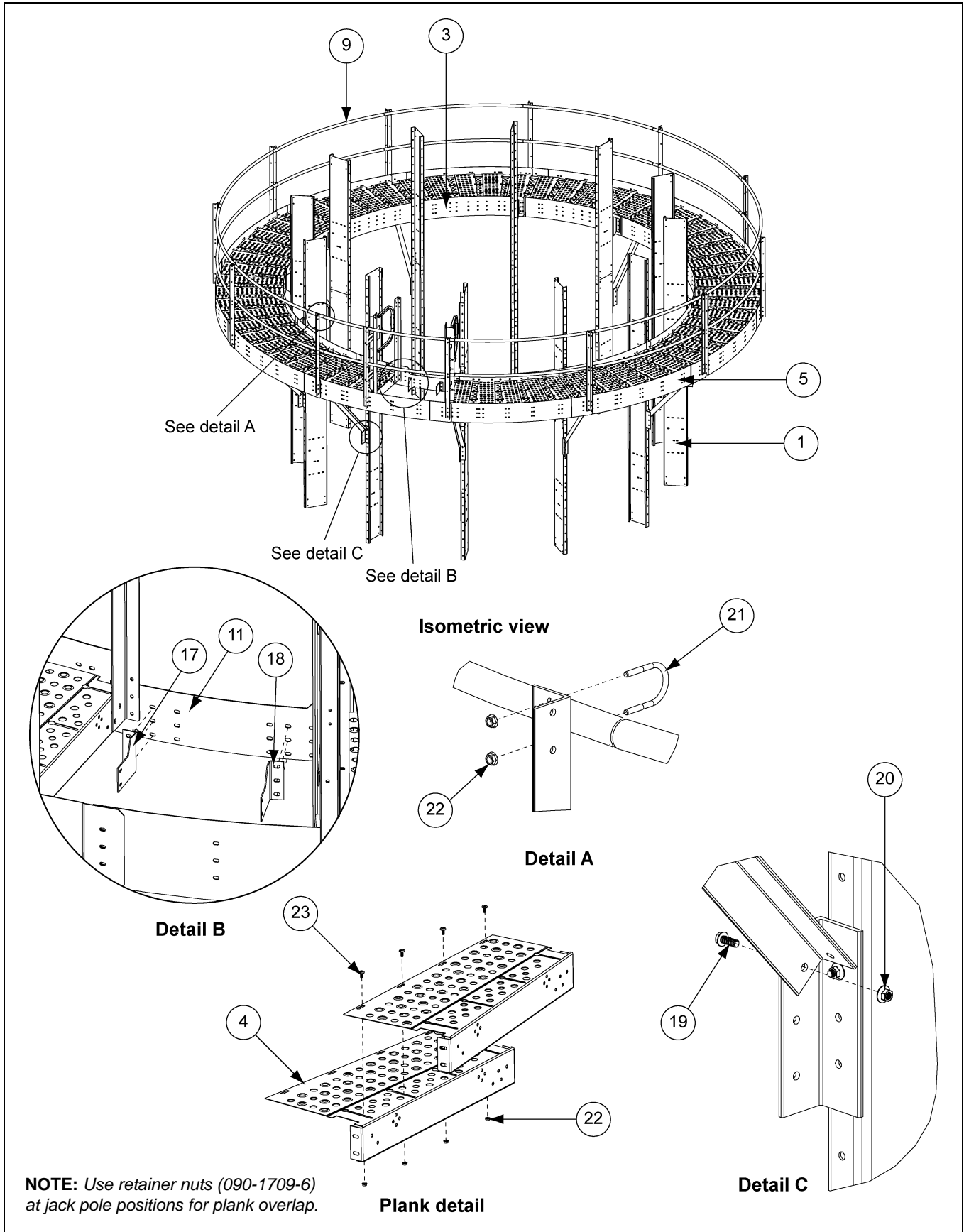


Figure 6Z Roof Hatch Ladder Safety Gate Assembly to Swing Gate Stop Plate (GT1-2091)

1. 18' Outside Fan Style Catwalk (GT4-1039-18F) - [\(See Pages 66-69.\)](#)
2. 18' Inside Fan Style Catwalk (GT4-1043-18F) - [\(See Pages 70-73.\)](#)
3. 18' Offset Fan Style Platform (GT4-1047-18F) - [\(See Pages 74-77.\)](#)
4. 18' Roof Hatch Fan Style Platform (GT4-1051-18F) - [\(See Pages 78-81.\)](#)

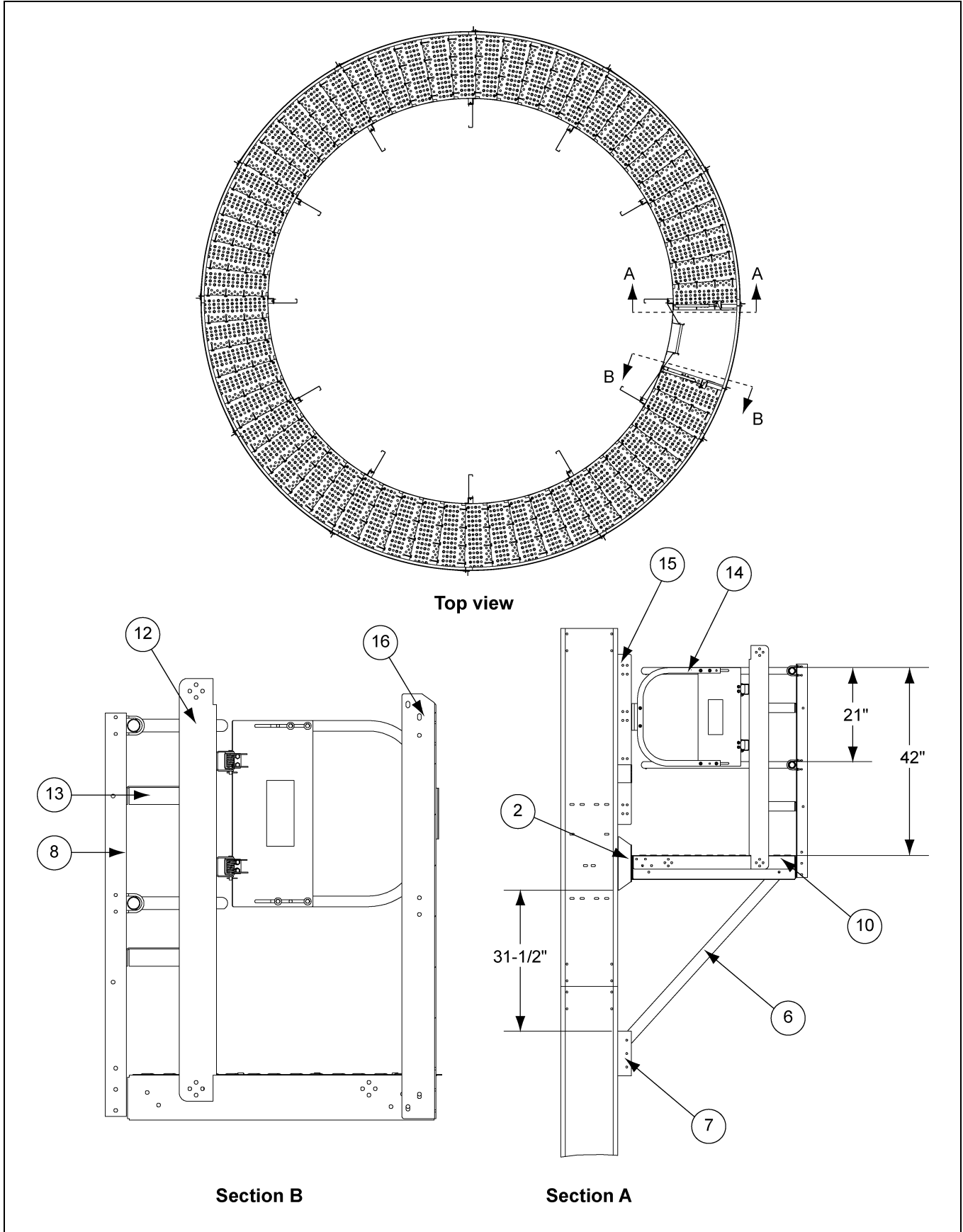
18' Outside Fan Style Catwalk (GT4-1039-18F)



18' Outside Fan Style Catwalk (GT4-1039-18F) Parts List

Ref #	Part #	Description	Qty
1	GT1-0001	Vertical Channel	24
2	GT1-2036	Catwalk/Platform to Dryer Wall Bracket	12
3	GT1-2035	Inner Toe Board	11
4	GT1-2033	Plank	57
5	GT1-2034	Outer Toe Board	12
6	GT1-2039-BS	Outside/Inside Catwalk Diagonal Support - Bin Silver	12
7	GT1-2040-BS	Catwalk Support Clip - Bin Silver	12
8	GT1-2037-BS	Catwalk Vertical Support - Bin Silver	13
9	GT1-2038-18O	18' Outside Catwalk/Platform Handrail	20
10	GT1-2086	Catwalk Plank Support	1
11	GT4-1465	Ladder Opening Inner Toe Board	1
12	GT1-2087	Swing Gate Support	2
13	GT1-0920	Catwalk End Handrail	4
14	GT4-1455	Ladder Safety Gate	2
15	GT1-2045	Platform End Plate	1
16	GT1-2091	Swing Gate Stop Plate	1
17	GT1-2447-L	Ladder to Toe Board Bracket - L.H.	1
18	GT1-2447-R	Ladder to Toe Board Bracket - R.H.	1
19	S-7485	Flange Bolt 3/8"-16 x 1" JS Grade 8 or Grade 8.2	466
20	S-968	Flange Nut 3/8"-16 ZN Grade 5 Wide Flange	466
21	S-10171	Bolt, U-Bolt 5/16"-18 for 1-1/4" Pipe ZN	30
22	S-10268	Flange Nut 5/16"-18 JS Grade 5	282
23	S-10267	Truss Bolt 5/16"-18 x 3/4" JS Grade 8 or Grade 8.2	250
N/S	090-1709-6	Retainer Nut 5/16"-18 x 0.120" ZN	79
N/S	GT1-2144	Holding Plate, Inner Toe Board to Plank	40
N/S	S-10175	Extruded Nut 3/8"-16, Tapped Hole, 050-0.200 Panel Range, Black	80

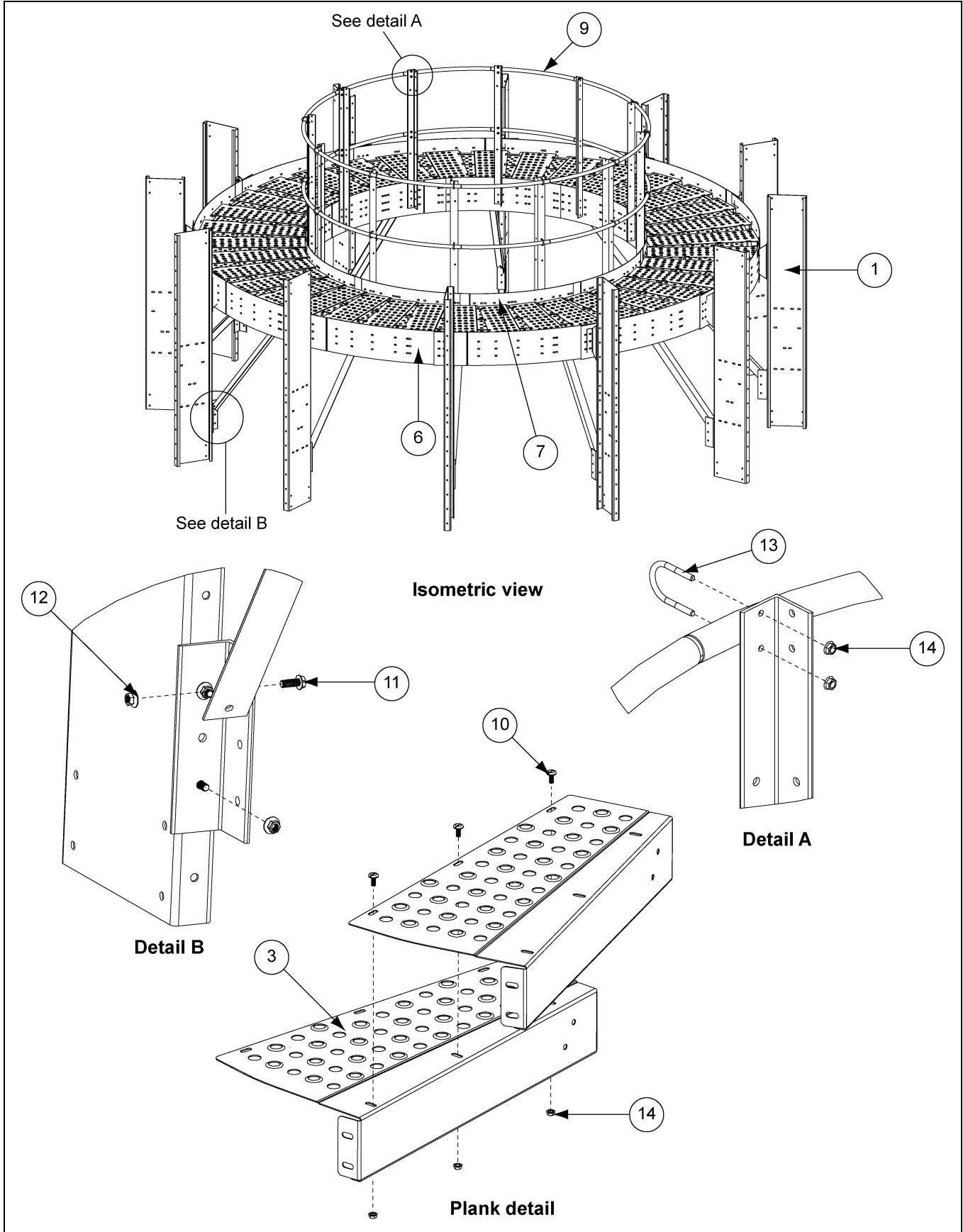
18' Outside Fan Style Catwalk (GT4-1039-18F) (Continued)



18' Outside Fan Style Catwalk (GT4-1039-18F) Parts List

Ref #	Part #	Description	Qty
1	GT1-0001	Vertical Channel	24
2	GT1-2036	Catwalk/Platform to Dryer Wall Bracket	12
3	GT1-2035	Inner Toe Board	11
4	GT1-2033	Plank	57
5	GT1-2034	Outer Toe Board	12
6	GT1-2039-BS	Outside/Inside Catwalk Diagonal Support - Bin Silver	12
7	GT1-2040-BS	Catwalk Support Clip - Bin Silver	12
8	GT1-2037-BS	Catwalk Vertical Support - Bin Silver	13
9	GT1-2038-18O	18' Outside Catwalk/Platform Handrail	20
10	GT1-2086	Catwalk Plank Support	1
11	GT4-1465	Ladder Opening Inner Toe Board	1
12	GT1-2087	Swing Gate Support	2
13	GT1-0920	Catwalk End Handrail	4
14	GT4-1455	Ladder Safety Gate	2
15	GT1-2045	Platform End Plate	1
16	GT1-2091	Swing Gate Stop Plate	1
17	GT1-2447-L	Ladder to Toe Board Bracket - L.H.	1
18	GT1-2447-R	Ladder to Toe Board Bracket - R.H.	1
19	S-7485	Flange Bolt 3/8"-16 x 1" JS Grade 8 or Grade 8.2	466
20	S-968	Flange Nut 3/8"-16 ZN Grade 5 Wide Flange	466
21	S-10171	Bolt, U-Bolt 5/16"-18 for 1-1/4" Pipe ZN	30
22	S-10268	Flange Nut 5/16"-18 JS Grade 5	282
23	S-10267	Truss Bolt 5/16"-18 x 3/4" JS Grade 8 or Grade 8.2	250
N/S	090-1709-6	Retainer Nut 5/16"-18 x 0.120" ZN	79
N/S	GT1-2144	Holding Plate, Inner Toe Board to Plank	40
N/S	S-10175	Extruded Nut 3/8"-16, Tapped Hole, 050-0.200 Panel Range, Black	80

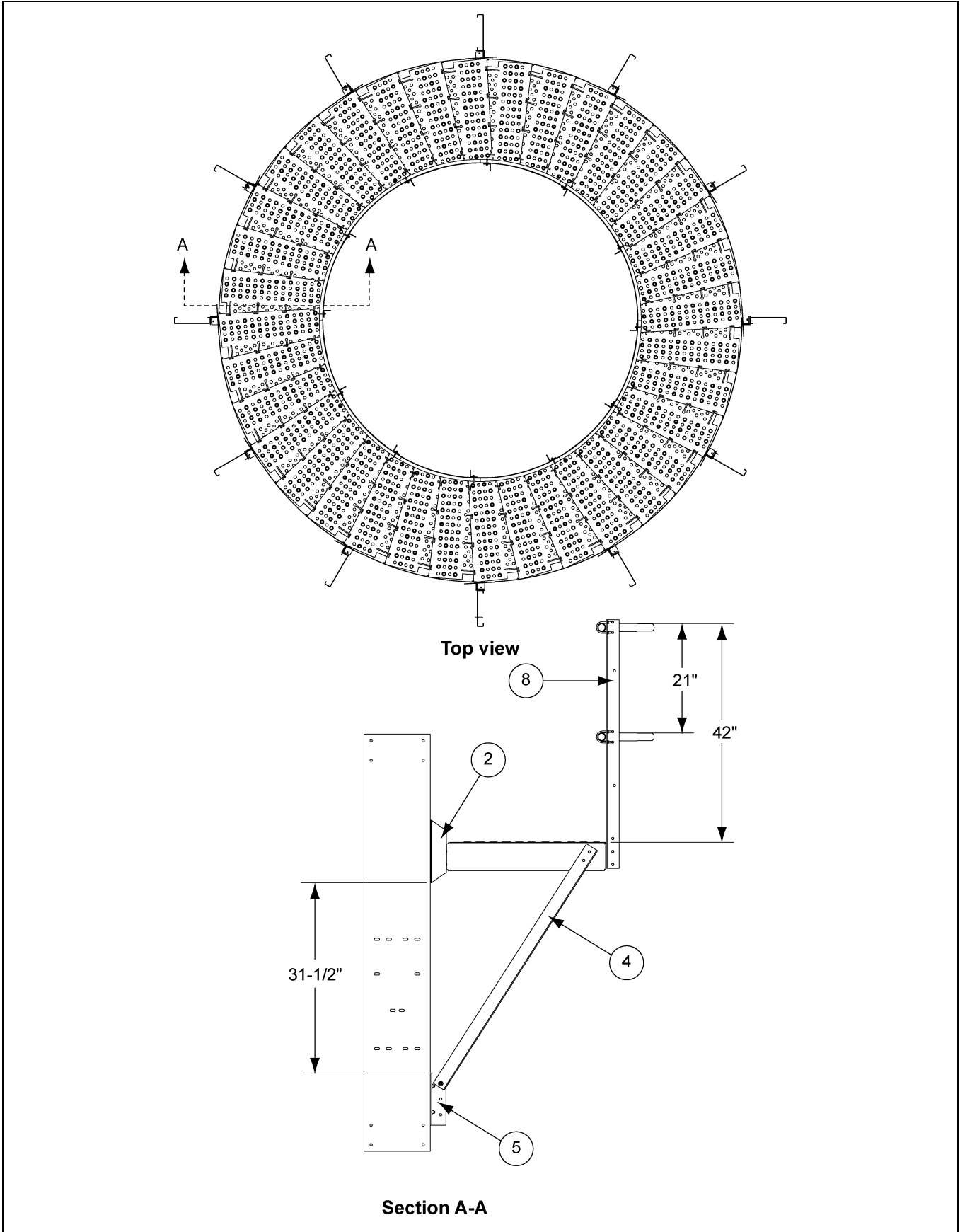
18' Inside Fan Style Catwalk (GT4-1043-18F)



18' Inside Fan Style Catwalk (GT4-1043-18F) Parts List

Ref #	Part #	Description	Qty
1	GT1-0001	Vertical Channel	12
2	GT1-2036	Catwalk/Platform to Dryer Wall Bracket	12
3	GT1-2033	Plank	36
4	GT1-2039-BS	Outside/Inside Catwalk Diagonal Support - Bin Silver	12
5	GT1-2040-BS	Catwalk Support Clip - Bin Silver	12
6	GT1-2062	Outer Toe Board	12
7	GT1-2061	Inner Toe Board	9
8	GT1-2037-BS	Catwalk Vertical Support - Bin Silver	12
9	GT1-2038-18l	18' Inside Catwalk Handrail	8
10	S-10267	Truss Bolt 5/16"-18 x 3/4" JS Grade 8 or Grade 8.2	160
11	S-7485	Flange Bolt 3/8"-16 x 1" JS Grade 8 or Grade 8.2	290
12	S-968	Flange Nut 3/8"-16 ZN Grade 5 Wide Flange	290
13	S-10171	Bolt, U-Bolt 5/16"-18 for 1-1/4" Pipe ZN	28
14	S-10268	Flange Nut 5/16"-18 JS Grade 5	210

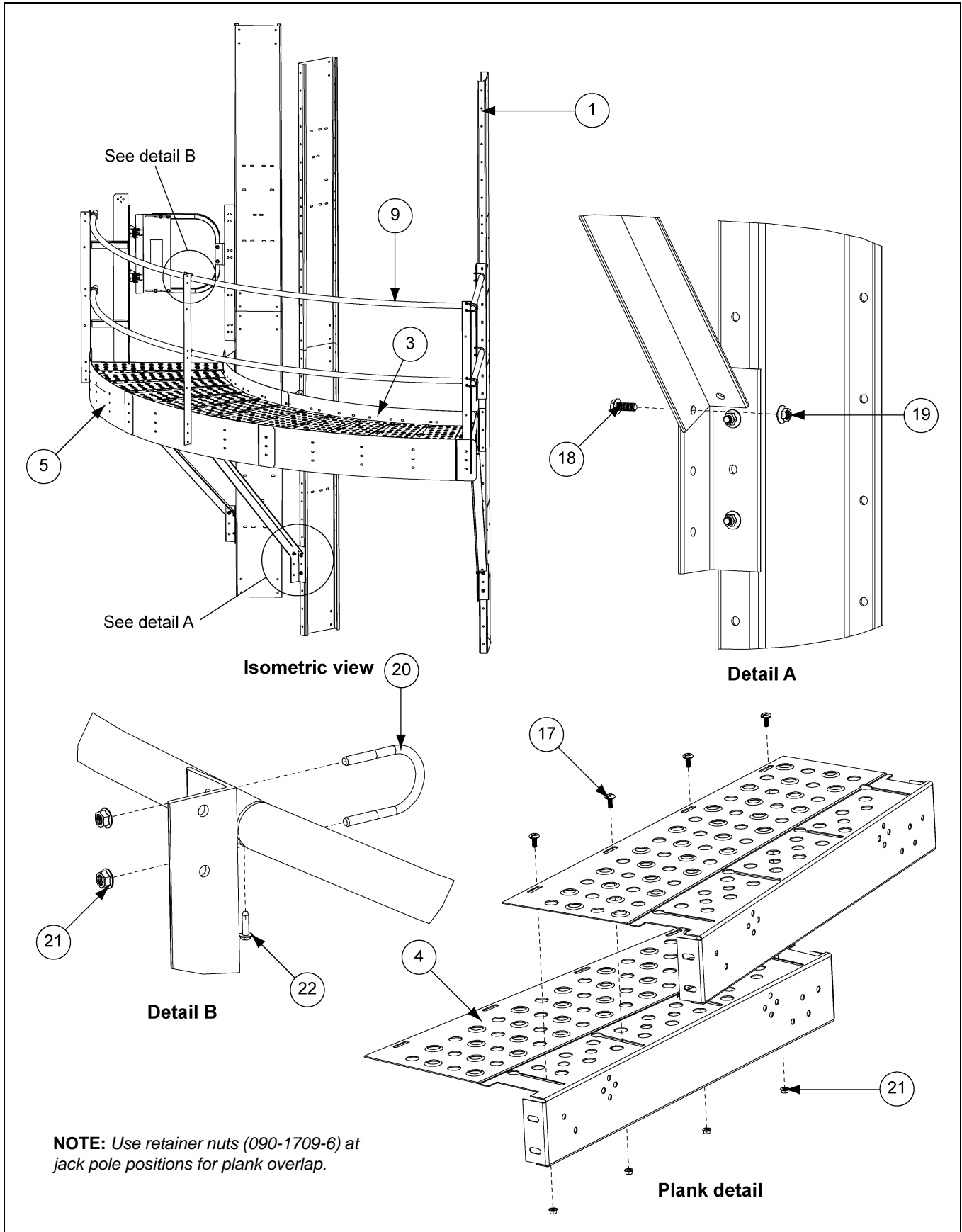
18' Inside Fan Style Catwalk (GT4-1043-18F) (Continued)



18' Inside Fan Style Catwalk (GT4-1043-18F) Parts List

Ref #	Part #	Description	Qty
1	GT1-0001	Vertical Channel	12
2	GT1-2036	Catwalk/Platform to Dryer Wall Bracket	12
3	GT1-2033	Plank	36
4	GT1-2039-BS	Outside/Inside Catwalk Diagonal Support - Bin Silver	12
5	GT1-2040-BS	Catwalk Support Clip - Bin Silver	12
6	GT1-2062	Outer Toe Board	12
7	GT1-2061	Inner Toe Board	9
8	GT1-2037-BS	Catwalk Vertical Support - Bin Silver	12
9	GT1-2038-18l	18' Inside Catwalk Handrail	12
10	S-10267	Truss Bolt 5/16"-18 x 3/4" JS Grade 8 or Grade 8.2	160
11	S-7485	Flange Bolt 3/8"-16 x 1" JS Grade 8 or Grade 8.2	290
12	S-968	Flange Nut 3/8"-16 ZN Grade 5 Wide Flange	290
13	S-10171	Bolt, U-Bolt 5/16"-18 for 1-1/4" Pipe ZN	28
14	S-10268	Flange Nut 5/16"-18 JS Grade 5	210

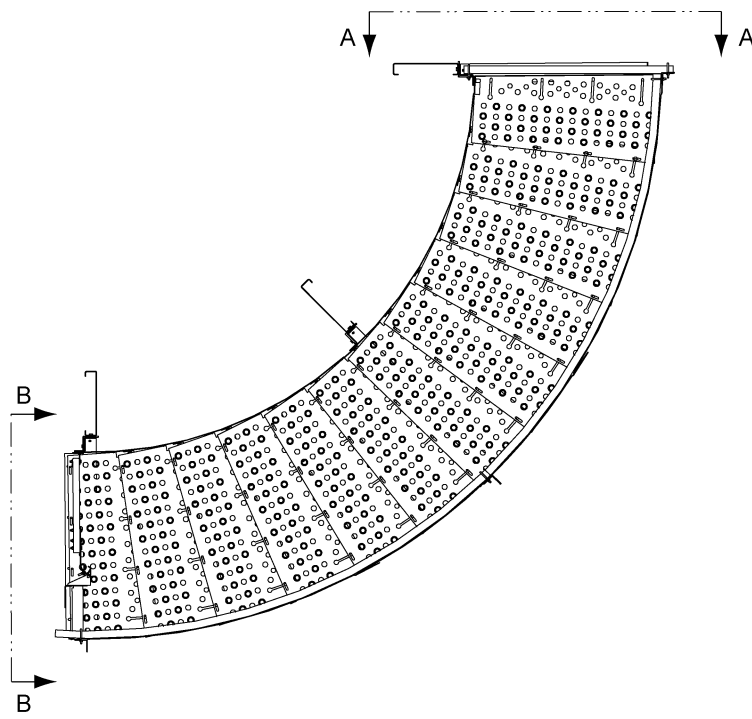
18' Offset Fan Style Platform (GT4-1047-18F)



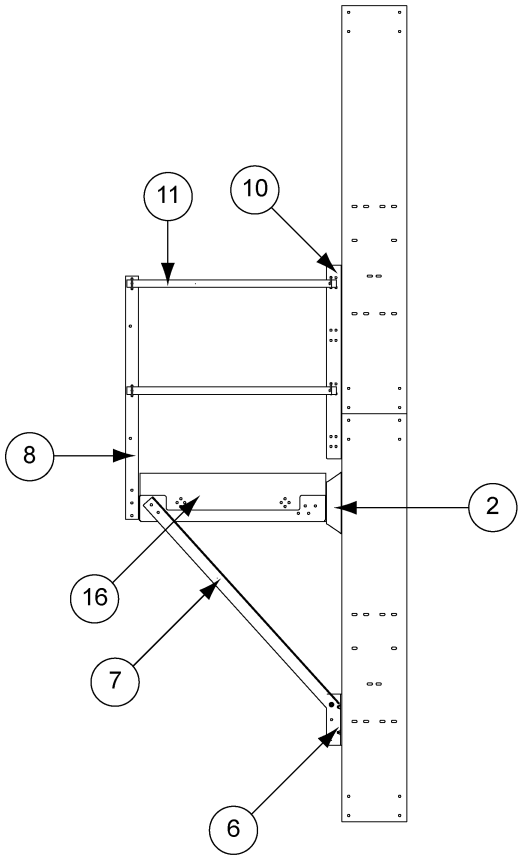
18' Offset Fan Style Platform (GT4-1047-18F) Parts List

Ref #	Part #	Description	Qty
1	GT1-0001	Vertical Channel	6
2	GT1-2036	Catwalk/Platform to Dryer Wall Bracket	3
3	GT1-2035	Inner Toe Board	2
4	GT1-2033	Plank	10
5	GT1-2034	Outer Toe Board	2
6	GT1-2040-BS	Catwalk Support Clip - Bin Silver	3
7	GT1-2039-BS	Outside/Inside Catwalk Diagonal Support - Bin Silver	3
8	GT1-2037-BS	Catwalk Vertical Support - Bin Silver	3
9	GT1-2038-18O	18' Outside Catwalk/Platform Handrail	4
10	GT1-2045	Platform End Plate	2
11	GT1-2044	Platform End Handrail	2
12	GT1-2086	Catwalk Plank Support	1
13	GT1-2087	Swing Gate Support	1
14	GT1-0920	Catwalk End Handrail	2
15	GT4-1455	Ladder Safety Gate	1
16	GT1-2095	Platform End Toe Board	1
17	S-10267	Truss Bolt 5/16"-18 x 3/4" JS Grade 8 or Grade 8.2	50
18	S-7485	Flange Bolt 3/8"-16 x 1" JS Grade 8 or Grade 8.2	125
19	S-968	Flange Nut 3/8"-16 ZN Grade 5 Wide Flange	125
20	S-10171	Bolt, U-Bolt 5/16"-18 for 1-1/4" Pipe ZN	12
21	S-10268	Flange Nut 5/16"-18 JS Grade 5	75
22	S-7466	Screw, SDS #10-16 x 3/4" HWH ZN Grade 2	5
N/S	090-1709-6	Retainer Nut 5/16"-18 x 0.120" ZN	12
N/S	GT1-2144	Holding Plate, Inner Toe Board to Plank	6
N/S	S-10175	Extruded Nut 3/8"-16, Tapped Hole, 050-0.200 Panel Range, Black	12

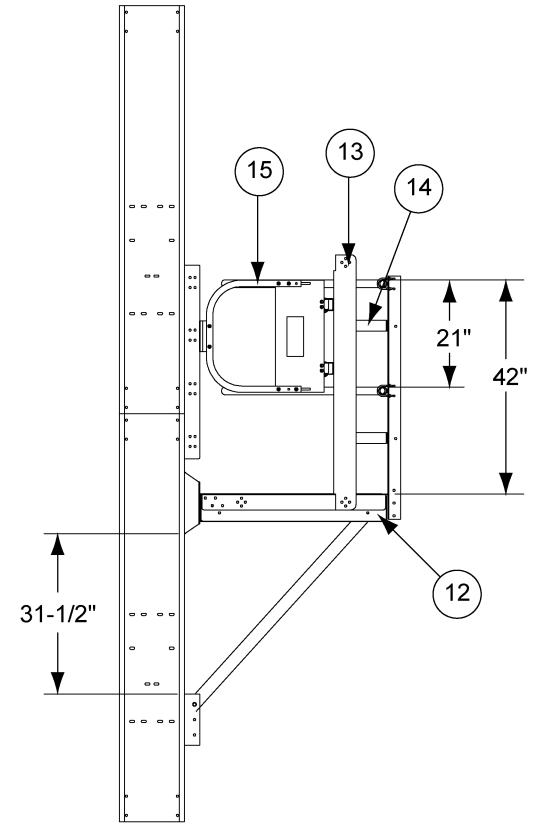
18' Offset Fan Style Platform (GT4-1047-18F) (Continued)



Top view



View A-A

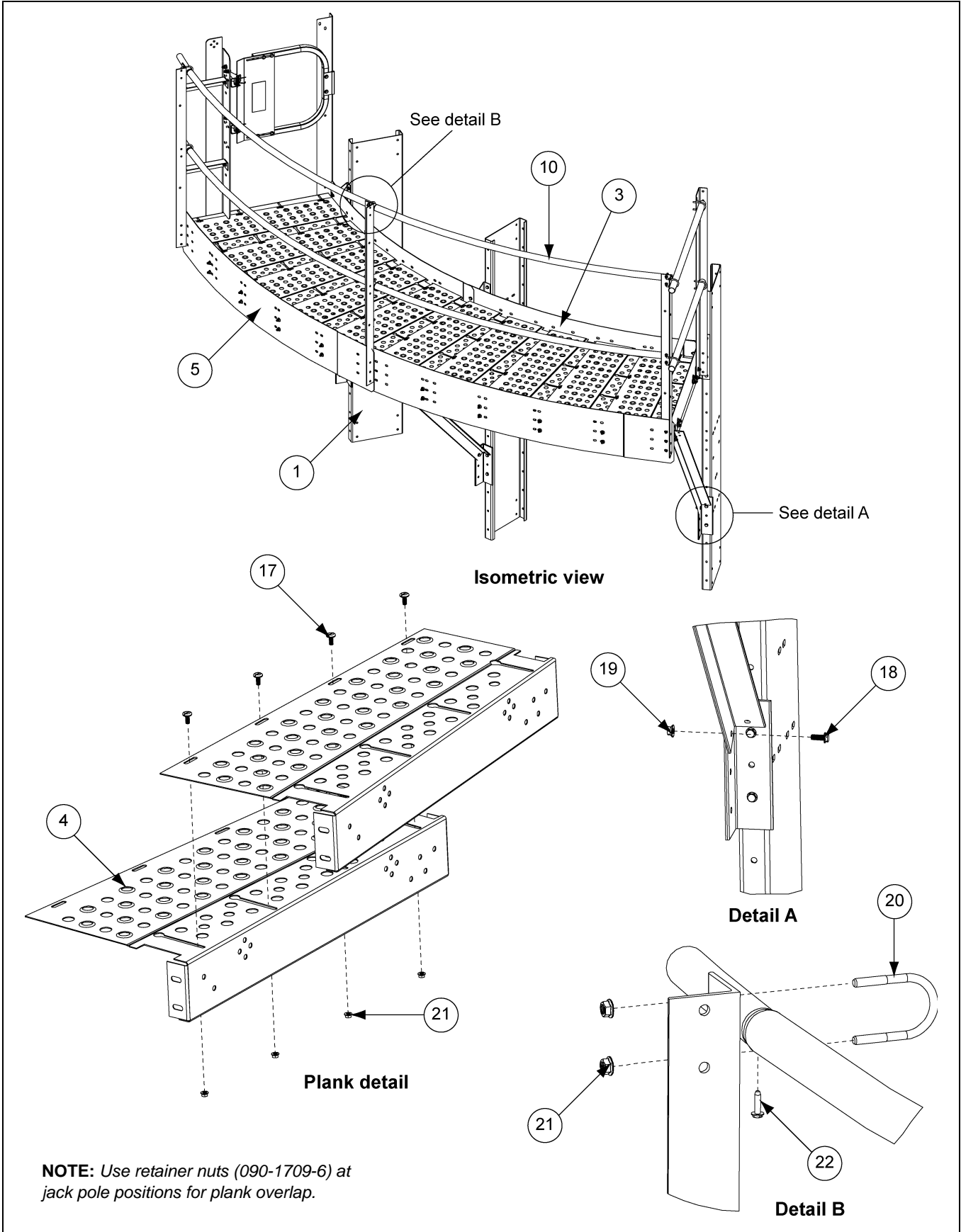


View B-B

18' Offset Fan Style Platform (GT4-1047-18F) Parts List

Ref #	Part #	Description	Qty
1	GT1-0001	Vertical Channel	6
2	GT1-2036	Catwalk/Platform to Dryer Wall Bracket	3
3	GT1-2035	Inner Toe Board	2
4	GT1-2033	Plank	10
5	GT1-2034	Outer Toe Board	2
6	GT1-2040-BS	Catwalk Support Clip - Bin Silver	3
7	GT1-2039-BS	Outside/Inside Catwalk Diagonal Support - Bin Silver	3
8	GT1-2037-BS	Catwalk Vertical Support - Bin Silver	3
9	GT1-2038-18O	18' Outside Catwalk/Platform Handrail	4
10	GT1-2045	Platform End Plate	2
11	GT1-2044	Platform End Handrail	2
12	GT1-2086	Catwalk Plank Support	1
13	GT1-2087	Swing Gate Support	1
14	GT1-0920	Catwalk End Handrail	2
15	GT4-1455	Ladder Safety Gate	1
16	GT1-2095	Platform End Toe Board	1
17	S-10267	Truss Bolt 5/16"-18 x 3/4" JS Grade 8 or Grade 8.2	50
18	S-7485	Flange Bolt 3/8"-16 x 1" JS Grade 8 or Grade 8.2	125
19	S-968	Flange Nut 3/8"-16 ZN Grade 5 Wide Flange	125
20	S-10171	Bolt, U-Bolt 5/16"-18 for 1-1/4" Pipe ZN	12
21	S-10268	Flange Nut 5/16"-18 JS Grade 5	75
22	S-7466	Screw, SDS #10-16 x 3/4" HWH ZN Grade 2	5
N/S	090-1709-6	Retainer Nut 5/16"-18 x 0.120" ZN	12
N/S	GT1-2144	Holding Plate, Inner Toe Board to Plank	6
N/S	S-10175	Extruded Nut 3/8"-16, Tapped Hole, 050-0.200 Panel Range, Black	12

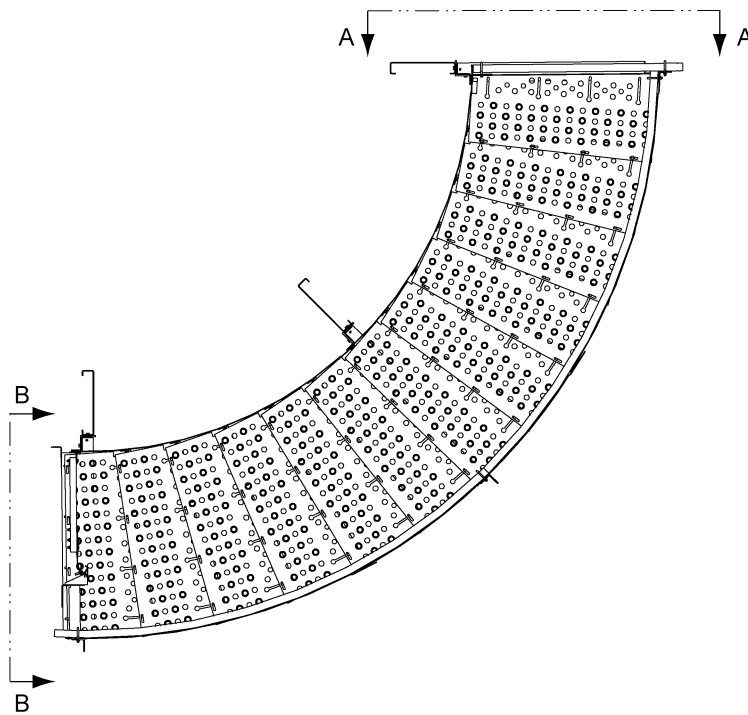
18' Roof Hatch Fan Style Platform (GT4-1051-18F)



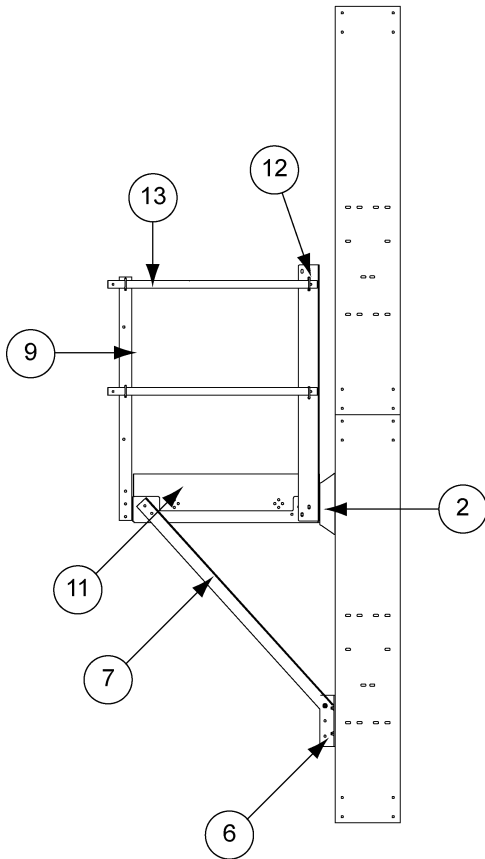
18' Roof Hatch Fan Style Platform (GT4-1051-18F) Parts List

Ref #	Part #	Description	Qty
1	GT1-0001	Vertical Channel	3
2	GT1-2036	Catwalk/Platform to Dryer Wall Bracket	3
3	GT1-2035	Inner Toe Board	2
4	GT1-2033	Plank	10
5	GT1-2034	Outer Toe Board	2
6	GT1-2086	Catwalk Plank Support	1
7	GT1-2040-BS	Catwalk Support Clip - Bin Silver	3
8	GT1-2039-BS	Outside/Inside Catwalk Diagonal Support - Bin Silver	3
9	GT1-2037-BS	Vertical Support Handrail - Bin Silver	3
10	GT1-2038-18O	18' Outside Catwalk/Platform Handrail	4
11	GT1-2044	Platform End Handrail	2
12	GT1-2087	Swing Gate Support	1
13	GT1-0920	Catwalk End Handrail	2
14	GT4-1455	Ladder Safety Gate	1
15	GT1-2095	Platform End Toe Board	1
16	GT1-2091	Swing Gate Stop Plate	2
17	S-10267	Truss Bolt 5/16"-18 x 3/4" JS Grade 8 or Grade 8.2	50
18	S-7485	Flange Bolt 3/8"-16 x 1" JS Grade 8 or Grade 8.2	125
19	S-968	Flange Nut 3/8"-16 ZN Grade 5 Wide Flange	125
20	S-10171	Bolt, U-Bolt 5/16"-18 for 1-1/4" Pipe ZN	12
21	S-10268	Flange Nut 5/16"-18 JS Grade 5	75
22	S-7466	Screw, SDS #10-16 x 3/4" HWH ZN Grade 2	5
N/S	090-1709-6	Retainer Nut 5/16"-18 x 0.120" ZN	12
N/S	GT1-2144	Holding Plate, Inner Toe Board to Plank	6
N/S	S-10175	Extruded Nut 3/8"-16, Tapped Hole, 050-0.200 Panel Range, Black	12

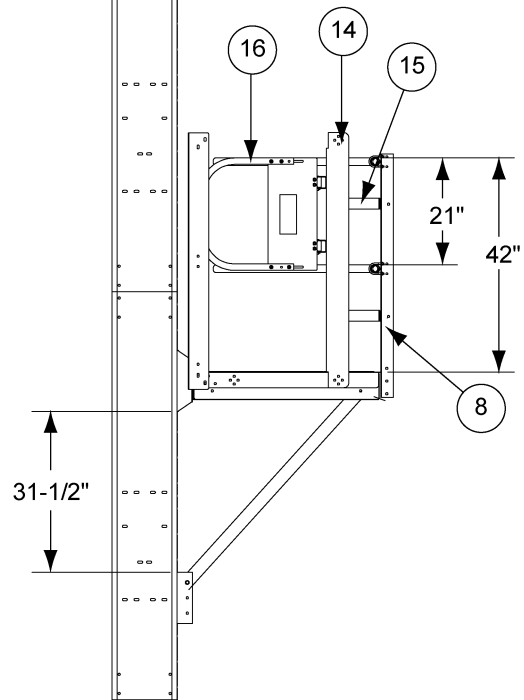
18' Roof Hatch Fan Style Platform (GT4-1051-18F) (Continued)



Top view



View A-A



View B-B

18' Roof Hatch Fan Style Platform (GT4-1051-18F) Parts List

Ref #	Part #	Description	Qty
1	GT1-0001	Vertical Channel	3
2	GT1-2036	Catwalk/Platform to Dryer Wall Bracket	3
3	GT1-2035	Inner Toe Board	2
4	GT1-2033	Plank	10
5	GT1-2034	Outer Toe Board	2
6	GT1-2086	Catwalk Plank Support	1
7	GT1-2040-BS	Catwalk Support Clip - Bin Silver	3
8	GT1-2039-BS	Outside/Inside Catwalk Diagonal Support - Bin Silver	3
9	GT1-2037-BS	Vertical Support Handrail - Bin Silver	3
10	GT1-2038-18O	18' Outside Catwalk/Platform Handrail	4
11	GT1-2044	Platform End Handrail	2
12	GT1-2087	Swing Gate Support	1
13	GT1-0920	Catwalk End Handrail	2
14	GT4-1455	Ladder Safety Gate	1
15	GT1-2095	Platform End Toe Board	1
16	GT1-2091	Swing Gate Stop Plate	2
17	S-10267	Truss Bolt 5/16"-18 x 3/4" JS Grade 8 or Grade 8.2	50
18	S-7485	Flange Bolt 3/8"-16 x 1" JS Grade 8 or Grade 8.2	125
19	S-968	Flange Nut 3/8"-16 ZN Grade 5 Wide Flange	125
20	S-10171	Bolt, U-Bolt 5/16"-18 for 1-1/4" Pipe ZN	12
21	S-10268	Flange Nut 5/16"-18 JS Grade 5	75
22	S-7466	Screw, SDS #10-16 x 3/4" HWH ZN Grade 2	5
N/S	090-1709-6	Retainer Nut 5/16"-18 x 0.120" ZN	12
N/S	GT1-2144	Holding Plate, Inner Toe Board to Plank	6
N/S	S-10175	Extruded Nut 3/8"-16, Tapped Hole, 050-0.200 Panel Range, Black	12

NOTES

GSI Group, LLC Limited Warranty

The GSI Group, LLC ("GSI") warrants products which it manufactures to be free of defects in materials and workmanship under normal usage and conditions for a period of 12 months after sale to the original end-user or if a foreign sale, 14 months from arrival at port of discharge, whichever is earlier. The end-user's sole remedy (and GSI's only obligation) is to repair or replace, at GSI's option and expense, products that in GSI's judgment, contain a material defect in materials or workmanship. Expenses incurred by or on behalf of the end-user without prior written authorization from the GSI Warranty Group shall be the sole responsibility of the end-user.

Warranty Extensions:

The Limited Warranty period is extended for the following products:

	Product	Warranty Period	
AP Fans and Flooring	Performer Series Direct Drive Fan Motor	3 Years	* Warranty prorated from list price: 0 to 3 years - no cost to end-user 3 to 5 years - end-user pays 25% 5 to 7 years - end-user pays 50% 7 to 10 years - end-user pays 75%
	All Fiberglass Housings	Lifetime	
	All Fiberglass Propellers	Lifetime	
AP and Cumberland	Flex-Flo/Pan Feeding System Motors	2 Years	
Cumberland Feeding/Watering Systems	Feeder System Pan Assemblies	5 Years **	** Warranty prorated from list price: 0 to 3 years - no cost to end-user 3 to 5 years - end-user pays 50%
	Feed Tubes (1-3/4" and 2.00")	10 Years *	
	Centerless Augers	10 Years *	
	Watering Nipples	10 Years *	
Grain Systems	Grain Bin Structural Design	5 Years	
Grain Systems Farm Fans Zimmerman	Portable and Tower Dryers	2 Years	† Motors, burner components and moving parts not included. Portable dryer screens included. Tower dryer screens not included.
	Portable and Tower Dryer Frames and Internal Infrastructure †	5 Years	

GSI further warrants that the portable and tower dryer frame and basket, excluding all auger and auger drive components, shall be free from defects in materials for a period of time beginning on the twelfth (12th) month from the date of purchase and continuing until the sixtieth (60th) month from the date of purchase (extended warranty period). During the extended warranty period, GSI will replace the frame or basket components that prove to be defective under normal conditions of use without charge, excluding the labor, transportation and/or shipping costs incurred in the performance of this extended warranty.

Conditions and Limitations:

THERE ARE NO WARRANTIES THAT EXTEND BEYOND THE LIMITED WARRANTY DESCRIPTION SET FORTH ABOVE. SPECIFICALLY, GSI MAKES NO FURTHER WARRANTY OF ANY KIND, EXPRESS OR IMPLIED, INCLUDING, WITHOUT LIMITATION, WARRANTIES OF MERCHANTABILITY OR FITNESS FOR A PARTICULAR PURPOSE OR USE IN CONNECTION WITH: (I) PRODUCT MANUFACTURED OR SOLD BY GSI OR (II) ANY ADVICE, INSTRUCTION, RECOMMENDATION OR SUGGESTION PROVIDED BY AN AGENT, REPRESENTATIVE OR EMPLOYEE OF GSI REGARDING OR RELATED TO THE CONFIGURATION, INSTALLATION, LAYOUT, SUITABILITY FOR A PARTICULAR PURPOSE, OR DESIGN OF SUCH PRODUCTS.

GSI shall not be liable for any direct, indirect, incidental or consequential damages, including, without limitation, loss of anticipated profits or benefits. The sole and exclusive remedy is set forth in the Limited Warranty, which shall not exceed the amount paid for the product purchased. This warranty is not transferable and applies only to the original end-user. GSI shall have no obligation or responsibility for any representations or warranties made by or on behalf of any dealer, agent or distributor.

GSI assumes no responsibility for claims resulting from construction defects or unauthorized modifications to products which it manufactured. Modifications to products not specifically delineated in the manual accompanying the equipment at initial sale will void the Limited Warranty.

This Limited Warranty shall not extend to products or parts which have been damaged by negligent use, misuse, alteration, accident or which have been improperly/inadequately maintained. This Limited Warranty extends solely to products manufactured by GSI.

Prior to installation, the end-user has the responsibility to comply with federal, state and local codes which apply to the location and installation of products manufactured or sold by GSI.

This equipment shall be installed in accordance with the current installation codes and applicable regulations, which should be carefully followed in all cases. Authorities having jurisdiction should be consulted before installations are made.



GSI Group
1004 E. Illinois St.
Assumption, IL 62510-0020
Phone: 1-217-226-4421
Fax: 1-217-226-4420
www.gsiag.com



GSI is a worldwide brand of AGCO Corporation.