



# 30' Tower Dryer Fan Style Catwalk Assembly

Installation Manual

PNEG-1876

Date: 05-09-13

GSI GROUP



PNEG-1876



## Contents

<b>Chapter 1 Introduction</b> .....	<b>4</b>
<b>Chapter 2 Safety</b> .....	<b>5</b>
Safety Guidelines .....	5
<b>Chapter 3 Decals</b> .....	<b>7</b>
<b>Chapter 4 30' Outside Catwalk Installation Instructions</b> .....	<b>10</b>
Installing Z-Clips (GT1-2036) .....	10
Installing Swing Gate Stop (GT1-2045) .....	11
Installing Catwalk Support Clip (GT1-2040-BS) .....	12
Installing Inner Toe Board (GT1-2035) and Ladder Opening Toe Board (GT4-1465) .....	13
Installing Plank (GT1-2033) to Inner Toe Board (GT1-2035) .....	15
Installing Plank Support (GT1-2086) .....	18
Installing Knee Support (GT1-2039-BS) .....	19
Installing Outer Toe Board (GT1-2034) and Catwalk Vertical Support (GT1-2037-BS) .....	20
Installing Handrails (GT1-2038-30O) .....	21
Installing Safety Gate (GT4-1455) .....	23
Installing Ladder Bracket (GT1-2088) .....	25
Installing Planks at Jack Pole Locations .....	26
Outside Catwalk Walk Surface .....	28
<b>Chapter 5 30' Inside Catwalk Installation Instructions</b> .....	<b>30</b>
Installing Z-Clips (GT1-2036) .....	30
Installing Catwalk Support Clip (GT1-2040-BS) .....	31
Installing Outer Toe Board (GT1-2062) .....	32
Installing Planks (GT1-2060) to Outer Toe Board (GT1-2062) .....	33
Installing Knee Support (GT1-2039-BS) .....	35
Installing Inner Toe Board (GT1-2061) and Catwalk Vertical Support (GT1-2037-BS) .....	36
Installing Handrail (GT1-2038-12I) .....	38
Inside Catwalk Walk Surface .....	39
<b>Chapter 6 30' Offset and Roof Hatch Platform Installation Instructions</b> .....	<b>42</b>
Installing Z-Clips (GT1-2036) .....	42
Installing Swing Gate Stop (GT1-2045) .....	44
Installing Catwalk Support Clip (GT1-2040-BS) .....	45
Installing Inner Toe Board (GT1-2035) .....	47
Installing Plank (GT1-2033) to Inner Toe Board (GT1-2035) .....	49
Installing Plank Support (GT1-2086) .....	52
Installing Knee Support (GT1-2039-BS) .....	53
Installing Outer Toe Board (GT1-2034) and Catwalk Vertical Support (GT1-2037-BS) .....	54
Installing Long Handrails (GT1-2038-30O) .....	55
Installing Safety Gate (GT4-1455) with Plank Support (GT1-2086) .....	58
<b>Chapter 7 Parts List</b> .....	<b>61</b>
30' Outside Fan Style Catwalk (GT4-1039-30F) .....	62
30' Inside Fan Style Catwalk (GT4-1043-30F) .....	66
30' Offset Fan Style Platform (GT4-1047-30F) .....	70
30' Roof Hatch Fan Style Platform (GT4-1051-30F) .....	74
<b>Chapter 8 Warranty</b> .....	<b>79</b>

## 1. Introduction

---

READ THIS MANUAL carefully to learn how to properly use and install equipment. Failure to do so could result in personal injury or equipment damage.

INSPECT the shipment immediately upon arrival. The customer is responsible for ensuring that all quantities are correct. The customer should report and note any damage or shortage on the bill of lading to justify their claim to the transport company.

THIS MANUAL SHOULD BE CONSIDERED a permanent part of your equipment and should be easily accessible when needed.

This warranty provides you the assurance that the company will back its products when defects appear within the warranty period. In some circumstances, the company also provides field improvements, often without charge to the customer, even if the product is out of warranty. Should the equipment be abused, or modified to change its performance beyond the factory specifications, the warranty will become void and field improvements may be denied.

## Safety Guidelines

This manual contains information that is important for you, the owner/operator, to know and understand. This information relates to protecting **personal safety** and **preventing equipment problems**. It is the responsibility of the owner/operator to inform anyone operating or working in the area of this equipment of these safety guidelines. To help you recognize this information, we use the symbols that are defined below. Please read the manual and pay attention to these sections. Failure to read this manual and its safety instructions is a misuse of the equipment and may lead to serious injury or death.



**This is the safety alert symbol. It is used to alert you to potential personal injury hazards. Obey all safety messages that follow this symbol to avoid possible injury or death.**



**DANGER** indicates a hazardous situation which, if not avoided, will result in death or serious injury.



**WARNING** indicates a hazardous situation which, if not avoided, could result in death or serious injury.



**CAUTION**, used with the safety alert symbol, indicates a hazardous situation which, if not avoided, could result in minor or moderate injury.



**NOTICE** is used to address practices not related to personal injury.

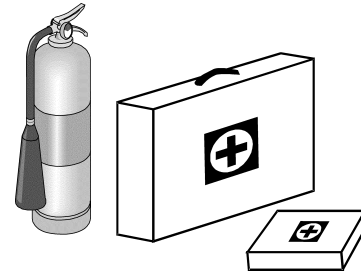
## 2. Safety

### Prepare for Emergencies

Be prepared if fire starts.

Keep a first aid kit and fire extinguisher handy.

Keep emergency numbers for doctors, ambulance service, hospital, and fire department near your telephone.



**Keep Emergency Equipment Quickly Accessible**

### Wear Protective Clothing

Wear close-fitting clothing and safety equipment appropriate to the job.

Remove all jewelry.

Tie long hair up and back.

Wear safety glasses at all times to protect eyes from debris.

Wear gloves to protect your hands from sharp edges on plastic or steel parts.

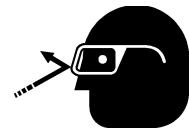
Wear steel-toed boots to help protect your feet from falling debris. Tuck in any loose or dangling shoestrings.

A respirator may be needed to prevent breathing potentially toxic fumes and dust.

Wear a hard hat to help protect your head.

Wear appropriate fall protection equipment when working at elevations greater than six feet (6').

**Eye Protection**



**Gloves**



**Steel-Toed Boots**



**Respirator**



**Hard Hat**



**Fall Protection**



Safety decals should be read and understood by all people in and around the dryer area. If the following safety decals are not displayed on your dryer or if they are damaged, contact the GSI for replacement:

### GSI Decals

1004 E. Illinois St.  
Assumption, IL. 62510  
Phone: 1-217-226-4421

 <h1 style="margin: 0;">DANGER</h1>	
	<p><b>DO NOT EXCEED PLATFORM LOAD LIMIT</b></p> <p><b>Load limit = 1000 LBS. (4.50 kN)</b></p> <p>Excessive load will damage platform and cause platform to fall.</p> <p>Injury or death will result.</p>
DC-2188	
<p><b>DC-2188</b></p> <p>Background: White Colors: Black, Safety Red (PMS 485C), Safety Yellow (PMS 109C) Size: 3.0" x 7.0"</p>	

---

# NOTES





# **30' Outside Fan Style Catwalk Assembly Instructions (GT4-1039-30F)**

## 4. 30' Outside Catwalk Installation Instructions

### Installing Z-Clips (GT1-2036)

1. Bolt Z-clip (GT1-2036) to all vertical channels (GT1-0001). The Z-clip can be installed on each vertical channel as wall sheets are installed using 3/8"-16 x 1" YDP grade 8 or grade 8.2 bolts (S-7927) and 3/8"-16 ZN grade 5 nuts (S-968). (See Figure 4A and Figure 4B.)

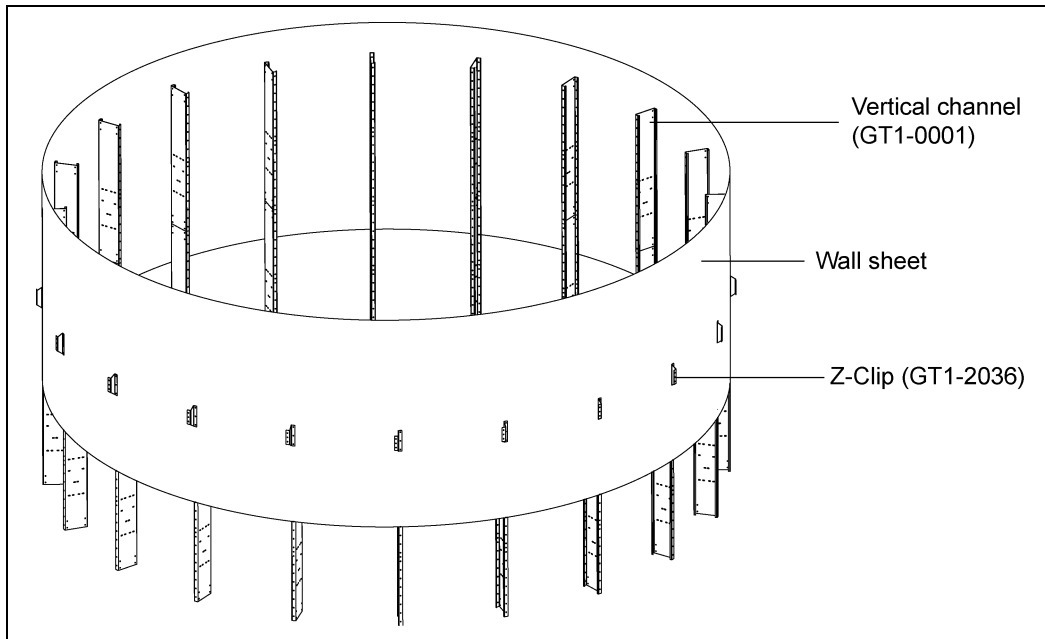


Figure 4A

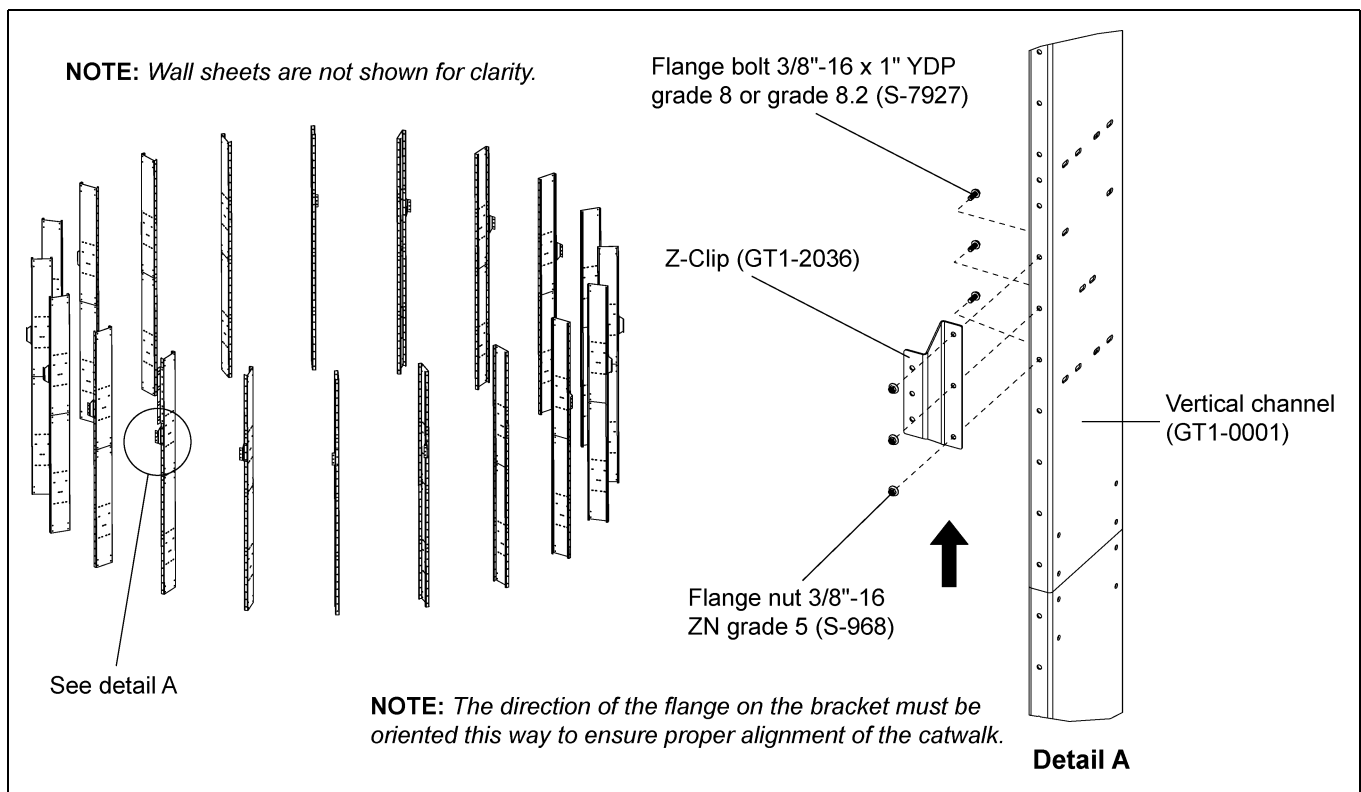


Figure 4B

## Installing Swing Gate Stop (GT1-2045)

1. Identify the ladder opening vertical channel and install the swing gate stop (GT1-2045) to the vertical channel (GT1-0001) as wall sheets are installed using 3/8"-16 x 1" YDP grade 8 or grade 8.2 bolts (S-7927) and 3/8"-16 ZN grade 5 nuts (S-968). (See Figure 4C and Figure 4D.)

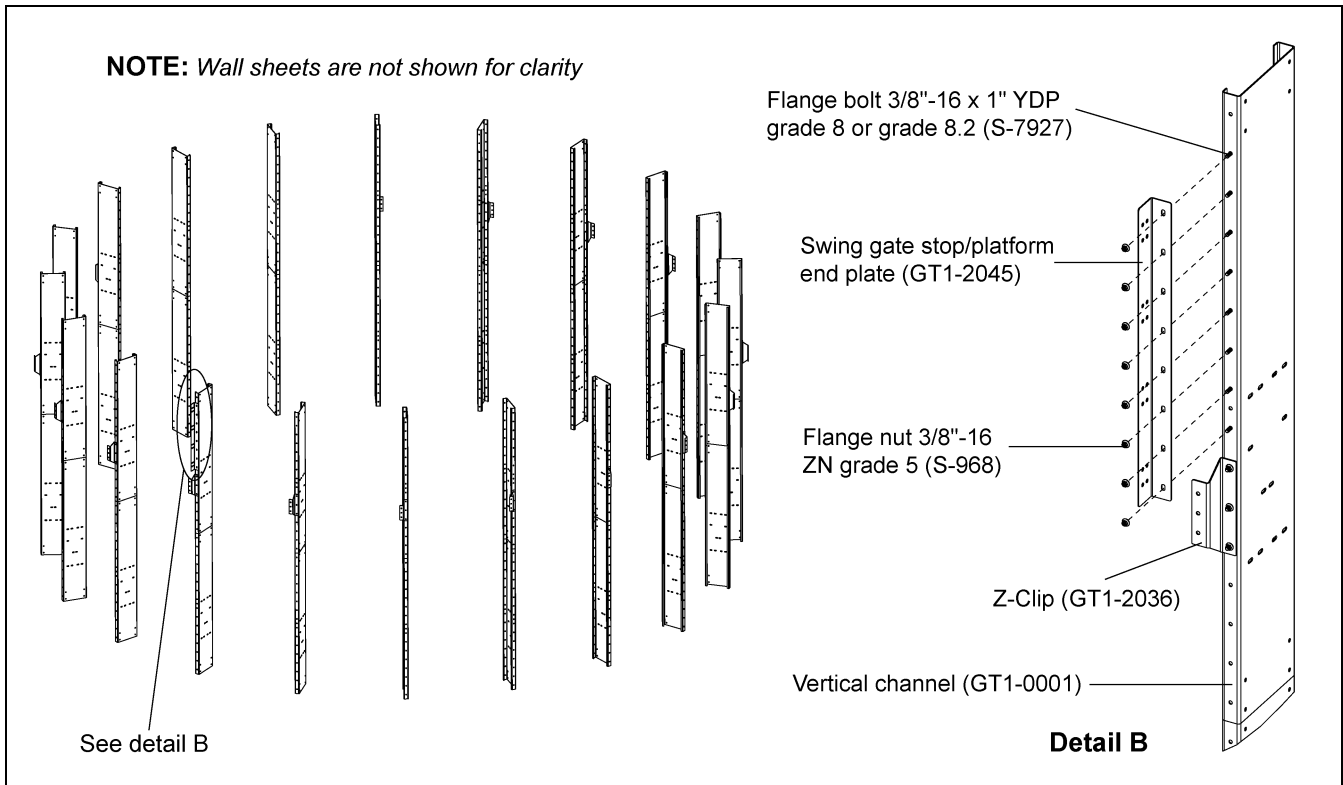


Figure 4C

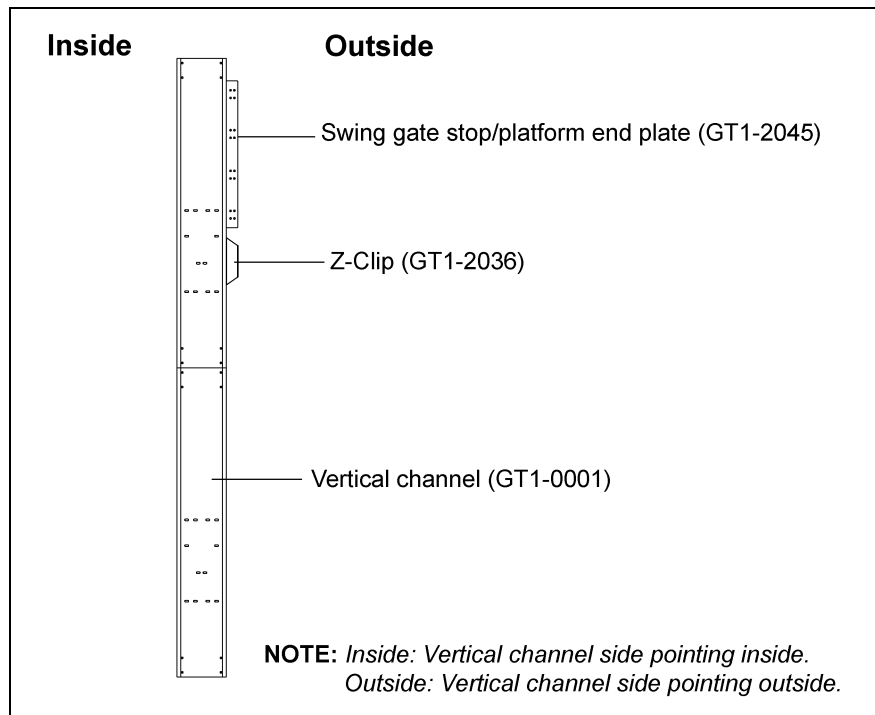


Figure 4D

## 4. 30' Outside Catwalk Installation Instructions

### Installing Catwalk Support Clip (GT1-2040-BS)

1. Install catwalk support clips (GT1-2040-BS) to all vertical channels (GT1-0001). Support clip can be installed on each vertical channel as the wall sheets are installed using 3/8"-16 x 1" YDP grade 8 or grade 8.2 bolts (S-7927) and 3/8"-16 ZN grade 5 nuts (S-968). (See Figure 4E.)
2. The distance between the Z-clip and support clip for 30' outside catwalk is 31-1/2". (See Figure 4F.)

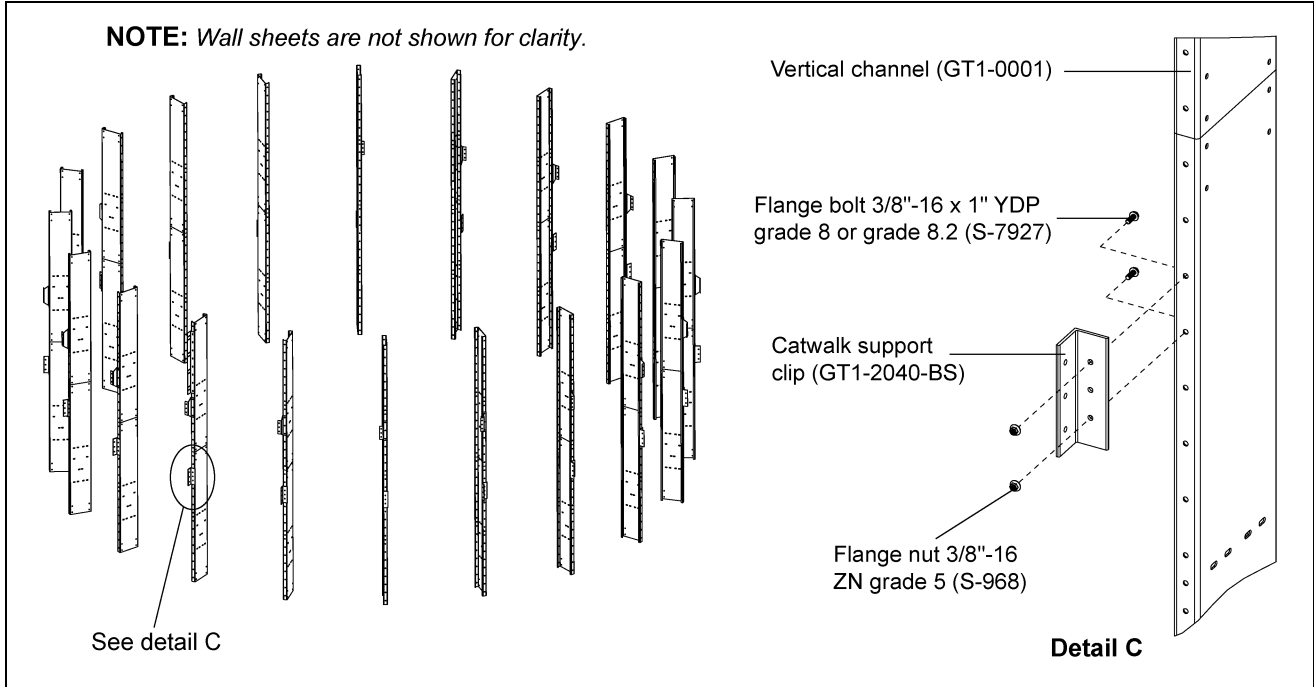


Figure 4E

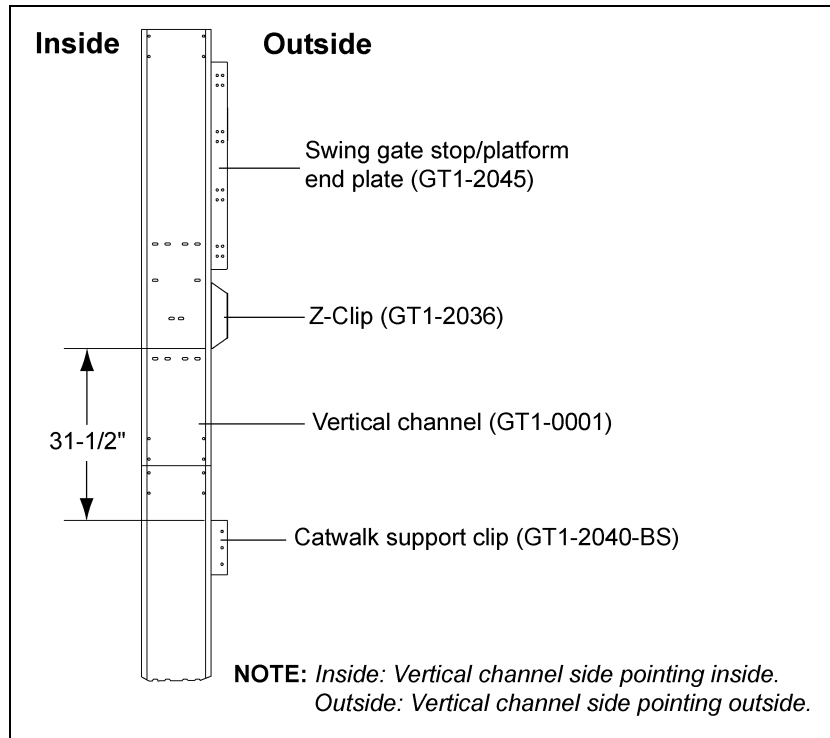


Figure 4F

## Installing Inner Toe Board (GT1-2035) and Ladder Opening Toe Board (GT4-1465)

1. Install the inner toe board (GT1-2035) to the Z-clips (GT1-2036). All toe boards should be installed between the Z-clips using 3/8"-16 x 1" YDP grade 8 or grade 8.2 bolts (S-7927) and 3/8"-16 ZN grade 5 nuts (S-968). (See Figure 4G.)
2. At the ladder location, install the ladder opening toe board (GT4-1465) to Z-clips using 3/8"-16 x 1" YDP grade 8 or grade 8.2 bolts (S-7927) and 3/8"-16 ZN grade 5 nuts (S-968) in such a way that toe board opening falls on the ladder path. (See Figure 4G below and Figure 4H on Page 14.)

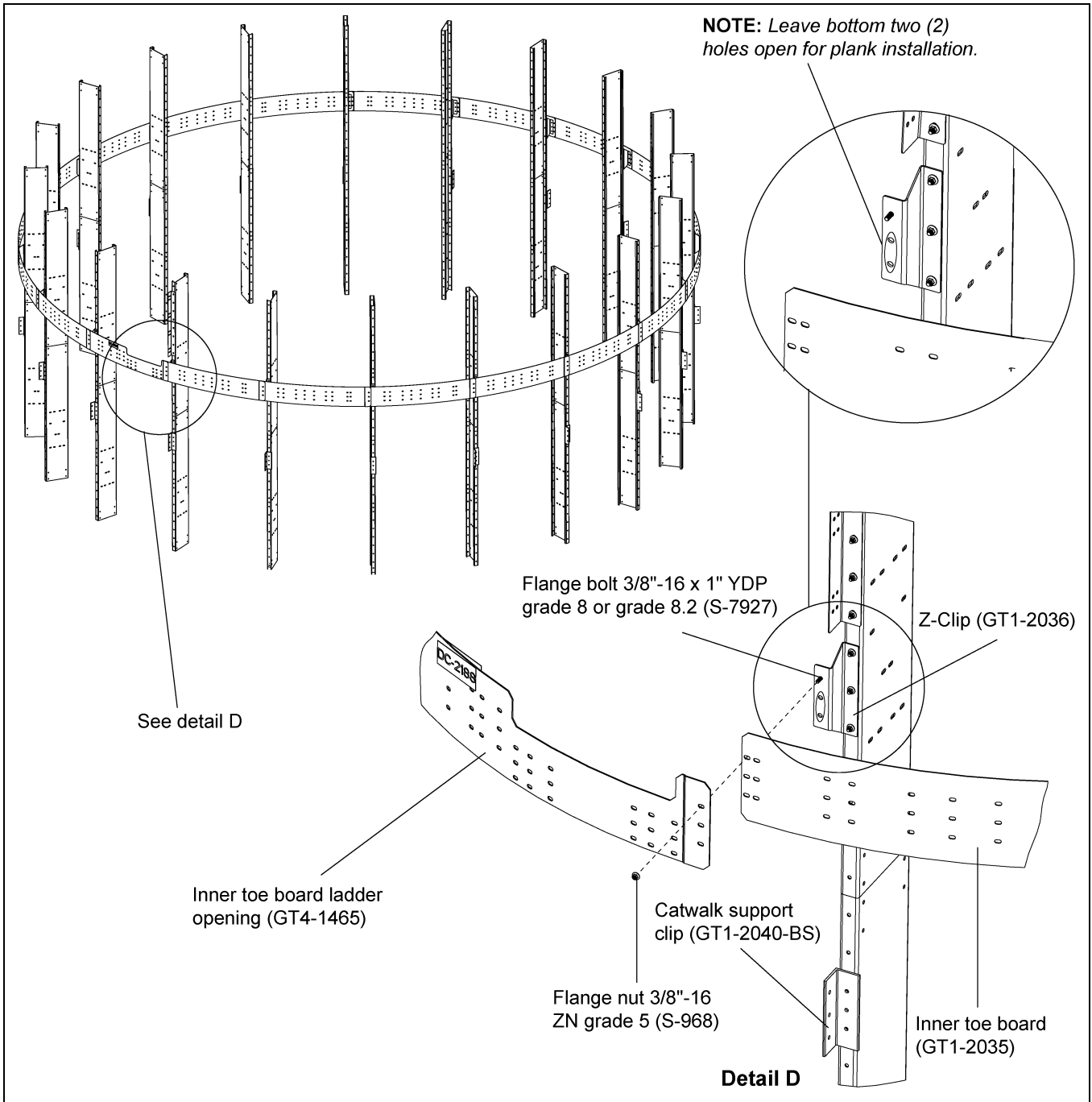
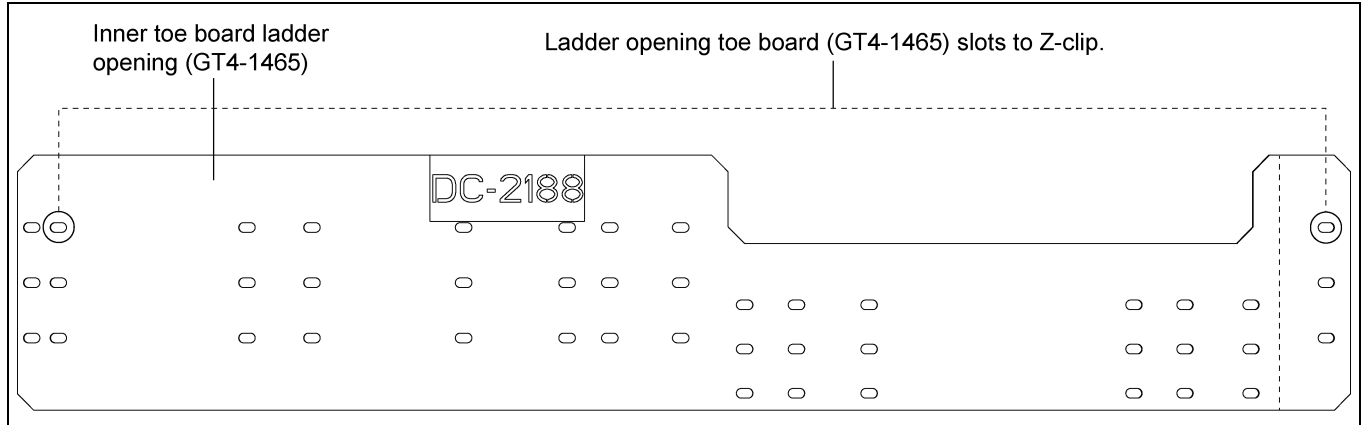


Figure 4G

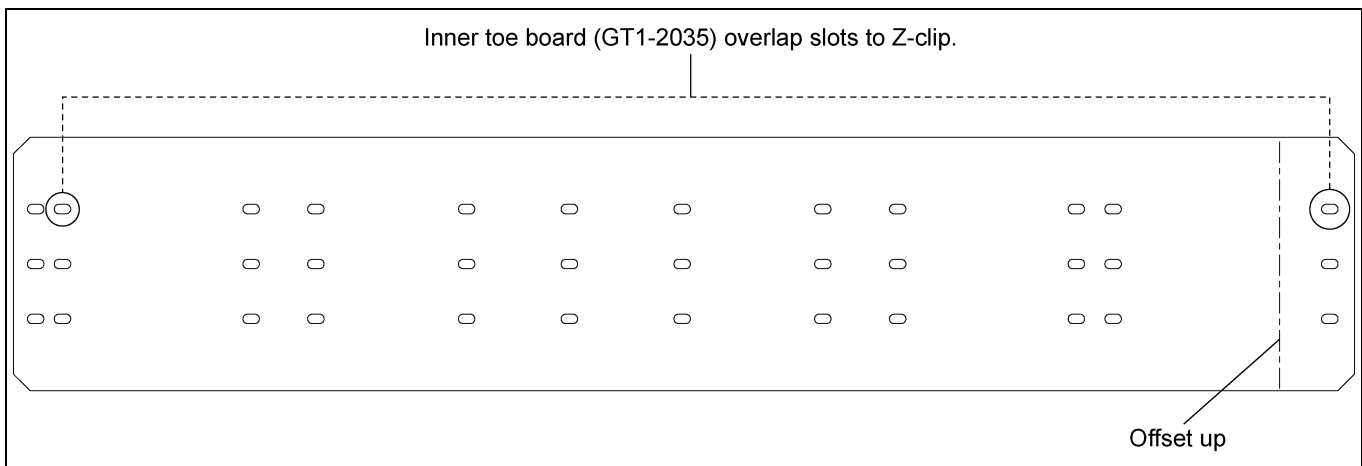
## 4. 30' Outside Catwalk Installation Instructions

### Installing Inner Toe Board (GT1-2035) and Ladder Opening Toe Board (GT4-1465) (Continued)



**Figure 4H** 30' Ladder Opening Toe Board (GT4-1465)

3. Inner toe board is arranged with overlap slots on each side. Install 30' inner toe boards (GT1-2035) to corresponding slots as shown in [Figure 4I](#).



**Figure 4I** 30' Inner Toe Board (GT1-2035)

## Installing Plank (GT1-2033) to Inner Toe Board (GT1-2035)

1. Install planks around the dryer on inner toe board starting from ladder opening toe board (GT4-1465) as shown by arrow in the *Figure 4J*.
2. Planks (GT1-2033) are installed to bottom two (2) holes of the inner toe board (GT1-2035) using 3/8"-16 x 1" YDP grade 8 or grade 8.2 bolts (S-7927) and 3/8"-16 ZN grade 5 nuts (S-968). (See *Figure 4J*.)

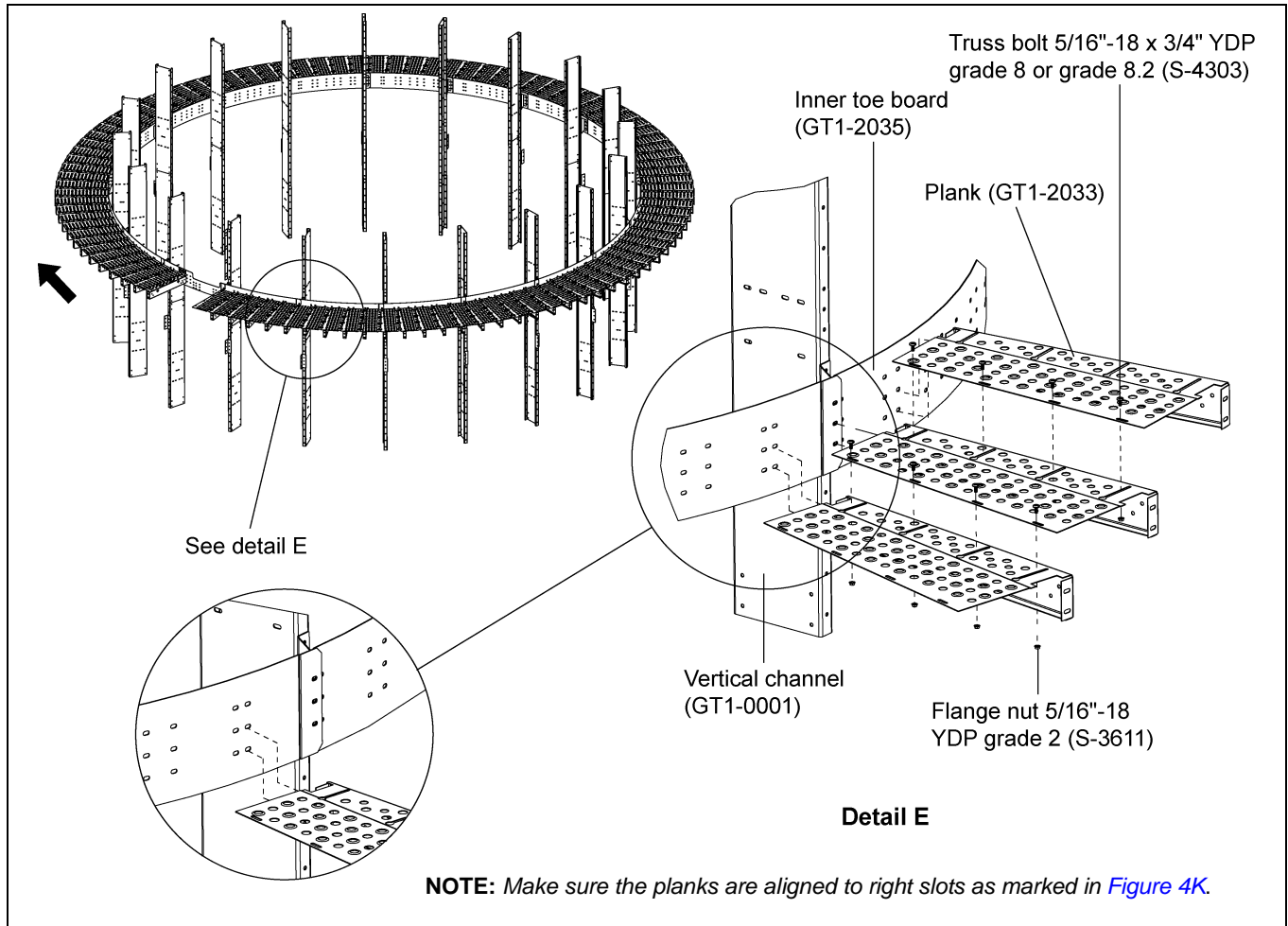


Figure 4J

3. Inner toe board (GT1-2035) is arranged with many slots to install plank. Install planks to corresponding slots as shown in *Figure 4K*.

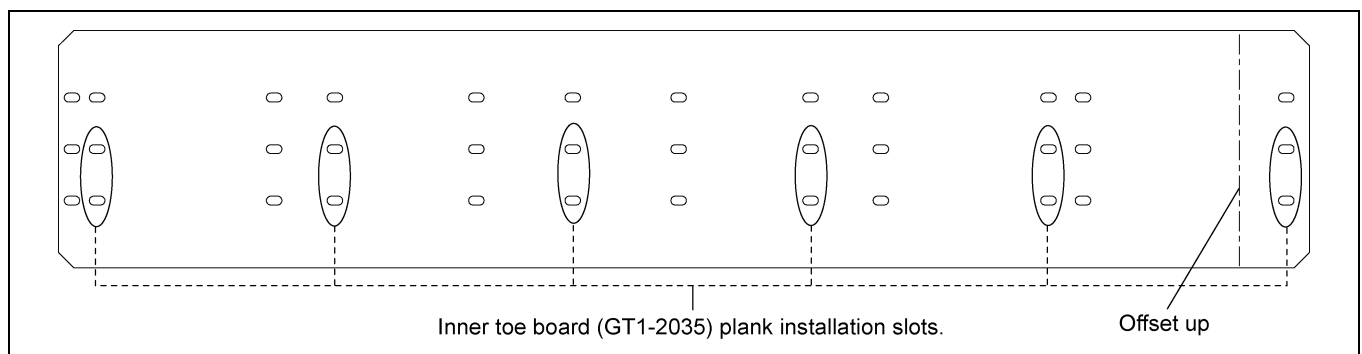


Figure 4K 30' Inner Toe Board (GT1-2035)

## 4. 30' Outside Catwalk Installation Instructions

### Installing Planks (GT1-2033) to Inner Toe Board (GT1-2035) (Continued)

4. Install all the planks (GT1-2033) continuously around the dryer except at the jack pole locations.  
(See *Figure 4L* and *Figure 4M*.)

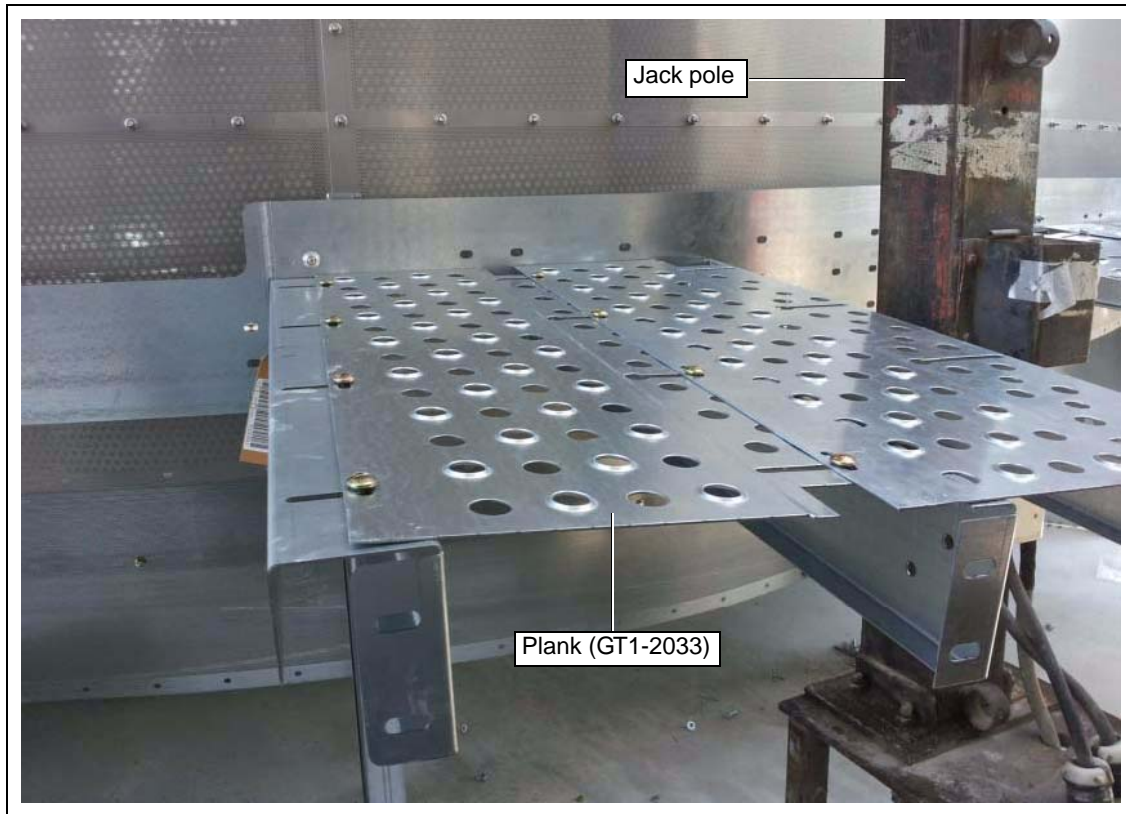


Figure 4L

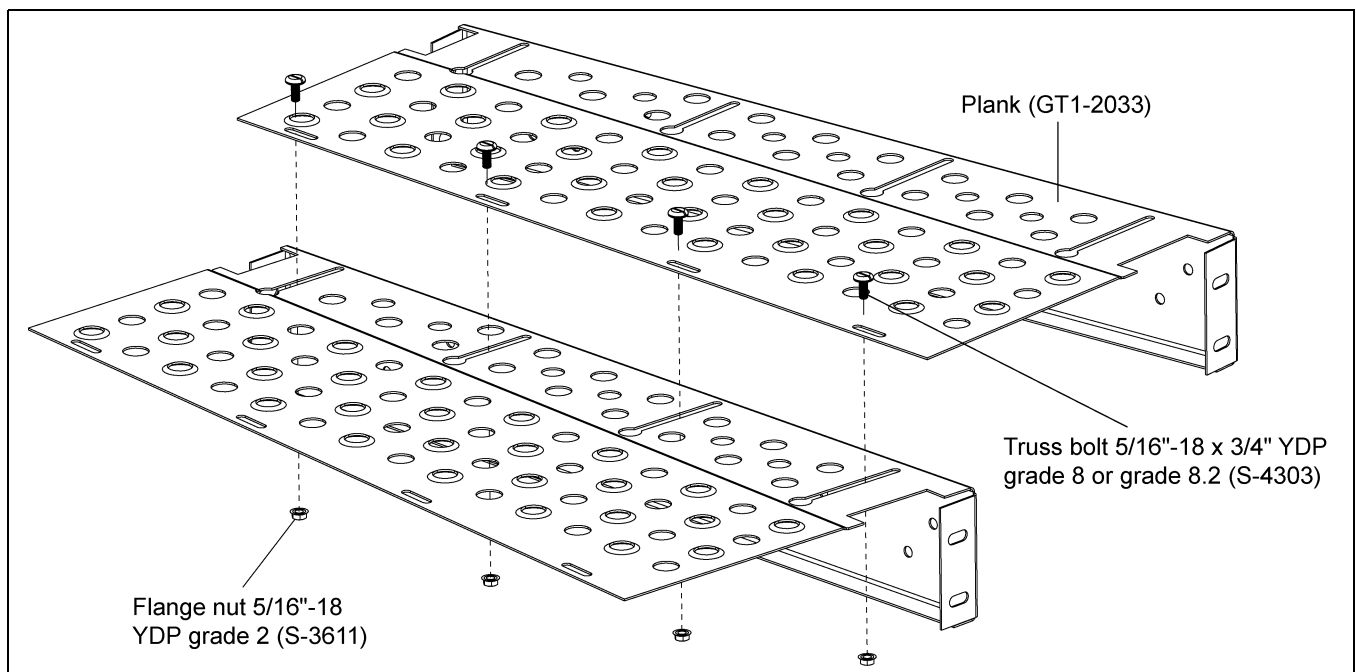


Figure 4M



## Installing Planks (GT1-2033) to Inner Toe Board (GT1-2035) (Continued)

5. Each plank should be overlapped at the edges and bolted with 5/16"-18 x 3/4" YDP grade 8 or grade 8.2 bolts (S-4303) and 5/16"-18 YDP grade 2 nuts (S-3611). (See Figure 4N.)

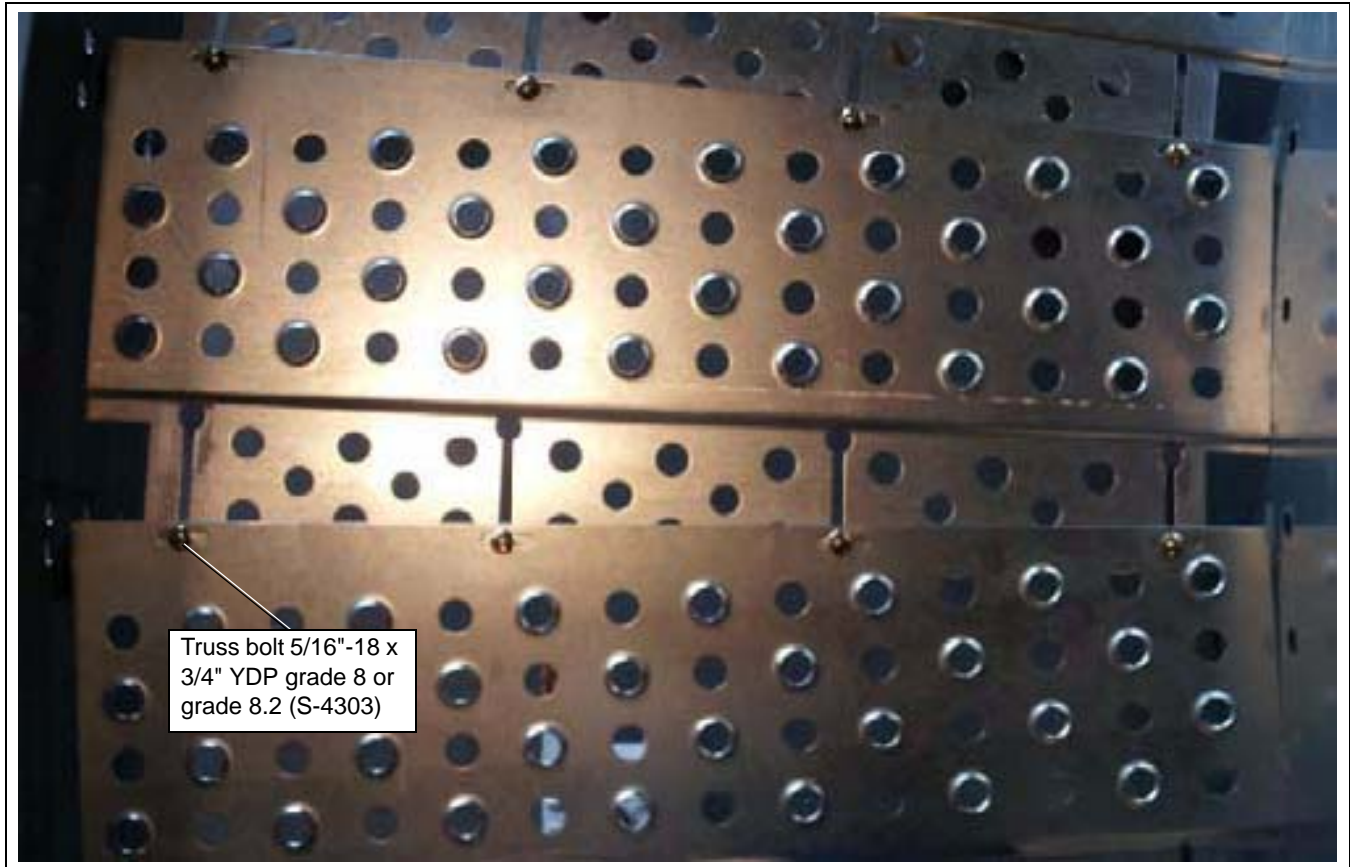


Figure 4N

## 4. 30' Outside Catwalk Installation Instructions

### Installing Plank Support (GT1-2086)

1. Once the planks are installed, install the plank support (GT1-2086) to the last plank (GT1-2033) and toe board (GT4-1465) using 5/16"-18 x 3/4" YDP grade 8 and grade 8.2 bolts (S-4303), 5/16"-18 YDP grade 2 nuts (S-3611) and flange bolts 3/8"-16 x 1" YDP grade 8 or grade 8.2 (S-7927).  
(See Figure 40.)

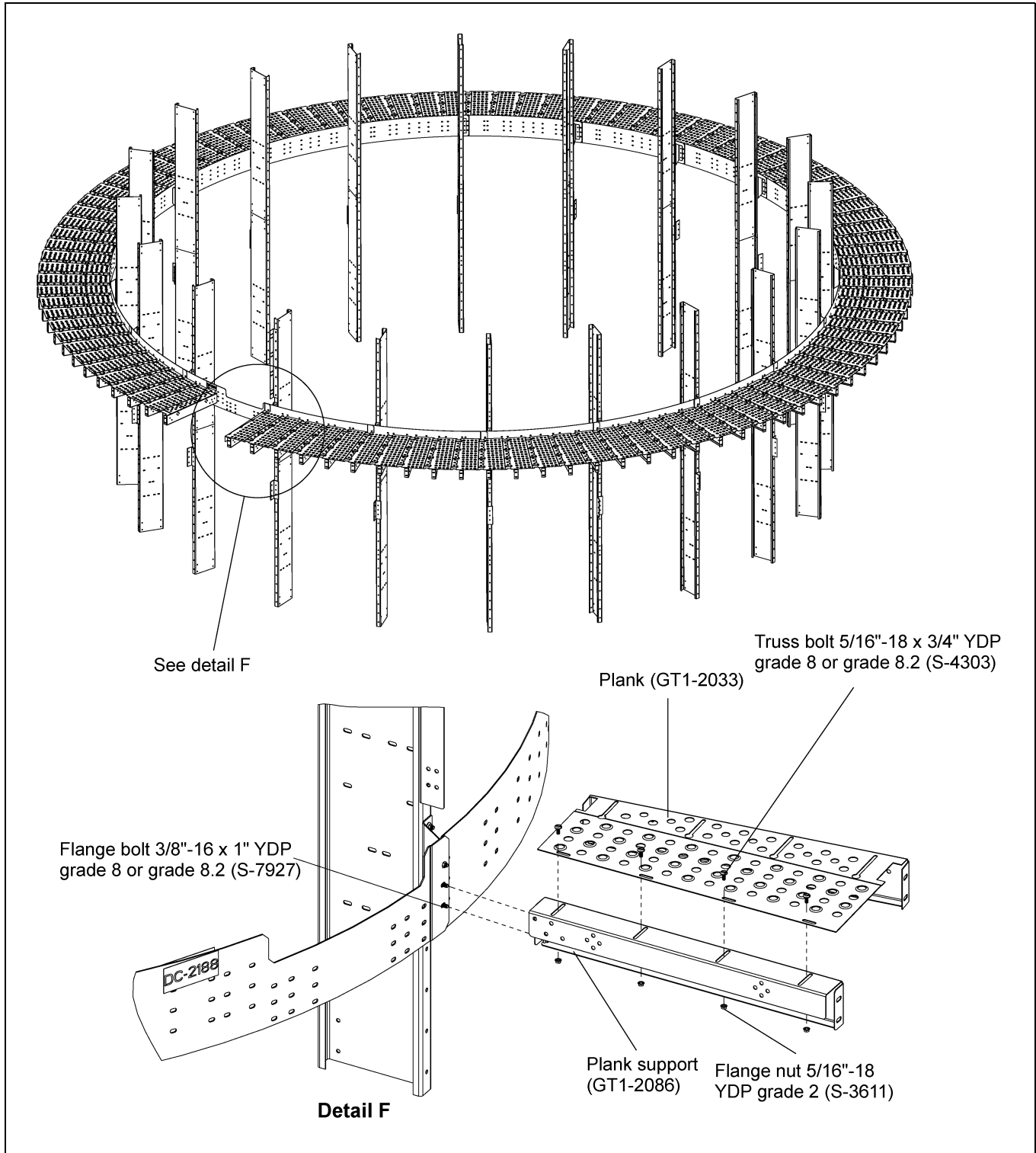


Figure 40

## Installing Knee Support (GT1-2039-BS)

1. Install the knee support (GT1-2039-BS) around the dryer between the catwalk support clips (GT1-2040-BS) and planks (GT1-2033) using 3/8"-16 x 1" YDP grade 8 or grade 8.2 bolts (S-7927) and 3/8"-16 ZN grade 5 nuts (S-968). (See Figure 4P and Figure 4Q.)

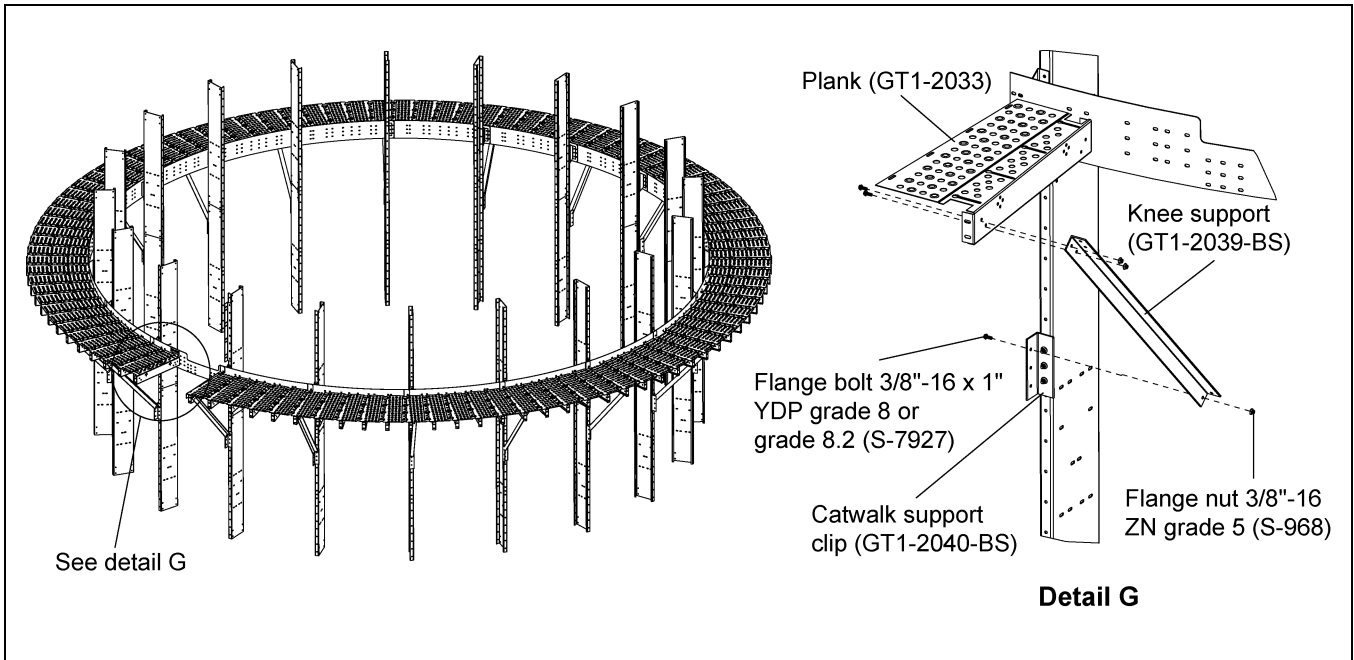


Figure 4P

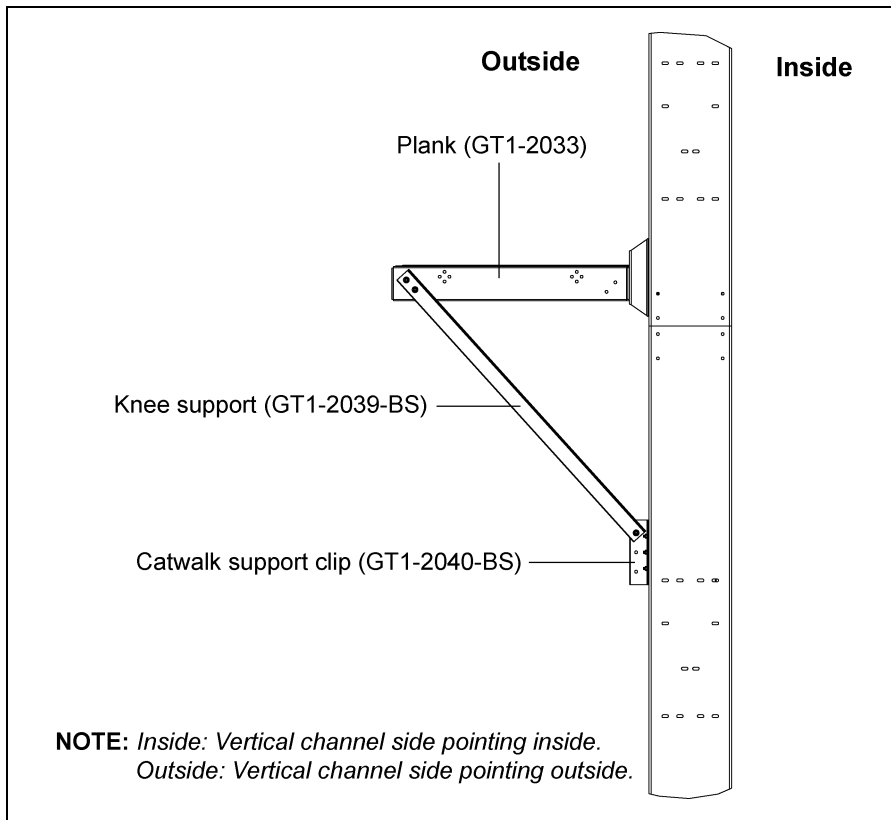


Figure 4Q

## 4. 30' Outside Catwalk Installation Instructions

### Installing Outer Toe Board (GT1-2034) and Catwalk Vertical Support (GT1-2037-BS)

1. Install all the outer toe boards (GT1-2034) to the planks (GT1-2033). (See Figure 4R.)
2. When installing the outer toe board with planks, install the catwalk vertical support (GT1-2037-BS) simultaneously at proper locations using 3/8"-16 x 1" YDP grade 8 or grade 8.2 bolts (S-7927) and 3/8"-16 ZN grade 5 nuts (S-968). (See Figure 4R.)

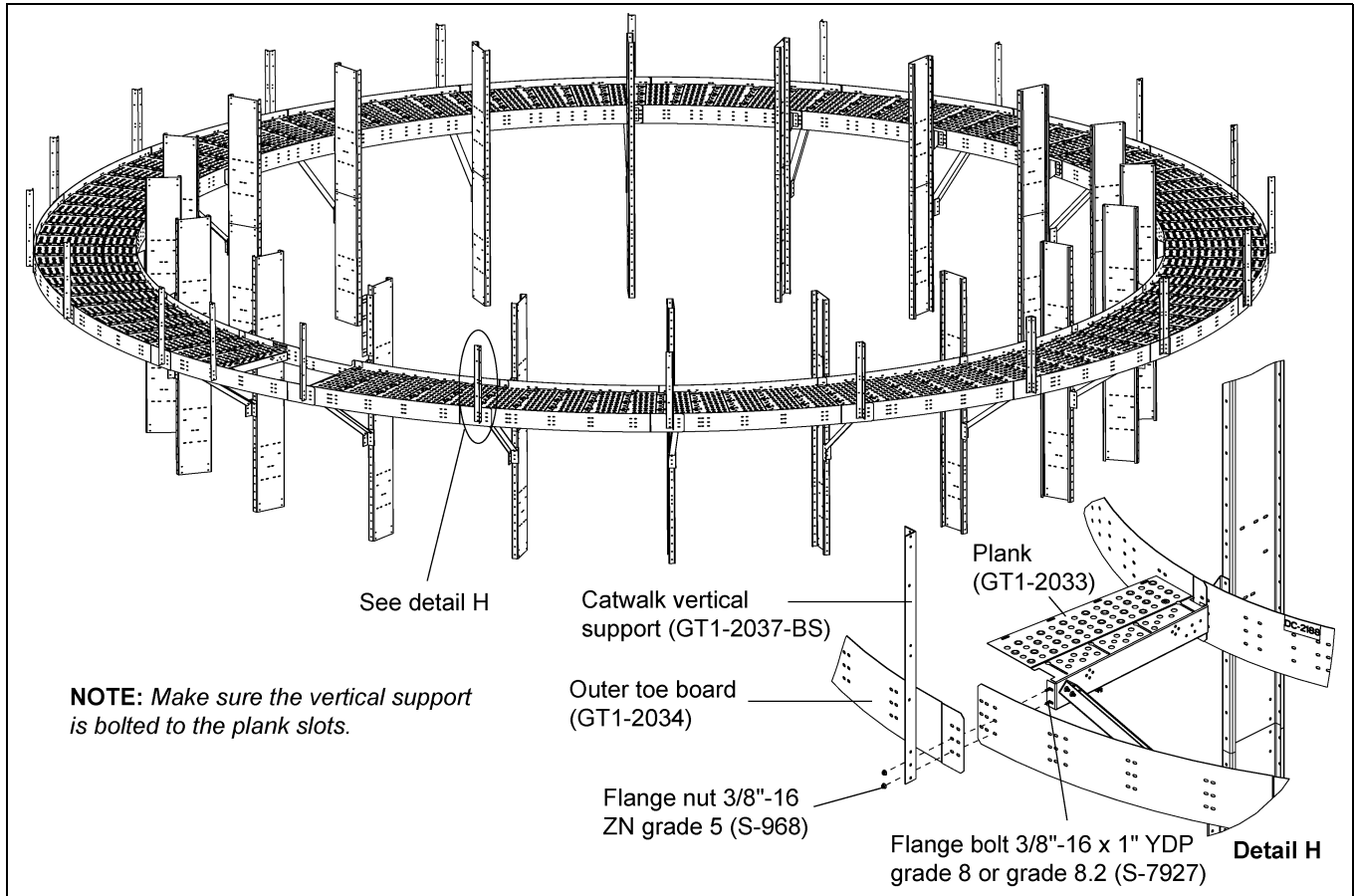


Figure 4R

3. Outer toe board (GT1-2034) is aligned and attached to the planks with the corresponding slots as shown in Figure 4S.

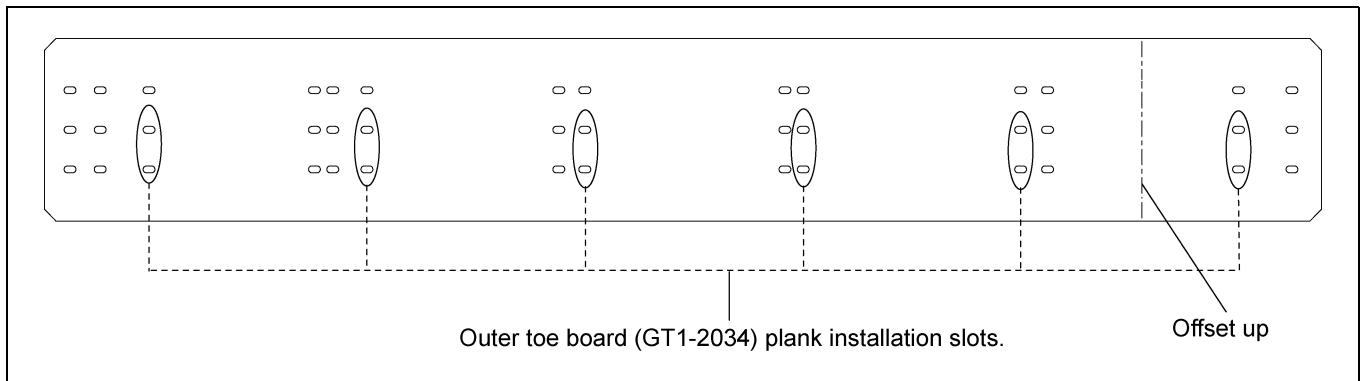


Figure 4S 30' Outer Toe Board (GT1-2034)

## Installing Handrails (GT1-2038-300)

1. Install the handrail (GT1-2038-300) to the catwalk vertical support (GT1-2037-BS) using 5/16"-18 ZN U-bolts (S-10171) and 5/16"-18 YDP grade 2 nuts (S-3611) to tighten the handrail with vertical post. (See Figure 4T.) (See Page 22.)

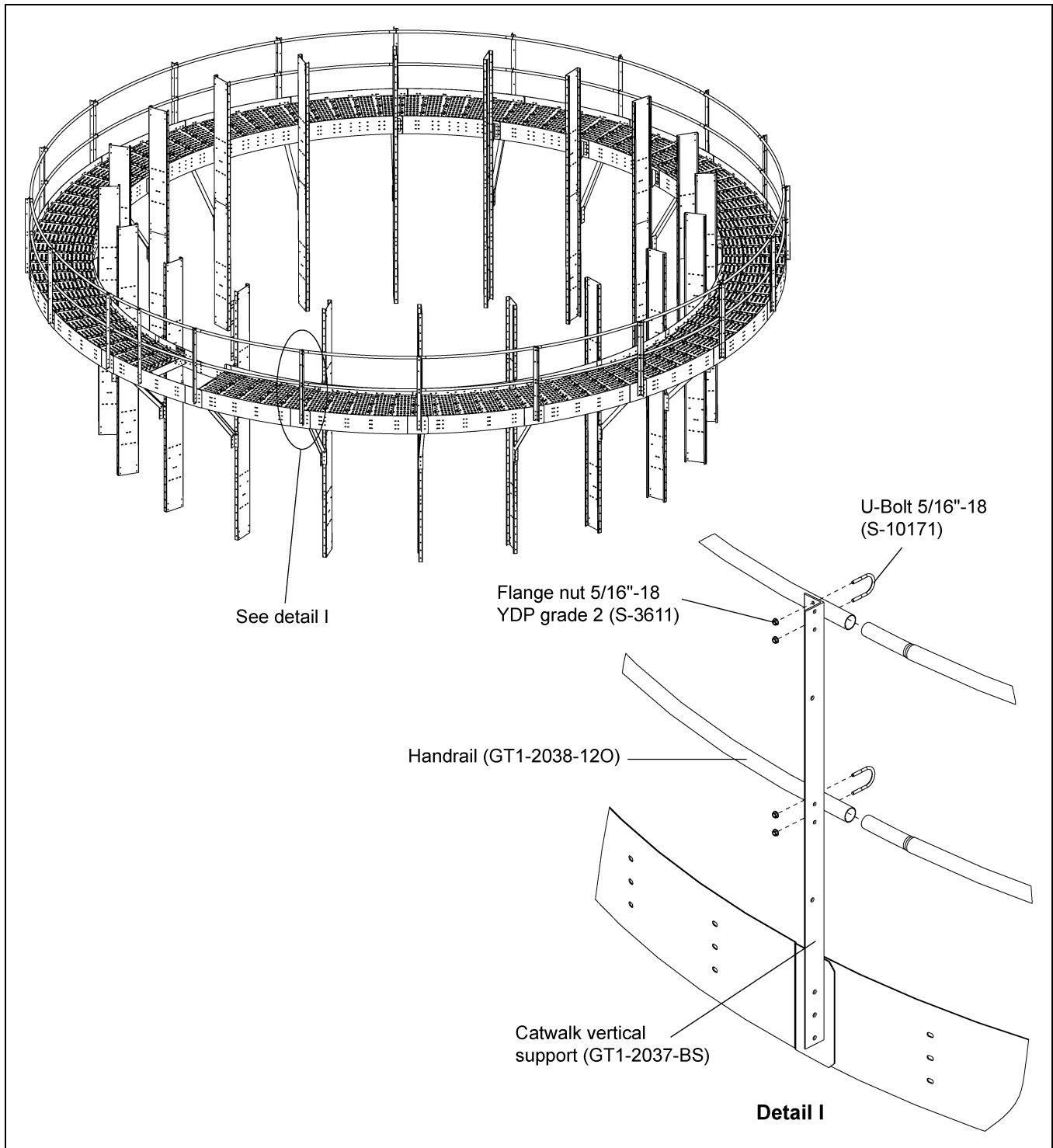


Figure 4T

### Installing Handrails (GT1-2038-30O) (Continued)



Figure 4U

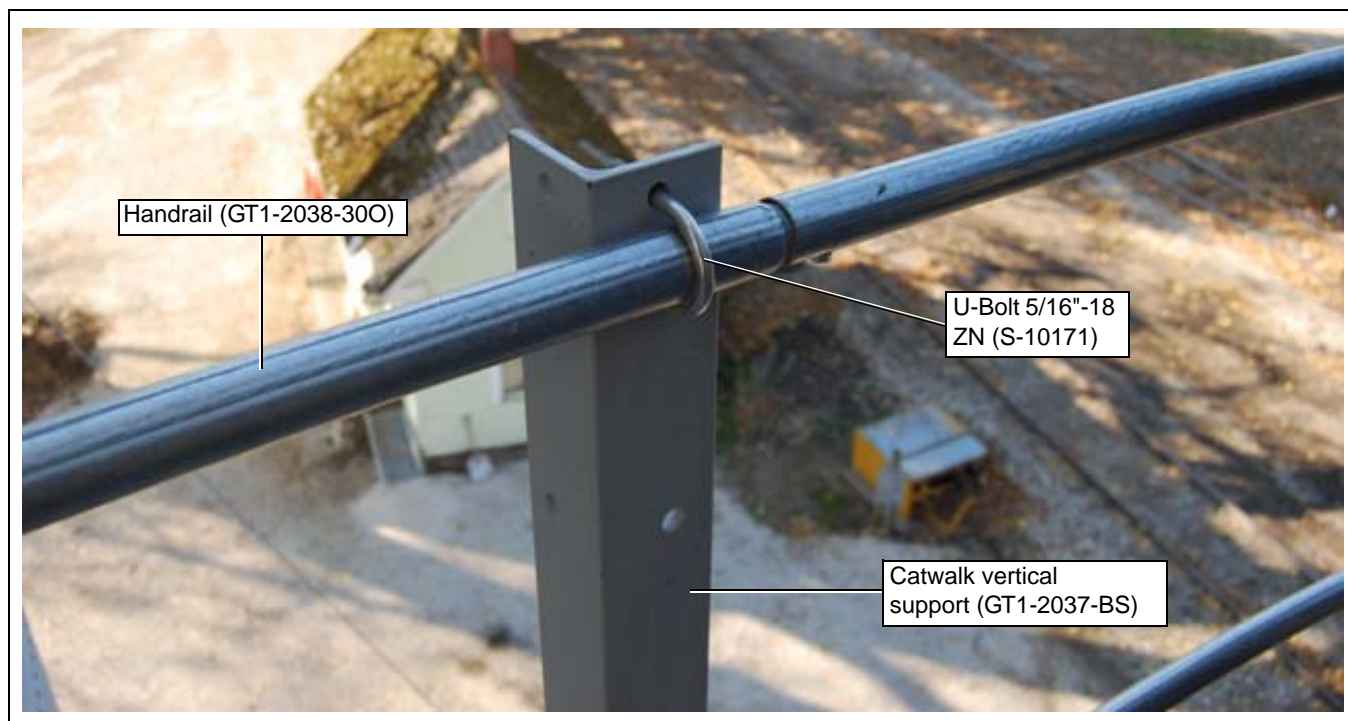
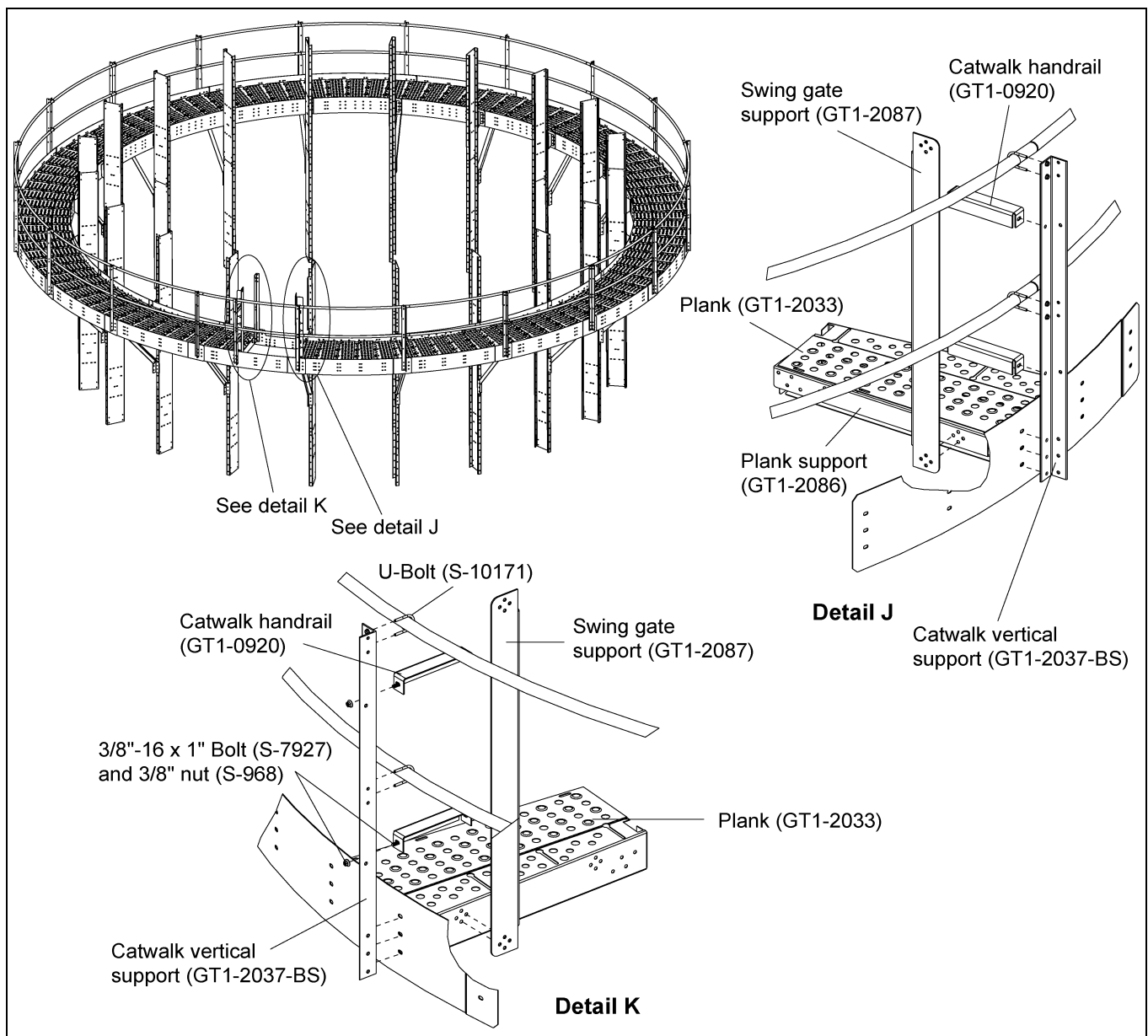


Figure 4V

### Installing Safety Gate (GT4-1455)

1. Install the swing gate support (GT1-2087) with the plank support (GT1-2086) using 3/8"-16 x 1" YDP grade 8 or grade 8.2 bolts (S-7927) and 3/8"-16 ZN grade 5 nuts (S-968). (See detail J in [Figure 4W](#).)
2. Install two (2) catwalk handrails (GT1-0920) between the swing gate support (GT1-2087) and the catwalk vertical support (GT1-2037-BS) using 3/8"-16 x 1" YDP grade 8 or grade 8.2 bolts (S-7927) and 3/8"-16 ZN grade 5 nuts (S-968). (See detail J in [Figure 4W](#).)
3. On the other side, install the swing gate support (GT1-2087) to the plank (GT1-2033) using 3/8"-16 x 1" YDP grade 8 or grade 8.2 bolts (S-7927) and 3/8"-16 ZN grade 5 nuts (S-968). (See detail K in [Figure 4W](#).)
4. Install two (2) catwalk handrails (GT1-0920) between the swing gate support (GT1-2087) and the catwalk vertical support (GT1-2037-BS) using 3/8"-16 x 1" YDP grade 8 or grade 8.2 bolts (S-7927) and 3/8"-16 ZN grade 5 nuts (S-968). (See detail K in [Figure 4W](#).)



**Figure 4W**





## Installing Ladder Bracket (GT1-2088)

1. Install the ladder bracket (GT1-2088) to the ladder opening toe board (GT4-1465) using 3/8"-16 x 1" YDP grade 8 or grade 8.2 bolts (S-7927) and 3/8"-16 ZN grade 5 nuts (S-968). (See Figure 4Y.)

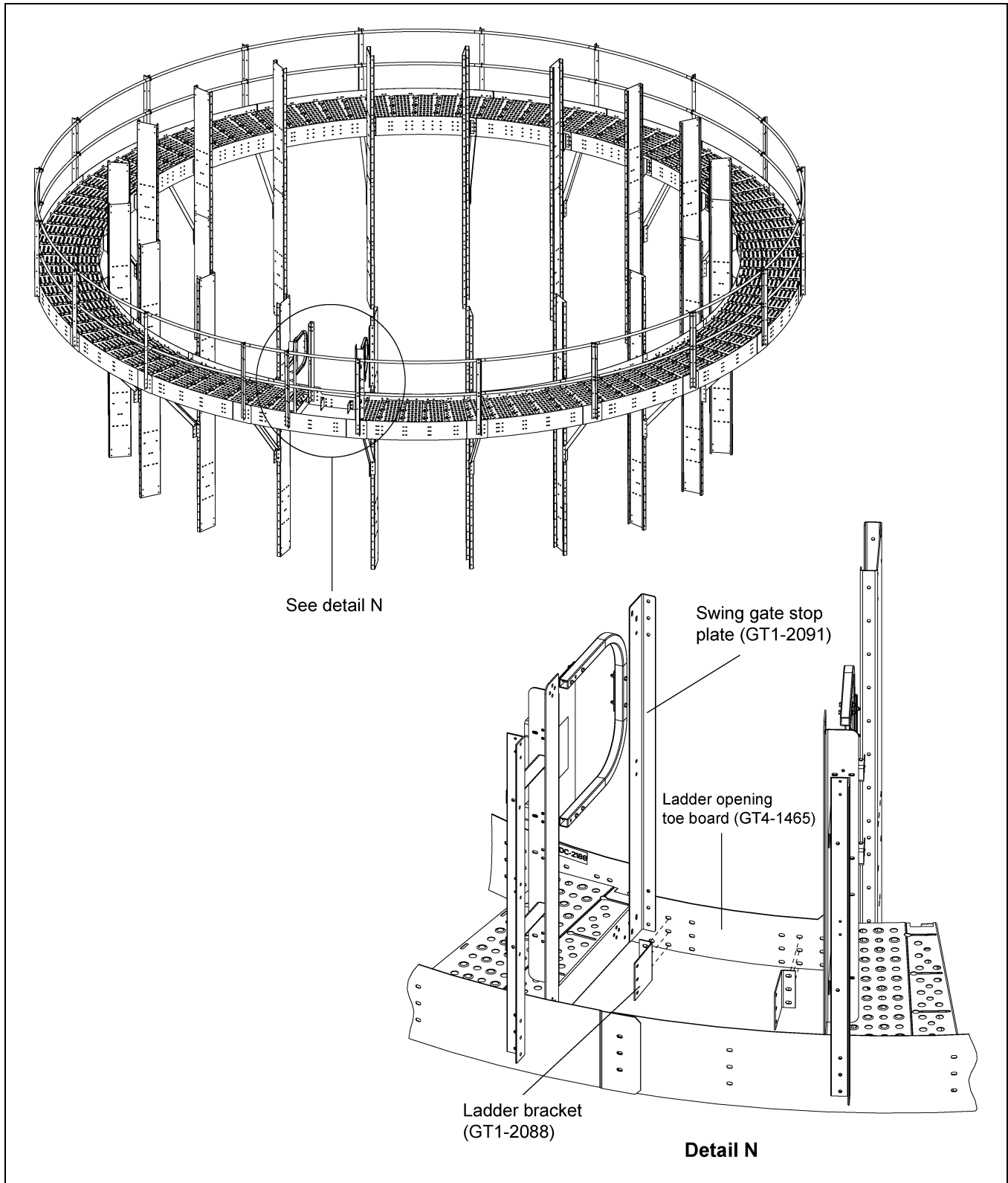


Figure 4Y

## 4. 30' Outside Catwalk Installation Instructions

### Installing Planks at Jack Pole Locations

Once catwalk is lifted above the jack poles, install the planks at jack pole locations from top using 5/16"-18 x 3/4" YPD grade 8 or grade 8.2 bolts (S-4303) and retainer nuts (090-1709-6). (See [Figure 4Z.](#))



Figure 4Z

1. Insert the retainer nut (090-1709-6) to the rounded edge of the plank slot and slide it to the proper position as shown in the detail O of [Figure 4AA.](#)
2. Place the following plank over the installed plank and bolt to the retainer nut (090-1709-6) using 5/16"-18 x 3/4" bolt (S-4303) as shown in the detail P of [Figure 4AA.](#)

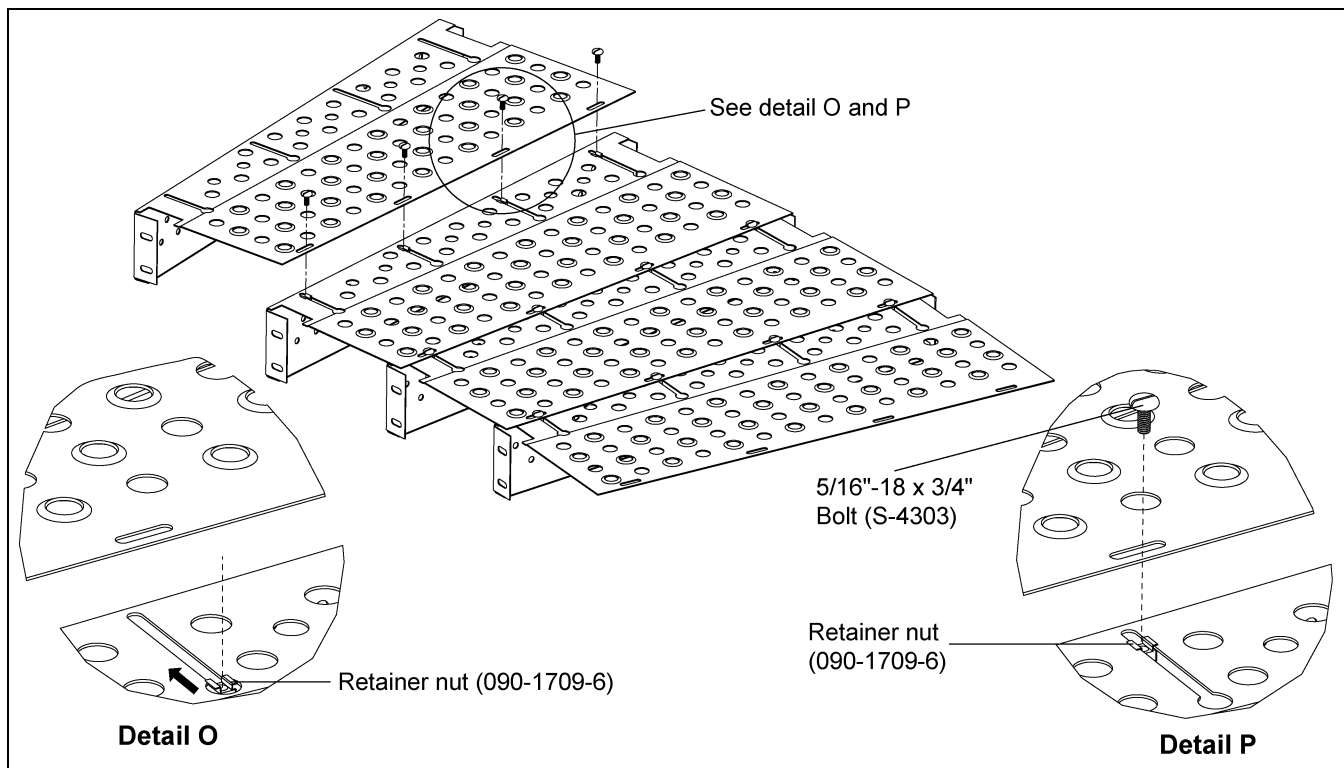


Figure 4AA

### Installing Planks at Jack Pole Locations (Continued)

3. Install the holding plate (GT1-2144) (pre-assembled with two (2) extruded nuts (S-10175)) to the proper slots in the toe board and hand tight using 3/8"-16 x 1" YDP grade 8 or grade 8.2 bolt (S-7927) and 3/8"-16 ZN grade 5 nut (S-968). (See Figure 4AB.)
4. Now adjust the plank to align with the slot and bolt from outside the toe board. (See Figure 4AB.)

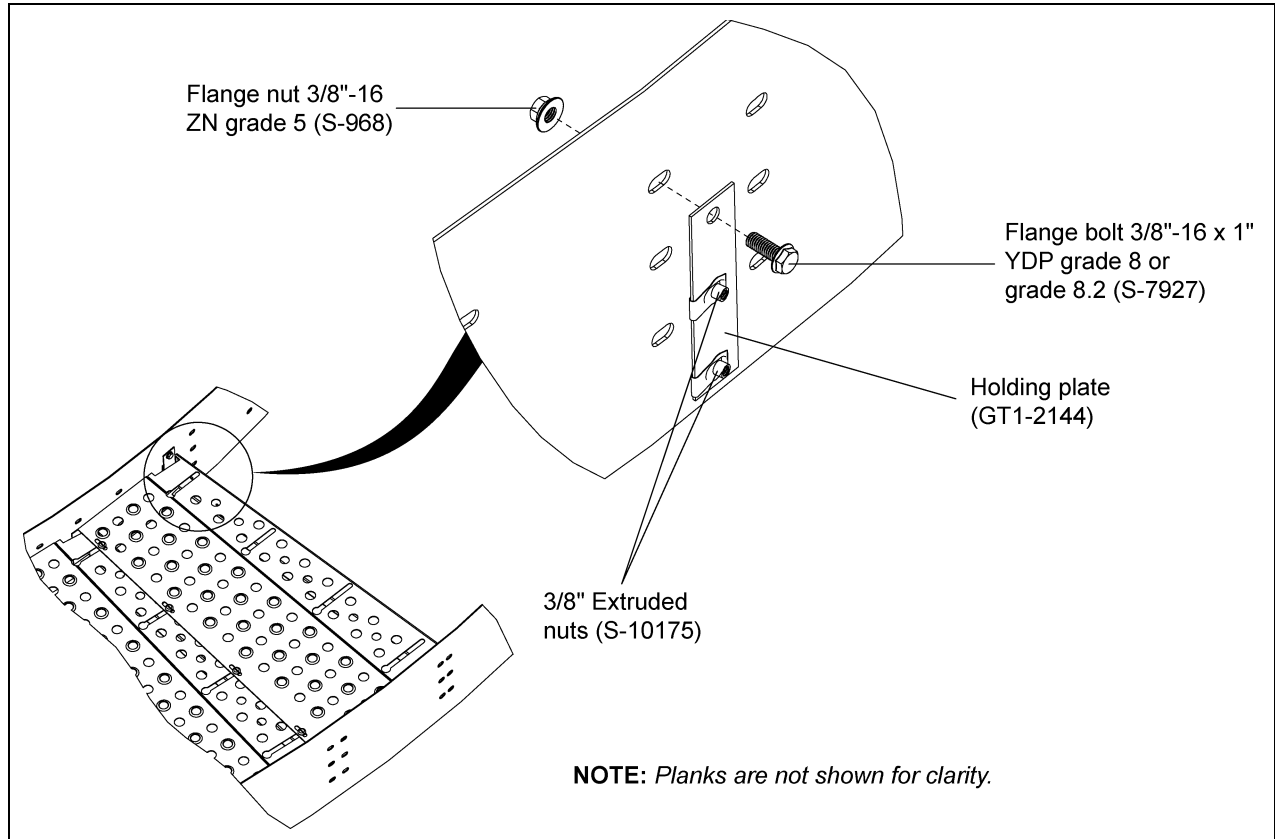


Figure 4AB



Figure 4AC

# 4. 30' Outside Catwalk Installation Instructions

## Outside Catwalk Walk Surface

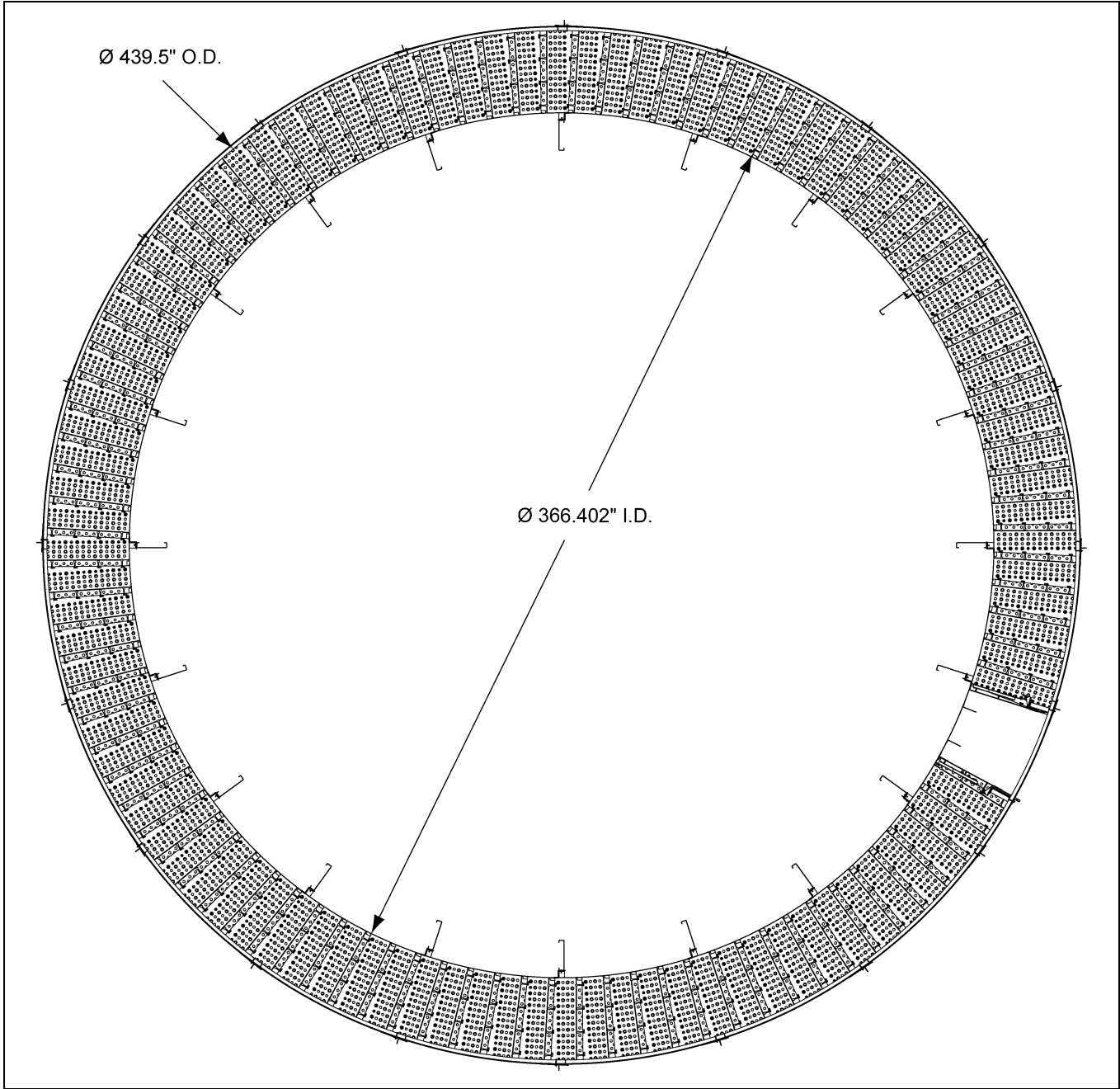


Figure 4AD



# **30' Inside Fan Style Catwalk Assembly Instructions (GT4-1043-30F)**

## 5. 30' Inside Catwalk Installation Instructions

### Installing Z-Clips (GT1-2036)

1. Bolt Z-clip (GT1-2036) to all vertical channels (GT1-0001). The Z-clip can be installed on each vertical channel as the inner wall sheets are installed using 3/8"-16 x 1" YDP grade 8 or grade 8.2 bolts (S-7927) and 3/8"-16 ZN grade 5 nut (S-968). (See Figure 5A.)

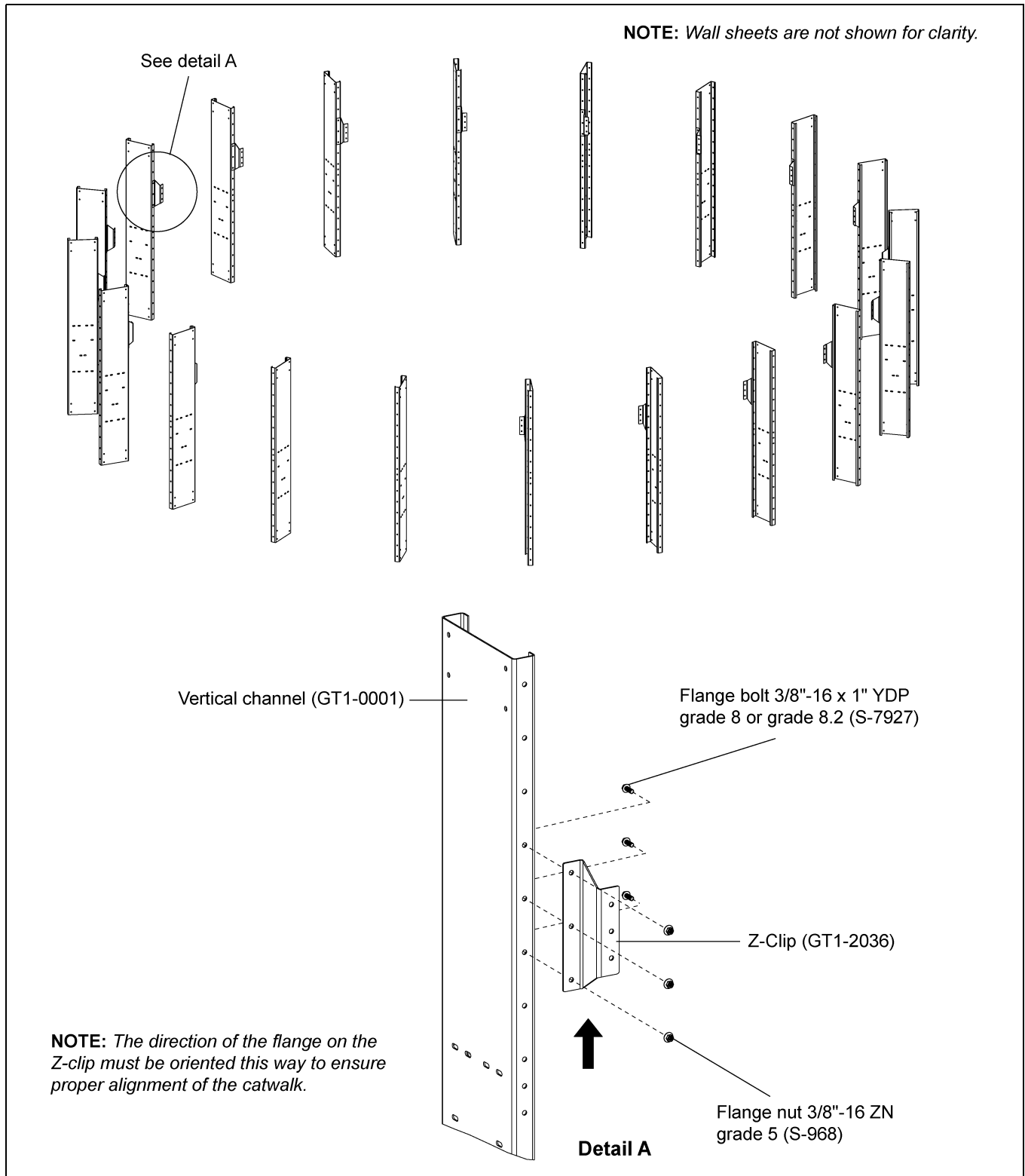


Figure 5A

## Installing Catwalk Support Clip (GT1-2040-BS)

1. Install catwalk support clips (GT1-2040-BS) to vertical channels (GT1-0001). Support clip can be installed on each vertical channel as the inner wall sheets are installed using 3/8"-16 x 1" YDP grade 8 or grade 8.2 bolts (S-7927) and 3/8"-16 ZN grade 5 nut (S-968). (See Figure 5B.)
2. The distance between the Z-clip and support clip 30' inside catwalk is 31-1/2". (See Figure 5C.)

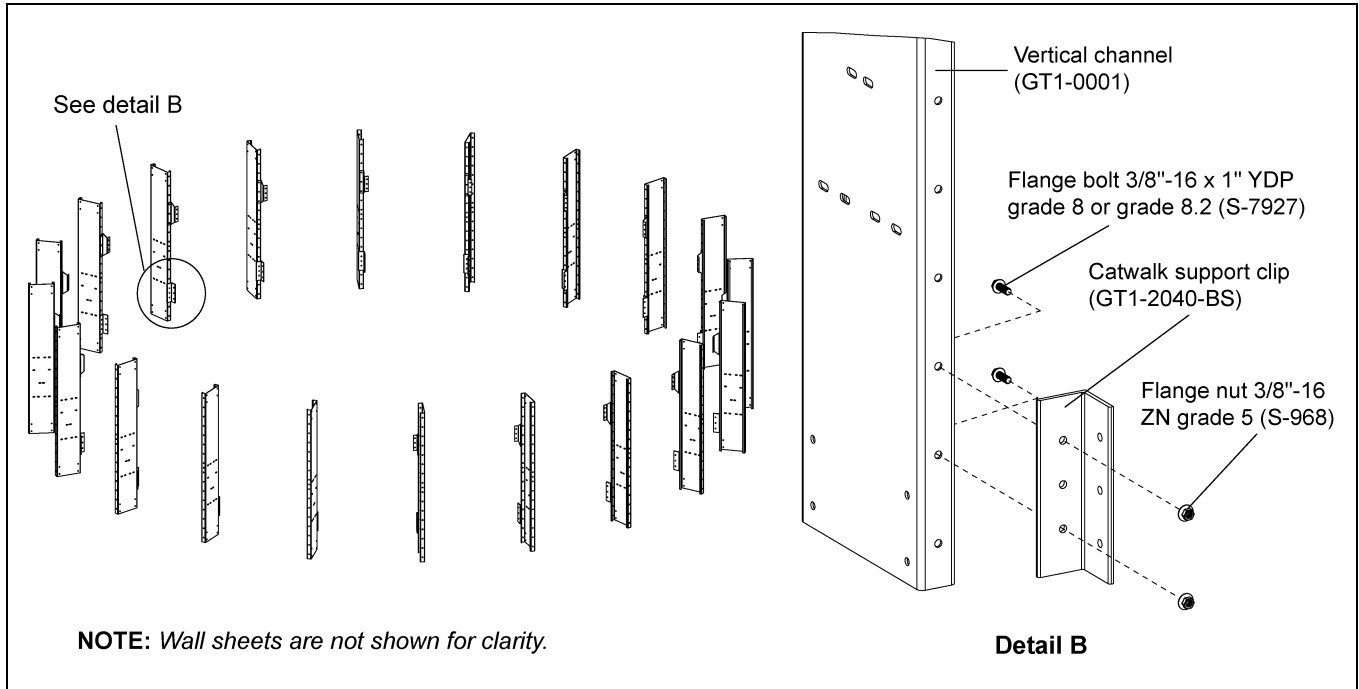


Figure 5B

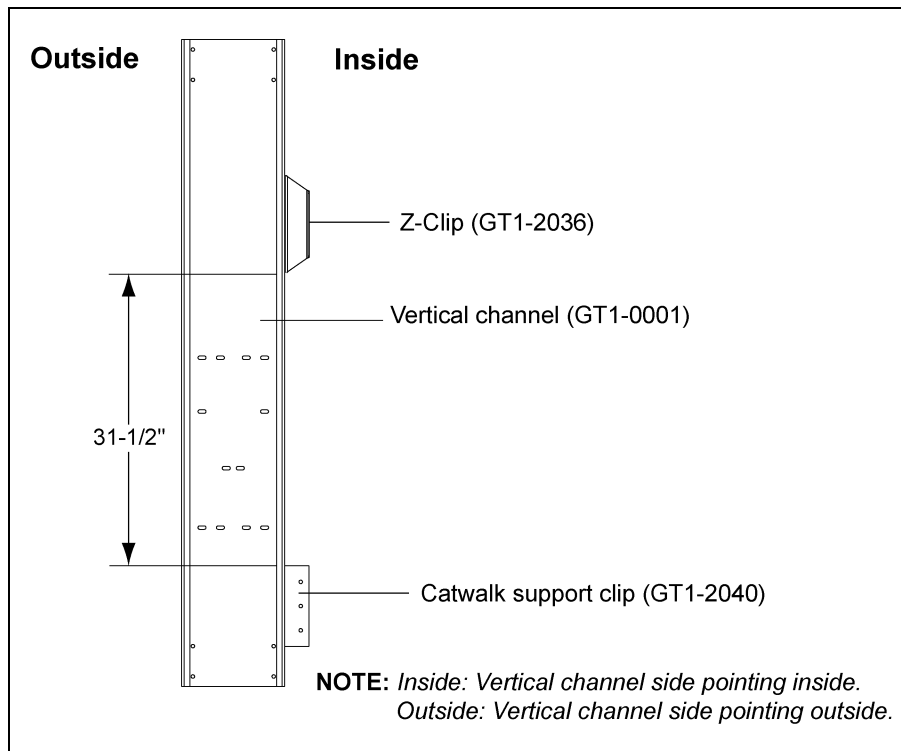


Figure 5C

## 5. 30' Inside Catwalk Installation Instructions

### Installing Outer Toe Board (GT1-2062)

1. Install the outer toe board (GT1-2062) to the Z-clips (GT1-2036). All toe boards should be installed between the Z-clips using 3/8"-16 x 1" YDP grade 8 or grade 8.2 bolts (S-7927) and 3/8"-16 ZN grade 5 nuts (S-968). (See Figure 5D.)

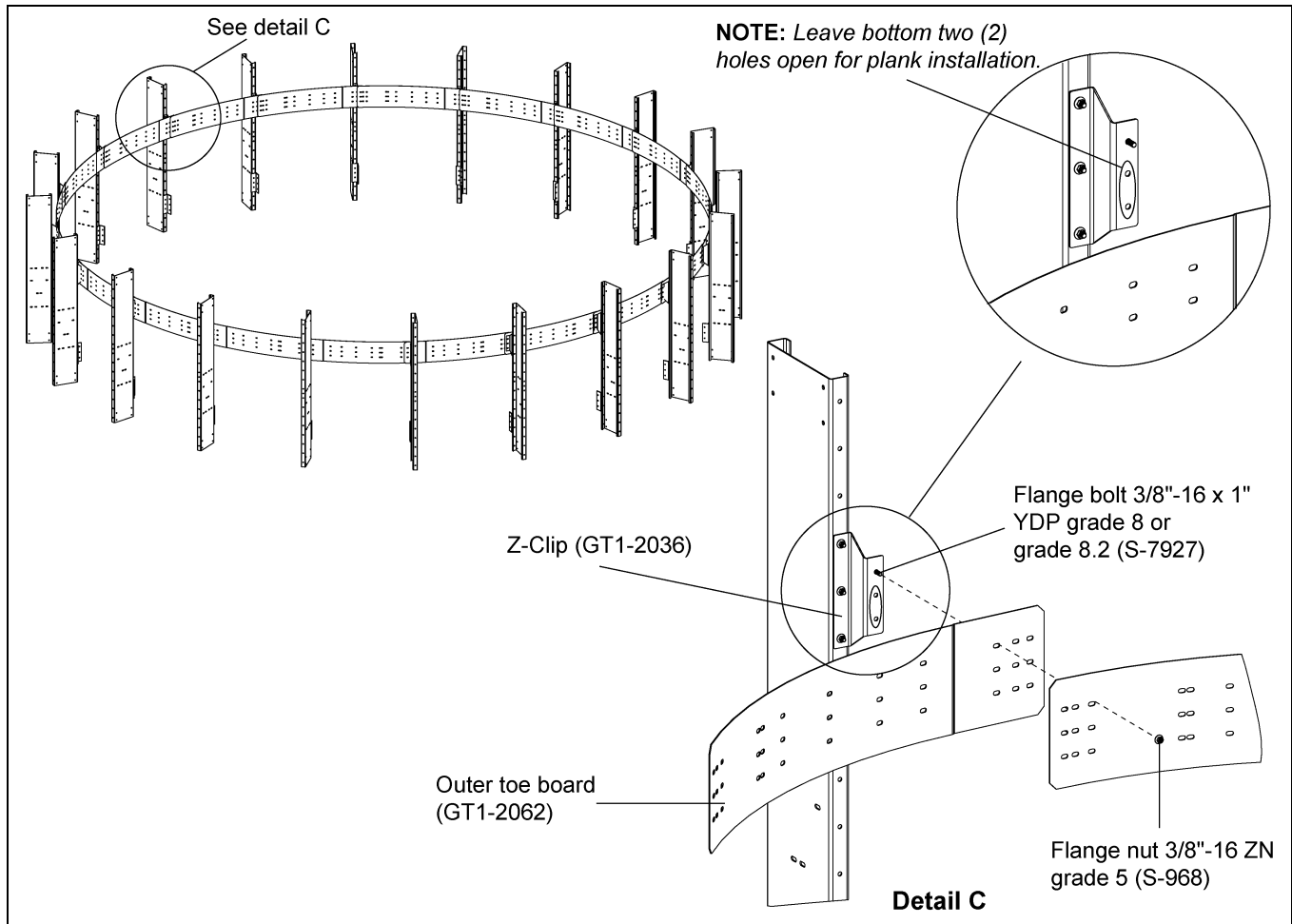


Figure 5D

2. Outer toe board is arranged with overlap slots on each side. Install 30' outer toe boards (GT1-2062) to corresponding slots as shown in Figure 5E.

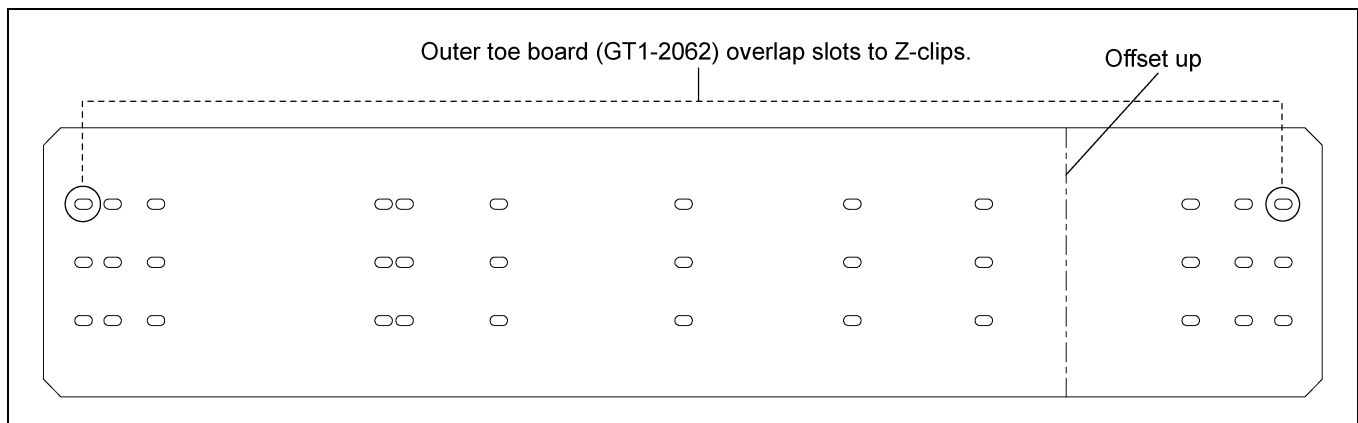


Figure 5E 30' Outer Toe Board (GT1-2062)



## Installing Planks (GT1-2060) to Outer Toe Board (GT1-2062)

1. Install the planks (GT1-2060) to the outer toe board (GT1-2062) using 3/8"-16 x 1" YDP grade 8 or grade 8.2 bolts (S-7927) and 3/8"-16 ZN grade 5 nut (S-968). (See Figure 5F.)

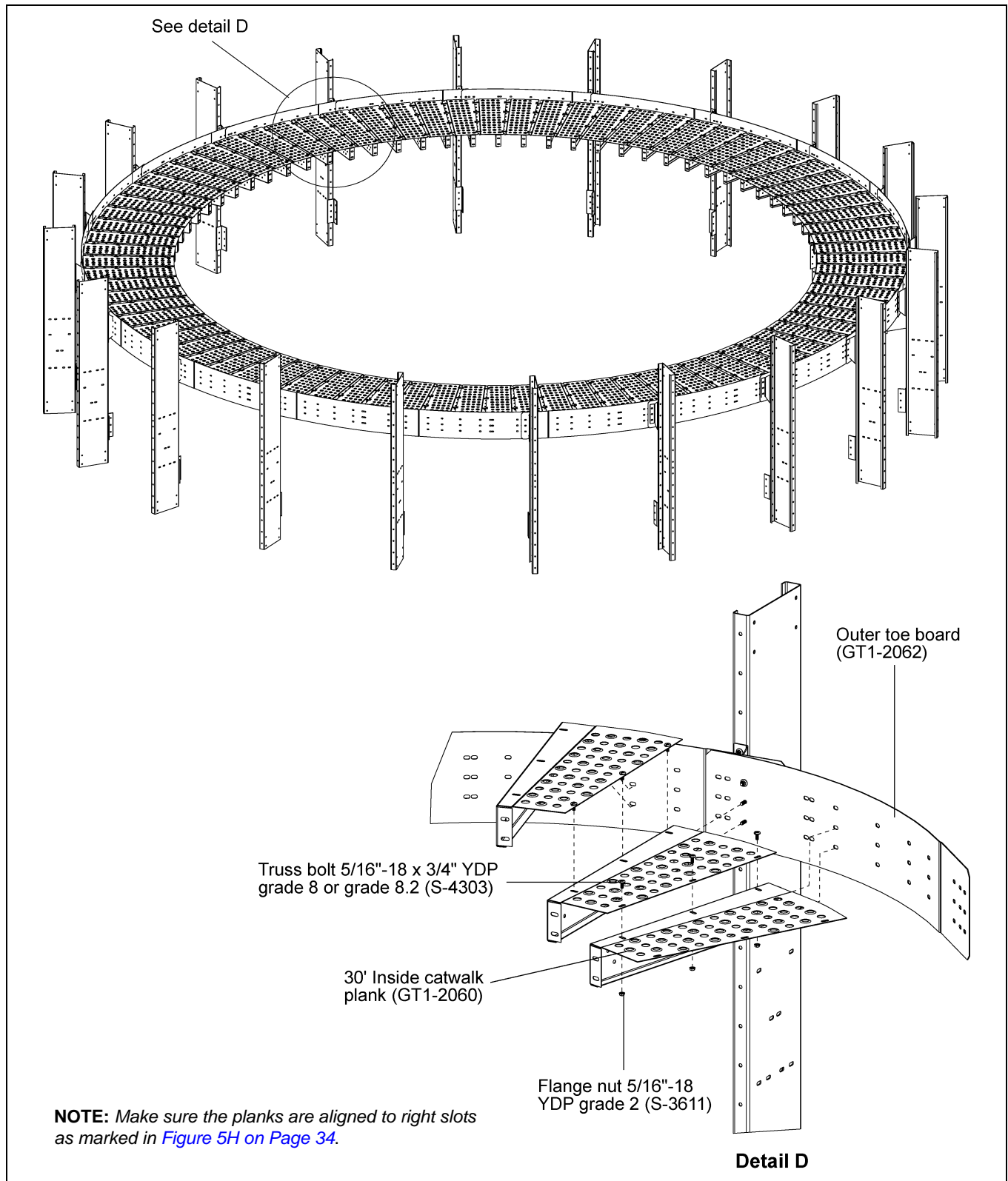
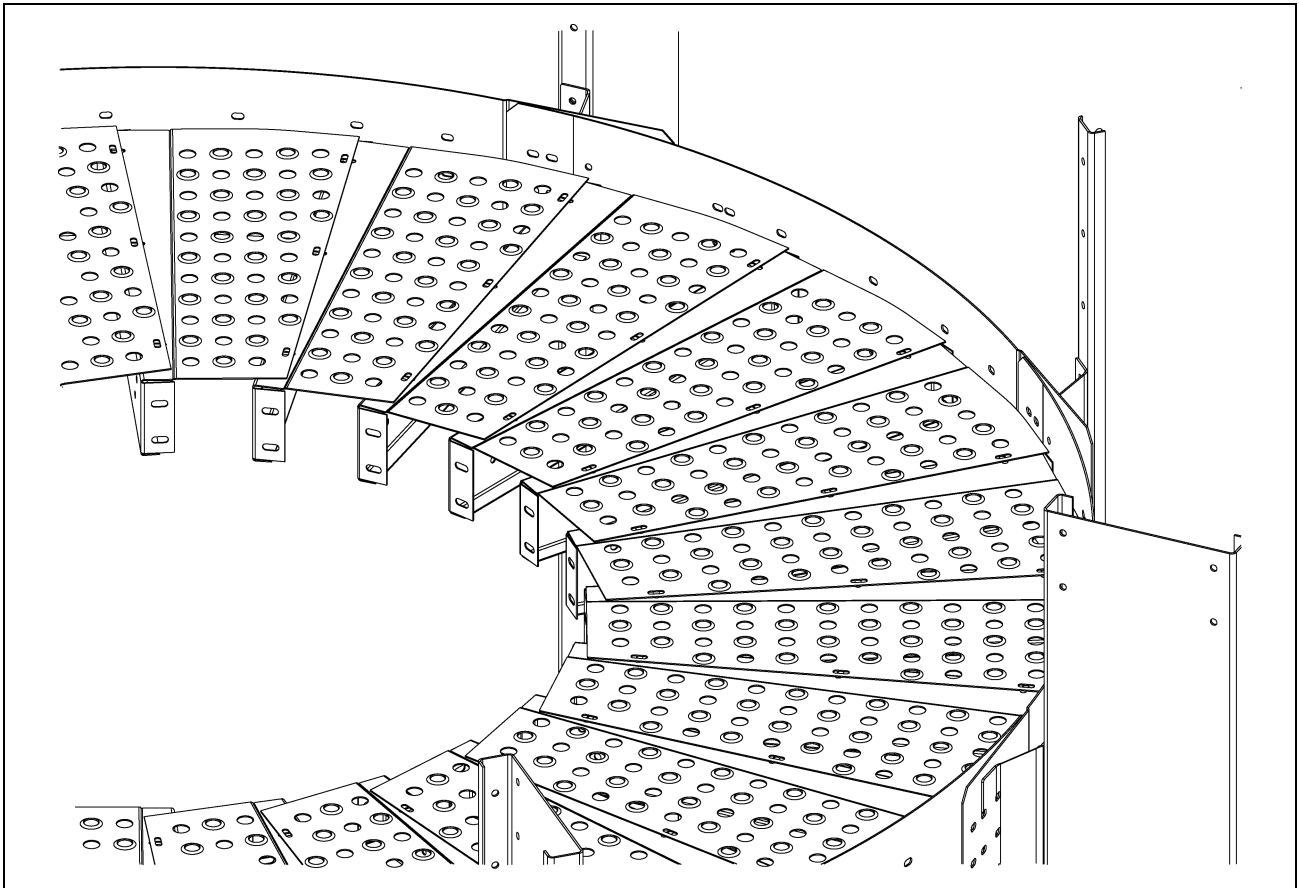


Figure 5F

## 5. 30' Inside Catwalk Installation Instructions

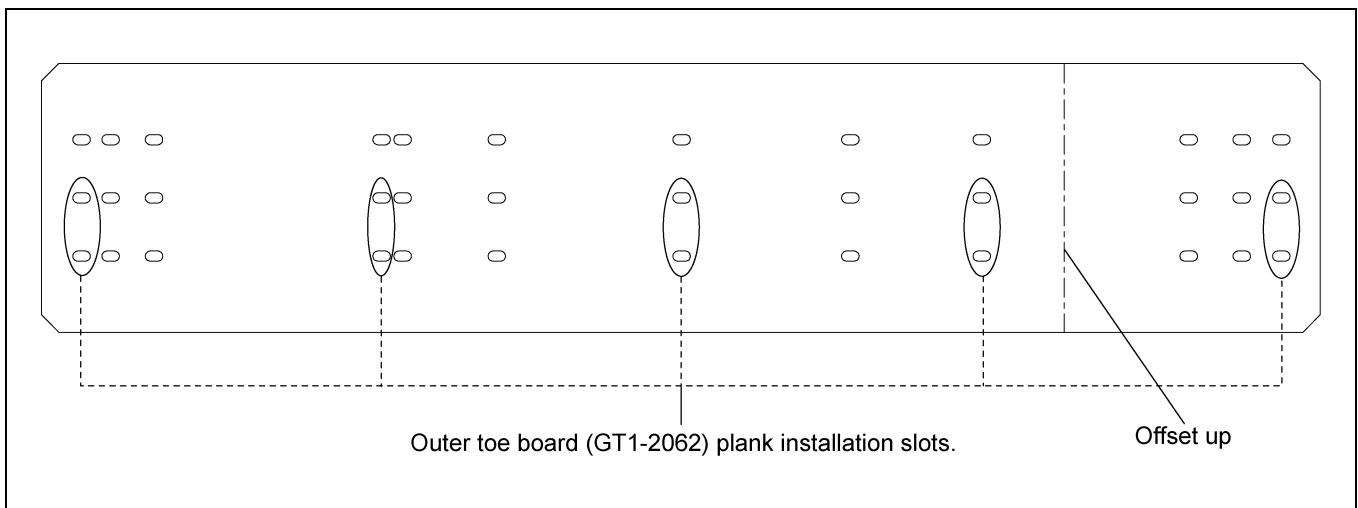
### Installing Planks (GT1-2060) to Outer Toe Board (GT1-2062) (Continued)

2. Install all the planks (GT1-2060) continuously around the dryer. (See [Figure 5G.](#))



**Figure 5G**

3. Outer toe board (GT1-2062) is arranged with various slots to install plank. Install planks to corresponding slots as shown in [Figure 5H.](#)



**Figure 5H 30' Outer Toe Board (GT1-2062)**

## Installing Knee Support (GT1-2039-BS)

1. Install the knee support (GT1-2039-BS) around the dryer between the catwalk support clips (GT1-2040-BS) and planks (GT1-2060) using 3/8"-16 x 1" YDP grade 8 or grade 8.2 bolts (S-7927) and 3/8"-16 ZN grade 5 nuts (S-968). (See Figure 5I.)

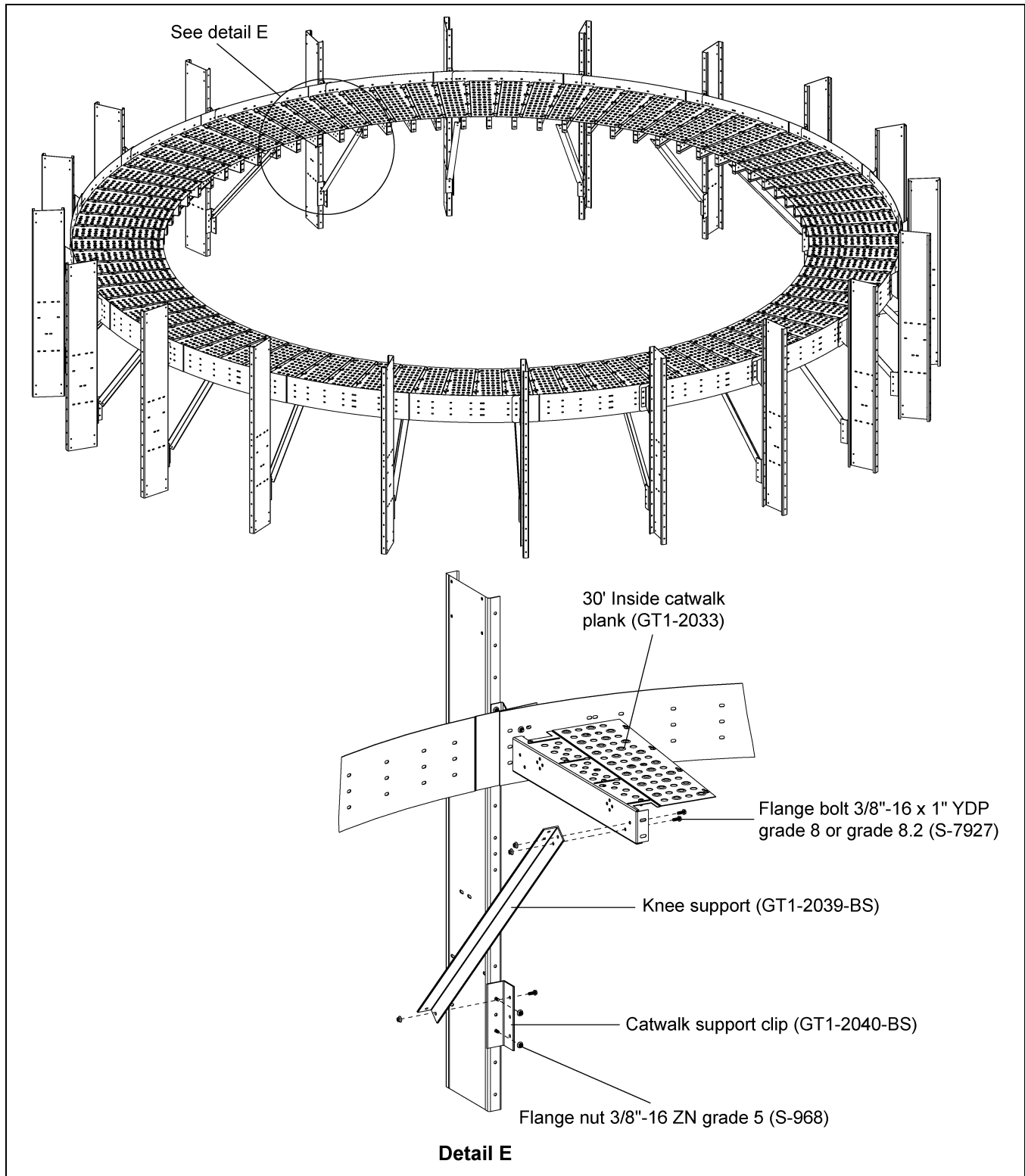


Figure 5I

## 5. 30' Inside Catwalk Installation Instructions

### Installing Inner Toe Board (GT1-2061) and Catwalk Vertical Support (GT1-2037-BS)

1. Install all the inner toe boards (GT1-2061) to the planks (GT1-2060). (See Figure 5J.)
2. When installing the inner toe board with planks, install the catwalk vertical support (GT1-2037-BS) simultaneously at proper locations using 3/8"-16 x 1" YDP grade 8 or grade 8.2 bolts (S-7927) and 3/8"-16 ZN grade 5 nut (S-968). (See Figure 5J.)

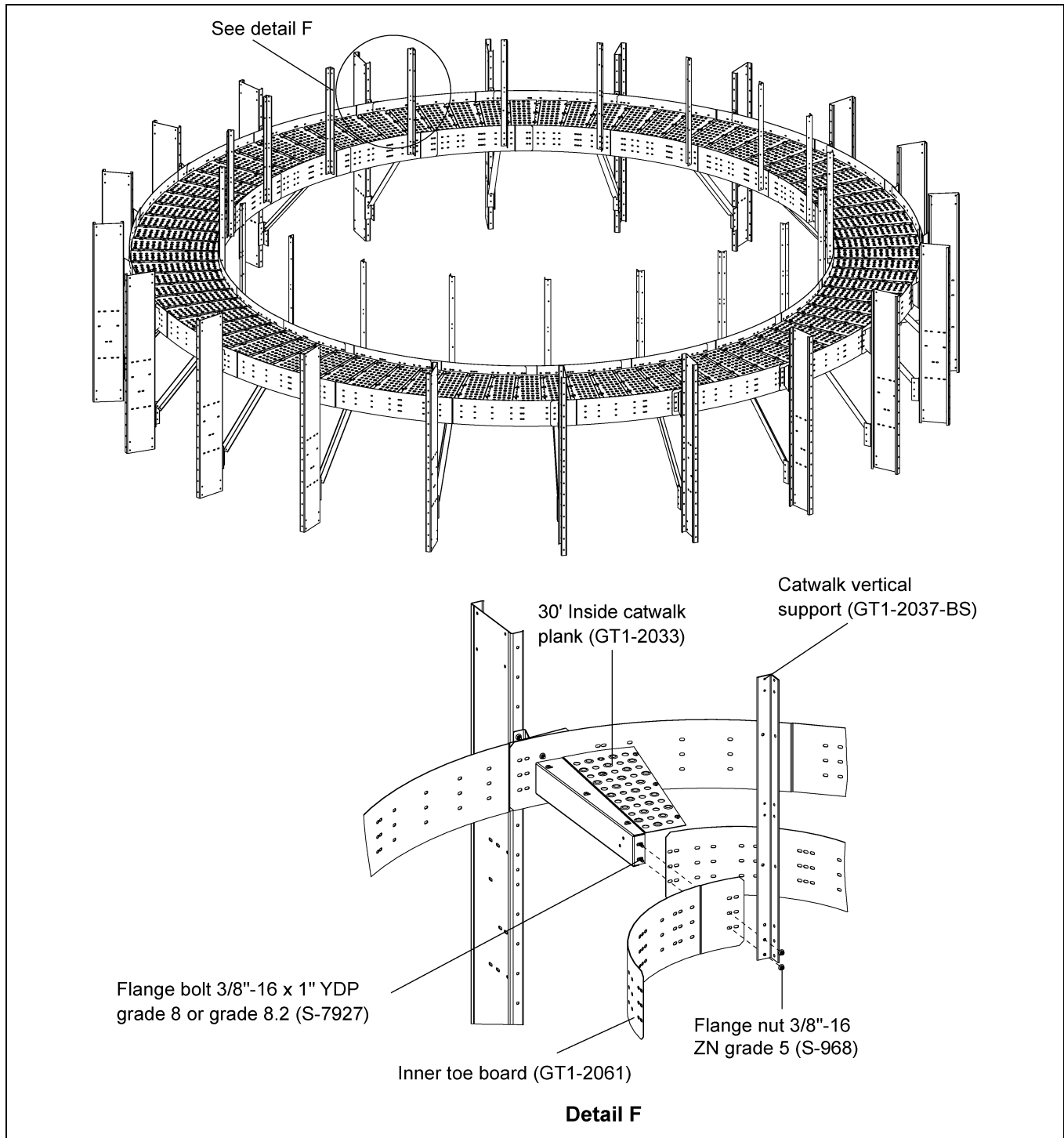
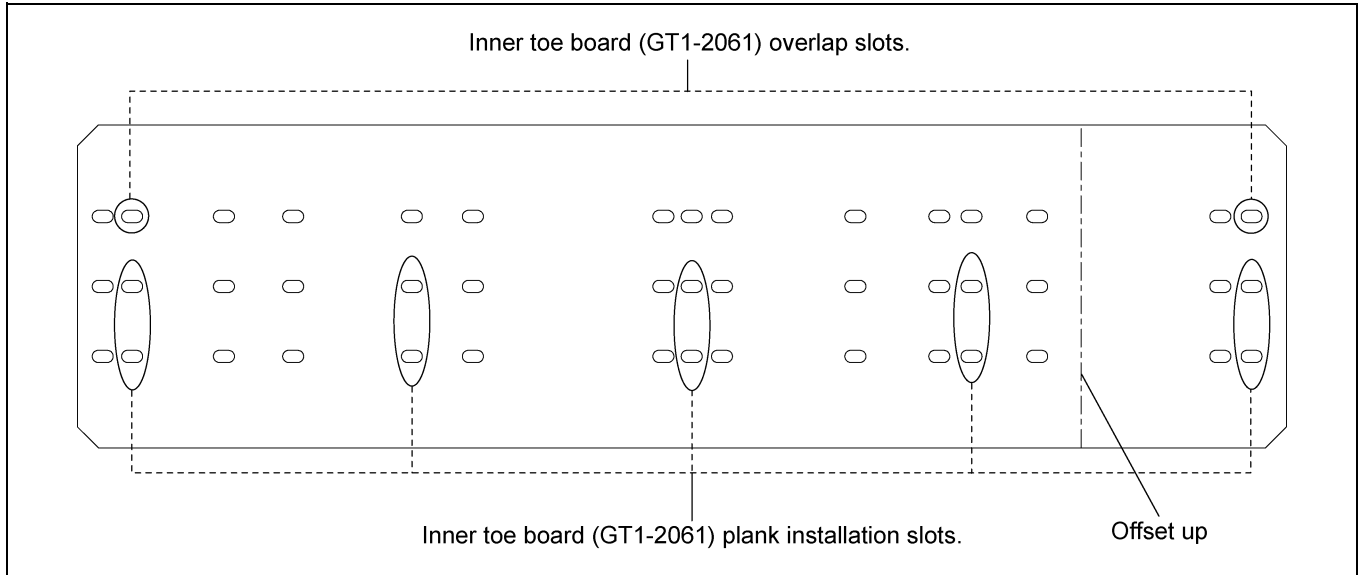


Figure 5J

## Installing Inner Toe Board (GT1-2061) and Catwalk Vertical Support (GT1-2037-BS) (Continued)

3. Inner toe board is arranged with overlap slots on each side and plank installation slots. Install 30' inner toe boards (GT1-2061) to corresponding overlap and plank installation slots as shown in [Figure 5K](#).



**Figure 5K** 30' Inner Toe Board (GT1-2061)

## 5. 30' Inside Catwalk Installation Instructions

### Installing Handrail (GT1-2038-12I)

1. Install the handrail (GT1-2038-12I) to the catwalk vertical support (GT1-2037-BS) using 5/16"-18 ZN U-bolts (S-10171) and 5/16"-18 YDP grade 2 nut (S-3611) to tighten the handrail with vertical post. (See [Figure 5L](#) and [Figure 5M](#).)

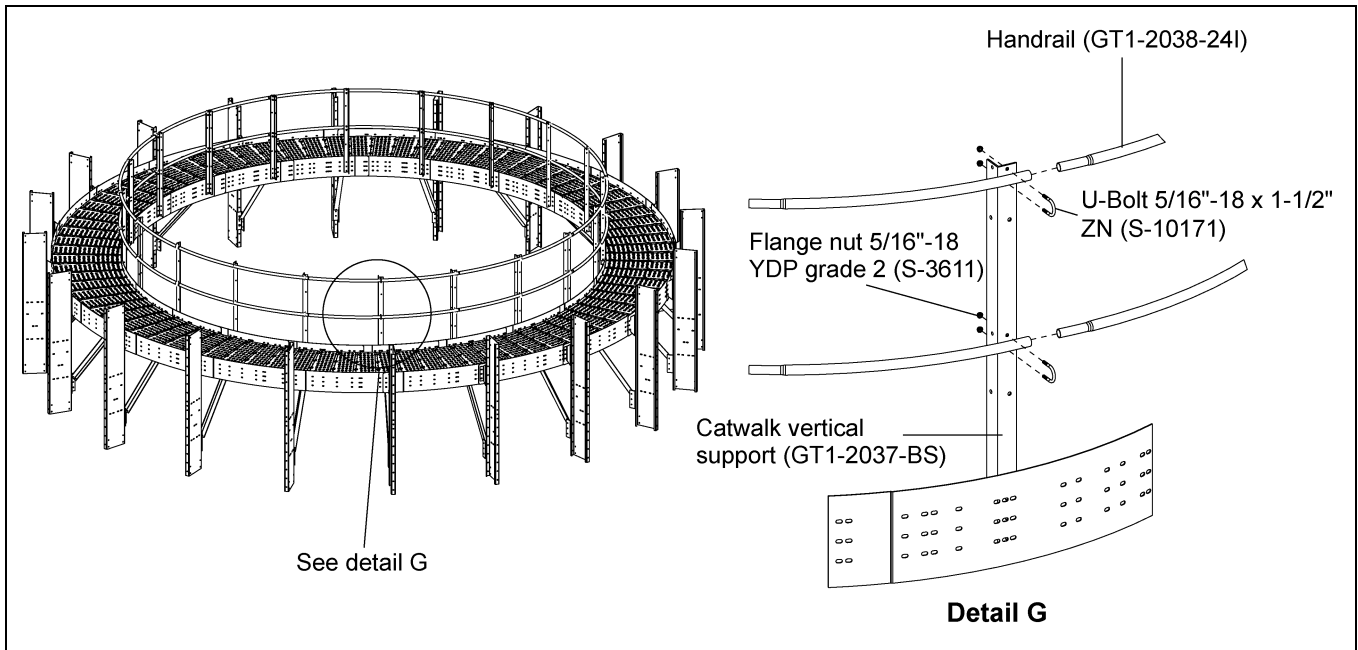


Figure 5L



Figure 5M

# Inside Catwalk Walk Surface

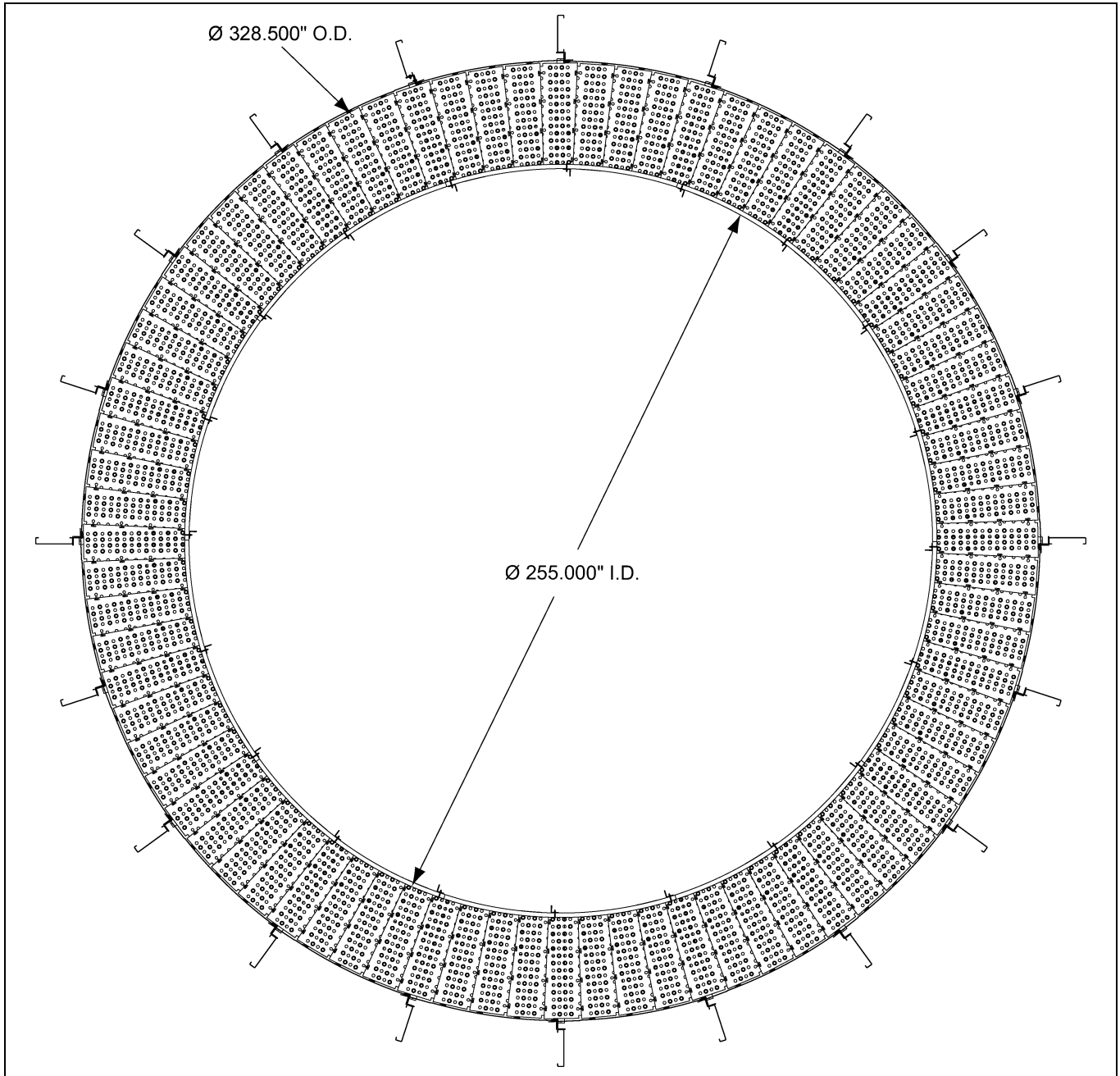


Figure 5N

---

# NOTES





**30' Offset (GT4-1047-30F)  
and Roof Hatch (GT4-1051-30F)  
Fan Style Platform Assembly  
Instructions**

## 6. 30' Offset and Roof Hatch Platform Installation Instructions

### Installing Z-Clips (GT1-2036)

1. Bolt Z-clip (GT1-2036) to vertical channel (GT1-0001). The Z-clip can be installed on each vertical channel as the wall sheets are installed using 3/8"-16 x 1" YDP grade 8 or grade 8.2 bolts (S-7927) and 3/8"-16 ZN grade 5 nuts (S-968). (See Figure 6A, Figure 6B below, Figure 6C and Figure 6D on Page 43.)

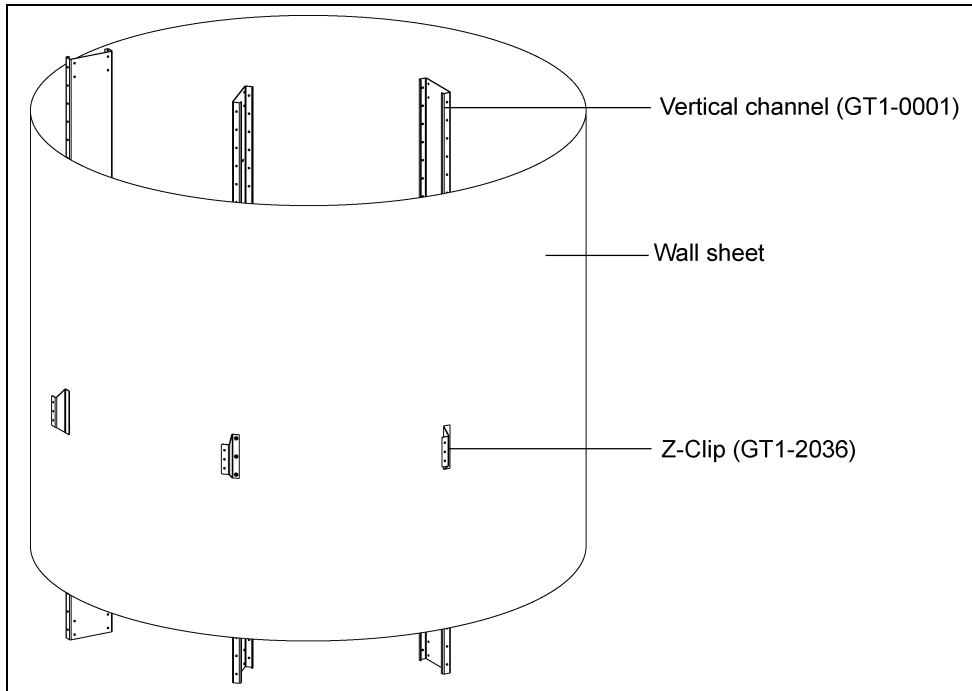


Figure 6A Offset Z-Clip Installation

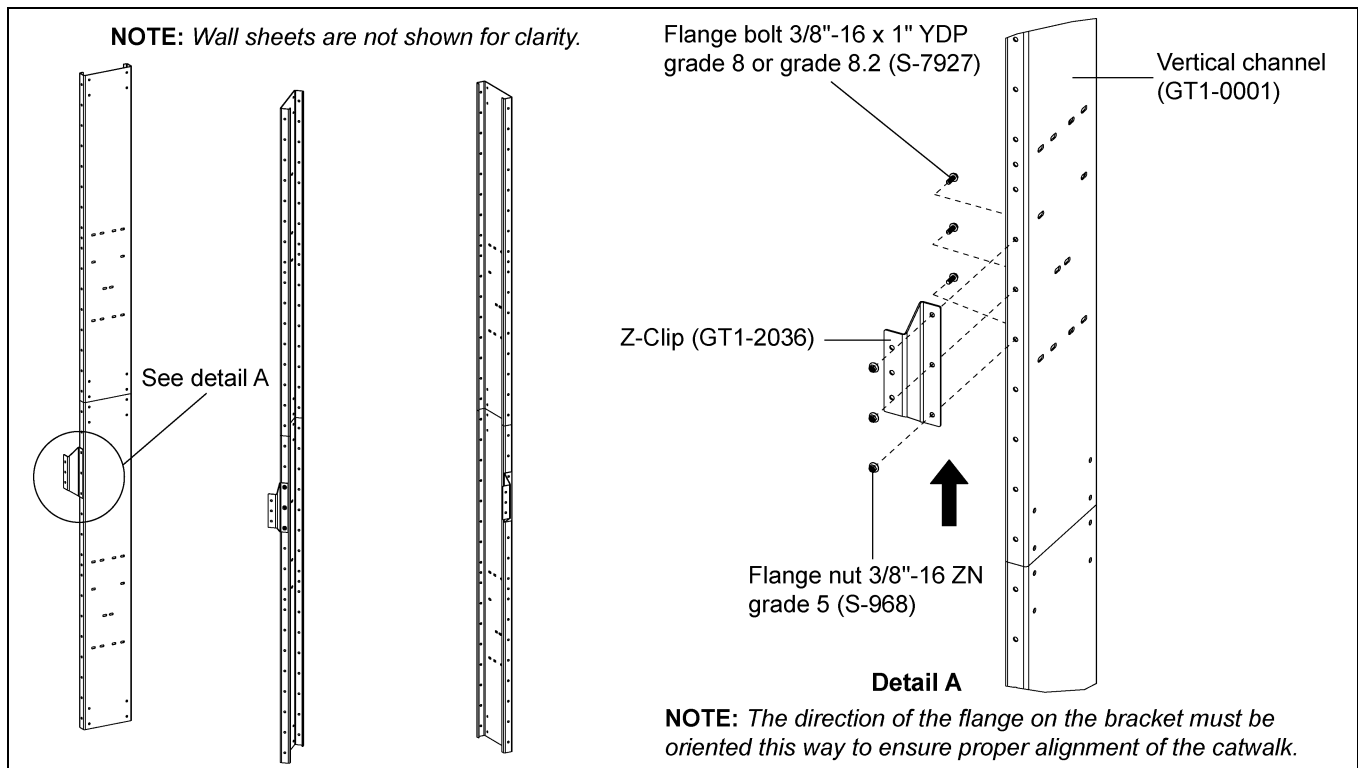


Figure 6B Offset Z-Clip Installation

Installing Z-Clips (GT1-2036) (Continued)

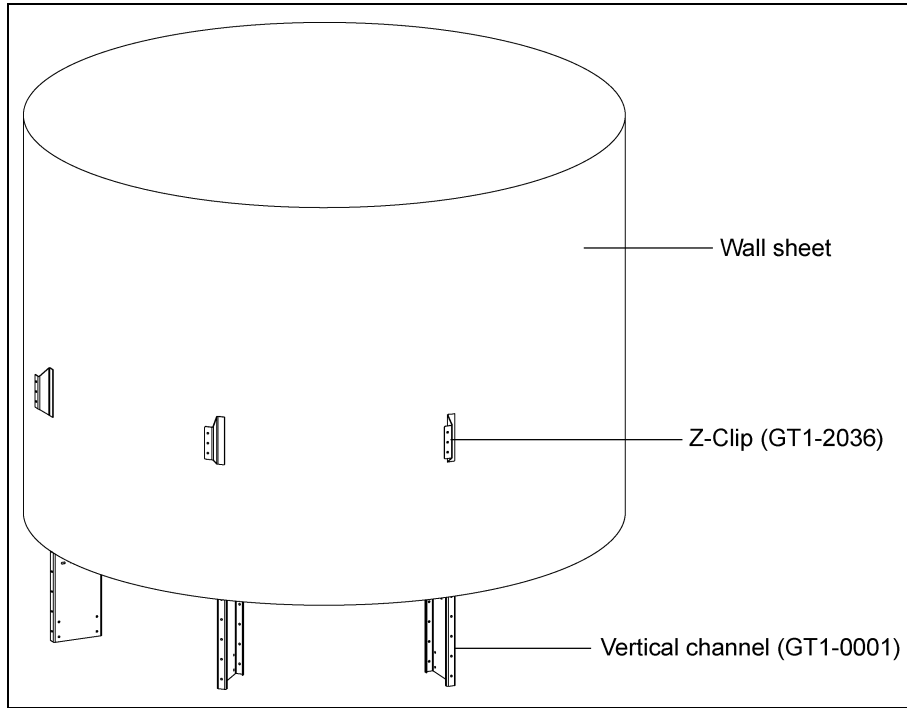


Figure 6C Roof Hatch Z-Clip Installation

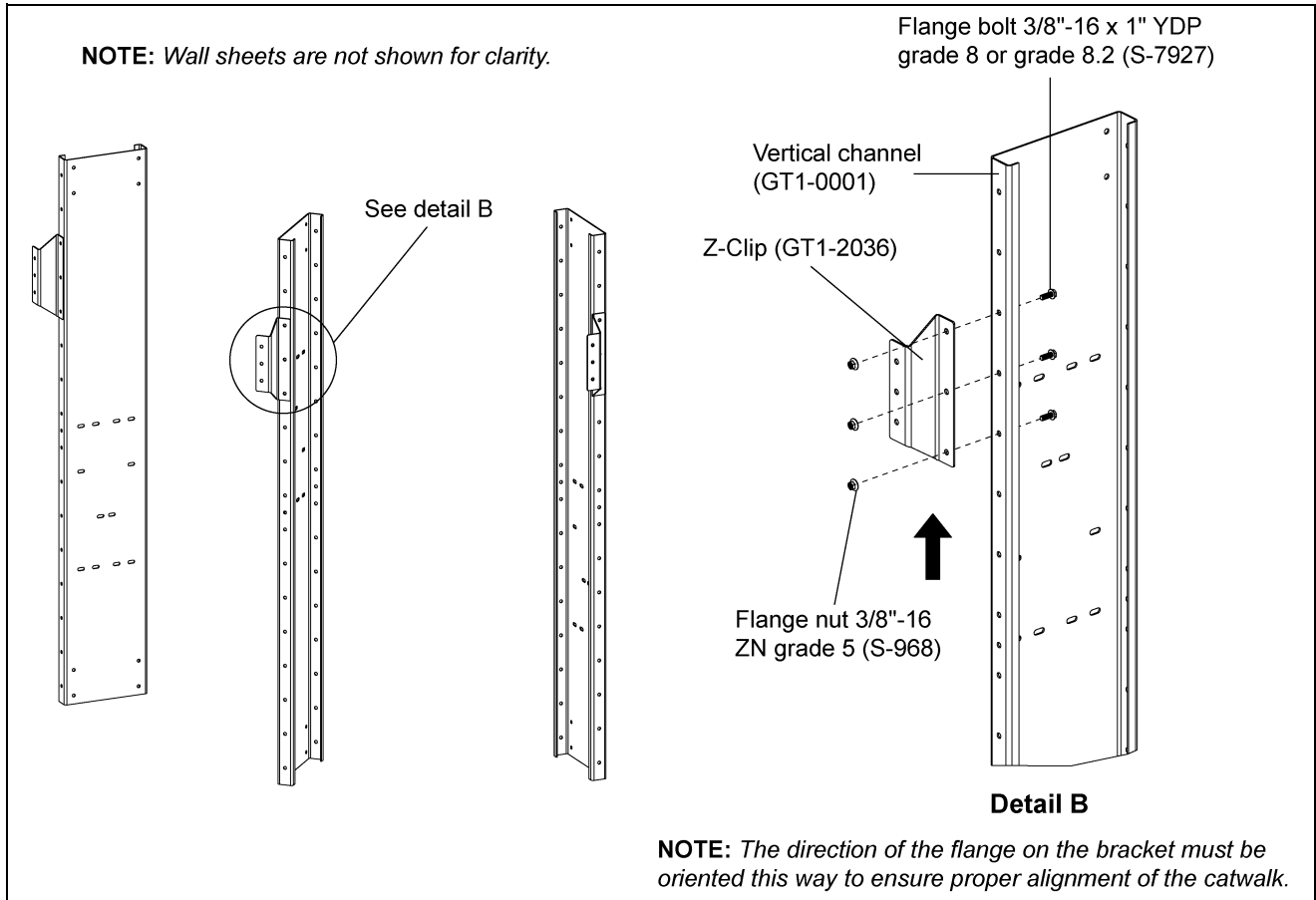


Figure 6D Roof Hatch Z-Clip Installation

## 6. 30' Offset and Roof Hatch Platform Installation Instructions

### Installing Swing Gate Stop (GT1-2045)

1. Install swing gate stops (GT1-2045) to the safety gate opening vertical channel and catwalk end vertical channel on offset catwalk as wall sheets are installed using 3/8"-16 x 1" YDP grade 8 or grade 8.2 bolts (S-7927) and 3/8"-16 grade 5 nuts (S-968). (See Figure 6E and Figure 6F.)

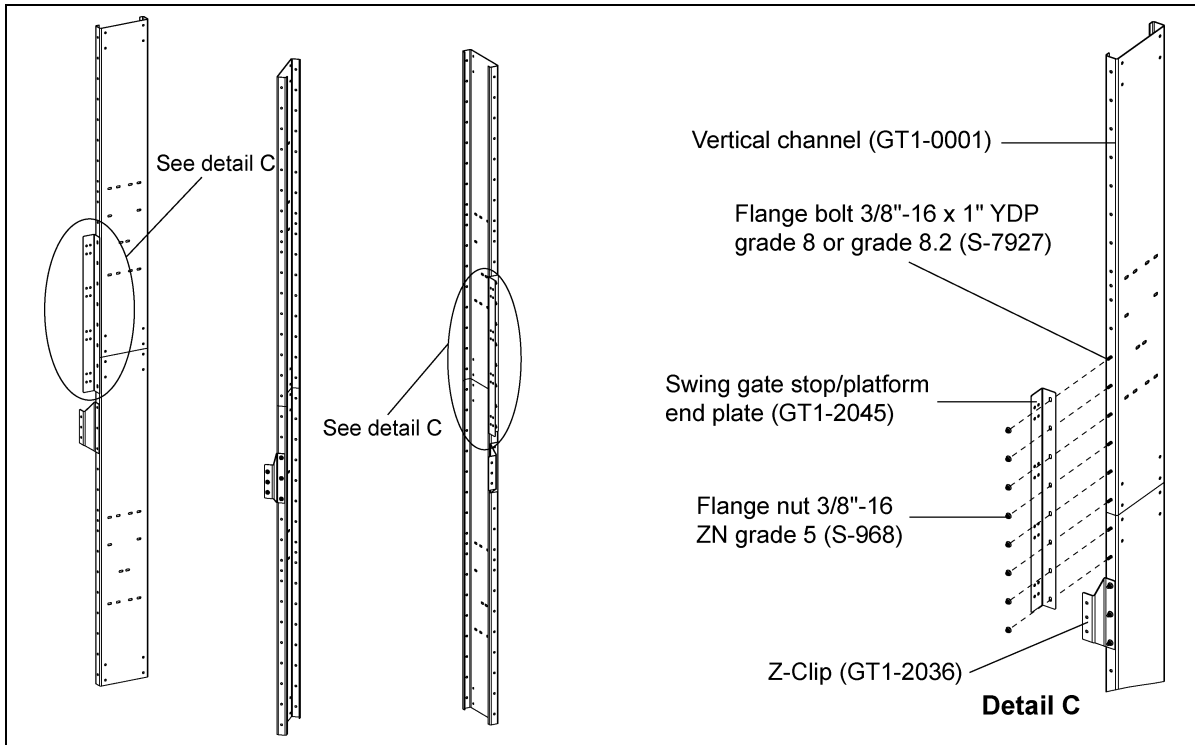


Figure 6E Offset Swing Gate Stop Installation

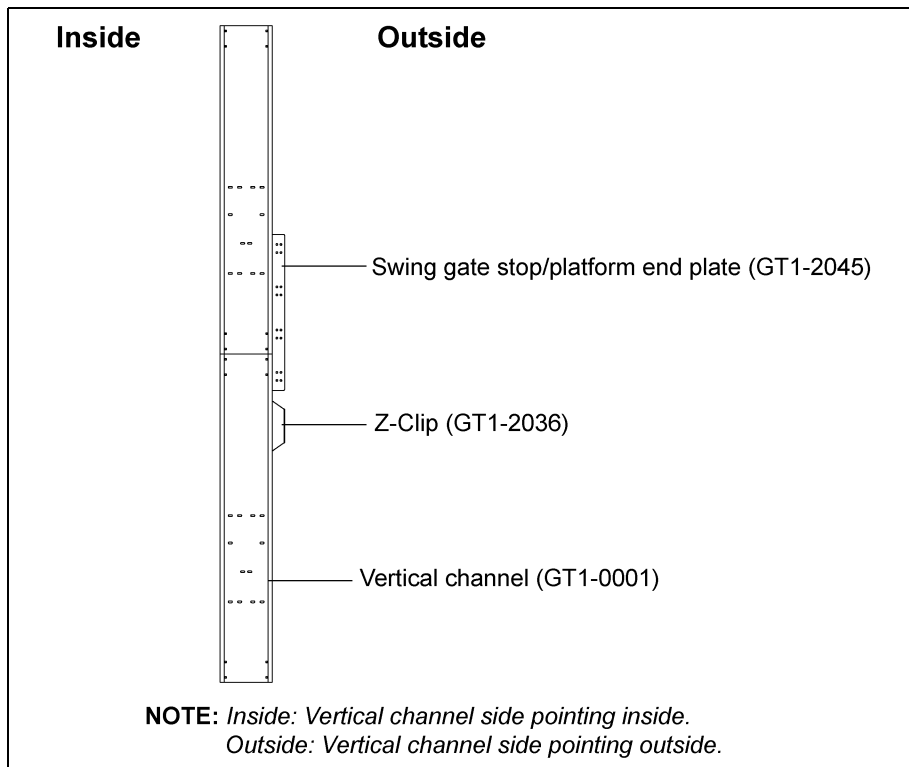


Figure 6F

## Installing Catwalk Support Clip (GT1-2040-BS)

1. Install the catwalk support clips (GT1-2040-BS) to the vertical channel (GT1-0001). Support clip can be installed on each vertical channel as the wall sheets are installed using 3/8"-16 x 1" YDP grade 8 or grade 8.2 bolts (S-7927) and 3/8"-16 ZN grade 5 nuts (S-968). (See Figure 6G below and Figure 6I on Page 46.)
2. The minimum distance between the Z-clip and support clip is 31-1/2". (See Figure 6H below and Figure 6J on Page 46.)

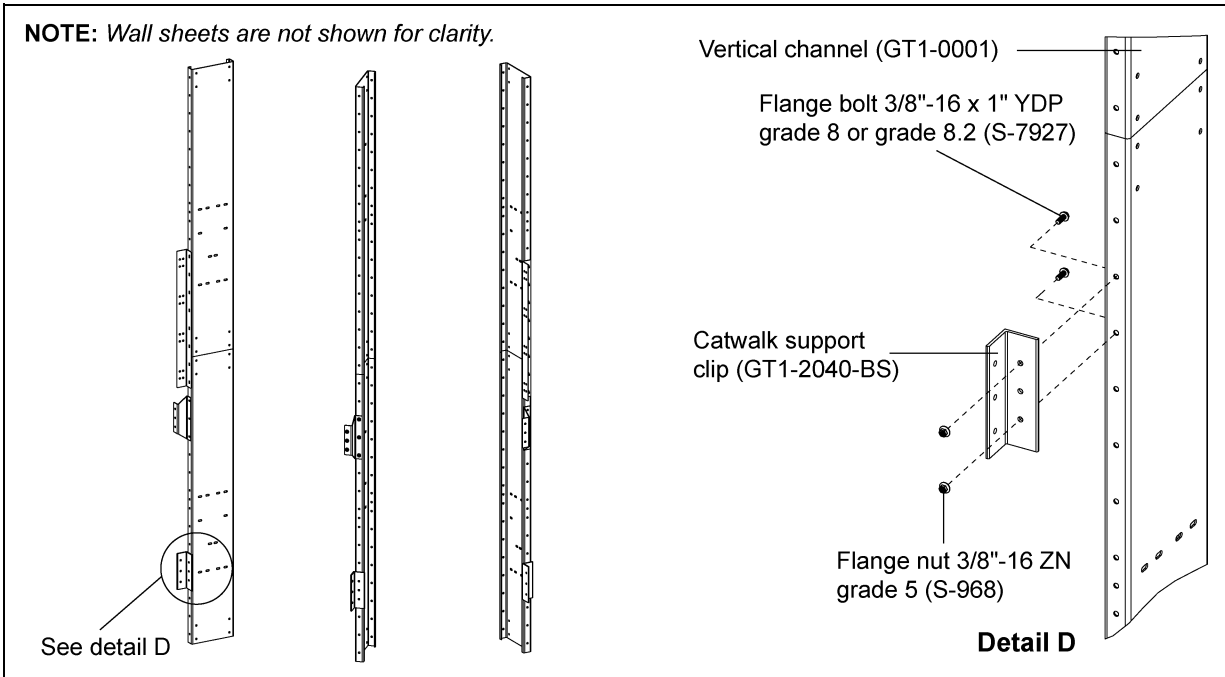


Figure 6G Offset Catwalk Support Clip Installation

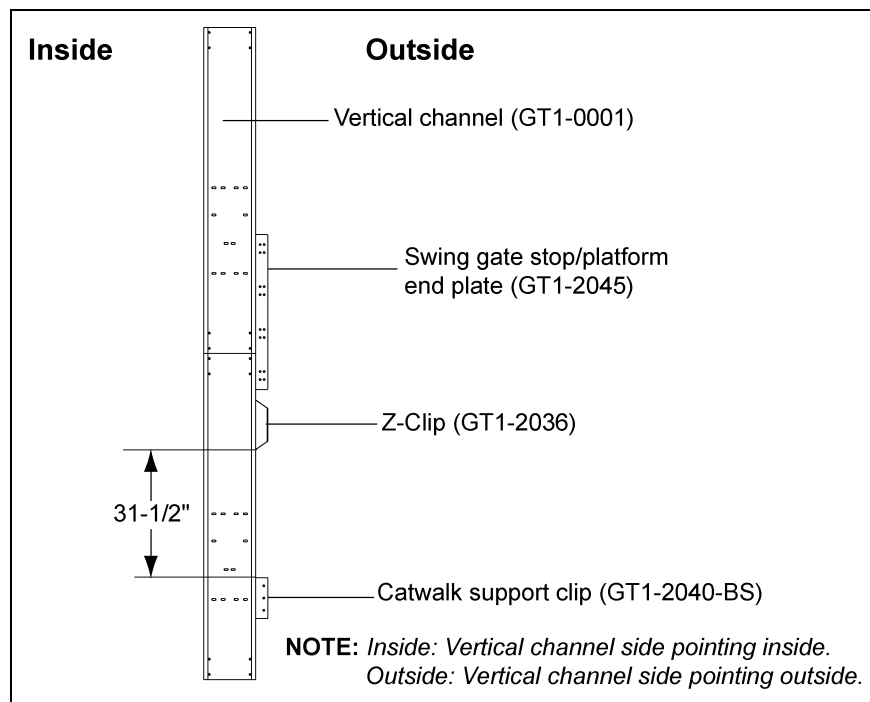
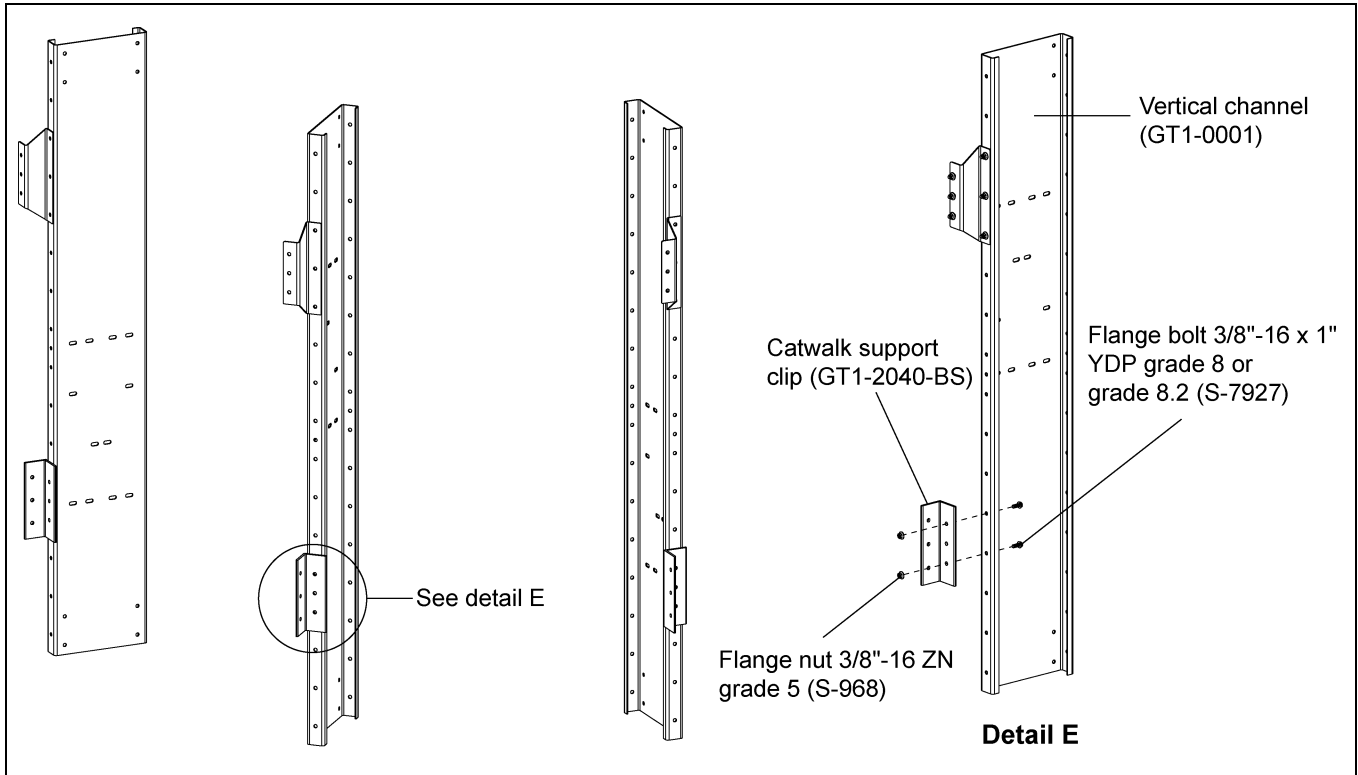
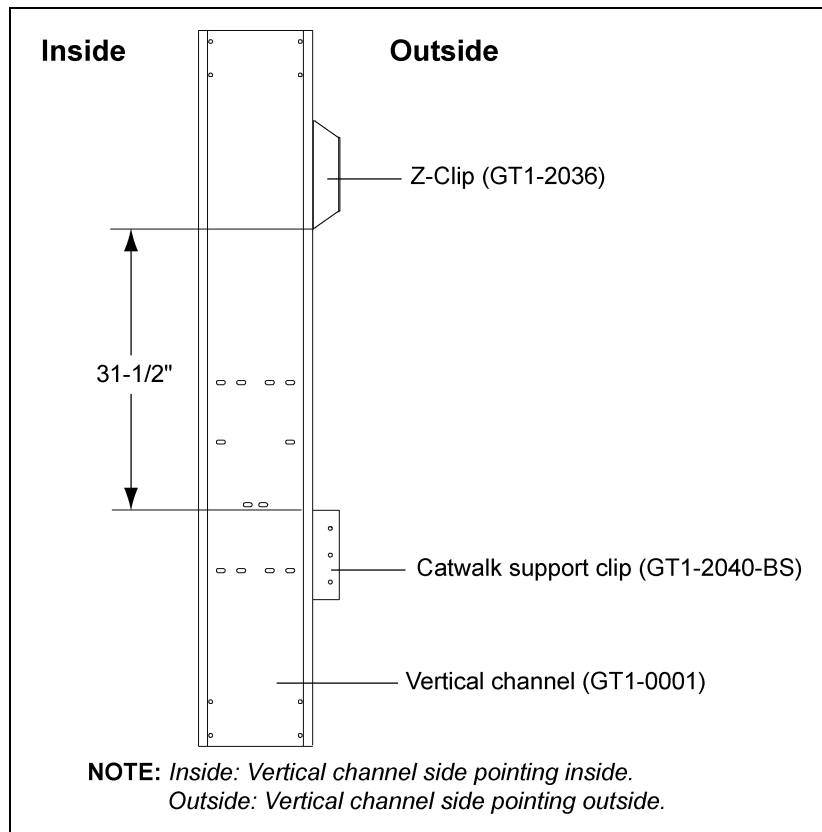


Figure 6H

## Installing Catwalk Support Clip (GT1-2040-BS) (Continued)



**Figure 6I** Roof Hatch Catwalk Support Clip Installation

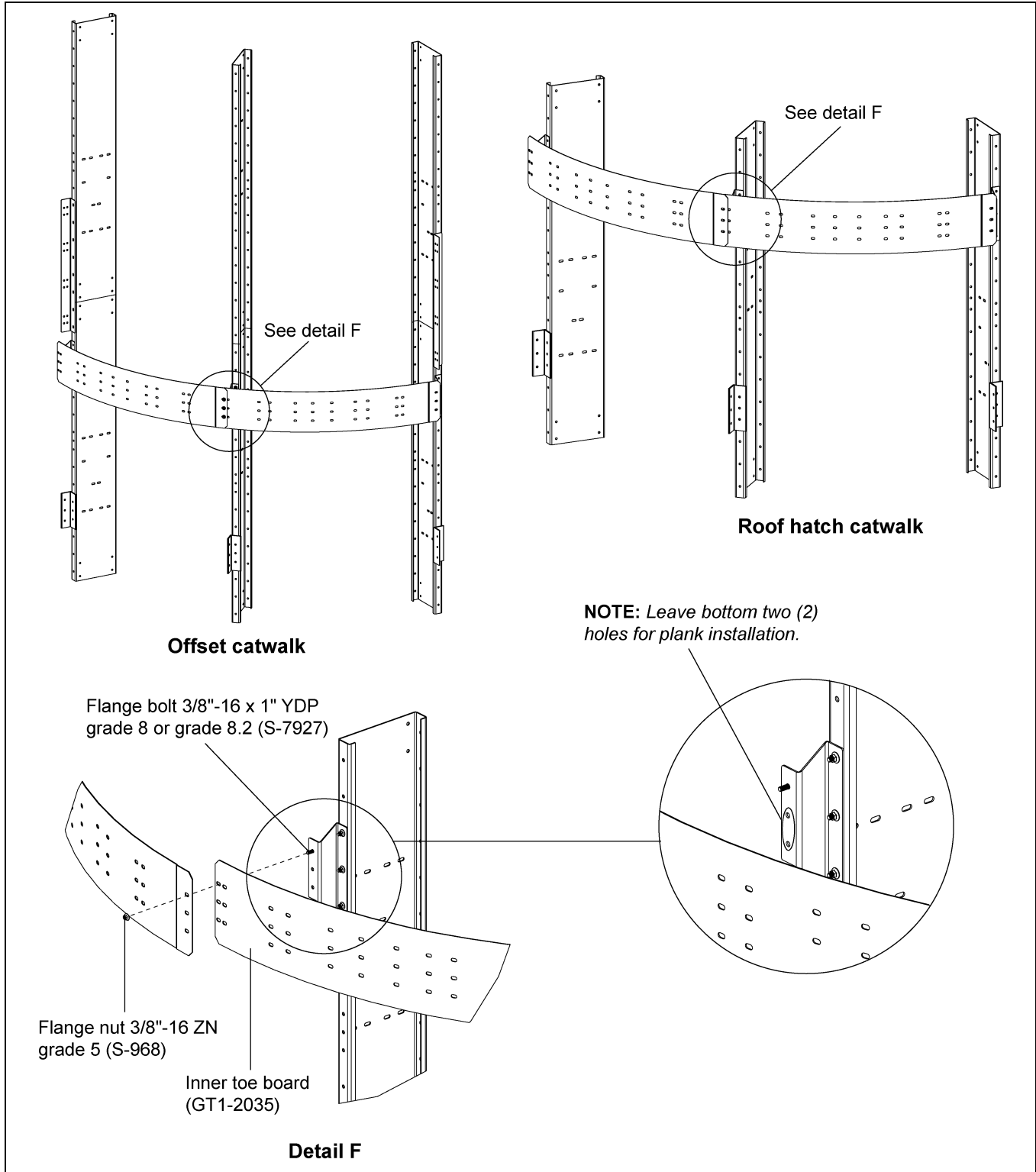


**NOTE:** Inside: Vertical channel side pointing inside.  
 Outside: Vertical channel side pointing outside.

**Figure 6J**

## Installing Inner Toe Board (GT1-2035)

1. Install the inner toe board (GT1-2035) to the Z-clips (GT1-2036). (See Figure 6K.)
2. All the toe boards should be installed between the Z-clips using 3/8"-16 x 1" YDP grade 8 or grade 8.2 bolts (S-7927) and 3/8"-16 ZN grade 5 nuts (S-968). (See Figure 6K.)

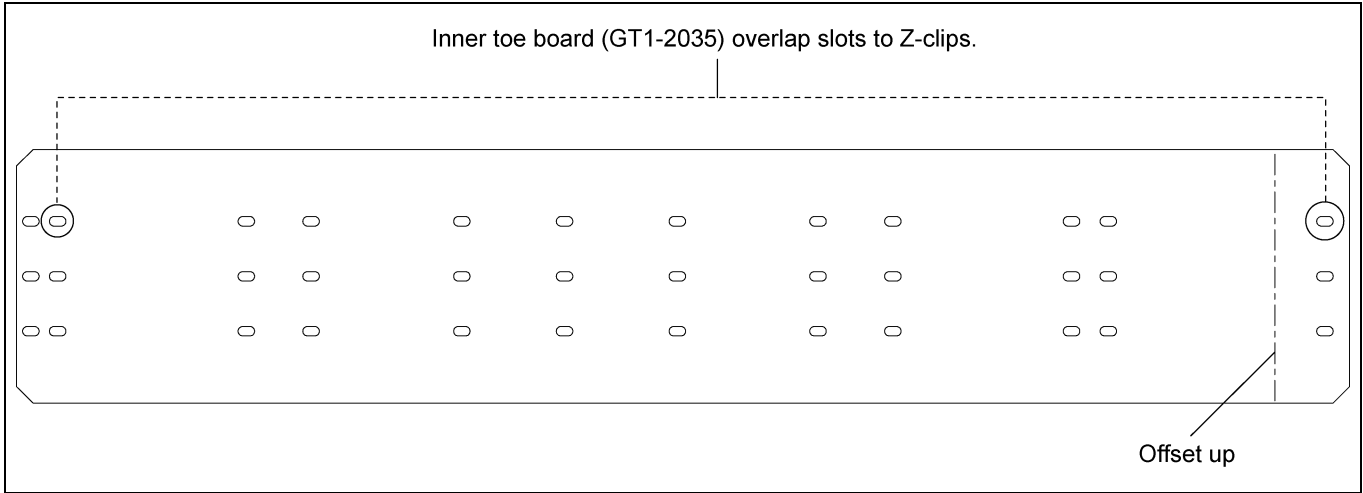


**Figure 6K** Inner Toe Board Installation for Offset and Roof Hatch Catwalks

## 6. 30' Offset and Roof Hatch Platform Installation Instructions

### Installing Inner Toe Board (GT1-2035) (Continued)

3. Inner toe board is arranged with overlap slots on each side. Install 30' offset and roof hatch inner toe boards (GT1-2035) to corresponding slots as shown in [Figure 6L](#).



**Figure 6L** 30' Inner Toe Board (GT1-2035) for Offset and Roof Hatch Catwalks



## Installing Plank (GT1-2033) to Inner Toe Board (GT1-2035)

1. Install planks (GT1-2033) to bottom two (2) holes of the inner toe board (GT1-2035) using 3/8"-16 x 1" YDP grade 8 or grade 8.2 bolts (S-7927) and 3/8"-16 ZN grade 5 nuts (S-968). (See Figure 6M.)

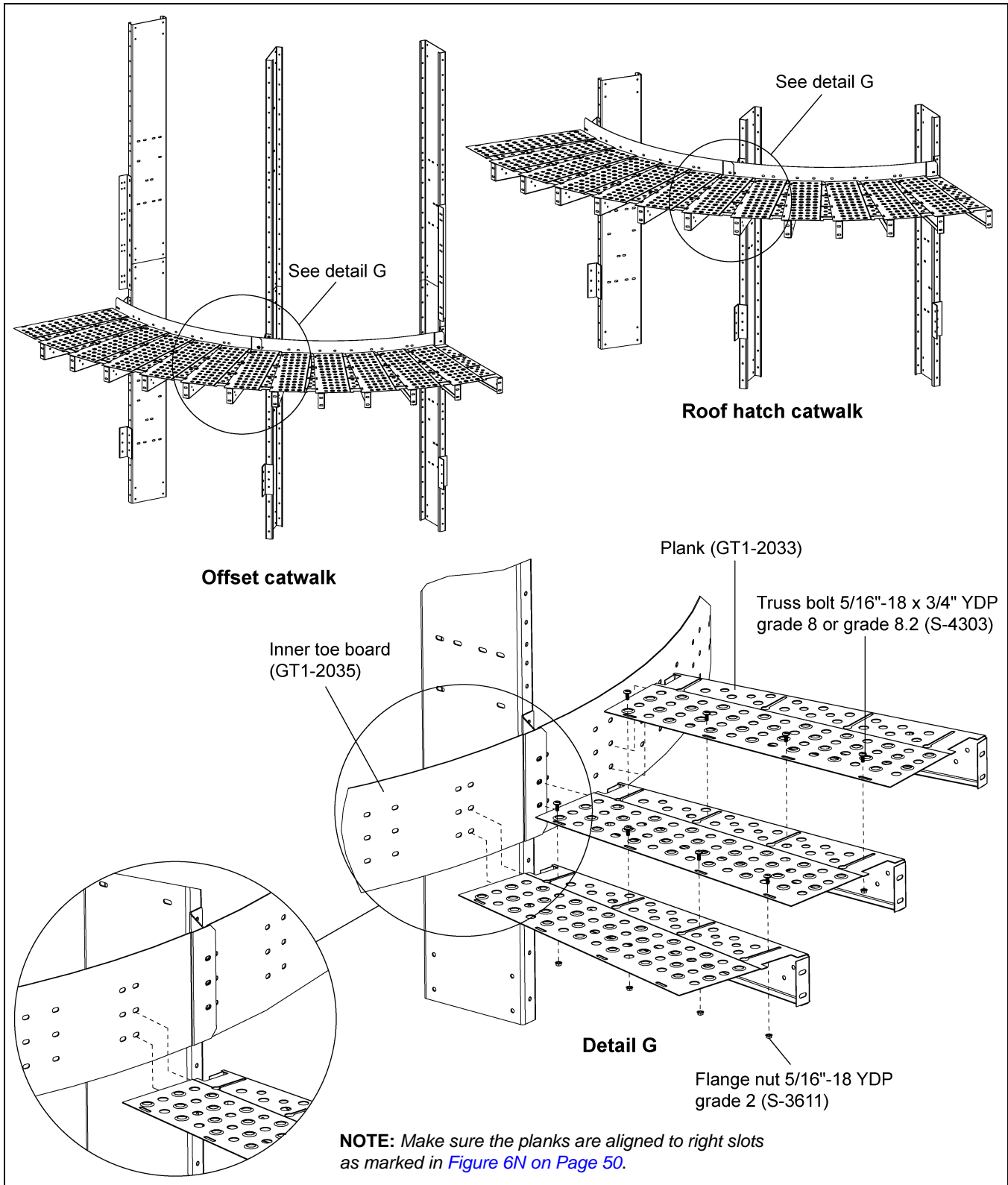
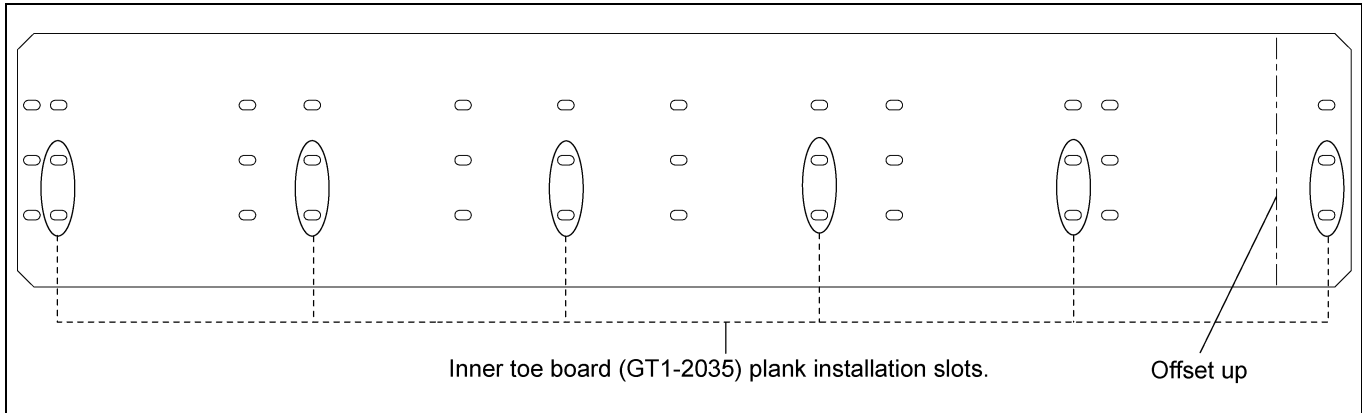


Figure 6M Inner Toe Board (GT1-2035) Plank Installation for Offset and Roof Hatch Catwalks

## 6. 30' Offset and Roof Hatch Platform Installation Instructions

### Installing Plank (GT1-2033) to Inner Toe Board (GT1-2035) (Continued)

2. Inner toe board (GT1-2035) is arranged with various slots to install plank. Install offset and roof hatch planks to corresponding slots as shown in [Figure 6N](#).



**Figure 6N** 30' Inner Toe Board (GT1-2035) for Offset Set and Roof Hatch Catwalks

3. Install all the planks (GT1-2033) continuously around the dryer except at the jack pole locations. ([See Figure 6O.](#))



**Figure 6O**

## Installing Plank (GT1-2033) to Inner Toe Board (GT1-2035) (Continued)

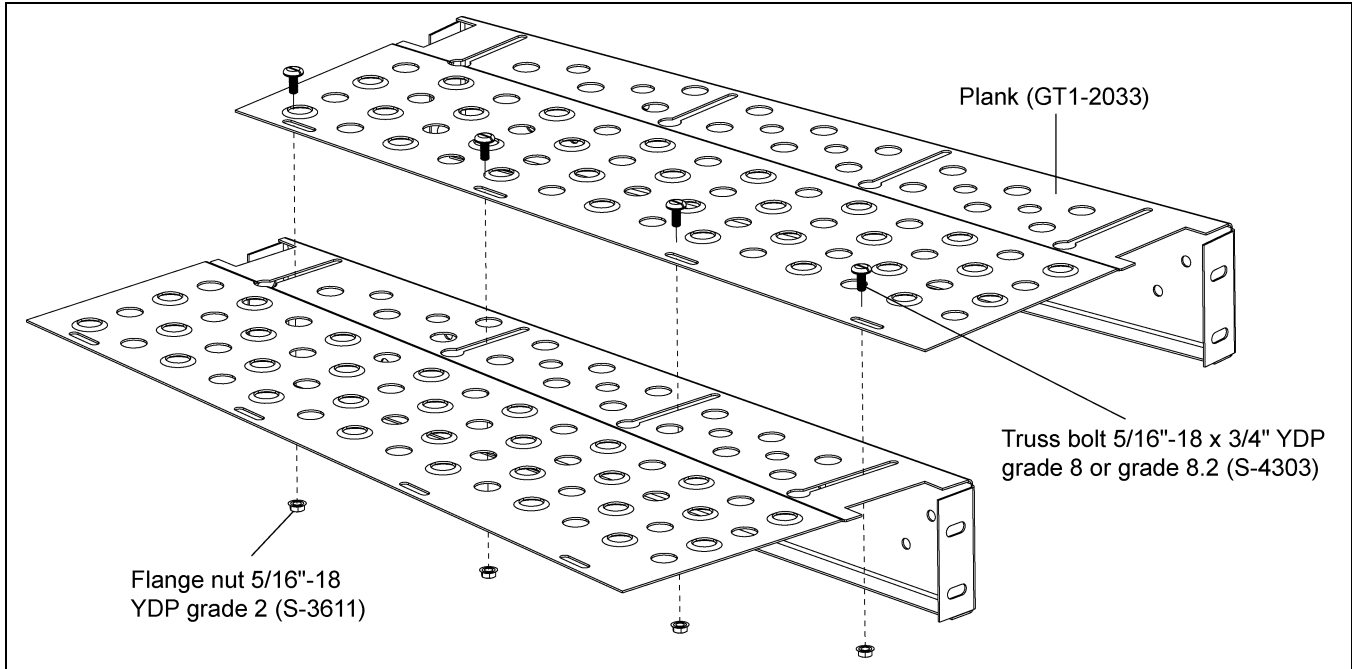


Figure 6P

4. Each plank should be overlapped at the edges and bolted with 5/16"-18 x 3/4" YPD grade 8 or grade 8.2 bolts (S-4303) and 5/16"-18 x 3/4" YPD grade 2 nuts (S-3611). (See Figure 6Q.)

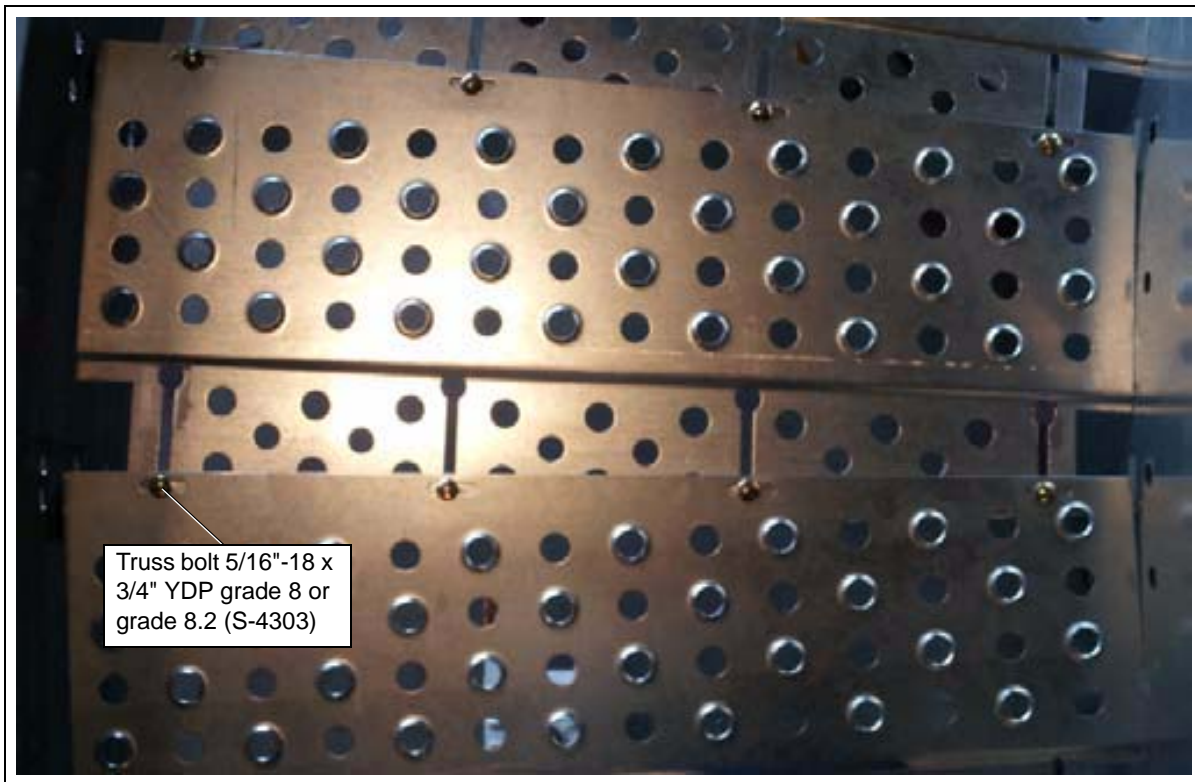


Figure 6Q

## 6. 30' Offset and Roof Hatch Platform Installation Instructions

### Installing Plank Support (GT1-2086)

1. Once the planks are installed, install the plank support (GT1-2086) at the catwalk closing end using 5/16"-18 x 3/4" YPD grade 8 or grade 8.2 bolts (S-4303) and 5/16"-18 YDP grade 2 nuts (S-3611). (See Figure 6R.)

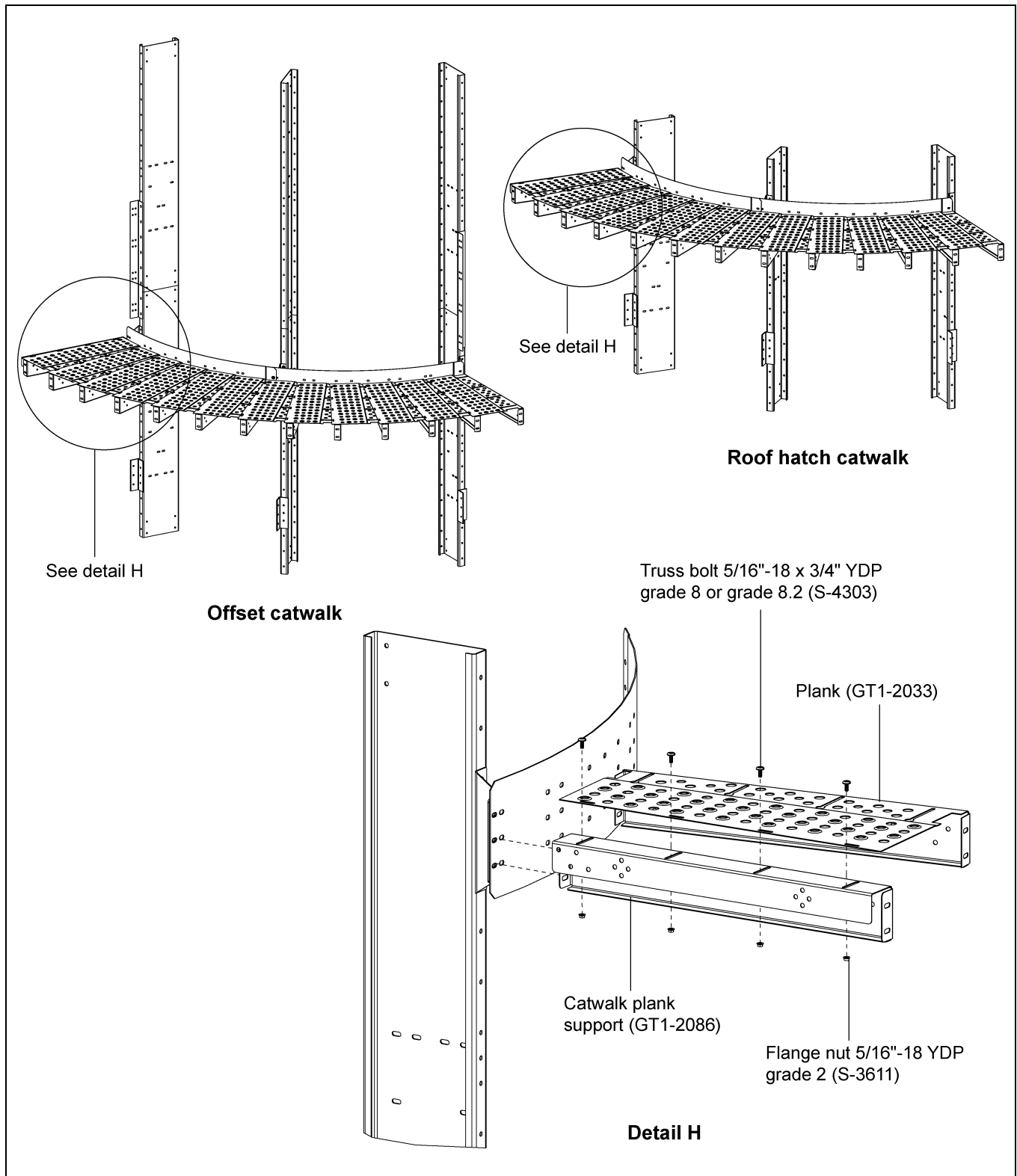


Figure 6R Plank Support (GT1-2086) Installation for Offset and Roof Hatch Catwalks

## Installing Knee Support (GT1-2039-BS)

1. Install the knee support (GT1-2039-BS) around the dryer between the catwalk support clips (GT1-2040-BS) and the planks (GT1-2033) using 3/8"-16 x 1" YDP grade 8 or grade 8.2 bolts (S-7927) and 3/8"-16 ZN grade 5 nuts (S-968). (See Figure 6S.)

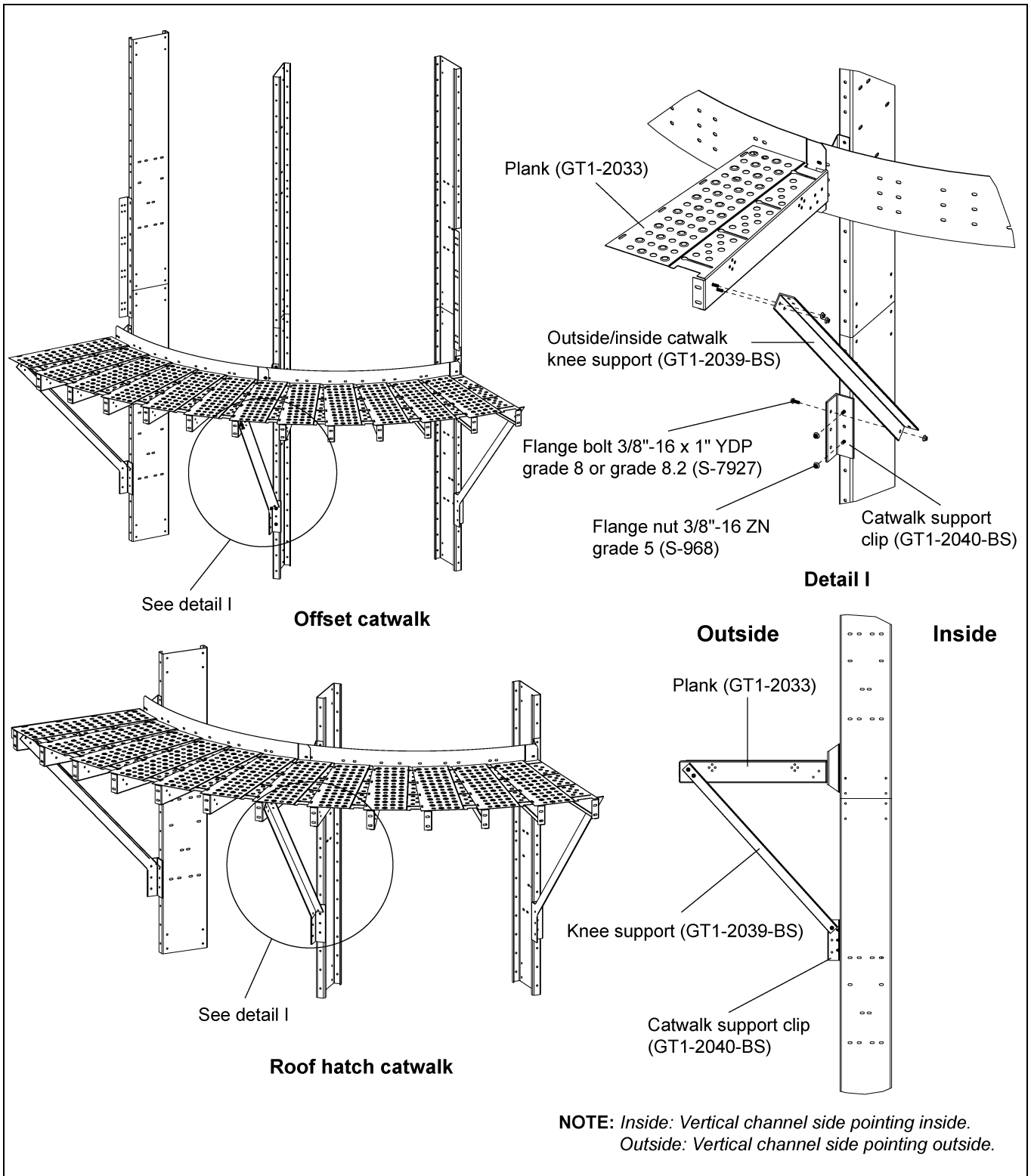
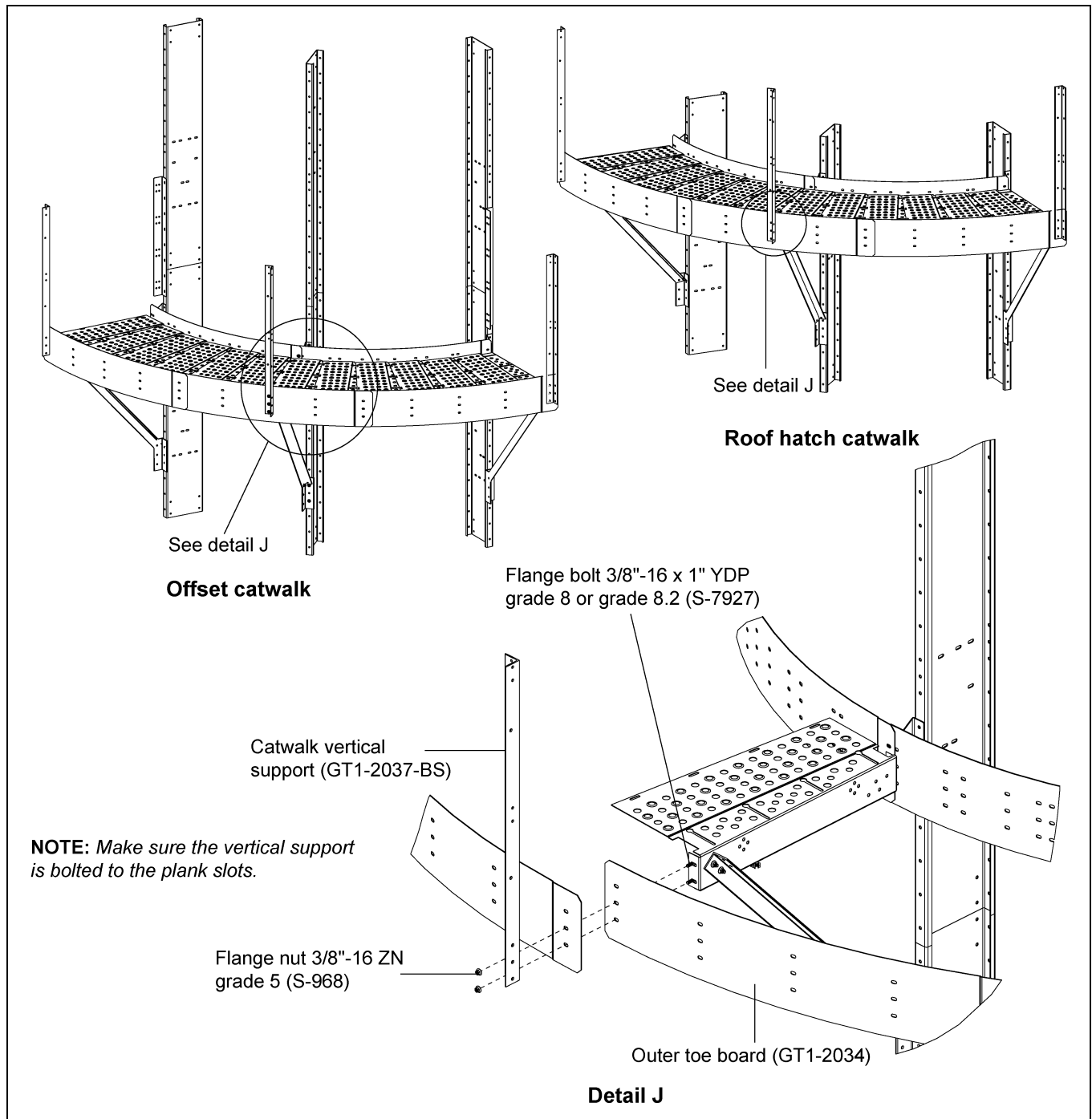


Figure 6S Knee Support (GT1-2039-BS) Installation for Offset and Roof Hatch Catwalks

## 6. 30' Offset and Roof Hatch Platform Installation Instructions

### Installing Outer Toe Board (GT1-2034) and Catwalk Vertical Support (GT1-2037-BS)

1. Install all the outer toe boards (GT1-2034) to the planks (GT1-2033). (See Figure 6T.)
2. When installing the outer toe board with planks, install the catwalk vertical support (GT1-2037-BS) simultaneously at proper locations using 3/8"-16 x 1" YDP grade 8 or grade 8.2 bolts (S-7927) and 3/8"-16 ZN grade 5 nuts (S-968). (See Figure 6T.)



**Figure 6T** Outer Toe Board (GT1-2034) and Vertical Support (GT1-2037-BS)  
Installation for Offset and Roof Hatch Catwalks

## Installing Long Handrails (GT1-2038-300)

1. Install the long handrail (GT1-2038-120) to the catwalk vertical support (GT1-2037-BS) using 5/16"-18 ZN U-bolts (S-10171) and 5/16"-18 YDP grade 2 nuts (S-3611) to tighten the handrail with vertical post. (See Figure 6U.)
2. Use the self-tapping screw SDS #10-16 x 3/4" HWH ZN grade 2 (S-7466) at all handrail pipe joints. (See Figure 6U.)

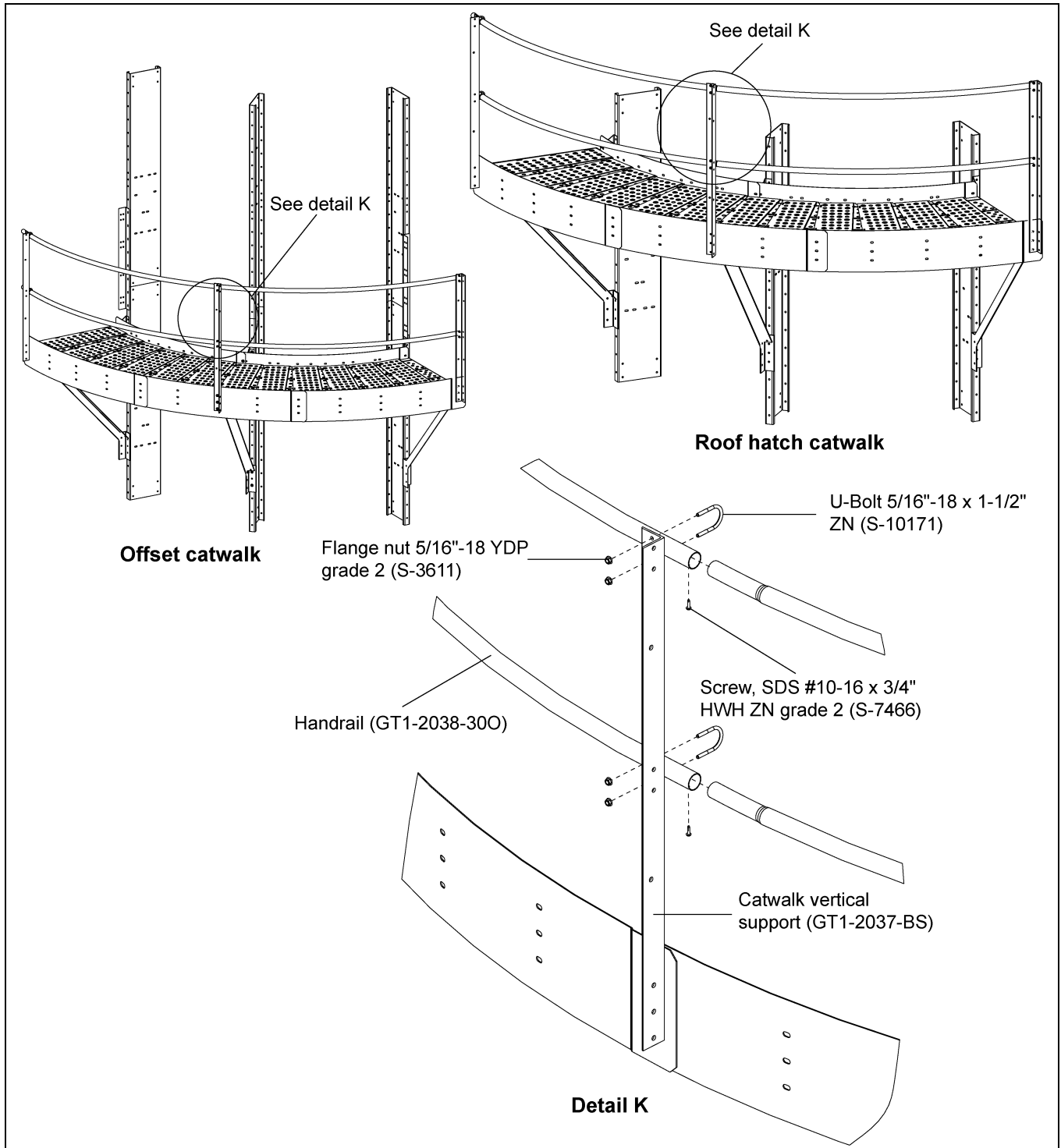
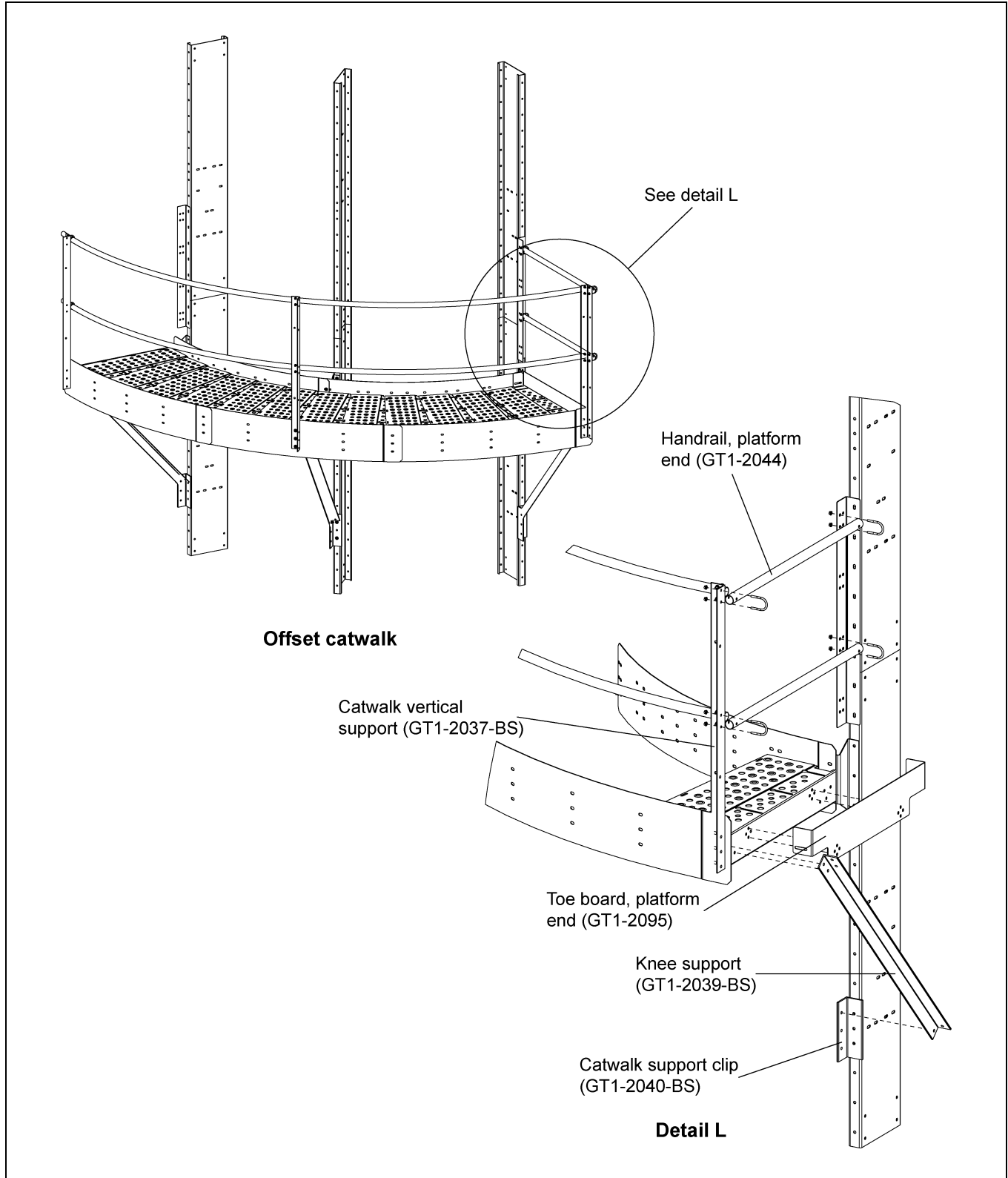


Figure 6U Handrail (GT1-2038-300) Installation for Offset and Roof Hatch Catwalks

## 6. 30' Offset and Roof Hatch Platform Installation Instructions

### Installing Long Handrails (GT1-2038) (Continued)

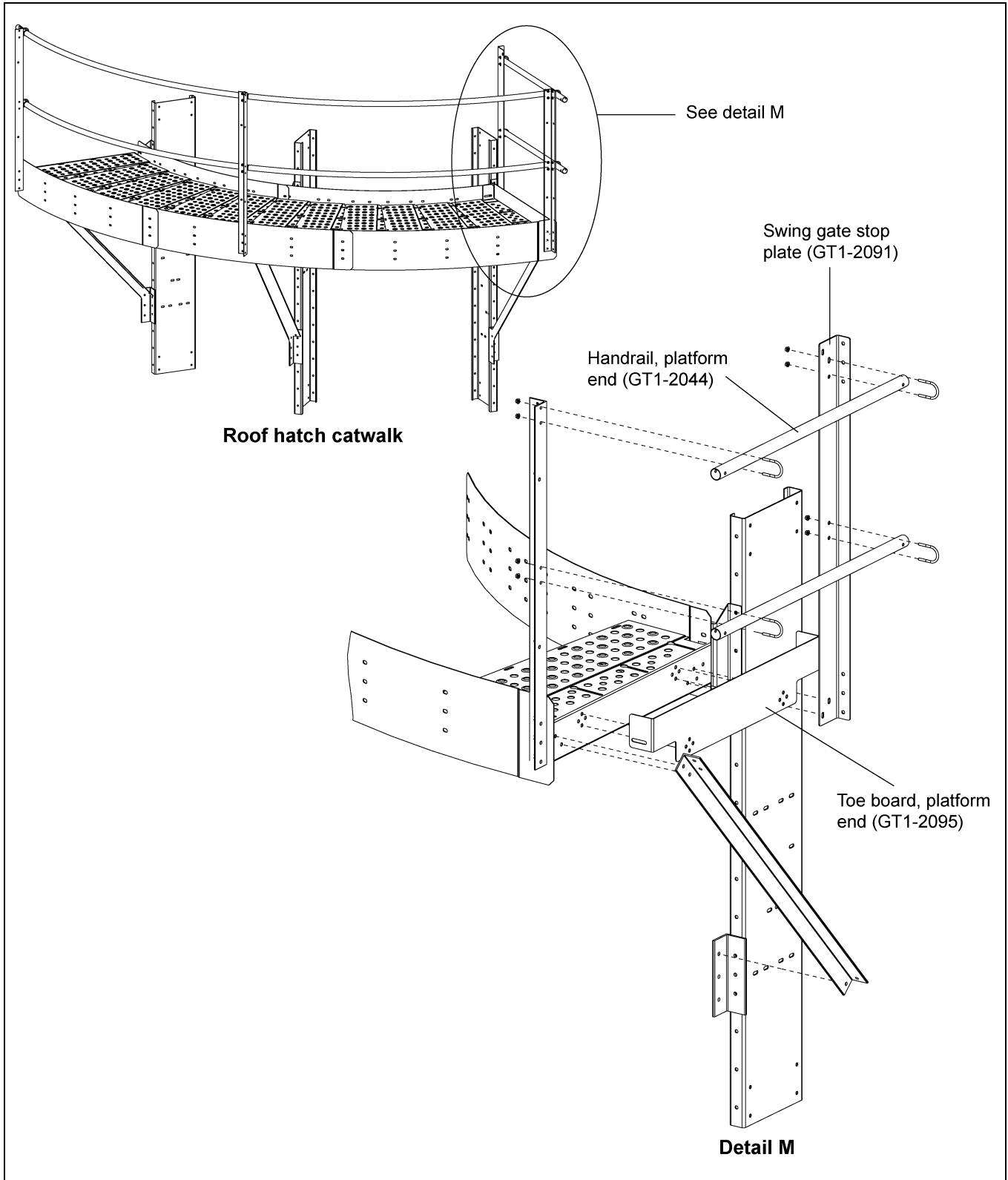
3. Install the platform end handrail (GT1-2044) to the catwalk vertical support (GT1-2037-BS) and the platform end plate (GT1-2045). (See *Figure 6V below and Figure 6W on Page 57.*)



**Figure 6V** Offset Platform End Handrail (GT1-2044) Installation



## Installing Long Handrails (GT1-2038) (Continued)



**Figure 6W** Roof Hatch Platform End Handrail (GT1-2044) Installation

## 6. 30' Offset and Roof Hatch Platform Installation Instructions

### Installing Safety Gate (GT4-1455) with Plank Support (GT1-2086)

1. Install the swing gate support (GT1-2087) with the plank support (GT1-2086).
2. Install two (2) catwalk handrails (GT1-0920) between the swing gate support (GT1-2087) and catwalk vertical support (GT1-2037-BS). (See Figure 6X.)

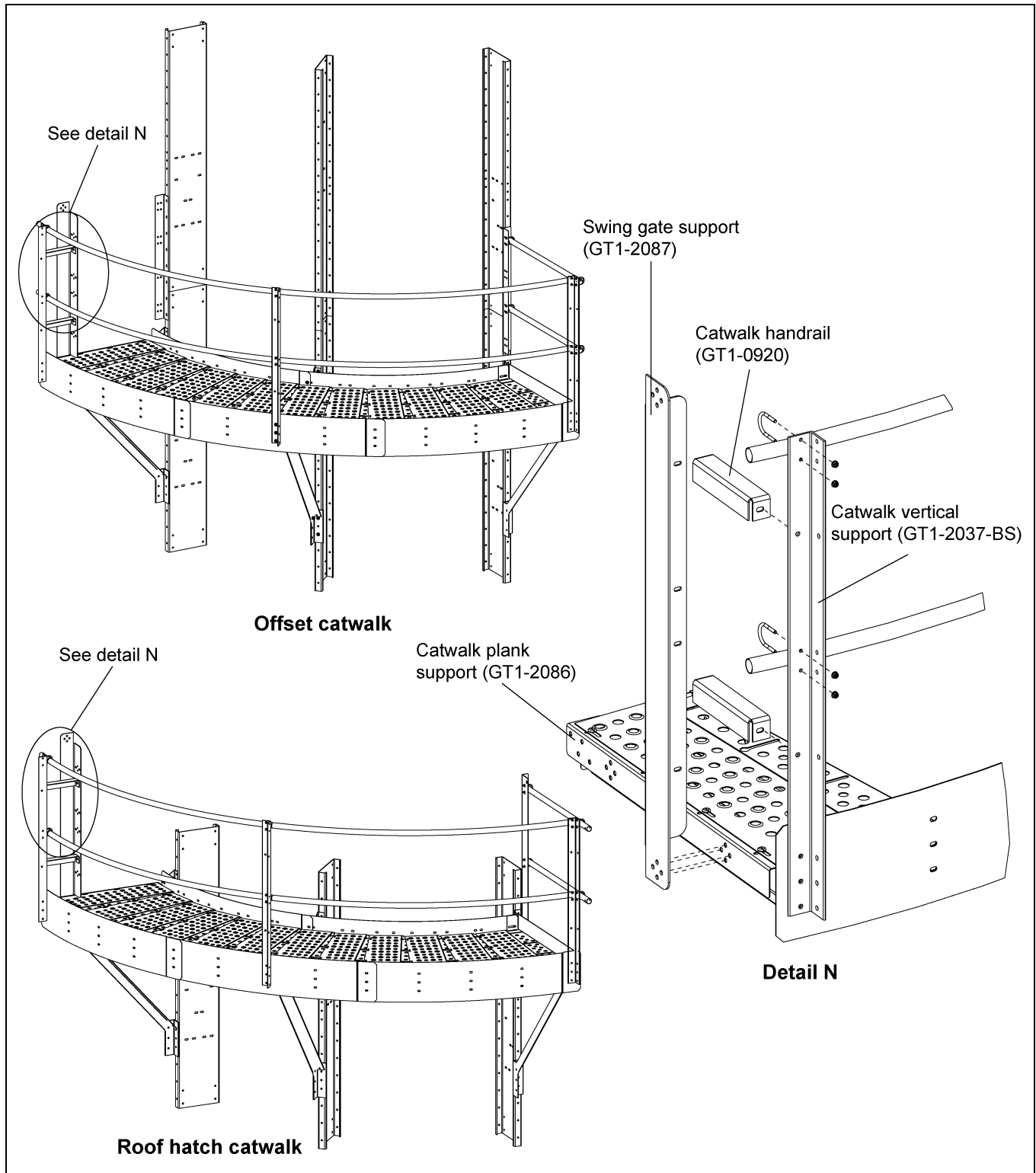


Figure 6X Installing Safety Gate (GT4-1455) to Offset and Roof Hatch Catwalks

## Installing Safety Gate with Plank Support (Continued)

3. Install the ladder safety gate assembly (GT4-1455) to the swing gate support (GT1-2087) using 3/8"-16 x 1" YDP grade 8 or grade 8.2 bolts (S-7927) and 3/8"-16 ZN grade 5 nuts (S-968). The distance between the plank and handrail is 42". (See Figure 6Y below and Figure 6Z on Page 60.)

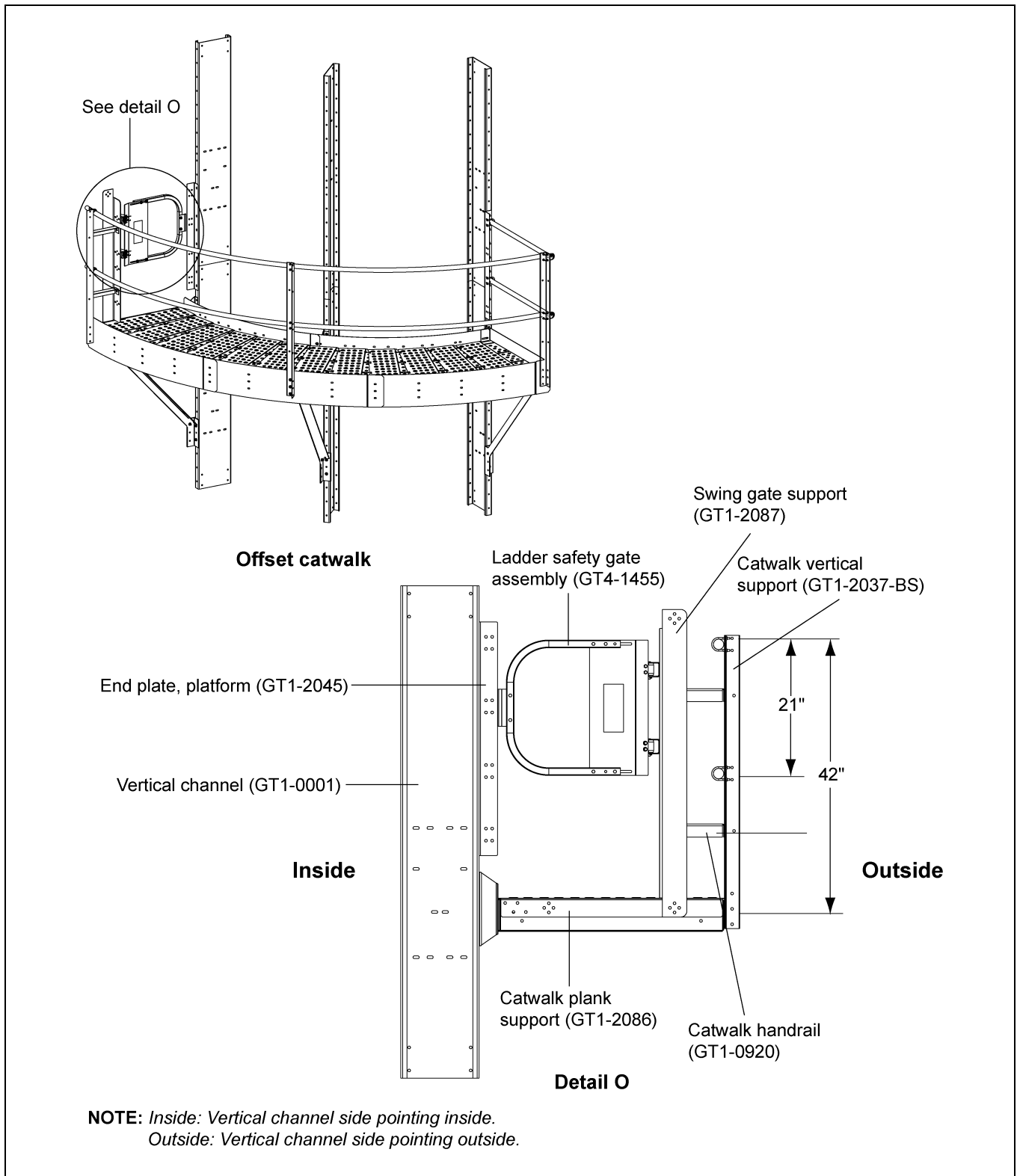


Figure 6Y Offset Ladder Safety Gate Assembly to Swing Gate Support (GT1-2087)

## Installing Safety Gate with Plank Support (Continued)

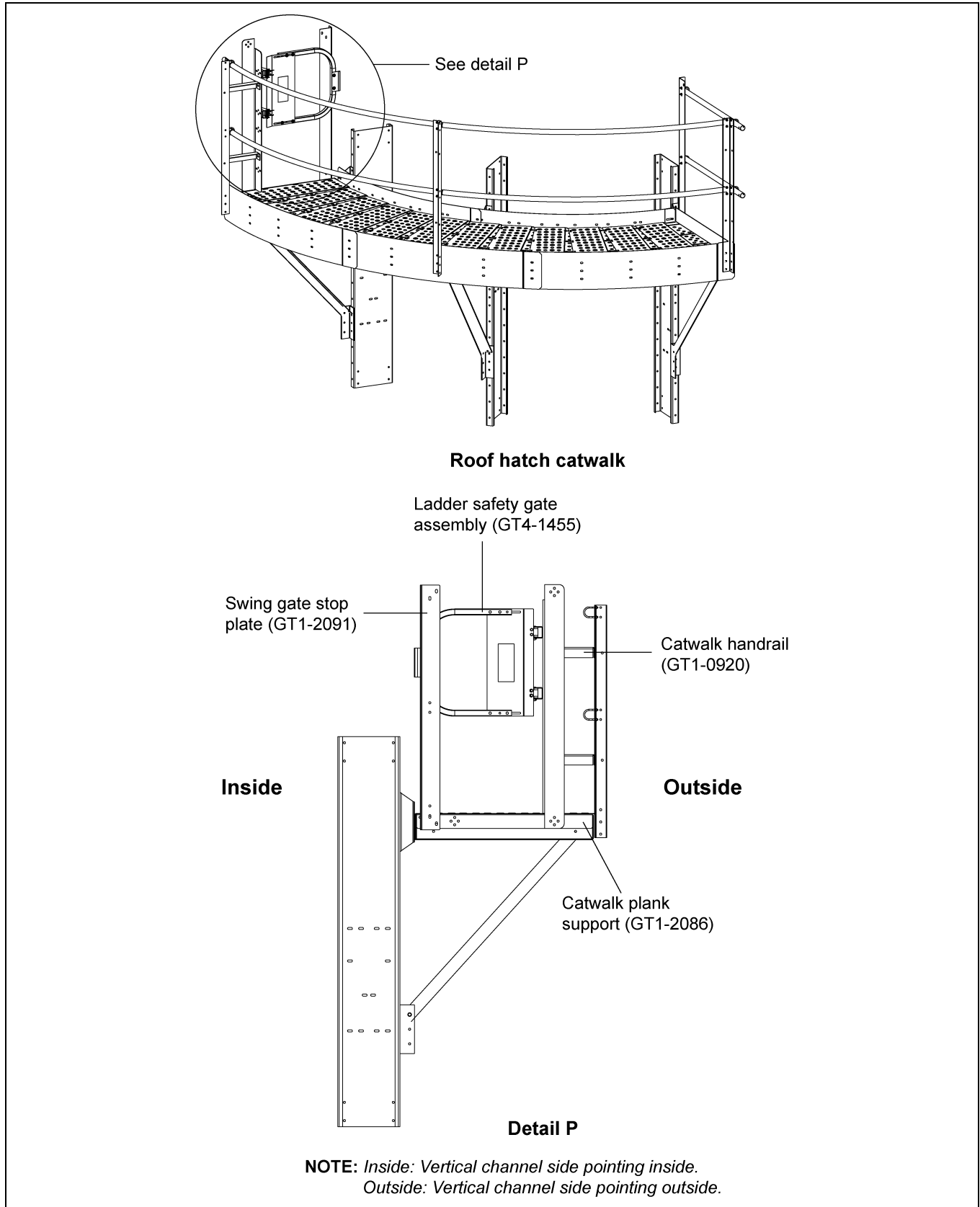
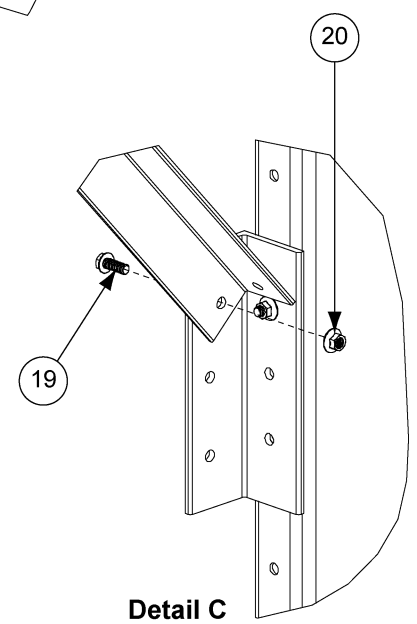
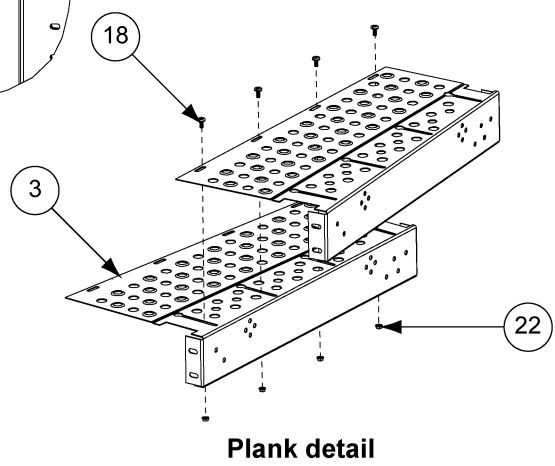
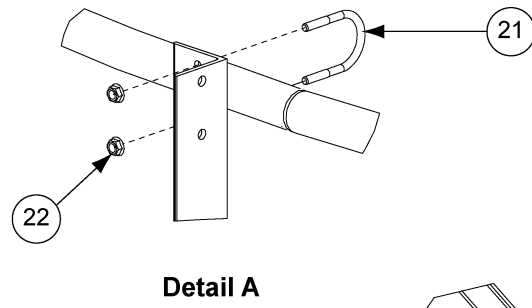
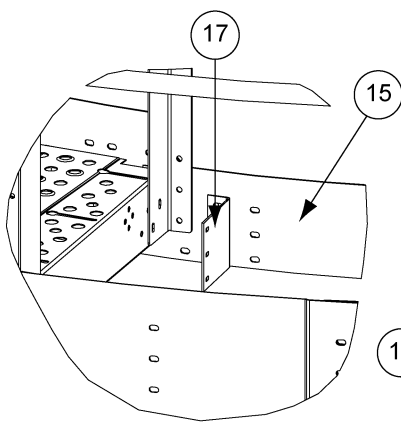
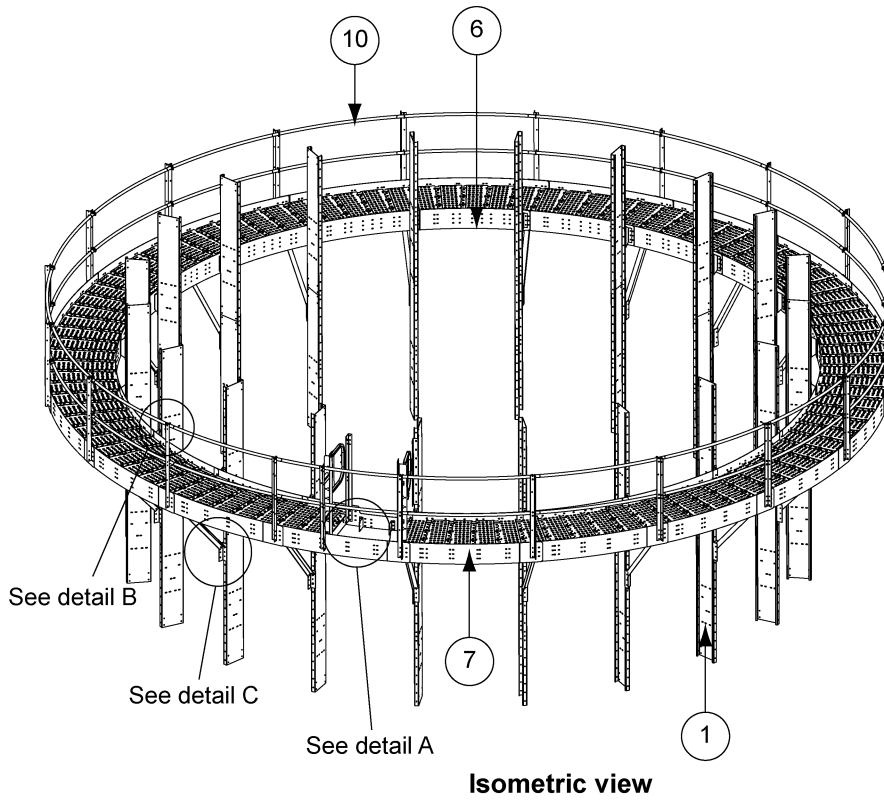


Figure 6Z Roof Hatch Ladder Safety Gate Assembly to Swing Gate Stop Plate (GT1-2091)

1. 30' Outside Fan Style Catwalk (GT4-1039-30F)- [\(See Pages 62-65.\)](#)
2. 30' Inside Fan Style Catwalk (GT4-1043-30F) - [\(See Pages 66-69.\)](#)
3. 30' Offset Fan Style Platform (GT4-1047-30F) - [\(See Pages 70-73.\)](#)
4. 30' Roof Hatch Fan Style Platform (GT4-1051-30F) - [\(See Pages 74-77.\)](#)

# 30' Outside Fan Style Catwalk (GT4-1039-30F)

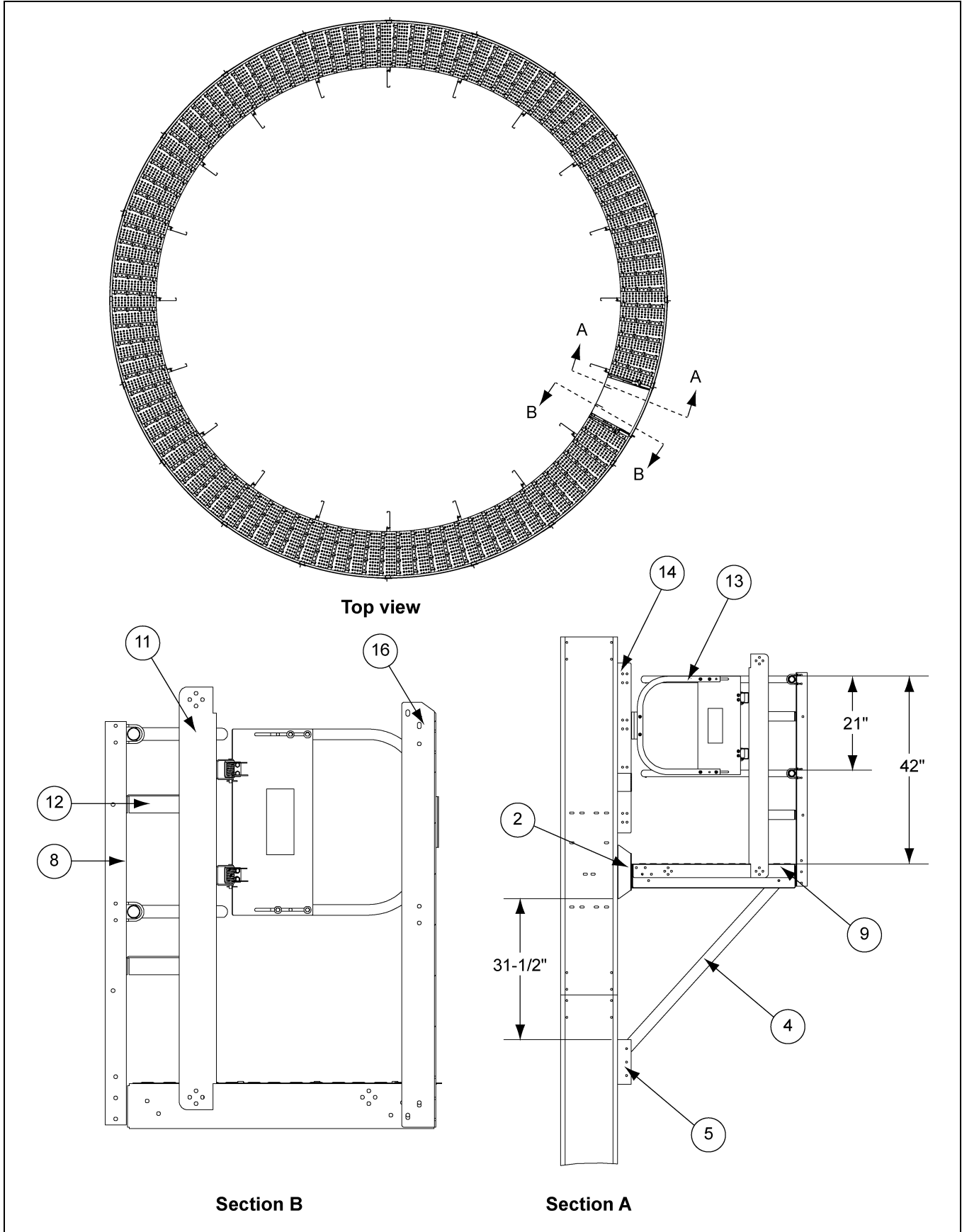


**NOTE:** Use retainer nuts (090-1709-6) at jack pole positions for plank overlap.

## 30' Outside Fan Style Catwalk (GT4-1039-30F) Parts List

Ref #	Part #	Description	Qty
1	GT1-0001	Vertical Channel	40
2	GT1-2036	Catwalk/Platform to Dryer Wall Bracket	20
3	GT1-2033	Plank	97
4	GT1-2039-BS	Outside/Inside Catwalk Diagonal Support - Bin Silver	20
5	GT1-2040-BS	Catwalk Support Clip - Bin Silver	20
6	GT1-2035	Inner Toe Board	19
7	GT1-2034	Outer Toe Board	20
8	GT1-2037-BS	Catwalk Vertical Support - Bin Silver	21
9	GT1-2086	Catwalk Plank Support	1
10	GT1-2038-30O	30' Outside Catwalk/Platform Handrail	30
11	GT1-2087	Swing Gate Support	2
12	GT1-0920	Catwalk End Handrail	4
13	GT4-1455	Ladder Safety Gate	2
14	GT1-2045	Platform End Plate	1
15	GT4-1465	Ladder Opening Inner Toe Board	1
16	GT1-2091	Swing Gate Stop Plate	1
17	GT1-2088	Ladder to Toe Board Bracket	2
18	S-4303	Truss Bolt 5/16"-18 x 3/4" YDP Grade 8 or Grade 8.2	430
19	S-7927	Flange Bolt 3/8"-16 x 1" YDP Grade 8 or Grade 8.2	777
20	S-968	Flange Nut 3/8"-16 ZN Grade 5 Wide Flange	777
21	S-10171	Bolt, U-Bolt 5/16"-18 for 1-1/4" Pipe ZN	46
22	S-3611	Flange Nut 5/16"-18 YDP Grade 2	435
N/S	090-1709-6	Retainer Nut 5/16"-18 x 0.120" ZN	264
N/S	GT1-2144	Holding Plate, Inner Toe Board to Plank	132
N/S	S-10175	Extruded Nut 3/8"-16, Tapped Hole, 050-0.200 Panel Range, Black	264

# 12' Outside Fan Style Catwalk (GT4-1039-30F) (Continued)

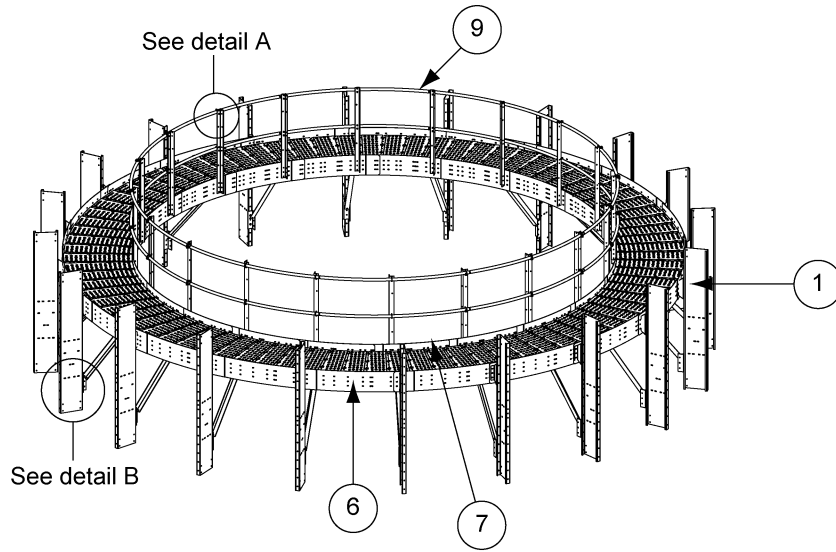




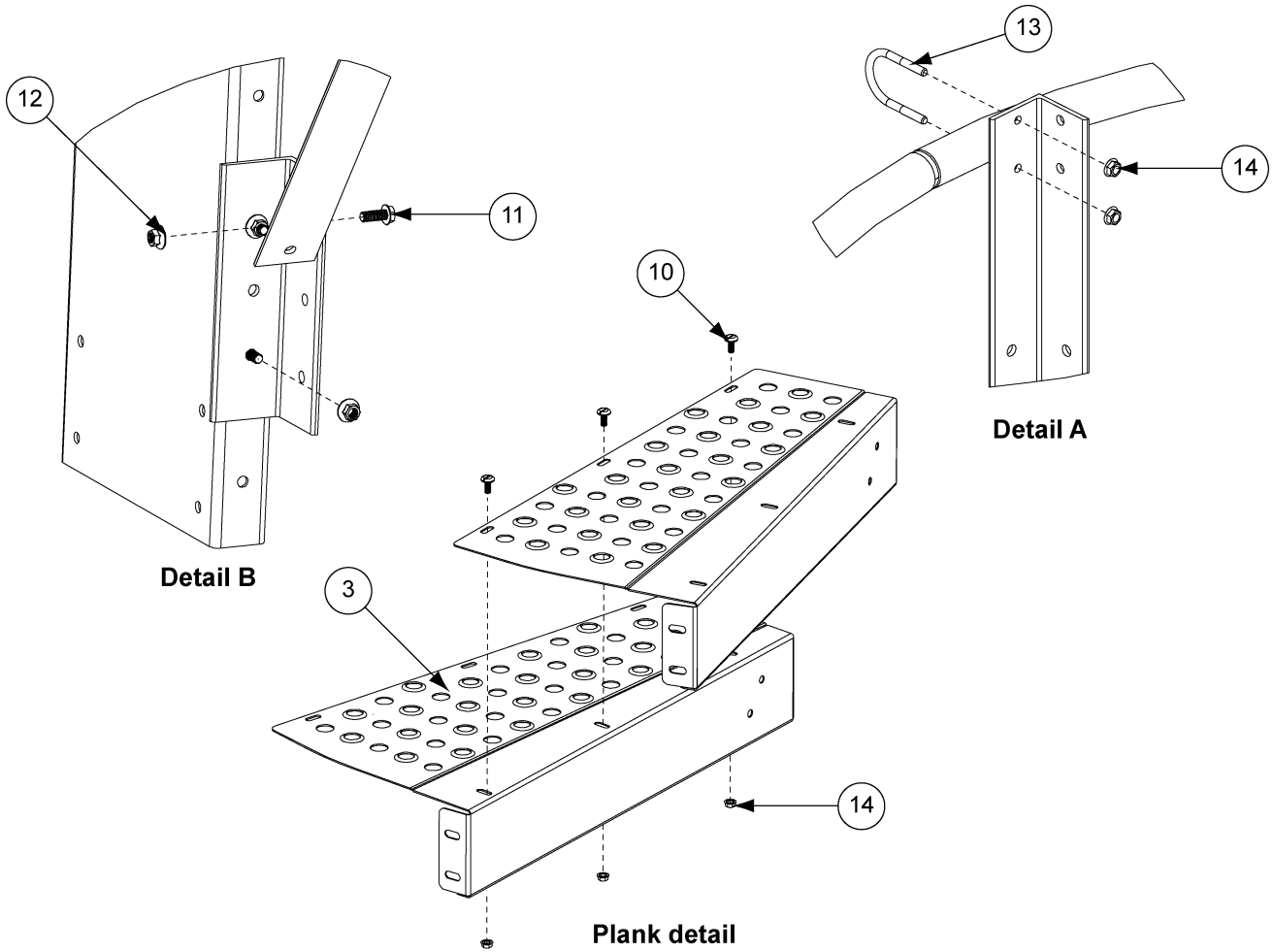
## 30' Outside Fan Style Catwalk (GT4-1039-30F) Parts List

Ref #	Part #	Description	Qty
1	GT1-0001	Vertical Channel	40
2	GT1-2036	Catwalk/Platform to Dryer Wall Bracket	20
3	GT1-2033	Plank	97
4	GT1-2039-BS	Outside/Inside Catwalk Diagonal Support - Bin Silver	20
5	GT1-2040-BS	Catwalk Support Clip - Bin Silver	20
6	GT1-2035	Inner Toe Board	19
7	GT1-2034	Outer Toe Board	20
8	GT1-2037-BS	Catwalk Vertical Support - Bin Silver	21
9	GT1-2086	Catwalk Plank Support	1
10	GT1-2038-30O	30' Outside Catwalk/Platform Handrail	30
11	GT1-2087	Swing Gate Support	2
12	GT1-0920	Catwalk End Handrail	4
13	GT4-1455	Ladder Safety Gate	2
14	GT1-2045	Platform End Plate	1
15	GT4-1465	Ladder Opening Inner Toe Board	1
16	GT1-2091	Swing Gate Stop Plate	1
17	GT1-2088	Ladder to Toe Board Bracket	2
18	S-4303	Truss Bolt 5/16"-18 x 3/4" YDP Grade 8 or Grade 8.2	430
19	S-7927	Flange Bolt 3/8"-16 x 1" YDP Grade 8 or Grade 8.2	777
20	S-968	Flange Nut 3/8"-16 ZN Grade 5 Wide Flange	777
21	S-10171	Bolt, U-Bolt 5/16"-18 for 1-1/4" Pipe ZN	46
22	S-3611	Flange Nut 5/16"-18 YDP Grade 2	435
N/S	090-1709-6	Retainer Nut 5/16"-18 x 0.120" ZN	264
N/S	GT1-2144	Holding Plate, Inner Toe Board to Plank	132
N/S	S-10175	Extruded Nut 3/8"-16, Tapped Hole, 050-0.200 Panel Range, Black	264

# 30' Inside Fan Style Catwalk (GT4-1043-30F)



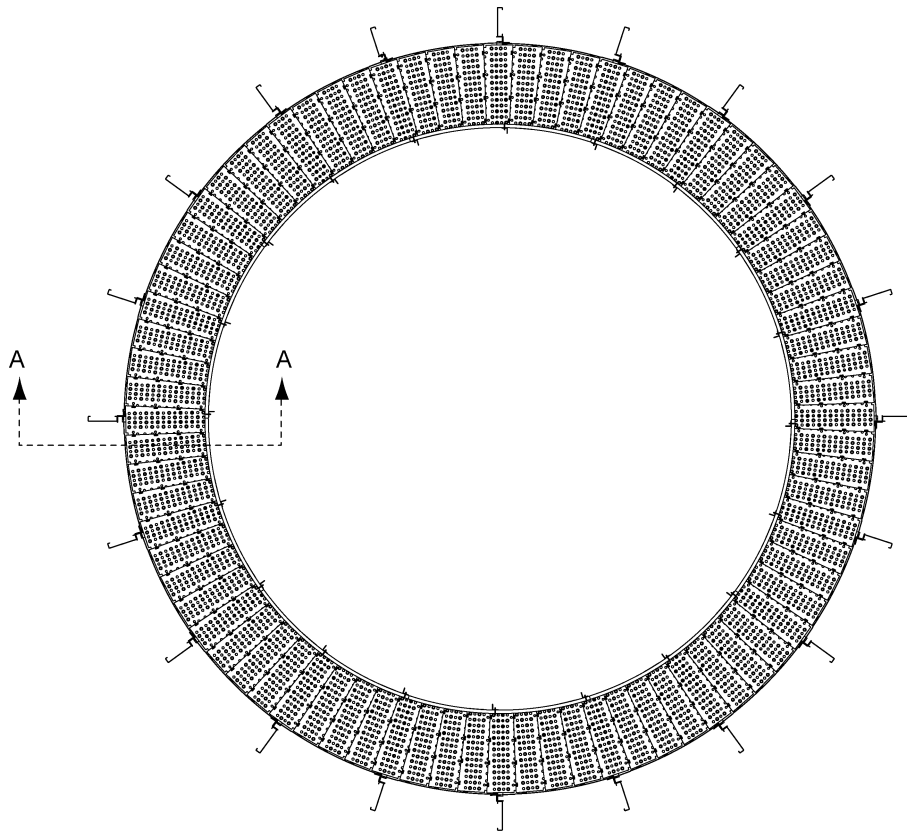
Isometric view



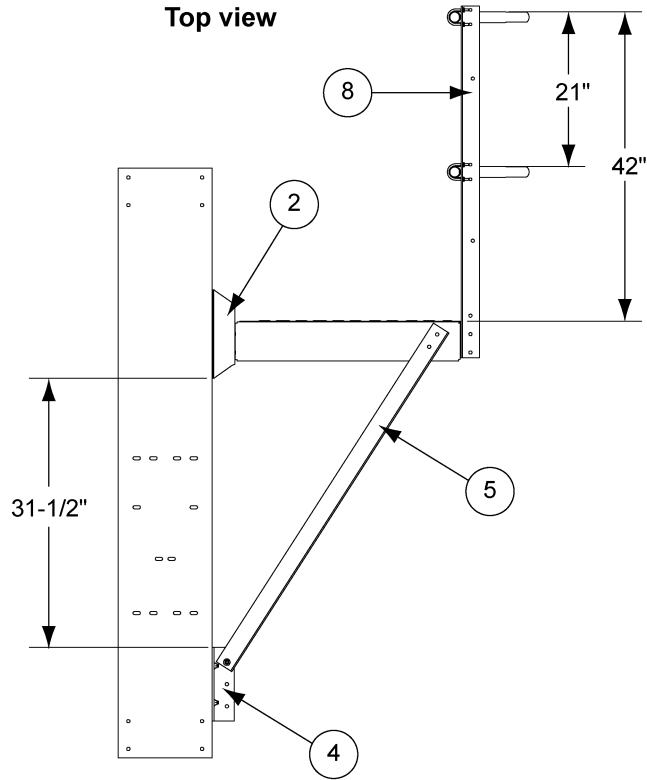
## 30' Inside Fan Style Catwalk (GT4-1043-30F) Parts List

Ref #	Part #	Description	Qty
1	GT1-0001	Vertical Channel	20
2	GT1-2036	Catwalk/Platform to Dryer Wall Bracket	20
3	GT1-2033	Plank	80
4	GT1-2040-BS	Catwalk Support Clip - Bin Silver	20
5	GT1-2039-BS	Outside/Inside Catwalk Diagonal Support - Bin Silver	20
6	GT1-2062	Outer Toe Board	20
7	GT1-2061	Inner Toe Board	20
8	GT1-2037-BS	Catwalk Vertical Support - Bin Silver	20
9	GT1-2038-30I	30' Inside Catwalk Handrail	18
10	S-4303	Truss Bolt 5/16"-18 x 3/4" YDP Grade 8 or Grade 8.2	352
11	S-7927	Flange Bolt 3/8"-16 x 1" YDP Grade 8 or Grade 8.2	572
12	S-968	Flange Nut 3/8"-16 ZN Grade 5 Wide Flange	572
13	S-10171	Bolt, U-Bolt 5/16"-18 for 1-1/4" Pipe ZN	44
14	S-3611	Flange Nut 5/16"-18 YDP Grade 2	440

### 30' Inside Fan Style Catwalk (GT4-1043-30F) (Continued)



Top view

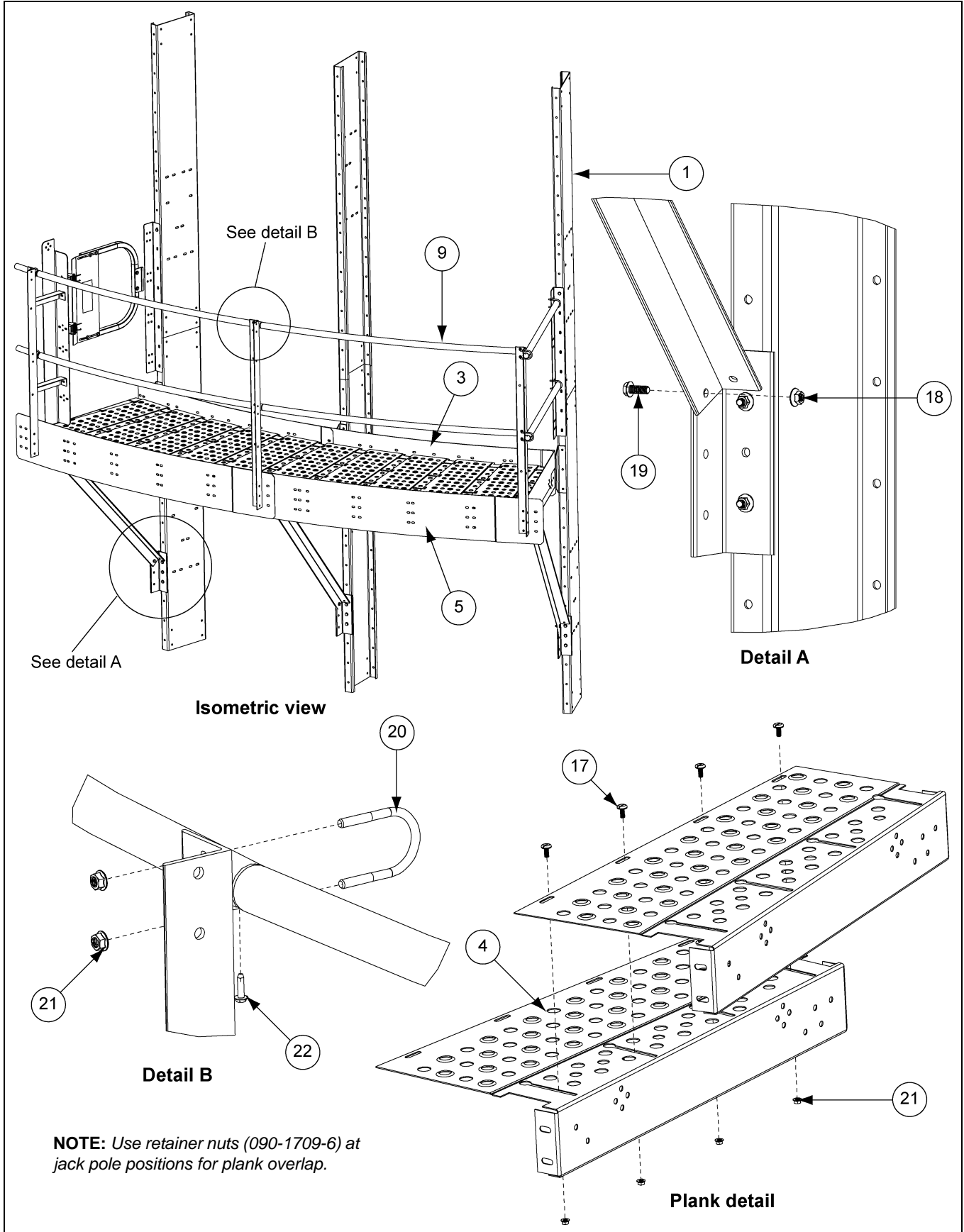


Section A-A

## 30' Inside Fan Style Catwalk (GT4-1043-30F) Parts List

Ref #	Part #	Description	Qty
1	GT1-0001	Vertical Channel	20
2	GT1-2036	Catwalk/Platform to Dryer Wall Bracket	20
3	GT1-2033	Plank	80
4	GT1-2040-BS	Catwalk Support Clip - Bin Silver	20
5	GT1-2039-BS	Outside/Inside Catwalk Diagonal Support - Bin Silver	20
6	GT1-2062	Outer Toe Board	20
7	GT1-2061	Inner Toe Board	20
8	GT1-2037-BS	Catwalk Vertical Support - Bin Silver	20
9	GT1-2038-30I	30' Inside Catwalk Handrail	18
10	S-4303	Truss Bolt 5/16"-18 x 3/4" YDP Grade 8 or Grade 8.2	352
11	S-7927	Flange Bolt 3/8"-16 x 1" YDP Grade 8 or Grade 8.2	572
12	S-968	Flange Nut 3/8"-16 ZN Grade 5 Wide Flange	572
13	S-10171	Bolt, U-Bolt 5/16"-18 for 1-1/4" Pipe ZN	44
14	S-3611	Flange Nut 5/16"-18 YDP Grade 2	440

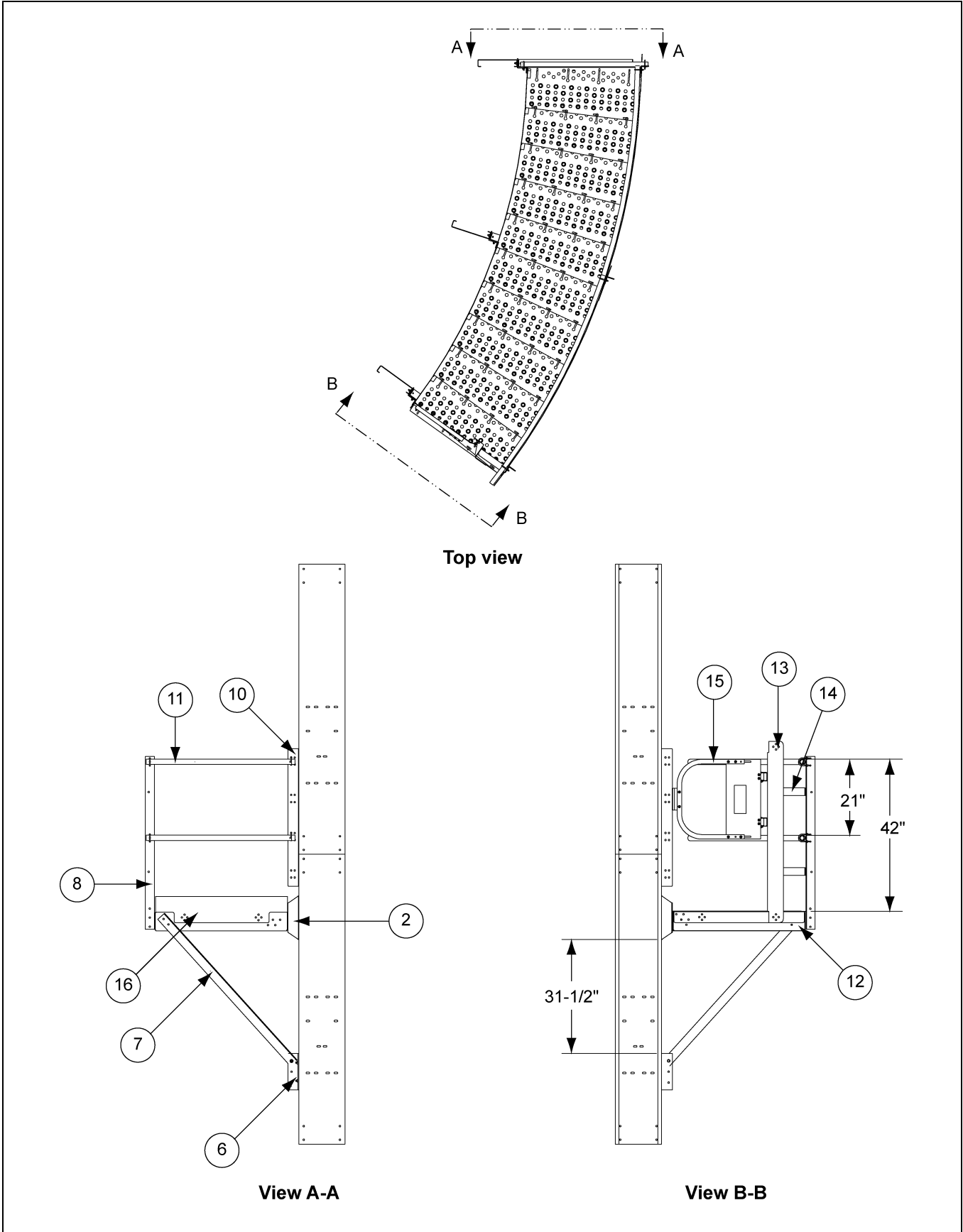
30' Offset Fan Style Platform (GT4-1047-30F)



## 30' Offset Fan Style Platform (GT4-1047-30F) Parts List

Ref #	Part #	Description	Qty
1	GT1-0001	Vertical Channel	6
2	GT1-2036	Catwalk/Platform to Dryer Wall Bracket	3
3	GT1-2035	Inner Toe Board	2
4	GT1-2033	Plank	10
5	GT1-2034	Outer Toe Board	2
6	GT1-2040-BS	Catwalk Support Clip - Bin Silver	3
7	GT1-2039-BS	Outside/Inside Catwalk Diagonal Support - Bin Silver	3
8	GT1-2037-BS	Catwalk Vertical Support - Bin Silver	3
9	GT1-2038-30O	12' Outside Catwalk/Platform Handrail	4
10	GT1-2045	Platform End Plate	2
11	GT1-2044	Platform End Handrail	2
12	GT1-2086	Catwalk Plank Support	1
13	GT1-2087	Swing Gate Support	1
14	GT1-0920	Catwalk End Handrail	2
15	GT4-1455	Ladder Safety Gate	1
16	GT1-2095	Platform End Toe Board	1
17	S-4303	Truss Bolt 5/16"-18 x 3/4" YDP Grade 8 or Grade 8.2	50
18	S-7927	Flange Bolt 3/8"-16 x 1" YDP Grade 8 or Grade 8.2	125
19	S-968	Flange Nut 3/8"-16 ZN Grade 5 Wide Flange	125
20	S-10171	Bolt, U-Bolt 5/16"-18 for 1-1/4" Pipe ZN	12
21	S-3611	Flange Nut 5/16"-18 YDP Grade 2	75
22	S-7466	Screw, SDS #10-16 x 3/4" HWH ZN Grade 2	5
N/S	090-1709-6	Retainer Nut 5/16"-18 x 0.120" ZN	25
N/S	GT1-2144	Holding Plate, Inner Toe Board to Plank	12
N/S	S-10175	Extruded Nut 3/8"-16, Tapped Hole, 050-0.200 Panel Range, Black	24

### 30' Offset Fan Style Platform (GT4-1047-30F) (Continued)

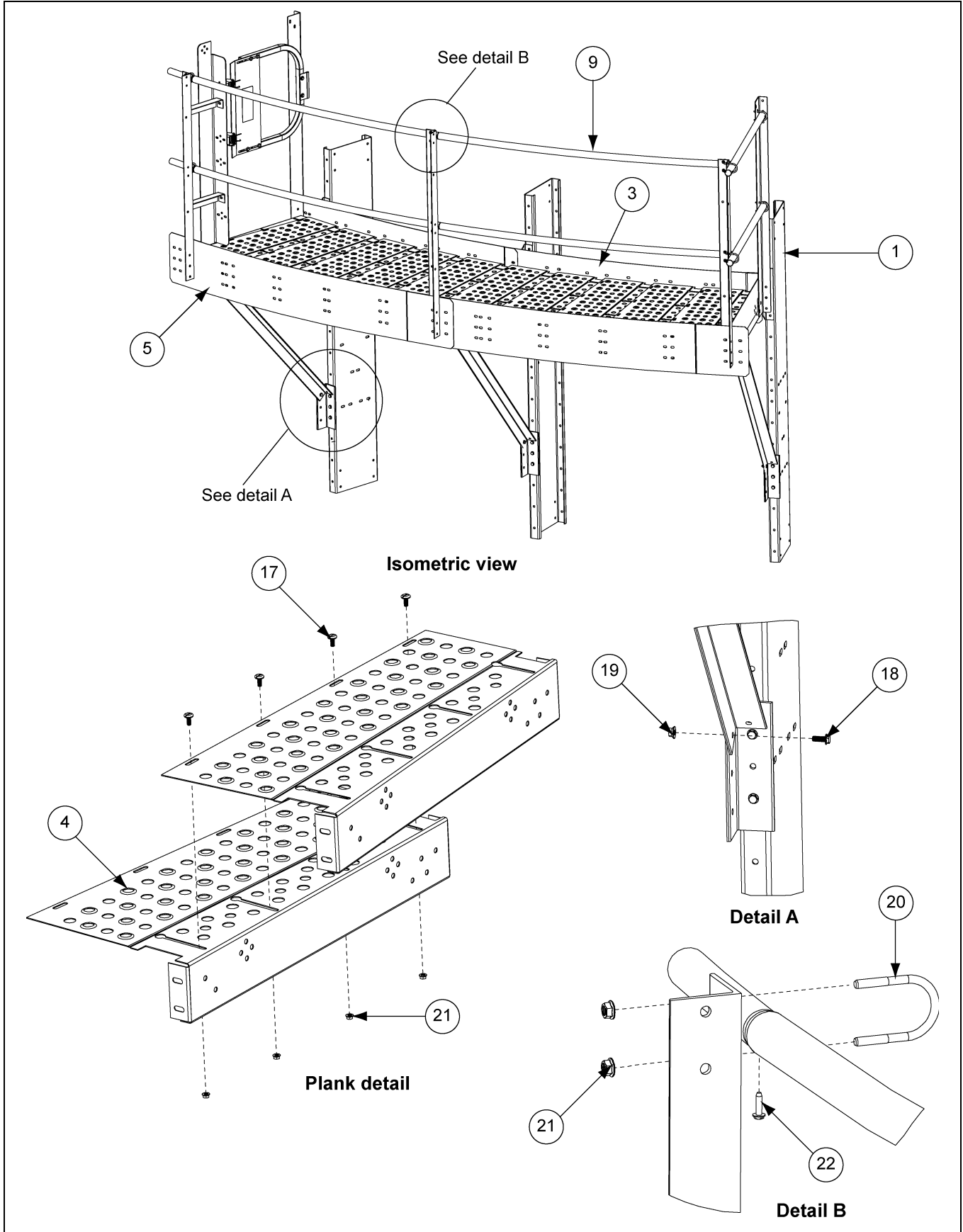




## 30' Offset Fan Style Platform (GT4-1047-30F) Parts List

Ref #	Part #	Description	Qty
1	GT1-0001	Vertical Channel	6
2	GT1-2036	Catwalk/Platform to Dryer Wall Bracket	3
3	GT1-2035	Inner Toe Board	2
4	GT1-2033	Plank	10
5	GT1-2034	Outer Toe Board	2
6	GT1-2040-BS	Catwalk Support Clip - Bin Silver	3
7	GT1-2039-BS	Outside/Inside Catwalk Diagonal Support - Bin Silver	3
8	GT1-2037-BS	Catwalk Vertical Support - Bin Silver	3
9	GT1-2038-30O	12' Outside Catwalk/Platform Handrail	4
10	GT1-2045	Platform End Plate	2
11	GT1-2044	Platform End Handrail	2
12	GT1-2086	Catwalk Plank Support	1
13	GT1-2087	Swing Gate Support	1
14	GT1-0920	Catwalk End Handrail	2
15	GT4-1455	Ladder Safety Gate	1
16	GT1-2095	Platform End Toe Board	1
17	S-4303	Truss Bolt 5/16"-18 x 3/4" YDP Grade 8 or Grade 8.2	50
18	S-7927	Flange Bolt 3/8"-16 x 1" YDP Grade 8 or Grade 8.2	125
19	S-968	Flange Nut 3/8"-16 ZN Grade 5 Wide Flange	125
20	S-10171	Bolt, U-Bolt 5/16"-18 for 1-1/4" Pipe ZN	12
21	S-3611	Flange Nut 5/16"-18 YDP Grade 2	75
22	S-7466	Screw, SDS #10-16 x 3/4" HWH ZN Grade 2	5
N/S	090-1709-6	Retainer Nut 5/16"-18 x 0.120" ZN	25
N/S	GT1-2144	Holding Plate, Inner Toe Board to Plank	12
N/S	S-10175	Extruded Nut 3/8"-16, Tapped Hole, 050-0.200 Panel Range, Black	24

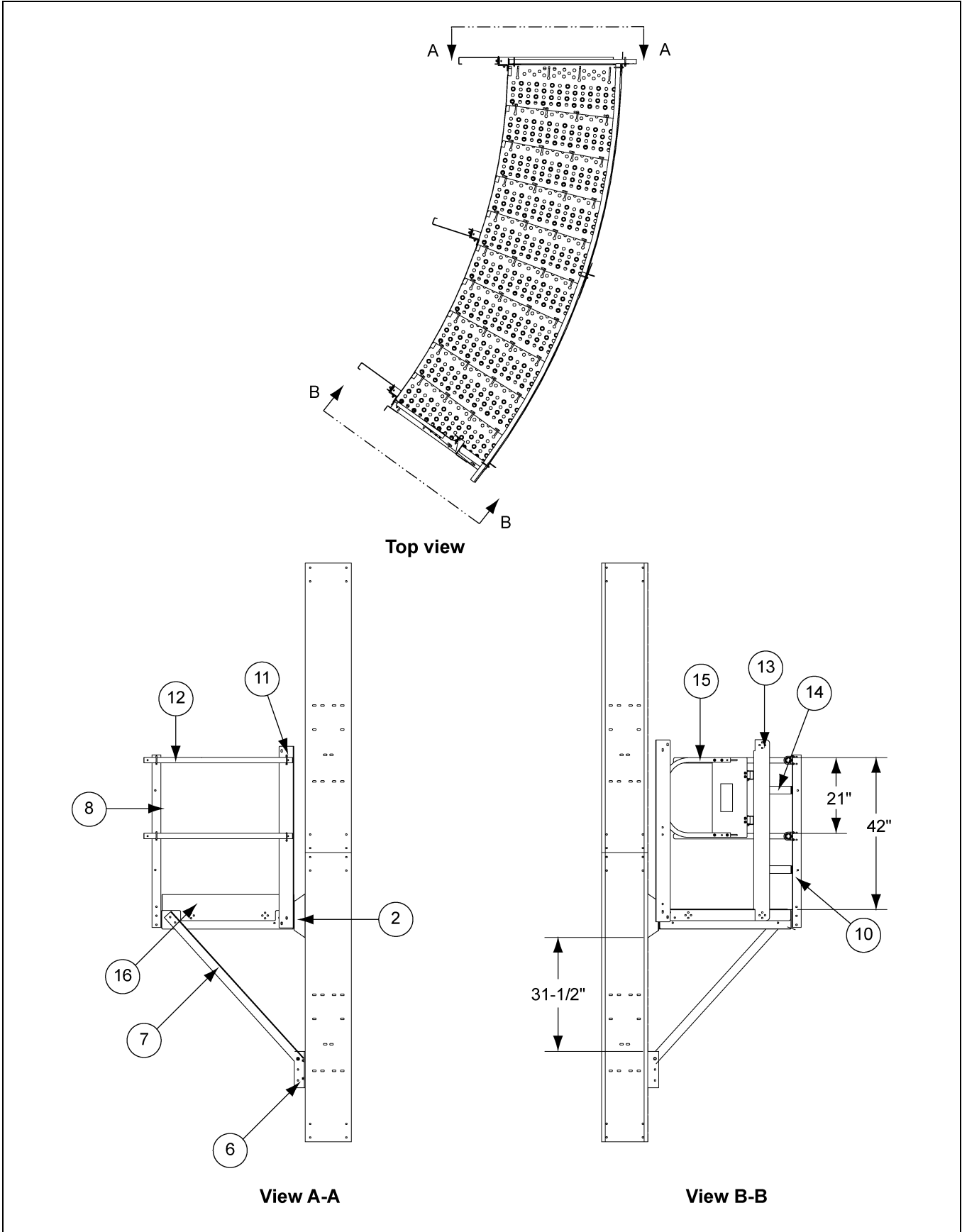
# 30' Roof Hatch Fan Style Platform (GT4-1051-30F)



## 30' Roof Hatch Fan Style Platform (GT4-1051-30F) Parts List

Ref #	Part #	Description	Qty
1	GT1-0001	Vertical Channel	3
2	GT1-2036	Catwalk/Platform to Dryer Wall Bracket	3
3	GT1-2035	Inner Toe Board	2
4	GT1-2033	Plank	10
5	GT1-2034	Outer Toe Board	2
6	GT1-2040-BS	Catwalk Support Clip - Bin Silver	3
7	GT1-2039-BS	Outside/Inside Catwalk Diagonal Support - Bin Silver	3
8	GT1-2037-BS	Vertical Support Handrail - Bin Silver	3
9	GT1-2038-300	12' Outside Catwalk/Platform Handrail	4
10	GT1-2086	Catwalk Plank Support	1
11	GT1-2091	Swing Gate Stop Plate	2
12	GT1-2044	Platform End Handrail	2
13	GT1-2087	Swing Gate Support	1
14	GT1-0920	Catwalk End Handrail	2
15	GT4-1455	Ladder Safety Gate	1
16	GT1-2095	Platform End Toe Board	1
17	S-4303	Truss Bolt 5/16"-18 x 3/4" YDP Grade 8 or Grade 8.2	50
18	S-7927	Flange Bolt 3/8"-16 x 1" YDP Grade 8 or Grade 8.2	125
19	S-968	Flange Nut 3/8"-16 ZN Grade 5 Wide Flange	125
20	S-10171	Bolt, U-Bolt 5/16"-18 for 1-1/4" Pipe ZN	12
21	S-3611	Flange Nut 5/16"-18 YDP Grade 2	75
22	S-7466	Screw, SDS #10-16 x 3/4" HWH ZN Grade 2	5
N/S	090-1709-6	Retainer Nut 5/16"-18 x 0.120" ZN	25
N/S	GT1-2144	Holding Plate, Inner Toe Board to Plank	12
N/S	S-10175	Extruded Nut 3/8"-16, Tapped Hole, 050-0.200 Panel Range, Black	24

### 30' Roof Hatch Fan Style Platform (GT4-1051-30F) (Continued)



## 30' Roof Hatch Fan Style Platform (GT4-1051-30F) Parts List

Ref #	Part #	Description	Qty
1	GT1-0001	Vertical Channel	3
2	GT1-2036	Catwalk/Platform to Dryer Wall Bracket	3
3	GT1-2035	Inner Toe Board	2
4	GT1-2033	Plank	10
5	GT1-2034	Outer Toe Board	2
6	GT1-2040-BS	Catwalk Support Clip - Bin Silver	3
7	GT1-2039-BS	Outside/Inside Catwalk Diagonal Support - Bin Silver	3
8	GT1-2037-BS	Vertical Support Handrail - Bin Silver	3
9	GT1-2038-300	12' Outside Catwalk/Platform Handrail	4
10	GT1-2086	Catwalk Plank Support	1
11	GT1-2091	Swing Gate Stop Plate	2
12	GT1-2044	Platform End Handrail	2
13	GT1-2087	Swing Gate Support	1
14	GT1-0920	Catwalk End Handrail	2
15	GT4-1455	Ladder Safety Gate	1
16	GT1-2095	Platform End Toe Board	1
17	S-4303	Truss Bolt 5/16"-18 x 3/4" YDP Grade 8 or Grade 8.2	50
18	S-7927	Flange Bolt 3/8"-16 x 1" YDP Grade 8 or Grade 8.2	125
19	S-968	Flange Nut 3/8"-16 ZN Grade 5 Wide Flange	125
20	S-10171	Bolt, U-Bolt 5/16"-18 for 1-1/4" Pipe ZN	12
21	S-3611	Flange Nut 5/16"-18 YDP Grade 2	75
22	S-7466	Screw, SDS #10-16 x 3/4" HWH ZN Grade 2	5
N/S	090-1709-6	Retainer Nut 5/16"-18 x 0.120" ZN	25
N/S	GT1-2144	Holding Plate, Inner Toe Board to Plank	12
N/S	S-10175	Extruded Nut 3/8"-16, Tapped Hole, 050-0.200 Panel Range, Black	24

---

# NOTES

## GSI Group, LLC Limited Warranty

The GSI Group, LLC ("GSI") warrants products which it manufactures to be free of defects in materials and workmanship under normal usage and conditions for a period of 12 months after sale to the original end-user or if a foreign sale, 14 months from arrival at port of discharge, whichever is earlier. The end-user's sole remedy (and GSI's only obligation) is to repair or replace, at GSI's option and expense, products that in GSI's judgment, contain a material defect in materials or workmanship. Expenses incurred by or on behalf of the end-user without prior written authorization from the GSI Warranty Group shall be the sole responsibility of the end-user.

### Warranty Extensions:

The Limited Warranty period is extended for the following products:

	Product	Warranty Period	
<b>AP Fans and Flooring</b>	Performer Series Direct Drive Fan Motor	3 Years	* Warranty prorated from list price: 0 to 3 years - no cost to end-user 3 to 5 years - end-user pays 25% 5 to 7 years - end-user pays 50% 7 to 10 years - end-user pays 75%
	All Fiberglass Housings	Lifetime	
	All Fiberglass Propellers	Lifetime	
<b>Cumberland Feeding/Watering Systems</b>	Feeder System Pan Assemblies	5 Years **	** Warranty prorated from list price: 0 to 3 years - no cost to end-user 3 to 5 years - end-user pays 50%
	Feed Tubes (1-3/4" and 2.00")	10 Years *	
	Centerless Augers	10 Years *	
	Watering Nipples	10 Years *	
<b>Grain Systems</b>	Grain Bin Structural Design	5 Years	
<b>Grain Systems Farm Fans Zimmerman</b>	Portable and Tower Dryers	2 Years	† Motors, burner components and moving parts not included. Portable dryer screens included. Tower dryer screens not included.
	Portable and Tower Dryer Frames and Internal Infrastructure †	5 Years	

GSI further warrants that the portable and tower dryer frame and basket, excluding all auger and auger drive components, shall be free from defects in materials for a period of time beginning on the twelfth (12<sup>th</sup>) month from the date of purchase and continuing until the sixtieth (60<sup>th</sup>) month from the date of purchase (extended warranty period). During the extended warranty period, GSI will replace the frame or basket components that prove to be defective under normal conditions of use without charge, excluding the labor, transportation, and/or shipping costs incurred in the performance of this extended warranty.

### Conditions and Limitations:

THERE ARE NO WARRANTIES THAT EXTEND BEYOND THE LIMITED WARRANTY DESCRIPTION SET FORTH ABOVE. SPECIFICALLY, GSI MAKES NO FURTHER WARRANTY OF ANY KIND, EXPRESS OR IMPLIED, INCLUDING, WITHOUT LIMITATION, WARRANTIES OF MERCHANTABILITY OR FITNESS FOR A PARTICULAR PURPOSE OR USE IN CONNECTION WITH: (I) PRODUCT MANUFACTURED OR SOLD BY GSI OR (II) ANY ADVICE, INSTRUCTION, RECOMMENDATION OR SUGGESTION PROVIDED BY AN AGENT, REPRESENTATIVE OR EMPLOYEE OF GSI REGARDING OR RELATED TO THE CONFIGURATION, INSTALLATION, LAYOUT, SUITABILITY FOR A PARTICULAR PURPOSE, OR DESIGN OF SUCH PRODUCTS.

GSI shall not be liable for any direct, indirect, incidental or consequential damages, including, without limitation, loss of anticipated profits or benefits. The sole and exclusive remedy is set forth in the Limited Warranty, which shall not exceed the amount paid for the product purchased. This warranty is not transferable and applies only to the original end-user. GSI shall have no obligation or responsibility for any representations or warranties made by or on behalf of any dealer, agent or distributor.

GSI assumes no responsibility for claims resulting from construction defects or unauthorized modifications to products which it manufactured. Modifications to products not specifically delineated in the manual accompanying the equipment at initial sale will void the Limited Warranty.

This Limited Warranty shall not extend to products or parts which have been damaged by negligent use, misuse, alteration, accident or which have been improperly/inadequately maintained. This Limited Warranty extends solely to products manufactured by GSI.

Prior to installation, the end-user has the responsibility to comply with federal, state and local codes which apply to the location and installation of products manufactured or sold by GSI.

This equipment shall be installed in accordance with the current installation codes and applicable regulations, which should be carefully followed in all cases. Authorities having jurisdiction should be consulted before installations are made.

**G S I G R O U P**



**GSI Group**  
**1004 E. Illinois St.**  
**Assumption, IL 62510-0020**  
**Phone: 1-217-226-4421**  
**Fax: 1-217-226-4420**  
**[www.gsiag.com](http://www.gsiag.com)**