

Modular Tower Dryers

Models:

TM-1008, TM-1010, TM-1012 AND TM-1015

Parts Manual

PNEG-2034

Version 4.1

Date: 09-22-20



PNEG-2034

All information, illustrations, photos, and specifications in this manual are based on the latest information available at the time of publication. The right is reserved to make changes at any time without notice.

Contents

Chapter 1	Rooftop Plenum	5
	Rooftop Plenum Assembly	6
	Peak Walk Around Catwalk Assembly	10
Chapter 2	Heat Section Module	13
	Heat Section Module Assembly	14
Chapter 3	Heat Section With Turners	15
	Heat Section With Turners Assembly	16
Chapter 4	Heat Section with Door	19
	Heat Section With Door Assembly	20
	18 in. Door Kit Assembly	22
Chapter 5	Burner Blower Section	23
	Burner Blower Section	24
	Heat Section Complete Assembly	26
	Burner Blower Assembly	27
	Pipetrains – Liquid Propane (LP)	31
	Pipetrains – Natural Gas (NG)	59
Chapter 6	Unload Section	73
	Unload Module	74
	Door Assembly	88
	Outside Platform	90
	Moisture Sensor Housing Assembly	91
	Moisture Sampler Blower	93
	Sweep	95
Chapter 7	Catwalk Assembly	97
	Catwalk Assembly	98
Chapter 8	Ladder Assembly	99
	Upper Ladder Section	100
	Middle Ladder Section	102
	Lower Ladder Section	104
Chapter 9	Control Box	107
	Control Box	107
Chapter 10	Sensors	111
	Sensors	111
	Limited Warranty — N.A. Grain Products	117

NOTES

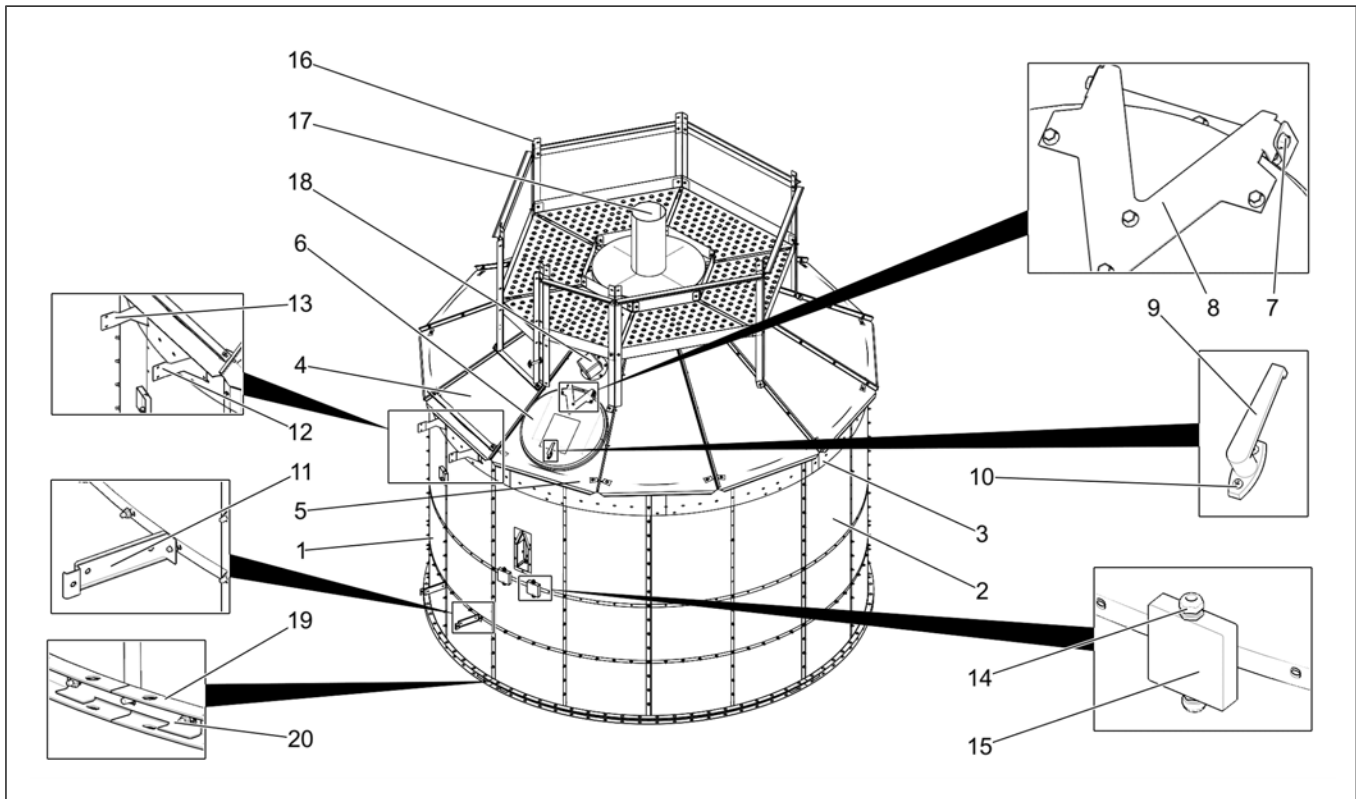
1 Rooftop Plenum

Topics Covered in this Chapter

- Rooftop Plenum Assembly
- Peak Walk Around Catwalk Assembly

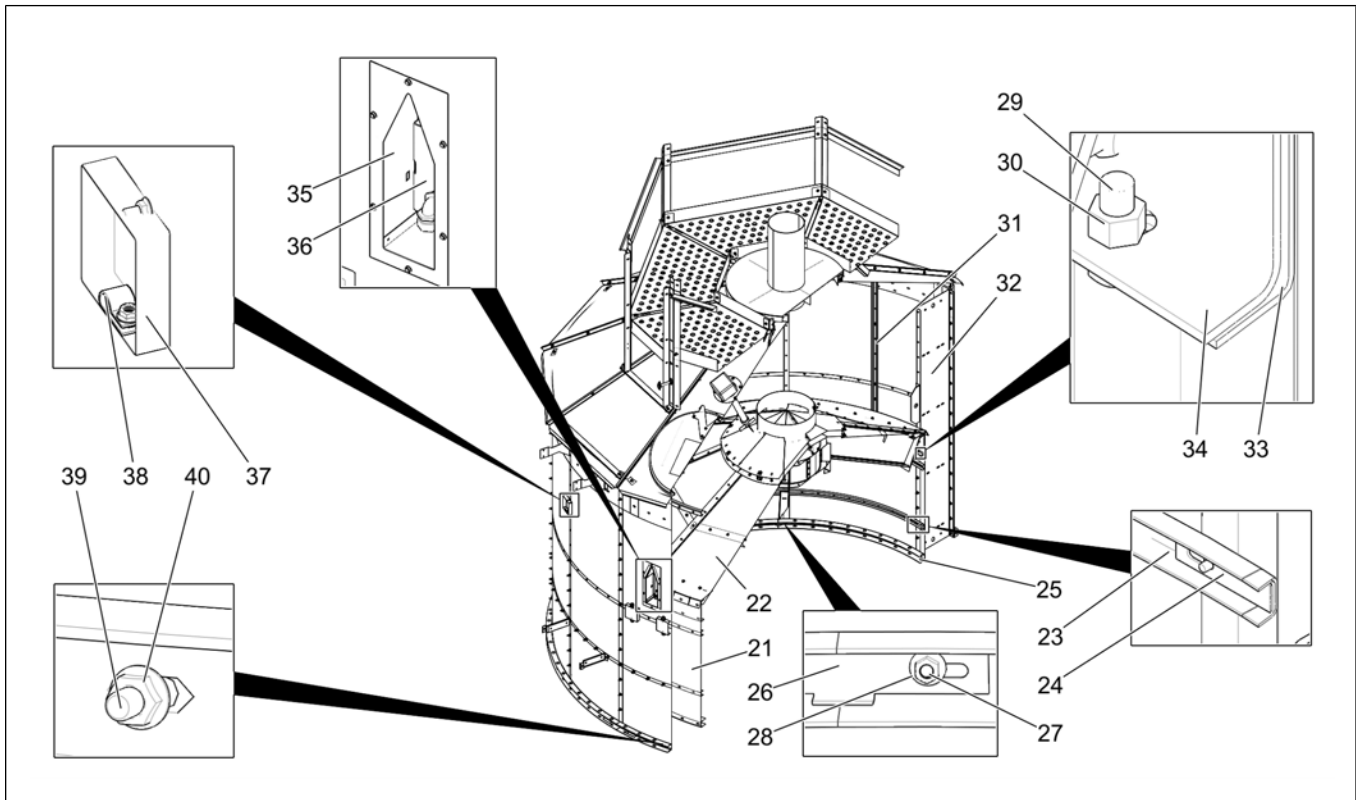
Rooftop Plenum Assembly

Figure 1-1 Rooftop Plenum Assembly (GT4-7001)



Item	Part Number	Description
1	GT1-5618	Sheet, Half Wall, 16 Channels - 0.078 in. Perforated, 20 GA SS- Corrugated
2	GT1-5102-SS	Rooftop Solid Sheet - Stainless
3	GT1-5303	Roof Band
4	GT1-5792	Roof Sheet
5	GT4-7224	Roof Hatch Access Sheet With Sill
6	ACD-4504	Access Door Cover
7	ACD-4506	Access Door Hinge Bracket
8	ACD-4505	Access Door Hinge
9	ACD-4513	Handle, Access Door 3 in.
10	S-2009	Screw, MS #10-24 X 5/8 OHP Zinc Grade 2
11	LDR-4314	Ladder Standoff
12	LDR-4346	LH Starting Placement Bracket
13	LDR-4347	RH Starting Placement Bracket
14	GT3-0243	Adapter, Connector, Sealtite STR 1/2 in. Thomas&Betts #5332 1/2 in.
15	GT3-0058	Gang Box
16	GT4-7216	Peak Walk Around Catwalk (See Peak Walk Around Catwalk Assembly, page 10)
17	GT1-0221	Fill Weldment
18	GT4-5039	RA6 Bindicator Assembly
19	GT1-5615	Outside Mounting Ring
20	GT1-5629	Splice Plate, Outside Ring

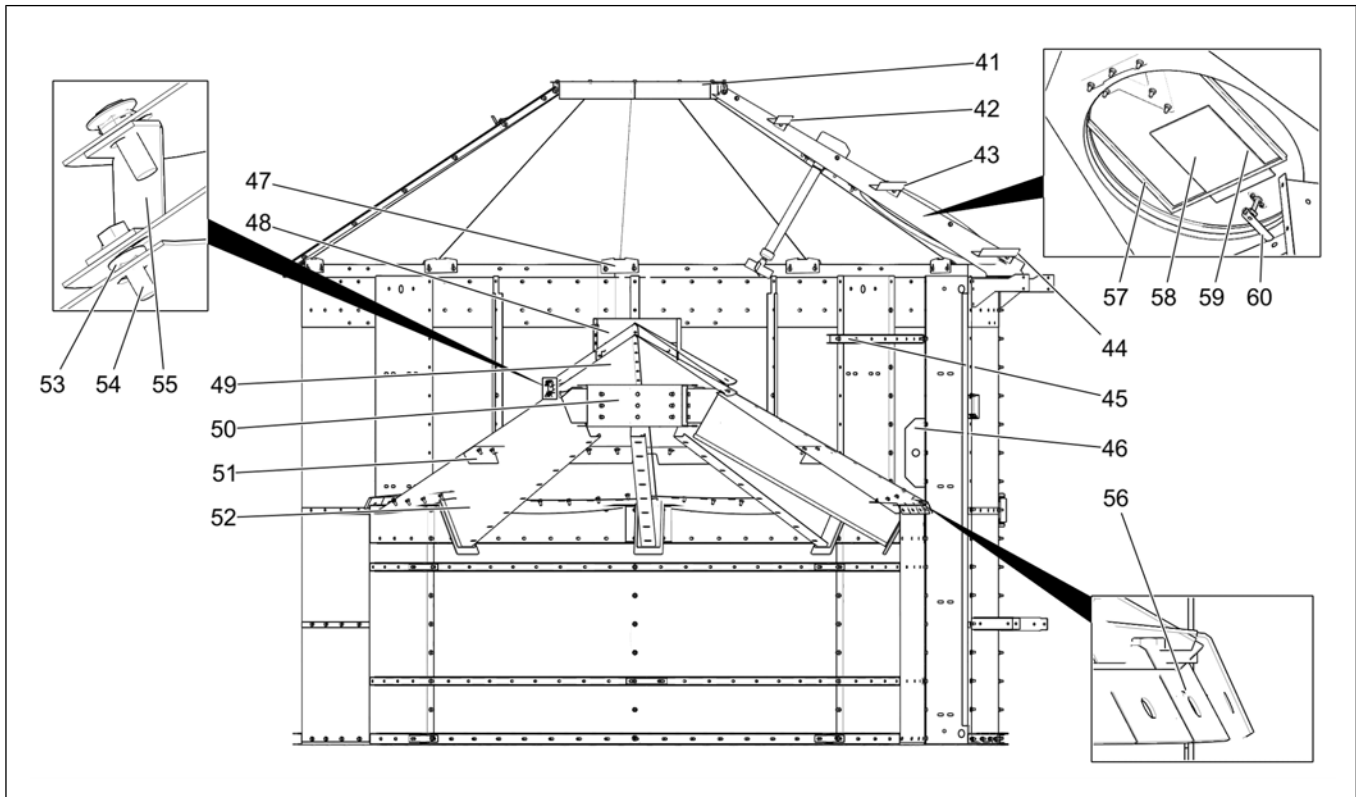
Figure 1-2 Rooftop Plenum Assembly (GT4-7001) (Sectioned)



Item	Part Number	Description
21	GT1-5101	Sheet, Wall, Inside Dryer - 0.078 in. Perforation
22	GT1-5300	Plenum Roof Sheet
23	GT1-5005	Rolled Plenum Channel
24	GT1-5095	Inside Ring Splice
25	GT1-5630	Inside Mounting Ring
26	GT1-5153	Plenum Channel Splice
27	S-7485	Bolt, Flanged 3/8-16 X 1 YDP Grade 8 or 8.2
28	S-968	Nut, Flanged 3/8-16 Zinc/Clear Grade 5 Wide Flange
29	S-7469	Bolt, HHCS 3/8-16 X 1 in. Zinc Grade 5
30	S-456	Nut 3/8-16
31	GT1-5628	Column Stiffener
32	GT1-5626	82.0 in. Vertical 12 GA Channel
33	GT1-5302	Rooftop Eave Channel
34	GT1-0451	Splice, Plenum Roof Eave 12 ft.
35	602N175	Column Sensor Bracket With Decal & Hardware
36	GT4-7187-2	Moisture Control Assembly
37	GT4-0148	Exhaust Hi-Limit - Single
38	GT3-0202	Clamp, Insulated
39	S-7447	Bolt, Flanged 5/16-18 X 1 SS – Full Thread
40	S-8452	Nut, Flanged 5/16-18 SS Waxed – Must Be Waxed

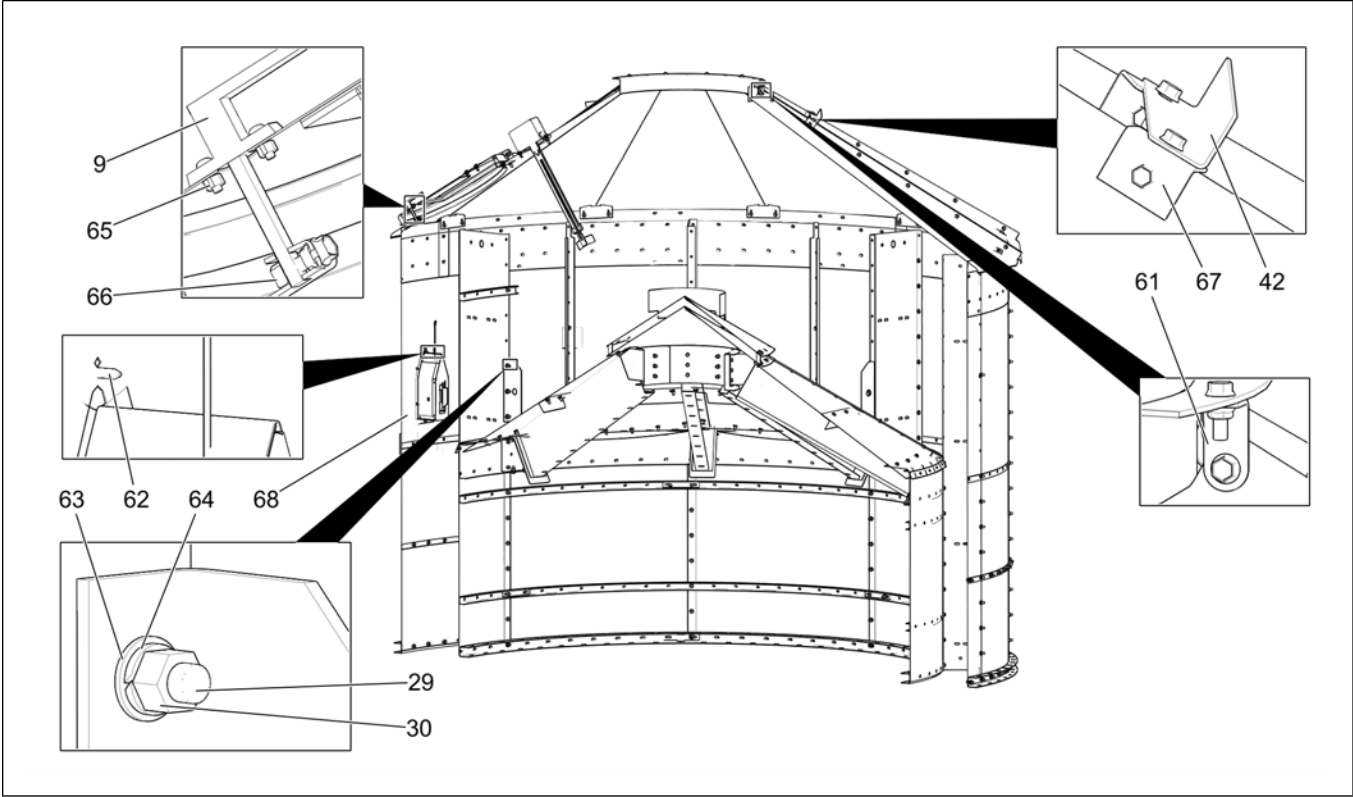
Chapter 1: Rooftop Plenum

Figure 1-3 Rooftop Plenum Assembly (GT4-7001) (Back View - Sectioned)



Item	Part Number	Description
41	GT1-5307	Roof Center Collar
42	LS-260-4	13 1/4 in. Ladder Rung
43	LS-260-10	23 3/4 in. Ladder Rung
44	LS-260-16	34 1/4 in. Ladder Rung
45	GT1-5673	Rolled Plenum Channel - Short
46	GT1-5125	Lifting Lug
47	GT1-5304	Roof Bracket/Eave Clip
48	GT1-0071	Hopper, Plenum Roof Fill
49	GT1-5018	Plenum Roof Center Cone
50	GT1-5004	Collar, Plenum Roof Center
51	GT1-5311	Plenum Roof Cross Member
52	GT4-5000RWR	Roof RH Rafter Weldment
53	S-10268	Nut, Flanged 5/16-18 JS500 Grade 5
54	S-7470	Bolt, Flanged 5/16-18 X 1 Zinc Grade 5
55	GT1-0237	Center Cone Offset
56	GT1-5301	Bracket, Plenum Center Cone Offset
57	S-4380	Trim Bulb Seal
58	DC-GBC-1S	Decal, Suffocation/Flighting – Spanish
59	DC-GBC-1A	Decal, Suffocation/Flighting – English
60	ACD-4514	Latch Bar

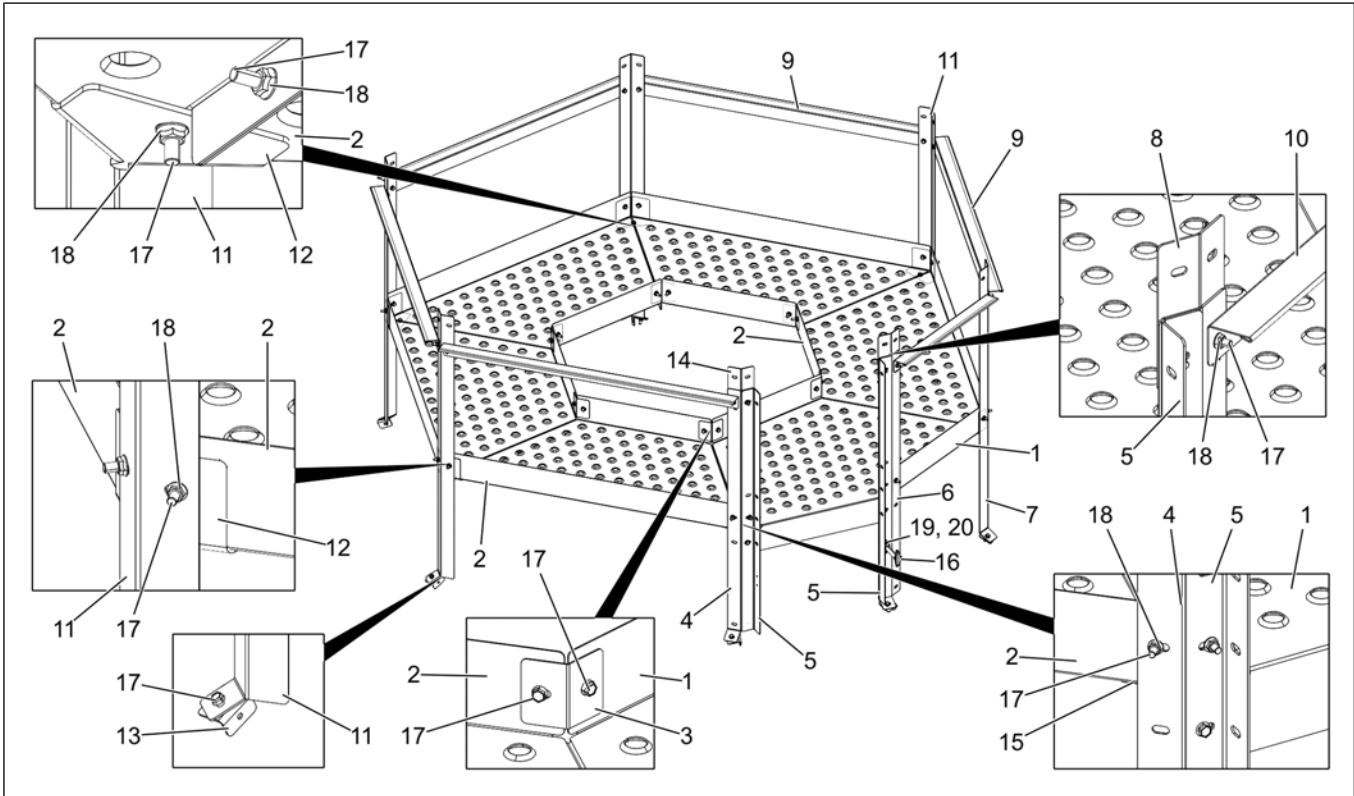
Figure 1-4 Rooftop Plenum Assembly (GT4-7001) (Front View - Sectioned)



Item	Part Number	Description
61	GT1-5306	Roof Brace
62	S-280	Screw SDS #10-16 X 5/8 HWH Zinc
63	S-7409	Washer, Flat 3/8 SAE Zinc
64	S-1054	Lock Washer, 3/8
65	S-2010	Nut, Nylon Lock #10-24 Zinc Grade 2
66	S-5220	Nut, Lock 5/16-18 Grade 2
67	GT1-5021	L-Bracket
68	GT1-5102-SM	Rooftop Solid Sheet – Stainless
NS	1EL3045	Conduit, Liquidtight, 1/2 in.
NS	401176	Connector, Type Orange Ideal - 73B

Peak Walk Around Catwalk Assembly

Figure 1-5 Peak Walk Around Catwalk Assembly (GT4-7216)



Item	Part Number	Description
1	GT1-5768	Modular: Plank, Roof Top Entry Walk Around
2	GT1-5767	Plank, Roof Top Walk Around
3	GT1-5740	Modular: Bracket, Inner, Plank Connector
4	GT1-5772	Modular: Support, Vert 60/30, Peak Walk Around
5	GT1-5742	Modular: Angle, Peak Walk Around Entry
6	GT1-5771	Modular: Support, Vertical 30/30, Peak Walk Around
7	GT1-5770	Modular: Support, Vertical 30/60, Peak Walk Around
8	GT1-5747	Modular: Angle, Splice, Vertical Peak Support
9	GT1-5137	Modular: Handrail, Roof Top Walk Around, Long
10	GT1-5145	Modular: Handrail, Roof Top Walk Around, Short
11	GT1-5773	Modular: Handrail, Roof Top Walk Around, Short
12	GT1-5774	Modular: Bracket, Plank Connector
13	GT1-5130	Modular: Bracket, Roof Top Walk Around Support

Item	Part Number	Description
14	GT1-5748	Modular: Angle, Splice, 135 Degree Vertical Peak Support
15	GT1-5769	Modular: Bracket, Plank Connector
16	GT3-0106	Latch, Hood Horizontal Mount SS
17	S-7470	Bolt, Flanged 5/16-18 X 1 Zinc Grade 5
18	S-10268	Nut, Flanged 5/16-18 JS500 Grade 5
19	S-2009	Screw, MS #10-24 X 5/8 OHP Zinc Grade 2
20	S-2010	Nut, Nylon Lock #10-24 Zinc Grade 2

NOTES

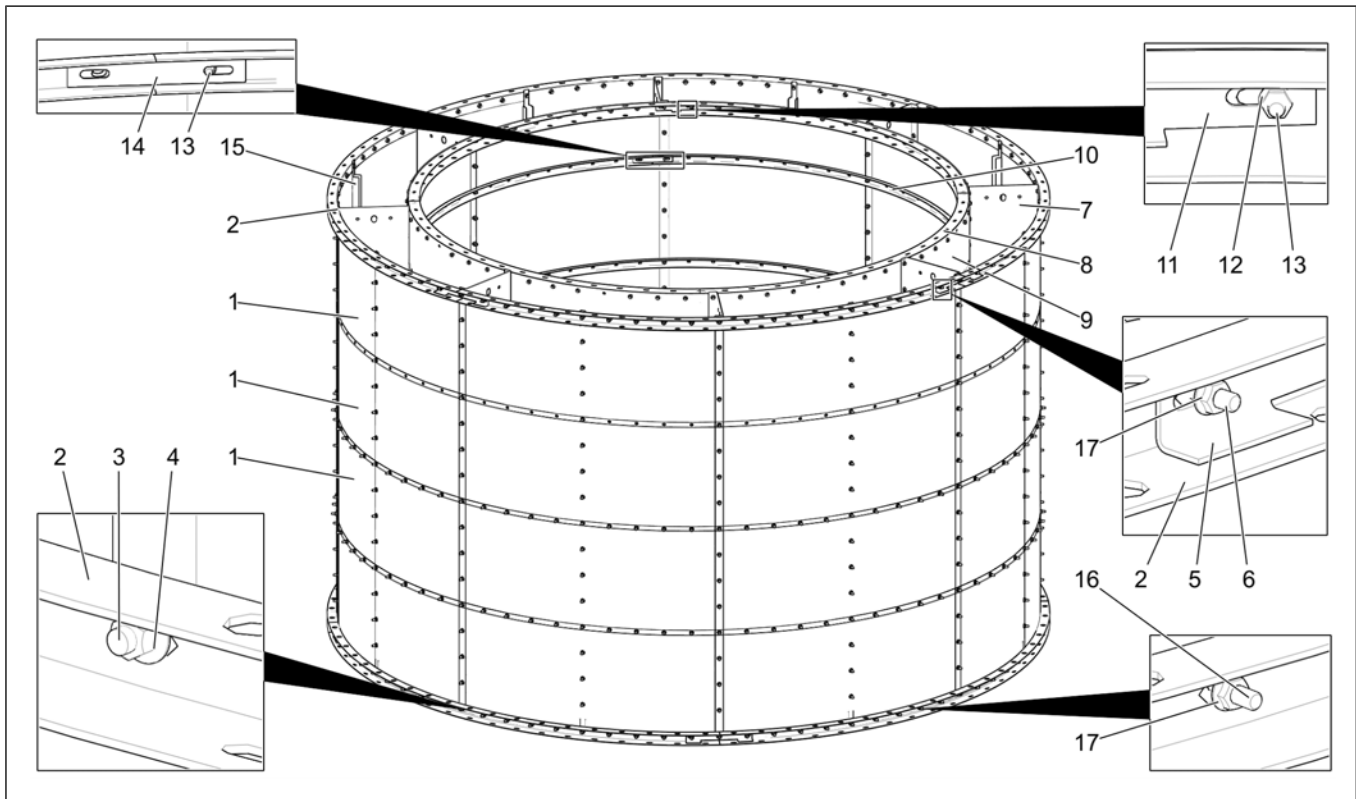
2 Heat Section Module

Topics Covered in this Chapter

- Heat Section Module Assembly

Heat Section Module Assembly

Figure 2-1 Heat Section Module Assembly (GT4-7000)



Item	Part Number	Description
1	GT1-5618	Sheet, Half Wall, 16 Channels - 0.078 in. Perforated, 20 GA SS - Corrugated
2	GT1-5615	Outside Mounting Ring
3	S-7485	Bolt, Flanged 3/8-16 X 1 YDP Grade 8 or 8.2
4	S-968	Nut, Flanged 3/8-16 Zinc/Clear Grade 5 Wide Flange
5	GT1-5629	Splice Plate, Outside Ring
6	S-7447	Bolt, Flanged 5/16-18 X 1 SS - Full Thread
7	GT1-5626	82.0 in. Vertical 12 GA Channel
8	GT1-5630	Inside Mounting Ring
9	GT1-5101	Sheet, Wall, Inside Dryer - 0.078 in. Perforation
10	GT1-5005	Rolled Plenum Channel
11	GT1-5153	Plenum Channel Splice
12	S-10268	Nut, Flanged 5/16-18 JS500 Grade 5
13	S-7470	Bolt, Flanged 5/16-18 X 1 Zinc Grade 5
14	GT1-5095	Inside Ring Splice
15	GT1-5628	Column Stiffener
16	S-7447	Bolt, Flanged 5/16-18 X 1 SS - Full Thread
17	S-8452	Nut, Flanged 5/16-18 SS Waxed - Must Be Waxed

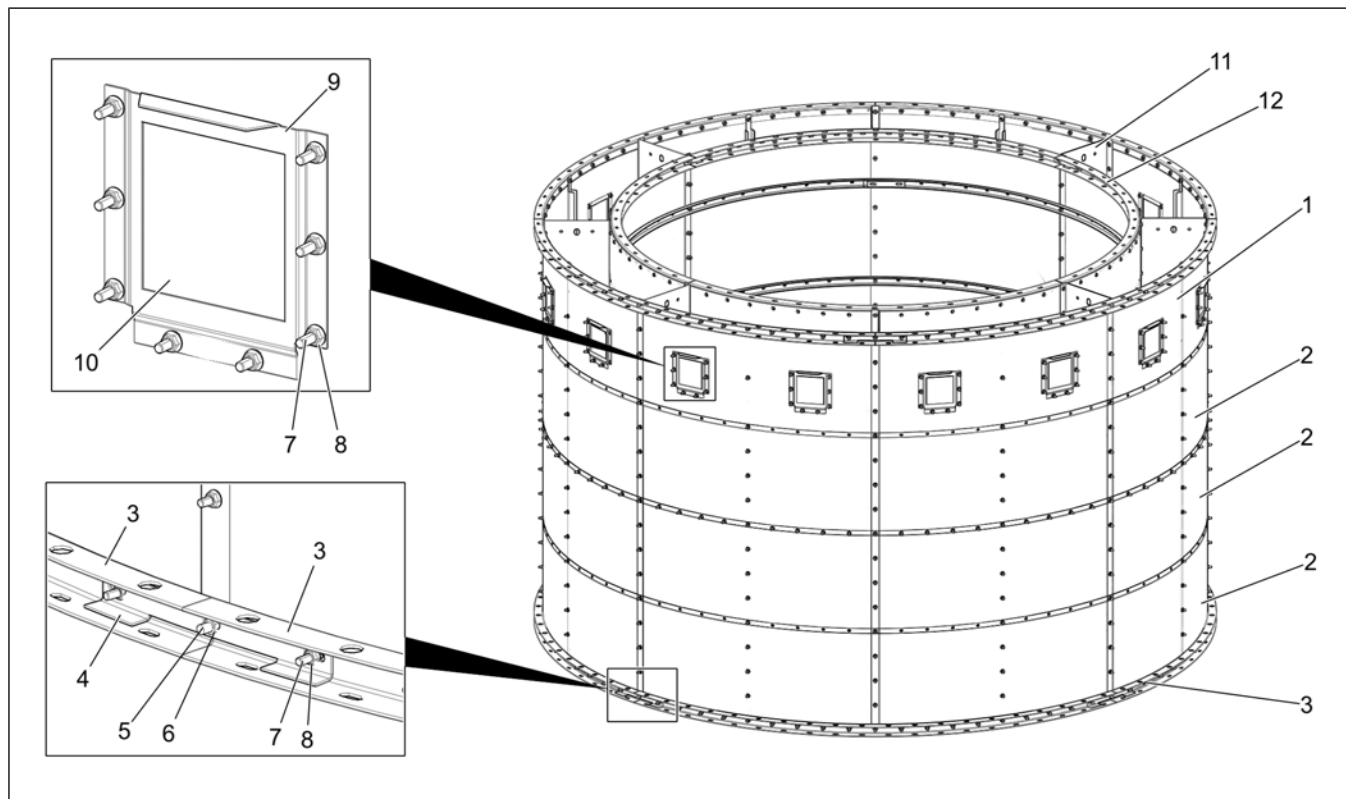
3 Heat Section With Turners

Topics Covered in this Chapter

- Heat Section With Turners Assembly

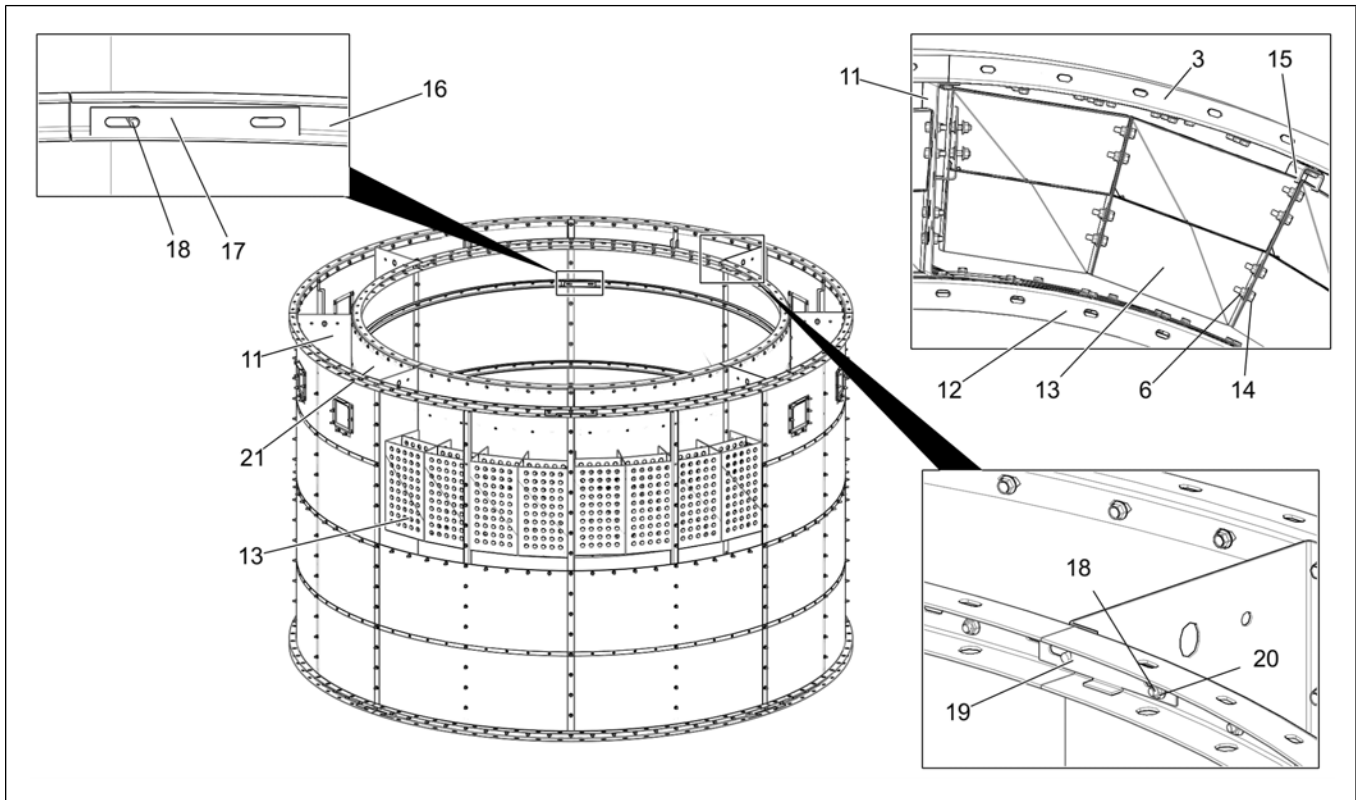
Heat Section With Turners Assembly

Figure 3-1 Heat Section With Turners Assembly (GT4-7007)



Item	Part Number	Description
1	GT1-5620	Turner - Wall Half Sheet, 20 GA SS - Corrugated
2	GT1-5618	Sheet, Half Wall, 16 Channels - 0.078 in. Perforated, 20 GA SS - Corrugated
3	GT1-5615	Outside Mounting Ring
4	GT1-5629	Splice Plate, Outside Ring
5	S-7485	Bolt, Flanged 3/8-16 X 1 YDP Grade 8 or 8.2
6	S-968	Nut, Flanged 3/8-16 Zinc/Clear Grade 5 Wide Flange
7	S-7447	Bolt, Flanged 5/16-18 X 1 SS - Full Thread
8	S-8452	Nut, Flanged 5/16-18 SS Waxed - Must Be Waxed
9	GT1-0074	Port, Discharge
10	GT1-0075	Plate, Discharge
11	GT1-5626	82.0 in. Vertical 12 GA Channel
12	GT1-5630	Inside Mounting Ring

Figure 3-2 Heat Section With Turners Assembly (GT4-7007) (Continued)



Item	Part Number	Description
13	GT1-5500	Buffered Turner Unit
14	S-9065	Bolt Flanged 3/8-16 X 1 Zinc/Clear Grade 5
15	GT1-5628	Column Stiffener
16	GT1-5005	Rolled Plenum Channel
17	GT1-5095	Inside Ring Splice
18	S-7470	Bolt, Flanged 5/16-18 X 1 Zinc Grade 5
19	GT1-5153	Plenum Channel Splice
20	S-10268	Nut, Flanged 5/16-18 JS500 Grade 5
21	GT1-5101	Sheet, Wall, Inside Dryer - 0.078 in. Perforation

NOTES

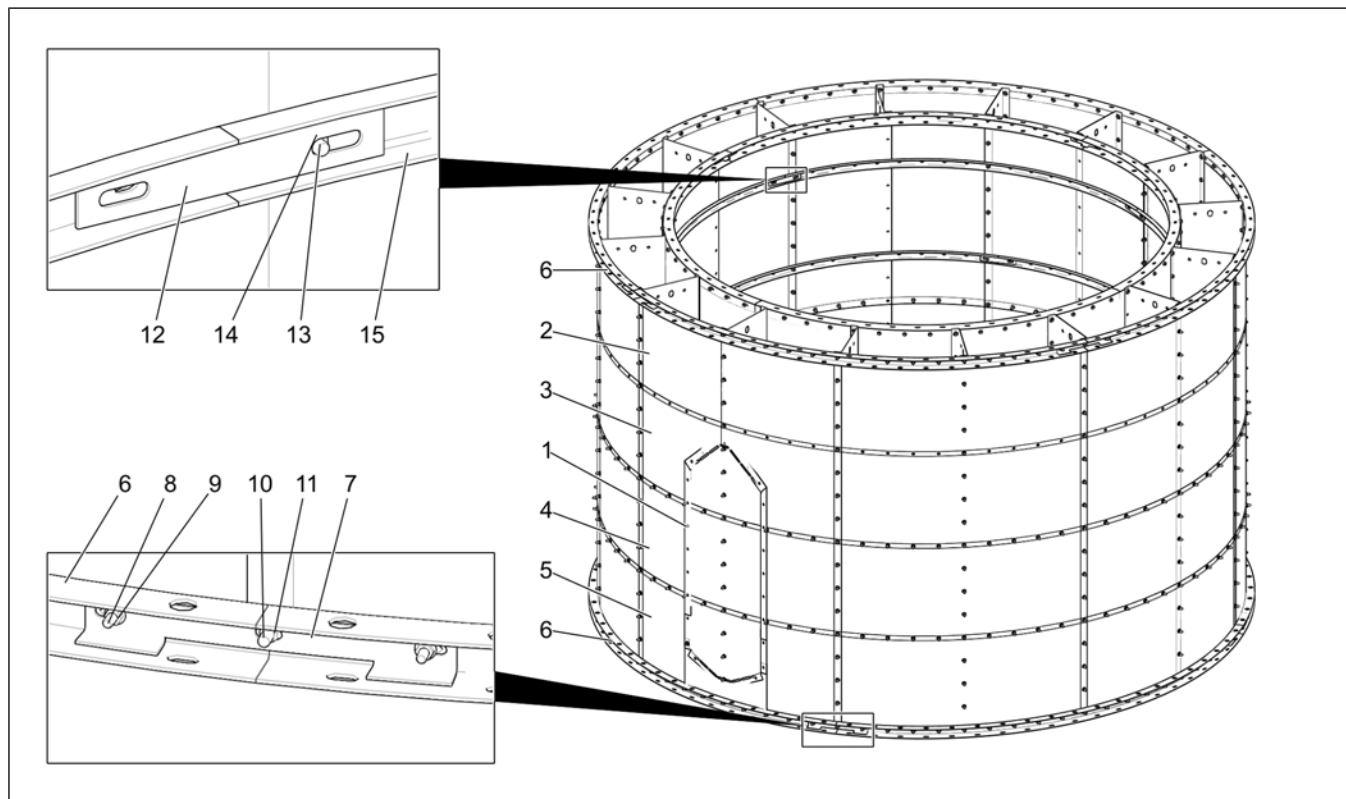
4 Heat Section with Door

Topics Covered in this Chapter

- Heat Section With Door Assembly
- 18 in. Door Kit Assembly

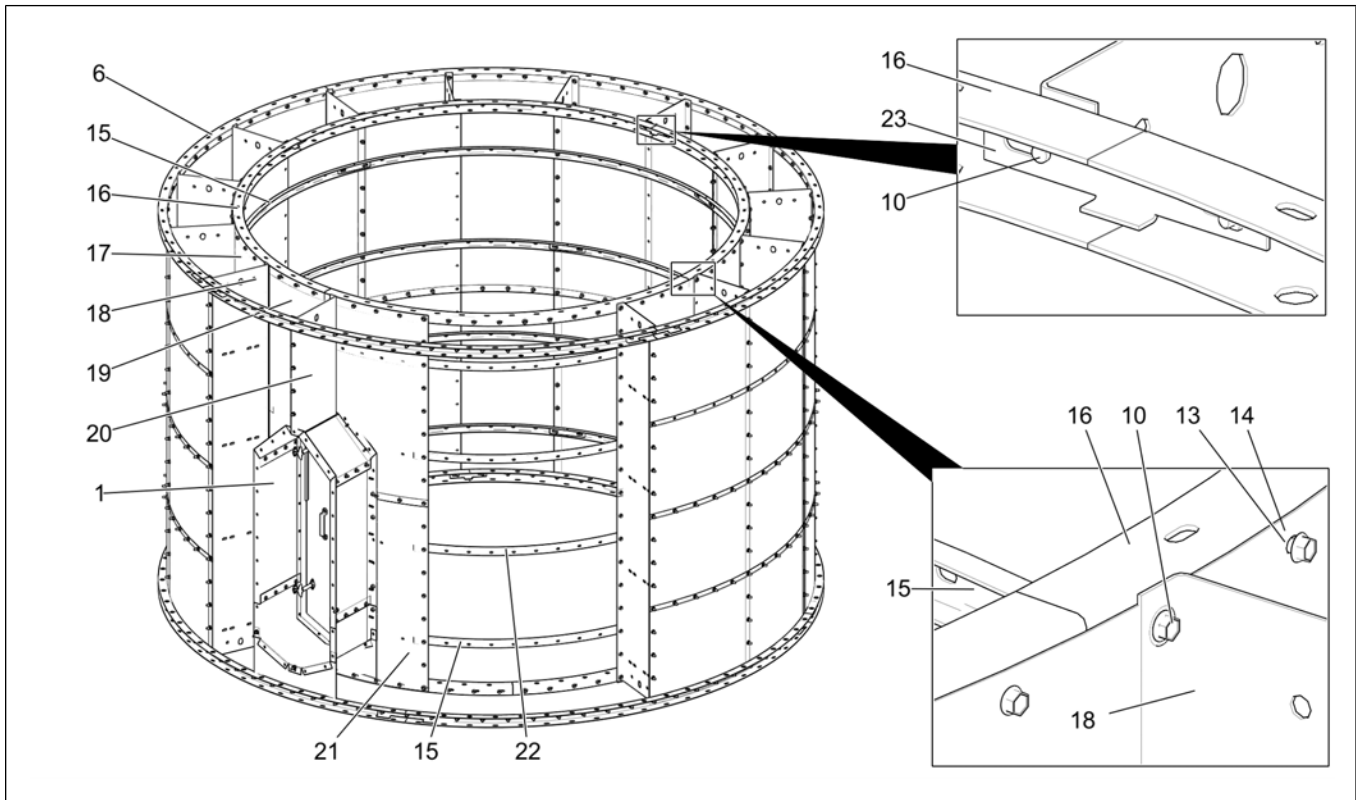
Heat Section With Door Assembly

Figure 4-1 Heat Section With Door Assembly (GT4-7004)



Item	Part Number	Description
1	GT4-5653	18 in. Door Kit - Heat Section
2	GT1-5618	Sheet, Half Wall, 16 Channels - 0.078 in. Perforated, 20 GA SS - Corrugated
3	GT1-5680	Outer Perforated SS Wall Sheet, Door Section, Top Cutout - Corrugated
4	GT1-5678	Outer Perforated SS Wall Sheet, Door Section, Middle Cutout - Corrugated
5	GT1-5675	Outer Perforated SS Wall Sheet, Door Section, Bottom Cutout - Corrugated
6	GT1-5615	Outside Mounting Ring
7	GT1-5629	Splice Plate, Outside Ring
8	S-7447	Bolt, Flanged 5/16-18 X 1 SS - Full Thread
9	S-8452	Nut, Flanged 5/16-18 SS Waxed - Must Be Waxed
10	S-7485	Bolt, Flanged 3/8-16 X 1 YDP Grade 8 or 8.2
11	S-968	Nut, Flanged 3/8-16 Zinc/Clear Grade 5 Wide Flange
12	GT1-5095	Inside Ring Splice
13	S-7470	Bolt, Flanged 5/16-18 X 1 Zinc Grade 5
14	S-10268	Nut, Flanged 5/16-18 JS500 Grade 5
15	GT1-5005	Modular Rolled Plenum Channel

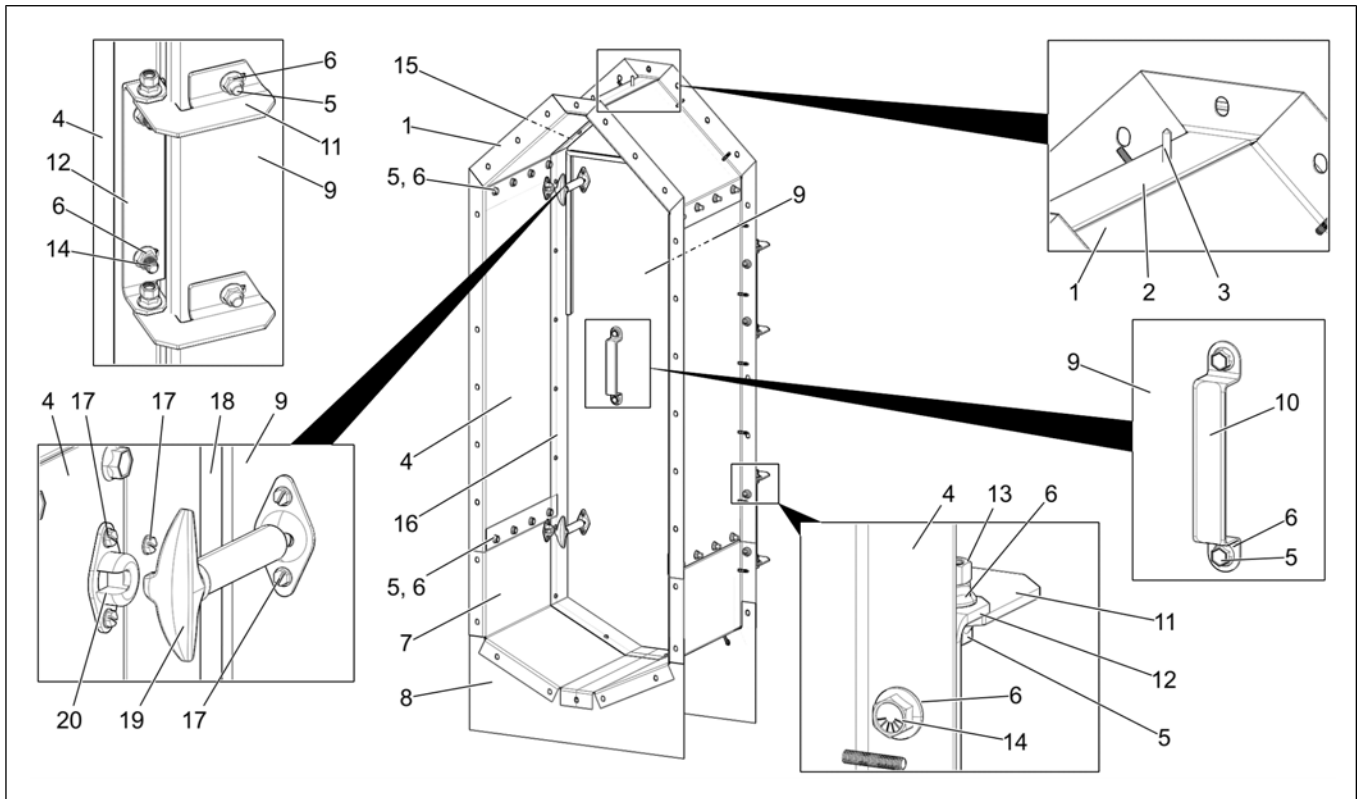
Figure 4-2 Heat Section With Door Assembly (GT4-7004) (Continued)



Item	Part Number	Description
16	GT1-5630	Inside Mounting Ring
17	GT1-5101	Sheet, Wall, Inside Dryer - 0.078 in. Perforation
18	GT1-5626	82.0 in. Vertical 12 GA Channel
19	GT1-5682	Inside Perforated Galvanized Wall Sheet, Door Section, Top Cutout
20	GT1-5672	12 GA Vertical Channel - Door Section
21	GT1-5681	Inside Perforated Galvanized Wall Sheet, Door Section, Bottom Cutout
22	GT1-5673	Rolled Plenum Channel - Short
23	GT1-5153	Plenum Channel Splice

18 in. Door Kit Assembly

Figure 4-3 18 in. Door Kit Assembly (GT4-7225)



Item	Part Number	Description
1	GT1-2422	Top Plate, 18 in. Door
2	GT1-5788	Door Top, Contoured 18 in. Door
3	S-7621	Screw, SDS #10-16 X 1 HWH Zinc Grade 2
4	GT1-5603	Window Side Panel
5	S-6606	Bolt, Flanged 5/16-18 X 3/4 Zinc Grade 5
6	S-10268	Nut, Flanged 5/16-18 JS500 Grade 5
7	GT1-5786	Door Bottom, Contoured 18 in. Door
8	GT1-5607	Sheet, Window - 18 in. Door
9	GT1-5608	Door - Heat Section
10	PR-331	Peak Cap Handle
11	D01-0508	DCB Computer Box Door Hinge
12	GT1-0256	Hinge, Heat Section Door Window Side
13	S-5220	Nut, Lock 5/16-18 Zinc Grade 2 Deformed
14	S-7483	Bolt, Flanged 5/16-18 X 1-1/4 JS500 Grade 8
15	GT1-5794	Sleeve, Top Half Contoured 18 in. Door
16	GT1-5795	Sleeve, Bottom Half Contoured 18 in. Door
17	S-7581	Screw, SDS #12-14 X 1 HWH Zinc TEK
18	S-4380	Trim Bulb Seal
19	GT3-0106	Latch, Hood Horizontal Mount SS
20	GT3-0107	Hook, Latch Bracket -Stainless

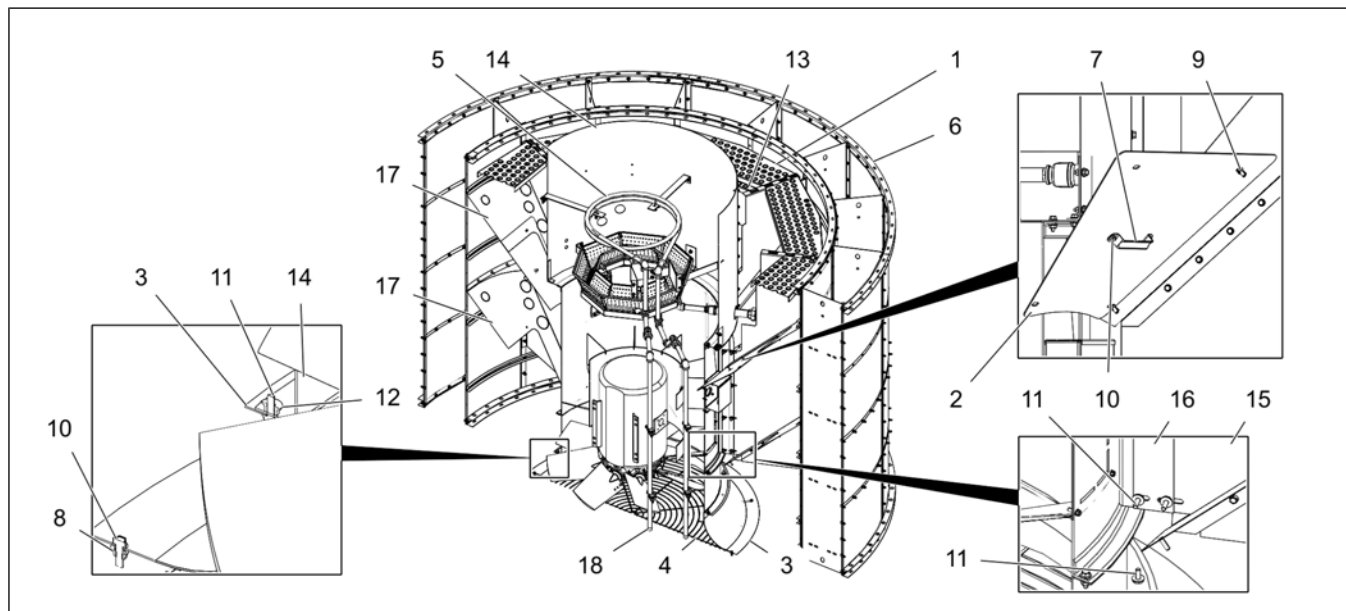
5 Burner Blower Section

Topics Covered in this Chapter

- Burner Blower Section
- Heat Section Complete Assembly
- Burner Blower Assembly
- Pipetrains – Liquid Propane (LP)
- Pipetrains – Natural Gas (NG)

Burner Blower Section

Figure 5-1 1008/1010/1012 Burner Blower Section – LP and NG

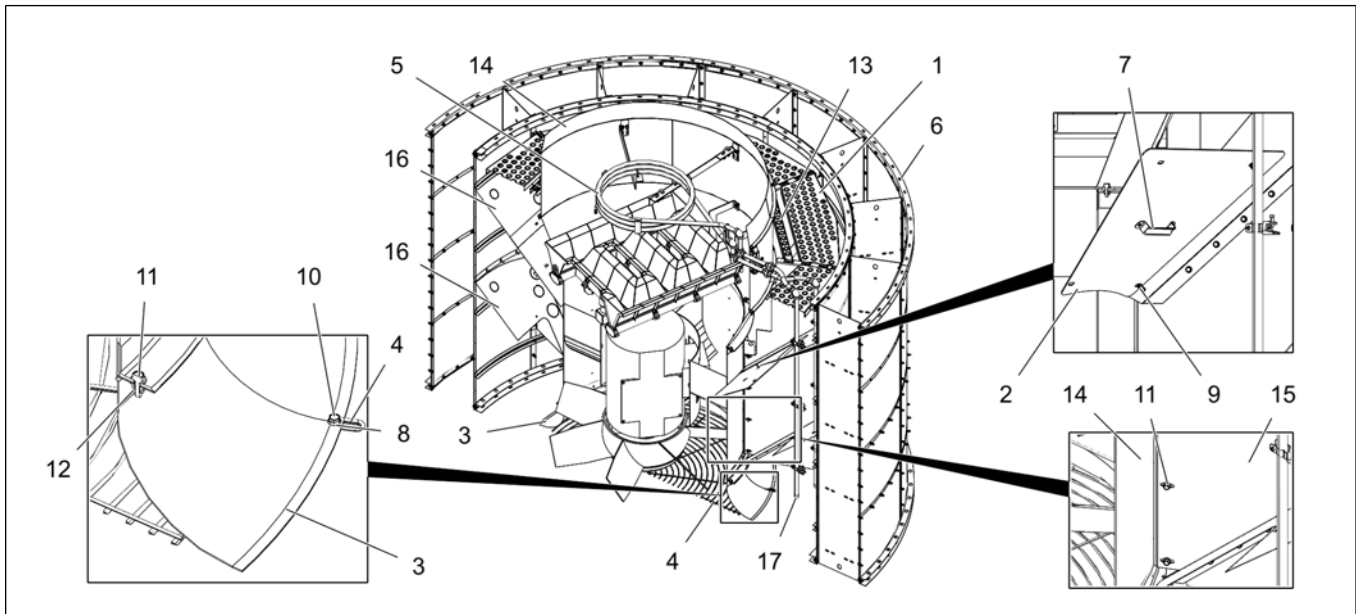


Item	Part Number	Description
1	GT1-5022-10	Step Assembly, Reducer Walkway
2	GT1-5645	Burner Blower Door
3	GT3-5505	Venturi TM-1008, TM-1010, TM-1012
4	GT3-5506	43 in. Grill Guard
5	GT4-7040	TM-1008/1010/1012 Pipetrain - LP Blower/Burner Assembly
6	GT4-7027	Heat Section Module Complete - 16 Channels (See Heat Section Assembly, page 26)
7	PR-331	Peak Cap Handle
8	S-10268	Nut, Flange 5/16-18 in. JS500 Grade 5
9	S-4301	Nut, Wing 5/16-18 in. ZN Grade 2
10	S-7470	Bolt, Flange 5/16-18 x 1 in. ZN Grade 5
11	S-9065	Bolt, Flange 3/8-16 x 1 in. ZN Grade 5
12	S-968	Nut, Flange 3/8-16 in. ZN Grade 5 Wide Flange
13	GT1-5022-3	Reducer Walkway Slat #3
14	GT4-9000	M-1008 240V - LP, Blower/Burner Assembly
	GT4-9004	M-1010 240V - LP, Blower/Burner Assembly
	GT4-9008	M-1012 208/240V - LP, Blower/Burner Assembly
	GT4-9001	M-1008 240V - NG, Blower/Burner Assembly
	GT4-9005	M-1010 240V - NG, Blower/Burner Assembly
	GT4-9009	M-1012 208/240V - NG, Blower/Burner Assembly
15	GT1-5653	Blower/Burner Vertical Support
16	GT1-5663	43 in. Blower Support Adapter Plate
17	GT4-7181	Upper Divider Hopper Weldment
18*	GT4-7041	TM-1008/1010/1012 Pipetrain - LP Blower/Burner Section
N/S**	GT4-7044	TM-1008/1010/1012 Pipetrain - NG Blower/Burner Assembly
N/S**	GT4-7045	TM-1008/1010/1012 Pipetrain - NG Blower/Burner Section

* Part specific for LP

** Part specific for NG

Figure 5-2 1015 Burner Blower Section – LP and NG

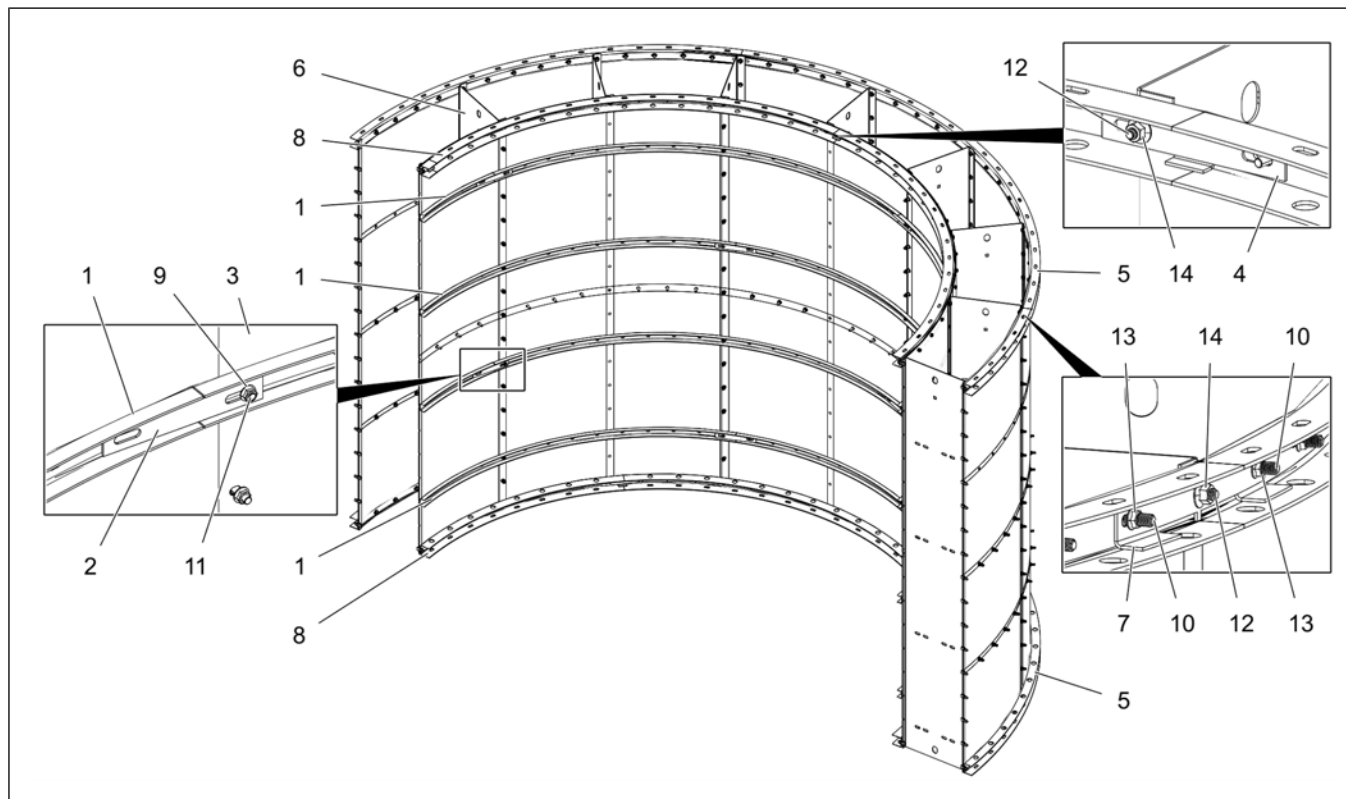


Item	Part Number	Description
1	GT1-5022-10	Step Assembly, Reducer Walkway
2	GT1-5645	Burner Blower Door
3	GT3-5504	Venturi TM-1015
4	GT3-5507	48 in. Grill Guard
5	GT4-7189	TM-1015 Pipetrain, Adjustable - LP Blower/Burner Assembly
6	GT4-7027	Heat Section Module Complete - 16 Channels (See Heat Section Assembly, page 26)
7	PR-331	Peak Cap Handle
8	S-10268	Nut, Flange 5/16-18 in. JS500 Grade 5
9	S-4301	Nut, Wing 5/16-18 in. ZN Grade 2
10	S-7470	Bolt, Flange 5/16-18 x 1 in. ZN Grade 5
11	S-9065	Bolt, Flange 3/8-16 x 1 in. ZN Grade 5
12	S-968	Nut, Flange 3/8-16 in. ZN Grade 5 Wide Flange
13	GT1-5022-3	Reducer Walkway Slat #3
14	GT4-9025	M-1015 208/240V LP Adjustable, Blower/Burner Assembly
	GT4-9015	M-1015 208/240V - NG, Blower/Burner Assembly
15	GT1-5653	Blower/Burner Vertical Support
16	GT4-7181	Upper Divider Hopper Weldment
17*	GT4-7195	TM-1015 Pipetrain, Adjustable - LP Blower/Burner Section
N/S**	GT4-7055	TM-1015 Pipetrain - NG Burner/Housing Assembly
N/S**	GT4-7058	TM-1015 Pipetrain - NG Burner/Blower Section

* Part specific for LP
 ** Part specific for NG

Heat Section Complete Assembly

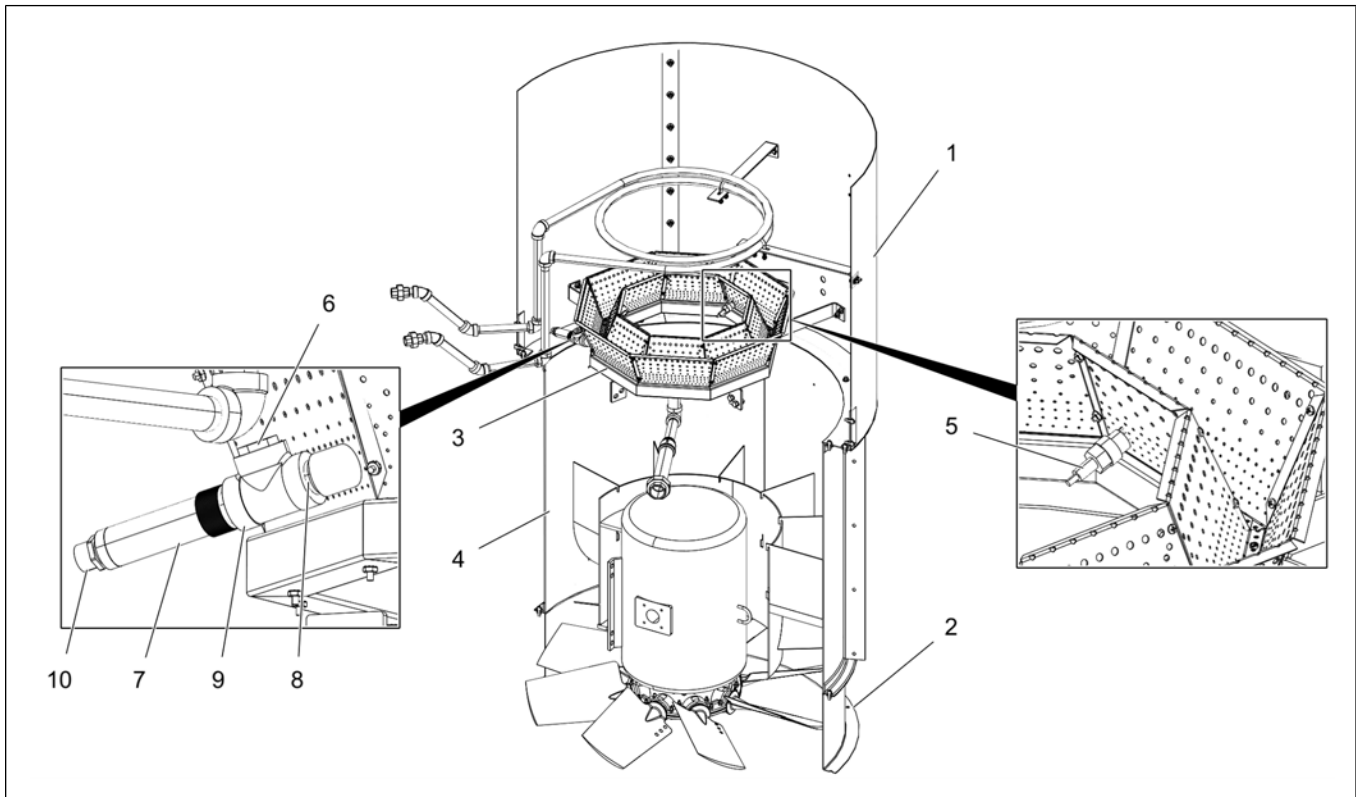
Figure 5-3 1008/1010/1012/1015 Heat Section Complete Assembly – LP and NG (GT4-7027)



Item	Part Number	Description
1	GT1-5005	Rolled Plenum Channel
2	GT1-5095	Inside Ring Splice
3	GT1-5101	Sheet, Wall, Inside Dryer
4	GT1-5153	Plenum Channel Splice
5	GT1-5615	Outside Mounting Ring
6	GT1-5626	82.0 in. Vertical 12 Gauge Channel
7	GT1-5629	Splice Plate, Outside Ring
8	GT1-5630	Inside Mounting Ring
9	S-10268	Nut, Flange 5/16-18 in. JS500 Grade 5
10	S-7447	Bolt, Flange 5/16-18 x 1 in. SS Full Thread
11	S-7470	Bolt, Flange 5/16-18 x 1 in. ZN Grade 5
12	S-7485	Bolt, Flange 3/8-16 x 1 in. JS500 Grade 8 or 8.2
13	S-8452	Nut, Flange 5/16-18 in. SS Waxed
14	S-968	Nut, Flange 3/8-16 in. ZN Grade 5 Wide Flange
NS	S-10173	Nut, Push 5/16 in. Phosphate and Oil
NS	S-10175	Nut, Extruded U 3/8-16 in., Tapped Hole

Burner Blower Assembly

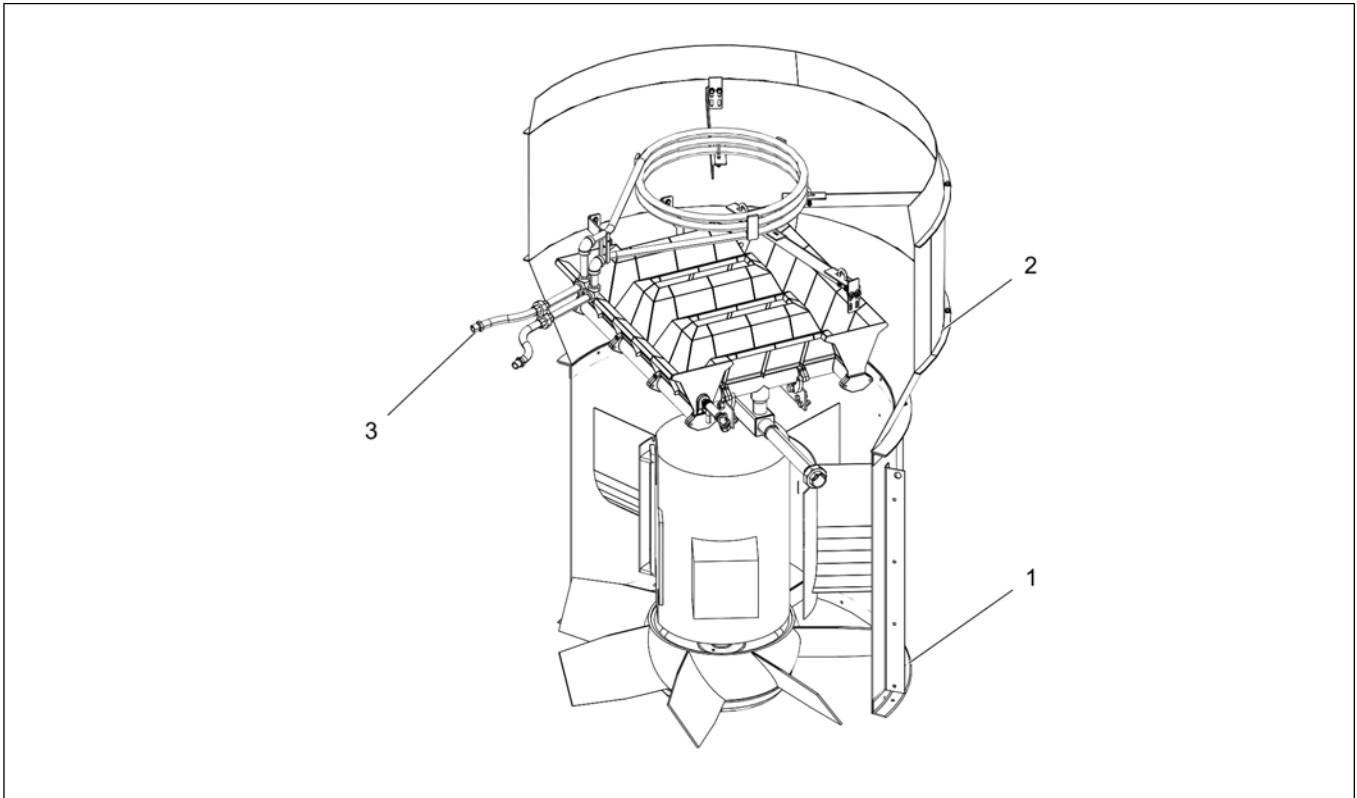
Figure 5-4 1008/1010/1012 Burner Blower Assembly – LP and NG



Item	Part Number	Description
1	GT1-5200BHE	Burner Housing Extension
2	GT1-5200FH	Blower/Fan Housing Ring
3	GT4-5014-BM	Burner Complete Assembly (See Figure 5-6, page 29)
4	GT4-5014-MH	3 PH 40 HP Fan Assembly (See Figure 5-8, page 30)
5	HH-1485	Igniter
6	D07-0027	Bushing, Reducer 3/4 x 1/4 in. Hex SCH 40 Black
7	GT3-1548	Scanner, UV, Siemens #QRA4.U
8	D67-0021	Nipple, 3/4 in. Close SCH 80 Black
9	THH-4124	Tee, 3/4 x 3/4 x 3/4 in. SCH 40 Black
10	GT3-0243	Adapter, Connector, Sealtite Street 1/2 in.
NS	756-1485-9	Boot, for Flame Rod and Igniter-A

Chapter 5: Burner Blower Section

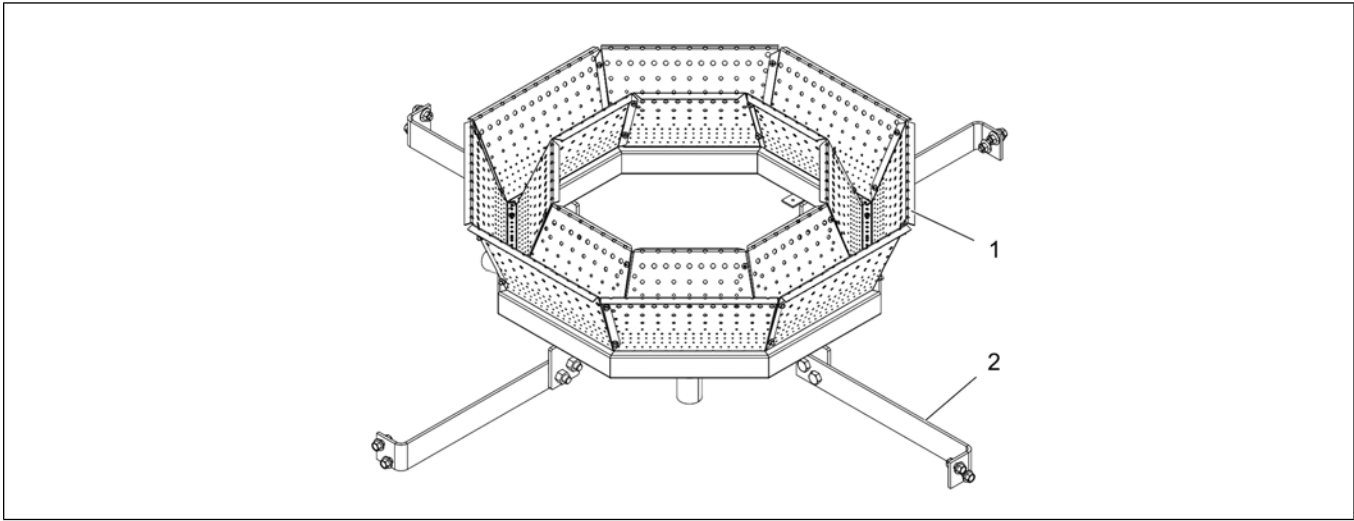
Figure 5-5 1015 Burner Blower Assembly – LP and NG



Item	Part Number	Description
1	GT3-5513	TM-1015 75HP Aerovent Blower
2	GT4-7193	1015 Burner/Housing Assembly, Adjustable Vaporizer
3	GT4-7189	1015 Pipetrain, Adjustable - LP (Burner/Blower Section)

Burner Complete Assembly

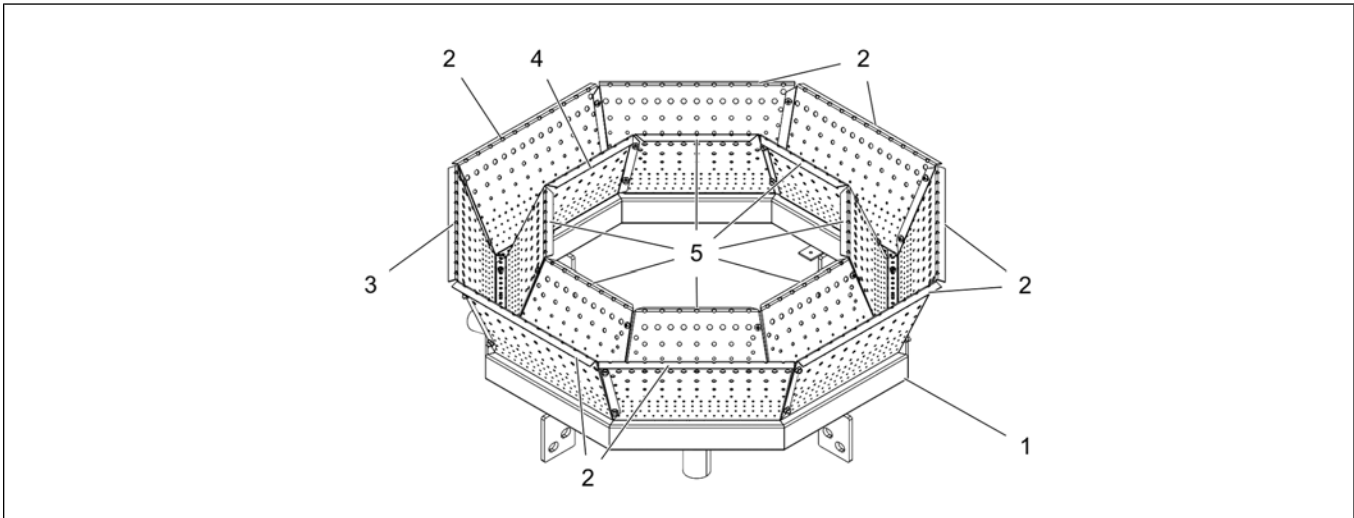
Figure 5-6 1008/1010/1012 Burner Complete Assembly – LP and NG (GT4-5014-BM)



Item	Part Number	Description
1	GT4-5015-B1	NG Burner with Manifold Assembly (See Figure 5-7, page 29)
2	GT1-5668	Standoff - Burner

Burner Manifold Assembly

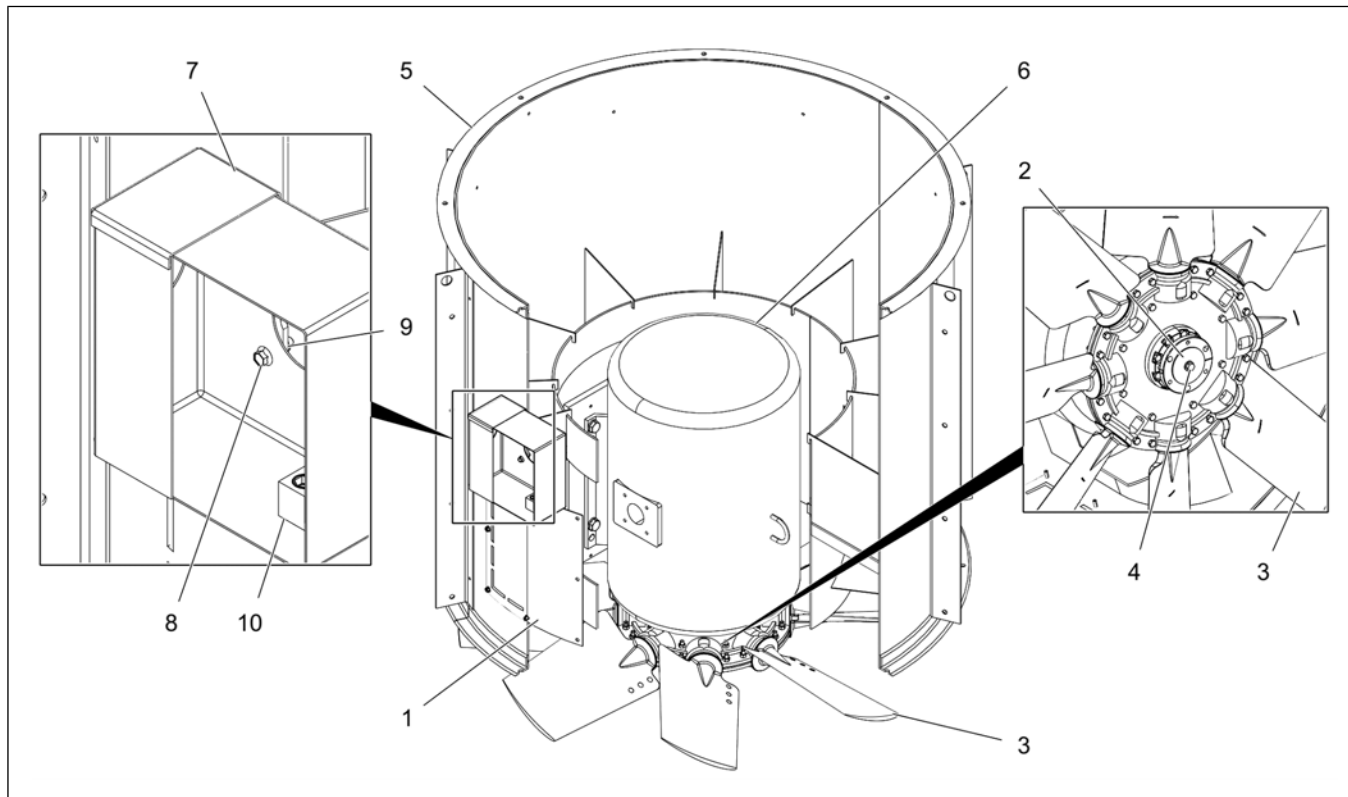
Figure 5-7 1008/1010/1012 Burner Manifold Assembly – LP and NG (GT4-5015-B1)



Item	Part Number	Description
1	GT4-5015-M1	NG Burner Manifold Weldment
2	401-3479-3	Air Shield - Outer
3	410-1709-6	Shield Weldment - Outside with Screen
4	410-1710-4	Shield Weld - Inner OCT Ignitor
5	401-3480-1	Air Shield - Inner

Fan Assembly

Figure 5-8 1008/1010/1012 Fan Assembly – LP and NG

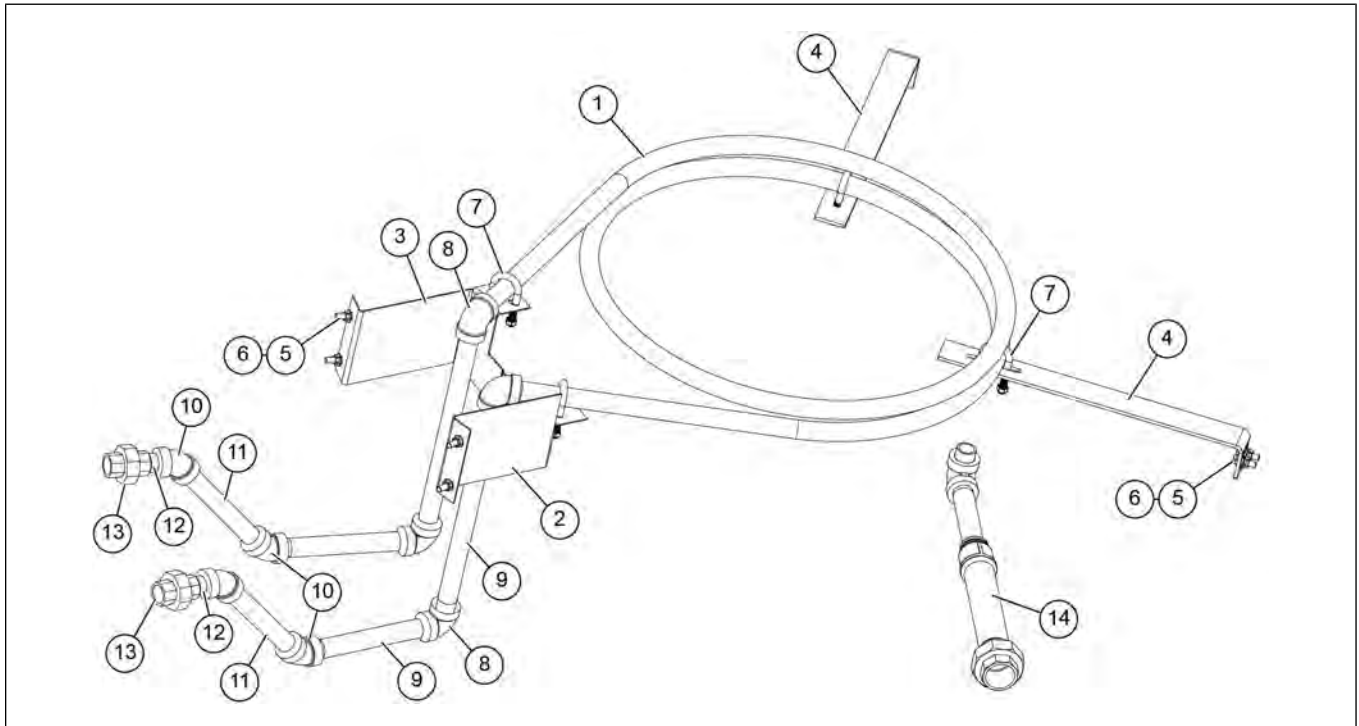


Item	Part Number	Description
1	401-4511-2	Cover, Access - Motor Housing - R3
2	GT1-5650	Washer, Safety, Burner/Blower Motor Shaft
3	GT3-5501	Propeller, 31/PAG/6WL/SF 2-1/8 /AR
4	GT3-5512	Screw, 3/8-16 x 3/4 in., Thread Cut, Hex, ZN Yellow
5	GT4-5015-MM	Weldment - Motor Mount - Air Straightener
6	MTR-0174	Motor HE, 40 HP 1775 RPM 230/460 V 3 PH 60 HZ
7	GT3-1458	Junction Box, Blower Assembly
8	S-9063	Bolt, Flange 1/4-20 x 1 in. ZN Grade 5
9	S-10238	Nut, Flange LRG 1/4-20 in. ZN Serrated Tapco
10	D03-0161	Lug, Ground 4/0 #ADR 25

Pipetrains – Liquid Propane (LP)

Burner Blowers Section Pipetrains

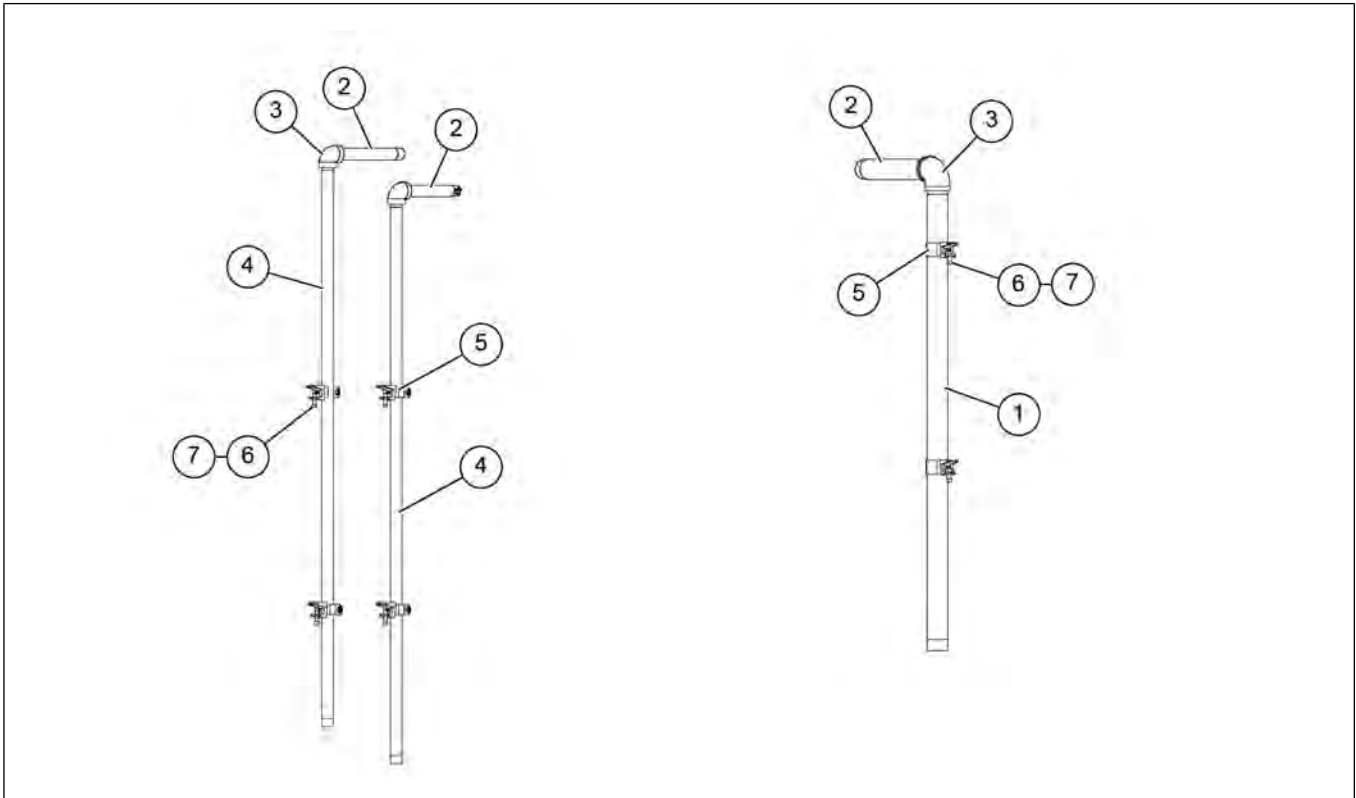
Figure 5-9 1008/1010/1012 Pipetrain – LP (GT4-7040)



Item	Part Number	Description
1	GT1-5409	Vaporizer coil, 3/4 in. X 23 in. dia LP
2	GT1-5665	R.H. Support Bracket, Vaporizer
3	GT1-5666	L.H. Support Bracket, Vaporizer
4	GT1-5667	Bracket, Vaporizer Support
5	S-7470	Flange bolt, 5/16-18 X 1 Zinc Grade 5
6	S-10268	Flange nut, 5/16-18 JS500 Grade 5
7	S-10177	Bolt, U-Bolt 5/16-18 X 1-1/8 IW X 2-3/4 IL SS
8	D67-0011	Elbow, 3/4 in. - 90 SCH 80 Black
9	007-1902-1	Pipe Tube 3/4 X 14 80
10	GT3-0674	Elbow, 3/4 in. 45 deg SCH 80 Black
11	D67-0016	Nipple, 3/4 in. X 8 in. SCH 80 Black
12	GT3-0743	Nipple, 3/4 X 2 SCH 80 Black
13	D67-0002	Union, 3/4 in. Female SCH 80 Black 707-1316-9
14	GT4-7044	Pipetrain - NG

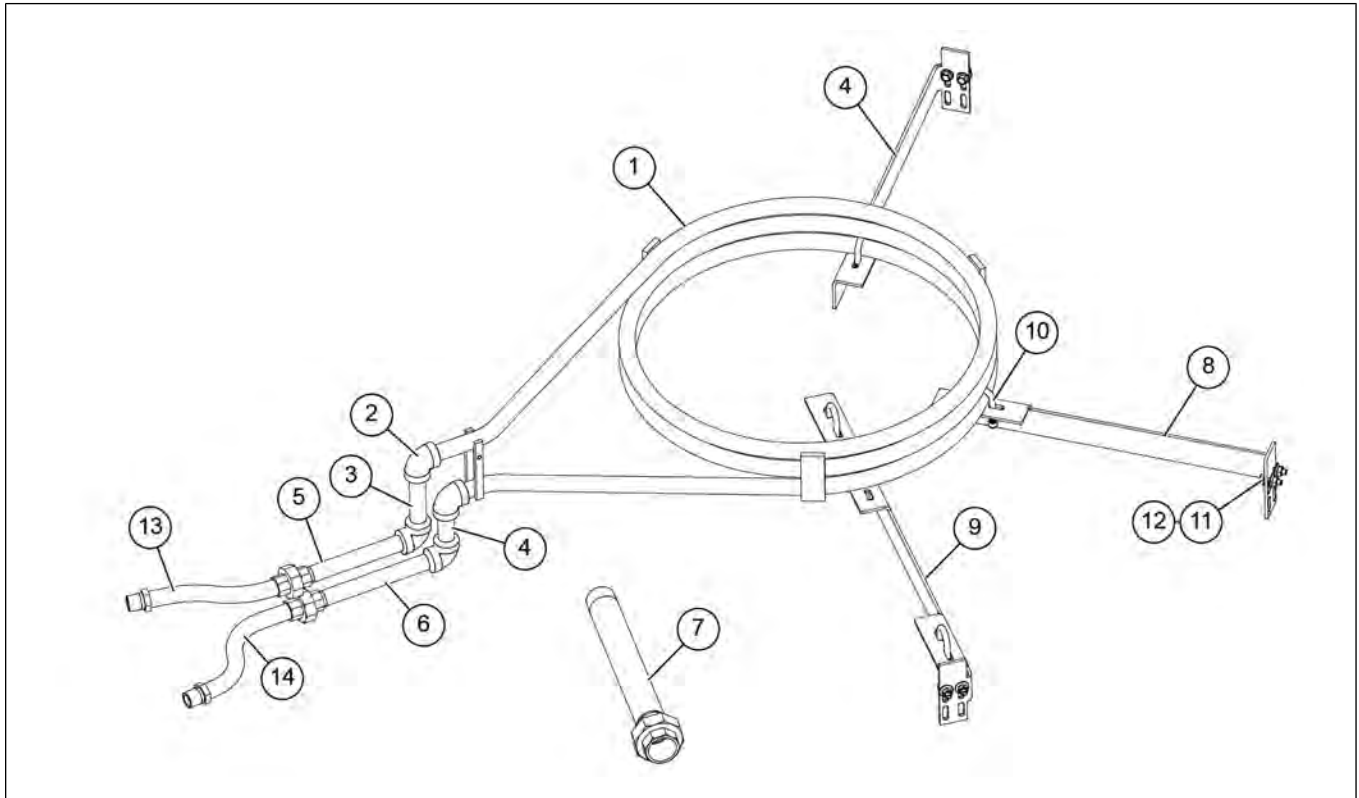
Chapter 5: Burner Blower Section

Figure 5-10 1008/1010/1012 Pipetrain – LP (GT4-7041)



Item	Part Number	Description
1	GT4-7045	Pipetrain - NG
2	D67-0016	Nipple, 3/4 in. X 8 in. SCH 80 Black
3	D67-0011	Elbow, 3/4 in. - 90 SCH 80 Black
4	D01-1159	Nipple, 3/4 X 52 in. SCH 80 Black
5	D62-0005	Clamp, 3/4 in. Conduit
6	GT3-0241	Clamp, Beam 1/2 in.
7	S-1101	Bolt, HHCS 1/4-20 X 1/2 Zinc/Clear Grade 2

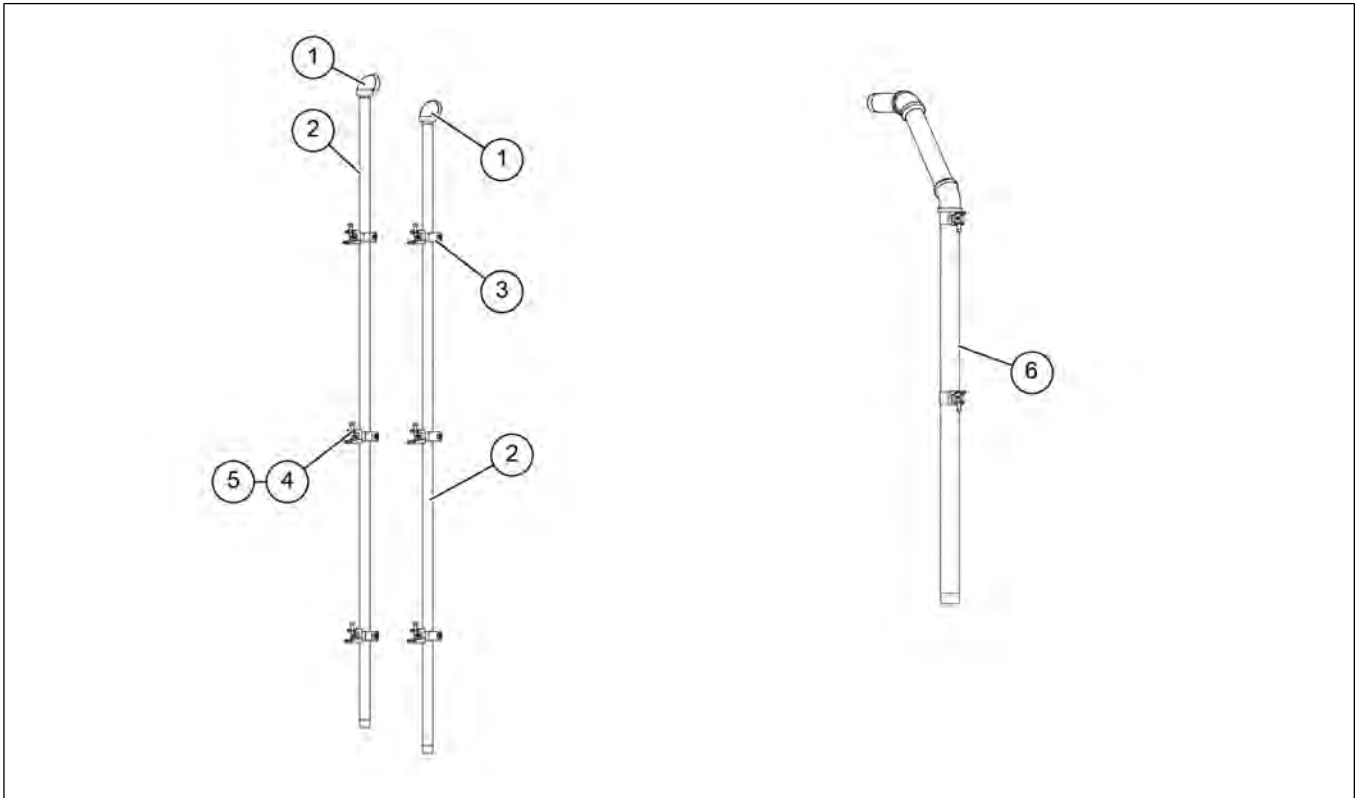
Figure 5-11 1015 Adjustable Pipetrain – LP (GT4-7189)



Item	Part Number	Description
1	GT4-7196	Assembly, 1500 Adjustable Vaporizer
2	D67-0011	Elbow, 3/4 in. -90 SCH 80 Black
3	007-1913-8	Nipple 3/4 X 5 SCH 80
4	GT1-5400-338	Nipple, 3/4 in. X 3.375 in. SCH 80 Black
5	D67-0016	Nipple 3/4 in. X 8 in. SCH 80 Black
6	GT1-2080	Nipple, 3/4 in. X 9 in. SCH 80 Black
7	GT4-7055	Pipetrain - NG
8	GT1-5412	Bracket, Vaporizer Support - 1500
9	GT1-5732	Support Bracket, 1500 ADJ Vaporizer
10	S-10177	Bolt, U-Bolt 5/16-18 X 1-1/8 IW X 2-3/4 IL SS
11	S-9065	Flange Bolt, 3/8-16 X 1 Zinc Grade 5
12	S-968	Flange Nut, 3/8-16 Zinc Grade 5 Wide Flange
13	GT3-5522	Hose Assembly, 3/4 in. X 12 in. Metallic Flex w/un
14	GT3-5523	Hose Assembly, 3/4 in. X 18 in. Metallic Flex w/un

Chapter 5: Burner Blower Section

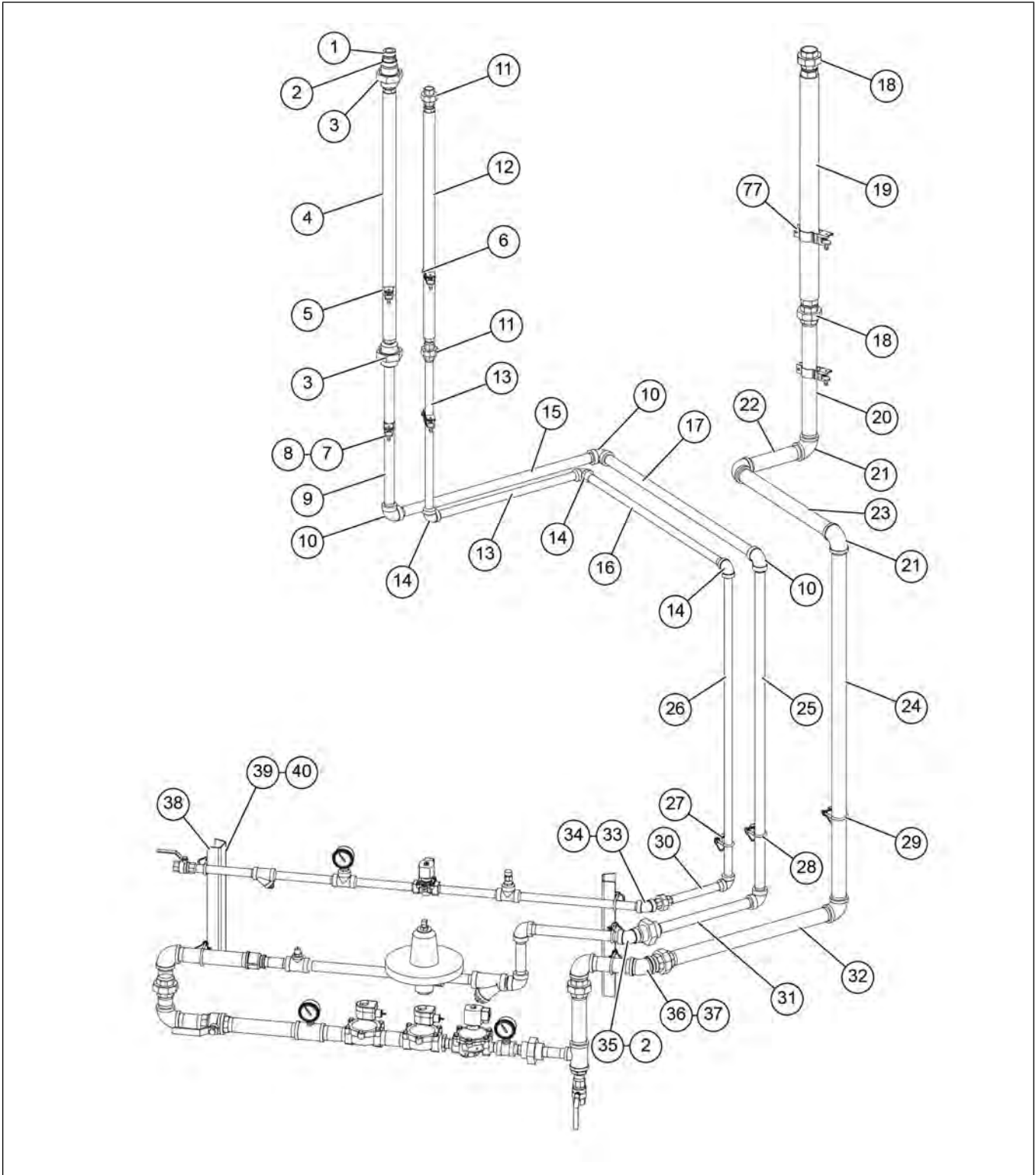
Figure 5-12 1015 Adjustable Pipetrain – LP (GT4-7195)



Item	Part Number	Description
1	D67-0011	Elbow, 3/4 in. -90 SCH 80 Black
2	D01-1018	Nipple, 3/4 X 64 in. SCH 80 Black
3	D62-0005	Clamp, 3/4 in. Conduit
4	GT3-0241	Clamp, Beam 1/2 in.
5	S-1101	Bolt, HHCS 1/4-20 X 1/2 Zinc/Clear Grade 2
6	GT4-7058	Pipetrain - NG

Unload Section Pipetrains

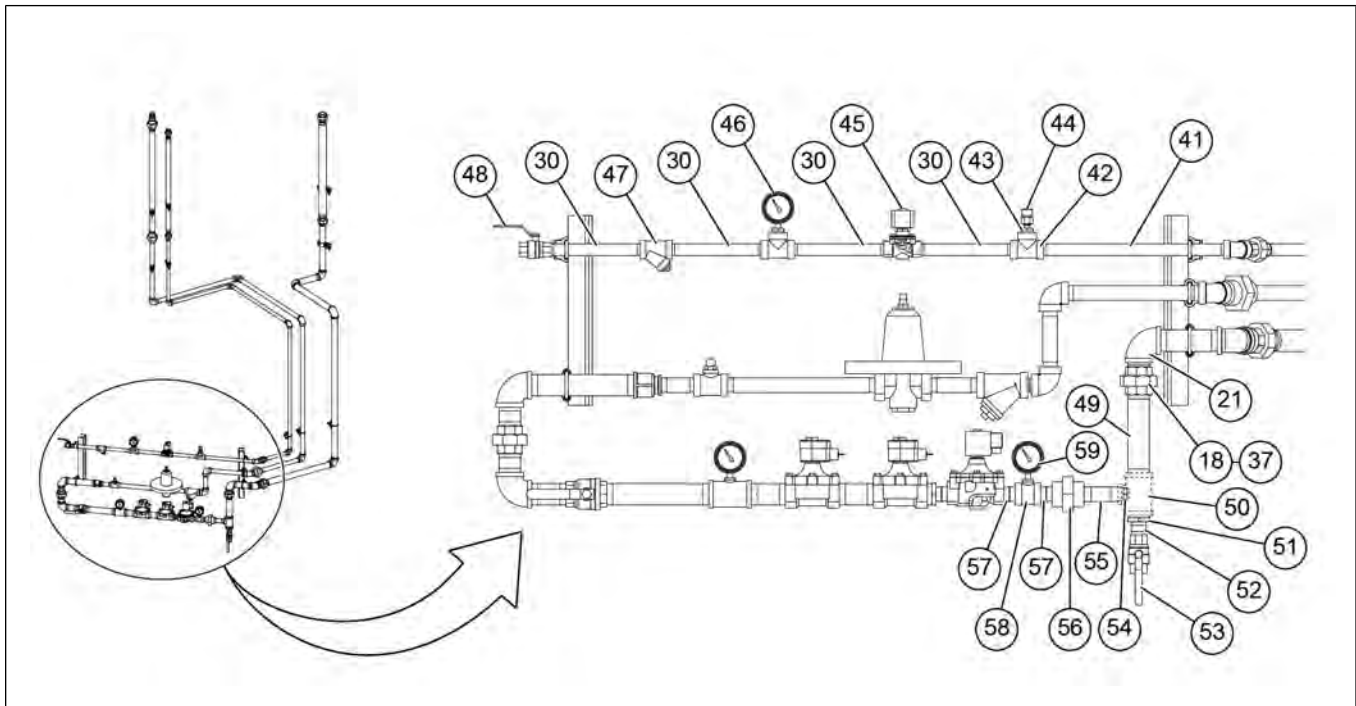
Figure 5-13 1008 Pipetrain – LP (GT4-7042)



Chapter 5: Burner Blower Section

Item	Part Number	Description
1	GT3-5406	Reducer, Bell 1 in. X 3/4 in. SCH 80 Black
2	007-1782-7	Nipple, CL 1 SCH 80 CAD Plate
3	007-1756-1	Union, Female 1 in. 80
4	GT3-1725	Hose, 1 in. X 39 in. Flexible, LP
5	D62-0005	Clamp, 3/4 in. Conduit
6	GT3-0523	Hanger, Conduit 1 in.
7	GT3-0241	Clamp, Beam 1/2 in.
8	S-1101	Bolt, HHCS 1/4-20 X 1/2 Zinc/Clear Grade 2
9	GT1-5401-22	Pipe Tube 1 X 22 SCH 80 Black
10	007-1753-8	Elbow, 1 in. 90 deg SCH 80 Black
11	D67-0002	Union, 3/4 in. Female SCH 80 Black 707-1316-9
12	GT3-5532	Hose, 3/4 in. X 36 in. Flexible Gas
13	GT1-5400-23	Pipe Tube 3/4 X 23 SCH 80 Black
14	D67-0011	Elbow, 3/4 in. -90 SCH 80 Black
15	007-1760-3	Pipe Tube 1 X 31-1/2 80
16	D01-1009	Nipple, 3/4 X 32 in. SCH 80 Black
17	GT1-5401-36	Pipe Tube 1 X 36 SCH 80 Black
18	D08-0010	Union, 1 1/2 in. Female SCH 40 Black
19	GT3-1726	Hose, 1.1/2 in. X 36 in. GAS
20	D01-2472	Pipe Tube 1 1/2 in. X 18 in. SCH 40 Black
21	D08-0011	Elbow, 1 1/2 in. -90 SCH 40 Black
22	HH-7067	Nipple, 1 1/2 in. X 9 in. SCH 40 Black
23	D01-0764	Nipple, 1 1/2 in. X 22 in. SCH 40 Black
24	GT1-5402-52	Nipple, 1-1/2 in. X 52 in. SCH 40 Black
25	GT1-5401-48	Pipe Tube 1 X 48 SCH 80 Black
26	GT1-5400-45	Nipple, 3/4 in. X 45 in. SCH 80 Black
27	GT3-5400	Clamp, Korn RA 3/4 in.
28	GT3-0464	Clamp, Korn RA 1 in.
29	GT3-0361	Clamp, Korn RA 1-1/2 in.
30	GT1-2080	Nipple, 3/4 in. X 9 in. SCH 80 Black
31	GT1-2083	Nipple, 1 in. X 16 in. SCH 80 Black
32	GT1-5402-26	Pipe Tube 1 1/2 X 26 SCH 40 Black
33	GT3-0674	Elbow, 3/4 in. 45 deg SCH 80 Black
34	D67-0021	Nipple, 3/4 Close SCH 80 Black
35	GT3-5403	Elbow, 1 in. 45 deg SCH 80 Black
36	GT3-5404	Elbow, 1 1/2 in. 45 deg SCH 40 Black
37	D08-0009	Nipple, 1 1/2 in. Close SCH 40 Black
38	GT1-5403	Bracket, Pipe Support
39	S-9065	Flange Bolt, 3/8-16 X 1 Zinc Grade 5
40	S-456	Nut, Hex 3/8-16 YDP Grade 5
77	S-6643	Hanger, Conduit 1 1/2 in.
NS	DC-1191	Tag, Open Drain Valve
NS	D67-0016	Nipple, 3/4 in. X 8 in. SCH 80 Black

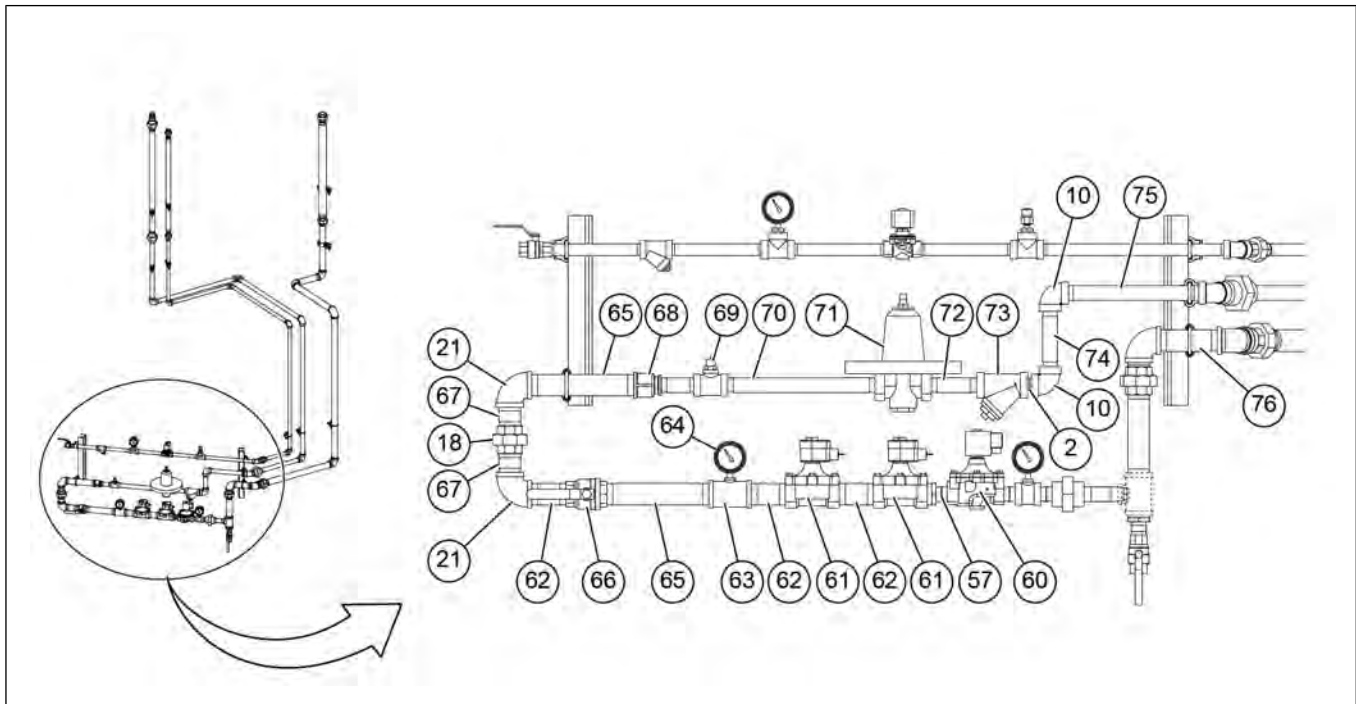
Figure 5-14 1008 Pipetrain – LP (GT4-7042) (Continued)



Item	Part Number	Description
18	D08-0010	Union, 1 1/2 in. Female SCH 40 Black
21	D08-0011	Elbow, 1 1/2 in. -90 SCH 40 Black
30	GT1-2080	Nipple, 3/4 in. X 9 in. SCH 80 Black
37	D08-0009	Nipple, 1 1/2 in. Close SCH 40 Black
41	GT1-2079	Nipple, 3/4 in. X 17 in. SCH 80 Black
42	007-1647-2	Tee, 3/4 X 3/4 X 3/4 80
43	D07-0027	Bushing, Reducer 3/4 in. X 1/4 in. Hex SCH 40
44	TFC-0027	Valve, 1/4 in. NPT 250 PSI Relief REGO Only CGA Approved
45	TF-1296	Valve, Solenoid 3/4 in. Liquid
46	GT3-0671	Gauge, Pressure 2 1/2 Liquid Filled 200 PSI
47	D67-0008	Strainer, 3/4 in. Y 250# WOG SCH 80 Black, W/Plug
48	D58-0002	Valve, 3/4 in. NPT Ball Shutoff Brass
49	GT1-5402-8	Nipple, 1 1/2 in. X 8-1/4 in. SCH 40 Black
50	D38-0001	Tee, 1 1/2 in. X 1 1/2 in. X 1 in. SCH 40 Black
51	D08-0007	Bushing, Reducer 1 1/2 in. X 1 in. Hex SCH 40 Black
52	THH-4037	Nipple, 1 in. X 2 1/2 in. SCH 40 Black
53	TFC-0093	Valve, 1 in. NPT Bronze Ball -CGA- B&K #110-525 CGA Approved
54	406-1464-6	Orifice 0.500 X 3/4 NPT
55	406-1463-8-4	Pipe, Orifice 1 X 4
56	007-1105-1	Union, Female 1 in. SCH 40
57	007-1242-2	Nipple, 1 in. X 2 in. SCH 40 Black
58	THH-4152	Tee, 1 in. X 1 in. X 1/4 in. SCH 40 Black
59	D03-0867	Gauge, PSI 0-15 Dual Scale 0-100kPa Liquid Filled
NS	D03-1183	Cord, 72 in. Canfield 5J Series ISO Ding Connector with 12 in. of Jacke

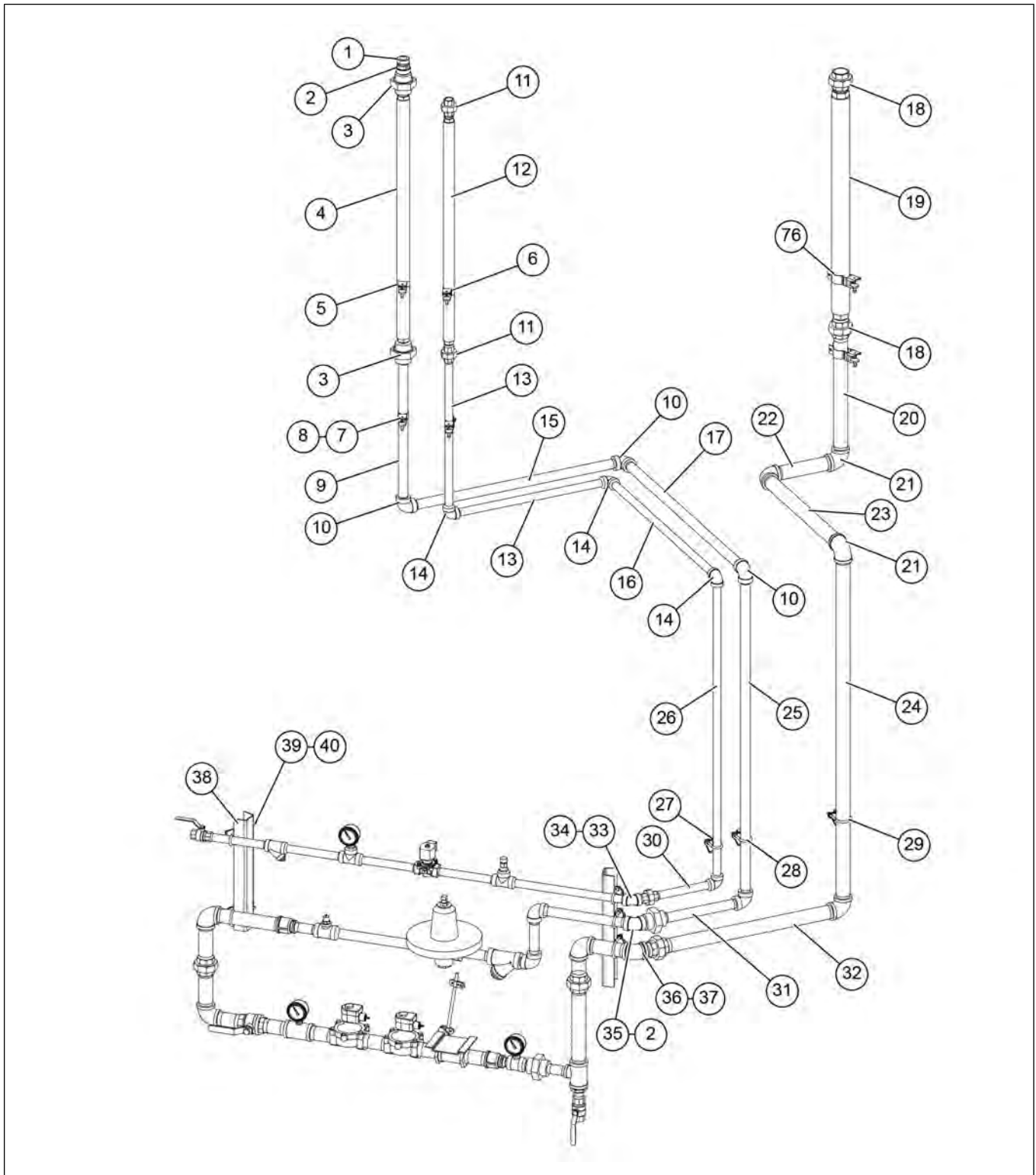
Chapter 5: Burner Blower Section

Figure 5-15 1008 Pipetrain – LP (GT4-7042) (Continued)



Item	Part Number	Description
2	007-1782-7	Nipple, CL 1 SCH 80 CAD Plate
10	007-1753-8	Elbow, 1 in. 90 deg SCH 80 Black
18	D08-0010	Union, 1 1/2 in. Female SCH 40 Black
21	D08-0011	Elbow, 1 1/2 in. -90 SCH 40 Black
57	007-1242-2	Nipple, 1 in. X 2 in. SCH 40 Black
60	056-2230-3	Valve, Solenoid 1NPT 115V DIN W/Bypass 30 PSI Max ASCO Rebuild Kit
61	GT3-0720	Valve, ASCO 1-1/2 in. (Model # HV299605001)
62	D08-0021	Nipple, 1 1/2 in. X 4 in. SCH 40 Black
63	TF-1710	Tee, 1-1/2 X 1-1/2 X 1/4 SCH 40 Black
64	HH-2984	Gauge, Pressure 0-30# LP Liquid Filled - 1/4 in. NPT Threads
65	GT3-1034	Nipple, 1-1/2 X 10 SCH 40 Black
66	D08-0008	Valve, 1 1/2 in. NPT B-Cock Shutoff Brass or Bronze
67	D08-0013	Nipple, 1 1/2 X 3 in. SCH 40 Black
68	D03-0799	Reducer, Female, 1-1/2 in. NPT To 1 in. NPT, Black Malleable, SCH 40
69	GT4-5065	Vapor Hi-Limit Assembly (200 deg)
70	007-1786-8	Pipe Tube 1 X 14 80 Black
71	GT3-5261	Regulator, Fisher 95L 1 in. NPT LP 5-15 PSI NPRN SEAT MATL
72	007-1784-3	Nipple, 1 X 5 80 Black
73	D67-0009	Strainer, 1 in. Y SCH 80 Black, W/Plug
74	007-1774-4	Nipple, 1 X 6 80
75	007-1785-0	Tube, Pipe 1 X 12-1/2 80 Black
76	D08-0001	Nipple, 1 1/2 in. X 6 in. SCH 40 Black
NS	FH-1310	Connector, Cord Heyco #3231 Replaces: 006-1235-8

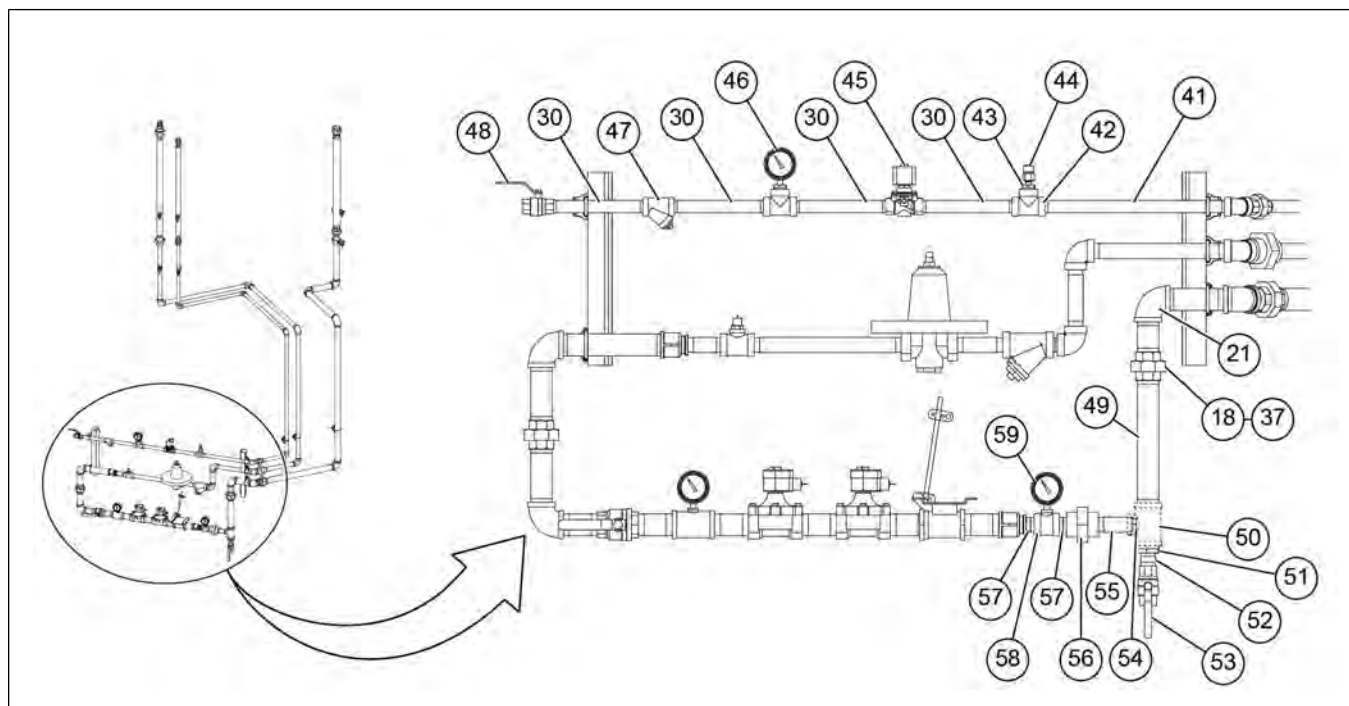
Figure 5-16 1008 Pipetrain – LP, Modulating Valve (GT4-7151)



Chapter 5: Burner Blower Section

Item	Part Number	Description
1	GT3-5406	Reducer, Bell 1 in. X 3/4 in. SCH 80 Black
2	007-1782-7	Nipple, CL 1 SCH 80 CAD Plate
3	007-1756-1	Union, Female 1 in. 80
4	GT3-1725	Hose, 1 in. X 39 in. Flexible, LP (-20 to +220 deg F.)
5	D62-0005	Clamp, 3/4 in. Conduit
6	GT3-0523	Hanger, Conduit 1 in.
7	GT3-0241	Clamp, Beam 1/2 in.
8	S-1101	Bolt, HHCS 1/4-20 x 1/2 Zinc/Clear Grade 2
9	GT1-5401-22	Pipe Tube 1 X 22 SCH 80 Black
10	007-1753-8	Elbow, 1 in. 90 deg SCH 80 Black
11	D67-0002	Union, 3/4 in. Female SCH 80 Black 707-1316-9
12	GT3-5532	Hose, 3/4 in. X 36 in. Flexible Gas
13	GT1-5400-23	Pipe Tube 3/4 X 23 SCH 80 Black
14	D67-0011	Elbow, 3/4 in. -90 SCH 80 Black
15	007-1760-3	Pipe Tube 1 X 31-1/2 80
16	D01-1009	Nipple, 3/4 X 32 in. SCH 80 Black
17	GT1-5401-36	Pipe Tube 1 X 36 SCH 80 Black
18	D08-0010	Union, 1 1/2 in. Female SCH 40 Black
19	GT3-1726	Hose, 1.1/2 in. X 36 in. GAS
20	D01-2472	Pipe Tube 1 1/2 in. X 18 in. SCH 40 Black
21	D08-0011	Elbow, 1 1/2 in. -90 SCH 40 Black
22	HH-7067	Nipple, 1 1/2 in. X 9 in. SCH 40 Black
23	D01-0764	Nipple, 1 1/2 in. X 22 in. SCH 40 Black
24	GT1-5402-52	Nipple, 1-1/2 in. X 52 in. SCH 40 Black
25	GT1-5401-48	Pipe Tube 1 X 48 SCH 80 Black
26	GT1-5400-45	Nipple, 3/4 in. X 45 in. SCH 80 Black
27	GT3-5400	Clamp, Korn RA 3/4 in.
28	GT3-0464	Clamp, Korn RA 1 in.
29	GT3-0361	Clamp, Korn RA 1-1/2 in.
30	GT1-2080	Nipple, 3/4 in. X 9 in. SCH 80 Black
31	007-1755-3	Nipple, 1 in. X 12 in. SCH 80 Black
32	GT1-5402-26	Pipe Tube 1 1/2 X 26 SCH 40 Black
33	GT3-0674	Elbow, 3/4 in. 45 deg SCH 80 Black
34	D67-0021	Nipple, 3/4 Close SCH 80 Black
35	GT3-5403	Elbow, 1 in. 45 deg SCH 80 Black
36	GT3-5404	Elbow, 1 1/2 in. 45 deg SCH 40 Black
37	D08-0009	Nipple, 1 1/2 in. Close SCH 40 Black
38	GT1-5403	Bracket, Pipe Support
39	S-9065	Flange Bolt, 3/8-16 X 1 Zinc Grade 5
40	S-456	Nut, Hex 3/8-16 YDP Grade 5
76	S-6643	Hanger, Conduit 1 1/2 in.
NS	DC-1191	Tag, Open Drain Valve
NS	FH-1310	Connector, Cord Heyco #3231 Replaces: 006-1235-8
NS	GT1-5402-8	Nipple, 1 1/2 in. X 8-1/4 in. SCH 40 Black

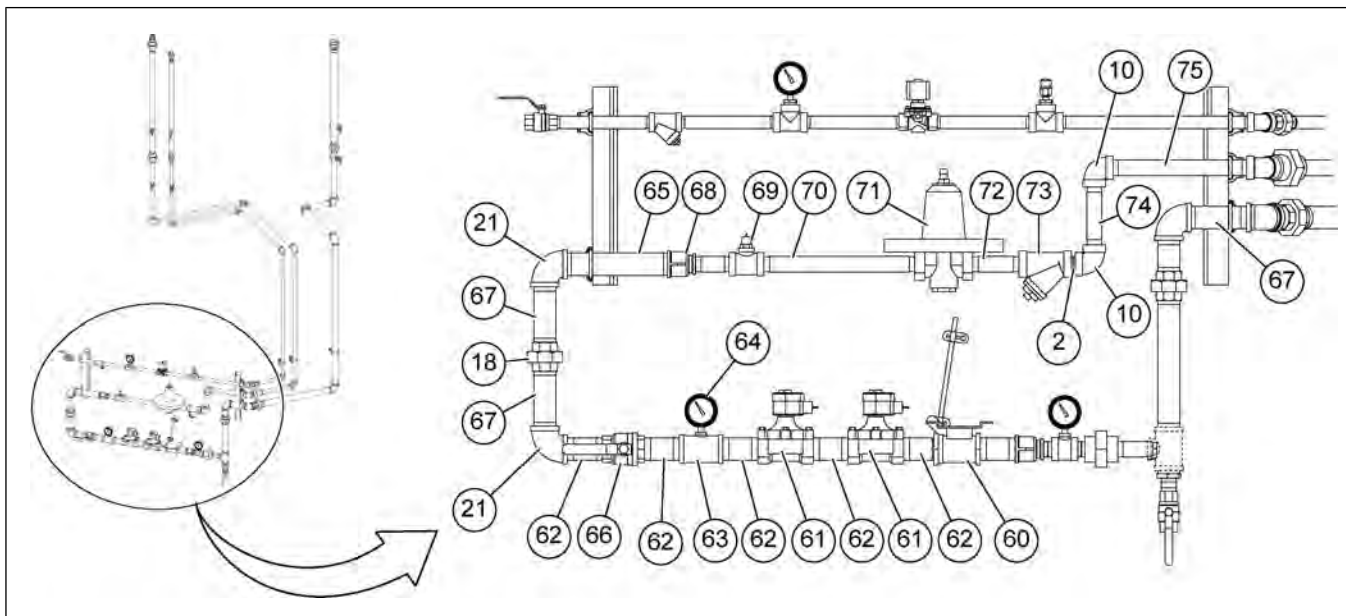
Figure 5-17 1008 Pipetrain – LP, Modulating Valve (GT4-7151) (Continued)



Item	Part Number	Description
18	D08-0010	Union, 1 1/2 in. Female SCH 40 Black
21	D08-0011	Elbow, 1 1/2 in. -90 SCH 40 Black
30	GT1-2080	Nipple, 3/4 in. X 9 in. SCH 80 Black
37	D08-0009	Nipple, 1 1/2 in. Close SCH 40 Black
41	GT1-2079	Nipple, 3/4 in. X 17 in. SCH 80 Black
42	007-1647-2	Tee, 3/4 X 3/4 X 3/4 80
43	D07-0027	Bushing, Reducer 3/4 in. X 1/4 in. Hex SCH 40
44	TFC-0027	Valve, 1/4 in. NPT 250 PSI Relief REGO Only CGA Approved
45	TF-1296	Valve, Solenoid 3/4 in. Liquid
46	GT3-0671	Gauge, Pressure 2 1/2 Liquid Filled 200 PSI
47	D67-0008	Strainer, 3/4 in. Y 250# WOG SCH 80 Black, W/Plug
48	D58-0002	Valve, 3/4 in. NPT Ball Shutoff Brass
49	D08-0028	Nipple, 1 1/2 in. X 12 in. SCH 40 Black
50	D38-0001	Tee, 1 1/2 in. X 1 1/2 in. X 1 in. SCH 40 Black
51	D08-0007	Bushing, Reducer 1 1/2 in. X 1 in. Hex SCH 40 Black
52	THH-4037	Nipple, 1 in. X 2 1/2 in. SCH 40 Black
53	TFC-0093	Valve, 1 in. NPT Bronze Ball -CGA- B&K #110-525 CGA Approved
54	406-1464-6	Orifice 0.500 X 3/4 NPT
55	406-1463-8-4	Pipe, Orifice 1 X 4
56	007-1105-1	Union, Female 1 in. SCH 40
57	007-1242-2	Nipple, 1 in. X 2 in. SCH 40 Black
58	THH-4152	Tee, 1 in. X 1 in. X 1/4 in. SCH 40 Black
59	D03-0867	Gauge, PSI 0-15 Dual Scale 0-100kPa Liquid Filled

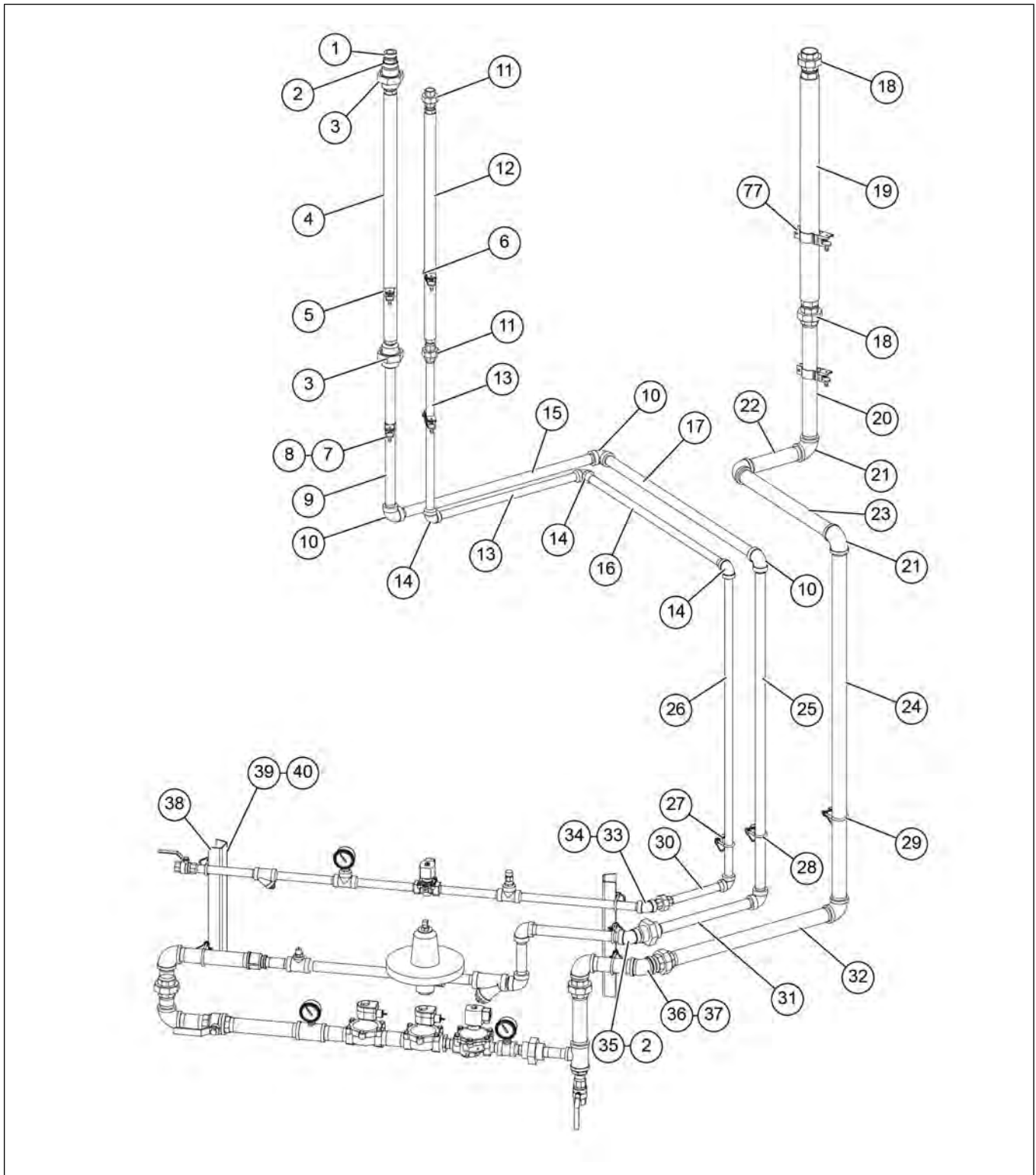
Chapter 5: Burner Blower Section

Figure 5-18 1008 Pipetrain – LP, Modulating Valve (GT4-7151) (Continued)



Item	Part Number	Description
2	007-1782-7	Nipple, CL 1 SCH 80 CAD Plate
10	007-1753-8	Elbow, 1 in. 90 deg SCH 80 Black
18	D08-0010	Union, 1 1/2 in. Female SCH 40 Black
21	D08-0011	Elbow, 1 1/2 in. -90 SCH 40 Black
60	GT3-0515-15	Valve, Maxon V51E Butterfly
61	GT3-0720	Valve, ASCO 1-1/2 in. (Model # HV299605001)
62	D08-0021	Nipple, 1 1/2 in. X 4 in. SCH 40 Black
63	TF-1710	Tee, 1-1/2 X 1-1/2 X 1/4 SCH 40 Black
64	HH-2984	Gauge, Pressure 0-30# LP Liquid Filled – 1/4 in. NPT Threads
65	GT3-1034	Nipple, 1-1/2 X 10 SCH 40 Black
66	D08-0008	Valve, 1 1/2 in. NPT B-Cock Shutoff Brass or Bronze
67	D08-0001	Nipple, 1 1/2 in. X 6 in. SCH 40 Black
68	D03-0799	Reducer, Female, 1-1/2 in. NPT To 1 in. NPT, Black Malleable, SCH 40
69	GT4-5065	Vapor Hi-Limit Assembly (200 deg)
70	007-1786-8	Pipe Tube 1 X 14 80 Black
71	GT3-5261	Regulator, Fisher 95L 1 in. NPT LP 5-15 PSI NPRN SEAT MATL
72	007-1784-3	Nipple, 1 X 5 80 Black
73	D67-0009	Strainer, 1 in. Y SCH 80 Black, W/Plug
74	007-1774-4	Nipple, 1 X 6 80
75	007-1785-0	Tube, Pipe 1 X 12-1/2 80 Black

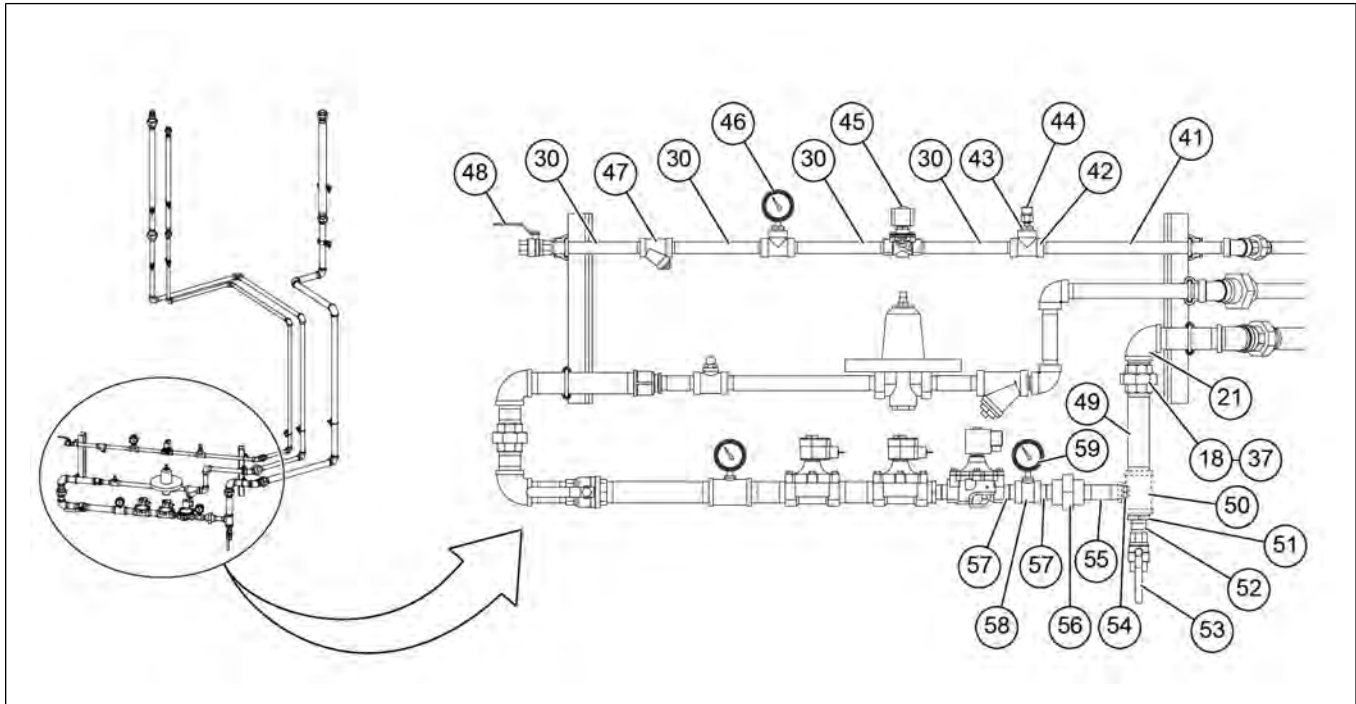
Figure 5-19 1010/1012 Pipetrain – LP (GT4-7043)



Chapter 5: Burner Blower Section

Item	Part Number	Description
1	GT3-5406	Reducer, Bell 1 in. X 3/4 in. SCH 80 Black
2	007-1782-7	Nipple, CL 1 SCH 80 CAD Plate
3	007-1756-1	Union, Female 1 in. 80
4	GT3-1725	Hose, 1 in. X 39 in. Flexible, LP (-20 to +220 deg F.)
5	D62-0005	Clamp, 3/4 in. Conduit
6	GT3-0523	Hanger, Conduit 1 in.
7	GT3-0241	Clamp, Beam 1/2 in.
8	S-1101	Bolt, HHCS 1/4-20 X 1/2 Zinc/Clear Grade 2
9	GT1-5401-22	Pipe Tube 1 X 22 SCH 80 Black
10	007-1753-8	Elbow, 1 in. 90 deg SCH 80 Black
11	D67-0002	Union, 3/4 in. Female SCH 80 Black 707-1316-9
12	GT3-5532	Hose, 3/4 in. X 36 in. Flexible Gas
13	GT1-5400-23	Pipe Tube 3/4 X 23 SCH 80 Black
14	D67-0011	Elbow, 3/4 in. -90 SCH 80 Black
15	007-1760-3	Pipe Tube 1 X 31-1/2 80
16	D01-1009	Nipple, 3/4 X 32 in. SCH 80 Black
17	GT1-5401-36	Pipe Tube 1 X 36 SCH 80 Black
18	D08-0010	Union, 1 1/2 in. Female SCH 40 Black
19	GT3-1726	Hose, 1.1/2 in. X 36 in. GAS
20	D01-2472	Pipe Tube 1 1/2 in. X 18 in. SCH 40 Black
21	D08-0011	Elbow, 1 1/2 in. -90 SCH 40 Black
22	HH-7067	Nipple, 1 1/2 in. X 9 in. SCH 40 Black
23	D01-0764	Nipple, 1 1/2 in. X 22 in. SCH 40 Black
24	GT1-5402-52	Nipple, 1-1/2 in. X 52 in. SCH 40 Black
25	GT1-5401-48	Pipe Tube 1 X 48 SCH 80 Black
26	GT1-5400-45	Nipple, 3/4 in. X 45 in. SCH 80 Black
27	GT3-5400	Clamp, Korn RA 3/4 in.
28	GT3-0464	Clamp, Korn RA 1 in.
29	GT3-0361	Clamp, Korn RA 1-1/2 in.
30	GT1-2080	Nipple, 3/4 in. X 9 in. SCH 80 Black
31	007-1755-3	Nipple, 1 in. X 12 in. SCH 80 Black
32	GT1-5402-26	Pipe Tube 1 1/2 X 26 SCH 40 Black
33	GT3-0674	Elbow, 3/4 in. 45 deg SCH 80 Black
34	D67-0021	Nipple, 3/4 Close SCH 80 Black
35	GT3-5403	Elbow, 1 in. 45 deg SCH 80 Black
36	GT3-5404	Elbow, 1 1/2 in. 45 deg SCH 40 Black
37	D08-0009	Nipple, 1 1/2 in. Close SCH 40 Black
38	GT1-5403	Bracket, Pipe Support
39	S-9065	Flange Bolt, 3/8-16 X 1 Zinc Grade 5
40	S-456	Nut, Hex 3/8-16 YDP Grade 5
77	S-6643	Hanger, Conduit 1 1/2 in.
NS	DC-1191	Tag, Open Drain Valve
NS	D03-1183	Cord, 72 in. Canfield 5J Series ISO Ding Connector with 12 in. of Jacke
NS	FH-1310	Connector, Cord Heyco #3231 Replaces: 006-1235-8

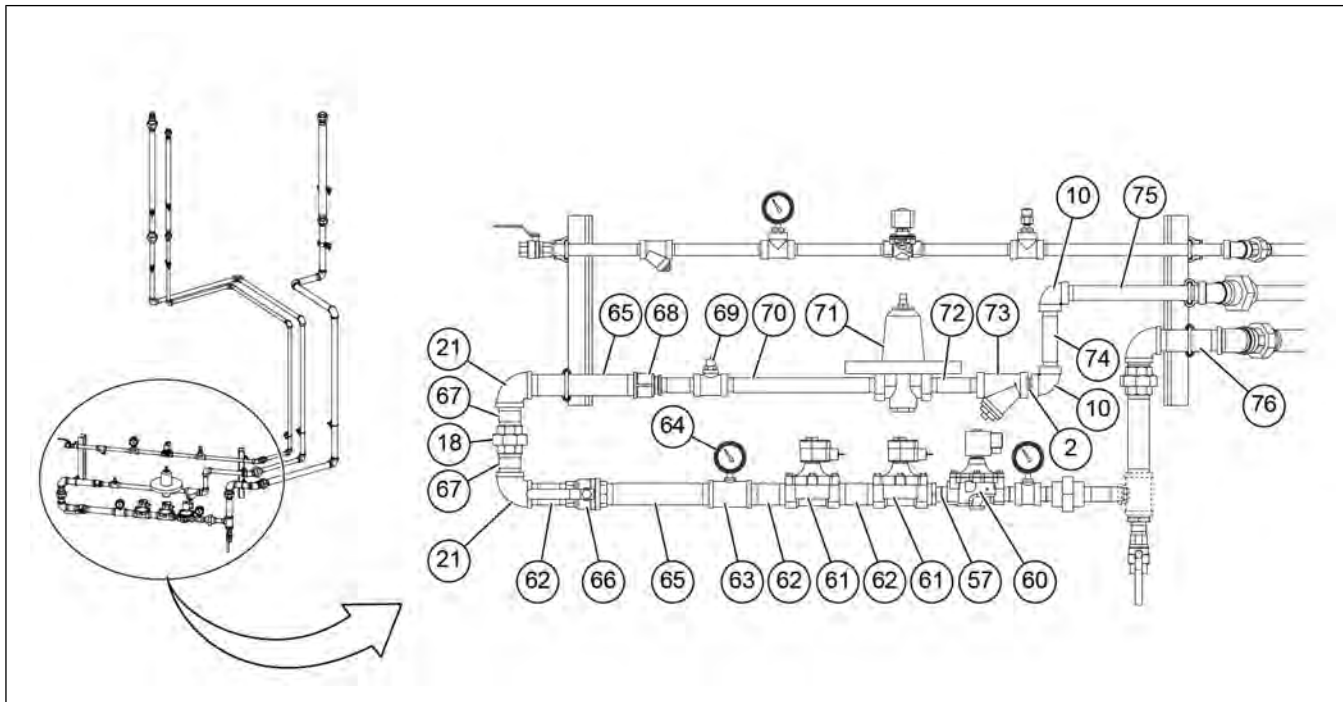
Figure 5-20 1010/1012 Pipetrain – LP (GT4-7043) (Continued)



Item	Part Number	Description
18	D08-0010	Union, 1 1/2 in. Female SCH 40 Black
21	D08-0011	Elbow, 1 1/2 in. -90 SCH 40 Black
30	GT1-2080	Nipple, 3/4 in. X 9 in. SCH 80 Black
37	D08-0009	Nipple, 1 1/2 in. Close SCH 40 Black
41	GT1-2079	Nipple, 3/4 in. X 17 in. SCH 80 Black
42	007-1647-2	Tee, 3/4 X 3/4 X 3/4 80
43	D07-0027	Bushing, Reducer 3/4 in. X 1/4 in. Hex SCH 40
44	TFC-0027	Valve, 1/4 in. NPT 250 PSI Relief REGO Only CGA Approved
45	TF-1296	Valve, Solenoid 3/4 in. Liquid
46	GT3-0671	Gauge, Pressure 2 1/2 Liquid Filled 200 PSI
47	D67-0008	Strainer, 3/4 in. Y 250# WOG SCH 80 Black, W/Plug
48	D58-0002	Valve, 3/4 in. NPT Ball Shutoff Brass
49	GT1-5402-8	Nipple, 1 1/2 in. X 8-1/4 in. SCH 40 Black
50	D38-0001	Tee, 1 1/2 in. X 1 1/2 in. X 1 in. SCH 40 Black
51	D08-0007	Bushing, Reducer 1 1/2 in. X 1 in. Hex SCH 40 Black
52	THH-4037	Nipple, 1 in. X 2 1/2 in. SCH 40 Black
53	TFC-0093	Valve, 1 in. NPT Bronze Ball -CGA- B&K #110-525 CGA Approved
54	406-1465-3	Orifice, 0.625 X 3/4 NPT
55	406-1463-8-4	Pipe, Orifice 1 X 4
56	007-1105-1	Union, Female 1 in. SCH 40
57	007-1242-2	Nipple, 1 in. X 2 in. SCH 40 Black
58	THH-4152	Tee, 1 in. X 1 in. X 1/4 in. SCH 40 Black
59	D03-0867	Gauge, PSI 0-15 Dual Scale 0-100kPa Liquid Filled

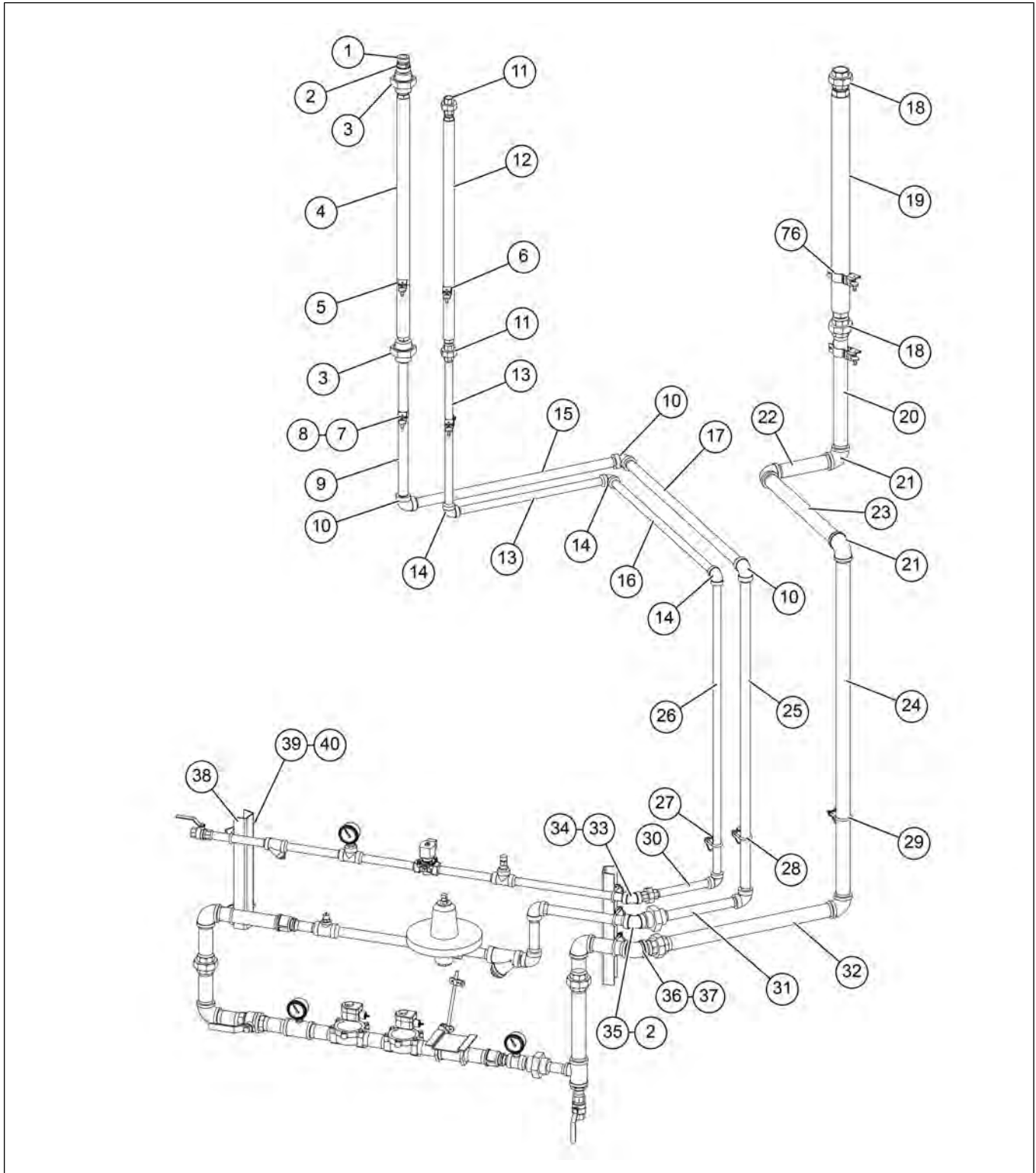
Chapter 5: Burner Blower Section

Figure 5-21 1010/1012 Pipetrain – LP (GT4-7043) (Continued)



Item	Part Number	Description
2	007-1782-7	Nipple, CL 1 SCH 80 CAD Plate
10	007-1753-8	Elbow, 1 in. 90 Degree SCH 80 Black
18	D08-0010	Union, 1 1/2 in. Female SCH 40 Black
21	D08-0011	Elbow, 1 1/2 in. -90 SCH 40 Black
57	007-1242-2	Nipple, 1 in. X 2 in. SCH 40 Black
60	056-2230-3	Valve, Solenoid 1NPT 115V DIN W/Bypass 30 PSI Max ASCO Rebuild Kit
61	GT3-0720	Valve, ASCO 1-1/2 in. (Model # HV299605001)
62	D08-0021	Nipple, 1 1/2 in. X 4 in. SCH 40 Black
63	TF-1710	Tee, 1-1/2 X 1-1/2 X 1/4 SCH 40 Black
64	HH-2984	Gauge, Pressure 0-30# LP Liquid Filled – 1/4 in. NPT Threads
65	GT3-1034	Nipple, 1-1/2 X 10 SCH 40 Black
66	D08-0008	Valve, 1 1/2 in. NPT B-Cock Shutoff Brass or Bronze
67	D08-0013	Nipple, 1 1/2 X 3 in. SCH 40 Black
68	D03-0799	Reducer, Female, 1-1/2 in. NPT TO 1 in. NPT, Black Malleable, SCH 40 Black
69	GT4-5065	Vapor Hi-Limit Assembly (200 deg)
70	007-1786-8	Pipe Tube 1 X 14 80 Black
71	GT3-5261	Regulator, Fisher 95L 1 in. NPT LP 5-15 PSI NPRN SEAT MATL
72	007-1784-3	Nipple, 1 X 5 80 Black
73	D67-0009	Strainer, 1 in. Y SCH 80 Black, W/Plug
74	007-1774-4	Nipple, 1 X 6 80
75	007-1785-0	Tube, Pipe 1 X 12-1/2 80 Black
76	D08-0001	Nipple, 1 1/2 in. X 6 in. SCH 40 Black

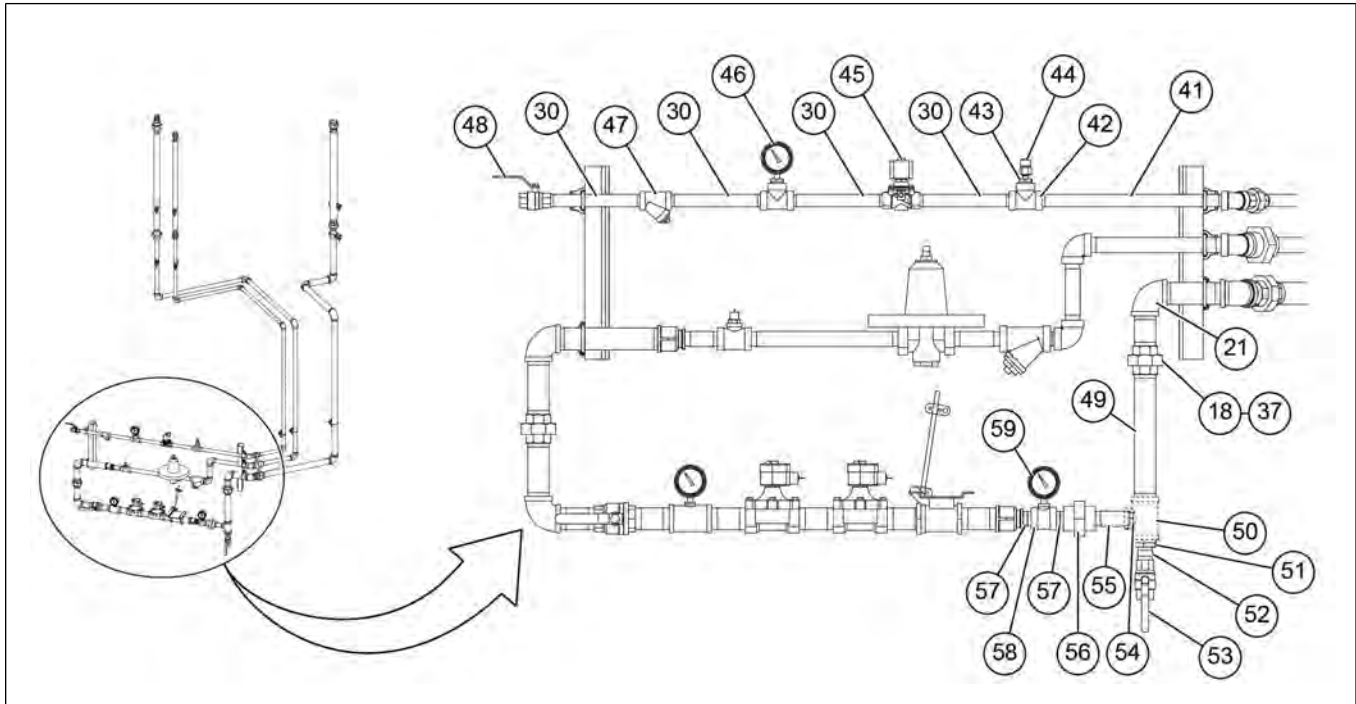
Figure 5-22 1010/1012 Pipetrain – LP, Modulating Valve (GT4-7052)



Chapter 5: Burner Blower Section

Item	Part Number	Description
1	GT3-5406	Reducer, Bell 1 in. X 3/4 in. SCH 80 Black
2	007-1782-7	Nipple, CL 1 SCH 80 CAD Plate
3	007-1756-1	Union, Female 1 in. 80
4	GT3-1725	Hose, 1 in. X 39 in. Flexible, LP (-20 to +220 deg F.)
5	D62-0005	Clamp, 3/4 in. Conduit
6	GT3-0523	Hanger, conduit 1 in.
7	GT3-0241	Clamp, Beam 1/2 in.
8	S-1101	Bolt, HHCS 1/4-20 x 1/2 Zinc/Clear Grade 2
9	GT1-5401-22	Pipe Tube 1 X 22 SCH 80 Black
10	007-1753-8	Elbow, 1 in. 90 deg SCH 80 Black
11	D67-0002	Union, 3/4 in. Female SCH 80 Black 707-1316-9
12	GT3-5532	Hose, 3/4 in. X 36 in. Flexible Gas
13	GT1-5400-23	Pipe Tube 3/4 X 23 SCH 80 Black
14	D67-0011	Elbow, 3/4 in. -90 SCH 80 Black
15	007-1760-3	Pipe Tube 1 X 31-1/2 80
16	D01-1009	Nipple, 3/4 X 32 in. SCH 80 Black
17	GT1-5401-36	Pipe Tube 1 X 36 SCH 80 Black
18	D08-0010	Union, 1 1/2 in. Female SCH 40 Black
19	GT3-1726	Hose, 1.1/2 in. X 36 in. GAS
20	D01-2472	Pipe Tube 1 1/2 in. X 18 in. SCH 40 Black
21	D08-0011	Elbow, 1 1/2 in. -90 SCH 40 Black
22	HH-7067	Nipple, 1 1/2 in. X 9 in. SCH 40 Black
23	D01-0764	Nipple, 1 1/2 in. X 22 in. SCH 40 Black
24	GT1-5402-52	Nipple, 1-1/2 in. X 52 in. SCH 40 Black
25	GT1-5401-48	Pipe Tube 1 X 48 SCH 80 Black
26	GT1-5400-45	Nipple, 3/4 in. X 45 in. SCH 80 Black
27	GT3-5400	Clamp, Korn RA 3/4 in.
28	GT3-0464	Clamp, Korn RA 1 in.
29	GT3-0361	Clamp, Korn RA 1-1/2 in.
30	GT1-2080	Nipple, 3/4 in. X 9 in. SCH 80 Black
31	007-1755-3	Nipple, 1 in. X 12 in. SCH 80 Black
32	GT1-5402-26	Pipe Tube 1 1/2 X 26 SCH 40 Black
33	GT3-0674	Elbow, 3/4 in. 45 deg SCH 80 Black
34	D67-0021	Nipple, 3/4 Close SCH 80 Black
35	GT3-5403	Elbow, 1 in. 45 deg SCH 80 Black
36	GT3-5404	Elbow, 1 1/2 in. 45 deg SCH 40 Black
37	D08-0009	Nipple, 1 1/2 in. Close SCH 40 Black
38	GT1-5403	Bracket, Pipe Support
39	S-9065	Flange Bolt, 3/8-16 X 1 Zinc Grade 5
40	S-456	Nut, Hex 3/8-16 YDP Grade 5
76	S-6643	Hanger, Conduit 1 1/2 in.
NS	DC-1191	Tag, Open Drain Valve
NS	FH-1310	Connector, Cord Heyco #3231 Replaces: 006-1235-8
NS	GT1-5402-8	Nipple, 1 1/2 in. X 8-1/4 in. SCH 40 Black

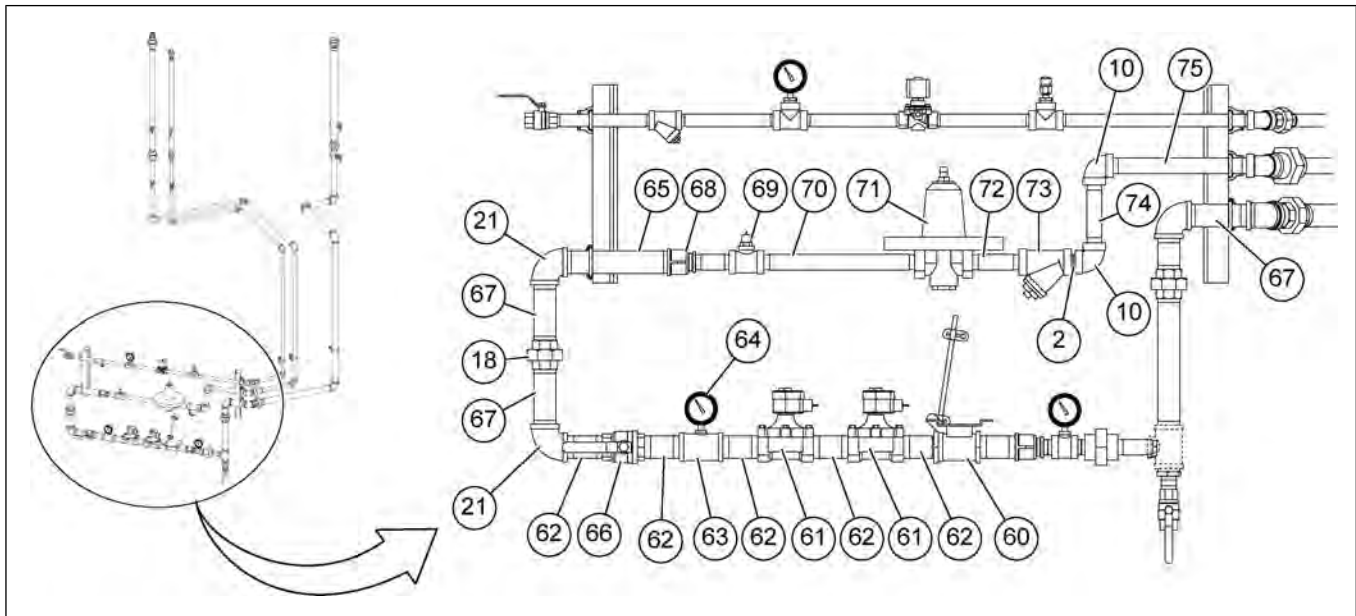
Figure 5-23 1010/1012 Pipetrain – LP, Modulating Valve (GT4-7052) (Continued)



Item	Part Number	Description
18	D08-0010	Union, 1 1/2 in. Female SCH 40 Black
21	D08-0011	Elbow, 1 1/2 in. -90 SCH 40 Black
30	GT1-2080	Nipple, 3/4 in. X 9 in. SCH 80 Black
37	D08-0009	Nipple, 1 1/2 in. Close SCH 40 Black
41	GT1-2079	Nipple, 3/4 in. X 17 in. SCH 80 Black
42	007-1647-2	Tee, 3/4 X 3/4 X 3/4 80
43	D07-0027	Bushing, Reducer 3/4 in. X 1/4 in. Hex SCH 40
44	TFC-0027	Valve, 1/4 in. NPT 250 PSI Relief REGO Only CGA Approved
45	TF-1296	Valve, Solenoid 3/4 in. Liquid
46	GT3-0671	Gauge, Pressure 2 1/2 Liquid Filled 200 PSI
47	D67-0008	Strainer, 3/4 in. Y 250# WOG SCH 80 Black, W/Plug
48	D58-0002	Valve, 3/4 in. NPT Ball Shutoff Brass
49	D08-0028	Nipple, 1 1/2 in. X 12 in. SCH 40 Black
50	D38-0001	Tee, 1 1/2 in. X 1 1/2 in. X 1 in. SCH 40 Black
51	D08-0007	Bushing, Reducer 1 1/2 in. X 1 in. Hex SCH 40 Black
52	THH-4037	Nipple, 1 in. X 2 1/2 in. SCH 40 Black
53	TFC-0093	Valve, 1 in. NPT Bronze Ball -CGA- B&K #110-525 CGA Approved
54	406-1465-3	Orifice, 0.625 X 3/4 NPT
55	406-1463-8-4	Pipe, Orifice 1 X 4
56	007-1105-1	Union, Female 1 in. SCH 40
57	007-1242-2	Nipple, 1 in. X 2 in. SCH 40 Black
58	THH-4152	Tee, 1 in. x 1 in. x 1/4 in. SCH 40 Black
59	D03-0867	Gauge, PSI 0-15 Dual Scale 0-100kPa Liquid Filled

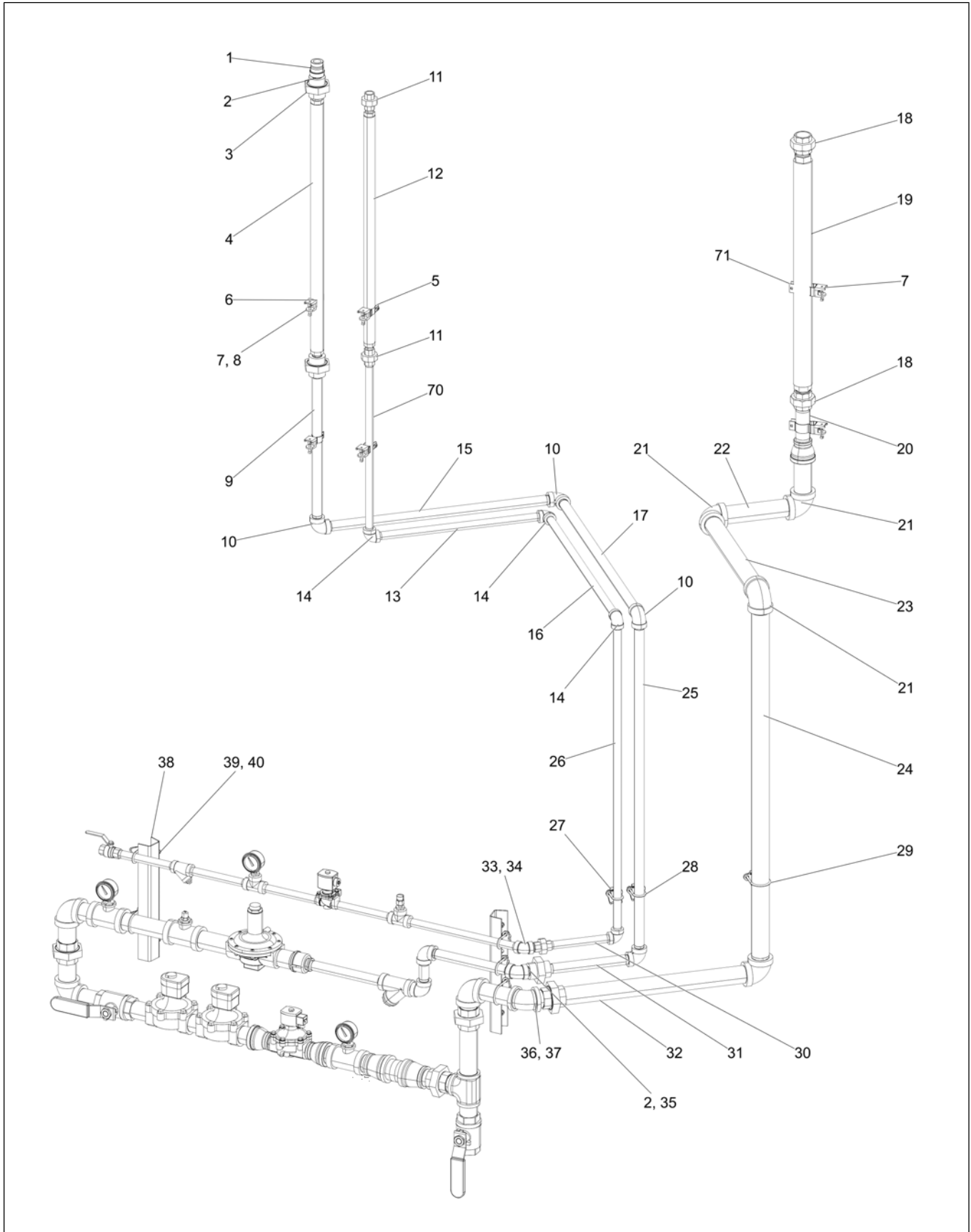
Chapter 5: Burner Blower Section

Figure 5-24 1010/1012 Pipetrain – LP, Modulating Valve (GT4-7052) (Continued)



Item	Part Number	Description
2	007-1782-7	Nipple, CL 1 SCH 80 CAD Plate
10	007-1753-8	Elbow, 1 in. 90 deg SCH 80 Black
18	D08-0010	Union, 1 1/2 in. Female SCH 40 Black
21	D08-0011	Elbow, 1 1/2 in. -90 SCH 40 Black
60	GT3-0515-15	Valve, Maxon V51E Butterfly
61	GT3-0720	Valve, ASCO 1-1/2 in. (Model # HV299605001)
62	D08-0021	Nipple, 1 1/2 in. X 4 in. SCH 40 Black
63	TF-1710	Tee, 1-1/2 x 1-1/2 X 1/4 SCH 40 Black
64	HH-2984	Gauge, Pressure 0-30# LP Liquid Filled – 1/4 in. NPT Threads
65	GT3-1034	Nipple, 1-1/2 X 10 SCH 40 Black
66	D08-0008	Valve, 1 1/2 in. NPT B-Cock Shutoff Brass or Bronze
67	D08-0001	Nipple, 1 1/2 in. X 6 in. SCH 40 Black
68	D03-0799	Reducer, Female, 1-1/2 in. NPT TO 1 in. NPT, Black Malleable, SCH 40 Black
69	GT4-5065	Vapor Hi-Limit Assembly (200 deg)
70	007-1786-8	Pipe Tube 1 X14 80 Black
71	GT3-5261	Regulator, Fisher 95L 1 in. NPT LP 5-15 PSI NPRN SEAT MATL
72	007-1784-3	Nipple, 1 X 5 80 Black
73	D67-0009	Strainer, 1 in. Y SCH 80 Black, W/Plug
74	007-1774-4	Nipple, 1 X 6 80
75	007-1785-0	Tube, Pipe 1 X 12-1/2 80 Black

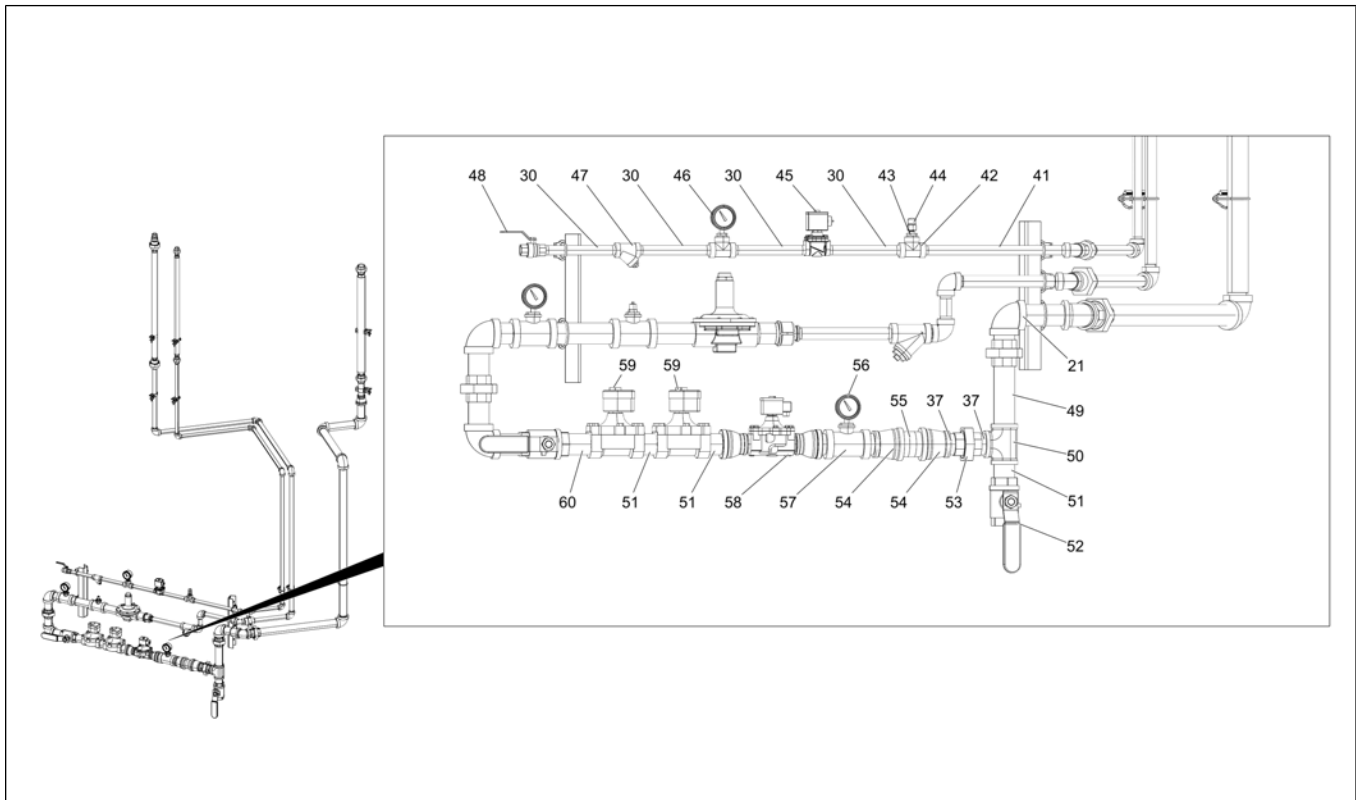
Figure 5-25 1015 Pipetrain – LP (GT4-7057)



Chapter 5: Burner Blower Section

Item	Part Number	Description
1	GT3-5406	Reducer, Bell 1 in. X 3/4 in. SCH 80 Black
2	007-1782-7	Nipple, CL 1 SCH 80
3	007-1756-1	Union Female, 1 in SCH 80
4	GT3-1725	Hose Assembly, 1 in. X 39 in. Flexible, LP
5	D62-0005	Clamp, 3/4 in. Conduit
6	GT3-0523	Hanger, Conduit 1 in.
7	GT3-0241	Clamp, Beam 1/2 in.
8	S-1101	Bolt, HHCS 1/4-20 x 1/2 Zinc/Clear Grade 2
9	GT1-5401-22	Pipe Tube 1 X 22 SCH 80 Black
10	007-1753-8	Elbow, 1 in. 90 deg. SCH 80 Black
11	D67-0002	Union, 3/4 in. Female SCH 80 Black
12	GT3-5532	Hose, Flex 3/4 in. X 36 in. LP/NG
13	GT1-5400-23	Pipe Tube 3/4 in. X 23 in. SCH 80 Black
14	D67-0011	Elbow, 3/4 in. -90 deg. SCH 80 Black
15	007-1760-3	Nipple, 1 x 31-1/2 SCH 80 Black
16	D01-1009	Nipple, 3/4 in. X 32 in. SCH 80 Black
17	GT1-5401-36	Pipe Tube 1 X 36 SCH 80 Black
18	D08-0010	Union, 1 1/2 in. Female SCH 40 Black
19	GT3-1726	Hose, Flex 1.5 in. X 36 in. LP/NG
20	D08-0001	Nipple, 1-1/2 in. X 6 in. SCH 40 Black
21	GT3-0113	Elbow, 2 in. 90 deg SCH 80 Black PB
22	707-1215-3	Nipple, 2 X 10 in. SCH 40 Black
23	D01-3096	Nipple, 2 in. X 22 in. SCH 40 Black
24	D01-3095	Nipple, 2 in. X 52 in. SCH 40 Black
25	GT1-5401-48	Pipe Tube 1 X 48 SCH 80 Black
26	GT1-5400-45	Nipple, 3/4 in. X 45 in. SCH 80 Black
27	GT3-5400	Clamp, Korn RA 3/4 in.
28	GT3-0464	Clamp, Korn RA 1 in.
29	GT3-0344	Clamp, Korn RA 2 in. #RC-2
30	GT1-2080	Nipple, 3/4 in. X 9 in. SCH 80 Black
31	007-1755-3	Nipple, 1 X 12 SCH 80 Black
32	007-1765-2	Pipe Tube 2 X 26-1/4 SCH 40
33	GT3-0674	Elbow, 3/4 in. 45 deg SCH 80 Black
34	D67-0021	Nipple, 3/4 in. Close SCH 80 Black
35	GT3-5403	Elbow, 1 in. 45 deg SCH 80 Black
36	GT3-0114	Elbow, 2 in. 45 deg SCH 40 Black
37	GT3-0018	Nipple, 2 X Close SCH 40 Black
38	GT1-5403	Bracket, Pipe Support
39	S-9065	Bolt, Flange 3/8-16 X 1 Zinc/Clear Grade 5
40	S-456	Nut, Hex 3/8-16 YDP Grade 5
70	D01-1017	Nipple, 3/4 in. X 25 in. SCH 80 Black
71	S-6643	Hanger, Conduit, 1 1/2
NS	DC-1191	Tag, Open Drain Valve
NS	D08-0009	Nipple, 1 1/2 in. Close SCH 40 Black
NS	D03-1183	Cord, 72 in. Canfield 5J Series ISO Ding Connector with 12 in. of Jacke
NS	FH-1310	Connector, Cord Heyco #3231 Replaces: 006-1235-8
NS	THH-4005	Bushing, Reducer 1 in. X 1/2 in. HEX SCH40

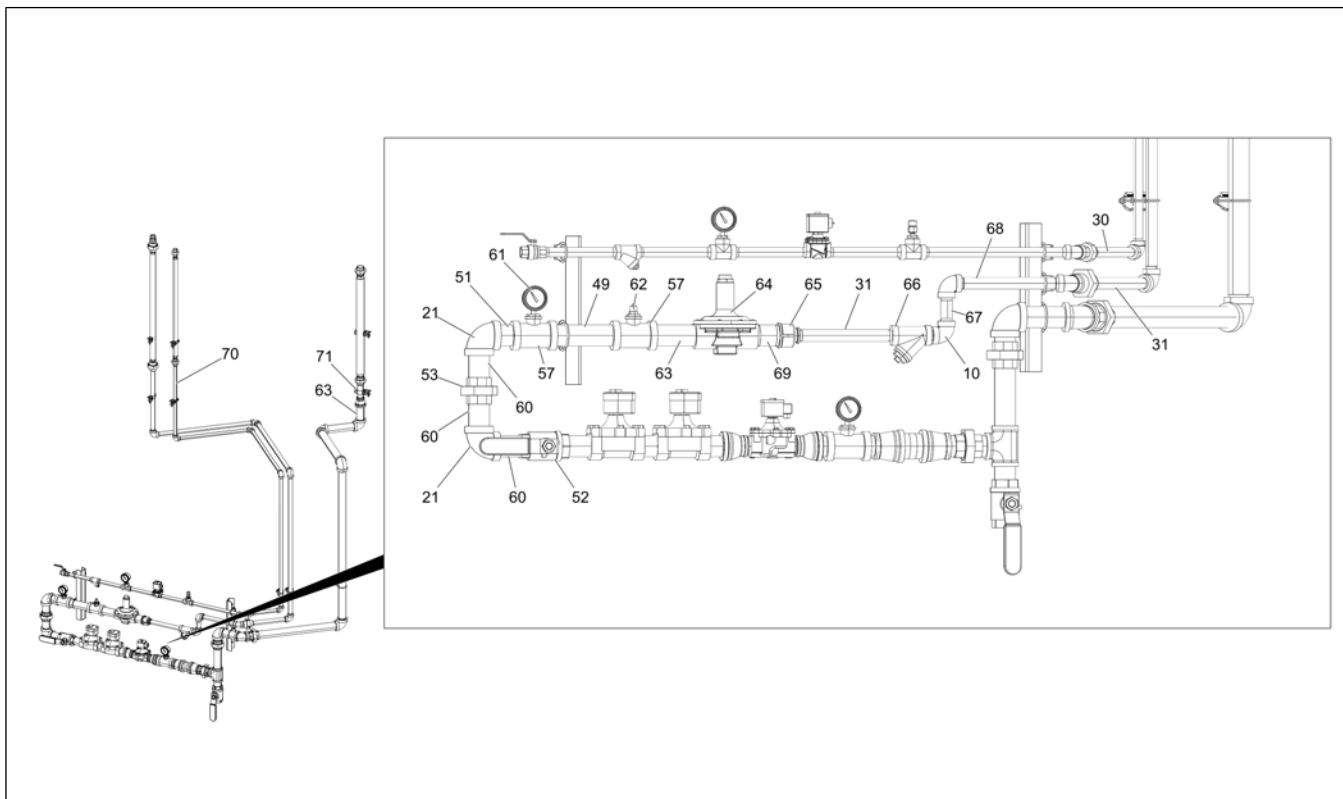
Figure 5-26 1015 Pipetrain – LP (GT4-7057) (Continued)



Item	Part Number	Description
21	GT3-0113	Elbow, 2 in. 90 deg SCH 80 Black PB
30	GT1-2080	Nipple, 3/4 in. X 9 in. SCH 80 Black
37	GT3-0018	Nipple, 2 X Close SCH 40 Black
41	GT1-2079	Nipple, 3/4 in. X 17 in. SCH 40 Black
42	007-1647-2	Tee, 3/4 X 3/4 X 3/4 80
43	D07-0027	Reducer, 3/4 in. X 1/4 in. Hex Bushing
44	TFC-0027	Valve, 1/4 in. NPT 250 PSI Relief
45	GT3-1232	Valve, Solenoid 3/4 in. Liquid
46	GT3-0671	Gauge 0-200# Pressure LP
47	D67-0008	Strainer 3/4 Y 250# WOG SCH 80 Black
48	D58-0002	Ball Valve 3/4 in. W/ Lever Handle
49	007-1469-1	Nipple, 2 X 8 in. SCH 40 Black
50	GT3-0025	Tee, 2 in. SCH 40 Black
51	D03-0441	Nipple, 2 in. X 3 in. SCH 40 Black
52	GT3-0014	Valve, Apollo 2 in.
53	GT3-0032	Union, 2 in. SCH 40 Black
54	707-1232-8	Reducer, Bell 2-1/2 X 2 in Black
55	410-2057-9	Orifice Weldment 0.7187
56	D03-0867	Gauge, Psi 0-15 Dual Scale 0-100 KPA GLV Filled
57	D03-0443	Tee, 2 in. X 2 in. X 1 in. SCH 40 Black
58	GT3-1127	Valve, Solenoid 1-1/2" NPT 115Y Din Bypass
59	TF-1721	Valve, 2 in. NPT Gaseous Solenoid
60	GT3-0019	Nipple, 2 X 4 in. SCH 40 Black
NS	THH-4001	Bushing, Reducer 1 in. X 1/4 in. HEX S40 Black

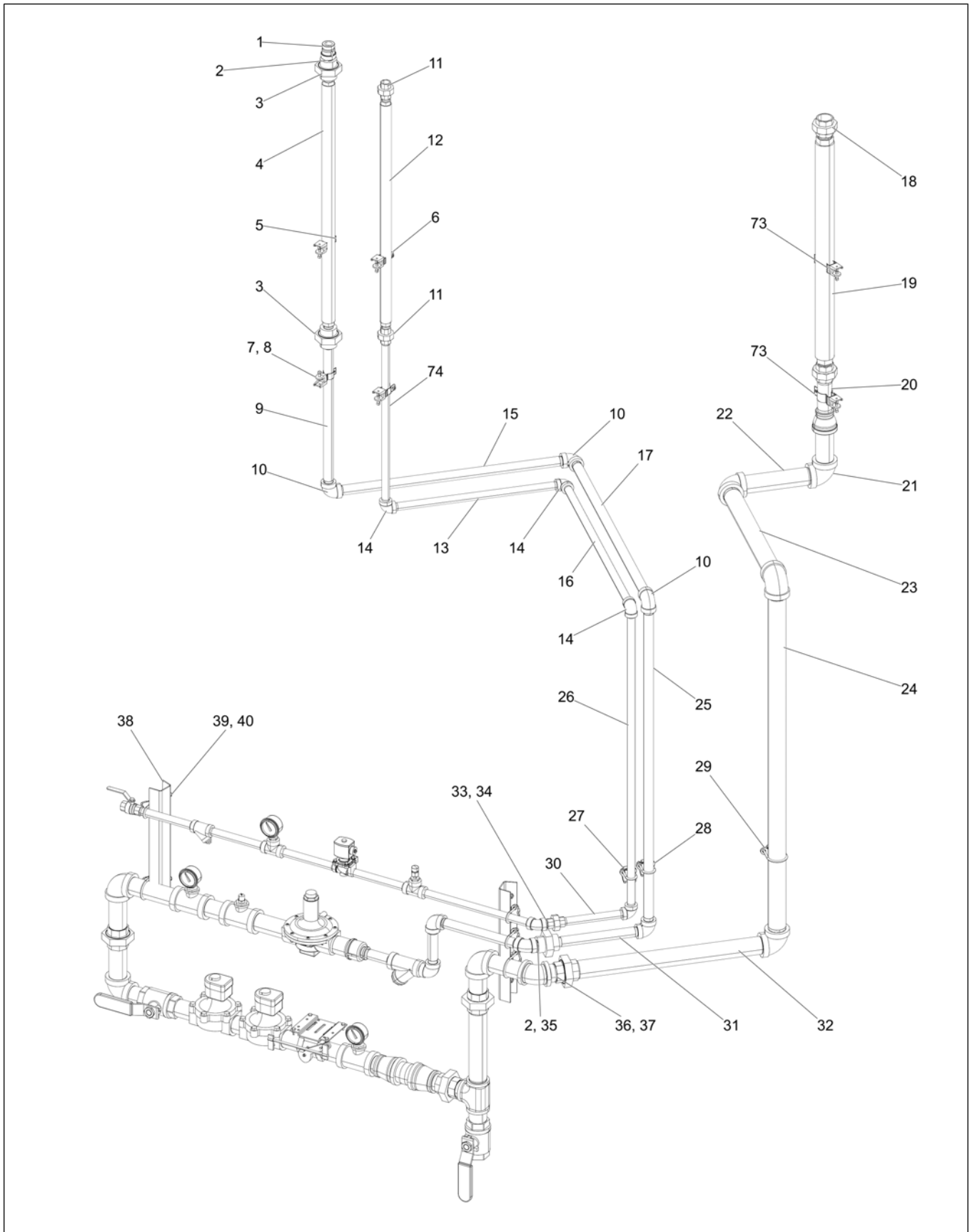
Chapter 5: Burner Blower Section

Figure 5-27 1015 Pipetrain – LP (GT4-7057) (Continued)



Item	Part Number	Description
10	007-1753-8	Elbow, 1 in. 90 deg. SCH 80 Black
20	D08-0001	Nipple, 1-1/2 in. X 6 in. SCH 40 Black
21	GT3-0113	Elbow, 2 in. 90 deg SCH 80 Black PB
30	GT1-2080	Nipple, 3/4 in. X 9 in. SCH 80 Black
31	007-1755-3	Nipple, 1 X 12 SCH 80 Black
49	007-1469-1	Nipple, 2 X 8 in. SCH 40 Black
51	D03-0441	Nipple, 2 in. X 3 in. SCH 40 Black
52	GT3-0014	Valve, Apollo 2 in.
53	GT3-0032	Union, 2 in. SCH 40 Black
57	D03-0443	Tee, 2 in. X 2 in. X 1 in. SCH 840 Black
60	GT3-0019	Nipple, 2 X 4 in. SCH 40 Black
61	HH-2984	Gauge, Pressure 0-30# LP Liquid
62	HH-7013	Switch Screw-In Vapor Hi-Limit 200F
63	GT3-0020	Nipple, 2 X 6 in. SCH 40 Black
64	GT3-0670	Regulator, Fisher 630 Hi-Press. 2 in. Body 8 To 20 PSI 1/2 in. Orifice
65	707-1362-3	Reducer, Bell 2 X 1 300#
66	D67-0009	Strainer, 1 in. Y SCH 80 Black
67	007-1791-8	Nipple, 1 X 4 SCH 80 Black
68	007-1785-0	Pipe, in. X 12.5 in., Tube, 80
69	HH-7059	Nipple, 2 in. X 4 in. SCH 80 Black
70	D01-1017	Nipple, 3/4 in. X 25 in. SCH 80 Black
71	S-6643	Hanger, Conduit, 1 1/2
NS	S-8507	Pipe Reducer Bell 2 X 1.1/2 Black

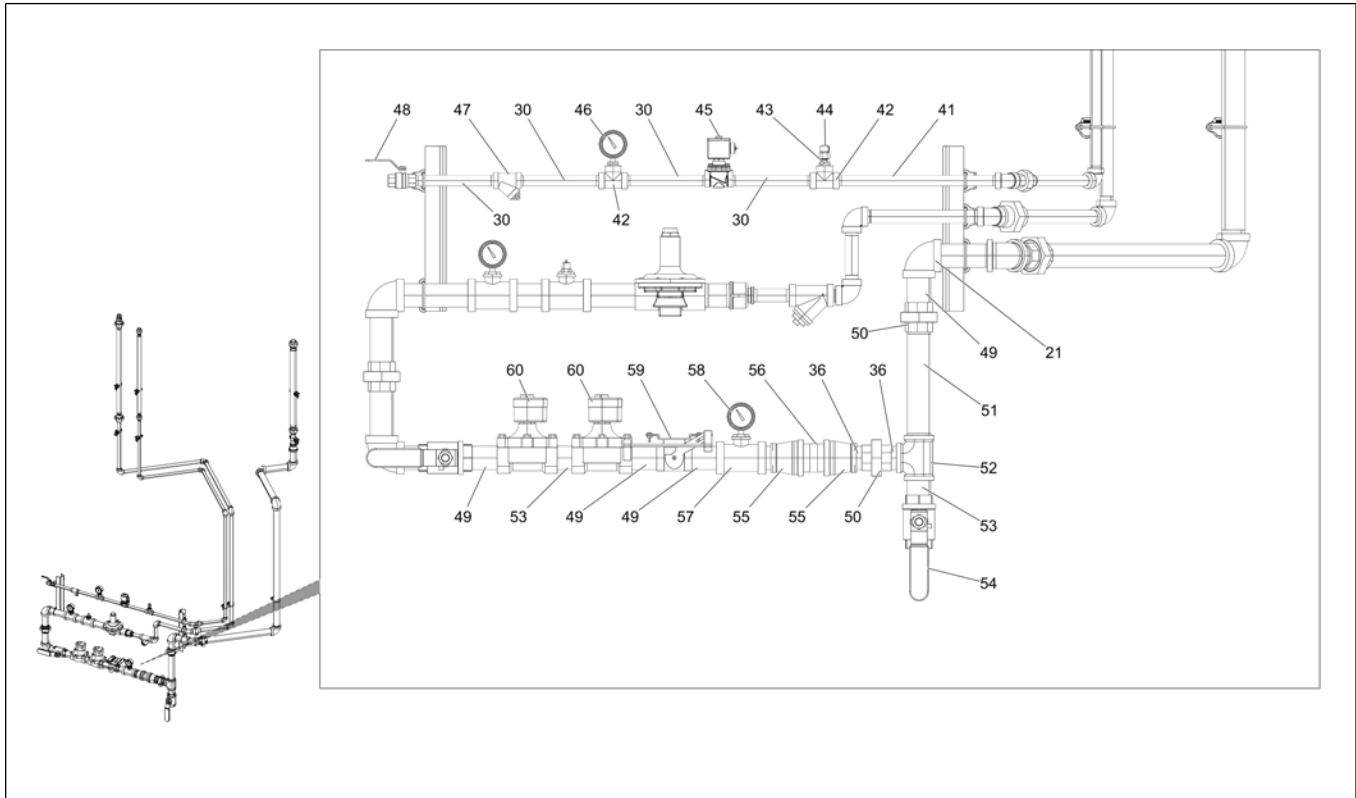
Figure 5-28 1015 Pipetrain – LP, Modulating Valve (GT4-7062)



Chapter 5: Burner Blower Section

Item	Part Number	Description
1	GT3-5406	Reducer, Bell 1 in. X 3/4 in. SCH 80 Black
2	007-1782-7	Nipple, CL 1 SCH 80
3	007-1756-1	Union, Female 1 in SCH 80
4	GT3-1725	Hose Assembly, 1 in. X 39 in. Flexible, LP
5	GT3-0523	Hanger, Conduit 1 in.
6	D62-0005	Clamp, 3/4 in. Conduit
7	GT3-0241	Clamp, Beam 1/2 in.
8	S-1101	Bolt, HHCS 1/4-20 x 1/2 Zinc/Clear Grade 2
9	GT1-5401-22	Pipe Tube 1 X 22 SCH 80 Black
10	007-1753-8	Elbow, 1 in. 90 deg SCH 80 Black
11	D67-0002	Union, 3/4 in. Female SCH 80 Black
12	GT3-5532	Hose, Flex 3/4 in. X 36 in. LP/NG
13	GT1-5400-23	Pipe Tube 3/4 in. X 23 in. SCH 80 Black
14	D67-0011	Elbow, 3/4 in. -90 deg SCH 80 Black
15	007-1760-3	Nipple, 1 x 31-1/2 SCH 80 Black
16	D01-1009	Nipple, 3/4 in. X 32 in. SCH 80 Black
17	GT1-5401-36	Pipe Tube 1 X 36 SCH 80 Black
18	D08-0010	Union, 1 1/2 in. Female SCH 40 Black
19	GT3-1726	Hose, Flex 1.5 in. X 36 in. LP/NG
20	D08-0001	Nipple, 1-1/2 in. X 6 in. SCH 80 Black
21	GT3-0113	Elbow, 2 in. 90 deg SCH 40 Black PB
22	707-1215-3	Nipple, 2 X 10 in. SCH 40 Black
23	D01-3096	Nipple, 2 in. X 22 in. SCH 40 Black
24	D01-3095	Nipple, 2 in. X 52 in. SCH 40 Black
25	GT1-5401-48	Pipe Tube 1 X 48 SCH 80 Black
26	GT1-5400-45	Nipple, 3/4 in. X 45 in. SCH 80 Black
27	GT3-5400	Clamp, Korn RA 3/4 in.
28	GT3-0464	Clamp, Korn RA 1 in.
29	GT3-0344	Clamp, Korn RA 2 in. #RC-2
30	GT1-2080	Nipple, 3/4 in. X 9 in. SCH 80 Black
31	007-1755-3	Nipple, 1 X 12 SCH 80 Black
32	007-1765-2	Pipe Tube 2 X 26-1/4 SCH 80 Black
33	D67-0021	Nipple, 3/4 in. Close SCH 80 Black
34	GT3-0674	Elbow, 3/4 in. 45 deg SCH 80 Black
35	GT3-5403	Elbow, 1 in. 45 deg SCH 80 Black
36	GT3-0018	Nipple, 2 X Close SCH 80 Black
37	GT3-0114	Elbow, 2 in. 45 deg SCH 40 Black
38	GT1-5403	Bracket, Pipe Support
39	S-9065	Bolt, Flange 3/8-16 X 1 Zinc/Clear Grade 5
40	S-456	Nut, Hex 3/8-16 YDP Grade 5
73	S-6643	Hanger, Conduit 1 1/2
74	D01-1017	Nipple, 3/4 in. X 25 in. SCH 40 Black
NS	DC-1191	Tag, Open Drain Valve
NS	FH-1310	Connector, Cord Heyco #3231 Replaces: 006-1235-8

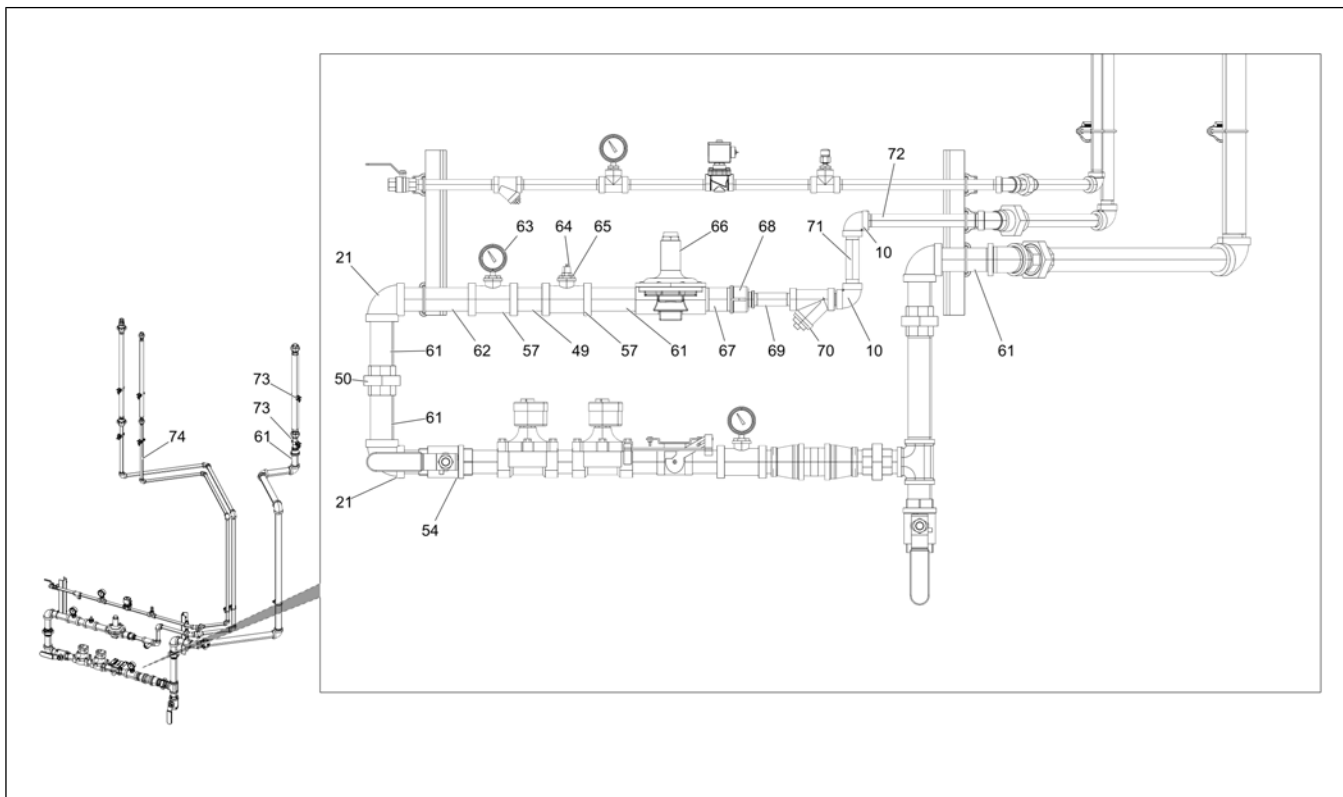
Figure 5-29 1015 Pipetrain – LP, Modulating Valve (GT4-7062) (Continued)



Item	Part Number	Description
21	GT3-0113	Elbow, 2 in. 90 deg SCH 40 Black PB
30	GT1-2080	Nipple, 3/4 in. X 9 in. SCH 80 Black
41	GT1-2079	Nipple, 3/4 in. X 17 in. SCH 40 Black
42	007-1647-2	Tee, 3/4 X 3/4 X 3/4 80
43	D07-0027	Reducer, 3/4 in. X 1/4 in. Hex Bushing
44	TFC-0027	Valve, 1/4 in. NPT 250 Psi Relief
45	GT3-1232	Valve, Solenoid 3/4 in. Liquid
46	GT3-0671	Gauge 0-200# Pressure LP
47	D67-0008	Strainer 3/4 Y 250# WOG SCH 80 Black
48	D58-0002	Ball Valve 3/4 in. W/ Lever Handle
49	GT3-0019	Nipple, 2 X 4 in. SCH 40 Black
50	GT3-0032	Union, 2 in. SCH 40 Black
51	GT3-0117	Nipple, 2 X 12 in. SCH 40 Black
52	GT3-0025	Tee, 2 in. SCH 40 Black
53	D03-0441	Nipple, 2 in. X 3 in. SCH 40 Black
54	GT3-0014	Valve, Apollo 2 in.
55	707-1232-8	Reducer, Bell 2-1/2 X 2 in Black
56	410-2057-9	Orifice Weldment 0.7187
57	D03-0443	Tee, 2 in. X 2 in. X 1 in. SCH 40 Black
58	D03-0867	Gauge, Psi 0-15 Dual Scale 0-100 kpa GLV Filled
59	GT3-0515	Valve, Maxon 2 in. Cv Series #63-18209
60	TF-1721	Valve, 2 in. NPT Gaseous Solenoid

Chapter 5: Burner Blower Section

Figure 5-30 1015 Pipetrain – LP, Modulating Valve (GT4-7062) (Continued)



Item	Part Number	Description
10	007-1753-8	Elbow, 1 in. 90 deg SCH 80 Black
21	GT3-0113	Elbow, 2 in. 90 deg SCH 40 Black PB
49	GT3-0019	Nipple, 2 X 4 in. SCH 40 Black
50	GT3-0032	Union, 2 in. SCH 40 Black
54	GT3-0014	Valve, Apollo 2 in.
57	D03-0443	Tee, 2 in. X 2 in. X 1 in. SCH 40 Black
61	GT3-0020	Nipple, 2 X 6 in. SCH 40 Black
62	007-1469-1	Nipple, 2 X 8 in. SCH 40 Black
63	HH-2984	Gauge, Pressure 0-30# LP Liquid
64	HH-7013	Switch Screw-In Vapor Hi-Limit 200F
65	THH-4005	Reducer Bushing 1/2 x 1
66	GT3-0670	Regulator, Fisher 630 Hi-Press. 2 in. Body 8 To 20 Psi 1/2" Orifice
67	HH-7059	Nipple, 2 in. X 4 in. SCH 40 Black
68	707-1362-3	Reducer, Bell 2 X 1 300#
69	007-1784-3	Nipple, 1 X 5 SCH 80 Black
70	D67-0009	Strainer, 1 in. Y SCH 80 Black
71	007-1774-4	Nipple, 1 X 6 SCH 80 Black
72	007-1785-0	Pipe, 1 in. X 12.5 in. , Tube, 80
73	S-6643	Hanger, Conduit, 1 1/2
74	D01-1017	Nipple, 3/4 in. X 25 in. SCH 40 Black
NS	THH-4001	Bushing, Reducer 1 in. X 1/4 in. Hex S40 Black
NS	S-8507	Pipe Reducer Bell 2 X 1.1/2 Black

Pipetrains – Natural Gas (NG)

Burner Blowers Section Pipetrains

Figure 5-31 1008/1010/1012 Pipetrain – NG (GT4-7044)

Item	Part Number	Description
1	007-1782-7	Nipple, CL 1 SCH 80 CAD Plate
2	007-1753-8	Elbow, 1 in. 90 deg SCH 80 Black
3	007-1801-5	Nipple, 1 X 7 80 Black ASTM A53
4	D03-0799	Reducer, Female, 1-1/2 in. NPT To 1 in. NPT, Black Malleable, SCH 40
5	GT3-1034	Nipple, 1 1/2 in. X in. SCH 40 Black
6	D08-0010	Union, 1 1/2 in. Female SCH 40 Black

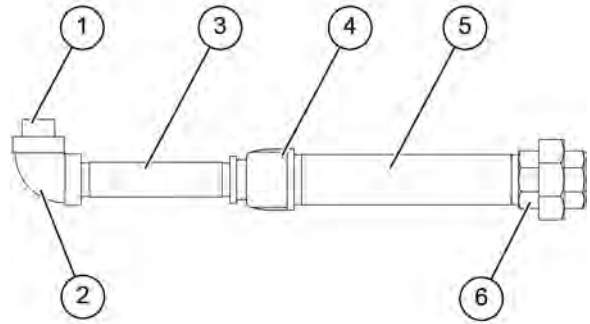
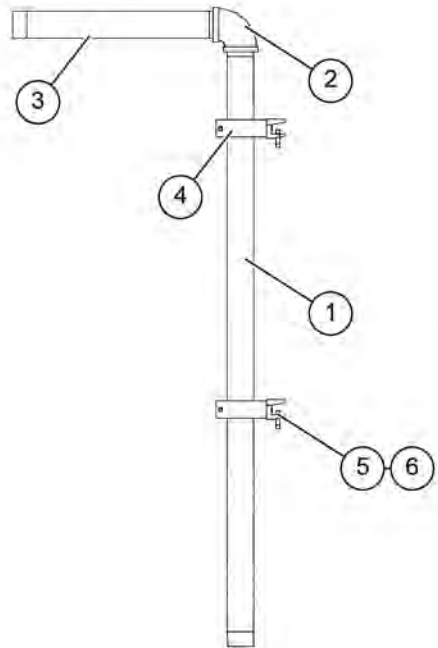


Figure 5-32 1008/1010/1012 Pipetrain – NG (GT4-7045)

Item	Part Number	Description
1	D08-0002	Nipple, 1 1/2 X in. SCH 40 Black
2	D08-0011	Elbow, 1 1/2 in. -90 SCH 40 Black
3	007-1238-0	Pipe Tube 1-1/2 X 15
4	S-6643	Hanger, Conduit 1 1/2
5	S-1101	Bolt, HHCS 1/4-20 1/2 Zinc/Clear Grade 2
6	GT3-0241	Clamp, Beam 1/2 in.



Chapter 5: Burner Blower Section

Figure 5-33 1015 Pipetrain – NG (GT4-7058)

Item	Part Number	Description
1	GT1-5402-40	Nipple, 1 1/2 x 4 in. SCH 40 Black
2	GT3-5404	Elbow, 1 1/2 in. 45 deg SCH 40 Black
3	D08-0028	Nipple, 1 1/2 in.x 12 in. SCH 40 Black
4	GT1-5716	Pipe Tube 1.500" X 7 in. SCH 40 Black
5	S-6643	Hanger, Conduit 1 1/2
6	GT3-0241	Clamp, Beam 1/2 in.
7	S-1101	Bolt, HHCS 1/4-20 x 1/2 Zinc/Clear Grade 2

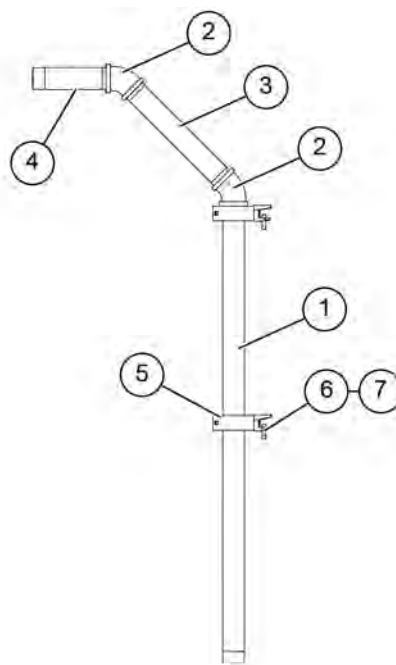


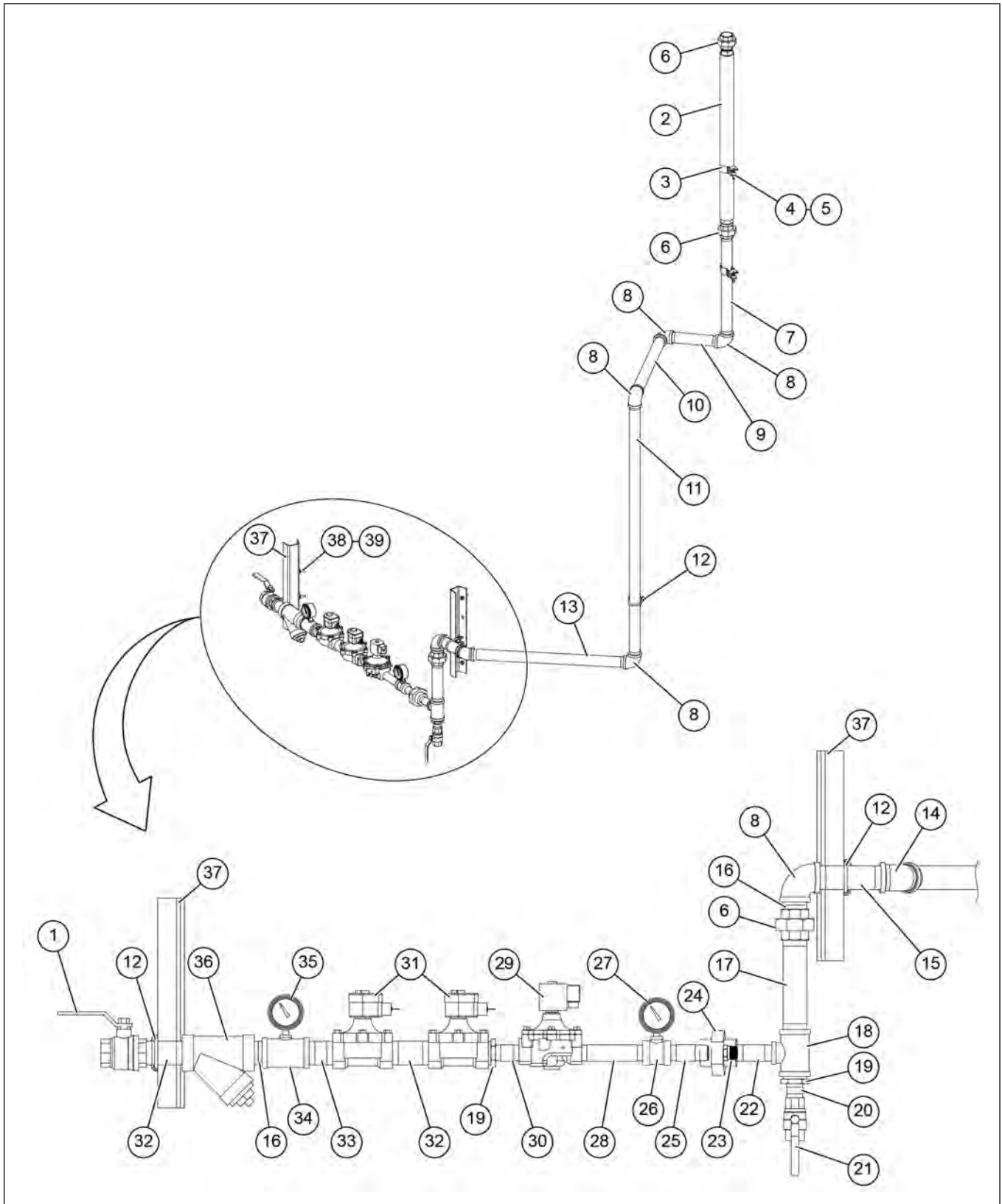
Figure 5-34 1015 Pipetrain – NG (GT4-7055)

Item	Part Number	Description
1	D01-2474	Pipe Tube 1 1/2 in. x 14 in. SCH 40 Black
2	D08-0010	Union, 1 1/2 in. Female SCH 40 Black



Unload Section Pipetrains

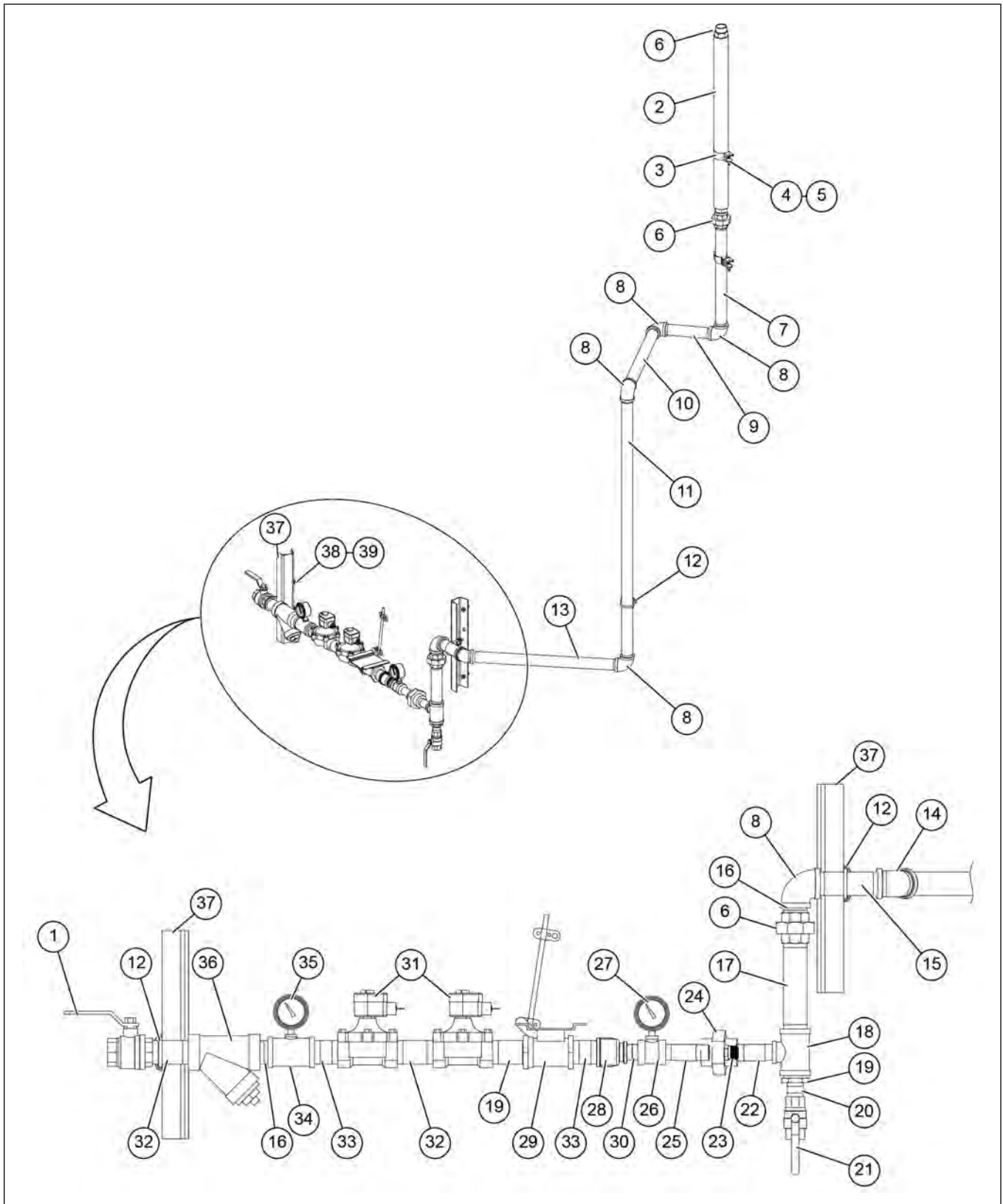
Figure 5-35 1008 Pipetrain – NG (GT4-7046)



Chapter 5: Burner Blower Section

Item	Part Number	Description
1	D08-0008	Valve, 1 1/2 in. NPT B-Cock Shutoff Brass or Bronze
2	D68-0019	Hose, 1.1/2 in. X 36 in. Gas
3	S-6643	Hanger, Conduit 1 1/2
4	GT3-0241	Clamp, Beam 1/2 in.
5	S-1101	Bolt, HHCS 1/4-20 X 1/2 Zinc/Clear Grade 2
6	D08-0010	Union, 1 1/2 in. Female SCH 40 Black
7	GT1-5402-20	Nipple, 1 1/2 in. X 20 in. SCH 40 Black
8	D08-0011	Elbow, 1 1/2 in. -90 SCH 40 Black
9	HH-7067	Nipple, 1 1/2 in. X 9 in. SCH 40 Black
10	D01-0764	Nipple, 1 1/2 in. X 22 in. SCH 40 Black
11	D01-2494	Nipple, 1 1/2 in. X 50 in. SCH 40 Black
12	GT3-0361	Clamp, KORN RA 1-1/2 in.
13	HH-7069	Nipple, 1 1/2 in. X 28 in. SCH 40 Black
14	GT3-5404	Elbow, 1 1/2 in. 45 deg SCH 40 Black
15	D08-0001	Nipple, 1 1/2 in. X 6 in. SCH 40 Black
16	D08-0009	Nipple, 1 1/2 in. CLOSE SCH 40 Black
17	GT1-5402-8	Nipple, 1 1/2 in. X 8-1/4 in. SCH 40 Black
18	D38-0001	Tee, 1 1/2 in. X 1 1/2 in. X 1 in. SCH 40 Black
19	D08-0007	Bushing, Reducer 1 1/2 in. X 1 in. Hex SCH 40 Black
20	THH-4037	Nipple, 1 in. X 2 1/2 in. SCH 40 Black
21	TFC-0093	Valve, 1 in. NPT Bronze Ball -CGA- B&K #110-525 CGA Approved
22	406-1463-8-4	Pipe, Orifice 1 X 4
23	406-1465-3	Orifice 0.625 X 3/4 NPT
24	007-1105-1	Union, Female 1 in. SCH 40
25	D01-2451	Nipple, 1 in. X 3.5 in. SCH 40 Black
26	THH-4152	Tee, 1 in. X 1 in. X 1/4 in. SCH 40 Black
27	D03-0867	Gauge, PSI 0-15 Dual Scale 0-100kPa Liquid Filled
28	THH-4116	Nipple, 1 in. X 6 in. SCH 40 Black
29	056-2230-3	Valve, Solenoid 1NPT 115V DIN W/Bypass 30 PSI Max ASCO Rebuild Kit
30	THH-4151	Nipple, 1 in. X 3 in. SCH 40 Black
31	TF-1536	Valve, 1-1/2 in. NPT Solenoid
32	D08-0021	Nipple, 1 1/2 in. X 4 in. SCH 40 Black
33	D08-0013	Nipple, 1 1/2 X 3 in. SCH 40 Black
34	TF-1710	Tee, 1-1/2 X 1-1/2 X 1/4 SCH 40 Black
35	HH-2984	Gauge, Pressure 0-30# LP Liquid Filled - 1/4 in. NPT Threads
36	D08-0015	Strainer, 1 1/2 in. Y SCH 80 Black, W/Plug
37	GT1-5403	Bracket, Pipe Support
38	S-9065	Flange Bolt, 3/8-16 X 1 Zinc Grade 5
39	S-456	Nut, Hex X 3/8-16 YDP Grade 5

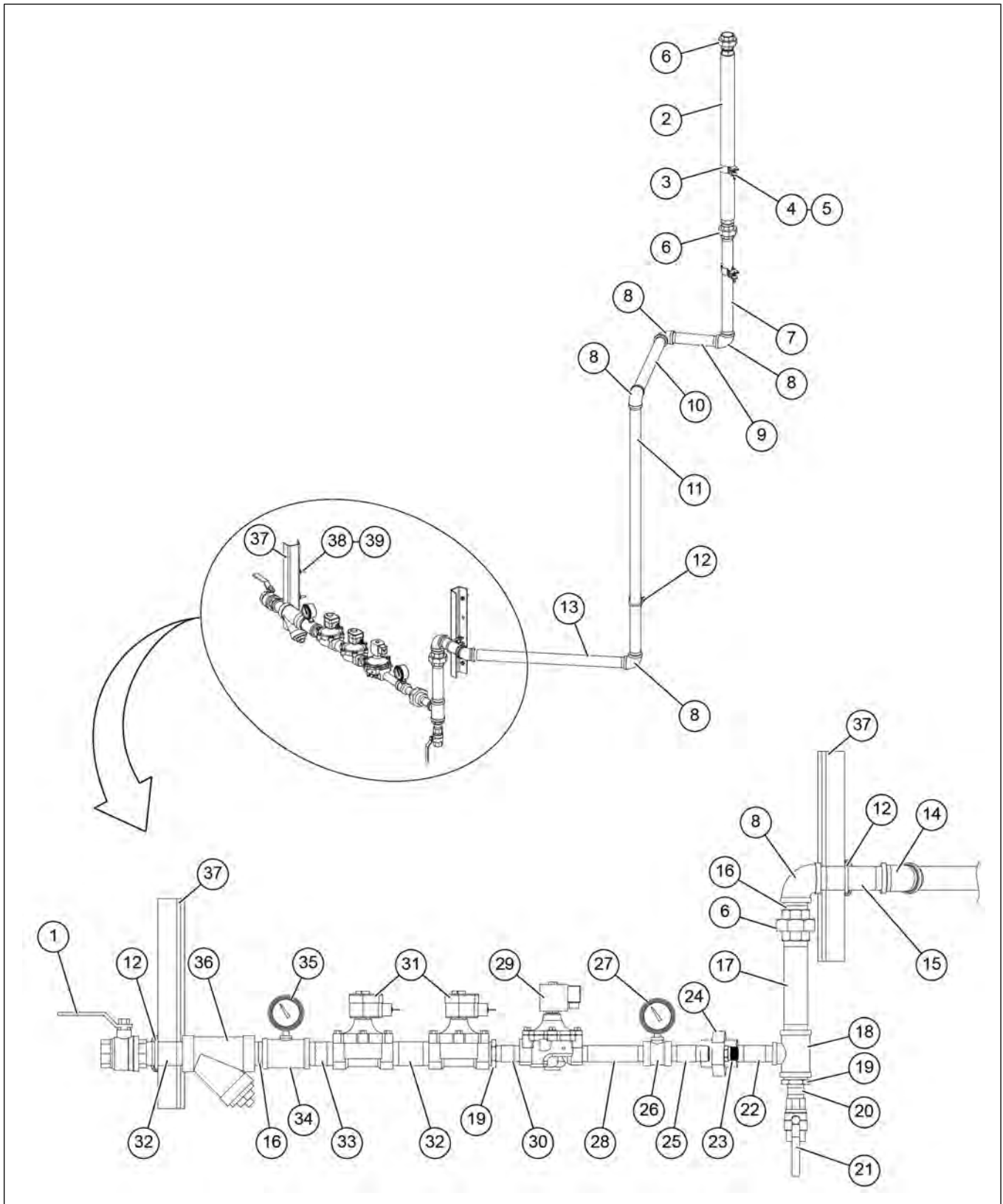
Figure 5-36 1008 Pipetrain – NG, Modulating Valve (GT4-7154)



Chapter 5: Burner Blower Section

Item	Part Number	Description
1	D08-0008	Valve, 1 1/2 in. NPT B-Cock Shutoff Brass or Bronze
2	D68-0019	Hose, 1.1/2 in. X 36 in. Gas
3	S-6643	Hanger, Conduit 1 1/2
4	GT3-0241	Clamp, Beam 1/2 in.
5	S-1101	Bolt, HHCS 1/4-20 X 1/2 Zinc/Clear Grade 2
6	D08-0010	Union, 1 1/2 in. Female SCH 40 Black
7	GT1-5402-20	Nipple, 1 1/2 in. X 20 in. SCH 40 Black
8	D08-0011	Elbow, 1 1/2 in. -90 SCH 40 Black
9	HH-7067	Nipple, 1 1/2 in. X 9 in. SCH 40 Black
10	D01-0764	Nipple, 1 1/2 in. X 22 in. SCH 40 Black
11	D01-2494	Nipple, 1 1/2 in. X 50 in. SCH 40 Black
12	GT3-0361	Clamp, KORN RA 1-1/2 in.
13	GT1-5402-26	Pipe Tube 1 1/2 X 26 SCH 40 Black
14	GT3-5404	Elbow, 1 1/2 in. 45 deg SCH 40 Black
15	D08-0001	Nipple, 1 1/2 in. X 6 in. SCH 40 Black
16	D08-0009	Nipple, 1 1/2 in. Close SCH 40 Black
17	GT1-5402-8	Nipple, 1 1/2 in. X 8-1/4 in. SCH 40 Black
18	D38-0001	Tee, 1 1/2 in. X 1 1/2 in. X 1 in. SCH 40 Black
19	D08-0007	Bushing, Reducer 1 1/2 in. X 1 in. Hex X SCH 40
20	THH-4037	Nipple, 1 in. X 2 1/2 in. SCH 40 Black
21	TFC-0093	Valve, 1 in. NPT Bronze Ball -CGA- B&K #110-525 CGA Approved
22	406-1463-8-4	Pipe, Orifice 1 X 4
23	406-1465-3	Orifice 0.625 X 3/4 NPT
24	007-1105-1	Union, Female 1 in. SCH 40
25	007-1770-2	Nipple, 1 in. X 4 in. SCH 40 Black
26	THH-4152	Tee, 1 in. X 1 in. X 1/4 in. SCH 40 Black
27	D03-0867	Gauge, PSI 0-15 Dual Scale 0-100kPa Liquid Filled
28	D03-0799	Reducer, Female, 1-1/2 in. NPT To 1 in. NPT, Black Malleable, SCH 40
29	GT3-0515-15	Valve, Maxon V51E Butterfly
30	007-1242-2	Nipple, 1 in. X 2 in. SCH 40 Black
31	TF-1536	Valve, 1-1/2 in. NPT Solenoid
32	D08-0021	Nipple, 1 1/2 in. X 4 in. SCH 40 Black
33	D08-0013	Nipple, 1 1/2 X 3 in. SCH 40 Black
34	TF-1710	Tee, 1-1/2 X 1-1/2 X 1/4 SCH 40 Black
35	HH-2984	Gauge, Pressure 0-30# LP Liquid Filled - 1/4 in. NPT Threads
36	D08-0015	Strainer, 1 1/2 in. Y SCH 80 Black, W/Plug
37	GT1-5403	Bracket, Pipe Support
38	S-9065	Flange Bolt, 3/8-16 X 1 Zinc Grade 5
39	S-456	Nut, Hex X 3/8-16 YDP Grade 5

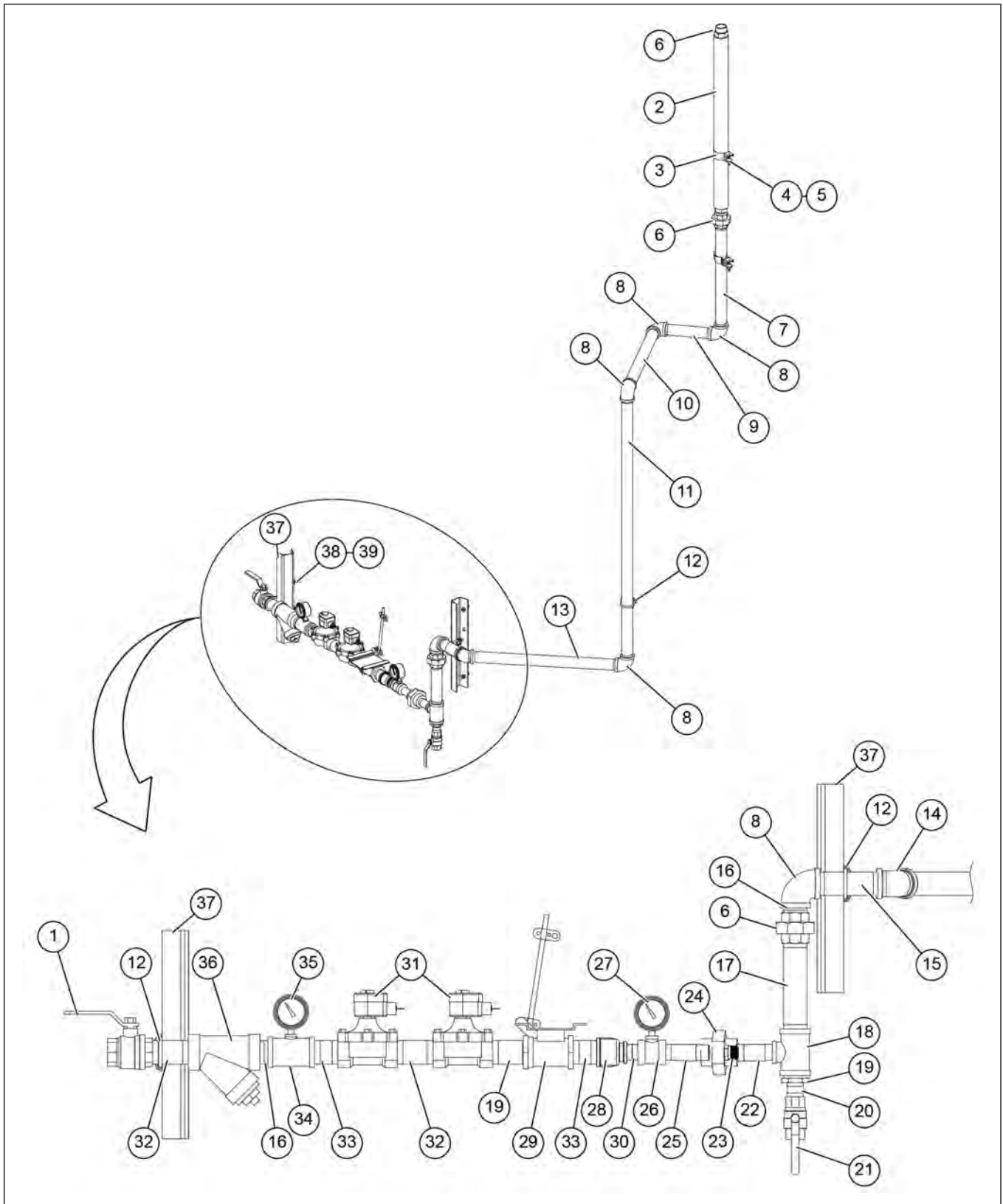
Figure 5-37 1010/1012 Pipetrain – NG (GT4-7047)



Chapter 5: Burner Blower Section

Item	Part Number	Description
1	D08-0008	Valve, 1 1/2 in. NPT B-Cock Shutoff Brass or Bronze
2	D68-0019	Hose, 1.1/2 in. X 36 in. Gas
3	S-6643	Hanger, Conduit 1 1/2
4	GT3-0241	Clamp, Beam 1/2 in.
5	S-1101	Bolt, HHCS 1/4-20 X 1/2 Zinc/Clear Grade 2
6	D08-0010	Union, 1 1/2 in. Female SCH 40 Black
7	GT1-5402-20	Nipple, 1 1/2 in. X 20 in. SCH 40 Black
8	D08-0011	Elbow, 1 1/2 in. -90 SCH 40 Black
9	HH-7067	Nipple, 1 1/2 in. X 9 in. SCH 40 Black
10	D01-0764	Nipple, 1 1/2 in. X 22 in. SCH 40 Black
11	D01-2494	Nipple, 1 1/2 in. X 50 in. SCH 40 Black
12	GT3-0361	Clamp, KORN RA 1-1/2 in.
13	GT1-5402-26	Pipe Tube 1 1/2 X 26 SCH 40 Black
14	GT3-5404	Elbow, 1 1/2 in. 45 deg SCH 40 Black
15	D08-0001	Nipple, 1 1/2 in. X 6 in. SCH 40 Black
16	D08-0009	Nipple, 1 1/2 in. CLOSE SCH 40 Black
17	GT1-5402-8	Nipple, 1 1/2 in. X 8-1/4 in. SCH 40 Black
18	D38-0001	Tee, 1 1/2 in. X 1 1/2 in. X 1 in. SCH 40 Black
19	D08-0007	Bushing, Reducer 1 1/2 in. X 1 in. Hex SCH 40 Black
20	THH-4037	Nipple, 1 in. X 2 1/2 in. SCH 40 Black
21	TFC-0093	Valve, 1 in. NPT Bronze Ball -CGA- B&K #110-525 CGA Approved
22	406-1463-8-4	Pipe, Orifice 1 X 4
23	406-2109-6	Orifice 0.688 X 3/4 NPT
24	007-1105-1	Union, Female 1 in. SCH 40
25	D01-2451	Nipple, 1 in. x 3.5 in. SCH 40 Black
26	THH-4152	Tee, 1 in. X 1 in. X 1/4 in. SCH 40 Black
27	D03-0867	Gauge, PSI 0-15 Dual Scale 0-100kPa Liquid Filled
28	THH-4116	Reducer, Female, 1-1/2 in. NPT To 1 in. NPT, Black Malleable, SCH 40
29	056-2230-3	Valve, Solenoid 1NPT 115V DIN W/Bypass
30	THH-4151	Nipple, 1 in. X 3 in. SCH 40 Black
31	TF-1536	Valve, 1-1/2 in. NPT Solenoid
32	D08-0021	Nipple, 1 1/2 in. X 4 in. SCH 40 Black
33	D08-0013	Nipple, 1 1/2 X 3 in. SCH 40 Black
34	TF-1710	Tee, 1-1/2 X 1-1/2 X 1/4 SCH 40 Black
35	HH-2984	Gauge, Pressure 0-30# LP Liquid Filled - 1/4 in. NPT Threads
36	D08-0015	Strainer, 1 1/2 in. Y SCH 80 Black, W/Plug
37	GT1-5403	Bracket, Pipe Support
38	S-9065	Flange Bolt, 3/8-16 X 1 Zinc Grade 5
39	S-456	Nut, Hex X 3/8-16 YDP Grade 5

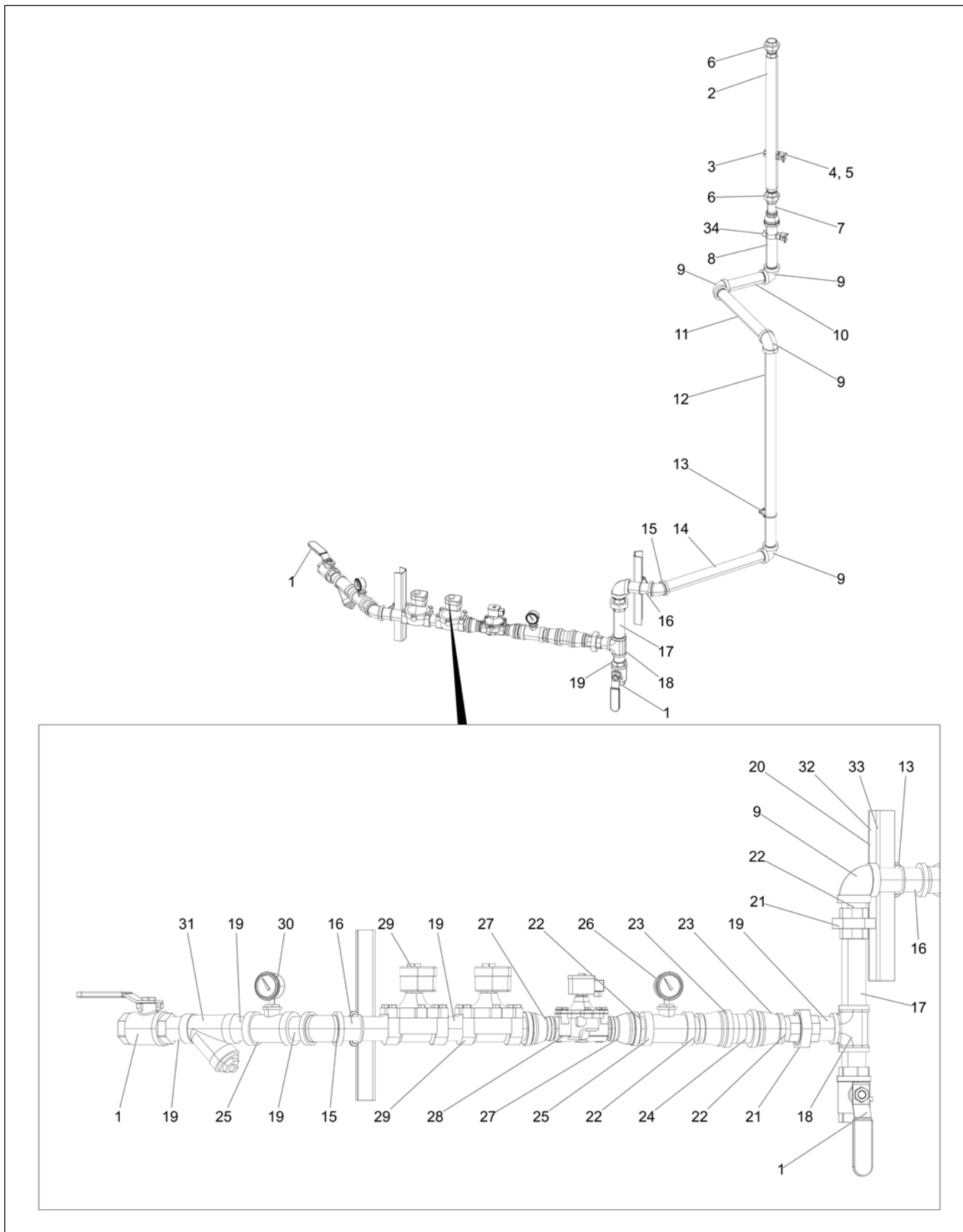
Figure 5-38 1010/1012 Pipetrain – NG, Modulating Valve (GT4-7053)



Chapter 5: Burner Blower Section

Item	Part Number	Description
1	D08-0008	Valve, 1 1/2 in. NPT B-Cock Shutoff Brass or Bronze
2	D68-0019	Hose, 1.1/2 in. X 36 in. Gas
3	S-6643	Hanger, Conduit 1 1/2
4	GT3-0241	Clamp, Beam 1/2 in.
5	S-1101	Bolt, HHCS 1/4-20 X 1/2 Zinc/Clear Grade 2
6	D08-0010	Union, 1 1/2 in. Female SCH 40 Black
7	GT1-5402-20	Nipple, 1 1/2 in. X 20 in. SCH 40 Black
8	D08-0011	Elbow, 1 1/2 in. -90 SCH 40 Black
9	HH-7067	Nipple, 1 1/2 in. X 9 in. SCH 40 Black
10	D01-0764	Nipple, 1 1/2 in. X 22 in. SCH 40 Black
11	D01-2494	Nipple, 1 1/2 in. X 50 in. SCH 40 Black
12	GT3-0361	Clamp, KORN RA 1-1/2 in.
13	GT1-5402-26	Pipe Tube 1 1/2 X 26 SCH 40 Black
14	GT3-5404	Elbow, 1 1/2 in. 45 deg SCH 40 Black
15	D08-0001	Nipple, 1 1/2 in. x 6 in. SCH 40 Black
16	D08-0009	Nipple, 1 1/2 in. Close SCH 40 Black
17	GT1-5402-8	Nipple, 1 1/2 in. X 8-1/4 in. SCH 40 Black
18	D38-0001	Tee, 1 1/2 in. X 1 1/2 in. X 1 in. SCH 40 Black
19	D08-0007	Bushing, Reducer 1 1/2 in. X 1 in. Hex SCH 40 Black
20	THH-4037	Nipple, 1 in. X 2 1/2 in. SCH 40 Black
21	TFC-0093	Valve, 1 in. NPT Bronze Ball -CGA- B&K #110-525 CGA Approved
22	406-1463-8-4	Pipe, Orifice 1 X 4
23	406-2109-6	Orifice 0.688 X 3/4 NPT
24	007-1105-1	Union, Female 1 in. SCH 40
25	007-1770-2	Nipple, 1 in. X 4 in. SCH 40 Black
26	THH-4152	Tee, 1 in. X 1 in. X 1/4 in. SCH 40 Black
27	D03-0867	Gauge, PSI 0-15 Dual Scale 0-100kPa Liquid Filled
28	D03-0799	Reducer, Female, 1-1/2 in. NPT To 1 in. NPT, Black Malleable, SCH 40
29	GT3-0515-15	Valve, Maxon V51E Butterfly
30	007-1242-2	Nipple, 1 in. X 2 in. SCH 40 Black
31	TF-1536	Valve, 1-1/2 in. NPT Solenoid
32	D08-0021	Nipple, 1 1/2 in. X 4 in. SCH 40 Black
33	D08-0013	Nipple, 1 1/2 X 3 in. SCH 40 Black
34	TF-1710	Tee, 1-1/2 X 1-1/2 X 1/4 SCH 40 Black
35	HH-2984	Gauge, Pressure 0-30# LP Liquid Filled - 1/4" NPT Threads
36	D08-0015	Strainer, 1 1/2 in. Y SCH 80 Black, W/Plug
37	GT1-5403	Bracket, Pipe Support
38	S-9065	Flange Bolt, 3/8-16 x 1 Zinc Grade 5
39	S-456	Nut, Hex X 3/8-16 YDP Grade 5

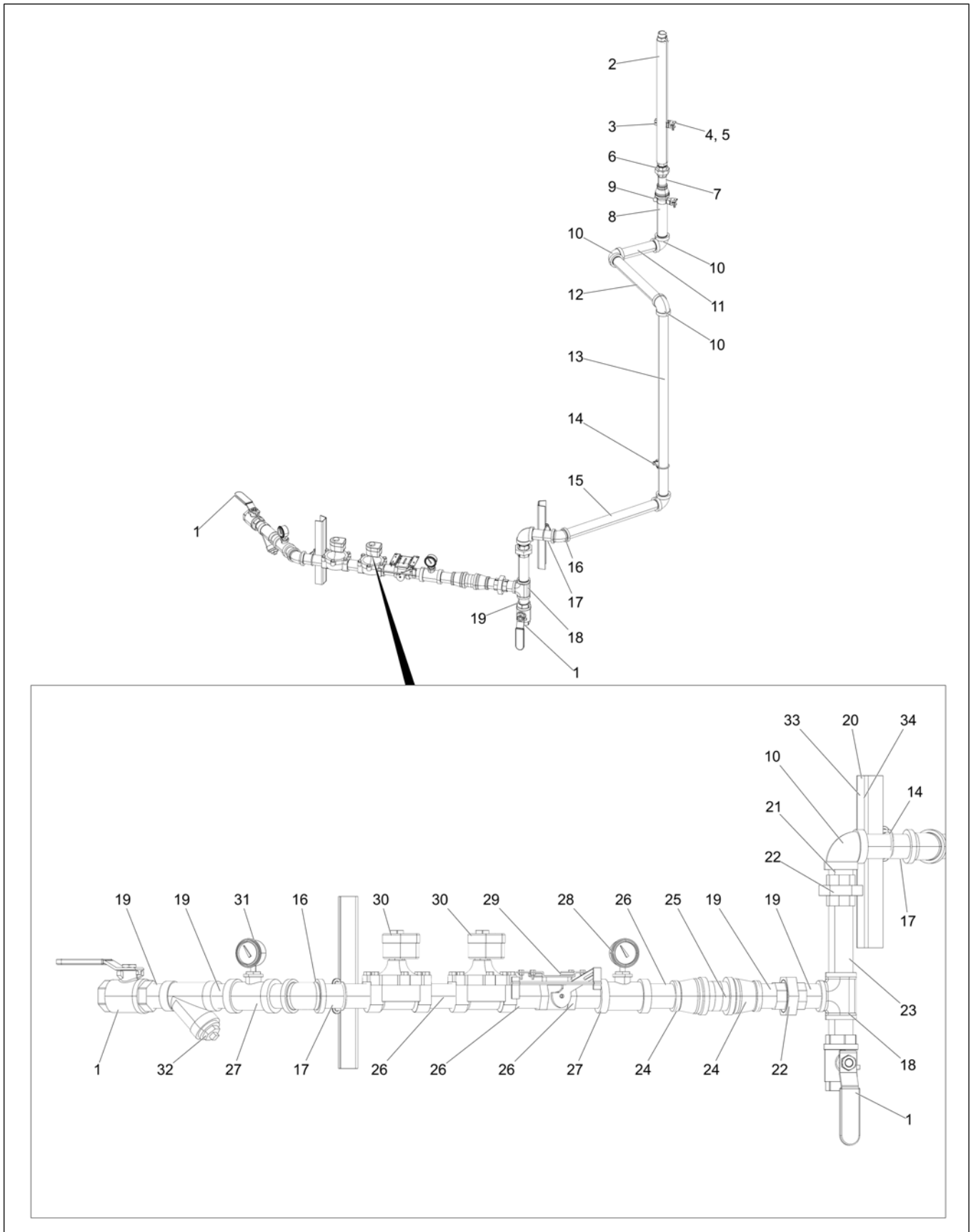
Figure 5-39 1015 Pipetrain – NG (GT4-7059)



Chapter 5: Burner Blower Section

Item	Part Number	Description
1	GT3-0014	Valve, Apollo 2 in.
2	D68-0019	Hose, Flex 1.5 in. X 36 in. LP/NG
3	S-6643	Hanger, Conduit, 1 1/2
4	GT3-0241	Clamp, Beam 1/2 in.
5	S-1101	Bolt, HHCS 1/4-20 X 1/2 Zinc/Clear Grade 2
6	D08-0010	Union, 1 1/2 in. Female SCH 40 Black
7	D08-0021	Nipple, 1-1/2 in. X 4 in. SCH 40 Black
8	GT3-0117	Nipple, 2 X 12 in. SCH 40 Black
9	GT3-0113	Elbow, 2 in. 90 deg. SCH 40 Black PB
10	707-1215-3	Nipple, 2 X 10 in. SCH 40 Black
11	D01-3096	Nipple, 2 in. X 22 in. SCH 40 Black
12	007-1509-4	Pipe Tube 2 X 49-1/2 SCH 40
13	GT3-0344	Clamp, Korn RA 2 in. #RC-2
14	007-1765-2	Pipe Tube 2 X 26-1/4 SCH 40
15	GT3-0114	Elbow, 2 in. 45 deg. SCH 40 Black
16	GT3-0020	Nipple, 2 X 6 in. SCH 40 Black
17	007-1469-1	Nipple, 2 X 8 in. SCH 40 Black
18	GT3-0025	Tee, 2 in. SCH 40 Black
19	D03-0441	Nipple, 2 in. X 3 in. SCH 40 Black
20	GT1-5403	Bracket, Pipe Support
21	GT3-0032	Union, 2 in. SCH 40 Black
22	GT3-0018	Nipple, 2 X Close SCH 40 Black
23	707-1232-8	Reducer, Bell 2-1/2 X 2 in Black
24	410-2059-5	Orifice Weldment 0.8125
25	D03-0443	Tee, 2 in. X 2 in. X 1 in. SCH 40 Black
26	D03-0867	Gauge, PSI 0-15 Dual Scale 0-100 KPA GLV Filled
27	S-8507	Pipe Reducer Bell 2 X 1 1/2 Black
28	GT3-1127	Valve, Solenoid 1-1/2 in. NPT 115Y Din Bypass
29	TF-1721	Valve, 2 in. NPT Gaseous Solenoid
30	HH-2984	Gauge, Pressure 0-30# LP Liquid
31	GT3-0013	Strainer, 2 in. Y #11
32	S-9065	Bolt, Flange 3/8-16 X 1 Zinc/Clear Grade 5
33	S-456	Nut, Hex 3/8-16 YDP Grade 5
34	TF-1824	Hanger, Conduit 2 in.
NS	DC-1191	Tag, Open Drain Valve
NS	D08-0009	Nipple, 1 1/2 in. Close SCH 40 Black
NS	D03-1183	Cord, 72 in. Canfield 5J Series ISO Ding Connector with 12 in. of Jacke
NS	FH-1310	Connector, Cord Heyco #3231 Replaces: 006-1235-8
NS	THH-4001	Bushing, Reducer 1 in. X1/4 in. Hex S40 Black

Figure 5-40 1015 Pipetrain – NG, Modulating Valve (GT4-7157)



Chapter 5: Burner Blower Section

Item	Part Number	Description
1	GT3-0014	Valve, Apollo 2 in.
2	D68-0019	Hose, Flex 1.5 in. X 36 in. LP/NG
3	S-6643	Hanger, Conduit, 1 1/2
4	GT3-0241	Clamp, Beam 1/2 in.
5	S-1101	Bolt, HHCS 1/4-20 X 1/2 Zinc/Clear Grade 2
6	D08-0010	Union, 1 1/2 in. Female SCH 40 Black
7	D08-0021	Nipple, 1-1/2 in. X 4 in. SCH 40 Black
8	GT3-0117	Nipple, 2 X 12 in. SCH 40 Black
9	TF-1824	Hanger, Conduit 2 in.
10	GT3-0113	Elbow, 2 in. 90 deg. SCH 40 Black PB
11	707-1215-3	Nipple, 2 X 10 in. SCH 40 Black
12	D01-3096	Nipple, 2 in. X 22 in. SCH 40 Black
13	007-1509-4	Pipe Tube 2 X 49-1/2 SCH 40
14	GT3-0344	Clamp, Korn RA 2 in. #RC-2
15	007-1765-2	Pipe Tube 2 X 26-1/4 SCH 40
16	GT3-0114	Elbow, 2 in. 45 deg. SCH 40 Black
17	GT3-0020	Nipple, 2 X 6 in. SCH 40 Black
18	GT3-0025	Tee, 2 in. SCH 40 Black
19	D03-0441	Nipple, 2 in X 3 in. SCH 40 Black
20	GT1-5403	Bracket, Pipe Support
21	GT3-0018	Nipple, 2 X Close SCH 40 Black
22	GT3-0032	Union, 2 in. SCH 40 Black
23	007-1469-1	Nipple, 2 X 8 in. SCH 40 Black
24	707-1232-8	Reducer, Bell 2-1/2 X 2 in Black
25	410-2059-5	Orifice Weldment 0.8125
26	GT3-0019	Nipple, 2 X 4 in. SCH 40 Black
27	D03-0443	Tee, 2 in. X 2 in. X 1 in. SCH 40 Black
28	D03-0867	Gauge, PSI 0-15 Dual Scale 0-100 KPA GLV Filled
29	GT3-0515	Valve, Maxon V51E Butterfly
30	TF-1721	Valve, 2 in. NPT Gaseous Solenoid
31	HH-2984	Gauge, Pressure 0-30# LP Liquid
32	GT3-0013	Strainer, 2 in. Y #11
33	S-9065	Bolt, Flange 3/8-16 X 1 Zinc/Clear Grade 5
34	S-456	Nut, Hex 3/8-16 YDP Grade 5
NS	DC-1191	Tag, Open Drain Valve
NS	FH-1310	Connector, Cord Heyco #3231 Replaces: 006-1235-8
NS	THH-4001	Bushing, Reducer 1 in. X1/4 in. Hex S40 Black
NS	S-8507	Pipe Reducer Bell 2 X 1.1/2 Black

6 Unload Section

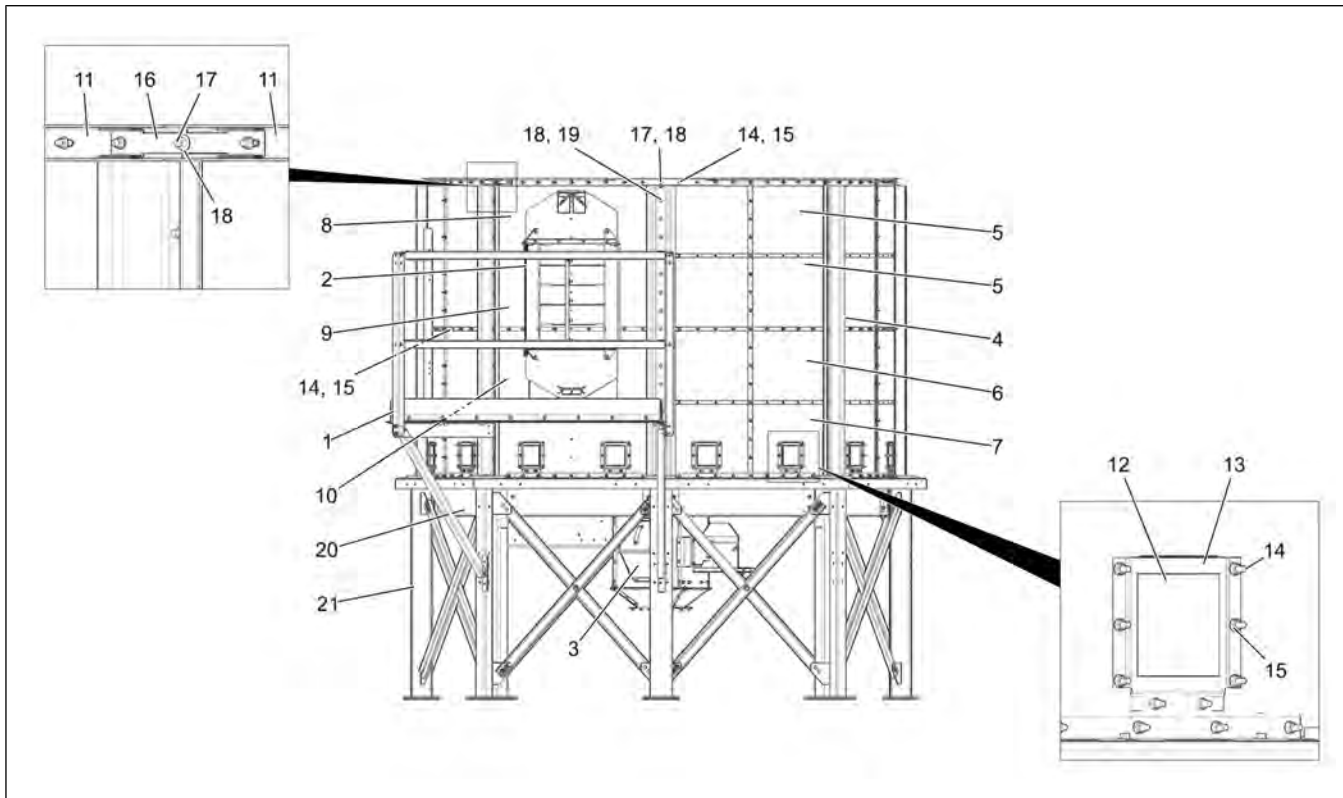
Topics Covered in this Chapter

- Unload Module
- Door Assembly
- Outside Platform
- Moisture Sensor Housing Assembly
- Moisture Sampler Blower
- Sweep

Unload Module

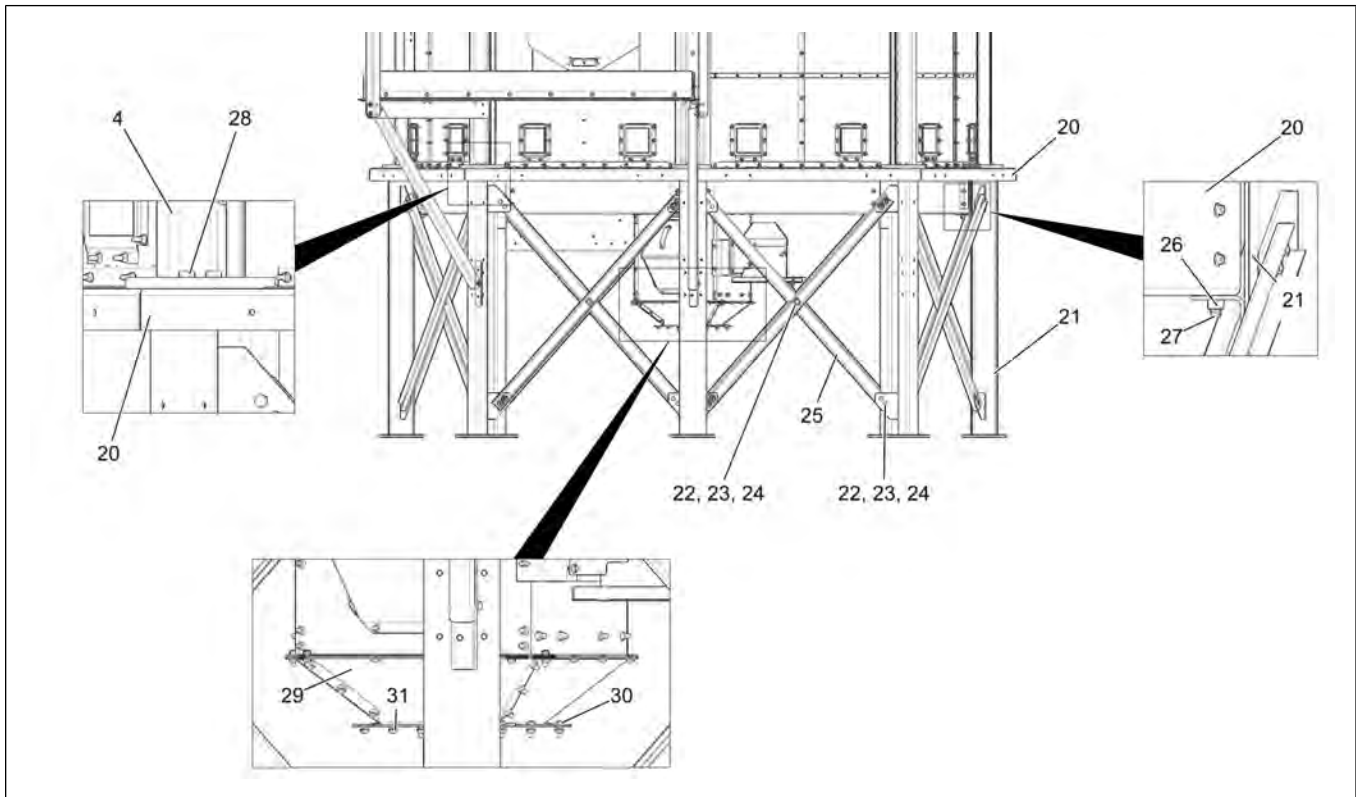
Flat Unload Section

Figure 6-1 Flat Unload Section (GT4-7003-AC)



Item	Part Number	Description
1	GT4-5007A	Complete Outside Platform (See Outside Platform, page 90)
2	GT4-7038	24 in. Window and Louvered Door Kit (See Door Assembly, page 88)
3	815-1935-7-M-MB	Moisture Sensor Housing (See Moisture Sensor Housing Assembly, page 91)
4	GT4-5038	Flat Unload Base Stiffener Weldment
5	GT1-5618	Sheet, Half Wall, 16 Channels - 0.078 in. Perforated
6	GT1-5627	Flat Unload Solid Half Sheet - Corrugated (SS)
7	GT1-5619	Flat Unload Solid Half Sheet W/ Cleanouts
8	GT1-5690	Outer Perforated SS Wall Sheet, 24 in. Opening, Top Cutout – Corrugated
9	GT1-5688	Outer Perforated SS Wall Sheet, 24 in. Opening, Middle Cutout – Corrugated
10	GT1-5704	Outer Solid SS Wall Sheet, 24 in. Opening, Bottom Cutout – Corrugated
11	GT1-5615	Outside Mounting Ring
12	GT1-0075	Plate, Discharge
13	GT1-0074	Port, Discharge
14	S-7447	Bolt, Flange 5/16-18 X 1 SS (Full Thread)
15	S-8452	Nut, Flange 5/16-18 SS Waxed (Must Be Waxed)
16	GT1-5629	Splice Plate, Outside Ring
17	S-7485	Bolt, Flange 3/8-16 X 1 YDP Grade 8 Or 8.2
18	S-968	Nut, Flange 3/8-16 Zinc Grade 5 Wide Flange
19	S-9066	Bolt, Flange 3/8-16 X 1-1/4 Zinc Grade 5

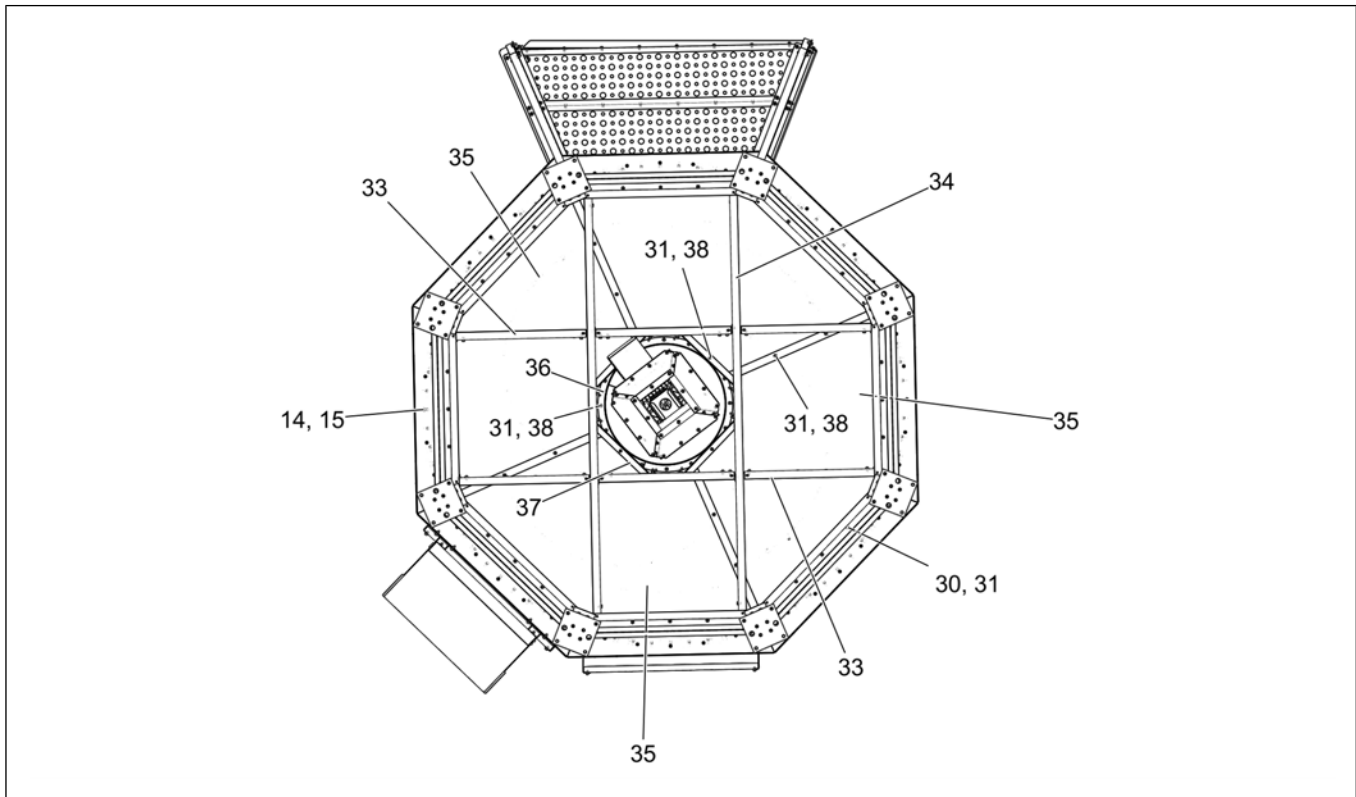
Figure 6-2 Flat Unload Section (GT4-7003-AC)



Item	Part Number	Description
4	GT1-5156	Flat Unload Base Stiffener
20	GT1-5040	Flat Unload Compression Channel
21	GT4-5037	Flat Unload Support Column Weldment
22	S-3729	Nut, Hex 1/2-13 YDP Grade 5
23	S-4492	Bolt, HHCS 1/2-13 X 1 YDP Grade 8 Or 8.2
24	S-2121	Washer, Flat 1/2 in. .562 X 1.375 X .10 .562 X 1.375 X .109 Type A Plated
25	GT1-5009	Leg X-Brace
26	S-4110	Nut, Hex 5/8-11 YDP Grade 5
27	S-4109	Bolt, HHTB 5/8-11 X 1-1/2 YDP Grade 8
28	S-4108	Bolt, HHCS 5/8-11 X 2-3/4 YDP Grade 8
29	GT4-5040	Hopper Adapter
30	S-7470	Bolt, Flange 5/16-18 X 1 Zinc Grade 5
31	S-10268	Nut, Flange 5/16-18 JS500 Grade 5
NS	GT1-5059	Modular: Compression Angle Splice
NS	GT1-1165	Clip, Grain Floor Support
NS	GT1-5049	Modular: Sealing Strip
NS	GT1-5056	Modular: Skirt, Flat Unload
NS	S-248	Washer, Flat 3/8 in. 7/16 in. ID 1 in. OD YDP

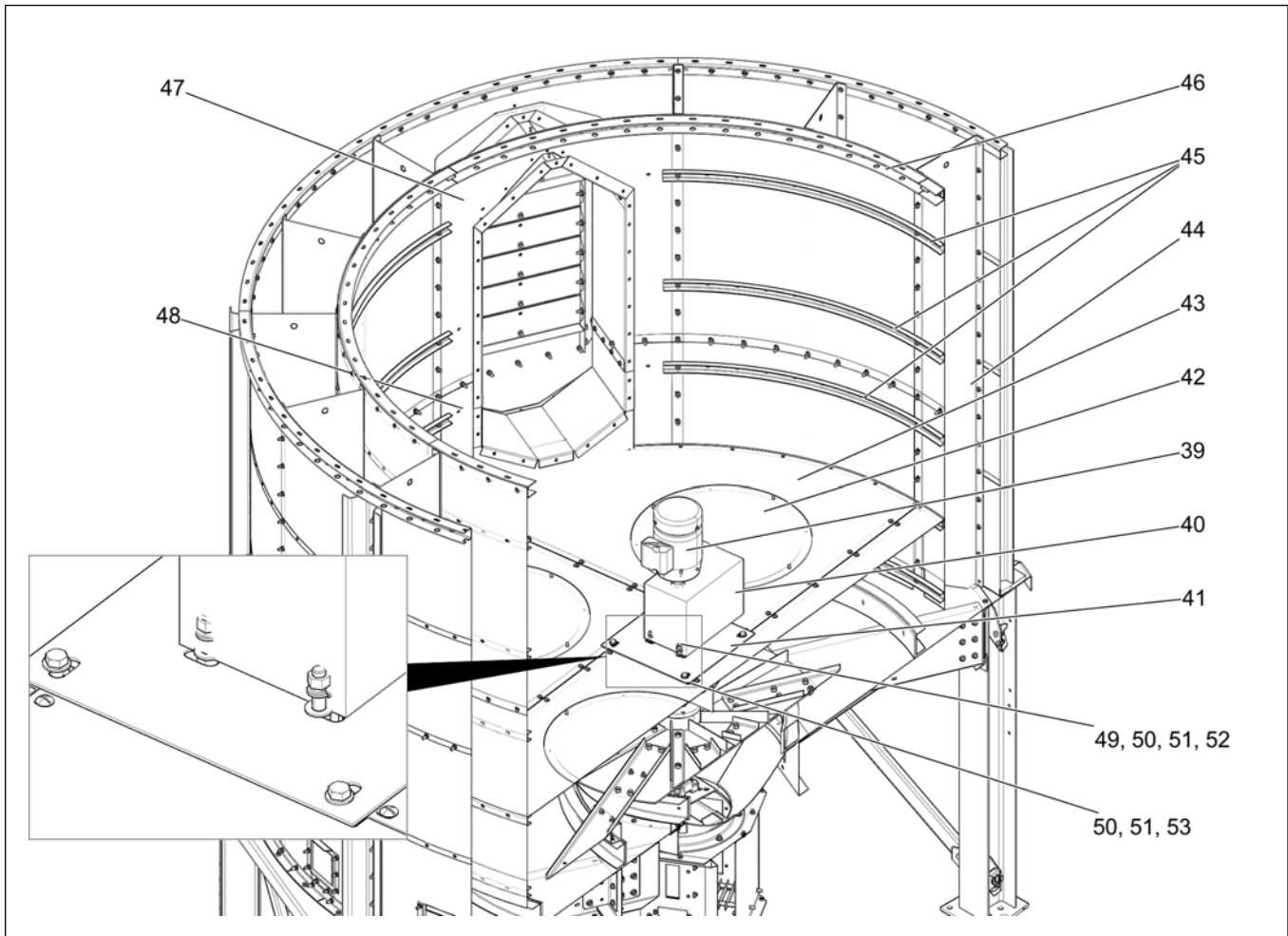
Chapter 6: Unload Section

Figure 6-3 Flat Unload Section (GT4-7003-AC) (Bottom View)



Item	Part Number	Description
14	S-7447	Bolt, Flange 5/16-18 X 1 SS (Full Thread)
15	S-8452	Nut, Flange 5/16-18 SS Waxed (Must Be Waxed)
30	S-7470	Bolt, Flange 5/16-18 X 1 Zinc Grade 5
31	S-10268	Nut, Flange 5/16-18 JS500 Grade 5
33	GT1-5042	Grain Floor Support-Short
34	GT1-5041	Grain Floor Support-Long
35	GT1-5043	Grain Floor Sheet
36	GT4-5036	Flat Unload Hopper
37	GT1-5054	Angled Grain Floor Support
38	S-4336	Screw, MS 5/16-18 X 1 THS Zinc
NS	CH-6873	Silicone, Cartridge Clear RTV DOW #737 Special Silicone Sealant
NS	GT1-5153	Modular: Plenum Channel Splice
NS	756-1026-1	Thermostat, Hi Limit Honeywell T675A 1102 160 TO 260 F
NS	S-10173	Nut, Push 5/16 Phosphate and Oil

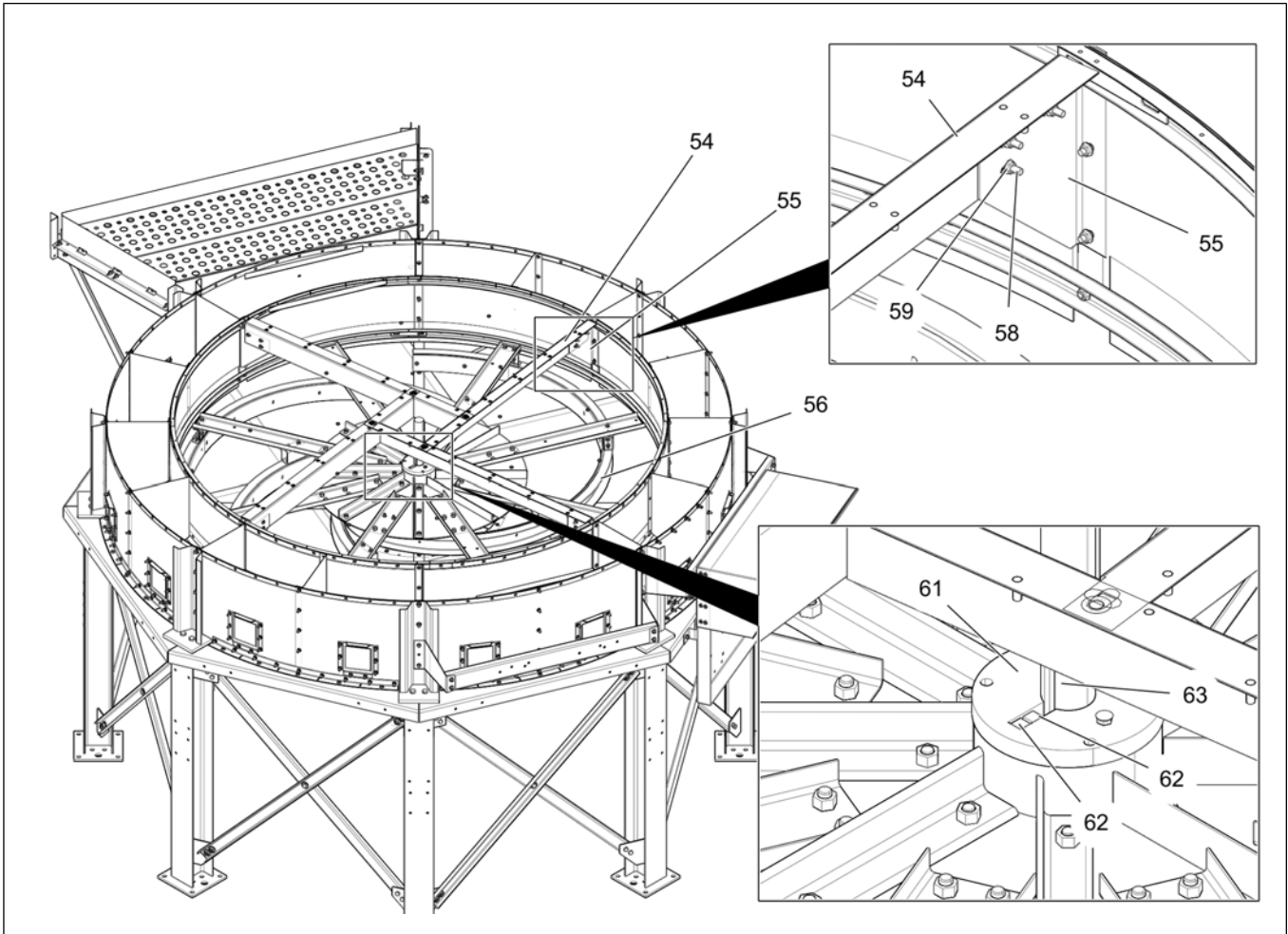
Figure 6-4 Flat Unload Section (GT4-7003-AC) (Section View)



Item	Part Number	Description
39	702-1069-5	Motor, 1HP 3PH 1725 @ 60HZ Super
40	GT3-1114	Gearbox, Sumitomo D612da 683:1 Reducer Model
41	GT1-5062	Gearbox Adjustment Plate
42	GT1-5065	Cooling Floor Access Door
43	GT1-5015W	Hopper Floor Sheets
44	GT1-5044	Vertical Base Channel Left
45	GT1-5005	Rolled Plenum Channel
46	GT1-5630	Inside Mounting Ring
47	GT1-5684	Inside Perforated Galv Wall Sheet, 24 in. Opening, Top Cutout
48	GT1-5683	Inside Perforated Galv Wall Sheet, 24 in. Opening, Bottom Cutout
49	S-8268	Bolt, HHCS 1/2-13 X 2 Zinc Grade 8
50	S-3729	Nut, Hex 1/2-13 YDP Grade 5
51	S-2120	Washer, Flat 1/2 SAE Zinc
52	S-236	Washer, Lock Split, 1/2 REG Zinc Plated
53	S-7935	Bolt, HHCS 1/2-13 X 1 Zinc Grade 5

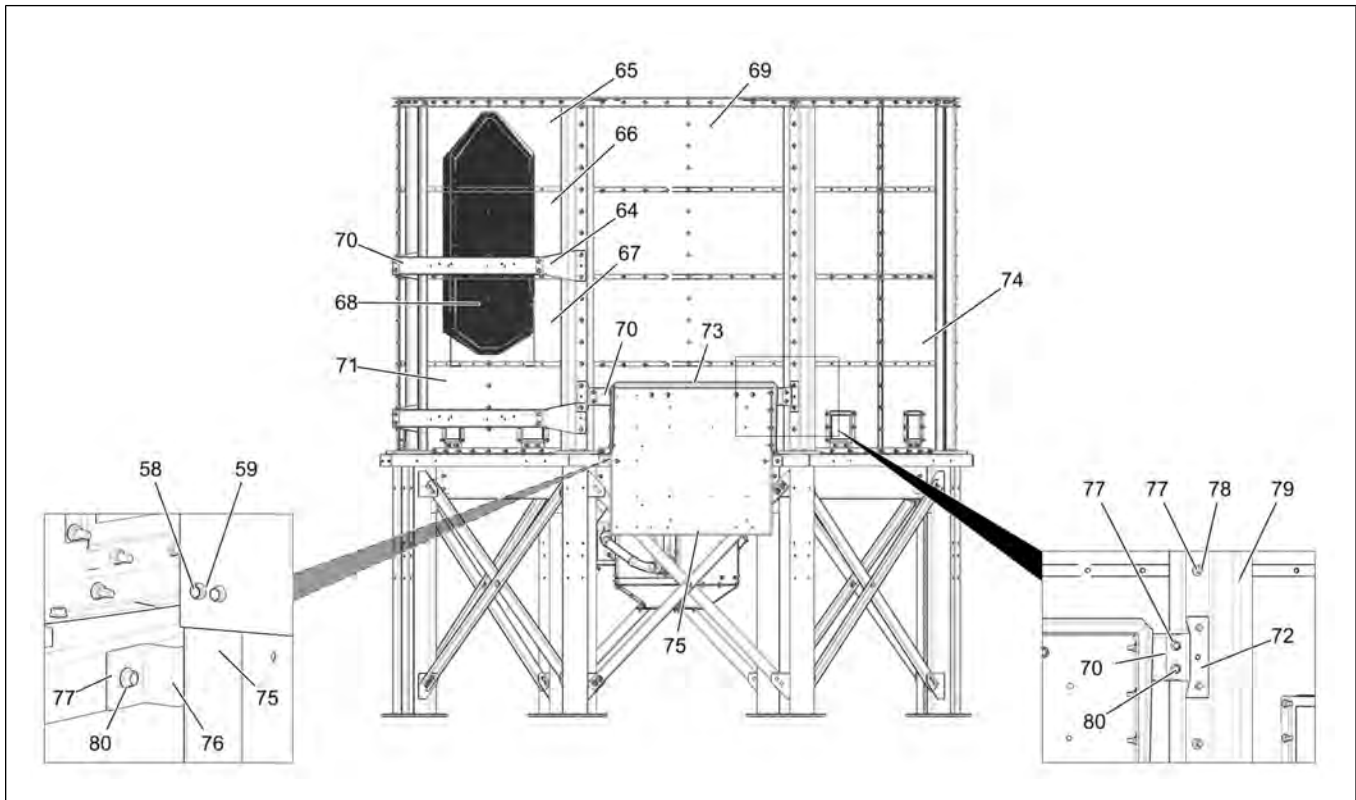
Chapter 6: Unload Section

Figure 6-5 Flat Unload Section (GT4-7003-AC) (Section View)



Item	Part Number	Description
54	GT1-5014	Hopper Floor Beam
55	GT1-5046	Hopper Floor Beam Wall Clip
56	GT4-5346	Sweep (CCW) (See Sweep, page 95)
57	S-7470	Bolt, Flange 5/16-18 X 1 Zinc Grade 5
58	S-10268	Nut, Flange 5/16-18 JS500 Grade 5
59	717-1428-1	Bushing, Split Taper, S1 X 1-15/16
60	717-1258-2	Key, 1/2 X 1/2 X 2-3/4
61	GT1-5060	1-15/16 Flat Unload Shaft
62	717-1258-2	Key, 1/2 X 1/2 X 2-3/4
63	GT1-5060	1-15/16 Flat Unload Shaft
NS	S-10175	Nut, Extruded U 3/8-16, Tapped Hole, 050-.200 Panel Range, Black
NS	S-280	Screw, SDS #10-16 X 5/8 HWH ZN

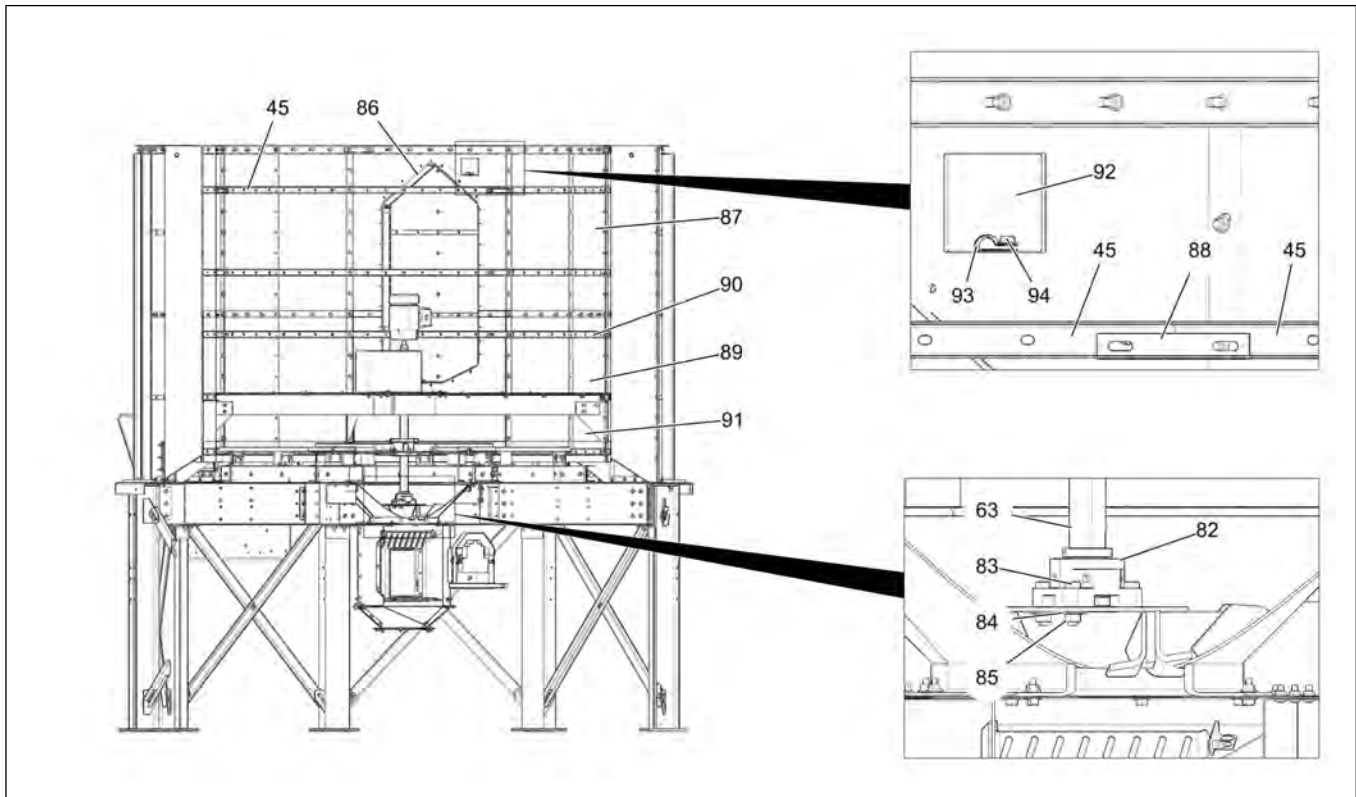
Figure 6-6 Flat Unload Section (GT4-7003-AC)



Item	Part Number	Description
64	401-4272-1	Bracket, Mounting - Control Box
65	GT1-5690	Outer Perforated SS Wall Sheet, 24 in. Opening, Top Cutout – Corrugated
66	GT1-5688	Outer Perforated SS Wall Sheet, 24 in. Opening, Middle Cutout – Corrugated
67	GT1-5704	Outer Solid SS Wall Sheet, 24 in. Opening, Bottom Cutout – Corrugated
68	GT1-5709	Screen, Unload Free Air Opening
69	GT1-5618	Sheet, Half Wall, 16 Channels - 0.078 in. Perforated
70	GT1-5159	Channel, Mounting-Control Box
71	GT1-5619	Flat Unload Solid Half Sheet W/Cleanouts
72	GT1-5126	Mounting Bracket, Control Box
73	GT1-0417	Hood, Control Box Rain
74	GT1-5627	Flat Unload Solid Half Sheet – Corrugated(SS)
75	GT1-0418	Panel, Control Box Mounting – Corrugated(SS)
76	GT1-5160	Bracket, Mounting - Vision Box
77	S-968	Nut, 3/8-16 Zinc/Clear Grade 5 Wide Flange
78	S-9066	Bolt, Flanged 3/8-16 X 1-1/4 Zinc Grade 5
79	GT4-5038	Flat, Unload Base Stiffener Weldment
80	S-9065	Bolt, Flanged 3/8-16 X 1 Zinc Grade 5

Chapter 6: Unload Section

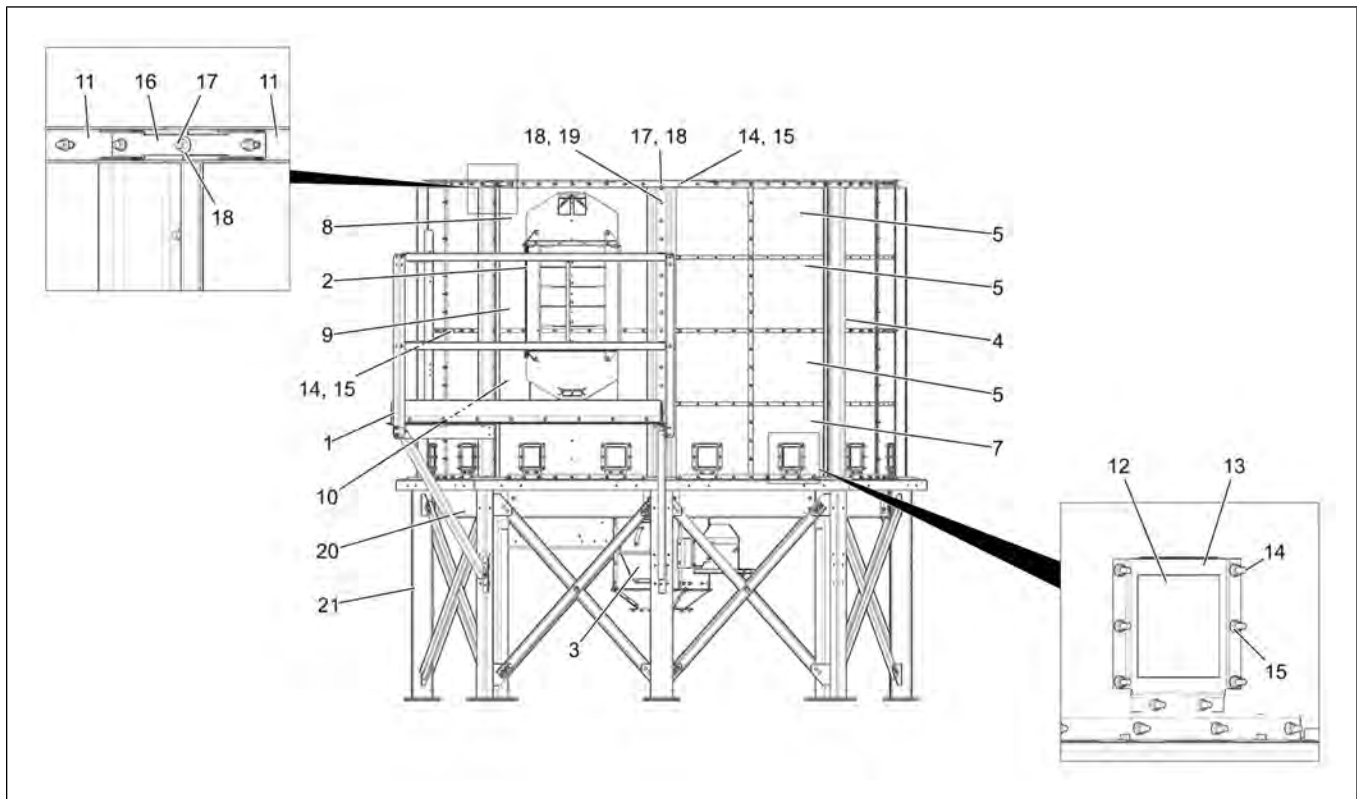
Figure 6-7 Flat Unload Section (GT4-7003-AC) (Section View)



Item	Part Number	Description
45	GT1-5005	Rolled Plenum Channel
63	GT1-5060	1-15/16 Flat Unload Shaft
82	717-1427-3	Bearing, RFB107 1-7/16
83	S-8268	Bolt, HHCS 1/2-13 X 2 in. Zinc Grade 8
84	S-2121	Washer, Flat 1/2 in. .562 X 1.375 X .10 .562 X 1.375 X .109 Type A Plated
85	S-3729	Nut, Hex 1/2-13 YDP Grade 5
86	GT1-5737	Window - Contoured Door Opening - 24 in.
87	GT1-5101	Sheet, Wall , Inside Dryer - 0.078 in. Perforation
88	GT1-5095	Inside Ring Splice
89	GT1-5067	Sheet, Half Wall, Inside Dryer - 0.078 in. Perforated, 16 GA G-16
90	GT1-5673	Rolled Plenum Channel (Short)
91	GT1-5066	1200/1500 Flat Unload 20 GA Galv Interior Solid Sheet
92	GT4-0148	Exhaust Hi-Limit - Single
93	GT3-0202	Clamp, Insulated (KMC#C0V 0711Z1)
94	S-8452	Nut, 5/16-18 SS Waxed (Must Be Waxed)
NS	GT3-1523	Lovejoy (L075), Coupler Jaw, 7/8 in. Bore (10692)
NS	GT4-7212	Modular: Moisture Sampler Blower Box of Parts

Flat Unload Section (1200/1500)

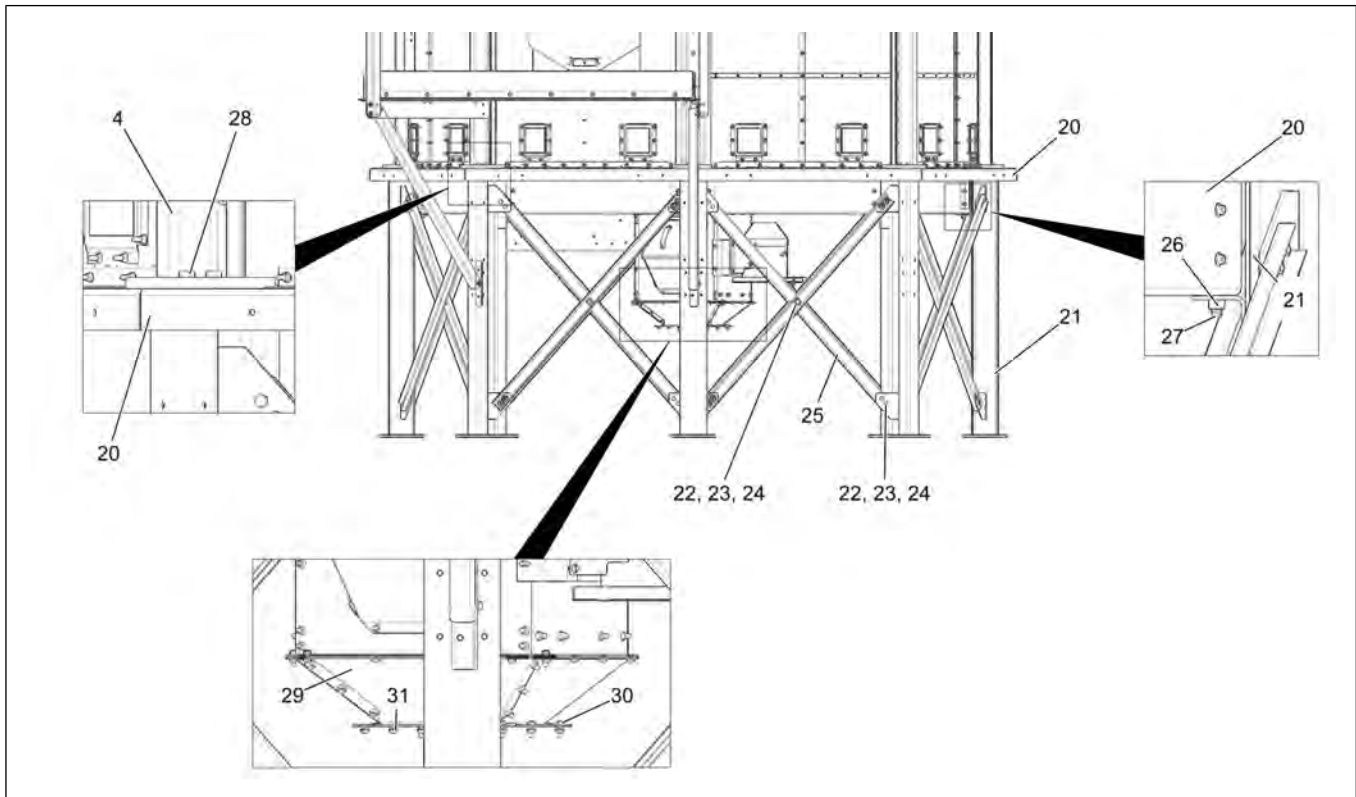
Figure 6-8 Flat Unload Section (GT4-7008-AC)



Item	Part Number	Description
1	GT4-5007A	Complete Outside Platform (See Outside Platform, page 90)
2	GT4-7038	24 in. Window and Louvered Door Kit (See Door Assembly, page 88)
3	815-1935-7-M-MB	Moisture Sensor Housing (See Moisture Sensor Housing Assembly, page 91)
4	GT4-5038	Flat Unload Base Stiffener
5	GT1-5618	Sheet, Half Wall, 16 Channels - 0.078 in. Perforated
7	GT1-5619	Flat Unload Solid Half Sheet W/ Cleanouts
8	GT1-5690	Outer Perforated SS Wall Sheet, 24 in. Opening, Top Cutout – Corrugated
9	GT1-5688	Outer Perforated SS Wall Sheet, 24 in. Opening, Middle Cutout – Corrugated
10	GT1-5686	Outer Perforated SS Wall Sheet, 24 in. Opening, Bottom Cutout – Corrugated
11	GT1-5615	Outside Mounting Ring
12	GT1-0075	Plate, Discharge
13	GT1-0074	Port, Discharge
14	S-7447	Bolt, Flange 5/16-18 X 1 SS (Full Thread)
15	S-8452	Nut, Flange 5/16-18 SS Waxed (Must Be Waxed)
16	GT1-5629	Splice Plate, Outside Ring
17	S-7485	Bolt, Flange 3/8-16 X 1 YDP Grade 8 or 8.2
18	S-968	Nut, Flange 3/8-16 Zinc Grade 5 Wide Flange
19	S-9066	Bolt, Flange 3/8-16 X 1-1/4 Zinc Grade 5

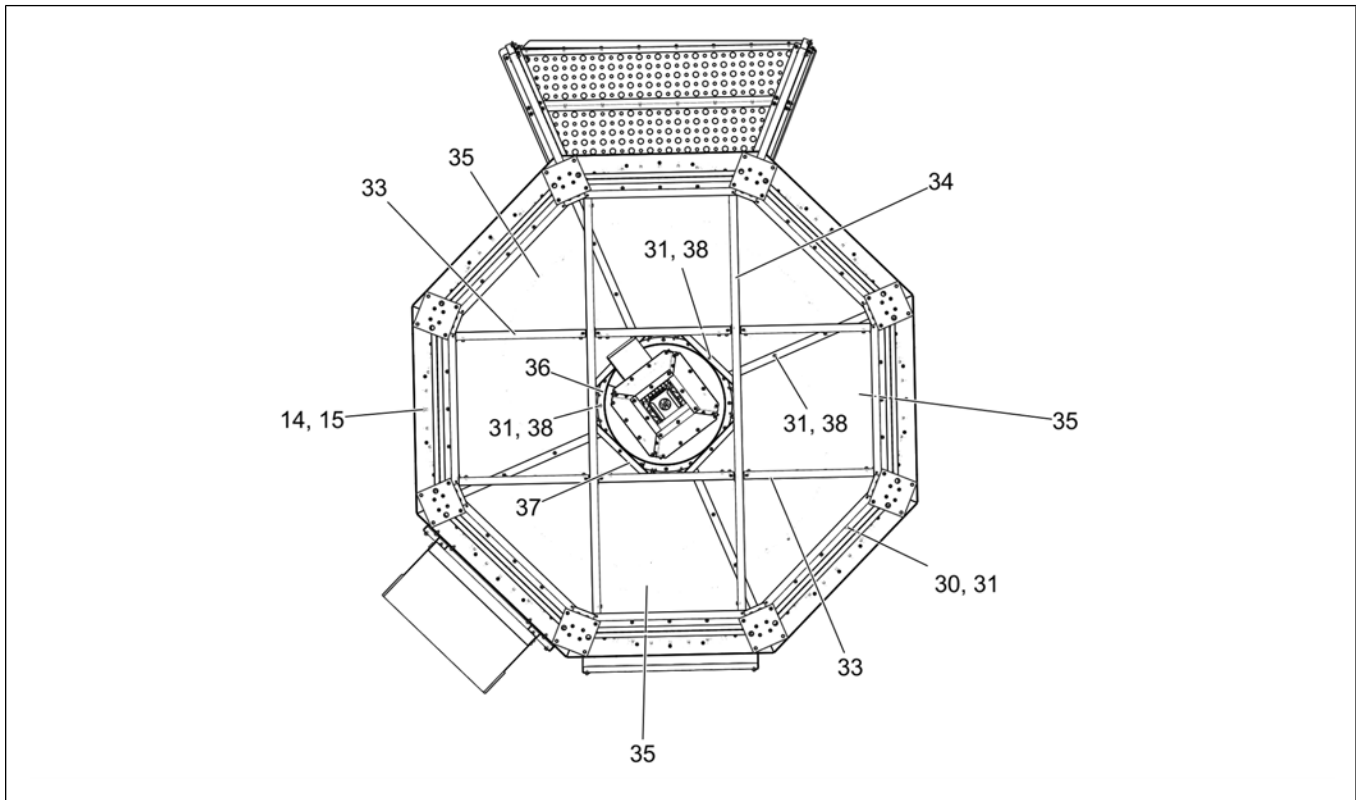
Chapter 6: Unload Section

Figure 6-9 Flat Unload Section (GT4-7008-AC)



Item	Part Number	Description
4	GT1-5156	Flat Unload Base Stiffener
20	GT1-5040	Flat Unload Compression Channel
21	GT4-5037	Flat Unload Support Column Weldment
22	S-3729	Nut, Hex 1/2-13 YDP Grade 5
23	S-4492	Bolt, HHCS 1/2-13 X 1 YDP Grade 8 or 8.2
24	S-2121	Washer, Flat 1/2 in. 562 X 1.375 X .10 .562 X 1.375 X .109 Type A Plated
25	GT1-5009	Leg X-Brace
26	S-4110	Nut, Hex 5/8-11 Zinc Grade 5
27	S-4109	Bolt, HHTB 5/8-11 X 1-1/2 YDP Grade 8
28	S-4108	Bolt, HHCS 5/8-11 X 2-3/4 YDP Grade 8
29	GT4-5040	Hopper Adapter
30	S-7470	Bolt, Flange 5/16-18 X 1 Zinc Grade 5
31	S-10268	Nut, Flange 5/16-18 JS500 Grade 5
NS	GT1-5059	Modular: Compression Angle Splice
NS	GT1-1165	Clip, Grain Floor Support
NS	GT1-5049	Modular: Sealing Strip

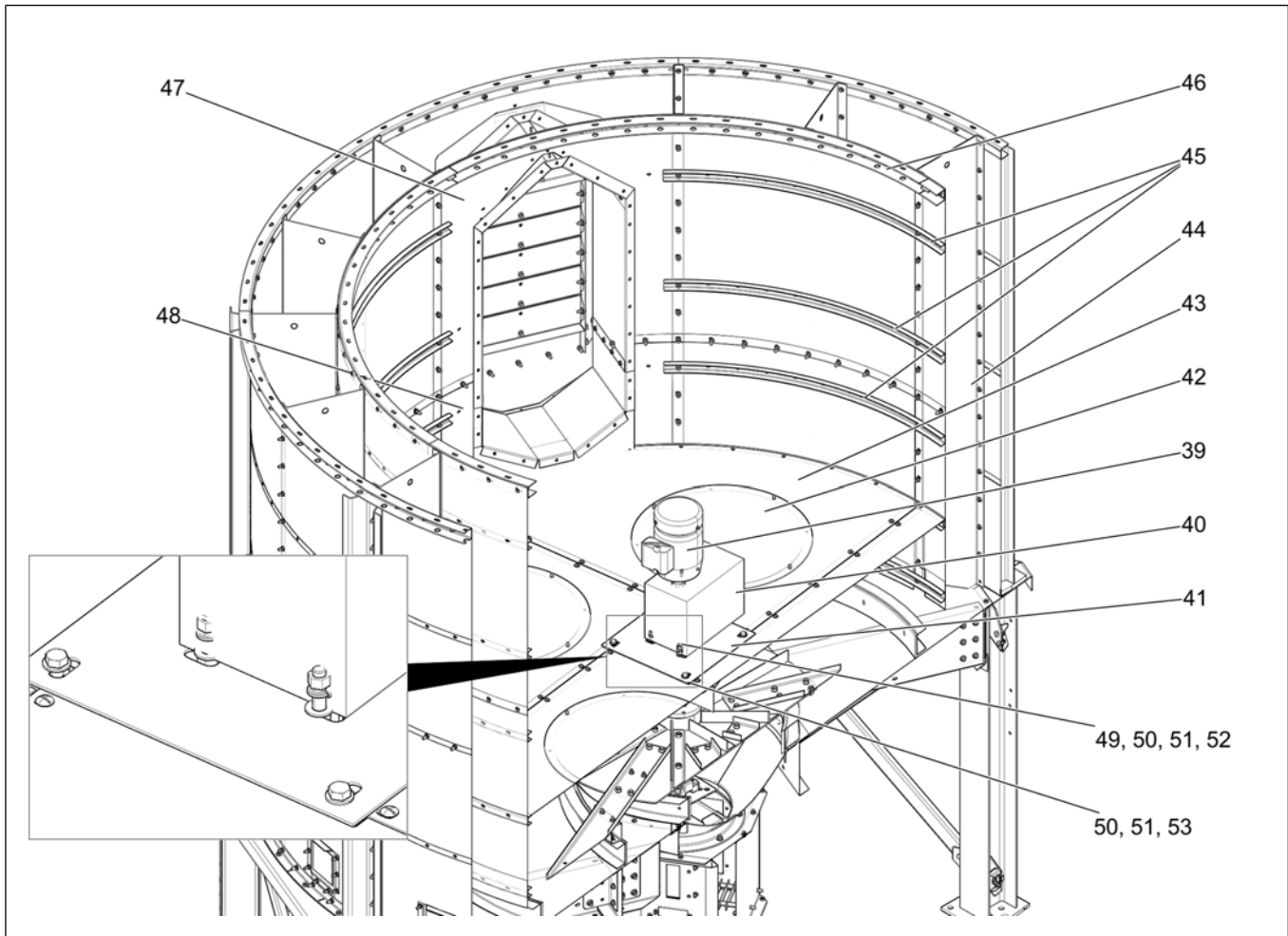
Figure 6-10 Flat Unload Section (GT4-7008-AC) (Bottom View)



Item	Part Number	Description
14	S-7447	Bolt, Flange 5/16-18 X 1 SS (Full Thread)
15	S-8452	Nut, Flange 5/16-18 SS Waxed (Must Be Waxed)
30	S-7470	Bolt, Flange 5/16-18 X 1 Zinc Grade 5
31	S-10268	Nut, Flange 5/16-18 JS500 Grade 5
33	GT1-5042	Grain Floor Support-Short
34	GT1-5041	Grain Floor Support-Long
35	GT1-5043	Grain Floor Sheet
36	GT4-5036	Flat Unload Hopper
37	GT1-5054	Angled Grain Floor Support
38	S-4336	Screw, MS 5/16-18 X 1 THS Zinc
NS	GT1-5056	Modular: Skirt, Flat Unload
NS	S-248	Washer, Flat 3/8 in. 7/16 in. ID 1 in. OD YDP
NS	CH-6873	Silicone, Cartridge Clear RTV DOW #737 Special Silicone Sealant
NS	GT1-5153	Modular: Plenum Channel Splice
NS	756-1026-1	Thermostat, Hi Limit Honeywell T675A 1102 160 TO 260 F

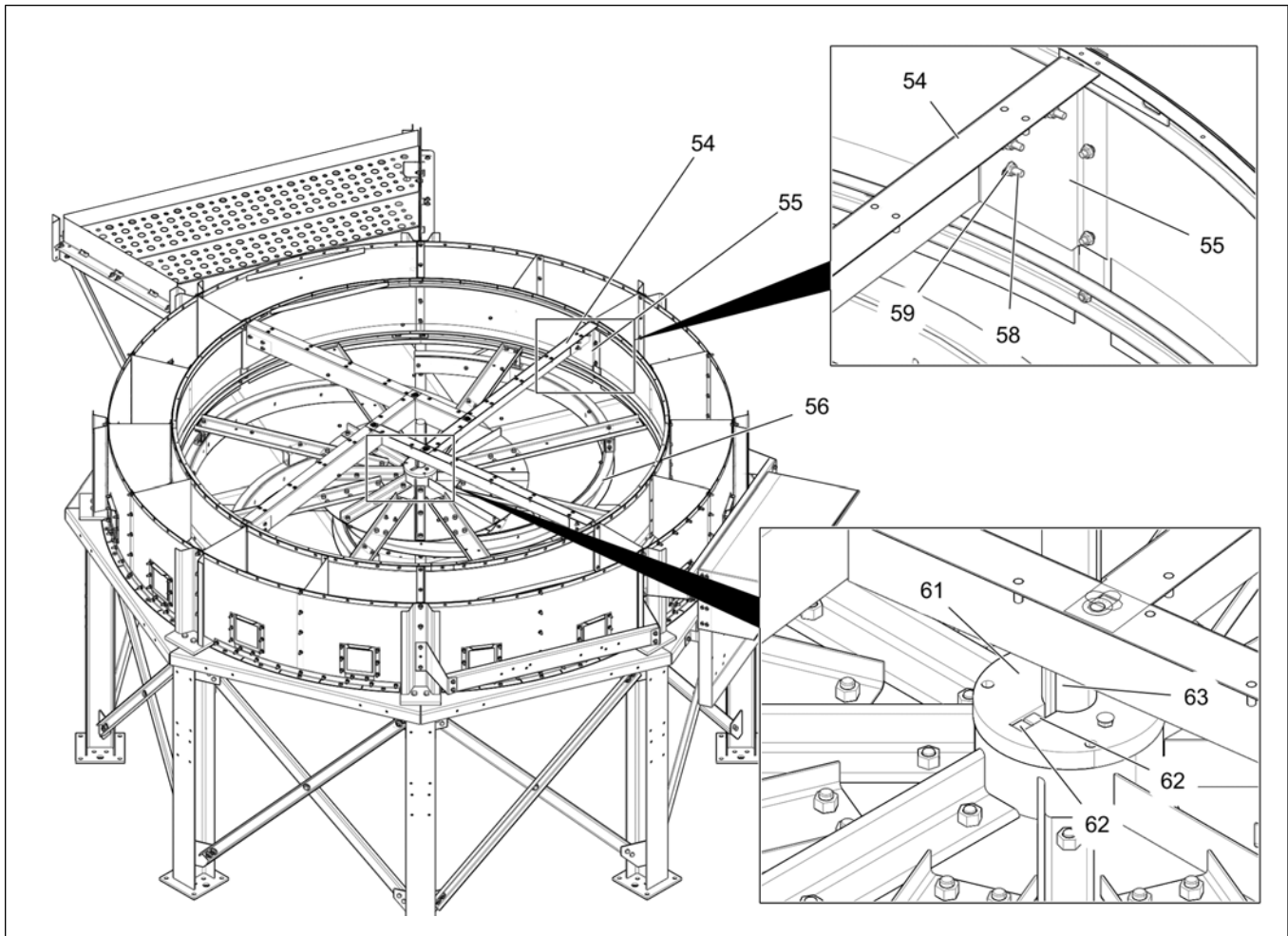
Chapter 6: Unload Section

Figure 6-11 Flat Unload Section (GT4-7008-AC) (Section View)



Item	Part Number	Description
39	702-1069-5	Motor, 1HP 3PH 1725 @60HZ Super
40	GT3-1114	Gearbox, Sumitomo D612DA 683:1 Reducer Model
41	GT1-5062	Gearbox Adjustment Plate
42	GT1-5065	Cooling Floor Access Door
43	GT1-5015W	Hopper Floor Sheets
44	GT1-5044	Vertical Base Channel Left
45	GT1-5005	Rolled Plenum Channel
46	GT1-5630	Inside Mounting Ring
47	GT1-5684	Inside Perforated Galv Wall Sheet, 24 in. Opening, Top Cutout
48	GT1-5683	Inside Perforated Galv Wall Sheet, 24 in. Opening, Bottom Cutout
49	S-8268	Bolt, HHCS 1/2-13 X 2 in. Zinc Grade 8
50	S-3729	Nut, Hex 1/2-13 YDP Grade 5
51	S-2120	Washer, Flat 1/2 SAE Zinc
52	S-236	Washer, Lock Split, 1/2 REG Zinc Plated
53	S-7935	Bolt, HHCS 1/2-13 X 1 Zinc Grade 5)

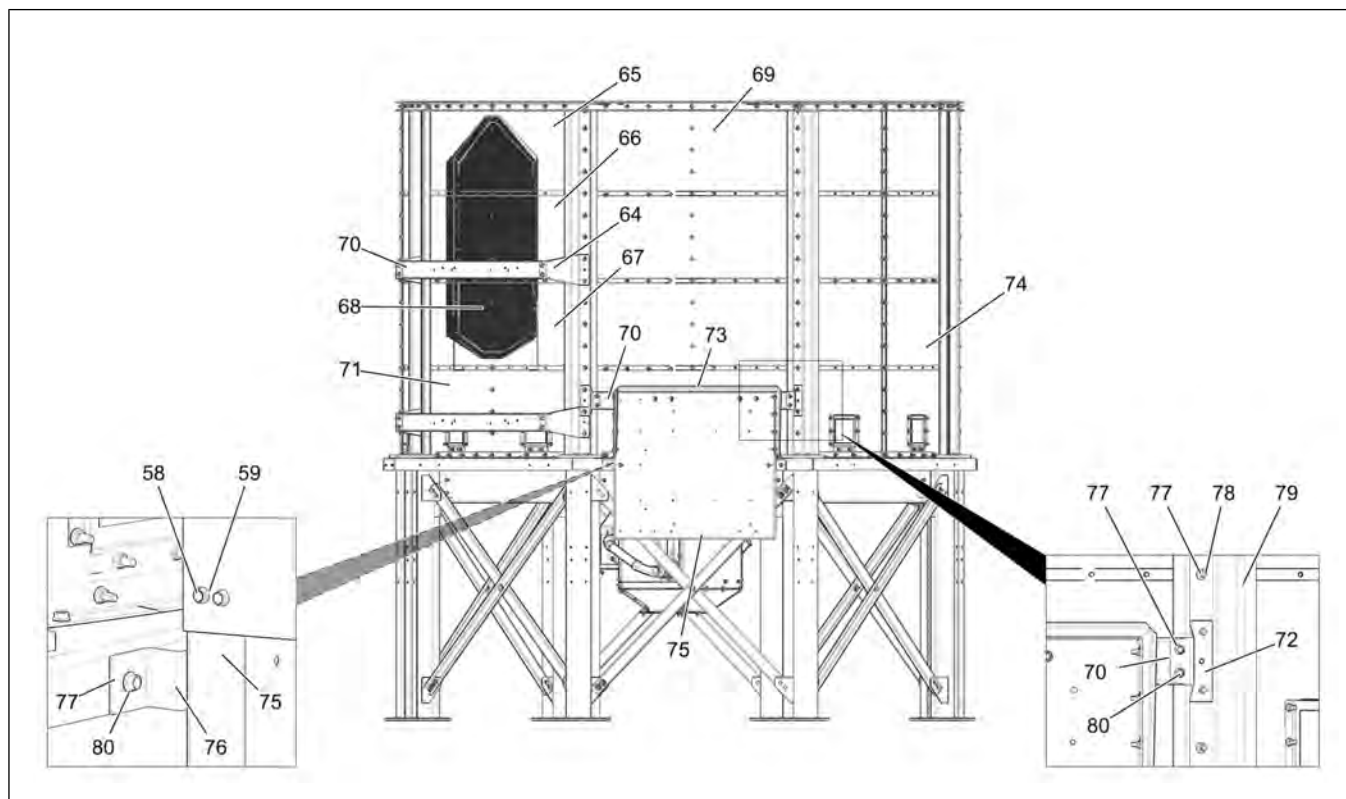
Figure 6-12 Flat Unload Section (GT4-7008-AC) (Section View)



Item	Part Number	Description
54	GT1-5014	Hopper Floor Beam
55	GT1-5046	Hopper Floor Beam Wall Clip
56	GT4-5346	Sweep (CCW) (See Sweep, page 95)
57	S-7470	Bolt, Flange 5/16-18 X 1 Zinc Grade 5
58	S-10268	Nut, Flange 5/16-18 JS500 Grade 5
59	717-1428-1	Bushing, Split Taper, S1 X 1-15/16
60	717-1258-2	Key, 1/2 X 1/2 X 2-3/4
61	GT1-5060	1-15/16 Flat Unload Shaft
62	717-1258-2	Key, 1/2 X 1/2 X 2-3/4
63	GT1-5060	1-15/16 Flat Unload Shaft
NS	S-10173	Nut, Push 5/16 Phosphate and Oil
NS	S-10175	Nut, Extruded U 3/8-16, Tapped Hole, 050-.200 Panel Range, Black
NS	S-280	Screw, SDS #10-16 X 5/8 HWH ZN

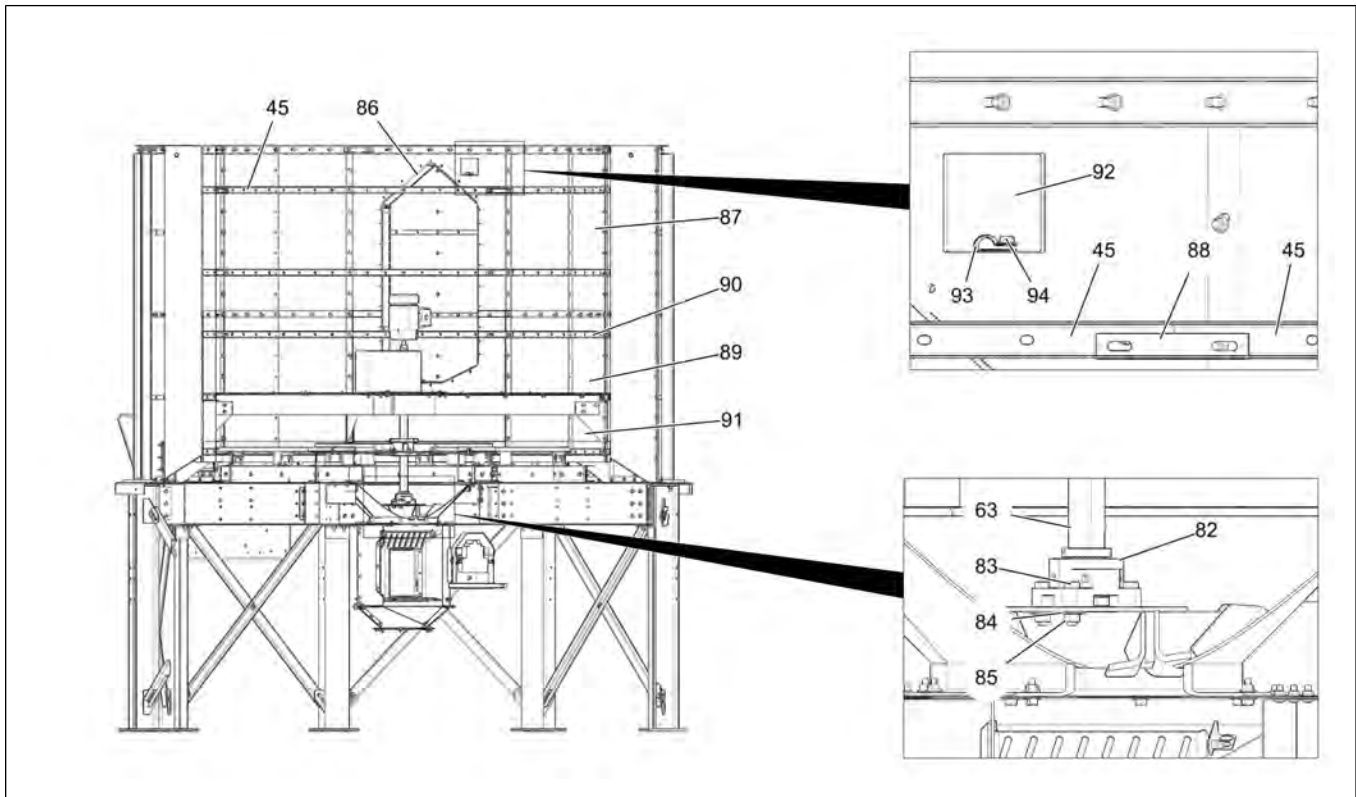
Chapter 6: Unload Section

Figure 6-13 Flat Unload Section (GT4-7008-AC)



Item	Part Number	Description
64	GT1-5759	Bracket, Mounting - Control Box
65	GT1-5690	Outer Perforated SS Wall Sheet, 24 in. Opening, Top Cutout – Corrugated
66	GT1-5688	Outer Perforated SS Wall Sheet, 24 in. Opening, Middle Cutout – Corrugated
67	GT1-5686	Outer Perforated SS Wall Sheet, 24 in. Opening, Bottom Cutout – Corrugated
68	GT1-5709	Screen, Unload Free Air Opening
69	GT1-5618	Sheet, Half Wall, 16 Channels - 0.078 in. Perforated
70	GT1-5159	Channel, Mounting-Control Box
71	GT1-5619	Flat Unload Solid Half Sheet W/Cleanouts
72	GT1-5126	Mounting, Control Box
73	GT1-0417	Hood, Control Box Rain
74	GT1-5627	Flat Unload Solid Half Sheet – Corrugated (SS)
75	GT1-0418	Panel, Control Box Mounting
76	GT1-5160	Bracket, Mounting - Vision Box
77	S-968	Nut, 3/8-16 Zinc Grade 5 Wide Flange
78	S-9066	Bolt, Flange 3/8-16 X 1-1/4 Zinc Grade 5
79	GT4-5038	Flat Unload Base Stiffener Weldment
80	S-9065	Bolt, Flange 3/8-16 X 1 Zinc Grade 5

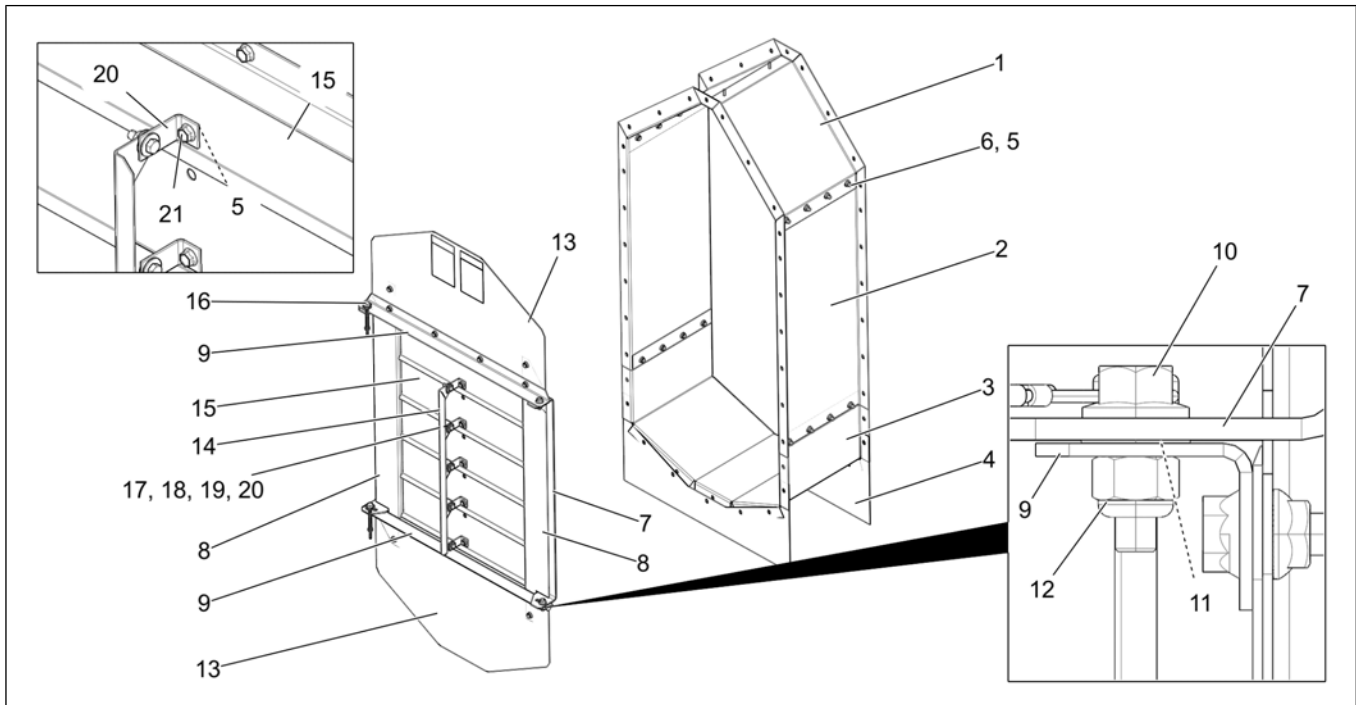
Figure 6-14 Flat Unload Section (GT4-7008-AC) (Section View)



Item	Part Number	Description
45	GT1-5005	Rolled Plenum Channel
63	GT1-5060	1-15/16 Flat Unload Shaft
82	717-1427-3	Bearing, RFB107 1-7/16
83	S-8268	Bolt, HHCS 1/2-13 X 2 in. Zinc Grade .8
84	S-2121	Washer, Flat 1/2 in. .562 X 1.375 X .10 .562 X 1.375 X .109 Type A Plated
85	S-3729	Nut, Hex 1/2-13 YDP Grade 5
86	GT1-5737	Window - Contoured Door Opening - 24 in.
87	GT1-5101	Sheet, Modular: Wall , Inside Dryer - 0.078 in. Perforation
88	GT1-5095	Inside Ring Splice
89	GT1-5067	Sheet, Half Wall, Inside Dryer - 0.078 in. Perforated, 16 GA G-16
90	GT1-5673	Rolled Plenum Channel (Short)
91	GT1-5066	1200/1500 Flat Unload 20 GA Galv Interior Solid Sheet
92	GT4-0148	Exhaust Hi-Limit - Single
93	GT3-0202	Clamp, Insulated (KMC#C0V 0711Z1)
94	S-8452	Flanged Nut, 5/16-18 SS Waxed (Must Be Waxed)
NS	GT3-1523	Lovejoy (L075), Coupler Jaw, 7/8 in. Bore (10692)
NS	GT4-7212	Modular: Moisture Sampler Blower Box of Parts

Door Assembly

Figure 6-15 24 in. Window and Louvered Door (GT4-7038)

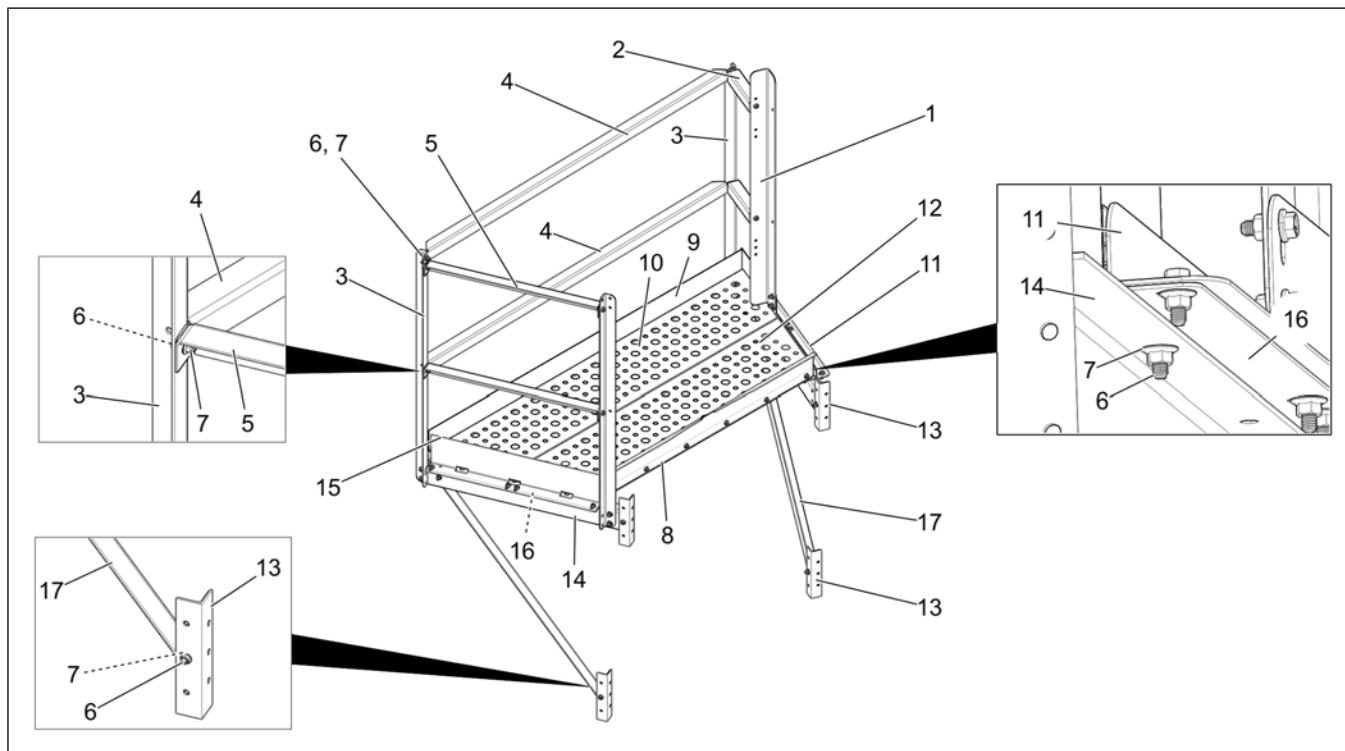


Item	Part Number	Description
1	GT1-5738	Weldment - 24 in. Contoured Door Top
2	GT1-5731	Window Side Panel-Contoured Door
3	GT1-5730	Door Bottom, Contoured 24 in. Door
4	GT1-5612	Sheet, Window - 24 in. Door
5	S-10268	Nut, Flange 5/16-18 in. JS500 Grade 5
6	S-6606	Bolt, Flange 5/16-18 X 3/4 in. Zinc/Clear Grade 5
7	GT1-0638-A	Hinge, Louver Door-Window Side-NS
8	GT1-0636-A	Frame, Louver Door - Side -NS
9	GT1-0637-A	Beam, Louver Door-Hinge -NS
10	S-9065	Bolt, Flange 3/8-16 X 1 in. Zinc Grade 5
11	S-7409	Washer, Flat 3/8 in. SAE Zinc Grade 2
12	S-7383	Nut, Nylon lock 3/8-16 in. Zinc Grade 5
13	GT1-5669	24 in. Door Top/Bottom Plate
14	GT1-0641	Link, Louver Door- Bar -NS
15	GT1-0639	Louver, Louver Door -NS

Item	Part Number	Description
16	KD-PPIN1030	Safety Pin
17	S-1196	Bolt, HHCS 5/16-18 X 1 in. Zinc Grade 5
18	S-845	Washer, Flat 5/16 in. USS Zinc
19	S-5220	Nut, Lock 5/16-18 in. Grade 2
20	GT1-0640	Link, Louver Door -NS
21	S-7470	Bolt, Flange 5/16-18 X 1 in. Zinc Grade 5
NS	GT1-2417	Hinge, Louvered Door, Right Side
NS	GT1-5758	Modular: 24 in. Door Top/Bottom Plate
NS	GT3-1200	Magnet, Door Holder RD.
NS	S-10376	Screw, MS #10-32 X 1.25 in. FHP Zinc
NS	S-4334	Nut, Hex #10-32 in. Zinc Grade 2
NS	GT1-2445	Louvered Door Latch Handle
NS	GT3-1678	Handle, Door Non-Locking CCW
NS	GT1-2446	Louvered Door Latch Hook
NS	S-7173	Nut, Hex 3/8-24 in. Zinc Grade 2
NS	S-1054	Washer, Lock Split 3/8 in. Zinc Clear
NS	S-4378	Cover, Plastic Grip .250 X 1.25 X 5.25 in.
NS	S-6550	Washer, Flat #8 in. SAE Zinc GRS

Outside Platform

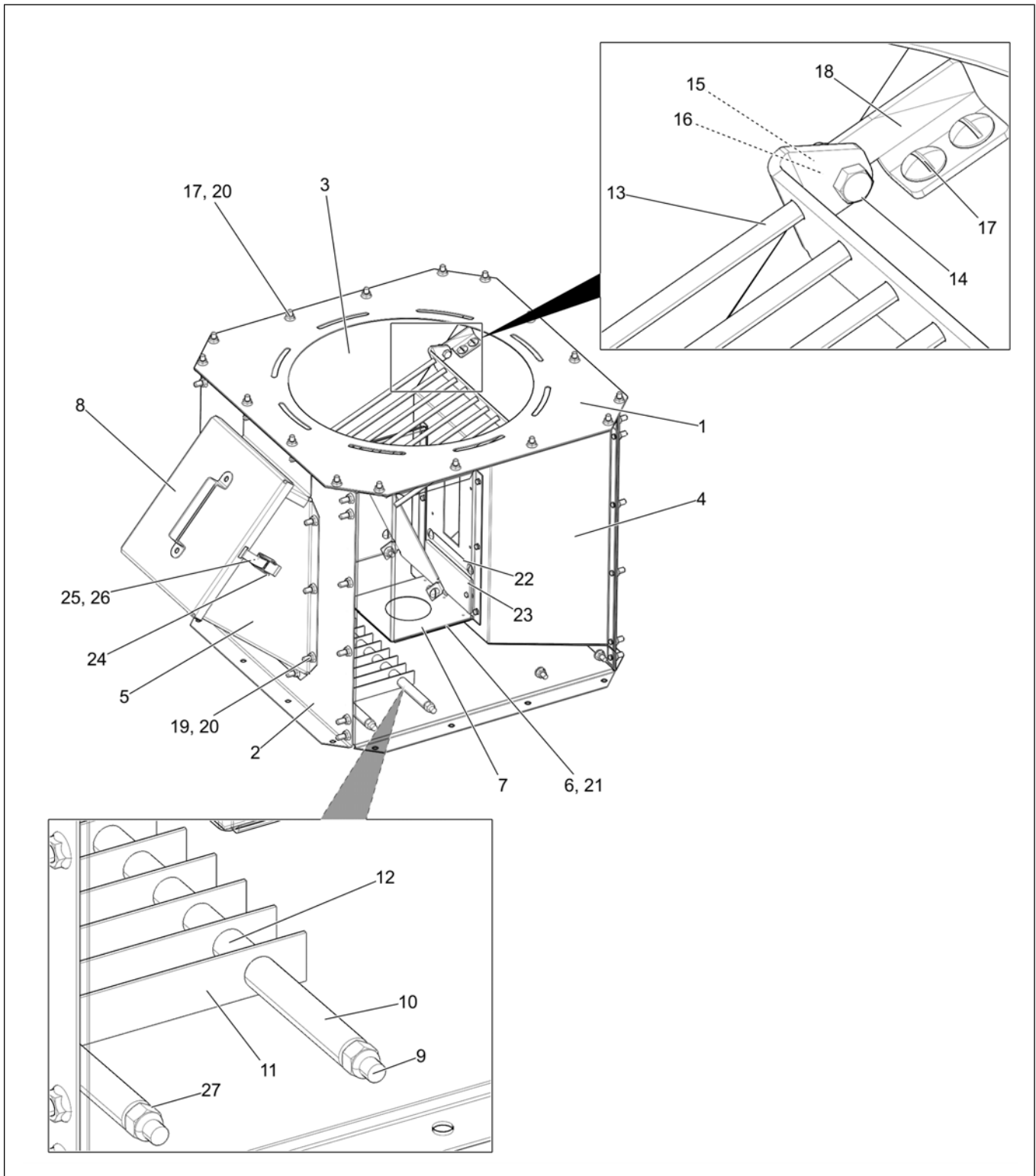
Figure 6-16 Outside Platform (GT4-5007A)



Item	Part Number	Description
1	GT1-2315	Handrail Upright - Exterior Stepover Platform
2	GT1-0920	Handrail, Catwalk-End @ Stepovr
3	GT1-0005	Support, Catwalk-Vertical
4	GT1-5108	Catwalk/Platform Handrail
5	GT1-5119	Catwalk Platform End Handrail
6	S-7485	Bolt, Flange 3/8-16 X 1 JS500 Grade 8 OR 8.2
7	S-968	Nut, Flange 3/8-16 Zinc Grade 5 Wide Flange
8	GT1-5109	Guard-Stepover Toeboard
9	GT1-5104T	Long Toeboard (78.125 in.)
10	GT1-5104	Long Catwalk/Platform Plank (78.5 in.)
11	GT1-5121	Right Entry Toe Board
12	GT1-5105	Short Catwalk/Platform Plank
13	GT1-0162-BS	Clip, Catwalk Support - Bin Silver
14	GT1-5103	Platform Floor Horizontal Support
15	GT1-5118	End Toe Board
16	GT1-5107	Catwalk/Platform Splice Plate
17	GT1-5106	Catwalk/Platform 45 deg Support

Moisture Sensor Housing Assembly

Figure 6-17 Moisture Sensor Housing Assembly (815-1935-7-M-MB)

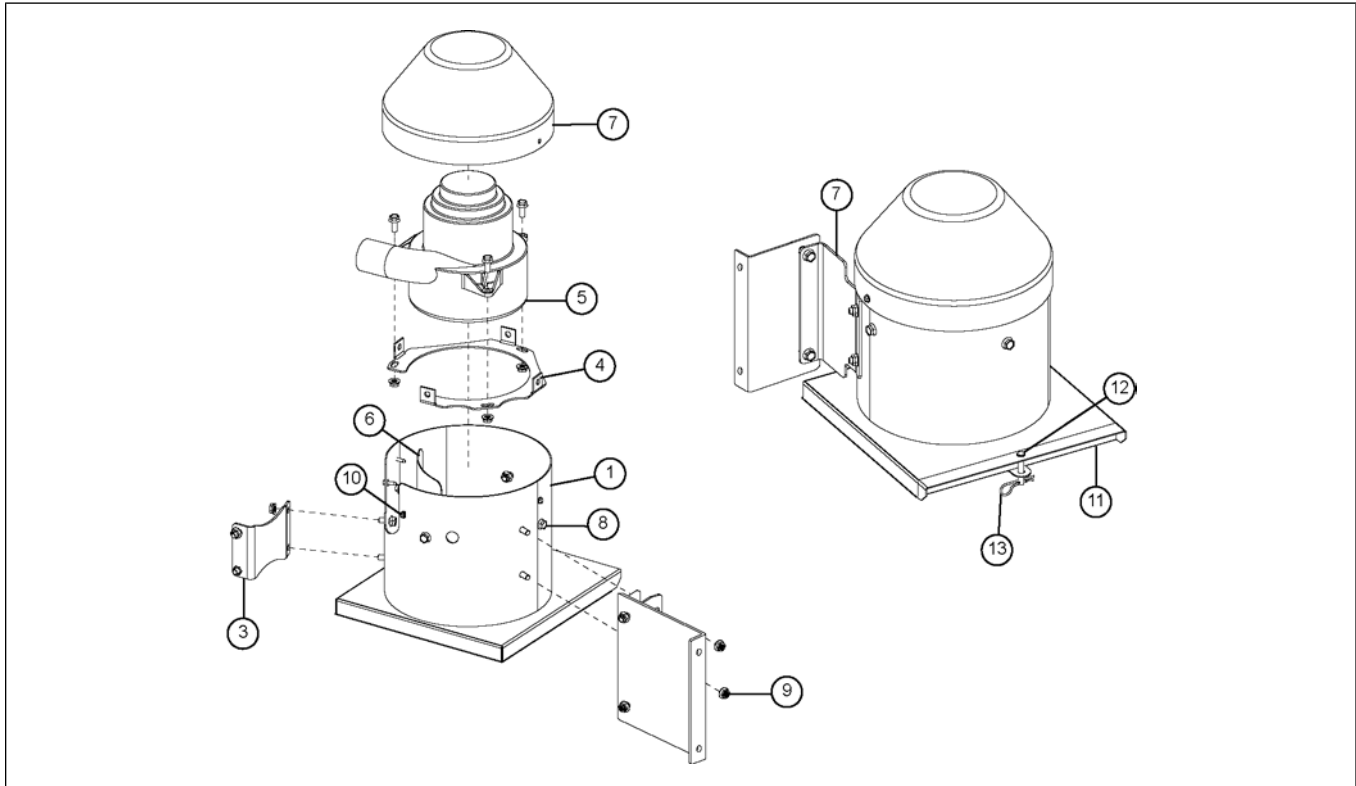


Chapter 6: Unload Section

Item	Part Number	Description
1	801-2393-8	Panel, Top Dryer Master Box
2	801-2383-9	Plate, Back Dryer Master Box
3	801-2384-7	Panel, Side Dryer Master Box
4	801-2377-1-MB	Panel, Front Dryer Master Box
5	810-1356-7	Box, Cover Plate Dryer Master
6	GT1-2362	Cover Plate, Blower Moisture Sampler
7	GT1-2383	MBKT Clean out Plate
8	GT1-2406	Cover, Sample Chute Dryer Master
9	806-1715-2	Rod, Dryer Master Grate
10	806-1714-5	Spacer, Dryer Master Grate
11	801-2396-1	Inner Guard Dryer Master Box
12	806-1680-8	Spacer, Dryer Master Grate
13	GT1-2305	Moisture Sensor Guard Weldment
14	S-1196	Bolt HHCS 5/16-18 x 1 in. Zinc Grade 5
15	S-7382	Nut, Nylock 5/16-18 Zinc/Clear Grade 5
16	12-0319	Washer, Nylon
17	S-6620	Screw MS 5/16-18x3/4 THS Grade 5
18	GT1-2304	Moisture Sensor Guard Hinge Plate
19	S-6962	Stud 5/16-18x1 Self Clenching
20	S-10268	Nut, Flange 5/16-18 JS500 Grade 5
21	GT1-2364	Box, Inner For Blower Moisture Sampler
22	GT1-2384	Window. Dryer Master Box
23	GT4-1532-BS	Tube Weldment, Blower Moisture Sampler - Bin Silver
24	D03-1011	Latch, Over center Draw - Southco 97-50-360-11
25	1FH0993	Nut, Flange #8-32 PLTD
26	S-8787	Screw, MS #8-32 X 1/2 HWHS Zinc Grade 2
27	S-7383	Nut, Nylock 3/8-16 Zinc Clear Grade 5
NS	GT3-0343	Tie, Wire Weather RES. Black 14.5 14.5"
NS	S-10260	Bolt, Flange 5/16-18 x 1 JS500 Grade 8
NS	DC-455	Decal, Danger Rotating Auger Clearcoat

Moisture Sampler Blower

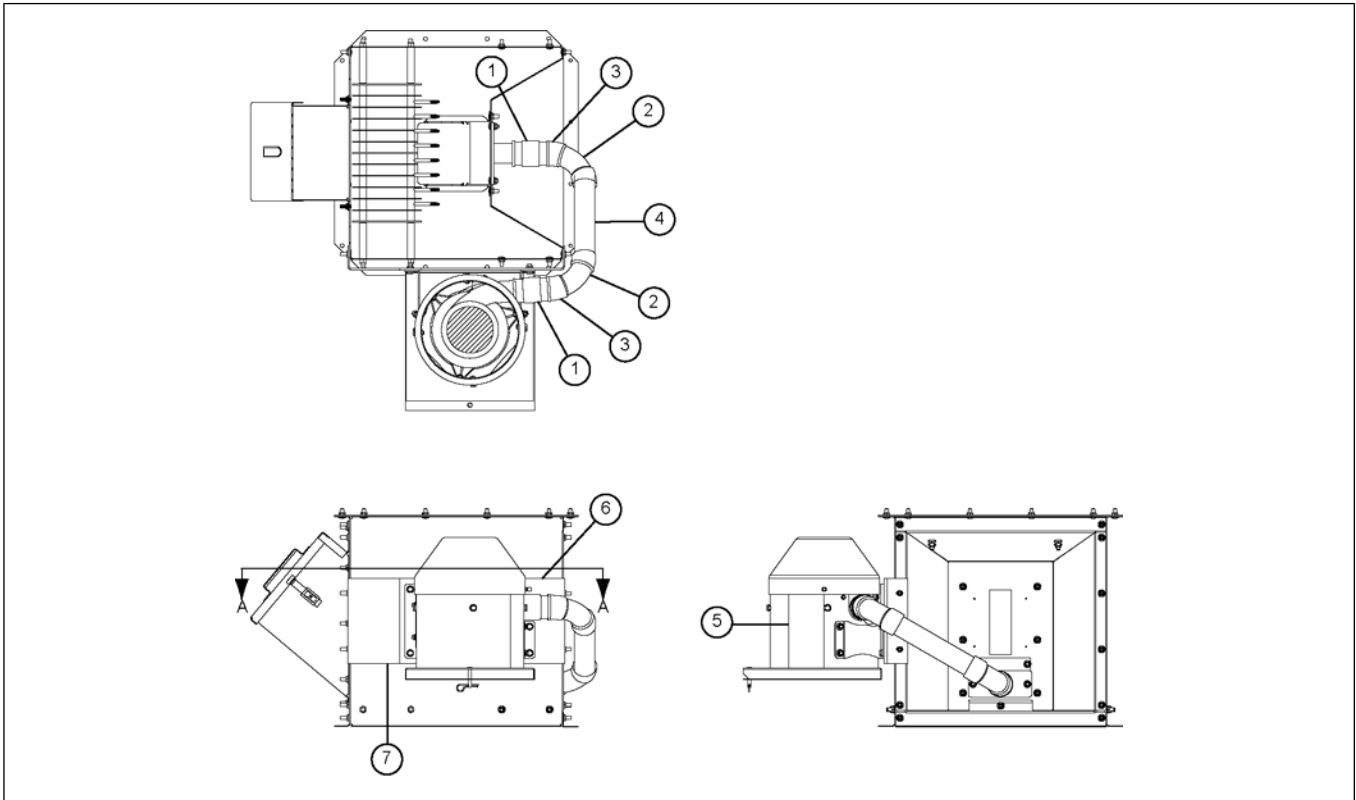
Figure 6-18 Blower Cover Assembly (D04-1016)



Item	Part Number	Description
1	D04-1017-BK	Blower Cover Weldment
2	D01-2952	Moisture Sampler Blower Housing Bracket
3	D01-2959	Blower Mount Short Bracket
4	D01-2953	Blower Mount Bracket
5	D03-1181	Blower 120V VAC, 50/60 Hz
6	D01-2954	Seal Plate, Blower Housing
7	D04-1021-BK	10 in. Vertical Cap Black
8	S-6606	Flange Bolt 5/16 in. -18 x 3/4 in. ZN Grade 5
9	S-3611	Flange Nut 5/16 in. -18 YDP Grade 2
10	S-280	Screw, SDS #10-16 x 5/8 in. HWH ZN
11	D03-1189	Filter, Reusable Rigid Polyester Air, 12 in. x 12 in. x 1 in.
12	D02-0028	Clevis Pin 5/16 in. x 1-3/4 in. Long Zinc
13	S-7375	Cotter Pin, Hairpin 0.93 in. Wire Diameter

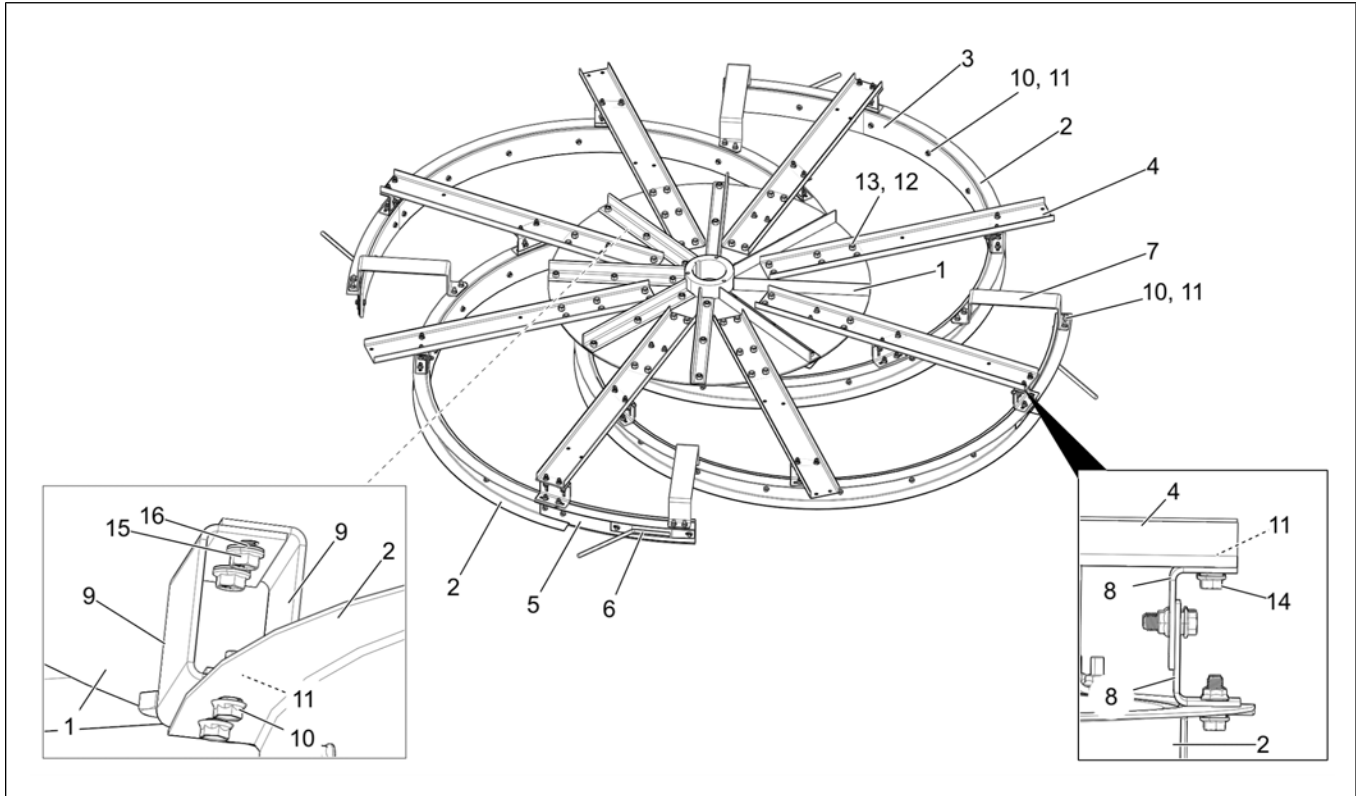
Chapter 6: Unload Section

Figure 6-19 Moisture Sampler Blower (GT4-1540)



Item	Part Number	Description
1	D03-1205	Fitting, Flexible Pipe Coupler, 1-1/2 in. x 3-7/16 in. Long
2	D03-1203	Fitting, Flexible Pipe Elbow, 1-1/2 in. 90 deg.
3	GT1-2390	Pipe, Black ABS 1-1/2 in. x 2-1/4 in.
4	GT1-2391	Pipe, Black ABS 1-1/2 in. x 9-3/4 in.
5	D04-1016	Blower, Cover Assembly
6	GT1-2389	Lower Mounting Plate R.H.
7	GT1-2385	Blower Mounting Plate L.H.

Sweep



Item	Part Number	Description
1	810-1384-9	Center Unload Disk Weldment
2	GT1-5163	Sweep Arm 4 in. (CCW)
3	GT1-5164	Sweep Liner (CCW)
4	GT1-5161	Unload Support Arm (CCW)
5	GT1-5162	Sweep Arm Extension (CCW)
6	GT1-1458	Agitator Weldment
7	GT1-5753	Sweep Stabilizing Bracket
8	GT1-5674	Unload Sweep Spacer (Adjustable)
9	GT1-5052	Unload Sweep Spacer
10	S-7470	Bolt, Flange 5/16-18 X 1 Zinc Grade 5
11	S-10268	Nut, Flange 5/16-18 JS500 Grade 5
12	S-7935	Bolt, HHCS 1/2-13 X 1 Zinc Grade 5
13	S-3729	Nut, Hex 1/2-13 YDP Grade 5
14	S-10260	Bolt, Flange 5/16-18 X 1 JS500 Grade 8 or 8.2 Full Thread W/Sealing Washer
15	S-7483	Bolt, Flange 5/16-18 X 1-1/4 JS500 Grade 8 or 8.2 Full Thread W/Sealing Washer
16	S-1937	Washer, Flat 5/16 Zinc SAE Grade 2

NOTES

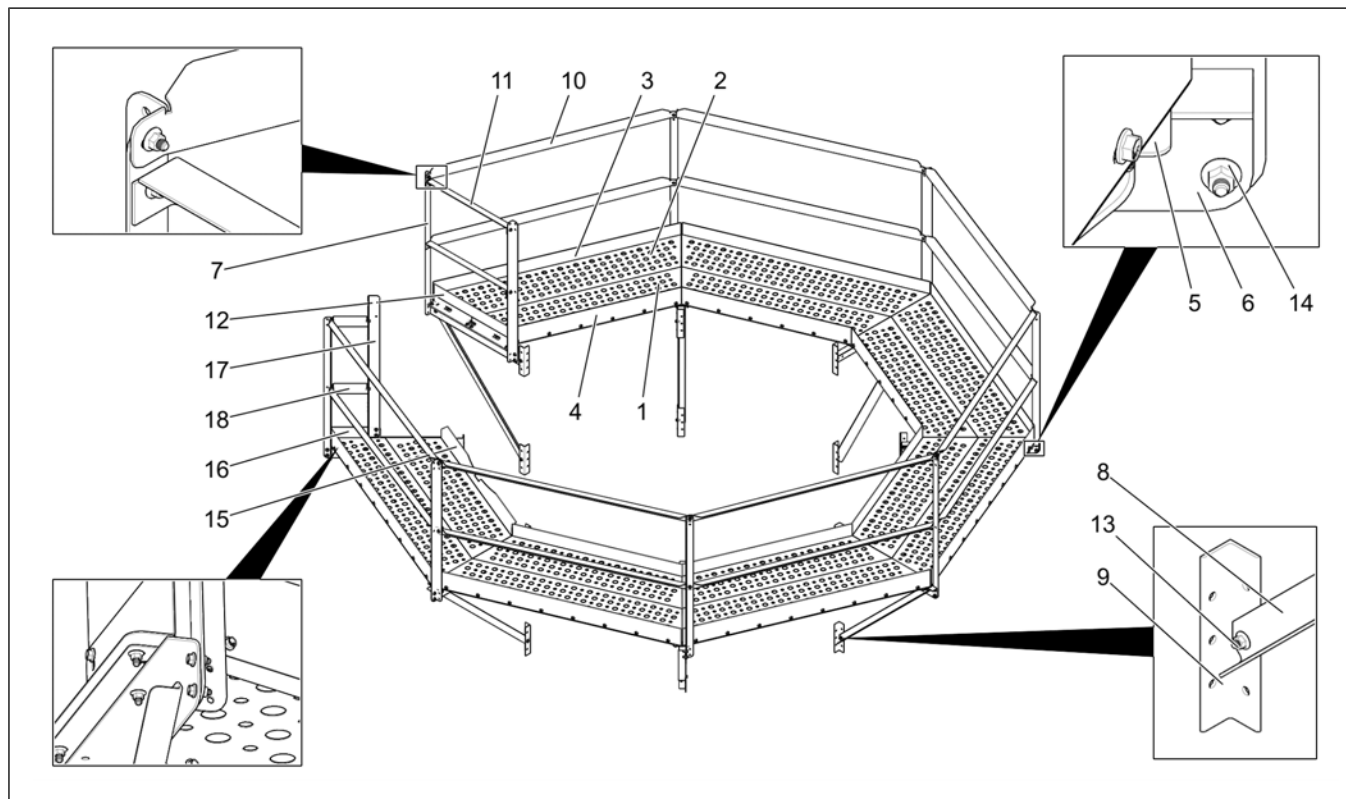
7 Catwalk Assembly

Topics Covered in this Chapter

- Catwalk Assembly

Catwalk Assembly

Figure 7-1 Catwalk Assembly (GT4-5007)



Item	Part Number	Description
1	GT1-5105	Short Catwalk/Platform Plank – 66 in.
2	GT1-5104	Long Catwalk/Platform Plank 78.5 in.
3	GT1-5104T	Long Toe Board 78.125 in.
4	GT1-5105T	Short Toe Board (53.60 in.)
5	GT1-5107	Catwalk/Platform Splice Plate
6	GT1-5103	Platform Floor Horizontal Support
7	GT1-0005	Support, Catwalk-Vertical
8	GT1-5106	Catwalk/Platform 45 deg Support
9	GT1-0162-BS	Clip, Catwalk Support - Bin Silver
10	GT1-5108	Catwalk/ Platform Handrail
11	GT1-5119	Catwalk Platform End Handrail
12	GT1-5118	End Toe Board
13	S-7485	Bolt, Flanged 3/8-16 X 1 JS500 Grade 8 or 8.2
14	S-968	Nut, Flanged 3/8-16 Zinc Grade 5 Wide Flange
15	GT1-5109	Guard - Step Over Toe Board
16	GT1-5121	Right Entry Toe Board
17	GT1-2315	Handrail Upright - Exterior Step Over Platform
18	GT1-0920	Handrail, Catwalk-End @ Stepovr

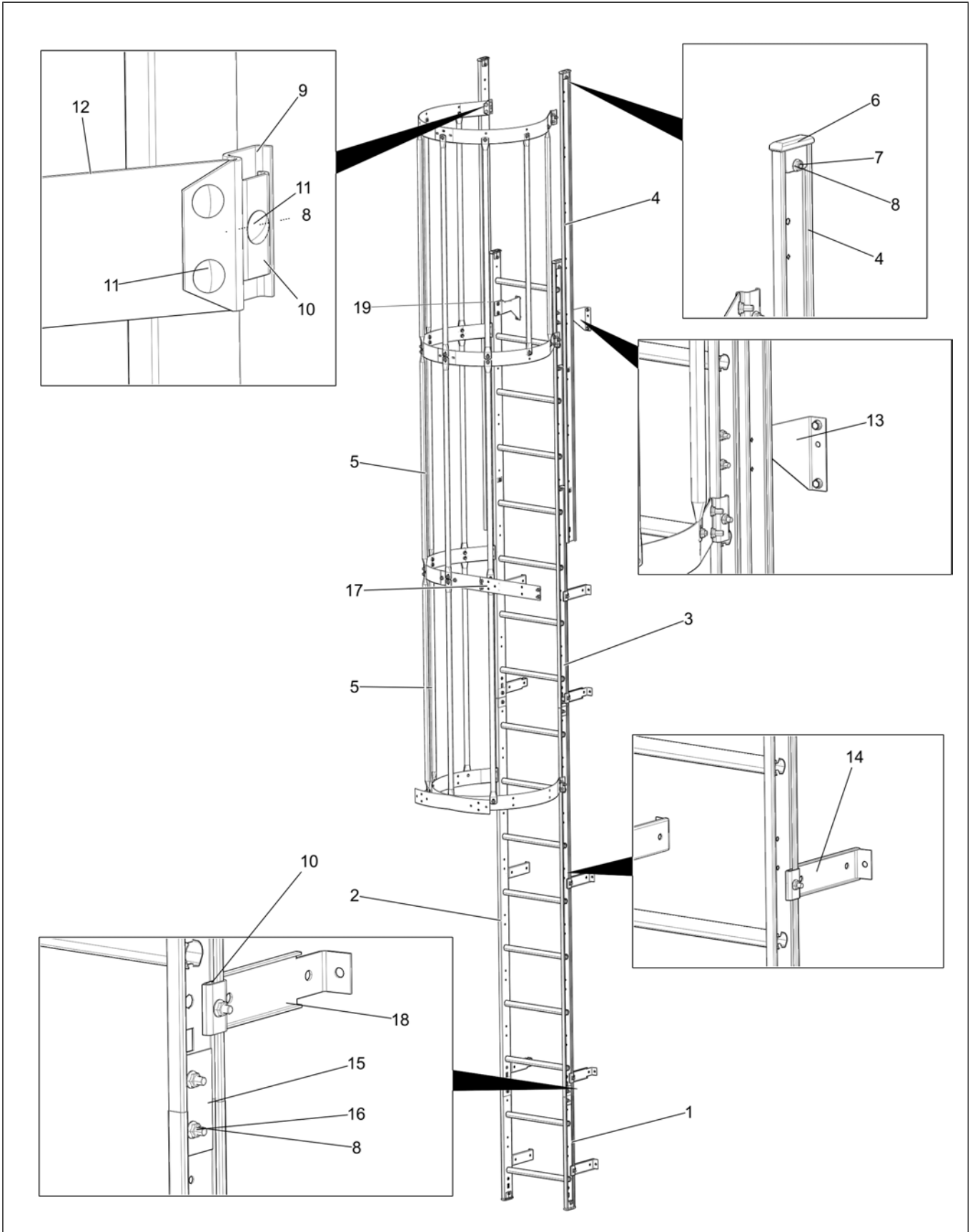
8 Ladder Assembly

Topics Covered in this Chapter

- Upper Ladder Section
- Middle Ladder Section
- Lower Ladder Section

Upper Ladder Section

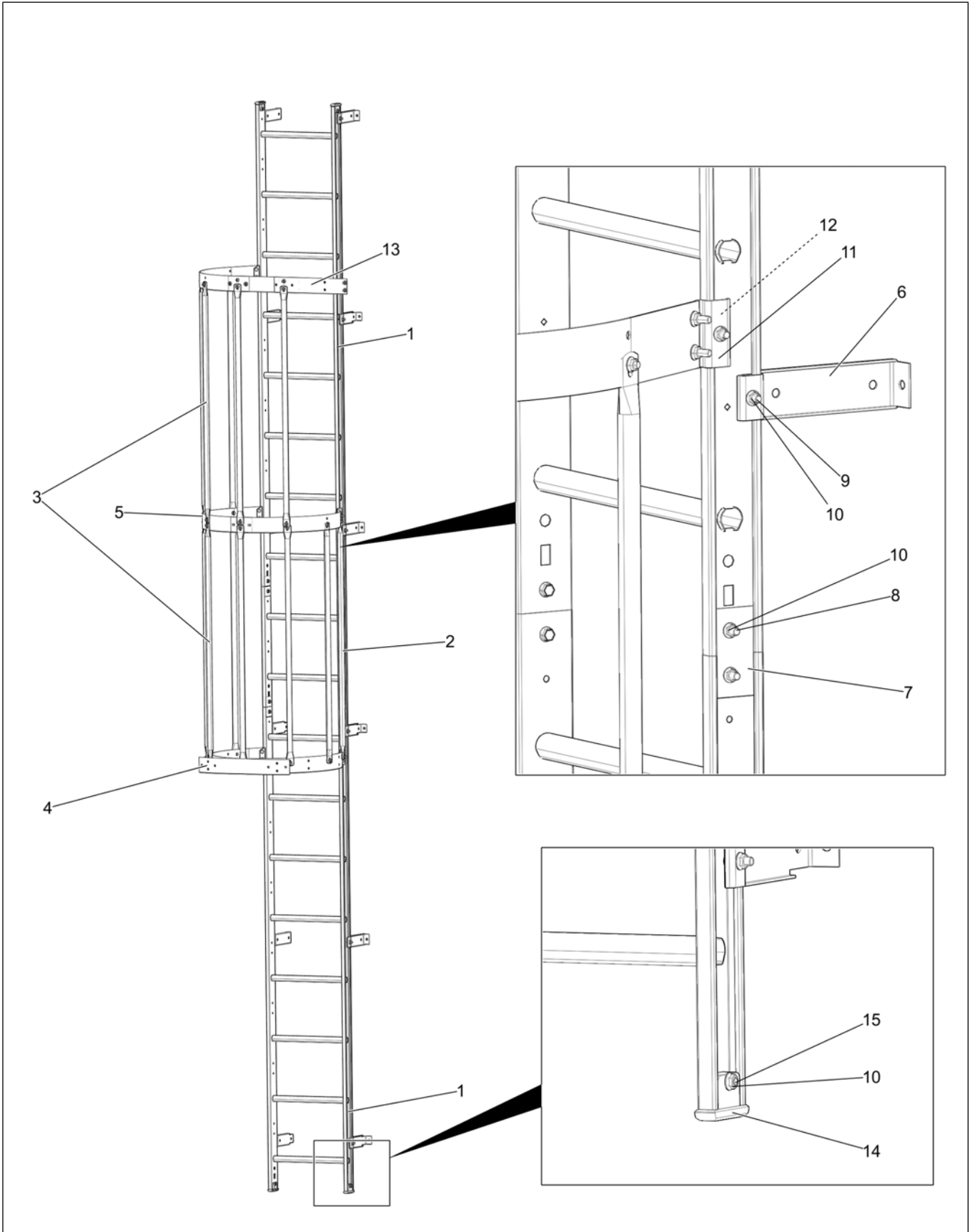
Figure 8-1 Upper Ladder Section



Item	Part Number	Description
1	2FOOTRFBFT	2 ft. BFT Roll Form Ladder Assembly
2	7FOOTRFBFT	7 ft. Roll Form Ladder Assembly
3	8FOOTRFBFT	8 ft. BFT Roll Form Ladder Assembly
4	8FOOTRFB	8 ft. - 4 in. LDR SD Rail Roll Form No RG
5	LS-6713	48 in. Safety Cage Vertical Support
6	LDR-5011	Cap, End For New Ladder 04
7	S-7470	Bolt, Flange 5/16-18 X 1 Zinc Grade 5
8	S-10268	Nut, Flange 5/16-18 JS500 Grade 5
9	LDR-4199	Safety Cage Hoop Bracket
10	LDR-4198	Ladder Standoff Wedge
11	S-3550	Bolt, Carriage 5/16-18 X 1 Zinc Clear Grade 5
12	LDR-4201	Safety Cage Hoop Half
13	LDR-4346	Placement Bracket New Ladder 04 LH
14	LDR-4314	Ladder Standoff Roll Formed
15	LDR-4317	Ladder Section Splice Plate, Requires 2 Per Section
16	S-6606	Bolt, Flange 5/16-18 X 3/4 Zinc Grade 5
17	LS-5284	Safety Cage Hoop Adapter
18	GT1-5223	Ladder Channel Standoff
19	LDR-4347	Placement Bracket New Ladder 04 RH

Middle Ladder Section

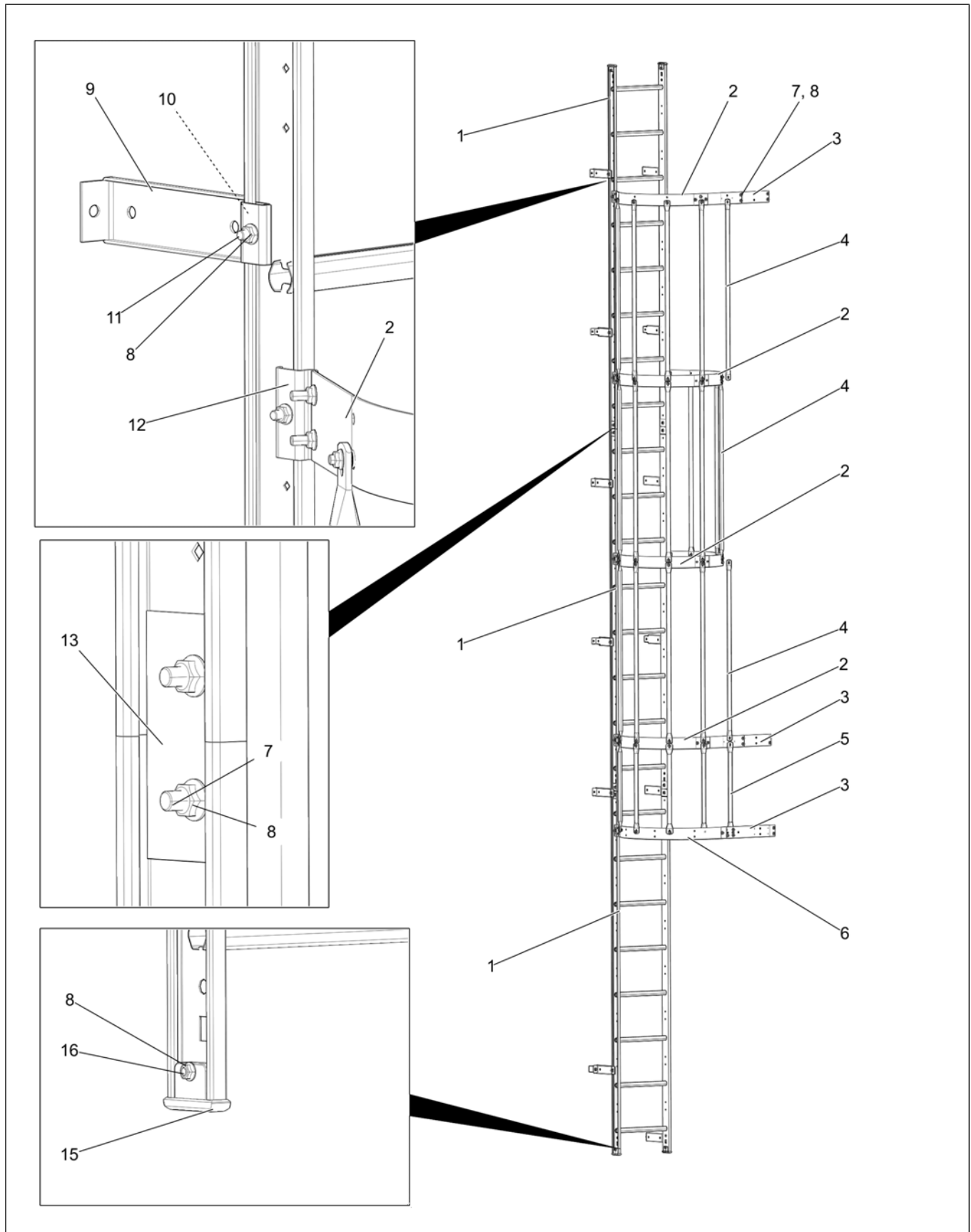
Figure 8-2 Middle Ladder Section



Item	Part Number	Description
1	8FOOTRFBFT	8 ft. BFT Roll Form Ladder Assembly
2	2FOOTRFBFT	2 ft. BFT Roll Form Ladder Assembly
3	LS-6713	48 in. Safety Cage Vertical Support
4	LDR-4202	Safety Cage Bell Hoop Half
5	LDR-4201	Safety Cage Hoop Half
6	LDR-4314	Ladder Standoff Roll Formed
7	LDR-4317	Ladder Section Splice Plate, Requires 2 Per Section
8	S-6606	Bolt, Flange 5/16-18 X 3/4 Zinc Clear Grade 5
9	S-3550	Bolt, Carriage 5/16-18 X 1 Zinc Clear Grade 5
10	S-10268	Nut, Flange 5/16-18 JS500 Grade 5
11	LDR-4199	Safety Cage Hoop Bracket
12	LDR-4198	Ladder Standoff Wedge
13	LS-5284	Safety Cage Hoop Adapter
14	LDR-5011	Cap, End For New Ladder 04
15	S-7470	Bolt, Flange 5/16-18 X 1 Zinc Grade 5

Lower Ladder Section

Figure 8-3 Lower Ladder Section



Item	Part Number	Description
1	8FOOTRFBFT	8 ft. BFT Roll Form Ladder Assembly
2	LDR-4201	Safety Cage Hoop Half
3	LS-5284	Safety Cage Hoop Adapter
4	LS-6713	48 in. Safety Cage Vertical Support
5	LS-6714	24 in. Safety Cage Vertical Support
6	LDR-4202	Safety Cage Bell Hoop Half
7	S-6606	Bolt, Flange 5/16-18 X 3/4 Zinc Grade 5
8	S-10268	Nut, Flange 5/16-18 JS500 Grade 5
9	LDR-4314	Ladder Standoff Roll Formed
10	LDR-4198	Ladder Standoff Wedge
11	S-3550	Bolt, Carriage 5/16-18 X 1 Zinc Clear Grade 5
12	LDR-4199	Safety Cage Hoop Bracket
13	LDR-4317	Ladder Section Splice Plate, Requires 2 Per Section
14	8FOOTRFBFTA	8 ft. BFT Roll Form Ladder Rail
15	LDR-5011	Cap, End For New Ladder 04
16	S-7470	Bolt, Flange 5/16-18 X 1 Zinc Grade 5

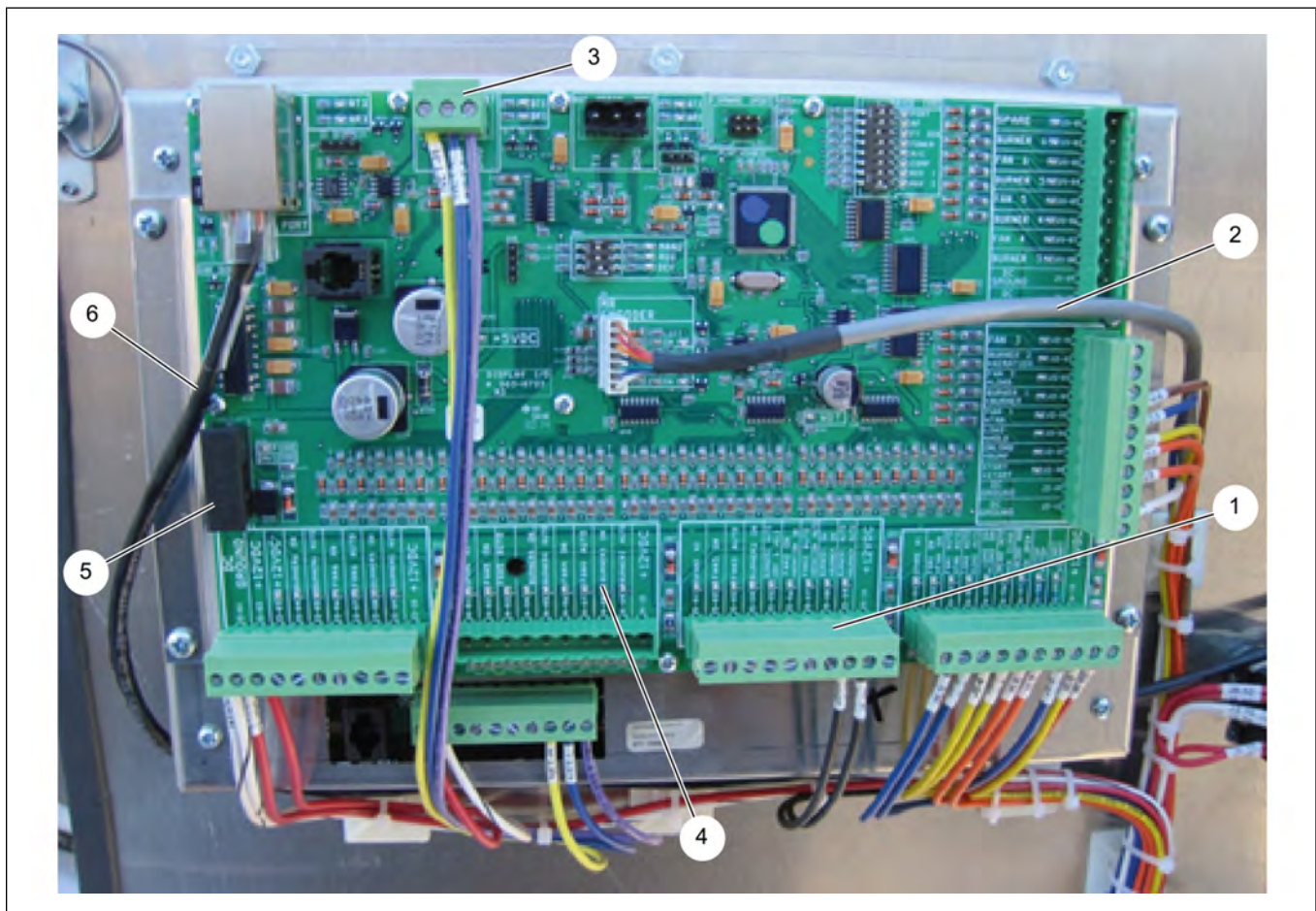
NOTES

9 Control Box

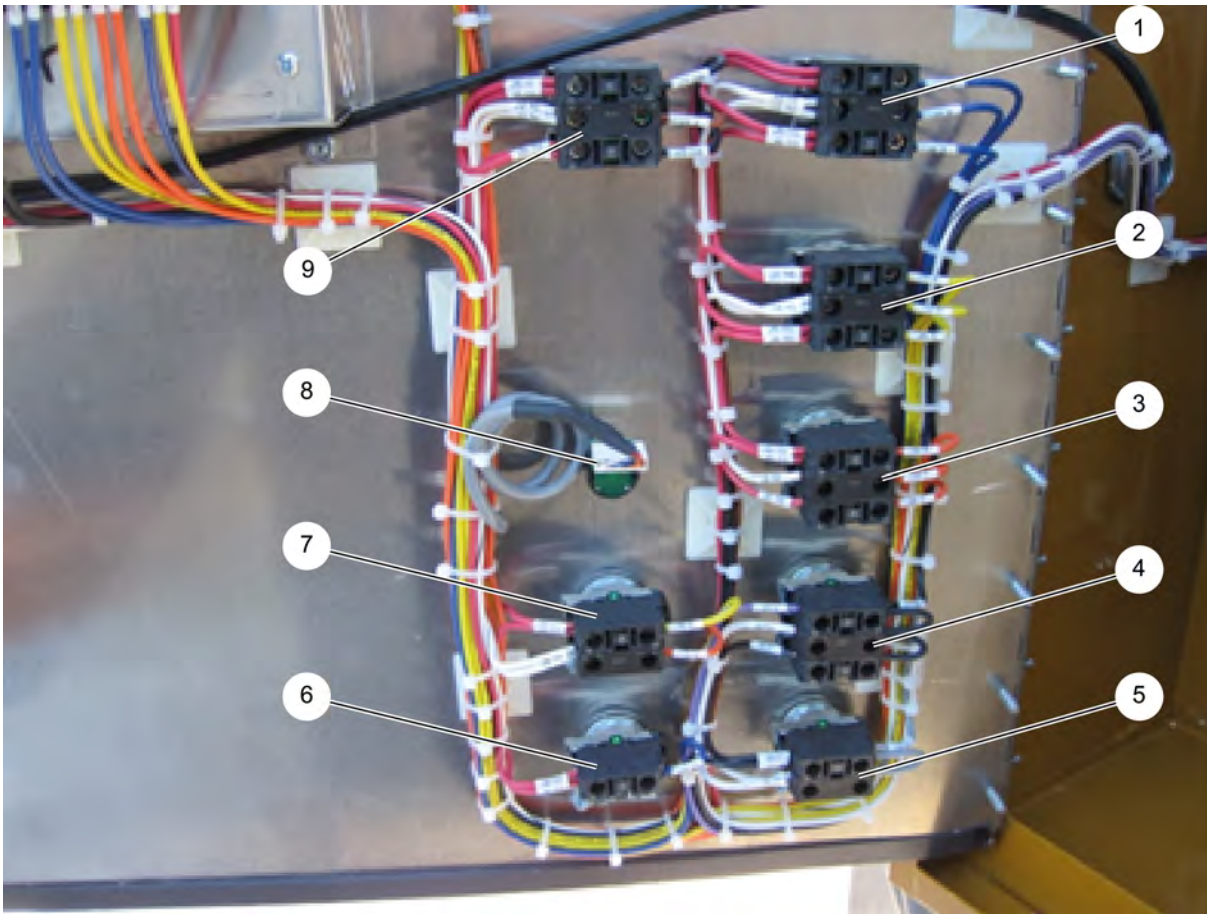
Topics Covered in this Chapter

- Control Box

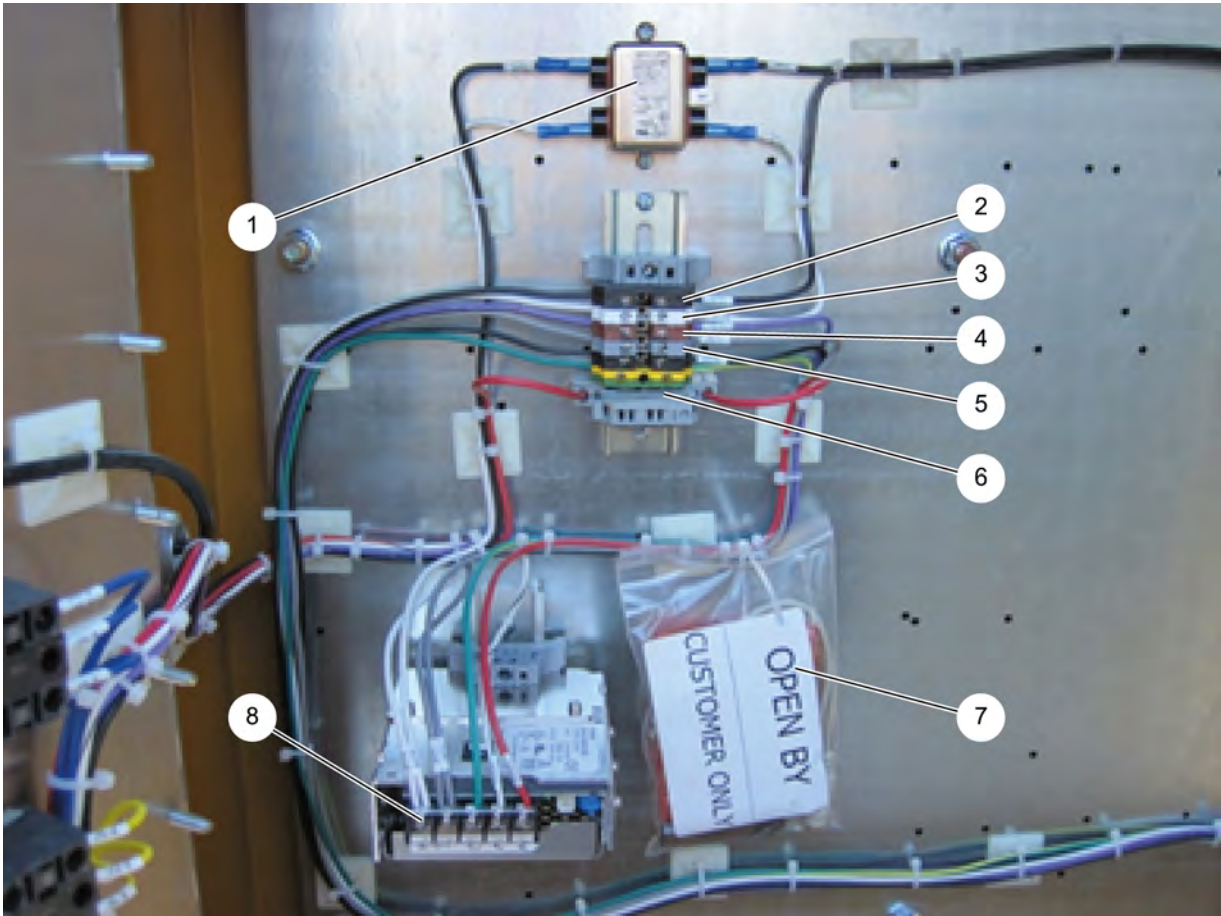
Control Box



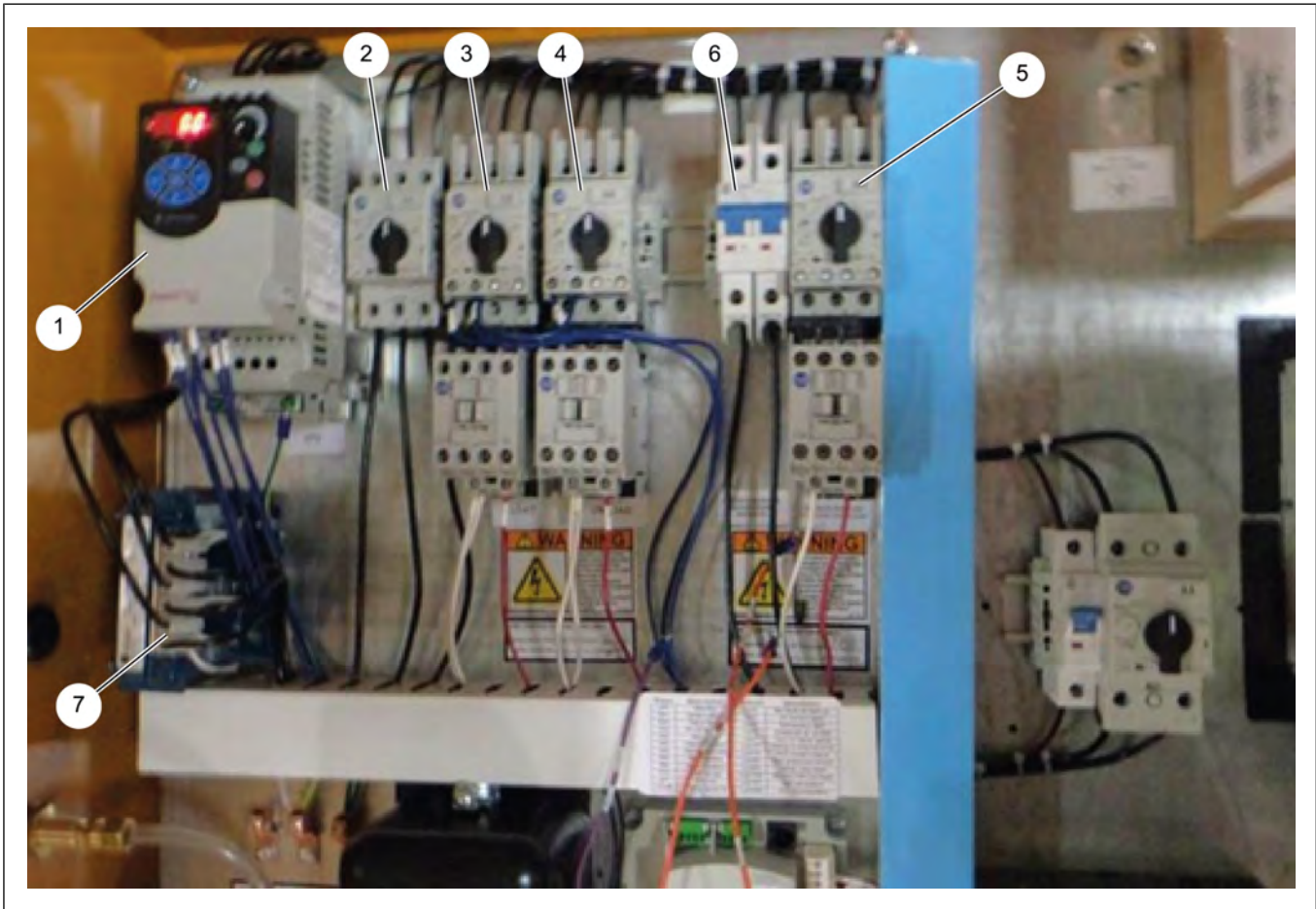
Item	Part Number	Description
1	D01-0460	Terminal, Strip 10 Pos Computer BDS EBY#EB1558A-10
2	D03-0555	Cable, Assembly For D03-0228
3	E240-1155	Connector, 3 Pin 0.200 PCB Plug EBY
4	D03-0723-SK	Vision Display I/O Board Service Kit
5	E300-1013	Fuse, 5 amp, 5 x 20 mm - F2395-ND
6	WR-CAT5E-04	Cable, Wire Cat. 5E Shielded 4 Ft.
NS	D04-1147-SERV	VIS/DTP Comp Computer Assembly



Item	Part Number	Description
1	DSA-VIS-FAN	Switch, Dryer Assembly VIS FAN ON/OFF/ON
2	DSA-VIS-LOAD	Switch, Dryer Assembly VIS LOAD (ON/OFF/ON)
3	DSA-VIS-UNL	Switch, Dryer Assembly VIS UNLOAD ON/OFF/ON
4	DSA-VIS-LITE	Switch, Dryer Assembly VIS LIGHT ON/OFF/ON
5	DSA-VIS-POWR	Switch, Dryer Assembly VIS POWER ON/OFF
6	DSA-VIS-STOP	Switch, Dryer Assembly VIS STOP
7	DSA-VIS-STRT	Switch, Dryer Assembly VIS START ON/OFF
8	D03-0595	Screen, SCR Digital Encoder 31 Position Push Button HI/LOW Used ON
9	DSA-VIS-BURN	Switch, Dryer Assembly VIS BURNER ON/OFF/ON



Item	Part Number	Description
1	D03-0181	Filter, RFI "B" Series
2	D01-0531-BLK	Terminal, Block Entrelec 4 mm 22-10 AWG Black
3	D01-0531-WHT	Terminal, Block Entrelec 4 mm 22-10 AWG White
4	D01-0531-BRN	Terminal, Block Entrelec 4 mm 22-10 AWG Brown
5	D01-0531-BLK	Terminal, Block Entrelec 4 mm 22-10 AWG Black
6	D01-0534	Terminal, Entrelec Grnd Block
7	VIS-FLASH-DR	Thumb Drive, USB Vision/DTP+ Controls
8	D03-0805-30W	Touch Control, 12VDC 30W Power Supply DELTA



Item	Part Number for 230V	Part Number for 480V	Part Number for 575V	Description
1	GT3-1460	GT3-1459	GT3-1385	VFD
2	GT3-1276	GT3-1388	GT3-1387	VFD Breaker
3	GT3-1300	GT3-1286	GT3-1298	10HP Load Starter
4	GT3-1297	GT3-1296	GT3-1295	3HP Unload Starter
5	GT3-1297	GT3-1297	GT3-1297	Blower Sampler Motor Starter
6	NA	GT3-1627	GT3-1630	Blower Sampler Transformer Circuit Breaker!
7	GT3-0975	GT3-0976	GT3-0976	Line Reactor

1. Not needed with 230V Control Box.

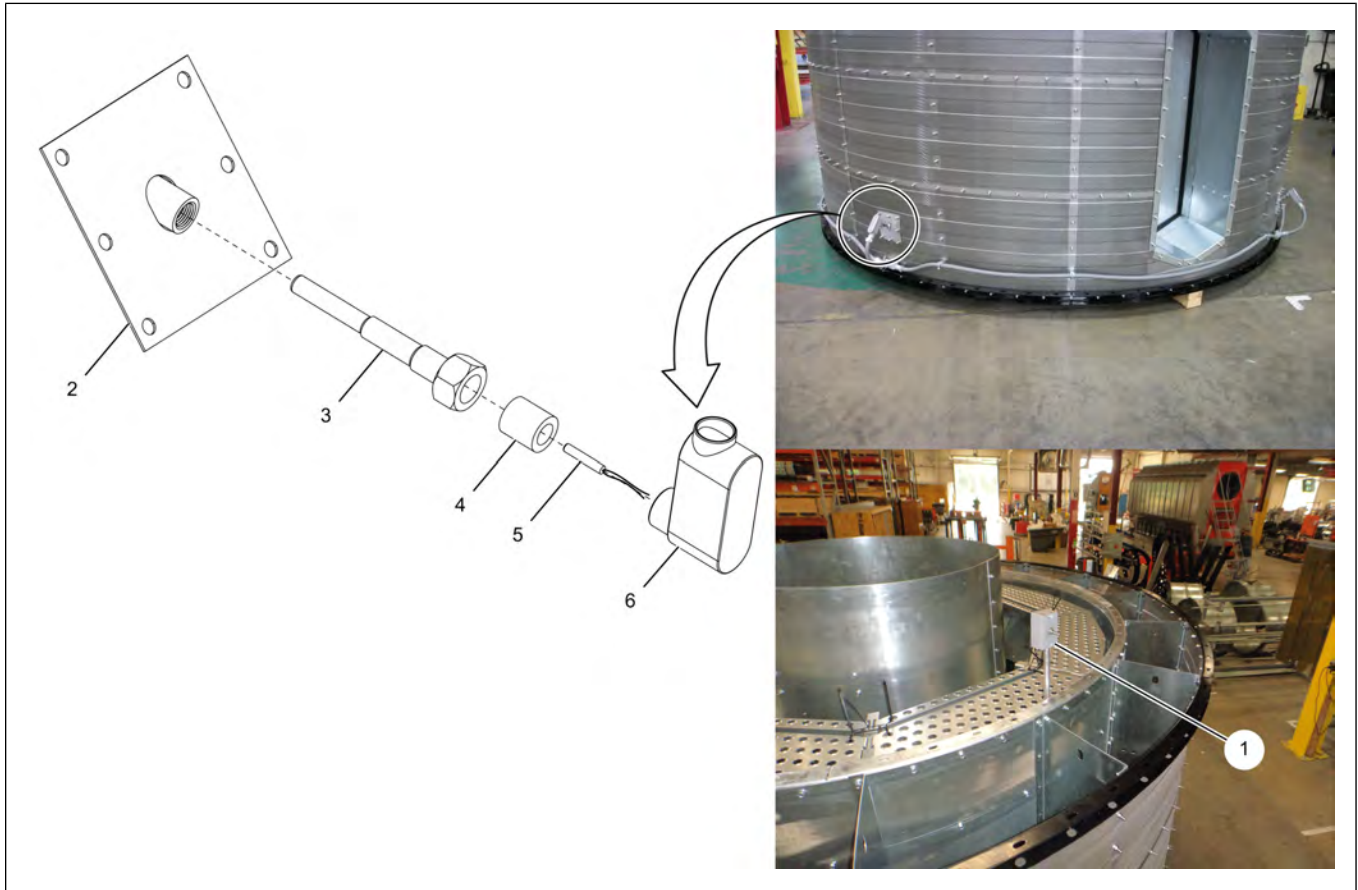
10 Sensors

Topics Covered in this Chapter

- Sensors

Sensors

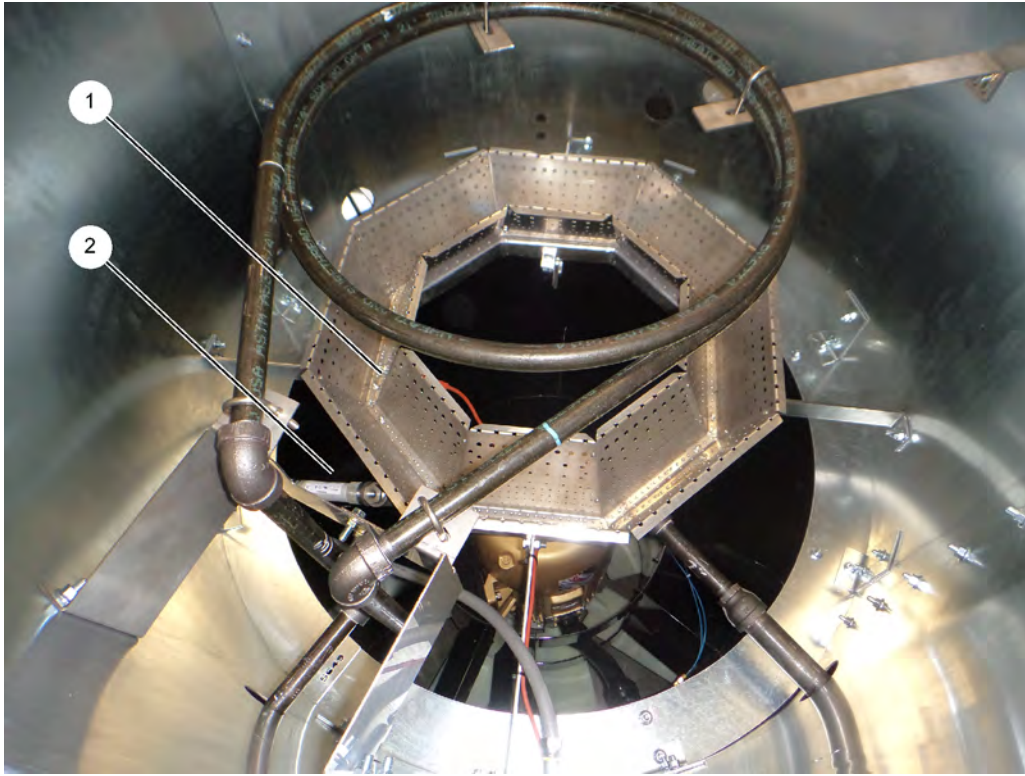
Figure 10-1 Plenum Temperature Sensor (GT4-0041)



Item	Part Number	Description
1	GT4-0041	Plenum Temperature Sensor
2	815-1383-0	RTD Probe Mount Weldment
3	GT3-1705	Thermowell, 6 in. Long 1/2 in. NPT SS
4	GT3-0237	Nipple, Conduit 1/2 in. x Close
5	D03-0258	Sensor, Grain Temperature Thermistor
6	GT3-0233	Cover, Conduit Body 1/2 in. LB with Cover

NOTE: This sensor (1) is located in the **Burner Blower** Section.

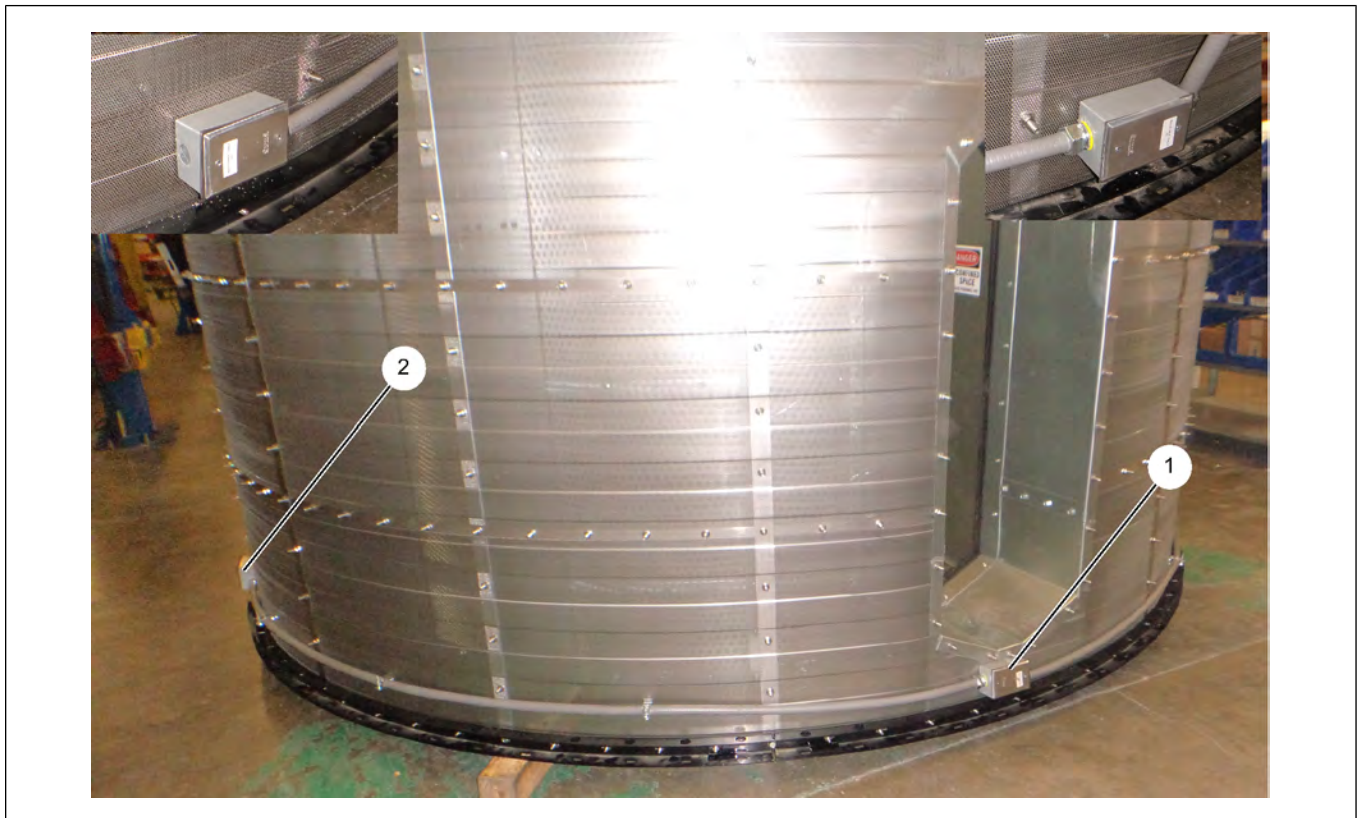
Figure 10-2 Ignitor (HH-1485) and UV Flame Sensor (GT3-1548)



Item	Part Number	Description
1	HH-1485	Ignitor
2	GT3-1548	UV Flame Sensor

NOTE: These are located in the **Burner Blower Section**.

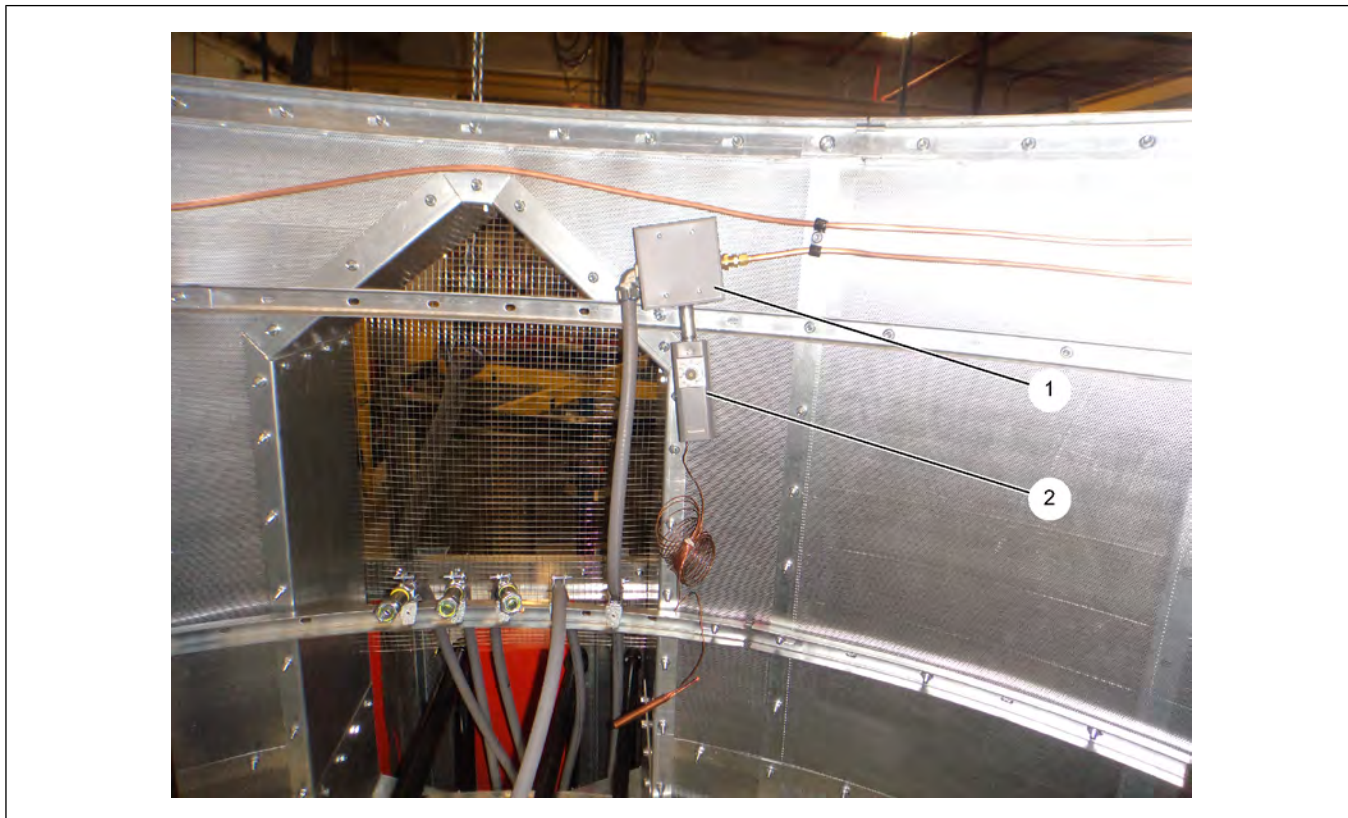
Figure 10-3 Grain Temperature 4 Sensor (GT4-7180)



Item	Part Number	Description
1	GT4-7180	Grain Temperature 4 Sensor

NOTE: This sensor is located 90° apart around the circumference of the **door** section.

Figure 10-4 *Inside Overheat Sensor (GT4-0148) and Adjustable High Limit (756-1026-1)*



Item	Part Number	Description
1	GT4-0148	Inside Overheat Sensor
2	756-1026-1	Adjustable High Limit

NOTE: *These are located in the inside of the **Unload** Section.*

Figure 10-5 Outside Overheat Sensor (GT4-0148) and Wet Moisture Sensor (GT4-7187-2)



Item	Part Number	Description
1	GT4-7187-2	Wet Moisture Sensor
2	GT4-0148	Outside Overheat Sensor

NOTE: These sensors are located on the **Roof** Section.

NOTES

Limited Warranty — N.A. Grain Products

The GSI Group, LLC. ("GSI") warrants products which it manufactures, to be free of defects in materials and workmanship under normal usage and conditions for a period of 12 months from the date of shipment (or, if shipped by vessel, 14 months from the date of arrival at the port of discharge). If, in GSI's sole judgment, a product is found to have a defect in materials and/or workmanship, GSI will, at its own option and expense, repair or replace the product or refund the purchase price. This Limited Warranty is subject to extension and other terms as set forth below.

Warranty Enhancements: The warranty period for the following products is enhanced as shown below and is in lieu of (and not in addition to) the above stated warranty period. (Warranty Period is from date of shipment.)

	Product	Warranty Period
Storage	Grain Bin Structural Design • Sidewall, roof, doors, platforms and walkarounds • Flooring (when installed using GSI specified floor support system for that floor) • Hopper tanks (BFT, GHT, NCHT, and FCHT)	5 Years
Conditioning	Dryer Structural Design – (Tower, Portable and TopDry) • Includes (frame, portable dryer screens, ladders, access doors and platforms)	5 Years
	All other Dryer parts including: • Electrical (controls, sensors, switches and internal wiring)	2 Years
	All Non-PTO Driven Centrifugal and Axial Fans	3 Years
	Bullseye Controllers	2 Years
Material Handling	Bucket Elevators Structural Design	5 Years
	Towers Structural Design	5 Years
	Catwalks Structural Design	5 Years
	Accessories (stairs, ladders and platforms) Structural Design	5 Years

Conditions and Limitations:

THERE ARE NO WARRANTIES THAT EXTEND BEYOND THE LIMITED WARRANTY DESCRIPTION SET FORTH HEREIN; SPECIFICALLY, GSI DISCLAIMS ANY AND ALL OTHER WARRANTIES OF ANY KIND, EXPRESS OR IMPLIED, INCLUDING, WITHOUT LIMITATION, WARRANTIES OF MERCHANTABILITY OR FITNESS FOR A PARTICULAR PURPOSE OR USE IN CONNECTION WITH: (I) ANY PRODUCT MANUFACTURED OR SOLD BY GSI, OR (II) ANY ADVICE, INSTRUCTION, RECOMMENDATION OR SUGGESTION PROVIDED BY AN AGENT, REPRESENTATIVE OR EMPLOYEE OF GSI REGARDING OR RELATED TO THE CONFIGURATION, INSTALLATION, LAYOUT, SUITABILITY FOR A PARTICULAR PURPOSE, OR DESIGN OF SUCH PRODUCTS.

The sole and exclusive remedy for any claimant is set forth in this Limited Warranty and shall not exceed the amount paid for the product purchased. This Warranty only covers the value of the warranted parts and equipment, and does not cover labor charges for removing or installing defective parts, shipping charges with respect to such parts, any applicable sales or other taxes, or any other charges or expenses not specified in this Warranty. GSI shall not be liable for any other direct, indirect, incidental or consequential damages, including, without limitation, loss of anticipated profits or benefits. Expenses incurred by or on behalf of a claimant without prior written authorization from the GSI warranty department shall not be reimbursed. This warranty is not transferable and applies only to the original end-user. GSI shall have no obligation or responsibility for any representations or warranties made by or on behalf of any dealer, agent or distributor. Prior to installation, the end-user bears all responsibility to comply with federal, state and local codes which apply to the location and installation of the products.

This Limited Warranty extends solely to products sold by GSI and does not cover any parts, components or materials used in conjunction with the product, that are not sold by GSI. GSI assumes no responsibility for claims resulting from construction defects, unauthorized modifications, corrosion or other cosmetic issues caused by storage, application or environmental conditions. Modifications to products not specifically delineated in the manual accompanying the product at initial sale will void all warranties. This Limited Warranty shall not extend to products or parts which have been damaged by negligent use, misuse, alteration, accident or which have been improperly/inadequately maintained.

Notice Procedure:

In order to make a valid warranty claim a written notice of the claim must be submitted, using the RMA form, within 60 days of discovery of a warrantable nonconformance. The RMA form is found on the OneGSI portal.

Service Parts:

GSI warrants, subject to all other conditions described in this Warranty, Service Parts which it manufactures for a period of 12 months from the date of purchase unless specified in Enhancements above.

This equipment shall be installed in accordance with the current installation codes and applicable regulations which should be carefully followed in all cases. Authorities having jurisdiction should be consulted before installations are made.



1004 E. Illinois St.
Assumption, IL 62510-0020
Phone: 1-217-226-4421
Fax: 1-217-226-4420
www.gsiag.com

