

Tower Dryer Burner Access Platform

Installation Manual

PNEG-2065

Version: 2.1

Date: **09-29-20**



PNEG-2065

All information, illustrations, photos, and specifications in this manual are based on the latest information available at the time of publication. The right is reserved to make changes at any time without notice.

Contents

Chapter 1 Safety	4
Safety Guidelines	4
Cautionary Symbols Definitions	5
Safety Cautions	6
Safety Sign-Off Sheet	9
Chapter 2 Door and Burner Can Assembly	10
Assembling the Door	10
Assembling the Burner Can	11
Chapter 3 18' Diameter Tower Dryer Burner Access Platform Installation	14
Install the Platform to the Outside of the Burner Can	14
Chapter 4 24' Diameter Tower Dryer Burner Access Platform Installation	19
Install the Platform to the Outside of the Burner Can	19
24' Diameter Tower Dryer Burner Door Location	23
Chapter 5 12K Capacity Tower Dryer Burner Access Platform Installation	24
Install the Platform to the Outside of the Burner Can	24
12K Capacity Tower Dryer Burner Access Door Location	28
Chapter 6 Warranty	29

Safety Guidelines

Safety guidelines are general-to-specific safety rules that must be followed at all times. This manual is written to help you understand safe operating procedures and problems that can be encountered by the operator and other personnel when using this equipment. Save these safety guidelines for future reference.

As owner or operator, you are responsible for understanding the requirements, hazards, and precautions that exist and to inform others as required. Unqualified persons must stay out of the work area at all times.

Alterations must not be made to the equipment. Alterations can produce dangerous situations resulting in **SERIOUS INJURY** or **DEATH**.

This equipment must be installed in accordance with the current installation codes and applicable regulations, which must be carefully followed in all cases. Authorities having jurisdiction must be consulted before installations are made.

When necessary, you must consider the installation location relative to electrical, fuel and water utilities.

Personnel operating or working around equipment must read this manual. This manual must be delivered with equipment to its owner. Failure to read this manual and its safety instructions is a misuse of the equipment.

ST-0001-3

Cautionary Symbols Definitions

Cautionary symbols appear in this manual and on product decals. The symbols alert the user of potential safety hazards, prohibited activities and mandatory actions. To help you recognize this information, we use the symbols that are defined below.



This symbol indicates an imminently hazardous situation which, if not avoided, **will result in serious injury or death.**



This symbol indicates a potentially hazardous situation which, if not avoided, **can result in serious injury or death.**



This symbol indicates a potentially hazardous situation which, if not avoided, **can result in minor or moderate injury.**



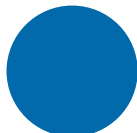
This symbol is used to address practices not related to personal injury.



This symbol indicates a general hazard.



This symbol indicates a prohibited activity.



This symbol indicates a mandatory action.

ST-0005-2

Safety Cautions

Use Personal Protective Equipment

- Use appropriate personal protective equipment:

Eye Protection



Respiratory Protection



Foot Protection



Hearing Protection



Head Protection



Fall Protection



Hand Protection



- Wear clothing appropriate to the job.
- Remove all jewelry.
- Tie long hair up and back.

ST-0004-1

Follow Safety Instructions

- Carefully read all safety messages in this manual and safety signs on your machine. Keep signs in good condition. Replace missing or damaged safety signs. Be sure new equipment components and repair parts include the current safety signs. Replacement safety signs are available from the manufacturer.
- Learn how to operate the machine and how to use controls properly. Do not let anyone operate without instruction.
- If you do not understand any part of this manual or need assistance, contact your dealer.



ST-0002-1

Maintain Equipment and Work Area

- Understand service procedures before doing work. Keep area clean and dry.
- Never service equipment while it is operating. Keep hands, feet, and clothing away from moving parts
- Keep your equipment in proper working condition. Replace worn or broken parts immediately.



ST-0003-1

Stay Clear of Hoisted Equipment

- Always use proper lifting or hoisting equipment when assembling or disassembling equipment.
- Do not walk or stand under hoisted equipment.
- Always use sturdy and stable supports when needed for installation. Not following these safety precautions creates the risk of falling equipment, which can crush personnel and cause serious injury or death.



ST-0047-1

Install and Operate Electrical Equipment Properly

- Electrical controls must be installed by a qualified electrician and must meet the standards set by applicable local codes (National Electrical Code for the US, Canadian Electric Code, or EN60204 along with applicable European Directives for Europe).
- Lock-out power source before making adjustments, cleaning, or maintaining equipment
- Make sure all equipment and bins are properly grounded.



ST-0075-1

Sharp Edge Hazard

- This product has sharp edges, which can cause serious injury.
- To avoid injury, handle sharp edges with caution and always use proper protective clothing and equipment



ST-0036-2

Fall Hazard

- Keep access door closed while on a platform to avoid falls.
- Always use proper personal protective equipment and proper clothing when using equipment. Failure to follow safety precautions can result in severe injury or death.



ST-0042-2

1. Safety

Fall Hazard

- Ladders, stairways and platforms are for use by competent and trained personnel only. Do not allow children or other unauthorized persons to have access to the equipment.
- Access to the equipment must be restricted by the use of security fencing and lockable gates.
- Lower sections of ladders must be fitted with a lockable safety gate to prevent unauthorized access.
- Make sure that hot surfaces have had adequate time to cool before working on or in the equipment.
- Lock out and tag out power supplies and fuel supplies to all equipment.
- Do not attach lifting equipment to ladders or platforms.
- Do not go outside of the safety rails provided on elevated platforms.
- Do not work at heights during high winds, rain, snow, or ice storms.



ST-0056-1

Confined Space Hazards and Entry Procedures

- Note that the interior of this equipment is considered a confined space. Maintenance of this equipment can require access to the confined space.
- Access doors must be shut and locked except when access is required.
- Doors giving access to dangerous equipment must be safety interlocked.
- The following entry procedures must be followed:
 - Be aware of all possible hazards present inside the confined space and wear personal protective equipment (PPE) as needed.
 - Complete a permit to work and follow all permit required confined space entry procedures defined by the site manager.
 - Make sure that the area has been purged of any hazardous products or gases. Check the atmosphere for harmful gases or vapors with a suitable gas analyzer and make sure levels are safe before entering.
 - Do not smoke or use naked flames.
 - Lock out and tag out power supplies and fuel supplies to all equipment.
 - Do not work alone. Work in teams of at least three so that help is immediately available in the event of an emergency.
 - Confirm that all personnel have safely exited the equipment and tools have been recovered once work is complete.



ST-0055-1

2. Door and Burner Can Assembly

Assembling the Door

1. Assemble the baffle connector (B) and the top hinge (E) to the access door (A) using bolt (G) and nut (H).
2. Attach the bottom hinge (F) to the access door (A) using bolt (G) and nut (H).
3. Attach the latch assembly (I) to the access door (A).
4. Attach the baffle (D) to the top angle (C) using bolt (G) and nut (H). *(See Figure 2A.)*

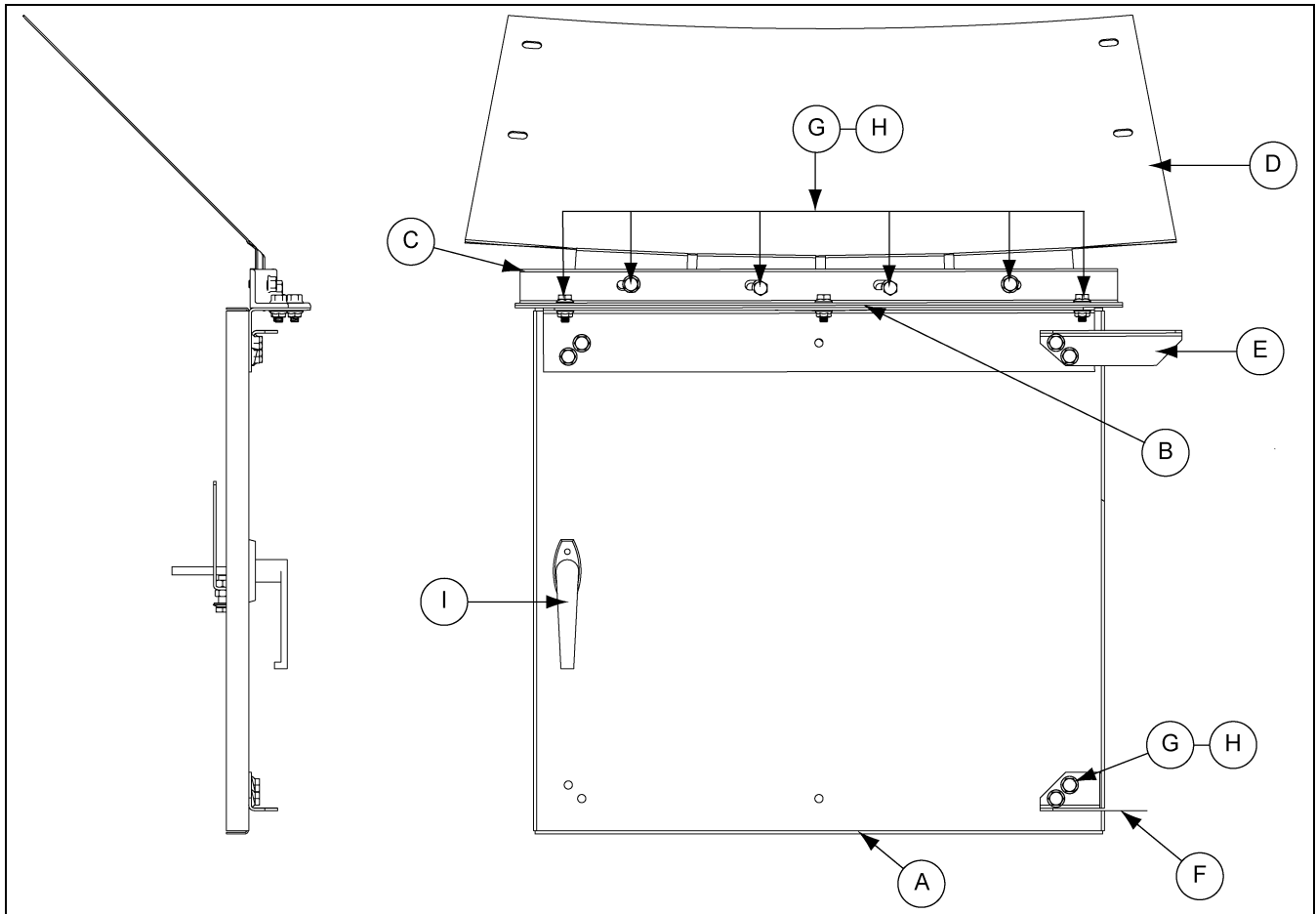


Figure 2A

Ref #	Part #			Description
	18' Diameter	24' Diameter and 10K Capacity Dryer	12K Capacity Dryer	
A	GT1-2343	GT1-2343	GT1-2473	Rear Access Door
B	GT1-2461	GT1-2337	GT1-2467	Baffle Connector Burner Access
C	GT1-2462	GT1-2341	GT1-2466	Top Angle Section
D	GT1-2463	GT1-2396	GT1-2470	Baffle Burner Access Door
E	GT1-2340	GT1-2340	GT1-2340	Top Hinge Burner Access Door
F	GT1-2339	GT1-2339	GT1-2339	Bottom Hinge Burner Access Door
G	S-6606	S-6606	S-6606	Flange Bolt 5/16"-18 x 3/4" ZN Grade 5
H	S-10268	S-10268	S-10268	Flange Nut 5/16"-18 JS500 Grade 5
I	ACD-4513	ACD-4513	ACD-4513	Latch Assembly

Assembling the Burner Can

1. Assemble the burner housing sheets (E and F). Remove the material to be cut from the door sheet (F) before assembling to the other burner housing sheets.
2. Attach the burner rings (A, B, C, and D) to the outside the burner sheets (E and F) at the same time as the baffles (H and I).

NOTE: Make sure to assemble the top angle ring with the top leg of angle oriented down.

NOTE: Make sure to use appropriate angle ring on each side of door opening (B and D). Start on each side of the door opening and work around the burner can.

3. Install the angle ring (G) to the burner can below door opening using bolt (J) and nut (K).
(See Figure 2B.)

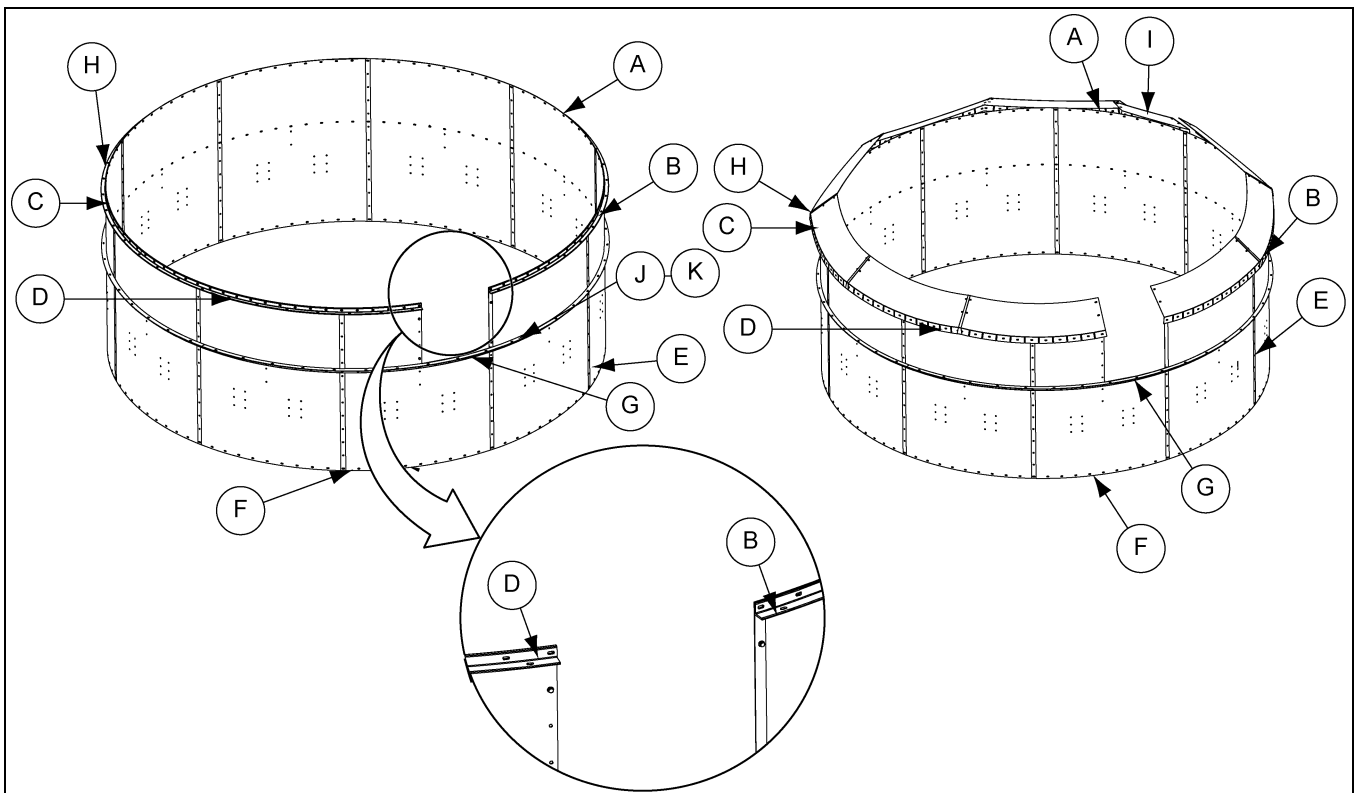


Figure 2B

Ref #	Part #			Description
	18' Diameter	24' Diameter and 10K Capacity Dryer	12K Capacity Dryer	
A	-	GT1-0379-R1	GT1-1138-R1	Burner Ring, Rold Segment - (90°) 1 st Half
B	GT1-2460	GT1-2399	GT1-2469	Burner Ring, Rold Segment - Burner Access R.H.
C	-	GT1-0379-R2	GT1-1138-R1	Burner Ring, Rold Segment - (90°) 2 nd Half
D	GT1-2459	GT1-2398	GT1-2468	Burner Ring, Rold Segment - Burner Access L.H.
E	GT1-0118 (7)	GT1-0413 (9)	GT1-2002 (9)	Sheet, Burner Housing
F	GT1-2475	GT1-2350	GT1-2474	Burner Panel Access Door
G	GT1-0121 (2)	GT1-0379-R (2)	GT1-1138-R1 (4)	Burner Ring, Half Assembly
H	GT1-0238 (7)	GT1-0367 (9)	GT1-2012 (9)	Baffle, Burner Housing
I	GT1-2464	GT1-2342	GT1-2471	Baffle, Burner Access Door
J	S-6606	S-6606	S-6606	Flange Bolt 5/16"-18 x 3/4" ZN Grade 5
K	S-10268	S-10268	S-10268	Flange Nut 5/16"-18 JS 500 Grade 5

2. Door and Burner Can Assembly

4. Install the hinge bracket (L) to the outside of the burner can and the door bracket (M) to the inside of the burner can at the door opening at the same time using bolt (J) and nut (K).
5. Install the side bracket (N) and the bottom flashing (O) to the door opening using bolt (J) and nut (K).
6. Assemble door assembly to the door hinge (L) using bolt (J) and nut (P). *(See Figure 2C.)*

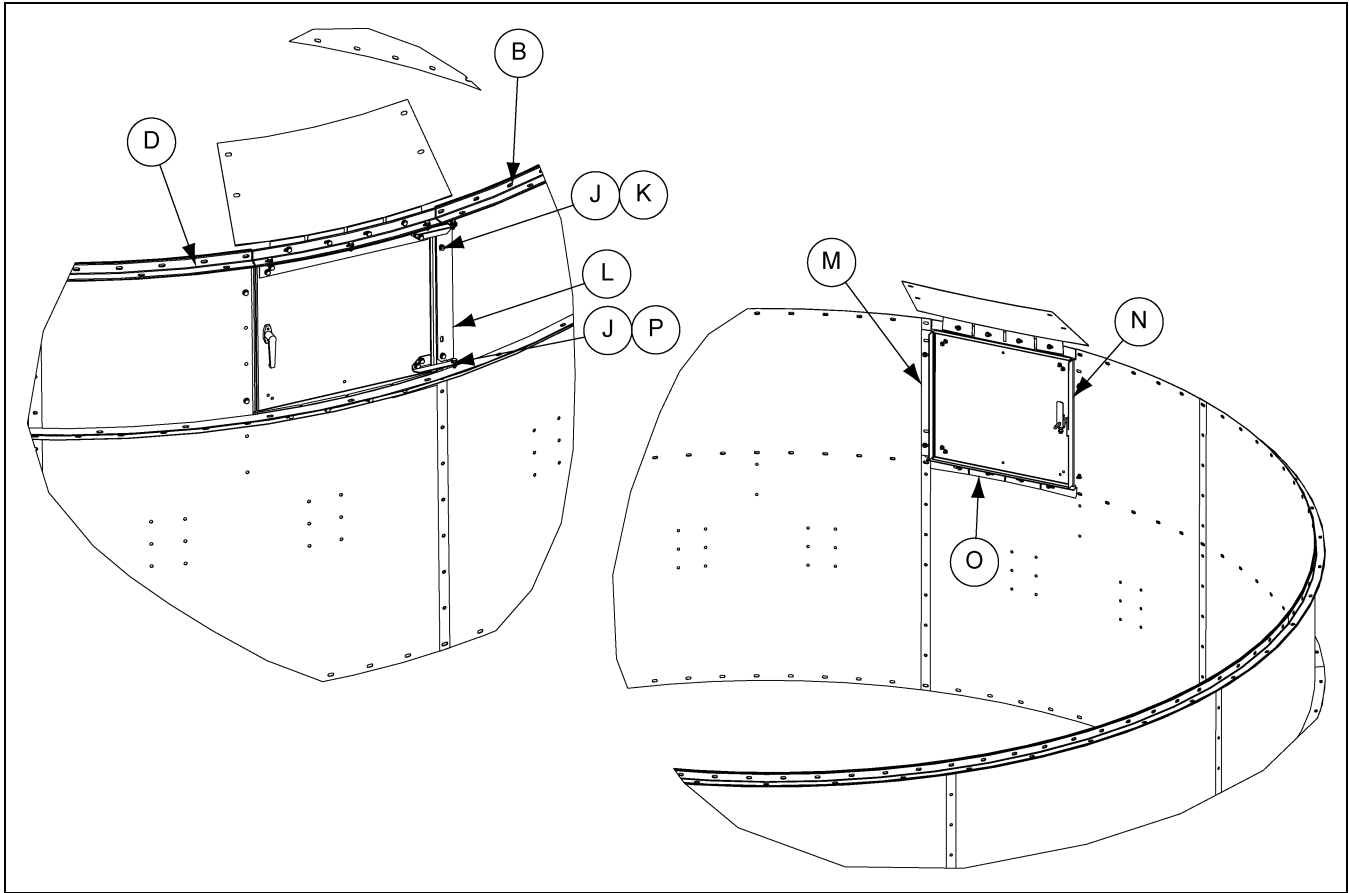


Figure 2C

Ref #	Part #			Description
	18' Diameter	24' Diameter and 10K Capacity Dryer	12K Capacity Dryer	
B	GT1-2460	GT1-2399	GT1-2469	Burner Ring, Rold Segment - Burner Access R.H.
D	GT1-2459	GT1-2398	GT1-2468	Burner Ring, Rold Segment - Burner Access L.H.
J	S-6606	S-6606	S-6606	Flange Bolt 5/16"-18 x 3/4" ZN Grade 5
K	S-10268	S-10268	S-10268	Flange Nut 5/16"-18 JS 500 Grade 5
L	GT1-2465	GT1-2347	GT1-2347	Hinge Bracket Operator Door
M	GT1-2400	GT1-2400	GT1-2400	Bracket, Burner Access Door
N	GT1-2346	GT1-2346	GT1-2346	Bracket, Reducer Door Side -24'
O	GT1-2395	GT1-2395	GT1-2472	Bottom Flashing, Burner Access Door
P	S-5220	S-5220	S-5220	Nylock Nut 5/16" ZN Grade 5

7. Assemble remainder of can, burner and reducer, making sure to orient the burner, so that the igniter and flame sensor are near the access door. (See Figure 2D.)

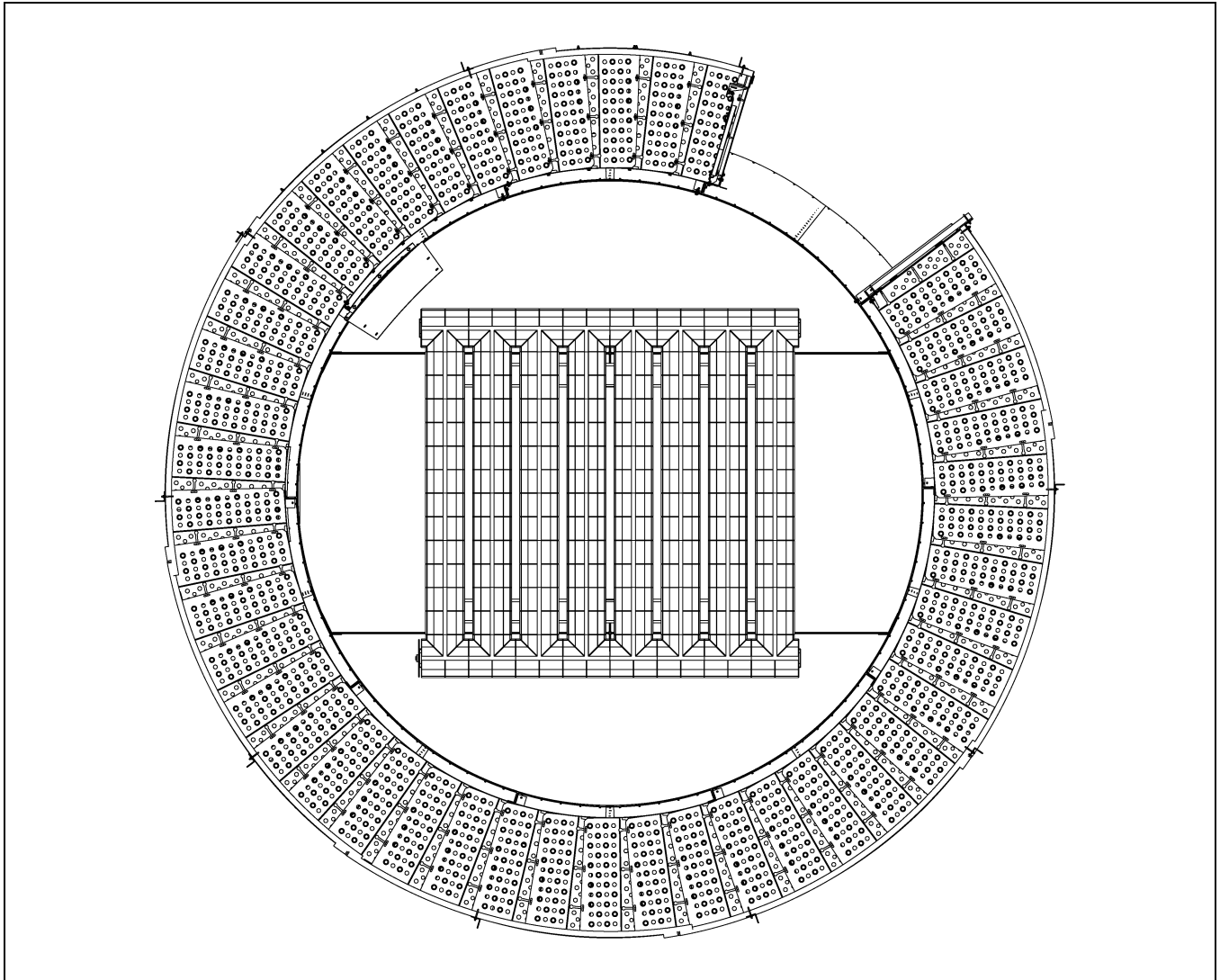


Figure 2D Top View

3. 18' Diameter Tower Dryer Burner Access Platform Installation

Install the Platform to the Outside of the Burner Can

NOTE: The ladder and gated edge of the platform is to be at least one full sheet from the access door to allow adequate space to open the door.

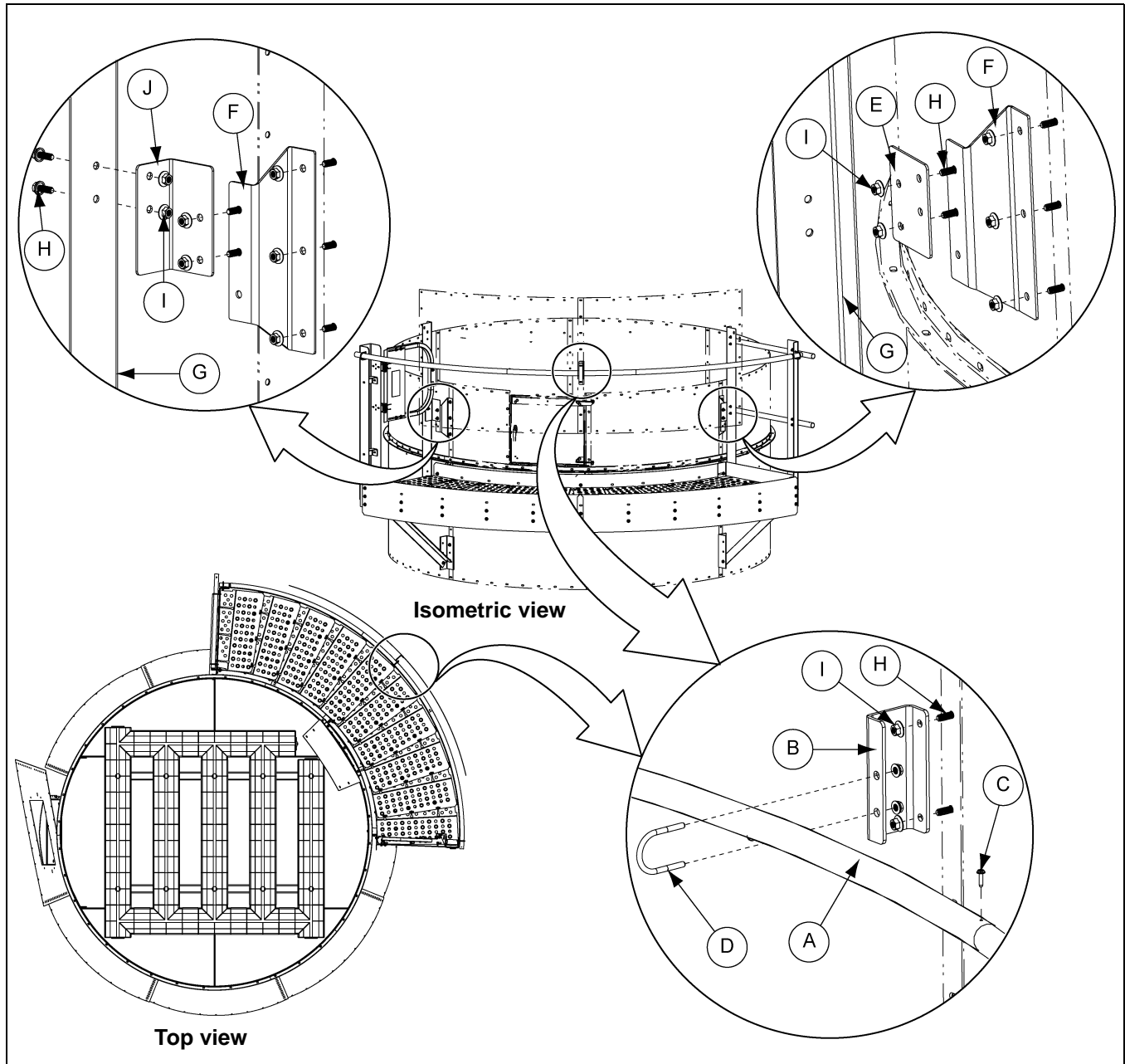


Figure 3A

Ref #	Part #	Description
A	GT1-2038-241	24' Inside Catwalk Handrail
B	GT1-2483	18' Handrail Burner Access Bracket
C	S-7466	Screw, SDS #10-16 x 3/4" HWH ZN
D	S-10171	Bolt, U-Bolt 5/16"-18
E	GT1-2485	Platform End Post Connector

Ref #	Part #	Description
F	GT1-2344	Bracket, Burner Access Platform to Burner Wall
G	GT1-2091	Plate, Swing Gate Stop
H	S-7485	3/8" x 1" Flange Bolt
I	S-968	3/8" Flange Nut
J	GT1-2484	Gate Post Connector

3. 18' Diameter Tower Dryer Burner Access Platform Installation

1. Install bracket (F) and clip (K) to the burner panel seam right below the bottom burner ring using bolt (H) and nut (I). (See Figure 3B.)

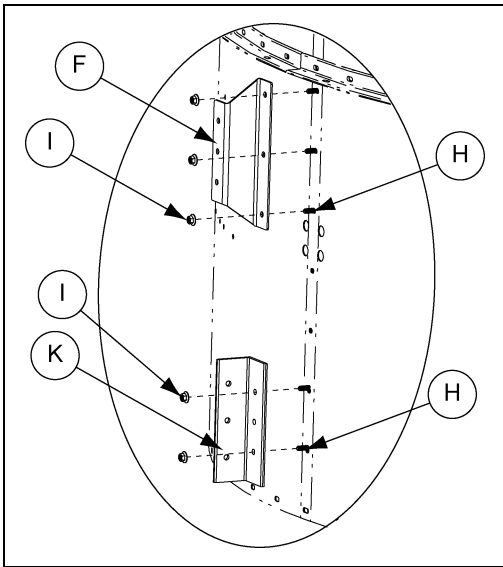


Figure 3B

Ref #	Part #	Description
F	GT1-2344	Bracket, Burner Access Platform to Burner Wall
H	S-7485	3/8" x 1" Flange Bolt
I	S-968	3/8" Flange Nut
K	GT1-2345-BS	Catwalk Support Clip

2. Install the inner toe board (L) and planks (M) to the wall brackets (F) using bolt (H) and nut (I). (See Figure 3C.)

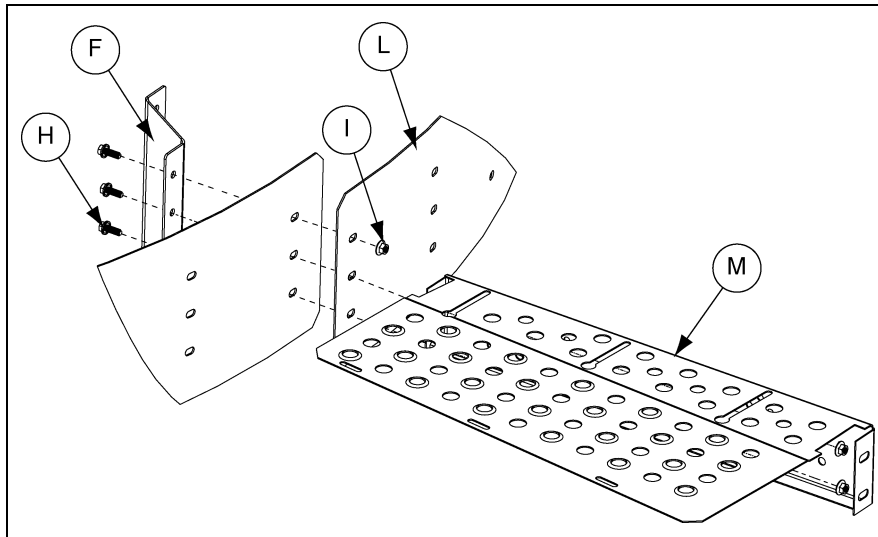


Figure 3C

Ref #	Part #	Description
F	GT1-2344	Bracket, Burner Access Platform to Burner Wall
H	S-7485	3/8" x 1" Flange Bolt
I	S-968	3/8" Flange Nut
L	GT1-2312B	Inner Toe Board - 18' Burner Platform
M	GT1-2033A	Plank, 18' Catwalk/Platform

3. 18' Diameter Tower Dryer Burner Access Platform Installation

3. Attach the planks (M) together using truss head bolt (N) and nut (O). Do not tighten yet to allow for adjustment. (See Figure 3D.)

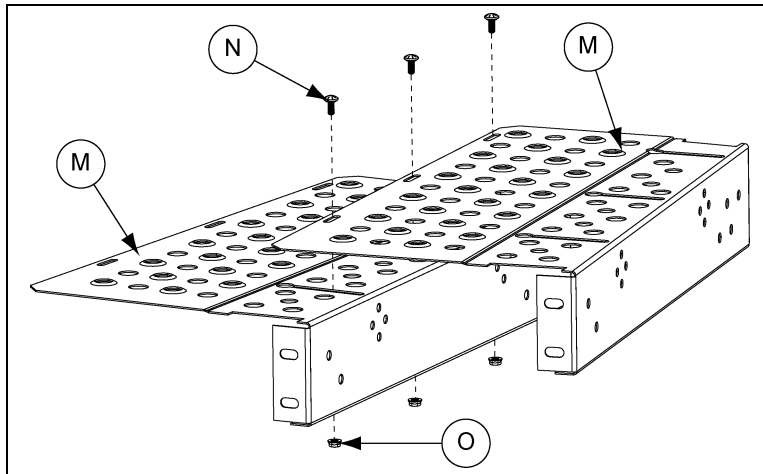


Figure 3D

Ref #	Part #	Description
M	GT1-2033A	Plank, 18' Catwalk/Platform
N	S-10267	5/16"-18 x 3/4" Truss Bolt
O	S-3611	5/16"-18 Flange Nut

4. Install the end toe board (P) to the end plank (M) using bolt (H) and nut (I). (See Figure 3E.)

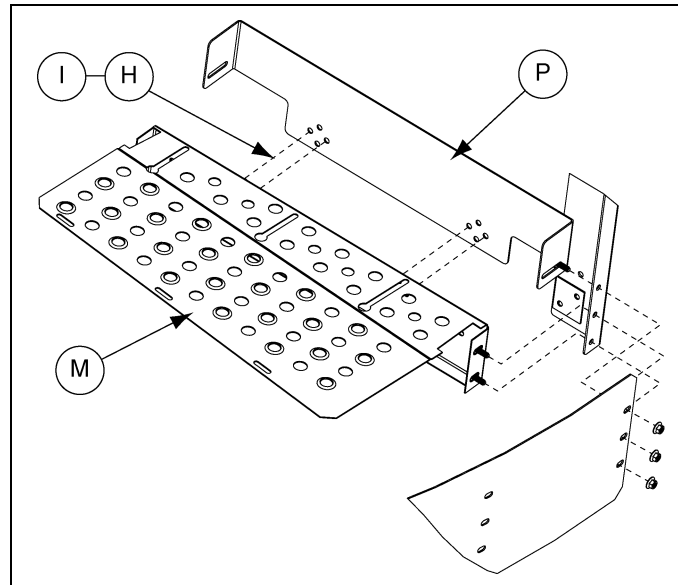


Figure 3E

Ref #	Part #	Description
H	S-7485	3/8" x 1" Flange Bolt
I	S-968	3/8" Flange Nut
M	GT1-2033A	Plank, 18' Catwalk/Platform
P	GT1-2095A	Toe Board, Platform End

3. 18' Diameter Tower Dryer Burner Access Platform Installation

5. Install the middle platform support (Q) to the wall clips (K) and a plank (M) using bolt (H) and nut (I).
6. Install the end platform supports to the wall clips (K), handrail posts (S), a shim (R) and the plank (M) using bolt (H) and nut (I).
7. Install the outer toe board to the planks (M). (See Figure 3F.)

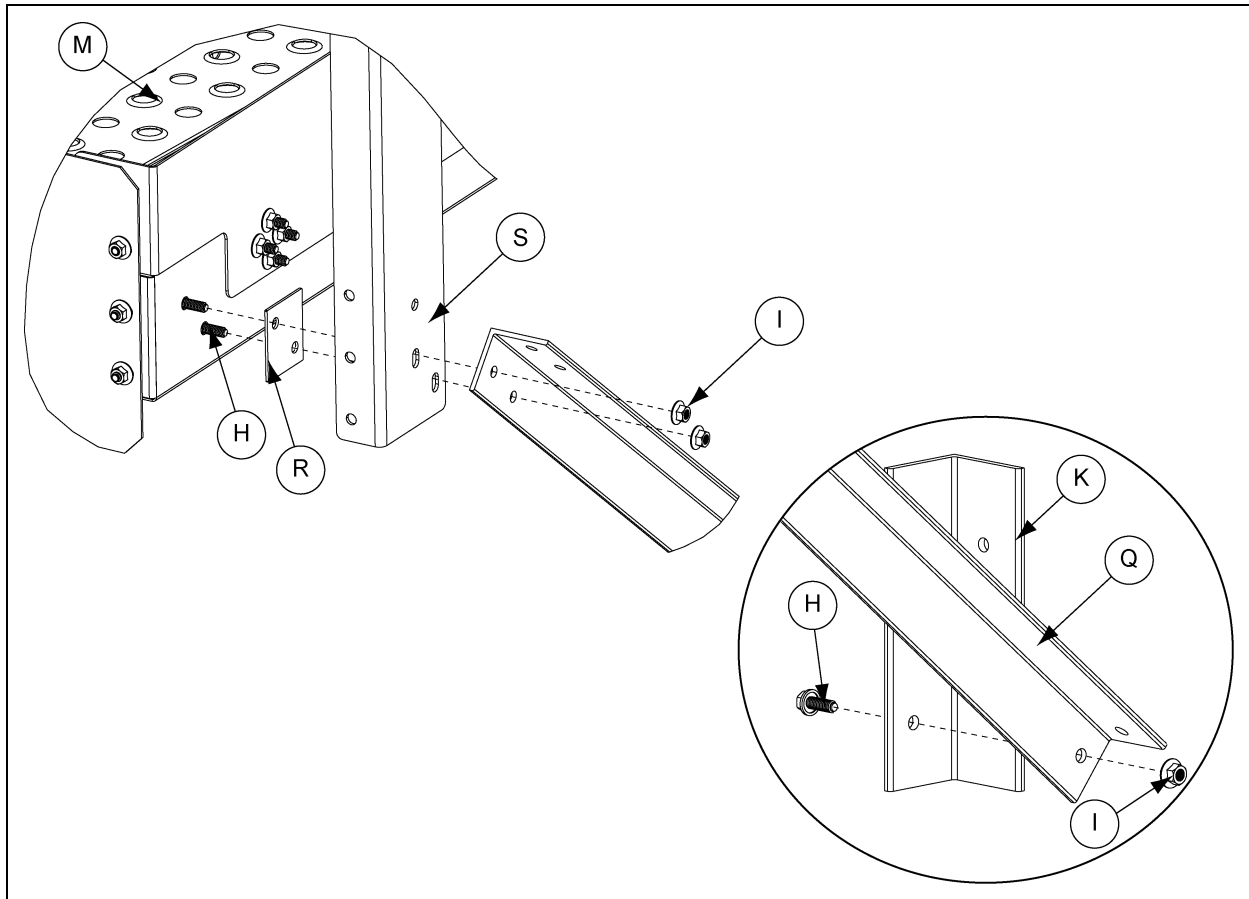


Figure 3F

Ref #	Part #	Description
H	S-7485	3/8" x 1" Flange Bolt
I	S-968	3/8" Flange Nut
K	GT1-2345-BS	Catwalk Support Clip
M	GT1-2033A	Plank, 18' Catwalk/Platform
Q	GT1-2358-BS	Burner Access Platform Diagonal Support
R	GT1-2478	Burner Access Handrail Shim
S	GT1-2477	Burner Access Handrail Post

3. 18' Diameter Tower Dryer Burner Access Platform Installation

8. Install the handrails (T) to the handrail posts (S) using U-bolts (D) and nut (O). (See Figure 3G.)

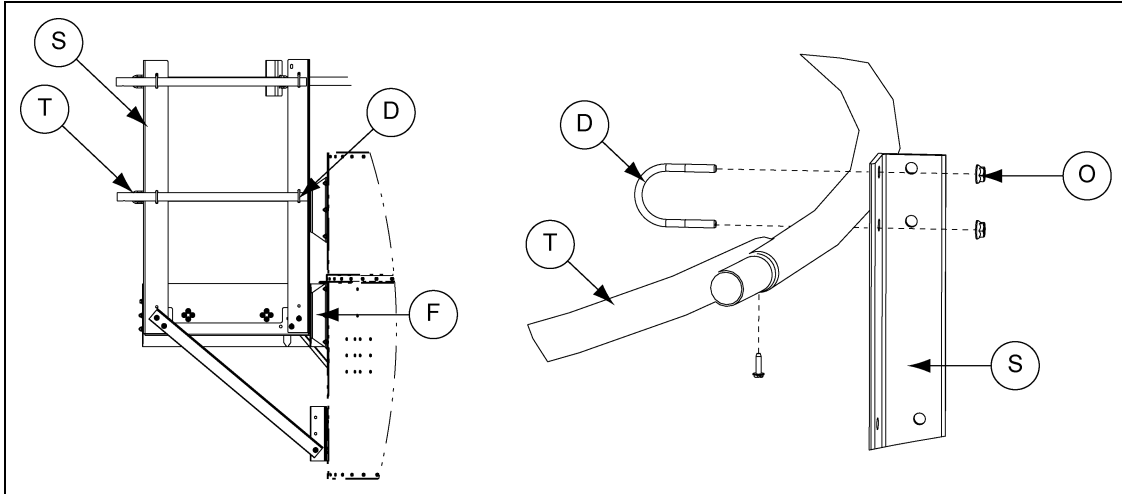


Figure 3G

Ref #	Part #	Description
D	S-10171	Bolt, U-Bolt 5/16"-18
F	GT1-2344	Bracket, Burner Access Platform to Burner Wall
O	S-3611	5/16"-18 Flange Nut
S	GT1-2477	Burner Access Handrail Post
T	GT1-2044A	Handrail, Platform End

9. Install the gate assembly (V) to the gate post (U). (See Figure 3H.)

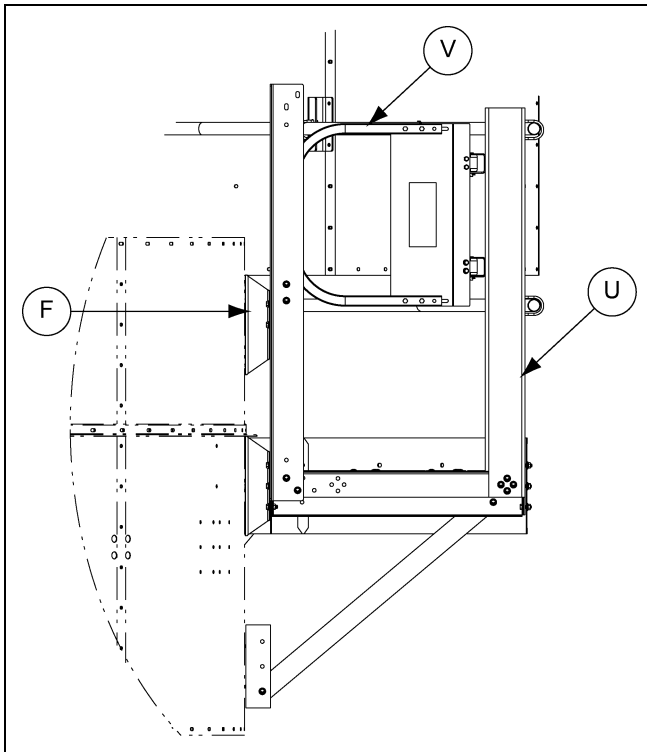


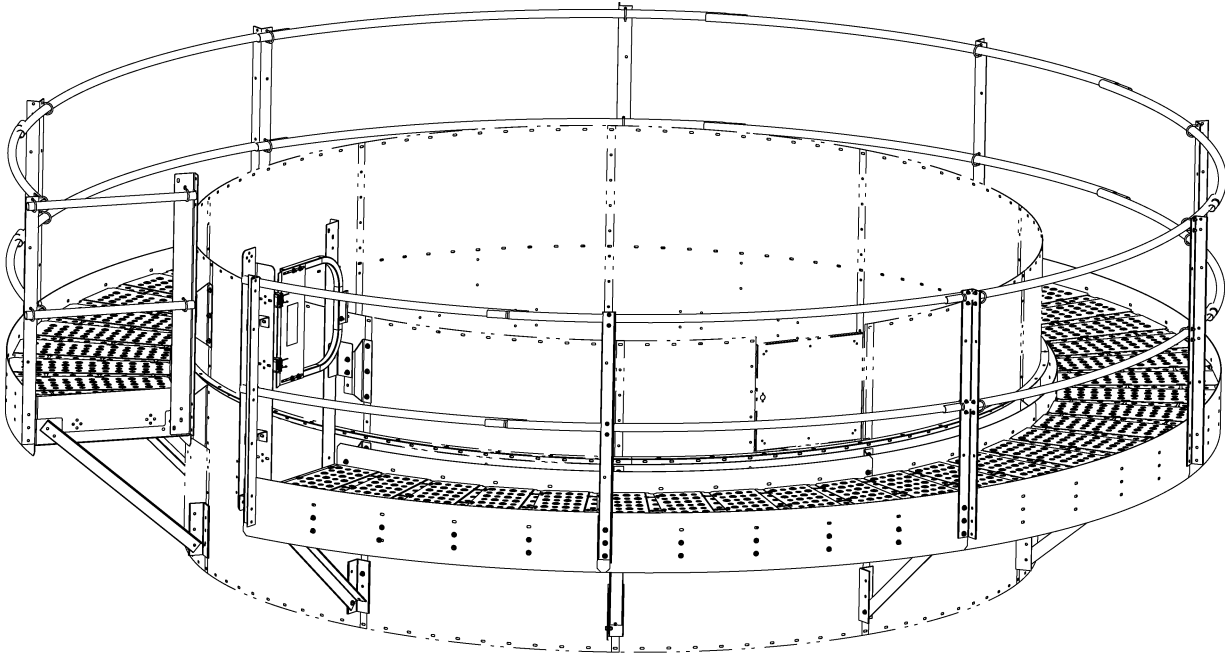
Figure 3H

Ref #	Part #	Description
F	GT1-2344	Bracket, Burner Access Platform to Burner Wall
U	GT1-2476	Burner Access Gate Post
V	LDR-5210	Safety Gate Assembly

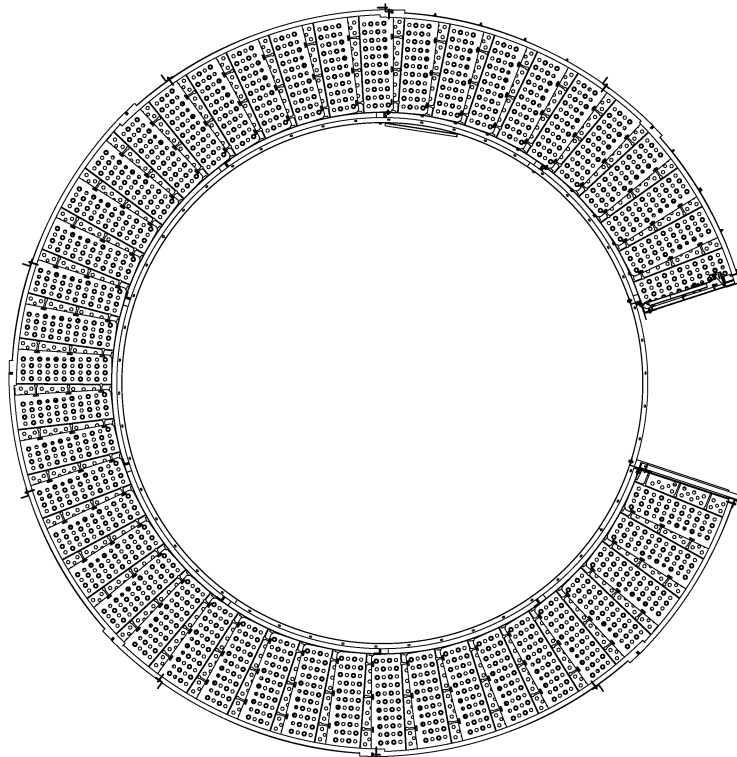
4. 24' Diameter Tower Dryer Burner Access Platform Installation

Install the Platform to the Outside of the Burner Can

NOTE: *The ladder and gated edge of the platform is to be at least one full sheet from the access door to allow adequate space to open the door.*



Isometric view



Top view

Figure 4A

4. 24' Diameter Tower Dryer Burner Access Platform Installation

1. Install bracket (A) and clip (B) to the burner panel seam right below the bottom burner ring using bolt (C) and nut (D). (See Figure 4B.)

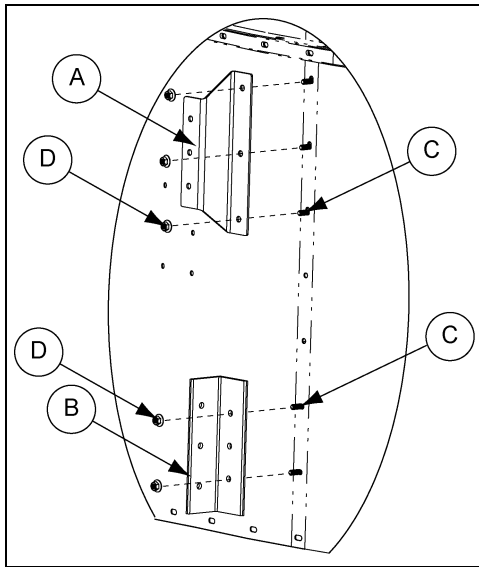


Figure 4B

Ref #	Part #	Description
A	GT1-2344	Bracket, Burner Access Platform to Burner Wall
B	GT1-2345-BS	Catwalk Support Clip
C	S-7485	3/8" x 1" Flange Bolt
D	S-968	3/8" Flange Nut

2. Install the inner toe board (E) and planks (F) to the wall brackets (A) using bolt (C) and nut (D). (See Figure 4C.)

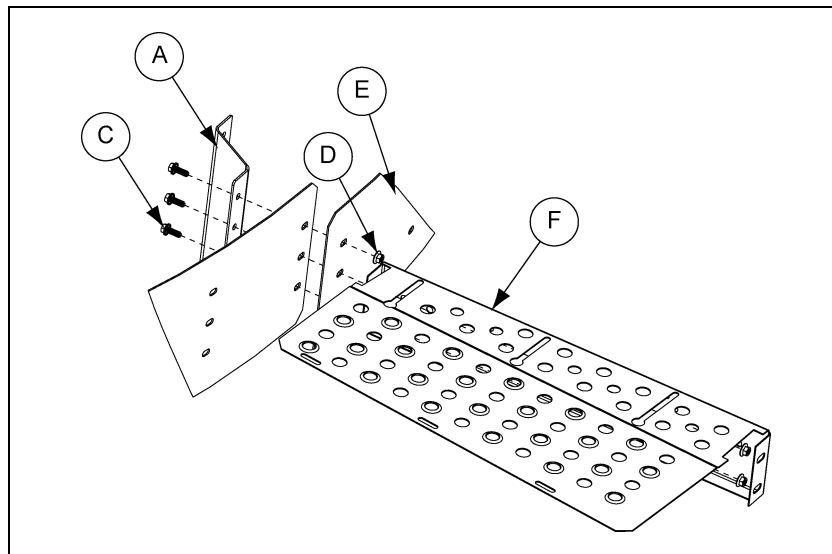


Figure 4C

Ref #	Part #	Description
A	GT1-2344	Bracket, Burner Access Platform to Burner Wall
C	S-7485	3/8" x 1" Flange Bolt
D	S-968	3/8" Flange Nut
E	GT1-2312A	Inner Toe Board 24' Burner Platform
F	GT1-2033A	Plank, 24' Catwalk/Platform

4. 24' Diameter Tower Dryer Burner Access Platform Installation

3. Attach the planks (F) together using truss head bolt (G) and nut (H). Do not tighten yet to allow for adjustment. (See Figure 4D.)

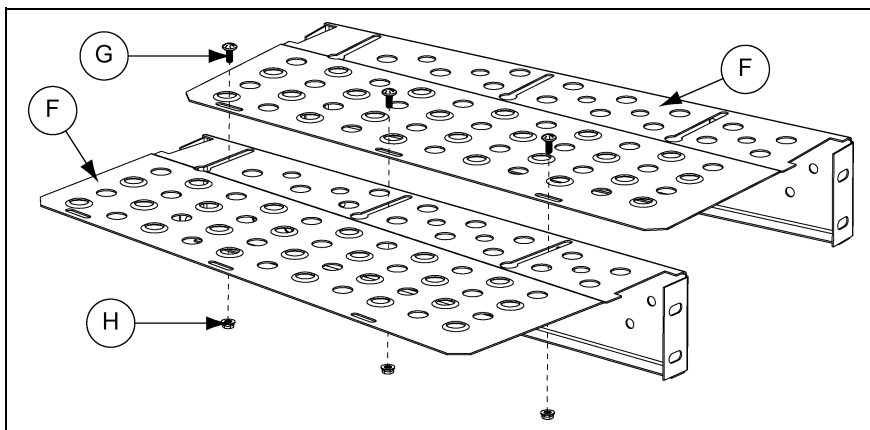


Figure 4D

Ref #	Part #	Description
F	GT1-2033A	Plank, 24' Catwalk/Platform
G	S-10267	5/16"-18 x 3/4" Truss Bolt
H	S-3611	5/16"-18 Flange Nut

4. Install the end toe board (I) to the end plank (F) using bolt (C) and nut (D). (See Figure 4E.)

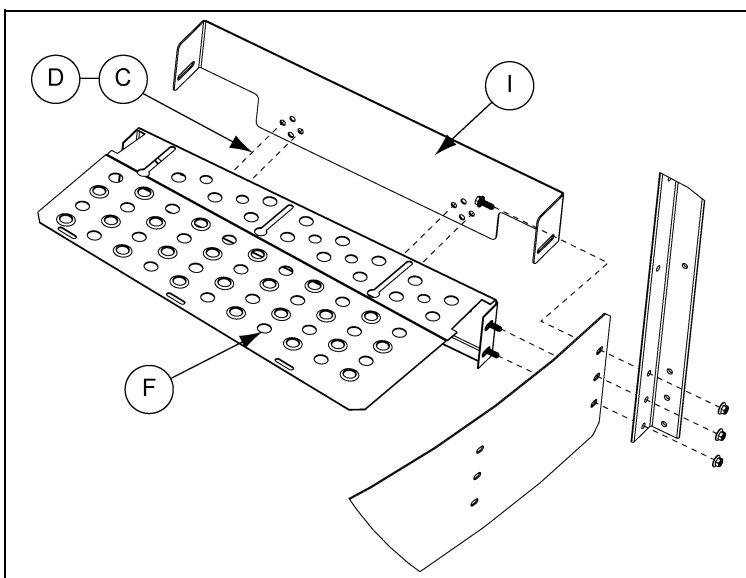


Figure 4E

Ref #	Part #	Description
C	S-7485	3/8" x 1" Flange Bolt
D	S-968	3/8" Flange Nut
F	GT1-2033A	Plank, 24' Catwalk/Platform
I	GT1-2095A	Toe Board, Platform End

4. 24' Diameter Tower Dryer Burner Access Platform Installation

5. Install the middle platform support to the wall clips (B) and a plank (F).
6. Install the end platform supports (J) to the wall clips (B), handrail posts, a shim and the plank (F).
7. Install the outer toe board to the planks (F). *(See Figure 4F.)*

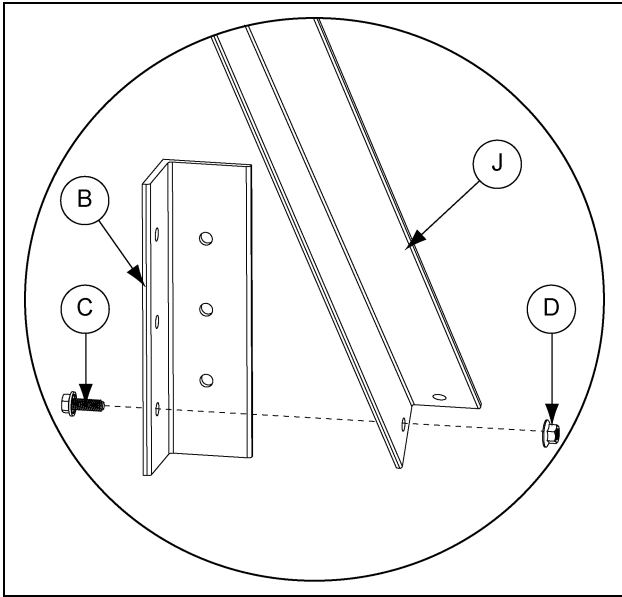


Figure 4F

Ref #	Part #	Description
B	GT1-2345-BS	Catwalk Support Clip
C	S-7485	3/8" x 1" Flange Bolt
D	S-968	3/8" Flange Nut
J	GT1-2358-BS	Burner Access Platform Diagonal Support

8. Install the handrails (K) to the handrail posts (L) using U-bolt (M) and nut (H). *(See Figure 4G.)*

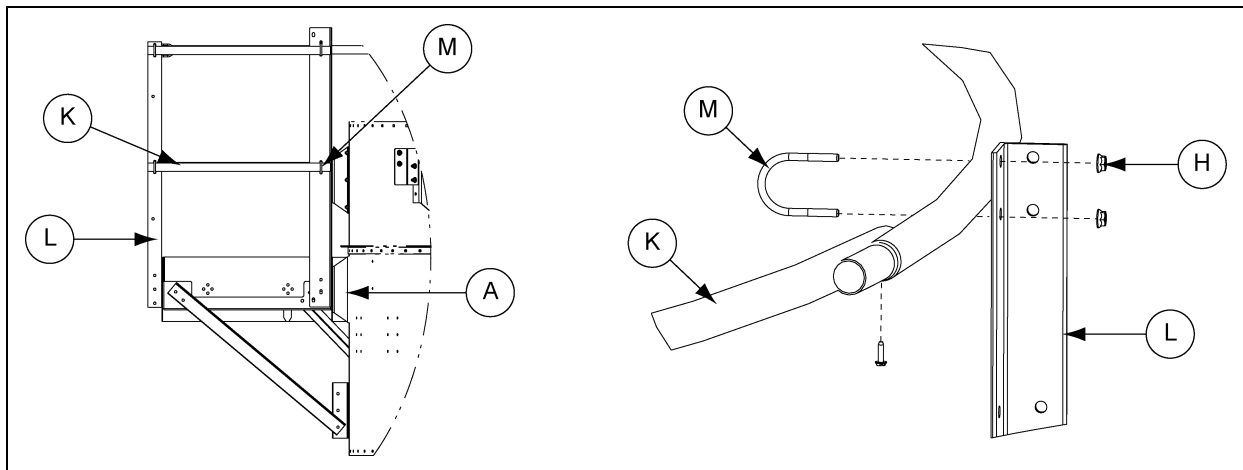


Figure 4G

Ref #	Part #	Description
A	GT1-2344	Bracket, Burner Access Platform to Burner Wall
H	S-3611	5/16"-18 Flange Nut
K	GT1-2044A	Handrail, Platform End
L	GT1-2037-BS	Handrail, Vertical Support
M	S-10171	Bolt, U-Bolt 5/16"-18

4. 24' Diameter Tower Dryer Burner Access Platform Installation

9. Install the gate assembly (N) to the gate post (O). (See Figure 4H.)

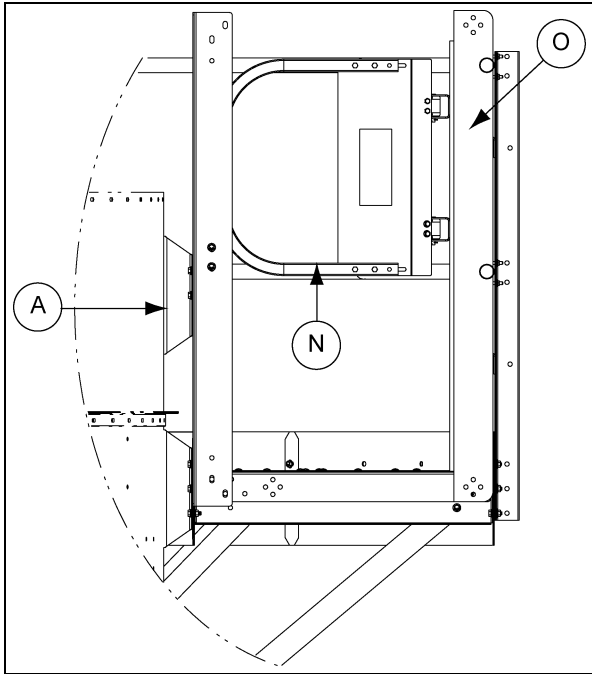


Figure 4H

Ref #	Part #	Description
A	GT1-2344	Bracket, Burner Access Platform to Burner Wall
N	LDR-5210	Safety Gate Assembly
O	GT1-2087	Support, Swing Gate

24' Diameter Tower Dryer Burner Door Location

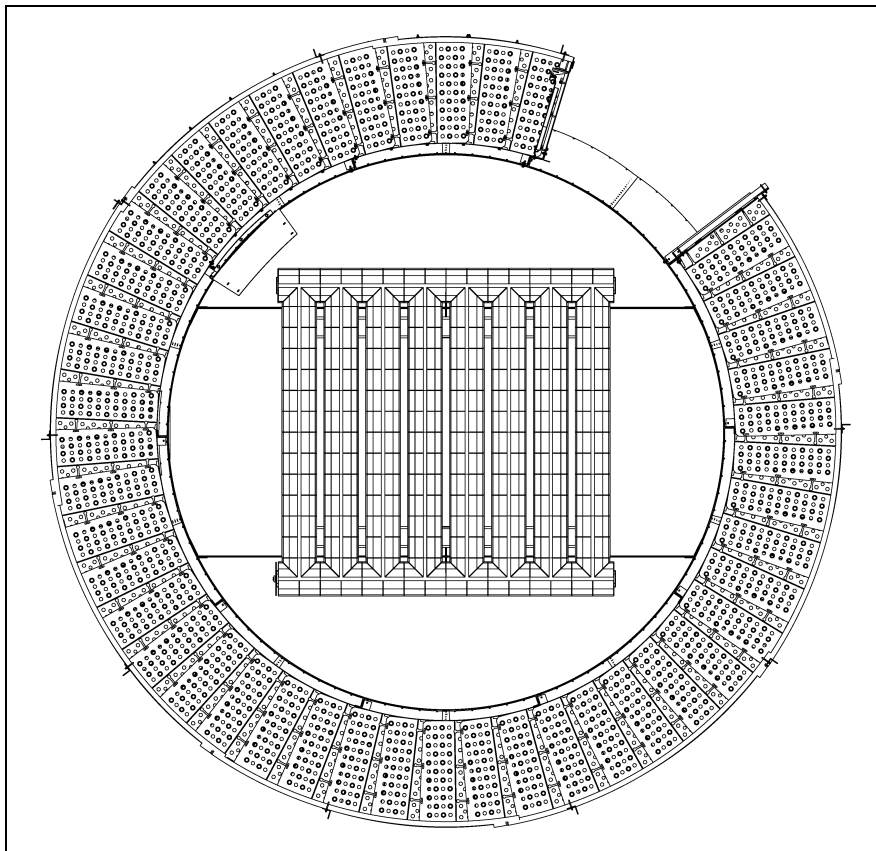


Figure 4I

5. 12K Capacity Tower Dryer Burner Access Platform Installation

Install the Platform to the Outside of the Burner Can

NOTE: The ladder and gated edge of the platform is to be at least one full sheet from the access door to allow adequate space to open the door.

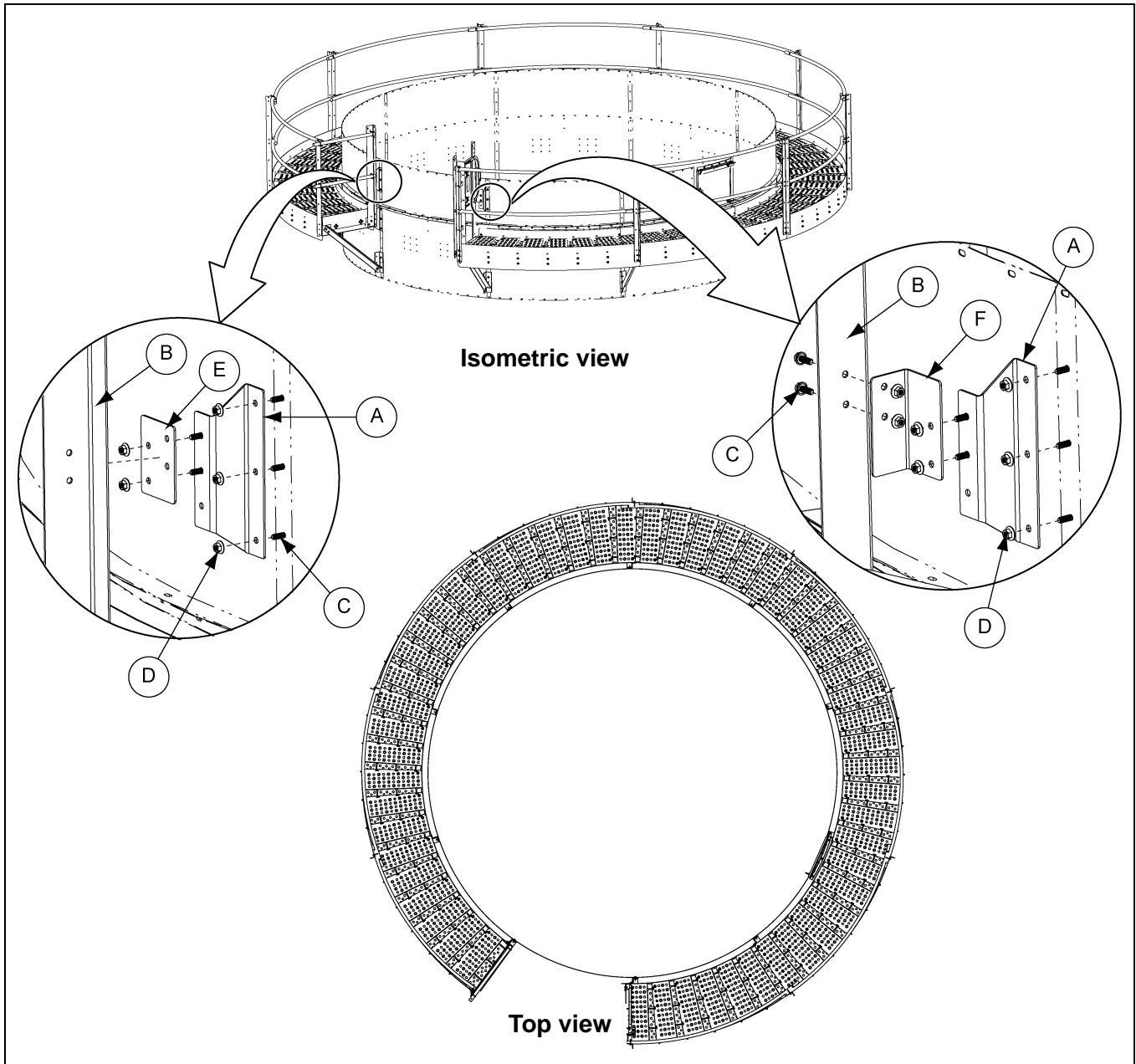


Figure 5A

Ref #	Part #	Description
A	GT1-2344	Bracket, Burner Access Platform to Burner Wall
B	GT1-2091	Plate, Swing Gate Stop
C	S-7485	3/8" x 1" Flange Bolt

Ref #	Part #	Description
D	S-968	3/8" Flange Nut
E	GT1-2485	Platform End Post Connector
F	GT1-2484	Gate Post Connector

5. 12K Capacity Tower Dryer Burner Access Platform Installation

1. Install bracket (A) and clip (G) to the burner panel seam right below the bottom burner ring using bolt (C) and nut (D). (See Figure 5B.)

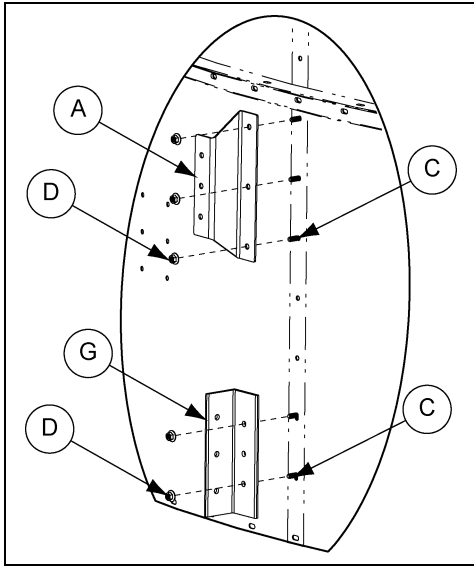


Figure 5B

Ref #	Part #	Description
A	GT1-2344	Bracket, Burner Access Platform to Burner Wall
C	S-7485	3/8" x 1" Flange Bolt
D	S-968	3/8" Flange Nut
G	GT1-2345-BS	Catwalk Support Clip

2. Install the inner toe board (H) and planks (I) to the wall brackets (A) using bolt (C) and nut (D). (See Figure 5C.)

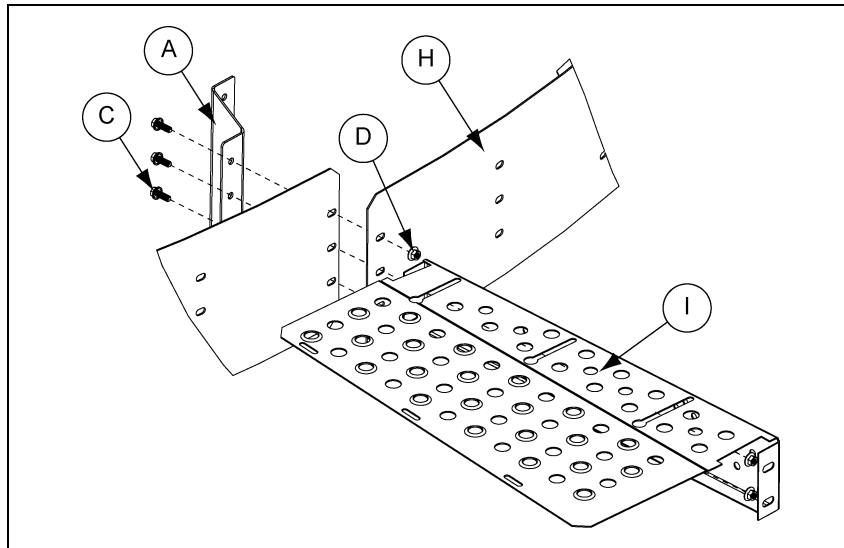


Figure 5C

Ref #	Part #	Description
A	GT1-2344	Bracket, Burner Access Platform to Burner Wall
C	S-7485	3/8" x 1" Flange Bolt
D	S-968	3/8" Flange Nut
H	GT1-2035-12K	Inner Toe Board - 18' Burner Platform
I	GT1-2033A	Plank, Catwalk/Platform

5. 12K Capacity Tower Dryer Burner Access Platform Installation

3. Attach the planks (I) together using truss head bolt (J) and nut (K). Do not tighten yet to allow for adjustment. (See Figure 5D.)

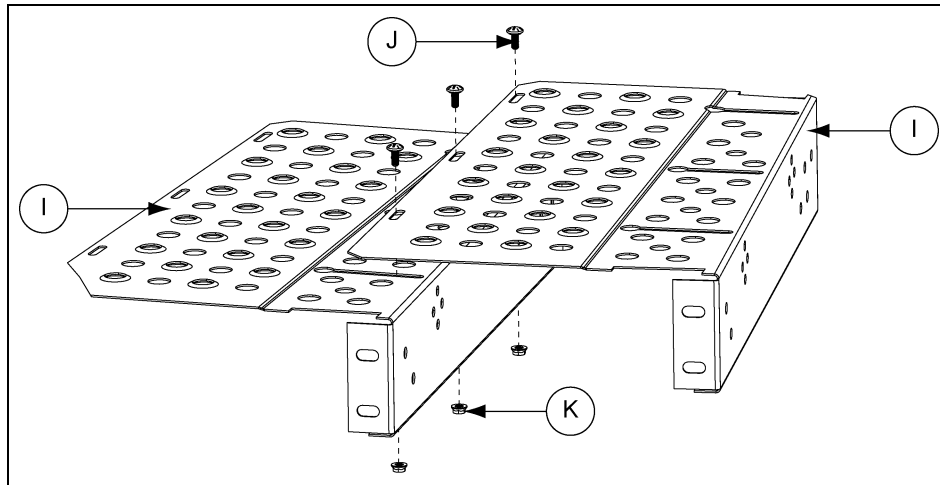


Figure 5D

Ref #	Part #	Description
I	GT1-2033A	Plank, Catwalk/Platform
J	S-10267	5/16"-18 x 3/4" Truss Bolt
K	S-3611	5/16"-18 Flange Nut

4. Install the end toe board (L) to the end plank (I) using bolt (C) and nut (D). (See Figure 5E.)

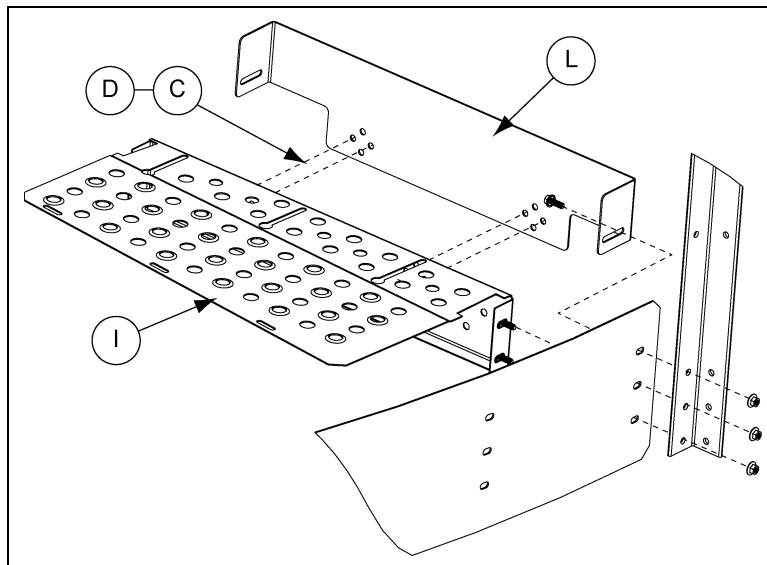
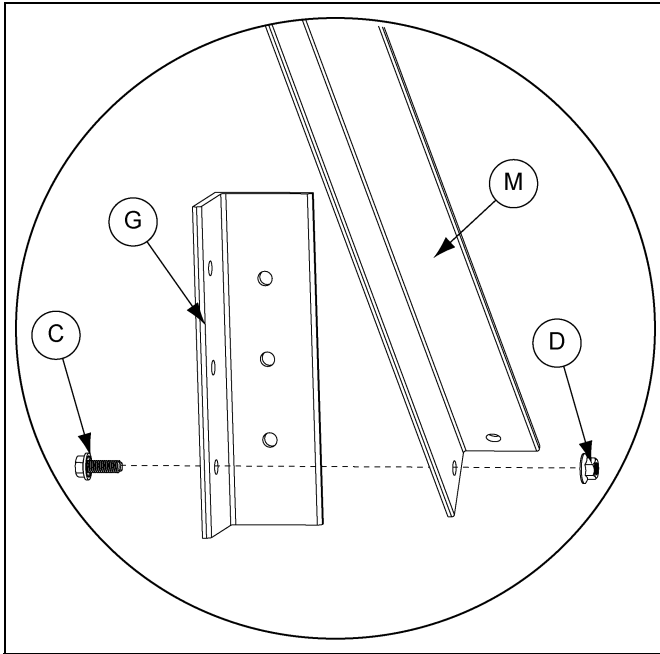


Figure 5E

Ref #	Part #	Description
C	S-7485	3/8" x 1" Flange Bolt
D	S-968	3/8" Flange Nut
I	GT1-2033A	Plank, Catwalk/Platform
L	GT1-2095A	Toe Board, Platform End

5. 12K Capacity Tower Dryer Burner Access Platform Installation

5. Install the middle platform support to the wall clips (G) and a plank (I).
6. Install the end platform supports to the wall clips (G), handrail posts, a shim and the plank (I).
7. Install the outer toe board to the planks (I). *(See Figure 5F.)*



Ref #	Part #	Description
C	S-7485	3/8" x 1" Flange Bolt
D	S-968	3/8" Flange Nut
G	GT1-2345-BS	Catwalk Support Clip
M	GT1-2358-BS	Burner Access Platform Diagonal Support

Figure 5F

8. Install the handrails (N) to the handrail posts (O) using U-bolts (P) and nuts (J). *(See Figure 5G.)*

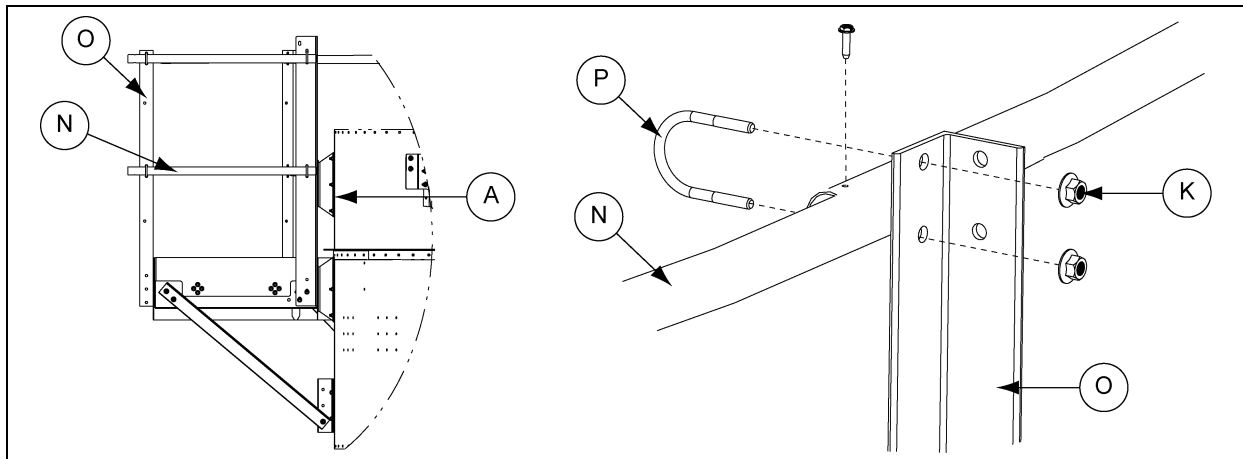


Figure 5G

Ref #	Part #	Description
A	GT1-2344	Bracket, Burner Access Platform to Burner Wall
K	S-3611	5/16"-18 Flange Nut
N	GT1-2044A	Handrail, Platform End
O	GT1-2037-BS	Handrail, Vertical Support
P	S-10171	Bolt, U-Bolt 5/16"-18

5. 12K Capacity Tower Dryer Burner Access Platform Installation

9. Install the gate assembly (Q) to the gate post (R). (See Figure 5H.)

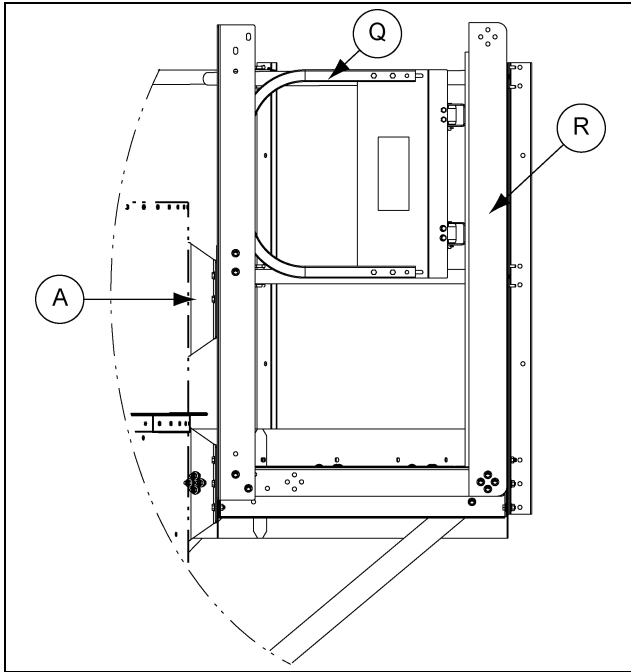


Figure 5H

Ref #	Part #	Description
A	GT1-2344	Bracket, Burner Access Platform to Burner Wall
Q	LDR-5210	Safety Gate Assembly
R	GT1-2087	Swing Gate Support

12K Capacity Tower Dryer Burner Access Door Location

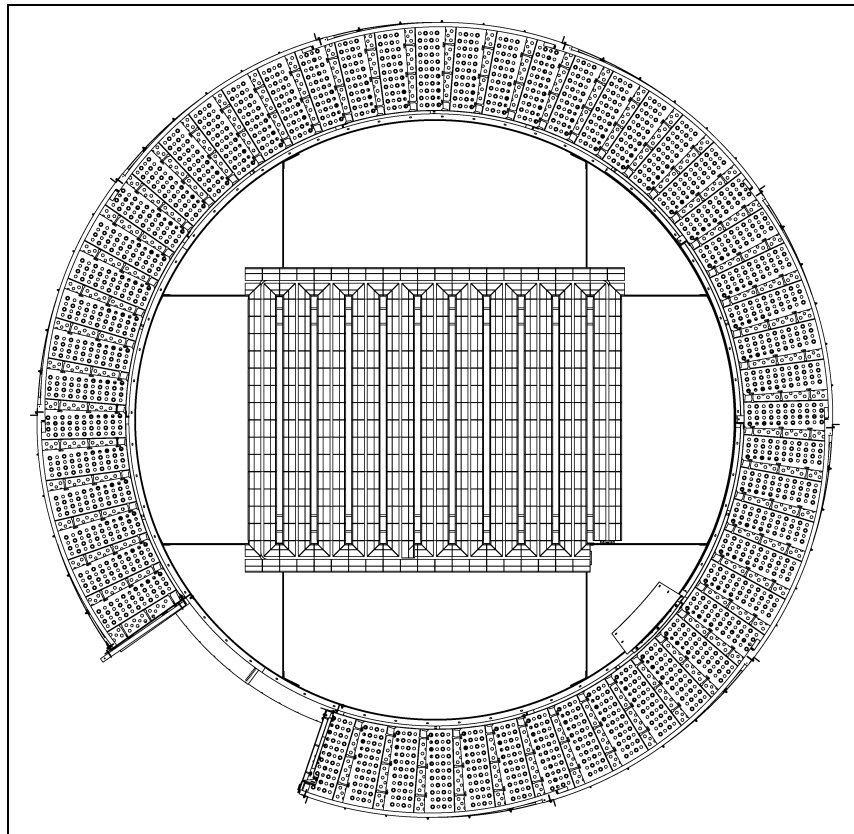


Figure 5I

Limited Warranty — N.A. Grain Products

The GSI Group, LLC. (“GSI”) warrants products which it manufactures, to be free of defects in materials and workmanship under normal usage and conditions for a period of 12 months from the date of shipment (or, if shipped by vessel, 14 months from the date of arrival at the port of discharge). If, in GSI’s sole judgment, a product is found to have a defect in materials and/or workmanship, GSI will, at its own option and expense, repair or replace the product or refund the purchase price. This Limited Warranty is subject to extension and other terms as set forth below.

Warranty Enhancements: The warranty period for the following products is enhanced as shown below and is in lieu of (and not in addition to) the above stated warranty period. (Warranty Period is from date of shipment.)

	Product	Warranty Period
Storage	Grain Bin Structural Design • Sidewall, roof, doors, platforms and walkarounds • Flooring (when installed using GSI specified floor support system for that floor) • Hopper tanks (BFT, GHT, NCHT, and FCHT)	5 Years
Conditioning	Dryer Structural Design – (Tower, Portable and TopDry) • Includes (frame, portable dryer screens, ladders, access doors and platforms)	5 Years
	All other Dryer parts including: • Electrical (controls, sensors, switches and internal wiring)	2 Years
	All Non-PTO Driven Centrifugal and Axial Fans	3 Years
	Bullseye Controllers	2 Years
Material Handling	Bucket Elevators Structural Design	5 Years
	Towers Structural Design	5 Years
	Catwalks Structural Design	5 Years
	Accessories (stairs, ladders and platforms) Structural Design	5 Years

Conditions and Limitations:

THERE ARE NO WARRANTIES THAT EXTEND BEYOND THE LIMITED WARRANTY DESCRIPTION SET FORTH HEREIN; SPECIFICALLY, GSI DISCLAIMS ANY AND ALL OTHER WARRANTIES OF ANY KIND, EXPRESS OR IMPLIED, INCLUDING, WITHOUT LIMITATION, WARRANTIES OF MERCHANTABILITY OR FITNESS FOR A PARTICULAR PURPOSE OR USE IN CONNECTION WITH: (I) ANY PRODUCT MANUFACTURED OR SOLD BY GSI, OR (II) ANY ADVICE, INSTRUCTION, RECOMMENDATION OR SUGGESTION PROVIDED BY AN AGENT, REPRESENTATIVE OR EMPLOYEE OF GSI REGARDING OR RELATED TO THE CONFIGURATION, INSTALLATION, LAYOUT, SUITABILITY FOR A PARTICULAR PURPOSE, OR DESIGN OF SUCH PRODUCTS.

The sole and exclusive remedy for any claimant is set forth in this Limited Warranty and shall not exceed the amount paid for the product purchased. This Warranty only covers the value of the warranted parts and equipment, and does not cover labor charges for removing or installing defective parts, shipping charges with respect to such parts, any applicable sales or other taxes, or any other charges or expenses not specified in this Warranty. GSI shall not be liable for any other direct, indirect, incidental or consequential damages, including, without limitation, loss of anticipated profits or benefits. Expenses incurred by or on behalf of a claimant without prior written authorization from the GSI warranty department shall not be reimbursed. This warranty is not transferable and applies only to the original end-user. GSI shall have no obligation or responsibility for any representations or warranties made by or on behalf of any dealer, agent or distributor. Prior to installation, the end-user bears all responsibility to comply with federal, state and local codes which apply to the location and installation of the products.

This Limited Warranty extends solely to products sold by GSI and does not cover any parts, components or materials used in conjunction with the product, that are not sold by GSI. GSI assumes no responsibility for claims resulting from construction defects, unauthorized modifications, corrosion or other cosmetic issues caused by storage, application or environmental conditions. Modifications to products not specifically delineated in the manual accompanying the product at initial sale will void all warranties. This Limited Warranty shall not extend to products or parts which have been damaged by negligent use, misuse, alteration, accident or which have been improperly/inadequately maintained.

Notice Procedure:

In order to make a valid warranty claim a written notice of the claim must be submitted, using the RMA form, within 60 days of discovery of a warrantable nonconformance. The RMA form is found on the OneGSI portal.

Service Parts:

GSI warrants, subject to all other conditions described in this Warranty, Service Parts which it manufactures for a period of 12 months from the date of purchase unless specified in Enhancements above.

This equipment shall be installed in accordance with the current installation codes and applicable regulations, which should be carefully followed in all cases. Authorities having jurisdiction should be consulted before installations are made.



**1004 E. Illinois St.
Assumption, IL 62510-0020
Phone: 1-217-226-4421
Fax: 1-217-226-4420
www.gsiag.com**



GSI is a worldwide brand of AGCO Corporation.