



CE Compliant TopDry Series 2000 Autoflow

Operators Manual

PNEG-1820CE

Date: 03-13-15



PNEG-1820CE

Contents

Chapter 1 Safety	4
Cautionary Symbols	4
Fan/Heater Installation and Operating Instructions	5
Safety Sign-Off Sheet	7
Chapter 2 Decals	8
Chapter 3 Fuel and Electrical Specifications	11
TopDry CE Heater Specifications	11
Chapter 4 Electrical Installation	12
Machine to Earth Connection	12
Emergency Stop	12
Chapter 5 Fuel Installation	13
Fuel Supply	13
Liquid LPG	13
Vapor LPG	13
Natural Gas	13
Chapter 6 Control Panel	14
Dryer Control Panel	14
Chapter 7 Control System	16
Electronic Monitoring Control System	16
Chapter 8 Fill System Control Box	19
Chapter 9 Error Messages and Valve Proving System	22
Error Messages	22
Valve Proving System	24
High Gas Pressure Switch	24
Chapter 10 Initial Start-Up	25
Dryer Commissioning	25
Chapter 11 Pre-Season Checks	27
Set Control Switches	27
Control Power Switch	28
Drying Chamber	29
Rotary Switches	29
Linear Actuator	29
Power Start Button	29
Fuel Check	29
Fan	29
Aeration Fan	29
Fill System	30
Air Switch	30
Burner Test Fire	30
Dryer Shut Down	30
Emergency	30
Chapter 12 Autoflow Theory	31
TopDry Autoflow Theory of Operation	31
Chapter 13 Start-Up Procedure	33
Initial Dryer Start-Up	33
Normal Start-Up	35
Last Fill	35
Chapter 14 Warranty	37

1. Safety

Cautionary Symbols

Cautionary symbols appear in this manual and on product decals. The symbols alert the user of potential safety hazards, prohibited activities and mandatory actions. To help you recognize this information, we use the symbols that are defined below.



This symbol indicates an imminently hazardous situation which, if not avoided, **will result in serious injury or death.**



This symbol indicates a potentially hazardous situation which, if not avoided, **may result in serious injury or death.**



This symbol indicates a potentially hazardous situation which, if not avoided, **may result in minor or moderate injury.**



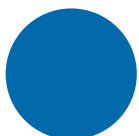
This symbol indicates a potentially hazardous situation which, if not avoided, **may result in property damage.**



This symbol indicates a general hazard.



This symbol indicates a prohibited activity.



This symbol indicates a mandatory action.

Fan/Heater Installation and Operating Instructions

Thank you for choosing a TopDry Series 2000 Autoflow.

This manual describes the operation of CE Compliant TopDry Series 2000 single fan, multi-fan heater control units.

Our principal concern is your safety. This manual is written to help you understand safe operating procedures for you and your co-workers.

As owner and/or operator, it is your responsibility to know that requirements, hazards and precautions exist and to inform all personnel associated with the equipment or who are in the area.

Do not alter the equipment. Alterations may produce a very dangerous situation, where serious injury or death may occur.

CE Compliance

This dryer has been designed to comply with EU Directives. Compliance depends upon the dryer being constructed, installed and operated in accordance with GSI instructions.

General Safety

Before operating your TopDry, please read and understand this manual.

Keep the manual available for operators and maintenance technicians.

Make sure all operators are aware of potential hazards, risks and safe operating procedures.

Never enter the dryer when it is operating.

The TopDry is designed for drying agricultural corn, seeds and grain only.

To reduce the risk of fire, keep the dryer clean, paying special attention to the area around the fan and heater.

Use only genuine GSI parts.

Never bypass any safety device or interlock.

Electrical Safety

Electrical connections and maintenance must be carried out in accordance with Local Codes and Directives by qualified engineers only.

The dryer must be fitted with a suitable, lockable electrical shut off device (isolator).

Flammable Fuels

Fuel supply and connections must be made in accordance with Local Codes and Directives by qualified gas fitters.

The fuel supply must include over pressure protection and a lockable manual isolator valve.

Check the fuel type is correct or the dryer and supply pressures meet the dryer requirements

Safety Guards

Safety guards must be fitted securely at all times when operating the dryer.

If a guard becomes damaged lease fit a genuine replacement before using the dryer.

1. Safety

Safety in Maintenance

Shut off and lock power and fuel supply to the dryer before entering or carrying out service or maintenance.

Before entering the drying bin allow run the fan only for 20 minutes to purge products of combustion and cool and heater components.

Ensure the grain chutes are empty by performing a manual dump before entering.

Before opening the fuel train safely de-pressurise the system.

Access to items at high level will require suitable safe access equipment, such as scaffold.

Dust

Dust may be created in the movement of corn, grain or seeds to and from the TopDry. Use a suitable respirator.

Noise

Sound levels around the fan and heater may exceed 80 dBa. Avoid working in this area and wear hearing defenders.

FOR GUIDANCE OR ASSISTANCE ON ANY ISSUES RELATING TO THE SAFE USE OF THE TOPDRY CONTACT:

GSI Group

1004 E. Illinois St.
Assumption, IL. 62510
Phone: 1-217-226-4421



Drying flammable grains and seeds.

Exercise caution when drying highly flammable grains and seeds.

For example rapeseed, canola, linseed, sunflower and milo.

All grain and seed must be whole (minimal cracked or crushed), clean and dust free.

Dry at low temperatures (< 50°C).

Avoid dust and chaff being drawn into the fan and heater.

Keep the fan, heater, drying plenum and ducts clean at all times.

In the event of a fire (or suspected fire).


1. Shut down the entire dryer.
2. Turn OFF fuel at the tank or supply valve.
3. Shut off and lock electrical power.
4. Evacuate the area.
5. Call the fire department.

2. Decals

Safety decals must be read and understood by all people in and around the TopDry area. If any safety decals are not displayed on the TopDry or if they are damaged, contact the GSI Group, Inc. for replacement:

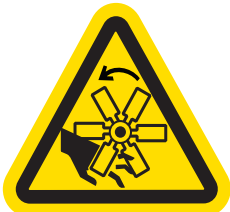
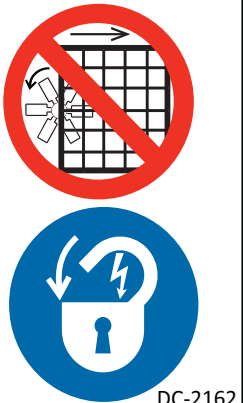
Decals

1004 E. Illinois St.
Assumption, IL. 62510
Phone: 1-217-226-4421

	<ul style="list-style-type: none"> • Automatic Machinery • Automatické stroje a zařízení • Automaticus Machinery • автоматични машини • automatische machines • Автоматические машины • автоматичні машини • Automātiskā Mašīnas • Automatinis Machinery • machines automatiques • Maquinaria automática • macchina automatica • automatiska maskiner • Otomatik Makina • Máquinas automáticas • Aparate • Automaattinen Machinery 	
GSI Group 217-226-4421		DC-2161

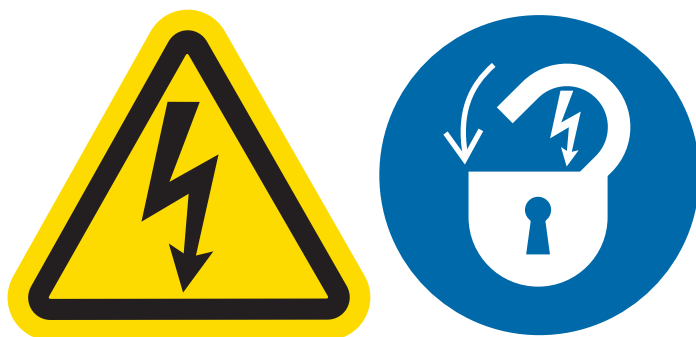
DC-2161

Background: White
Colors: Black, ANSI Yellow, ANSI Blue and ANSI Red
Size: 8.860" x 5.910"

	<ul style="list-style-type: none"> • Automatic Machinery • Automatické stroje a zařízení • Automaticus Machinery • автоматични машини • automatische machines • Автоматические машины • автоматичні машини • Automātiskā Mašīnas • Automatinis Machinery • machines automatiques • Maquinaria automática • macchina automatica • automatiska maskiner • Otomatik Makina • Máquinas automáticas • Aparate • Automaattinen Machinery 	
GSI Group 217-226-4421		DC-2162

DC-2162

Background: White
Colors: Black, ANSI Yellow and ANSI Blue
Size: 3.940" x 1.970"



GSI Group 217-226-4421

DC-2163

DC-2163

Background: White
 Colors: Black, ANSI Yellow and ANSI Blue
 Size: 3.940" x 1.970"



- Automatic Machinery
- Automatické stroje a zařízení
- Automatikus Machinery
- автоматични машини
- automatische machines
- Автоматические машины
- автоматичні машини
- Automātiskā Mašīnas
- Automatinis Machinery
- machines automatiques
- Maquinaria automática
- macchine automatiche
- automatiska maskiner
- Otomatik Makina
- Máquinas automáticas
- Aparate
- Automaattinen Machinery



GSI Group 217-226-4421

DC-2164

DC-2164

Background: White
 Colors: Black, ANSI Yellow and ANSI Blue
 Size: 3.940" x 1.970"



- Automatic Machinery
- Automatické stroje a zařízení
- Automatikus Machinery
- автоматични машини
- automatische machines
- Автоматические машины
- автоматичні машини
- Automātiskā Mašīnas
- Automatinis Machinery
- machines automatiques
- Maquinaria automática
- macchine automatiche
- automatiska maskiner
- Otomatik Makina
- Máquinas automáticas
- Aparate
- Automaattinen Machinery



GSI Group 217-226-4421

DC-2165

DC-2165

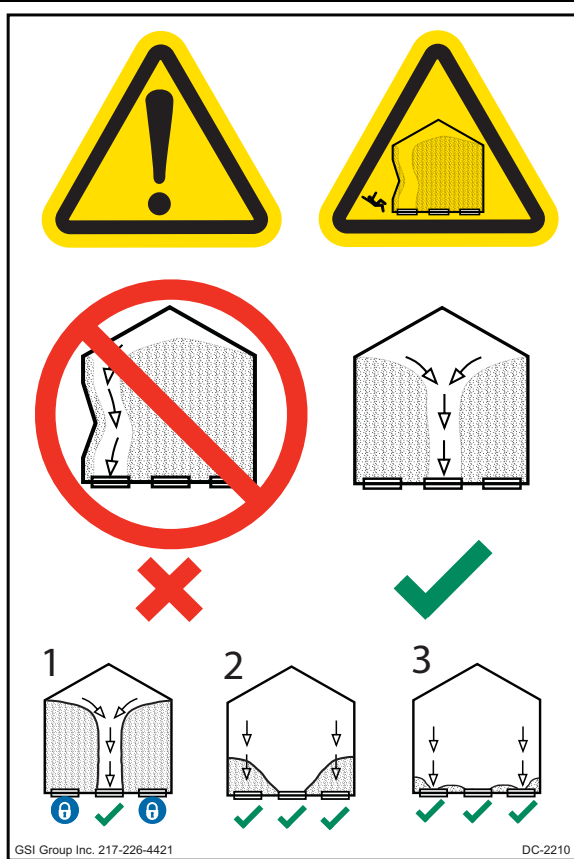
Background: White
 Colors: Black, ANSI Yellow and ANSI Blue
 Size: 5.910" x 3.940"

2. Decals



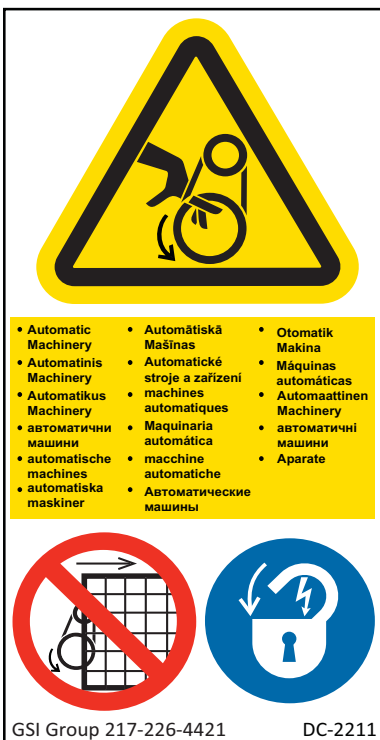
DC-2166

Background: White
 Colors: Black and ANSI Blue
 Size: 5.910" x 3.940"



DC-2210

Background: White
 Colors: Black, ANSI Yellow, ANSI Blue and ANSI Red
 Size: 5.910" x 3.940"



DC-2211

Background: White
 Colors: Black, ANSI Yellow and ANSI Blue
 Size: 3.940" x 1.970"

- Automatic Machinery
- Automatinis Machinery
- Automatikus Machinery
- автоматични машини
- automatische machines
- automatiska maskiner
- Automātiskā Mašīnas
- Automatické stroje a zařízení
- machines automatiques
- Maquinaria automática
- macchine automatiche
- Автоматические машины
- Otomatik Makina
- Máquinas automáticas
- Automaattinen Machinery
- автоматичні машини
- Aparate

TopDry CE Heater Specifications

Fuel Specifications

LPG Gross CV = 98.37 MJ/m³

Fan	Motor	Maximum Air	Minimum Air	Maximum Static	Minimum Static	Maximum Heat	Minimum Heat	Maximum Burner Pressure	Minimum Burner Pressure	Orifice I.D.	Maximum Gas Flow
	kW	m ³ /s	m ³ /s	Pa	Pa	kW	kW	mBar	mBar	mm	m ³ /h
36"	11.19	8.74	2.83	747.30	373.65	1311.91	495.30	420.00	16.00	9.74	50.31
40"	11.19	12.75	5.20	747.30	373.65	1786.16	674.19	420.00	16.00	11.37	68.50
42"	22.00	16.06	7.79	871.85	373.65	2635.04	994.10	420.00	28.00	13.80	101.06
42"	30.00	17.95	8.50	871.85	373.65	3119.11	1177.21	420.00	28.00	15.02	119.62

Natural Gross CV = 38.6 MJ/m³

Fan	Motor	Maximum Air	Minimum Air	Maximum Static	Minimum Static	Maximum Heat	Minimum Heat	Maximum Burner Pressure	Minimum Burner Pressure	Orifice I.D.	Maximum Gas Flow
	kW	m ³ /s	m ³ /s	Pa	Pa	kW	kW	mBar	mBar	mm	m ³ /h
36"	11.19	10.39	3.31	747.30	373.65	1311.91	495.30	420.00	16.00	12.04	122.26
40"	11.19	12.75	5.20	747.30	373.65	1786.16	674.19	420.00	21.00	14.05	166.46
42"	22.00	16.06	7.79	871.85	373.65	2635.04	994.10	420.00	28.00	17.06	245.56
42"	30.00	17.95	8.50	871.85	373.65	3119.11	1177.21	420.00	27.00	18.56	290.68

Electrical Specifications

Fan	Motor	380 VAC		400 VAC	
		Maximum Current Draw FLA	Maximum Start Current	Maximum Current Draw FLA	Maximum Start Current
		A	A	A	A
36"	11.19	22.67	68.01	21.54	64.61
40"	11.19	22.67	68.01	21.54	64.61
42"	22.00	44.57	133.70	42.34	127.02
42"	30.00	60.77	182.32	57.74	173.21

Fan	Motor	415 VAC		440 VAC	
		Maximum Current Draw FLA	Maximum Start Current	Maximum Current Draw FLA	Maximum Start Current
		A	A	A	A
36"	11.19	22.67	68.01	21.54	64.61
40"	11.19	22.67	68.01	21.54	64.61
42"	22.00	44.57	133.70	42.34	127.02
42"	30.00	60.77	182.32	57.74	173.21

NOTE: When commissioning, check motor ratings on individual motors and set overloads accordingly.

4. Electrical Installation

The electrical supply must be capable of the full demand from the dryer, including aeration fan, fill and empty equipment and start currents.

All CE TopDry fans are star delta starting.

Refer to electrical specifications [Table on Page 11](#) for minimum current demand per fan heater.

For twin fan units, double the minimum demand.

Allow for fill and empty equipment loads.

Power supply to the dryer must include a suitable, lockable supply disconnect switch (isolator).

Machine to Earth Connection

The dryer must be connected to earth.

In most cases this will be via the earth supply provided with the power supply.

Where no earth is supplied or for generator supplies, a ground rod must be used. This must be selected and installed by a qualified engineer, in accordance with EU Directives and/or Local Regulations and Codes.

Emergency Stop

The dryer is fitted with an emergency stop.

It is recommended that auxiliary fill and empty equipment be installed so that in the event of an emergency stop, all equipment is stopped.

This is the responsibility of the installer.

The dryer is supplied with a door safety switch. This must be connected to the required terminals so that the dryer is stopped if the door is opened.

Fuel Supply

The dryer requires a suitable fuel supply. Refer to fuel specifications [Table on Page 11](#) for fuel flow requirements.

Liquid LPG

Dryers with internal vaporizers require LPG in liquid form.

Vapor LPG

Dryers without internal vaporizers require LPG in vapor form.

LPG tanks must have adequate vaporizing capacity to supply the maximum fuel flow given in fuel specifications [Table on Page 11](#). Alternatively and external vaporizer may be used.

For twin fan units, double the fuel flow.

Primary pressure regulation is required at the tank, including over pressure protection.

Supply pressure at the dryer should be 1.5 bar-2.0 bar (150 kPa-200 kPa).

Natural Gas

Natural gas dryers require a supply capable of the maximum flow given in fuel specifications [Table on Page 11](#).

For twin fan units, double the flow.

Minimum supply pressure at the dryer must be 750 mBar (75 kPa).

Primary pressure regulation should include over pressure protection.

Dryer Control Panel



Figure 6A

Moisture Control Switch

Determines if the grain temperature set point is used in the operation of the dryer.

When "ON" position, the grain will be dumped when it reaches the temperature set point and the dry timer has reached zero.

When "ON" the switch is lit when the grain is below set point.

Control Power Switch

Turns ON/OFF power to the electronic monitoring control system.

Aeration Fan Switch

Controls the operation of the aeration fan located at the bottom of the bin.

AUTO = Fan runs only with the main drying fans.

ON = Fan comes on when the dryer is running.

Load Auger Switch

Controls the operation of the drying chamber fill system(s).

Switch is lit when the fill system(s) are running.

AUTO = Fill system(s) start and stop automatically depending level of grain in drying chamber. When operating in the Autobatch mode the fill system(s) will shut off 2/3 of the way through the dry cycle regardless of drying chamber level.

ON = Fill system(s) are ON when the dryer is running.

Fan Switch

Controls the operation of the main drying fan(s).

Switch is lit when airflow is sensed.

AUTO = Main drying fan(s) start when drying chamber is full.

ON = Main drying fan(s) come ON and stay ON when the dryer is running.

Heater Switch

Controls the operation of the burner(s).

Switch is lit when the burner is ON.

Small lights above and below the heater switch indicate if the burner(s) are in high-fire or low-fire.

AUTO = Burner(s) light when drying chamber is full remain on until the dryer shuts down or is stopped.

ON = Burner(s) light anytime the main drying fan(s) are running.

Dump Switch

Controls the operation of the drying chamber dump chutes.

Switch illuminate when the chutes are moving.

MANUAL CLOSE = Chutes close.

AUTO = Chutes automatically dump at the end of the drying cycle.

MANUAL OPEN = Chutes open (dump).

NOTE: *Manual open and close only operate when the dryer Stop button has been pressed.*

Dry and Hold Switch

When ON the normal dump cycle will be inhibited at the end of the dry cycle.

Dryer Power Start Switch

Starts the dryer.

Lit up when dryer is running.

Dryer Power Stop Switch

Stop the dryer.

Also used to reset after an error or fault.

Electronic Monitoring Control System

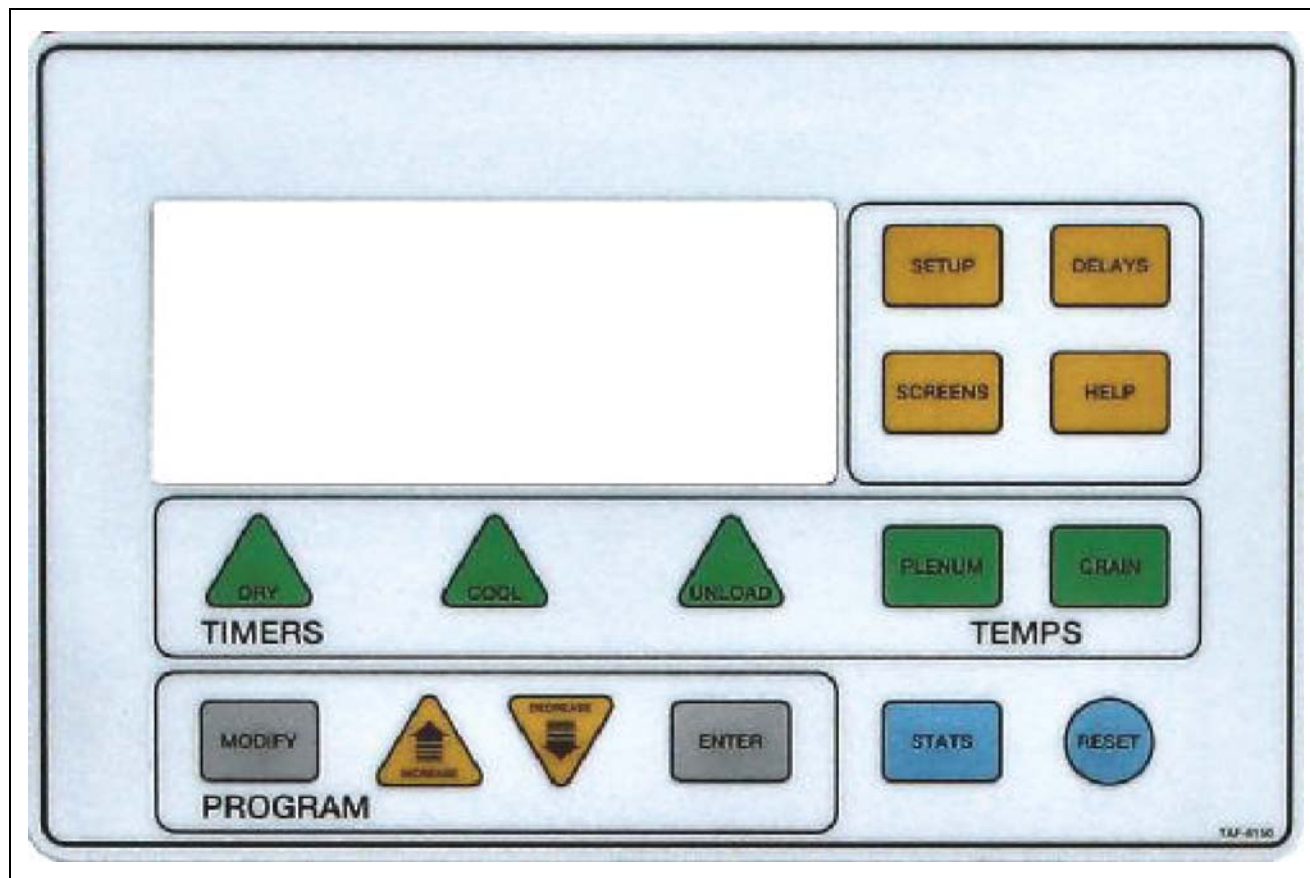


Figure 7A

Electronic Monitoring Control System

This controls all timing functions and safety circuits. It provides printed messages and warnings.

Turn control power to “ON” to start the control. The control will enter the main drying screen.

Setting the Dry, Cool and Unload Timers

These set the dry, cool and dump cycle times. The timer settings are displayed above the Timer button. To alter the setting:

1. Press the Dry, Cool or Unload Timer button.
2. Press “modify”.
3. Press “increase” or “decrease” to adjust the settings.
4. Press “enter”.
5. To enter the new value into memory, press “reset”.

During drying the remaining time for each timer is displayed. The control retains these values in the event of a power failure. Pressing “reset” returns the timers to their initial setting. The cool timer is not used in an Autoflow system.

Setting the Delays

The following timers are set using the same procedure, but the Reset button does not need to be pressed to enter the new values into memory immediately.

AUX. 1 DELAY - Not used.

REFILL DELAY - Used only on batch units. This delays the start of drying to allow the drying chamber to fill. If the unit does not refill within this time the unit will give a “dry chamber empty” error.

FILL #1 DELAY - This timer keeps the fill system running for a period of time after the Drying Chamber switch has detected grain. The purpose is to eliminate rapid start/stop in the fill system. Set the timer so that grain covers the Upper Level switch, but does not reach the Chamber Overflow switch.

If the Autoflow controls two (2) fill systems, this timer keeps fill system #1 running after fill system #2 has stopped. (Fill system #1 is the system the delivers direct to the drying chamber.) Set the time to completely empty fill system #1, but should not allow grain to reach the Chamber Overflow switch.

FILL #2 DELAY - This timer is used where two (2) fill systems are controlled. It keeps fill system #2 running for a period of timer after the Drying Chamber Upper Level switch has detected grain. Set the timer so that grain covers the Upper Level switch, but does not reach the Chamber Overflow switch.

OUT OF GRAIN DELAY - This allows the dryer to continue running for a period of time after the Drying Chamber Low Level switch has detected no grain. This stops nuisance shut downs. Once the out of grain timer has elapsed the dryer will shut down and report “no grain”. If you are getting “no grain” shut downs, increase the timer.

FAN DELAY - Used only on twin fan units to delay the start of the second (slave) fan. Recommended setting is 3 seconds.

FANS OFF DELAY - Allows the fans to be stopped during the dump cycle. Options are 1.00 (ON) and 0.00 (OFF). When ON the fans will stop during the dump cycle and restart following.

Standard Setup

The setup mode is used to program the computer with different variables that influence how the dryer will operate.

CLEAR TOTAL BATCHES - Press the Reset button to clear the total batches. Press the Enter button to continue.

CLEAR WARNING HISTORY - Press the Reset button to clear the warning history. Press the Enter button to continue.

TIME UNTIL LOAD OFF - In Autobatch mode is the percentage of time through the dry cycle that the fill systems will be shut off regardless if the dryer is full or not. Press the Enter button to return to the main drying screen.

Extended Setup

SET DATE -

SET MONTH -

SET YEAR -

SET HOUR -

SET MINUTE -

7. Control System

Use the Increase and Decrease buttons to select the correct time or date. Press the Enter button to accept.

LOW LEVEL TEST MODE - Use the Increase and Decrease buttons to enable or disable Drying Chamber Low Level switch monitoring.

WET TANK TEST MODE - Use the Increase and Decrease buttons to enabled or disabled wet supply level switch monitoring.

START FANS WITH HIGH - Use the Increase and Decrease buttons to enable or disable fan starting based on the Upper Drying Chamber Level switch. Recommended practice is fans starting with the Drying Chamber Low Level switch.

AERATION FAN BYPASS - Use the Increase and Decrease buttons to enabled or disabled. When enabled the fan runs after the dryer stops.

OF FILL SYSTEMS - Use the Increase and Decrease buttons to select one or two (2) fill systems under dryer control. Note setting of fill #1 and fill #2 system timers [on Page 19](#).

SELECT DRYER TYPE - Use the increase and decrease select dryer model:

AF3 - Three (3) drying fan Autoflow.

AF2 - Two (2) drying fan Autoflow.

AF1 - Single drying fan Autoflow.

AB3 - Three (3) drying fan Autobatch.

AB2 - Two (2) drying fan Autobatch.

AB1 - Single drying fan Autobatch.

SELECT TEMP SCALE - Use the increase and decrease to select Fahrenheit or Celsius.

MODEM INIT STRING - Not used. Press the Enter button to return to the main drying screen.

BURNER DIFFENTIAL - Use the Increase and Decrease buttons to change temperature difference between high-fire and low-fire. Recommended setting 3°C.

Help

Currently not used.

Plenum

Set target plenum temperature.

Grain

Set target grain temperature with Increase/Decrease buttons.

Screens

By pressing the Screens button, you can toggle between two (2) screens. Screen #1 displays the current plenum and grain temperatures and their set points in parenthesis. Screen #2 displays the status of the Drying Chamber Rotary switches and the total number of batches. In all screens the dry time and dump time are displayed at the bottom of the screen.

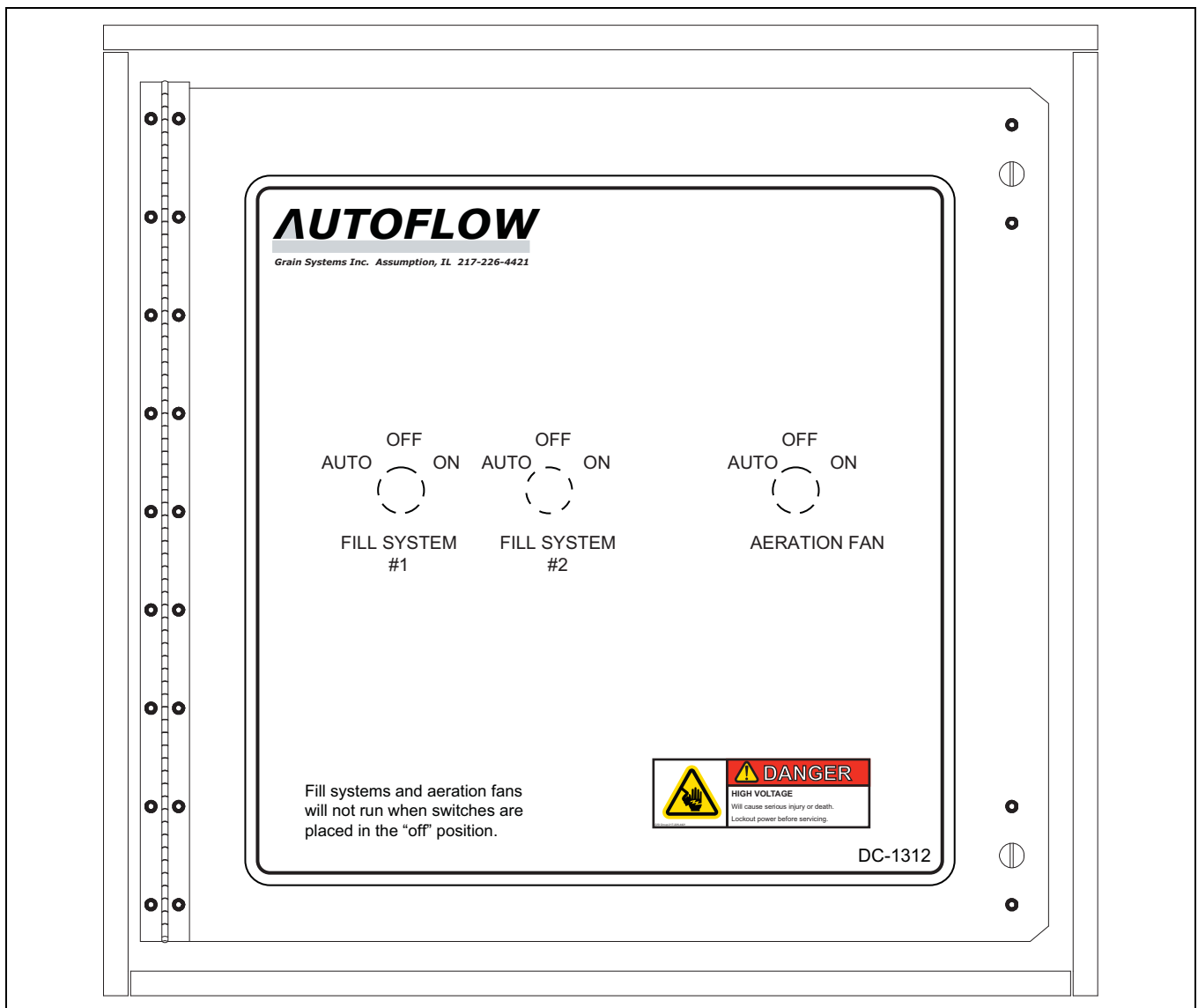


Figure 8A

The fill system control box houses the motor starters for fill system #1, fill system #2 and the aeration fan. Switches are located on the front of the fill system control box and an Emergency Stop switch is located on the side of the control box.

Fill system #1 and fill system #2:

0 = OFF

1 = Manual ON

AUTO = Operates under dryer control

Aeration fan:

0 = OFF

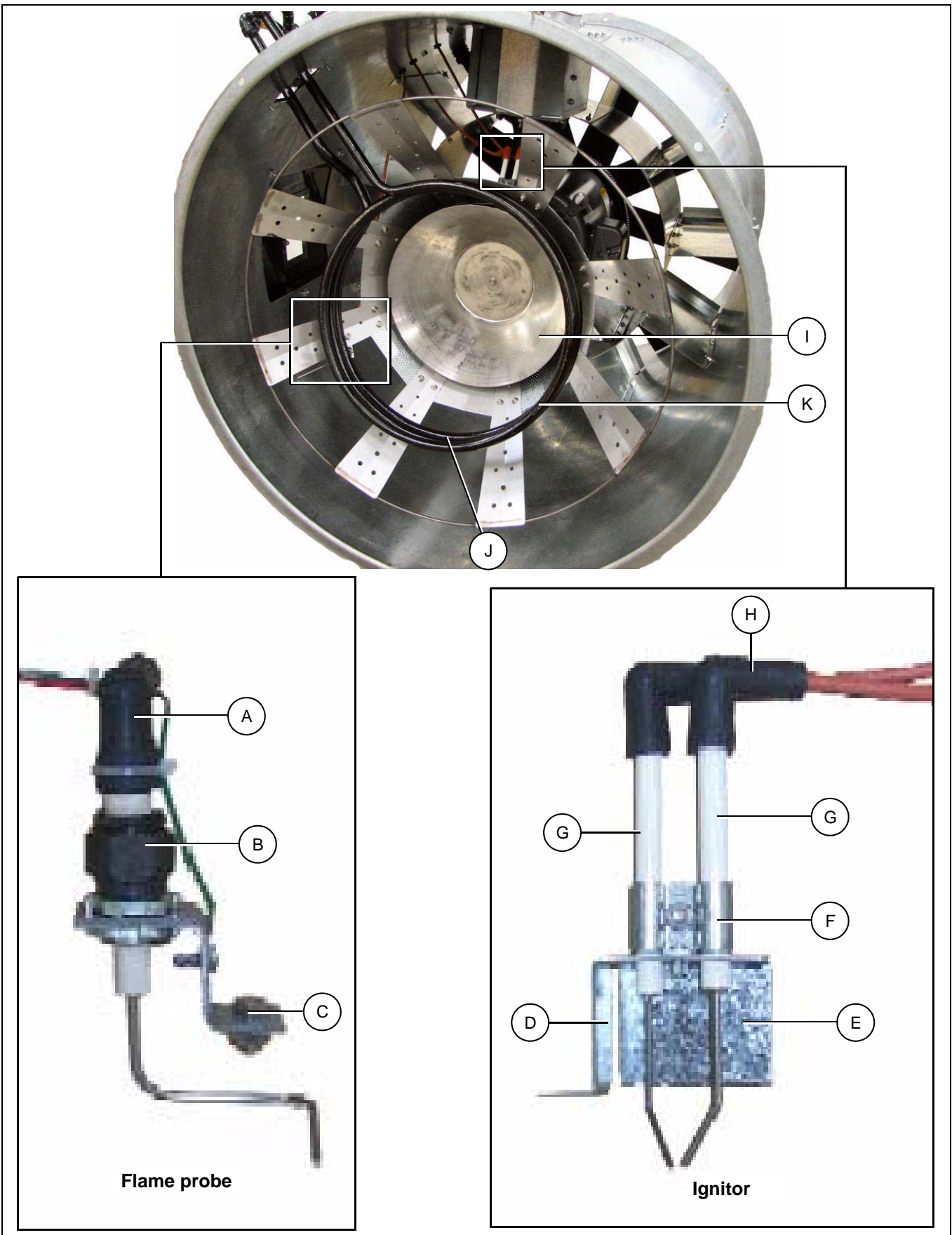
1 = Manual ON

AUTO = Operates under dryer control

Emergency Stop switch:

This switch will stop the dryer when pushed and should be used in case of emergency.

8. Fill System Control Box



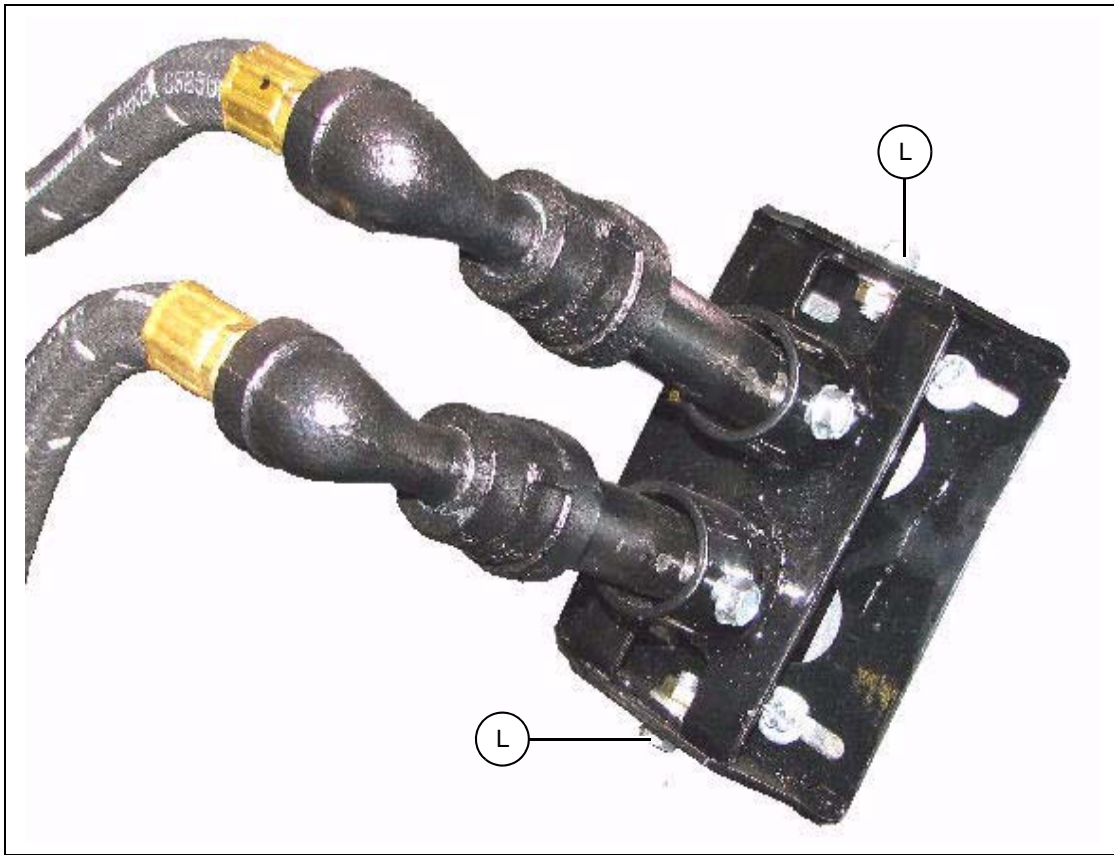


Figure 8C LP Vaporizer Coil Adjustment

Flame Probe, Ignitor and Burner Assemblies Parts List

Ref #	Description
A-C	Flame Probe Assembly Network
A	Boot 8 mm Silicone 90°
B	Flame Sensor 6" Long Rod
C	Flame Sensor Bracket
D-H	Ignitor Assembly
D	Dual Probe Ignitor Bracket
E	Ignitor Air Deflector Angle
F	Ignitor Half Clamp
G	Ignitor Flame
H	Ignition Wire Assembly (Includes Both Wires)
I	Cone
J	Vaporizer Coil
K	Vaporizer
L	Loosen this bolt to adjust the vaporizer coil.

9. Error Messages and Valve Proving System

Error Messages

Burner * Loss Flame

The flame sensor in burner number * has failed to detect flame. Possible causes:

Burner failed to light.

1. Check fuel supply and pressure.
2. Check spark.
3. Check all solenoid valves are opening.

Flame sensor needs adjusting.

1. It must be in the flame.
2. It can be bent gently if required.

Fan * Vapor High-Limit

The LP gas vapor temperature has exceeded 109°C causing the high-limit to open. This will reset when cool. The vaporizer must be adjusted to move it further from the flame to prevent this re-occurring.

Fan * Housing High-Limit

The temperature in the fan/heater housing has exceeded 109°C. Housing high-limit must be manually reset.

Plenum High-Limit

The dryer plenum has gone over temperature. The plenum high-limit resets automatically when cooled. The low-fire gas pressure needs to be lowered or the cycle set point on the high-low thermostat needs to be increased if the error is displayed frequently.

NOTE: *Vapor, plenum and housing high-limit errors will cause the burner control to lock out. This can only be reset by pressing the illuminated Reset button on the burner control.*

Fan * Motor Overload

The thermal overload in the control box on fan number one has tripped, indicating an over current condition. The overload must be reset manually.

Fan * Loss of Airflow

The burner control air switch is not sensing adequate airflow to allow the burner to light.

1. Check fan is operating at correct speed.
2. Check for damaged fan blades.
3. Check air inlet is not impeded.
4. Check pressure switch.
5. Adjust pressure switch.

Drying Chamber Overflow

The grain level in the drying chamber has reached the Drying Chamber Overflow Rotary switch. Grain will have to be dumped from the drying chamber to the storage chamber before the unit can be re-started. This error indicates that either the drying chamber High Level Rotary switch is faulty or the time on the load delay or Aux. 1 delay needs to be lowered.

Bin Grain High-Limit Full

The grain level in the storage chamber has reached the storage chamber High Level Rotary switch located 1 m below the fan and heater(s). Grain will have to be removed from the storage chamber before the unit can be re-started.

Bin High-Limit Switch Bad

The Storage Chamber High Level switch has failed. Switch must be repaired or replaced.

Out of Grain

The grain in the wet supply tank has fallen below the Wet Supply Rotary switch. If there is grain against the Drying Chamber Low Level Rotary switch the dryer can be re-started by pressing the Stop switch to clear the error and then the Start switch.

Wet Supply Empty Press <Enter> to Dry Remaining Grain

The Start button is pushed and grain is below the Wet Supply Level switch whilst grain remains in the Drying Chamber Low Level Rotary switch. If the Enter button is pushed the dryer will re-start, but the fill system(s) will not re-start.

Cannot Start Dryer Wet Supply Empty

The Start button is pushed and grain below the Wet Supply Level switch and there is no grain in the drying chamber.

Dry Chamber Empty

The grain is below the drying chamber low level switch and the Aux. 1 timer has reached zero. If the error is being caused due to the settling of grain after the fans start the time on the Aux. 1 timer can be lengthened.

Fill * Motor Overload

The thermal overload for fill system number * has tripped, indicating an over current condition. The overload must be reset manually.

Aeration Overload

The thermal overload for the aeration fan has tripped, indicating an over current condition. The overload must be reset manually.

9. Error Messages and Valve Proving System

Grain High-Limit

The grain temperature in the drying chamber is too high.

Valve Proving System

The main safety shut off valve is fitted with a proving system which will prevent burner start-up if the valve is leaky. (See Figure 9A.)

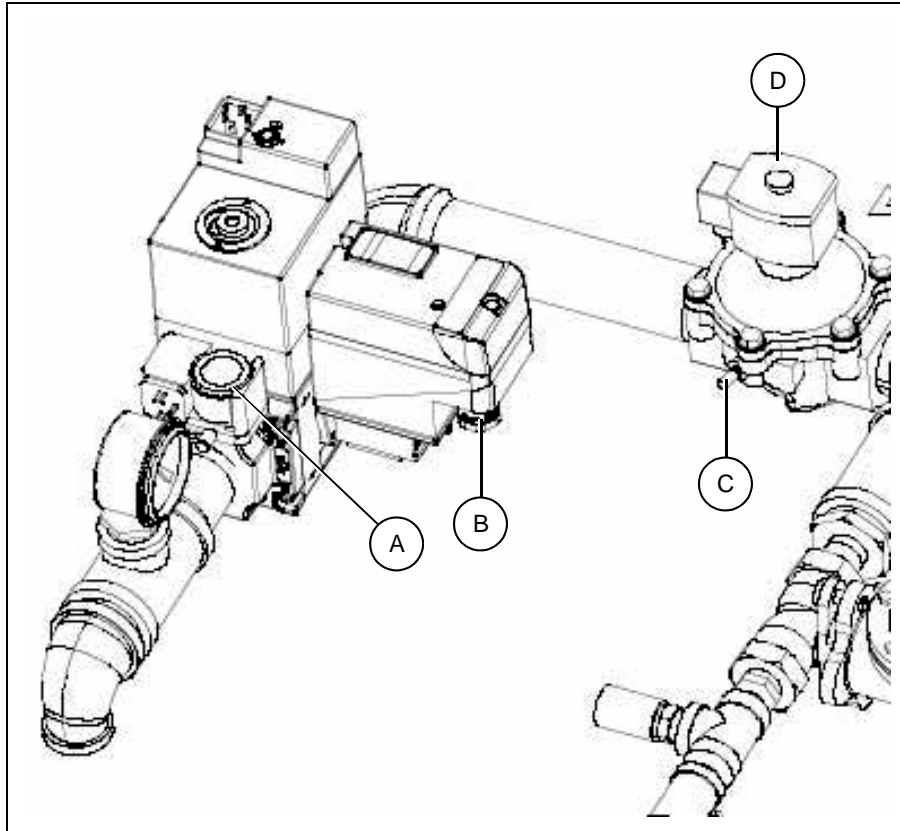


Figure 9A

Ref #	Description
A	High Gas Pressure Switch
B	Valve Proving System
C	Low-Fire Adjustment Screw
D	High-Low Valve

Check the light status on the VPS. Red light indicates leaky valve. VPS is reset by pressing the Reset button.

High Gas Pressure Switch

In addition to the high pressure relief, the main solenoid valve is fitted with a High Pressure switch. This will cause the burner to shut down if the pressure exceeds the pre-set level.

Dryer Commissioning

Electrical

1. Carry out earth bonding test per EN60204 and/or local electrical laws and regulations.
2. Check adequate power supply. (Refer to electrical specifications [Table on Page 11.](#))
3. Voltage at phases must be within 5% of rated voltage.
4. Voltage drop must not exceed 5% when under full load.
5. Check overload settings for each motor circuit.
6. Complete full electrical tests in accordance with EU Directives and local laws, regulations and codes.

Gas Train

1. Pressure test.
 - Close inlet valve.
 - Close firing valve.
 - Fit pressure test nipple into main solenoid inlet flange.
 - Attach hand bellows and pressure gauge.
 - Pressurise gas train with air to 35 kPa (350 mBar).
 - Check for pressure loss at gauge.
 - Use leak detection to test for leaks.
2. Set inlet pressure per fuel specifications [Table on Page 11.](#)
3. Set relief valve to open at 550 mBar (55 kPa).
 - Apply air pressure via main solenoid inlet flange.
 - Increase/decrease spring pressure in relief valve.
 - Valve should open at 55 kPa maximum.
4. Set over High Pressure switch to 500 mBar.
5. Set burner high fire pressure.
 - Note required high fire pressure from fuel specifications [Table on Page 11.](#)
 - Set plenum temperature to approx. 100°C above ambient.
 - Light burners.
 - Check high-low valve is fully open.
 - Read pressure at burner gauge.
 - Adjust pressure a regulator to give required pressure.
 - Lock regulator.

10. Initial Start-Up

Gas Train (Continued)

6. Set burner low-fire pressure.
 - Set plenum temperature to approx. 10°C above ambient.
 - Light burners.
 - On low fire, adjust high-low valve minimum setting to give pressure as per fuel specifications [Table on Page 11](#).
7. Read pressure at burner gauge. ([See Figure 9A on Page 24.](#))
8. Run burners and check burner modulates correctly.
9. Check gas pressure remains stable fill out gas train commissioning check sheet.

Before the dryer is filled, inspect the unit and check the operation of the dryer as follows. Never enter a bin where grain is present.

Set Control Switches

- Moisture Control switch - “ON”
- Aeration Fan switch - “OFF”
- Load Auger switch - “OFF”
- Fan switch - “OFF”
- Heater switch - “OFF”
- Dump switch - “AUTO”
- Dry and Hold switch - “OFF”
- Autoflow Emergency Stop switch - “OUT”
- Actuator switch - “ON”
- Fill System Control Box Emergency Stop switch - “OUT”

11. Pre-Season Checks

Control Power Switch

Turn the control power switch ON. The switch will illuminate. If a fault is found an error message will be displayed on the screen. If all are found safe, the main drying screen will be displayed. (See Figure 11A.)

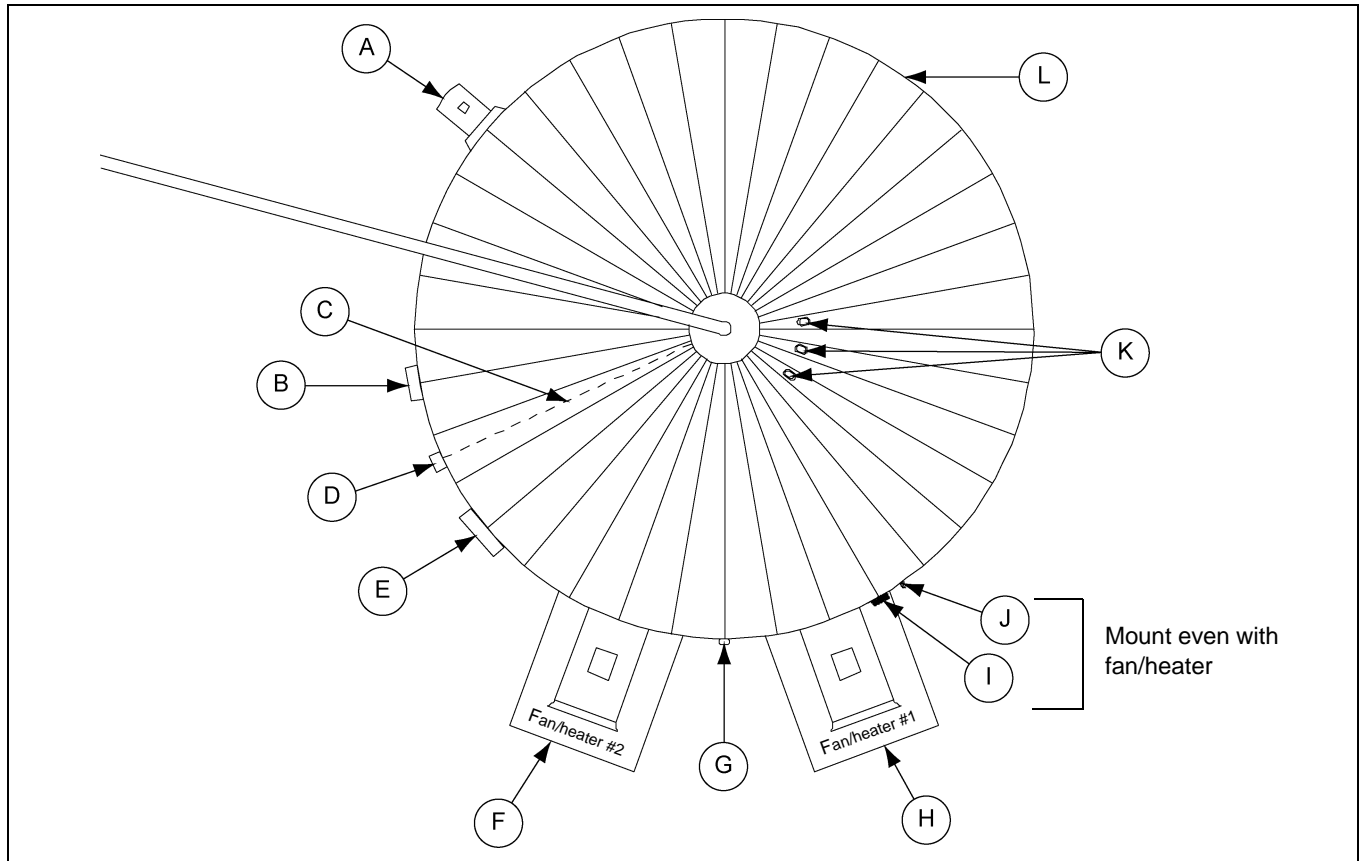


Figure 11A TopDry Component Placement

Ref #	Description
A	Aeration Fan
B	Fill System Control Box Mounted at Eye Level
C	Cable Route
D	Actuator
E	Autoflow Control Box Mounted at Eye Level
F	Slave Fan/heater
G	Storage Chamber Rotary Switch Mounted 3' Below Fan/heater
H	Master Fan/heater
I	Plenum Temperature Sensor
J	Air Switch
K	Drying Chamber Rotary Switches
L	TopDry Drying Bin

Drying Chamber

Inspect each dump hopper for obstructions.

Make sure that the gap between the discharge flow plates and the floor sheets is a minimum of 38 mm.

Rotary Switches

Check all rotary switches are spinning freely.

Linear Actuator

Turn the Dump switch “manual open”.

Check the stroke on the actuator is 300 mm to 350 mm. Adjust if necessary.

Make sure that all pulleys and cables move freely.

With the actuator extended, view each dump chute to make sure they are completely open.

The dump chutes should hinge smoothly.

Turn Dump switch to “AUTO” position and press the Stop switch. The chutes should raise.

Power Start Button

Ensure there is grain in the wet supply tank.

Push the dryer Start button. The screen should no longer flash “STOPPED”.

Fuel Check

Check for leaks as described previously.

Fan

Check fan rotates freely and in the correct direction. (See fan direction decal [on Page 8.](#)) If required reverse the fan by swapping over phases L1 and L3.

Make sure the fan runs smoothly with no vibration.

Aeration Fan

Check fan rotates freely and in the correct direction. (See fan direction decal [on Page 8.](#)) If required reverse the fan by swapping over phases L1 and L3.

Make sure the fan runs smoothly with no vibration.

11. Pre-Season Checks

Fill System

Prepare the wet storage tank to deliver grain to the dryer.

Make sure all personnel clear.

Switch load auger to "AUTO".

Grain should be delivered from the wet supply tank to the dryer.

When the display shows "GRAIN LOW LEVEL YES" close the valve that supplies the fill system(s) with wet grain from the wet supply tank.

When the load auger empties turn it "OFF".

Air Switch

With the drying fan running, adjust the air switch so that it just stops sensing airflow, then increase the air switch sensitivity by 1 full turn.



Figure 11B Air Switch Adjustment

Repeat on the slave unit for 2 fan dryers.

Burner Test Fire

Check burner operation and high-low firing rates as per [on Page 25](#).

Note, the burner control runs a fixed purge period of 35 seconds before the burner lights.

Dryer Shut Down

For long term shut down, allow the burner to burn out by shutting off the fuel whilst burning.

Press Stop.

Emergency

In case of an emergency, push the Emergency Stop switch located on the side of the Autoflow control box and the fill system control box.

TopDry Autoflow Theory of Operation

Control Panel Switch Status

- Control power: “ON”
- Moisture control thermostat: “ON”
- Aeration fan: “AUTO”
- Load auger: “AUTO”
- Fan: “AUTO”
- Heater: “AUTO”
- Dump: “AUTO”
- Dry and hold: “OFF”

Emergency Stop Switch Status

- Autoflow control box emergency stop: “pulled out”
- Fill system control box emergency stop: “pulled out”
- Actuator control box 24V switch: “ON”
- Aeration fan bypass: “enabled”

With no grain in the drying chamber and wet grain in the wet storage tank, fill system #1 and fill system #2 (if fitted) will start.

When grain reaches the Drying Chamber Low Level switch, the aeration fan and the master drying fan will start.

After the fan delay time the slave drying fan (if fitted) will start, the air switch will close and the dry timer will start to count down.

After a 20 seconds purge delay, the fan/heater unit(s) will ignite.

When the plenum temperature reaches the cycle set point, the fan/heater unit(s) will cycle to low-fire.

The fan/heater units will continue to cycle throughout the drying process.

When grain reaches the Chamber High Level switch, the fill #2 delay will begin to count down.

When the fill #2 delay reaches zero, fill system #2 will shut off and the fill #1 delay will begin to count down.

When the fill #1 delay reaches zero fill system #1 will shut off.

If the grain drops below the High Level switch, the fill system(s) will start and refill the drying chamber.

When the dry timer reaches zero, if the grain temperature is below set point, the dryer will go into temperature hold.

When the grain temperature reaches set point, the unit will continue to the dump cycle.

In the dump cycle, the grain is dumped into the storage chamber.

When the dump timer reaches zero, the dump chutes raise.

12. Autoflow Theory

During the dump cycle 1/3 of the grain is dumped into the storage chamber.

After the dump cycle, the unit returns to the beginning of the dry cycle, the fill system(s) refill the drying chamber and the process begins again.

The unit continues with the same operation until either no grain is present against the Wet Supply Rotary switch or the storage chamber becomes full.

If the wet storage tank becomes empty, the fill #1 and fill #2 delays starts to count down.

When the delays reach zero, the fill system(s) and dryer shut off.

Wet supply hopper empty “out of grain” error is displayed. If there is grain above the Drying Chamber Low Level switch, the unit can be re-started by pressing the Start switch.

When the Start switch is pressed, the screen on the dryer control panel will read “press enter to dry remaining grain”. If the Enter button is pushed the dryer will re-start without running the fill system(s). The dryer will remain running until the completion of the next dump cycle, after which an “out of grain” error is displayed on the dryer control panel and the dryer stops.

If the storage chamber reaches full during the dump cycle, the dryer will continue through the dump cycle and will continue to the next dry cycle.

When the dry cycle is complete, the unit will not continue to the dump cycle. A “bin grain high-limit” error will be displayed on the screen and the dryer will stop.

If the dryer stops for any reason, the aeration fan will remain running if the aeration fan bypass is enabled.

Initial Dryer Start-Up

1. With Control Power switch OFF, turn ON the main power supply.
2. Pull out all Emergency Stop switches.
3. Set the switches as follows:
 - Moisture Control switch - “ON”
 - Aeration Fan switch - “AUTO”
 - Load Auger switch - “OFF”
 - Fan switch - “AUTO”
 - Heater switch - “AUTO”
 - Dump switch - “AUTO”
 - Dry and Hold switch - “OFF”
4. Make sure there is wet grain in the wet supply tank.
5. Turn control power “ON” position.
6. The screen will display a copyright message and software version number.
7. The screen should read “STOPPED”. The chamber high level and the chamber low level should both read “NO”.
8. Set the dry timer using the drying charts for the specific bin size, fan and heater size, drying temperature and grain input moisture content.
9. Set the dump timer as follows:
 - 24' Diameter bin = 28 Seconds
 - 30' Diameter bin = 34 Seconds
 - 36' Diameter bin = 31 Seconds
10. Set all other delays and timers as prescribed in the electronic monitoring control section [on Page 16](#) of this manual.
11. Press the Reset button for timer changes to take effect immediately.

13. Start-Up Procedure

12. Set the grain temperature set point as follows:

- 82°C Drying temperature = 38°C Grain temperature set point
- 77°C Drying temperature = 39°C Grain temperature set point
- 71°C Drying temperature = 41°C Grain temperature set point
- 66°C Drying temperature = 42°C Grain temperature set point
- * 60°C Drying temperature = 43°C Grain temperature set point
- * 54°C Drying temperature = 45°C Grain temperature set point
- * 49°C Drying temperature = 46°C Grain temperature set point

* When drying at a temperature lower than 66°C the grain temperature set point on the moisture control thermostat may require a lower setting at right.

13. Press the Start switch on the dryer control panel.



Be sure all personnel are clear of fill systems. Place the Load Auger switch on the dryer control panel to the "AUTO" position.

14. The fill system(s) should start immediately.

15. When the grain reaches the Drying Chamber Low Level switch, the fan and heater(s) should start.

16. When the grain reaches the drying chamber, Low Level Rotary switch reaches the Drying Chamber High Level Rotary switch the fill system(s) should stop.

17. When the dry timer reaches zero, the display should read "TEMP HOLD".

18. When the grain temperature reaches the grain temperature set point, the dryer should continue to the dump cycle.

19. The dump chutes should lower, grain should dump from the drying chamber into the storage chamber and the fill system(s) should start.

20. After the dump cycle, the dryer should continue to the beginning of the next dry cycle.

21. After the fourth dump, stop the dryer.

22. Test the moisture of the dried grain.

23. If the moisture of the grain is too high, increase the grain temperature set point 2.5°C for each additional point of moisture to be removed.

24. If the moisture of the grain is too low, decrease the grain temperature set point 2.5°C for each additional point of moisture to be added.

25. After the moisture control thermostat is adjusted, decrease the time on the dry timer by one-half. The dry timer should not be set lower than the amount of time it takes the dryer to refill after the dump cycle.

26. Re-start the dryer. The time on the dry timer should expire before the grain reaches the temperature set point.

27. Any time a change is made to the grain temperature set point, the dryer must dump four (4) times before the full effect of the change will be made on the moisture of the grain.

Normal Start-Up

When the dryer is started with grain in the drying chamber that has already been partially dried, the dryer can be started without making any adjustments to time or temperature; however, the moisture of the grain should be checked after the fourth dump.

Last Fill

1. Stop the dryer when all the wet grain has been loaded into the drying chamber and turn OFF the Moisture Control switch.
2. Set the time on the dry timer for twice the recommended amount using the charts for the specific bin size, fan and heater size, drying temperature and grain input moisture content.
3. Push the Reset button.
4. Turn the Dry and Hold switch to the "ON" position.
5. Turn the Load Auger switch to the "OFF" position.
6. Press the Start switch.
7. When the dryer shuts down install the fan inlet cover(s).
8. Let the aeration fan cool in the top and store or manually dump into the storage chamber.

NOTES

GSI Group, LLC Limited Warranty

The GSI Group, LLC ("GSI") warrants products which it manufactures to be free of defects in materials and workmanship under normal usage and conditions for a period of 12 months after sale to the original end-user or if a foreign sale, 14 months from arrival at port of discharge, whichever is earlier. The end-user's sole remedy (and GSI's only obligation) is to repair or replace, at GSI's option and expense, products that in GSI's judgment, contain a material defect in materials or workmanship. Expenses incurred by or on behalf of the end-user without prior written authorization from the GSI Warranty Group shall be the sole responsibility of the end-user.

Warranty Extensions:

The Limited Warranty period is extended for the following products:

	Product	Warranty Period	
AP Fans and Flooring	Performer Series Direct Drive Fan Motor	3 Years	* Warranty prorated from list price: 0 to 3 years - no cost to end-user 3 to 5 years - end-user pays 25% 5 to 7 years - end-user pays 50% 7 to 10 years - end-user pays 75% ** Warranty prorated from list price: 0 to 3 years - no cost to end-user 3 to 5 years - end-user pays 50% † Motors, burner components and moving parts not included. Portable dryer screens included. Tower dryer screens not included.
	All Fiberglass Housings	Lifetime	
	All Fiberglass Propellers	Lifetime	
AP and Cumberland	Flex-Flo/Pan Feeding System Motors	2 Years	
Cumberland Feeding/Watering Systems	Feeder System Pan Assemblies	5 Years **	
	Feed Tubes (1-3/4" and 2.00")	10 Years *	
	Centerless Augers	10 Years *	
	Watering Nipples	10 Years *	
Grain Systems	Grain Bin Structural Design	5 Years	
Grain Systems Farm Fans Zimmerman	Portable and Tower Dryers	2 Years	
	Portable and Tower Dryer Frames and Internal Infrastructure †	5 Years	

GSI further warrants that the portable and tower dryer frame and basket, excluding all auger and auger drive components, shall be free from defects in materials for a period of time beginning on the twelfth (12th) month from the date of purchase and continuing until the sixtieth (60th) month from the date of purchase (extended warranty period). During the extended warranty period, GSI will replace the frame or basket components that prove to be defective under normal conditions of use without charge, excluding the labor, transportation, and/or shipping costs incurred in the performance of this extended warranty.

Conditions and Limitations:

THERE ARE NO WARRANTIES THAT EXTEND BEYOND THE LIMITED WARRANTY DESCRIPTION SET FORTH ABOVE. SPECIFICALLY, GSI MAKES NO FURTHER WARRANTY OF ANY KIND, EXPRESS OR IMPLIED, INCLUDING, WITHOUT LIMITATION, WARRANTIES OF MERCHANTABILITY OR FITNESS FOR A PARTICULAR PURPOSE OR USE IN CONNECTION WITH: (I) PRODUCT MANUFACTURED OR SOLD BY GSI OR (II) ANY ADVICE, INSTRUCTION, RECOMMENDATION OR SUGGESTION PROVIDED BY AN AGENT, REPRESENTATIVE OR EMPLOYEE OF GSI REGARDING OR RELATED TO THE CONFIGURATION, INSTALLATION, LAYOUT, SUITABILITY FOR A PARTICULAR PURPOSE, OR DESIGN OF SUCH PRODUCTS.

GSI shall not be liable for any direct, indirect, incidental or consequential damages, including, without limitation, loss of anticipated profits or benefits. The sole and exclusive remedy is set forth in the Limited Warranty, which shall not exceed the amount paid for the product purchased. This warranty is not transferable and applies only to the original end-user. GSI shall have no obligation or responsibility for any representations or warranties made by or on behalf of any dealer, agent or distributor.

GSI assumes no responsibility for claims resulting from construction defects or unauthorized modifications to products which it manufactured. Modifications to products not specifically delineated in the manual accompanying the equipment at initial sale will void the Limited Warranty.

This Limited Warranty shall not extend to products or parts which have been damaged by negligent use, misuse, alteration, accident or which have been improperly/inadequately maintained. This Limited Warranty extends solely to products manufactured by GSI.

Prior to installation, the end-user has the responsibility to comply with federal, state and local codes which apply to the location and installation of products manufactured or sold by GSI.

This equipment shall be installed in accordance with the current installation codes and applicable regulations, which should be carefully followed in all cases. Authorities having jurisdiction should be consulted before installations are made.



**1004 E. Illinois St.
Assumption, IL 62510-0020
Phone: 1-217-226-4421
Fax: 1-217-226-4420
www.gsiag.com**



GSI is a worldwide brand of AGCO Corporation.