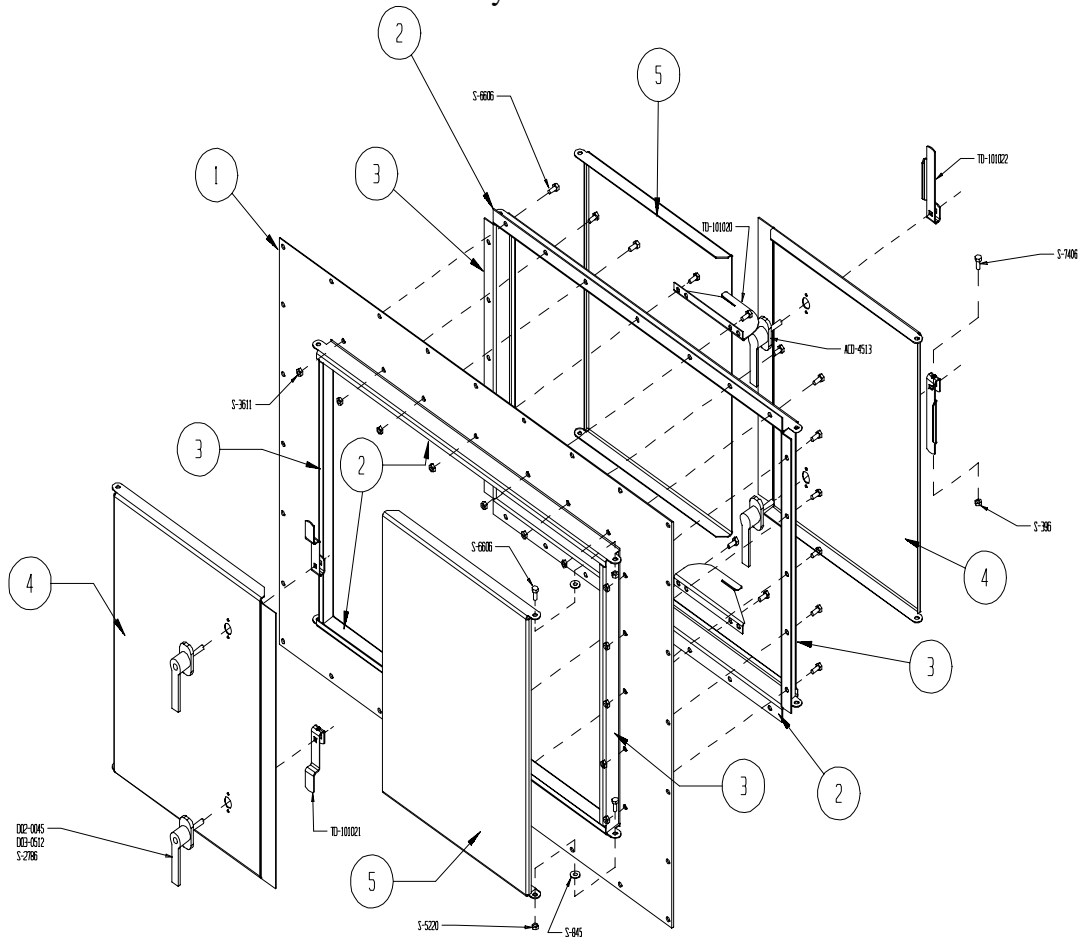


Top Dry Access Door Assembly (TD-100996)

1. Assemble the Z-Frames (TD-100991 & TD-100992) and then attach the Frames (TD-100991 & TD-100992), to the inside of the Access Door Plate (TD-100990). **NOTE: The first set of Z-Frames comes pre-assembled to the Access Door Plate.**
2. Now attach the top and bottom Rear Door Catches (TD-101020) to the back of the Z-Frames. Referring to the layout, position the Catches with the left-hand most hole aligned with the center hole of the Access Door Plate.
3. Using washers to center the doors over the opening, attach the Top Access Door (TD-100993) and the Inside Access Door (TD-100994) to the Z-Frames. Utilize the lockwashers to secure the bolts to the doors. Do **not** overly tighten the lockwas the doors to move freely.
4. Now attach the handles (D02-0045 & D03-0512) to the doors. **NOTE: The locking handles along with the hardware labeled "out," go to the outside doors. The rear handles have their own hardware package.**
5. With the nut and bolt supplied, attach the appropriate latches to the handles and lock them. (Refer to diagram). Adjust front latches (TD-101021) to catch the inside lip of the front Z-Frames. Adjust rear latches (TD-101022) to fit the slot in the top and bottom catches attached to the rear Z-Frames.
6. Attach the assembled access door to the access door panel (TD-101025).



Key	Part #	Description	Qty.
1	TD-100990	Access Door Plate	1
2	TD-100991	Access Top/Bottom Z-Frames	4
3	TD-100992	Access Door Side Z-Frames	4
4	TD-100993	Top Access Door	2
5	TD-100994	Inside Access Door	2
x	TD-101020	Rear Door Catches	2
x	TD-101021	Outside Door Latches	2
x	TD-101020	Inside Door Latches	2
x	D03-0512	Lockable Handle	2
x	D02-0045	Gasket for Lockable Handle	2
x	ACD-4513	Access Door Handle w/Gasket	2