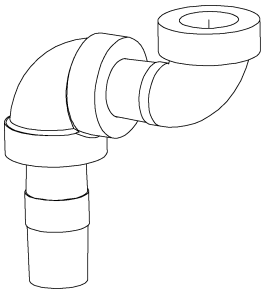


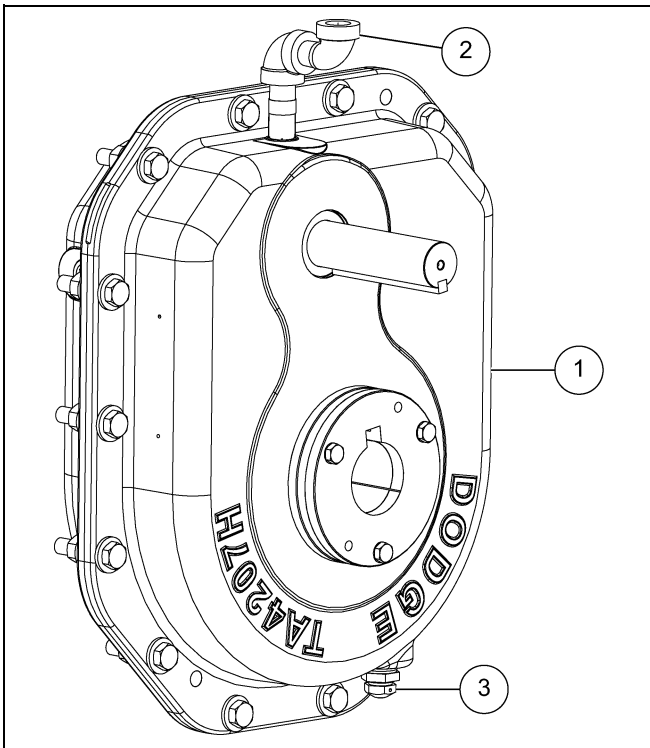


Part	Part #	Description	Used On
	8101333	1/2" Vent Elbow Assembly	TA4, TA5, TA6 and TA7 reducers in "D" position.
	8101335	3/8" Vent Elbow Assembly	TA3 reducers in "D" position.

Installing the Vent Elbow Assembly

Reducer is shown in "D" position - Input shaft at the top.

1. Remove the magnetic drain plug (3) from the top of the reducer (1) and replace with the proper vent elbow assembly (2).
2. Remove the vent plug from the bottom of the reducer (1) and replace with the magnetic drain plug (3) removed from the top.
3. Install the vent plug removed from the bottom of the reducer (1) to the top of the vent elbow assembly (2).



Ref #	Description
1	Reducer
2	Vent Elbow Assembly
3	Magnetic Drain Plug

Figure 1 Installing the Vent Elbow Assembly

NOTE: Refer to Dodge manual for proper oil type and capacity in "D" position with double reduction.

