

Metric In-Line Mount and Cross-Cut Mount Flush Style Intermediate Discharge Gates

Installation Manual

PNEG-2023

Version: 4.0

Date: 11-16-21





**Declaration of Conformity
ATEX DIRECTIVE
2014/34/EU**



AGCO Hungary Kft.
1117 Budapest,
Aliz Street 4,
Hungary

We, AGCO Grain and Protein declare that the machine, parts or equipment:

GSI Slide Gates Models:

Size	Model #	Voltage (V)	Power (kW)	Linear Speed (m/s) (Max.)	Rating
12" x 12"	RSG1212GM-X21	220-440 AC	0.33	0.0626	II2D; Ex h IIIB T125°C Db
14" x 14"	RSG1414GM-X21	220-440 AC	0.33	0.0626	
16" x 16"	RSG1616GM-X21	220-440 AC	0.33	0.0626	
18" x 18"	RSG1818GM-X21	220-440 AC	0.33	0.0626	
17" x 17"	ISCC1717GM-X21	220-440 AC	0.33	0.0626	
12" x 12"	RSG1212GM-X22	220-440 AC	0.33	0.0626	II3D; Ex h IIIB T125°C Dc
14" x 14"	RSG1414GM-X22	220-440 AC	0.33	0.0626	
16" x 16"	RSG1616GM-X22	220-440 AC	0.33	0.0626	
18" x 18"	RSG1818GM-X22	220-440 AC	0.33	0.0626	
17" x 17"	ISCC1717GM-X22	220-440 AC	0.33	0.0626	

Are in conformity with the Essential Requirements of the ATEX Directive 2014/34/EU, as follows:

- | | |
|--------------------------------|---|
| • Equipment Group | III |
| • Equipment Category | 2/3 (see rating above) |
| • Combustible Material | Grain Dust |
| • Minimum Ignition Temperature | 380°C (maximum design surface temperature = 125°C) |
| • Technical File Number | RSG-ATEX-090921 |
| • Notified Body | Teknologisk Institut, Teknologiparken, Kongsvang Allé
29,DK-8000 Århus |

In accordance with the following standards:

- EN IEC 60079-0:2017-12 Explosive atmospheres - Part 0: Equipment - General requirements.
- EN ISO 80079-36:2016 Explosive atmospheres - Part 36: Non-electrical equipment for explosive atmospheres - Basic method and requirements.
- EN ISO 80079-37:2016 Explosive atmospheres - Part 37: Non-electrical equipment for explosive atmospheres - Non-electrical type of protection constructional safety "c", control of ignition sources "b", liquid immersion "k".

The equipment above must not be put into service until the machinery into which it is to be incorporated has been declared in conformity with the provisions of all relevant Directives or until these components have been assembled in the manner recommended in the manufacturers instructions.

Signed :

Contents

Chapter 1 Safety	4
Safety Guidelines	4
Cautionary Symbols Definitions	5
Safety Cautions	6
Correct Use	8
Correct Installation	8
Electrical Safety	9
Electrical Installation	10
Safety Sign-Off Sheet	11
Chapter 2 Decals	12
Chapter 3 Installation	14
Overall Flush Gate Dimensions	14
Cut Trough Bottom for Gate Placement	15
Manual Gate Installation	16
Motor Driven Gate Installation for Cross-Cut Discharge Gate	17
Motor Driven Gate Installation for In-Line Mount Discharge Gate	18
Cross-Cut Discharge Gate Limit Switch Installation	19
In-Line Discharge Gate Limit Switch Installation	21
Installing the Gate to the Trough Bottom	24
Flipping the Shaft to Change Gate Drive Side	25
Chapter 4 ATEX Compliant RSG Slide Gates	26
Electrical Installation	26
Maintenance	26
Wiring for Motor Control Circuit	27
Wiring for Safety Control Circuit	28
Chapter 5 Warranty	29

Safety Guidelines

Safety guidelines are general-to-specific safety rules that must be followed at all times. This manual is written to help you understand safe operating procedures and problems that can be encountered by the operator and other personnel when using this equipment. Read and save these instructions.

As owner or operator, you are responsible for understanding the requirements, hazards, and precautions that exist and to inform others as required. Unqualified persons must stay out of the work area at all times.

Alterations must not be made to the equipment. Alterations can produce dangerous situations resulting in **SERIOUS INJURY** or **DEATH**.

This equipment must be installed in accordance with the current installation codes and applicable regulations, which must be carefully followed in all cases. Authorities having jurisdiction must be consulted before installations are made.

When necessary, you must consider the installation location relative to electrical, fuel and water utilities.

Personnel operating or working around equipment must read this manual. This manual must be delivered with equipment to its owner. Failure to read this manual and its safety instructions is a misuse of the equipment.

ST-0001-4

Cautionary Symbols Definitions

Cautionary symbols appear in this manual and on product decals. The symbols alert the user of potential safety hazards, prohibited activities and mandatory actions. To help you recognize this information, we use the symbols that are defined below.



This symbol indicates an imminently hazardous situation which, if not avoided, **will result in serious injury or death.**



This symbol indicates a potentially hazardous situation which, if not avoided, **can result in serious injury or death.**



This symbol indicates a potentially hazardous situation which, if not avoided, **can result in minor or moderate injury.**



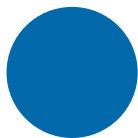
This symbol is used to address practices not related to personal injury.



This symbol indicates a general hazard.



This symbol indicates a prohibited activity.



This symbol indicates a mandatory action.

ST-0005-2

Safety Cautions

Use Personal Protective Equipment

- Use appropriate personal protective equipment:

Eye Protection



Respiratory Protection



Foot Protection



Hearing Protection



Head Protection



Fall Protection



Hand Protection



- Wear clothing appropriate to the job.
- Remove all jewelry.
- Tie long hair up and back.

ST-0004-1

Follow Safety Instructions

- Carefully read all safety messages in this manual and safety signs on your machine. Keep signs in good condition. Replace missing or damaged safety signs. Be sure new equipment components and repair parts include the current safety signs. Replacement safety signs are available from the manufacturer.
- Learn how to operate the machine and how to use controls properly. Do not let anyone operate without instruction.
- If you do not understand any part of this manual or need assistance, contact your dealer.



ST-0002-1

Maintain Equipment and Work Area

- Understand service procedures before doing work. Keep area clean and dry.
- Never service equipment while it is operating. Keep hands, feet, and clothing away from moving parts.
- Keep your equipment in proper working condition. Replace worn or broken parts immediately.



ST-0003-1

Toxic Fume and Dust Hazard

- Do all work outside or in a well-ventilated area. Dispose of paint and solvent properly.
- Remove paint before welding or heating:
 - Avoid potentially toxic fumes and dust. Hazardous fumes can be generated when paint is heated by welding, soldering, or using a torch.
 - If you sand or grind paint, avoid breathing the dust. Wear an approved respirator.
 - If you use solvent or paint-stripper, remove stripper with soap and water before welding.
 - Remove solvent or stripper containers and other flammable material from area. Allow fumes to disperse at least 15 minutes before welding or heating.



ST-0043-2

Operate Motor Properly

- All electrical connections must be made in accordance with applicable local codes (National Electrical Code for the US, Canadian Electric Code, or EN60204 along with applicable European Directives for Europe). Make sure equipment and bins are properly grounded.
- Lock-out power before resetting motor overloads.
- Do not repetitively stop and start the drive in order to free a plugged condition. Jogging the drive in this manner can damage the equipment and drive components.



ST-0009-3

Stay Clear of Slide Gate

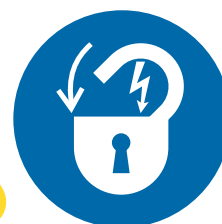
- Keep hands away from slide gate opening. Slide gates can crush and dismember. Motor can start at any time.
- Lock-out power source before making adjustments, cleaning, or maintaining equipment.



ST-0049-1

Stay Clear of Rotating Parts

- Do not service equipment while the equipment is in operation.
- Entanglement in rotating shafts or exposed conveyor belts will cause serious injury or death.
- Keep all guards and covers in place at all times.
- Lock-out power source before making adjustments, cleaning, or maintaining equipment.



ST-0092-1

1. Safety

Correct Use

1. GSI Slide gates (RSG and ISCC) shall be used only for the control of material flowing into or out of chain or belt conveyors.
2. Suitable materials may include:
 - a. Free flowing whole or crushed agricultural grains and may include milled materials, such as flours.
 - b. Free flowing, dry, non-flammable granular agricultural fertilisers.
 - c. Free flowing wood chip.
3. All other uses are precluded. In particular they shall not be used for:
 - a. Liquids, semi-liquids, sludges or slurries.
 - b. Volatile materials.
 - c. Coal, stone, sand or gravel.
 - d. Materials intended for immediate human consumption.
 - e. Fibrous materials or others prone to 'hair-pinning' or bridging.
4. When switching between materials being handled through the gates, care shall be taken not to handle materials that are or may become incompatible with each other. The operator should be aware that between successive uses, some material may remain in the gate.

Correct Installation

1. The installer shall ensure that the slide gate is installed in a location where it is free from any vibration which could result in a potential ignition source or damage to the slide gate.
2. At all times, the moving parts of the gate (slide, shafts, chain drive, rack and pinion) shall remain guarded or out of reach of personnel.
3. Where the gate is installed to allow free inlet or discharge (i.e., not connected directly to a conveyor) the exposed inlet or outlet shall be fitted with a duct or spout which provides a safe distance between the moving parts and any personnel. This includes moving parts in the conveyor as well as those in the gate. Reference should be made to EN ISO 13857.
4. When providing protection referred in above step, the installer may need to add suitable guarding to the outlet/inlet, where the dimensions of the spout/duct alone does not provide adequate protection.
5. Where the ATEX classification allows, the gates may be used in a potentially explosive area or on the boundary of such areas. Refer to the rating plate [on Pages 12 and 13](#) and to the declaration in this manual for the limitations of such use.
6. When used in a potentially explosive environment, the installer has a responsibility to ensure that the entirety on the installation, all connected machines, components, parts, controls and systems are certified to the same or better classification and that the collection of machines, components, parts, controls and systems does not reduce the rating or detract from the effectiveness of any ignition source protection provided on the slide gate or other equipment.
7. The slide gate shall be accessible to facilitate cleaning, maintenance or repair. The system shall be designed and installed so that it can be opened to provide access to the moving parts of the slide gate, to allow access for cleaning. Note that some materials handled through the gate may become adhered to internal parts and require removal to prevent further build-up and potential blockage.

Electrical Safety

Equipment shall include:



1. Fuse protected main power supply.

- a. The electrical supply should include earth leakage protection, e.g. Residual Current Device (RCD) or Residual Current Circuit Breaker (RCCB), to provide automatic disconnection in the event of a fault.

2. Lockable main safety disconnect.



- a. Disconnects all electrical power.

3. Lockable motor service disconnect.



- a. Adjacent to each motor (or group of motors).
b. Disconnects all power to the motors.

4. Emergency stops.



- a. Stops all equipment immediately when pressed.
b. Must remain engaged until manually disengaged.
c. Equipment shall not immediately re-start when the emergency stop is re-set.

5. Door safety interlocks - where doors provide access to dangerous machinery.



- a. Immediately stops and prevents re-start of all equipment when the door is open.
b. Equipment shall not immediately re-start when the door is closed.
c. Safety switches shall be SIL3 in accordance with IEC62061:2005.
d. Safety circuits should be Category 3 in accordance with EN 954-1:1997 or PL'c' in accordance with ISO 13849-1:2006.

6. The electrical supply must include a properly designed protective earth system (PE), with connection to all exposed conductive parts.



7. All motors shall be connected to protective earth at the terminal provided.

1. Safety

8. The control system shall include.

a. Short circuit protection.



b. Start/stop controls (labelled 1 and 0 respectively).



9. Equipment shall not immediately re-start following re-establishment of power.

10. Motor circuits shall include over current protection set according to the full load current, stated on the motor rating plate.

11. Motor thermal protection may also be required.

12. All electrical design, installation and testing must be carried out by a qualified electrical engineer, in accordance with EU Directives and Standards, local laws and codes.

Electrical Installation

1. A safety related control system is essential to the use of the slide gate in, or on the boundary of, ATEX zone 21D.

2. Connection of the motor thermistors shall be made to the safety controls to bring the entire handling system to a stop, or provide a warning, in the event of the motor or gear reducer temperature rising above the manufacturer design maximum.

3. Motor over-current protection shall be used to prevent mechanical damage and risk of ignition sources becoming effective in the event of the slide becoming blocked. The current setting of this device shall be equal to or less than the maximum motor current stated on the motor rating plate.

4. Short circuit protection shall be applied to cause immediate, automatic disconnection in the event of a short circuit anywhere in the control system.

5. The installer shall use a safety related control system with minimum performance level PL'c' in accordance with IEC 13849 or 'b1' in accordance with EN 80079-37.

6. Example safety related controls are shown in [Figure 4A on Page 27](#) and [Figure 4B on Page 28](#).


2. Decals

Please remember, safety decals provide important safety information for people working near equipment that is in operation. If a safety sign cannot be easily read for any reason or has been painted over, replace it immediately. Additional safety signs may be obtained from your dealer, distributor or ordered from the factory free of charge.

Contact:













GSI Group

1004 E. Illinois St.
Assumption, IL. 62510
Phone: 1-217-226-4421

Location	Decal #	Decal	Description
Located on the In-Line Mount and Cross-Cut Mount Discharge Gates	DC-1248	 <p style="font-size: small;">GSI Group 217-226-4421 DC-1248</p>	Decal, Warning Slide Gate

Each slide gate shall be fitted with a rating plate as follows, depending on the zone classification requested:

Slide Gate	Rating Plate	<table border="1" style="width: 100%; text-align: center;"> <tr> <td colspan="2">AGCO Hungary Kft.</td> </tr> <tr> <td colspan="2">1117 Budapest, Aliz Street 4, Hungary</td> </tr> <tr> <td colspan="2">SLIDE GATE</td> </tr> <tr> <td colspan="2">ISCC1717GM</td> </tr> <tr> <td>Size</td> <td>17 x 17</td> </tr> <tr> <td>Max Gate Speed</td> <td>0.0626 m/s</td> </tr> <tr> <td>Ambient Temperature</td> <td>-20°C - +40°C</td> </tr> <tr> <td>SN</td> <td>-</td> </tr> <tr> <td>Date</td> <td>10 September 2021</td> </tr> <tr> <td></td> <td>0.33 kw</td> </tr> <tr> <td></td> <td>3 -</td> </tr> <tr> <td></td> <td>400V (AC)</td> </tr> <tr> <td></td> <td>0.7A</td> </tr> <tr> <td></td> <td>50 Hz</td> </tr> <tr> <td colspan="2" style="font-size: 2em;">CE</td> </tr> </table>	AGCO Hungary Kft.		1117 Budapest, Aliz Street 4, Hungary		SLIDE GATE		ISCC1717GM		Size	17 x 17	Max Gate Speed	0.0626 m/s	Ambient Temperature	-20°C - +40°C	SN	-	Date	10 September 2021		0.33 kw		3 -		400V (AC)		0.7A		50 Hz	CE		Non-ATEX Installation
AGCO Hungary Kft.																																	
1117 Budapest, Aliz Street 4, Hungary																																	
SLIDE GATE																																	
ISCC1717GM																																	
Size	17 x 17																																
Max Gate Speed	0.0626 m/s																																
Ambient Temperature	-20°C - +40°C																																
SN	-																																
Date	10 September 2021																																
	0.33 kw																																
	3 -																																
	400V (AC)																																
	0.7A																																
	50 Hz																																
CE																																	

Location	Decal #	Decal	Description																												
Slide Gate	Rating Plate	<table border="1"> <tr> <td colspan="2" style="text-align: center;">AGCO Hungary Kft. 1117 Budapest, Aliz Street 4, Hungary</td> </tr> <tr> <td colspan="2" style="text-align: center;">SLIDE GATE</td> </tr> <tr> <td colspan="2" style="text-align: center;">ISCC1717GM-X22</td> </tr> <tr> <td style="text-align: center;">Size</td> <td style="text-align: center;">17 x 17</td> </tr> <tr> <td style="text-align: center;">Max Gate Speed</td> <td style="text-align: center;">0.0626 m/s</td> </tr> <tr> <td style="text-align: center;">Ambient Temperature</td> <td style="text-align: center;">-20°C - +40°C</td> </tr> <tr> <td style="text-align: center;">SN</td> <td style="text-align: center;">-</td> </tr> <tr> <td style="text-align: center;">Date</td> <td style="text-align: center;">10 September 2021</td> </tr> <tr> <td colspan="2" style="text-align: center;">0.33 kw</td> </tr> <tr> <td colspan="2" style="text-align: center;">3 -</td> </tr> <tr> <td colspan="2" style="text-align: center;">400V (AC)</td> </tr> <tr> <td colspan="2" style="text-align: center;">0.7A</td> </tr> <tr> <td colspan="2" style="text-align: center;"></td> </tr> <tr> <td style="text-align: center;"> II3D; Ex h IIIB T125°C Dc</td> <td style="text-align: center;">50 Hz</td> </tr> </table>	AGCO Hungary Kft. 1117 Budapest, Aliz Street 4, Hungary		SLIDE GATE		ISCC1717GM-X22		Size	17 x 17	Max Gate Speed	0.0626 m/s	Ambient Temperature	-20°C - +40°C	SN	-	Date	10 September 2021	0.33 kw		3 -		400V (AC)		0.7A				 II3D; Ex h IIIB T125°C Dc	50 Hz	Zone 22D Installation
AGCO Hungary Kft. 1117 Budapest, Aliz Street 4, Hungary																															
SLIDE GATE																															
ISCC1717GM-X22																															
Size	17 x 17																														
Max Gate Speed	0.0626 m/s																														
Ambient Temperature	-20°C - +40°C																														
SN	-																														
Date	10 September 2021																														
0.33 kw																															
3 -																															
400V (AC)																															
0.7A																															
																															
 II3D; Ex h IIIB T125°C Dc	50 Hz																														
Slide Gate	Rating Plate	<table border="1"> <tr> <td colspan="2" style="text-align: center;">AGCO Hungary Kft. 1117 Budapest, Aliz Street 4, Hungary</td> </tr> <tr> <td colspan="2" style="text-align: center;">SLIDE GATE</td> </tr> <tr> <td colspan="2" style="text-align: center;">ISCC1717GM-X21</td> </tr> <tr> <td style="text-align: center;">Size</td> <td style="text-align: center;">17 x 17</td> </tr> <tr> <td style="text-align: center;">Max Gate Speed</td> <td style="text-align: center;">0.0626 m/s</td> </tr> <tr> <td style="text-align: center;">Ambient Temperature</td> <td style="text-align: center;">-20°C - +40°C</td> </tr> <tr> <td style="text-align: center;">SN</td> <td style="text-align: center;">-</td> </tr> <tr> <td style="text-align: center;">Date</td> <td style="text-align: center;">10 September 2021</td> </tr> <tr> <td colspan="2" style="text-align: center;">0.33 kw</td> </tr> <tr> <td colspan="2" style="text-align: center;">3 -</td> </tr> <tr> <td colspan="2" style="text-align: center;">400V (AC)</td> </tr> <tr> <td colspan="2" style="text-align: center;">0.7A</td> </tr> <tr> <td colspan="2" style="text-align: center;"></td> </tr> <tr> <td style="text-align: center;"> II2D; Ex h IIIB T125°C Db</td> <td style="text-align: center;">50 Hz</td> </tr> </table>	AGCO Hungary Kft. 1117 Budapest, Aliz Street 4, Hungary		SLIDE GATE		ISCC1717GM-X21		Size	17 x 17	Max Gate Speed	0.0626 m/s	Ambient Temperature	-20°C - +40°C	SN	-	Date	10 September 2021	0.33 kw		3 -		400V (AC)		0.7A				 II2D; Ex h IIIB T125°C Db	50 Hz	Zone 21D Installation
AGCO Hungary Kft. 1117 Budapest, Aliz Street 4, Hungary																															
SLIDE GATE																															
ISCC1717GM-X21																															
Size	17 x 17																														
Max Gate Speed	0.0626 m/s																														
Ambient Temperature	-20°C - +40°C																														
SN	-																														
Date	10 September 2021																														
0.33 kw																															
3 -																															
400V (AC)																															
0.7A																															
																															
 II2D; Ex h IIIB T125°C Db	50 Hz																														

3. Installation

Overall Flush Gate Dimensions

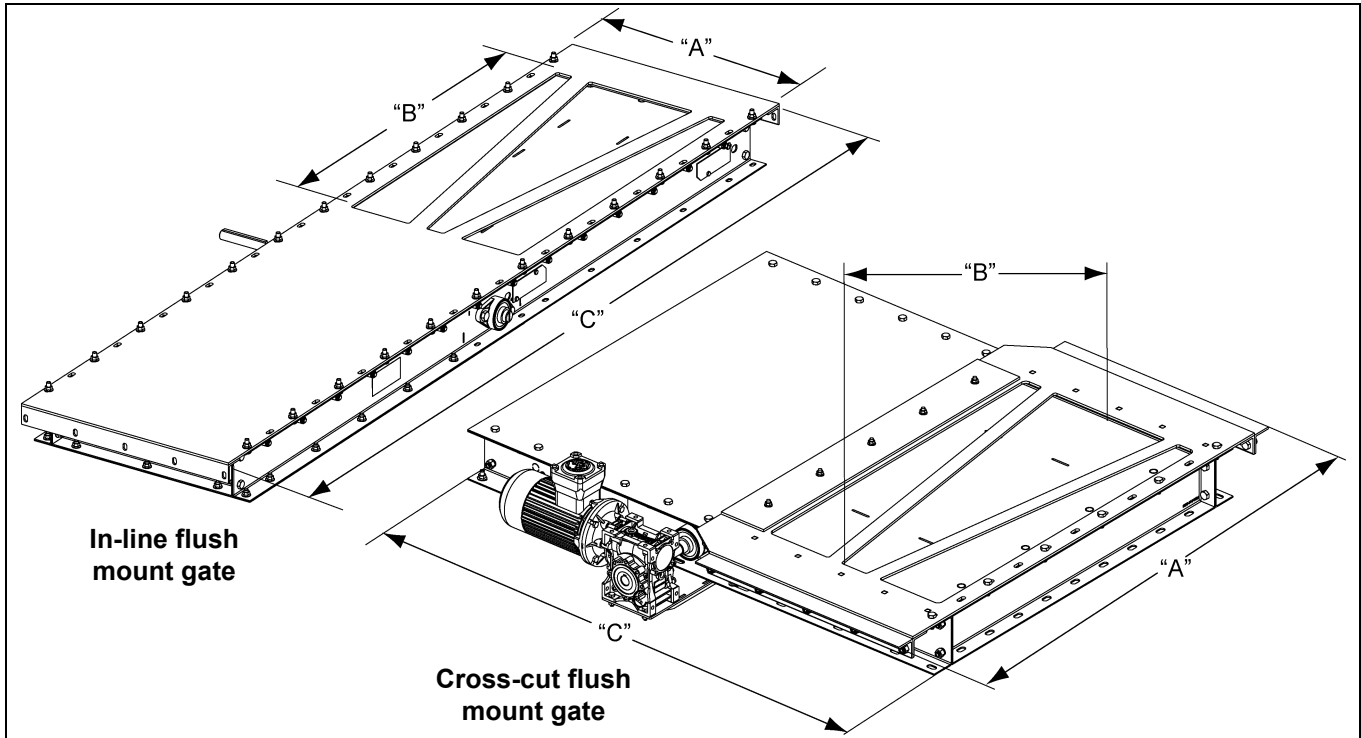


Figure 3A Overall Flush Gate Dimensions

Overall Flush Gate Dimensions

Gate Size (Conveyor Width)		"A" mm (in.)	"B" mm (in.)	"C" mm (in.)
09	In-Line	381 (15")	914.4 (36")	2413 (95")
	Cross-Cut	1163.65 (45.813")	908.05 (35-3/4")	1022.35 (40-1/4")
12	In-Line	406.4 (16")	914.4 (36")	2413 (95")
	Cross-Cut	1163.65 (45.813")	908.05 (35-3/4")	1123.95 (44-1/4")
14	In-Line	457.2 (18")	914.4 (36")	2413 (95")
	Cross-Cut	1163.65 (45.813")	908.05 (35-3/4")	1225.55 (48-1/4")
16	In-Line	508 (20")	914.4 (36")	2413 (95")
	Cross-Cut	1163.65 (45.813")	908.05 (35-3/4")	1327.15 (52-1/4")
20	In-Line	609.6 (24")	914.4 (36")	2413 (95")
	Cross-Cut	1163.65 (45.813")	908.05 (35-3/4")	1530.35 (60-1/4")
21	In-Line	635 (25")	914.4 (36")	2413 (95")
	Cross-Cut	1163.65 (45.813")	908.05 (35-3/4")	1581.15 (62-1/4")
26	In-Line	762 (30")	914.4 (36")	2413 (95")
	Cross-Cut	1163.65 (45.813")	908.05 (35-3/4")	1835.15 (72-1/4")
32	In-Line	914.4 (36")	914.4 (36")	2413 (95")
	Cross-Cut	1163.65 (45.813")	908.05 (35-3/4")	2139.95 (84-1/4")

Cut Trough Bottom for Gate Placement

1. Start by locating the center of the proposed discharge location. Dimension "A" shown in [Figure 3B](#).
2. If holes cannot be aligned, new holes must be drilled in the trough side bottom flanges.
3. Dimension "B" would be 2413 mm (95") for in-line gates or 1163.65 mm (45.813") for cross-cut gates.
4. Center this dimension "B" around the point found with the dimension "A" and cut the bottom as straight as possible on either side of the center.
5. Weld the extra angle iron flanges (3) provided with the gate to each trough bottom cut, as shown in [Figure 3B](#), so that the gate can be bolted to each side. Stitch weld edges 51 mm (2") long with 38 mm (1-1/2") spacing.
6. Remove the burrs on the inside edge of the trough bottom.
7. Apply paint to welds on the outside of the trough.

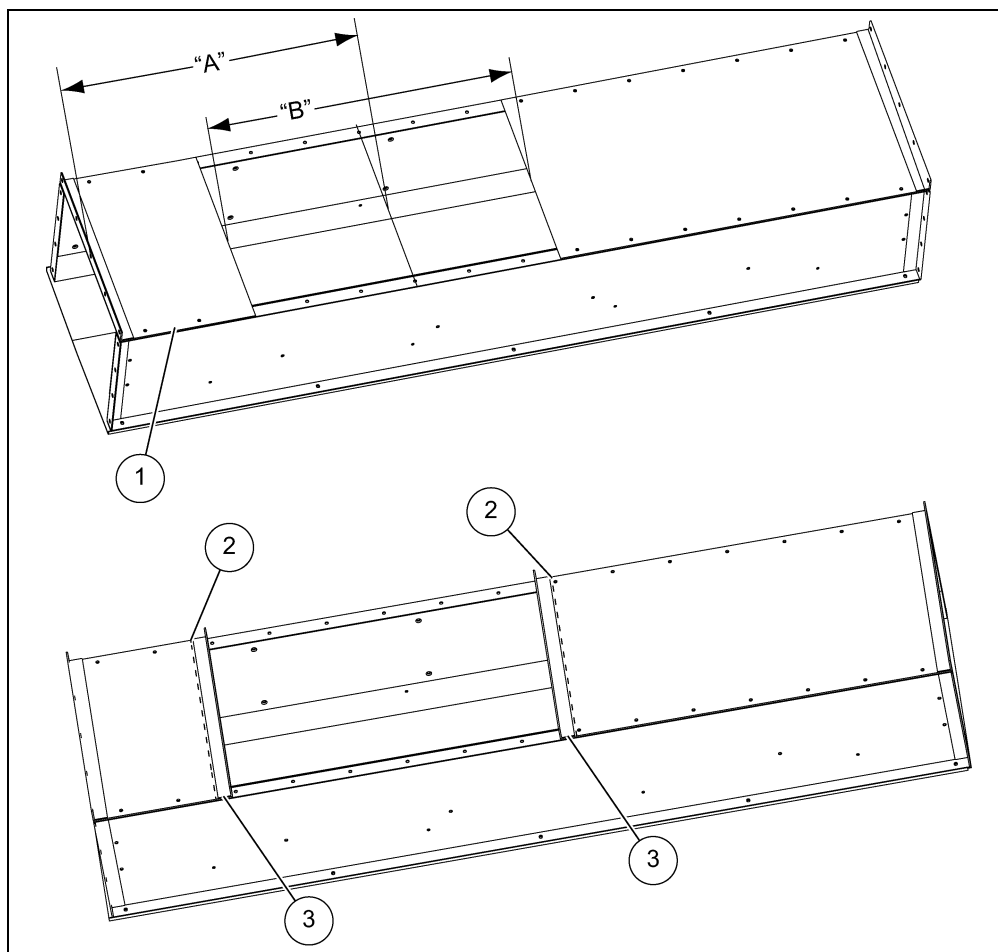


Figure 3B

Ref #	Description
1	Conveyor Bottom
2	Weld these two edges stitch weld 50.8 mm (2") long 38.1 mm (1-1/2") spacing.
3	Angle Iron Flanges

3. Installation

Manual Gate Installation

Manually Operated Gate

1. Install the specified wheel to the shaft by aligning the key (6) and key way, then tighten the set screw. This gate can be operated by a chain, cable or hand wheel (7). (See Figure 3C.)
2. All flush mount style gates have a double gear rack for slide actuation.
3. The slide plate rides on 35 mm (1-3/8") double shielded radial bearings, as well as being guided and sealed by UHMW strips for smooth operation.

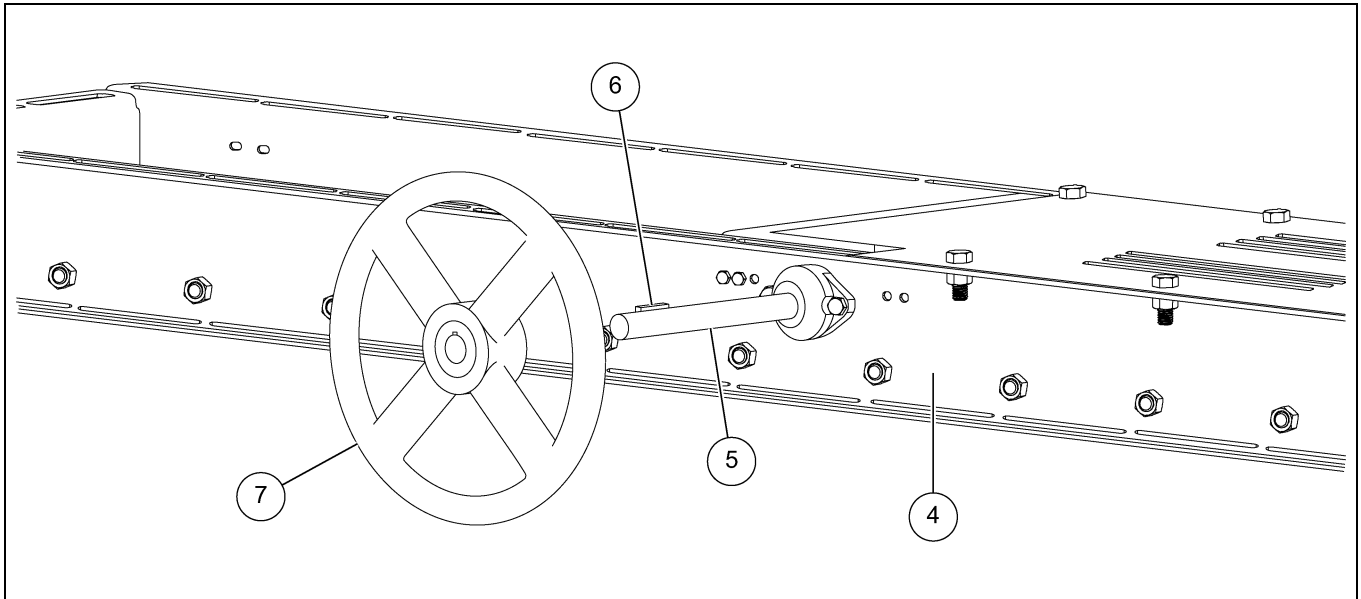


Figure 3C Manual Gate Installation

Ref #	Description
4	Gate Frame
5	Shaft
6	Key
7	Hand Wheel (Chain wheel and cable wheel are optional.)

Motor Driven Gate Installation for Cross-Cut Discharge Gate

Installing the Motor Bracket

1. Install the motor bracket (9) to the gate. Then attach the motor (8) to the bracket (9) as shown in [Figure 3D](#) using the provided hardware.

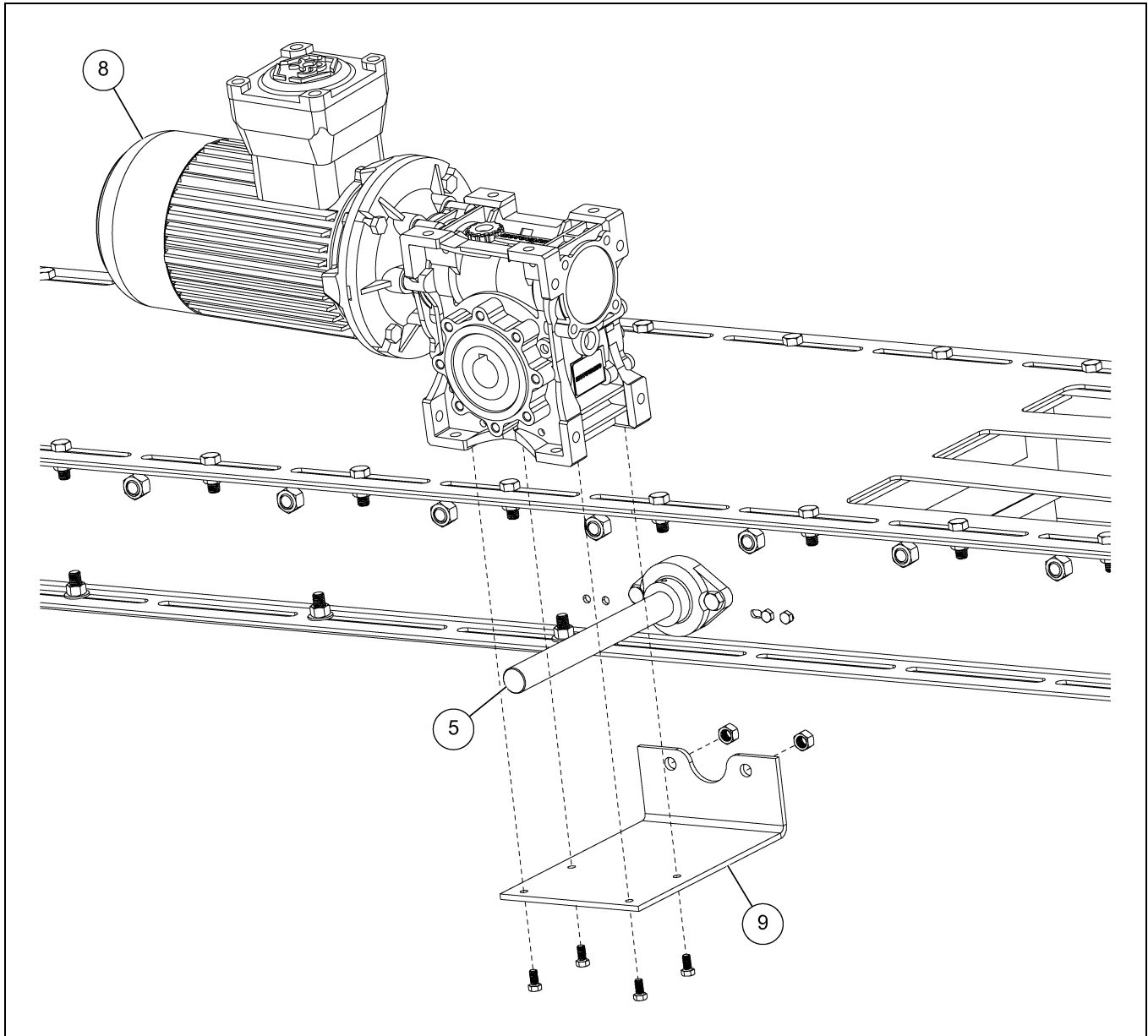


Figure 3D *Installing the Motor Bracket - Cross Cut*

Ref #	Description
5	Shaft
8	Motor
9	Motor Bracket

3. Installation

Motor Driven Gate Installation for In-Line Mount Discharge Gate

Installing the Motor Bracket

1. Install the motor bracket (9) to the gate. Then attach the motor (8) to the bracket (9) as shown in [Figure 3E](#) using the provided hardware.

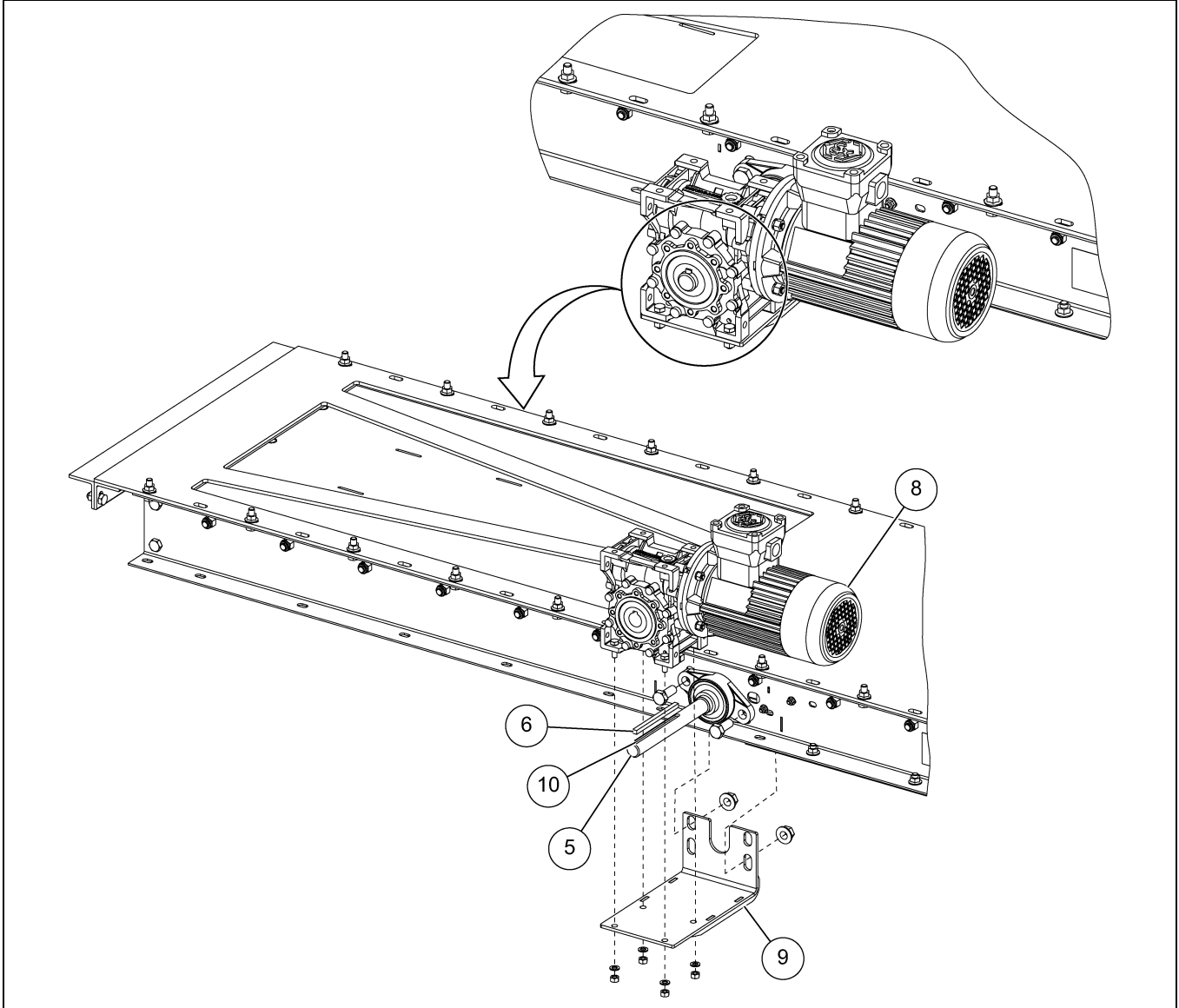


Figure 3E Installing the Motor Bracket - In-Line

Ref #	Description
5	Shaft
6	Key
8	Motor
9	Motor Bracket
10	Key Way

Cross-Cut Discharge Gate Limit Switch Installation

1. Cross-cut switches are installed on the opposite corners to the inside of the gate frame.
(See Figure 3F.)

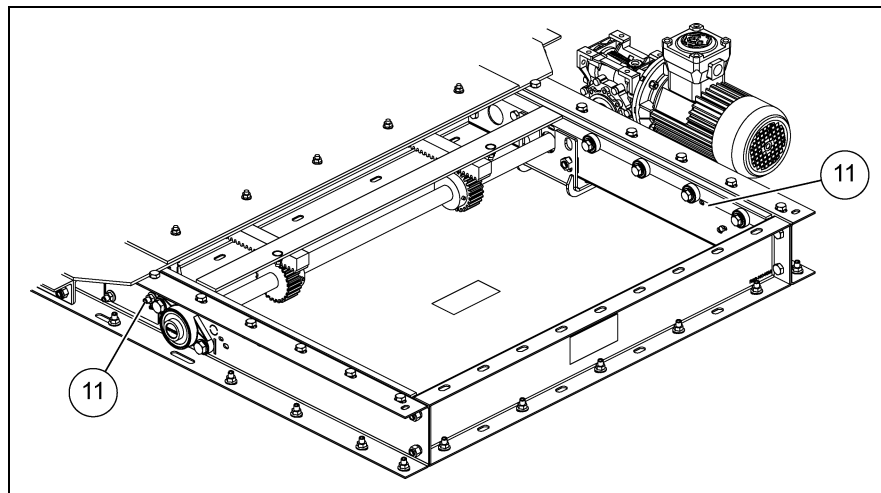


Figure 3F

Ref #	Description
11	Switch Location

2. Install the limit switch (13) to the inside of the gate frame (4). Knock out the hole (12) where indicated to install the switch through the gate frame. (See Figure 3G.)

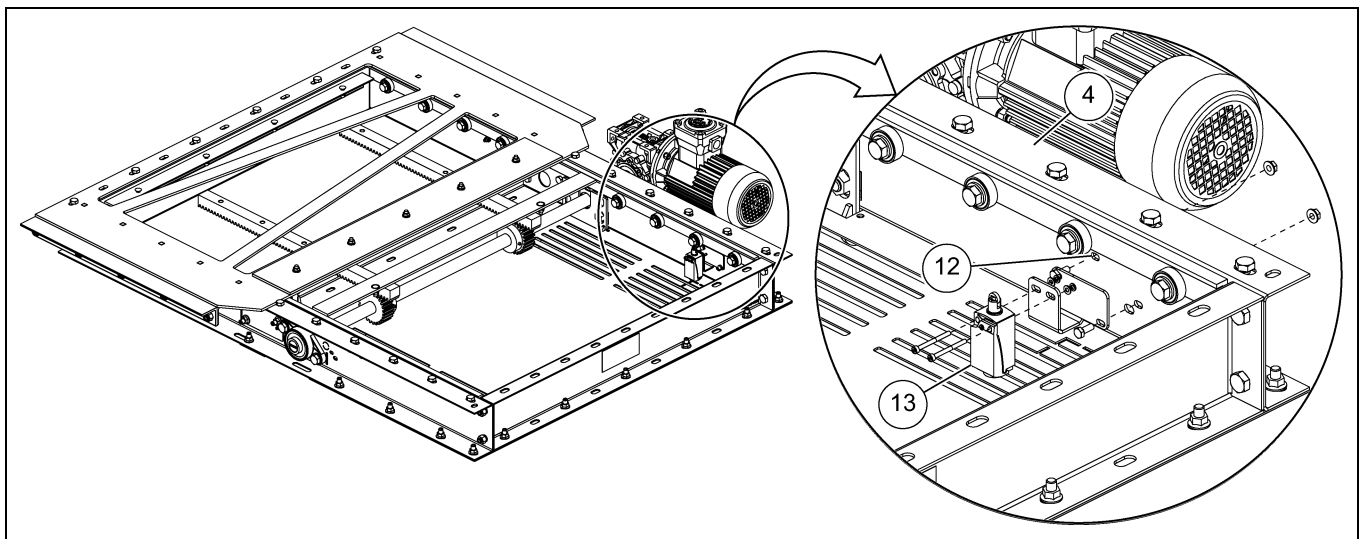


Figure 3G

Ref #	Description
4	Gate Frame
12	Knock Out Hole
13	Limit Switch

3. Installation

Cross-Cut Discharge Gate Limit Switch Installation (Continued)

3. Install the switch levers vertically. When the switch target on the gate push in the limit switch arm vertically, the motor will stop. (See [Figure 3H](#) and [Figure 3I](#).)

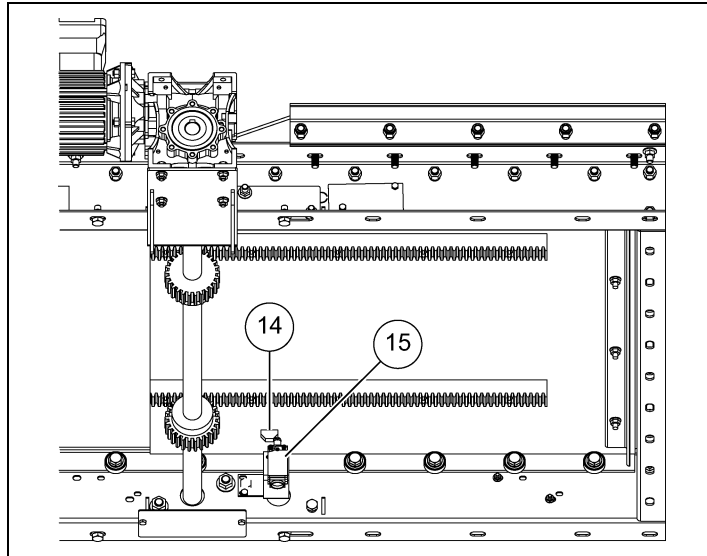


Figure 3H *Closed Position*

Ref #	Description
14	Switch Target Located on Gate
15	Closed Lever Position

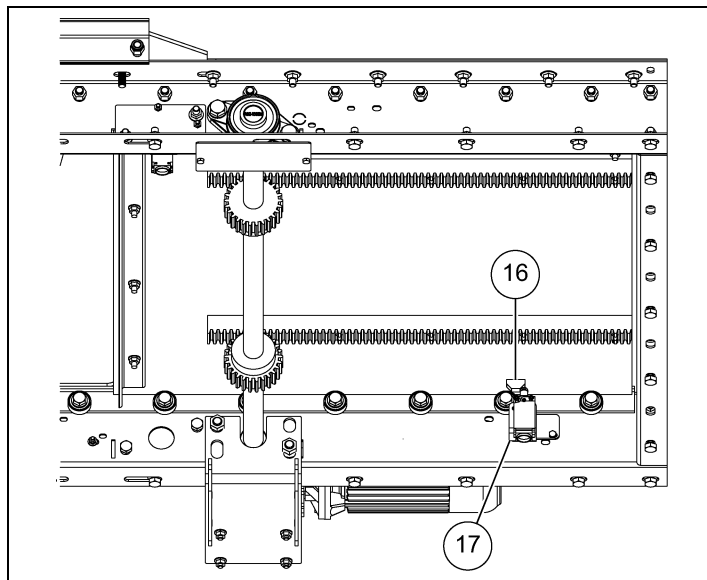


Figure 3I *Open Position*

Ref #	Description
16	Switch Target on Gate
17	Open Lever Position

In-Line Discharge Gate Limit Switch Installation

1. Using limit switches that are available in STD and ATEX or explosion proof standards, achieves accurate positioning of these gates. Limit switches (19) are located on both sides of the frame to detect when the gate is completely open or closed. (See Figure 3J.)
2. Attach the switch brackets (18) to the inside of the gate as shown using hardware provided. (See Figure 3J.) Attach the limit switch (19) to the bracket as shown in Figure 3J.
3. After switches are securely fastened, adjust lever arms so they come in contact with tripper blocks (22) on underneath side of the slide plate.
4. Disconnect the power at the electrical panel and run the proper gauge electrical wire to the motors and limit switches (19). (See Wiring Diagrams on Pages 27 and 28.) **Make sure that the limit switches (19) are adjusted properly before operating the gate.** Turn the power back ON and CAUTIOUSLY operate the gate, opening and closing the gate slide, making the necessary adjustments to the limit switch arms to assure complete opening and closing of the gate.
5. Motor driven gates are available in both TEFC and explosion proof configurations.

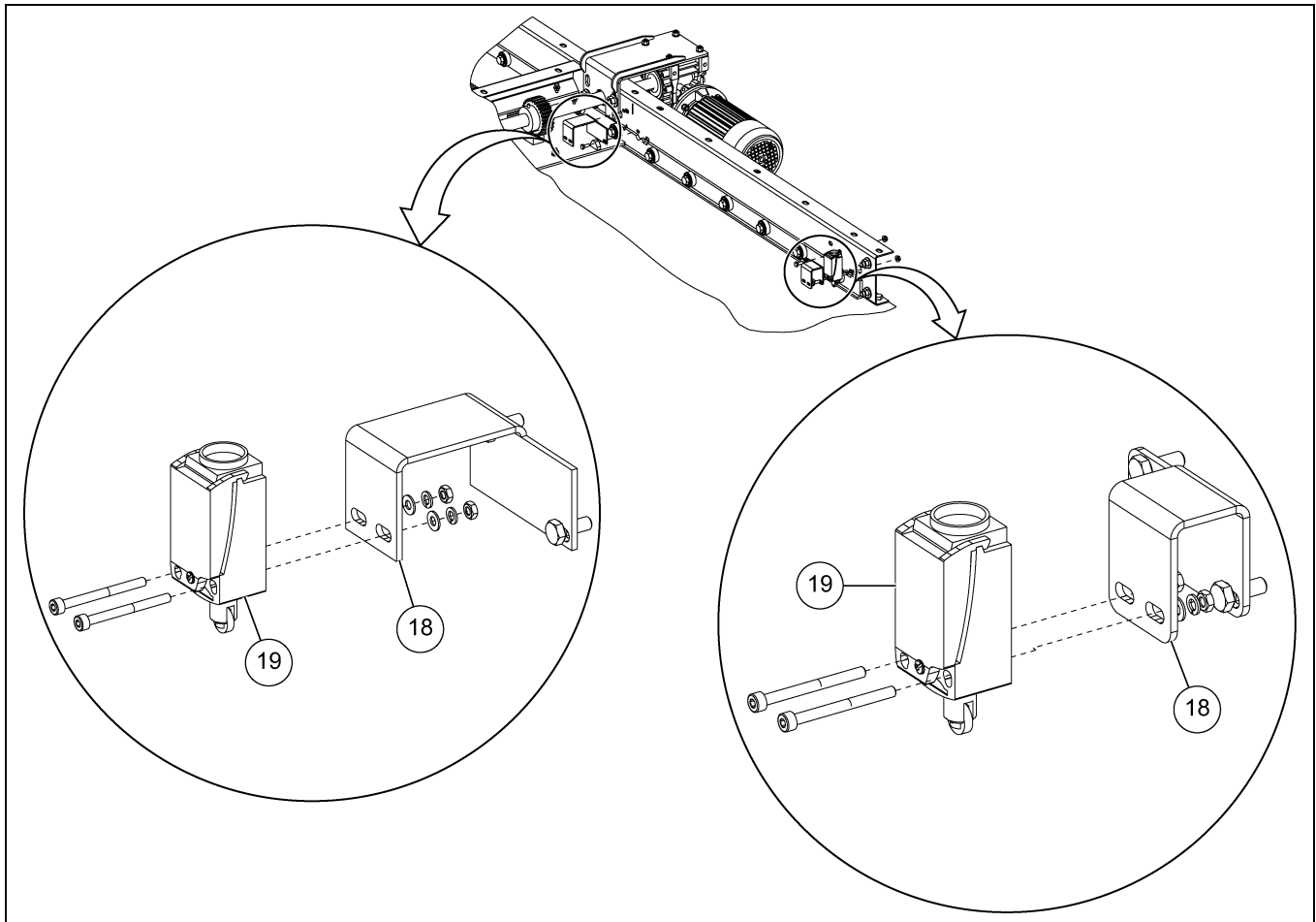


Figure 3J Installing the Limit Switch

Ref #	Description
18	Switch Brackets
19	Limit Switches

3. Installation

In-Line Discharge Gate Limit Switch Installation (Continued)

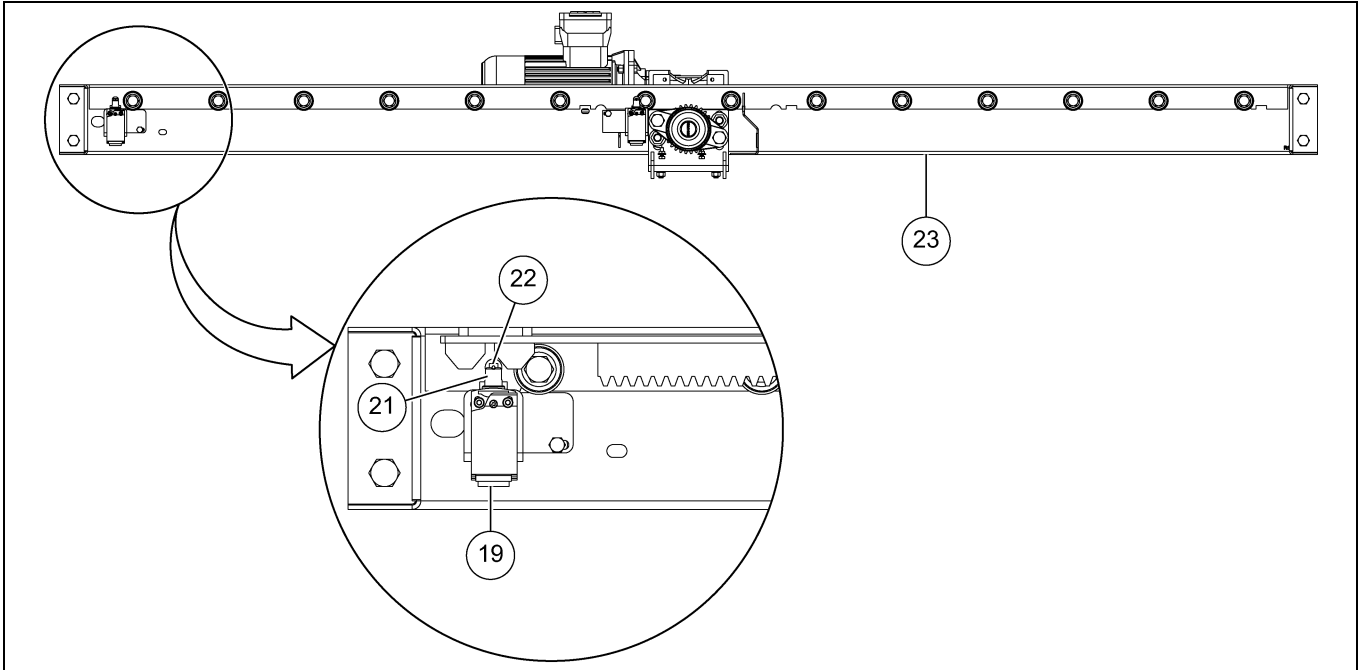


Figure 3K

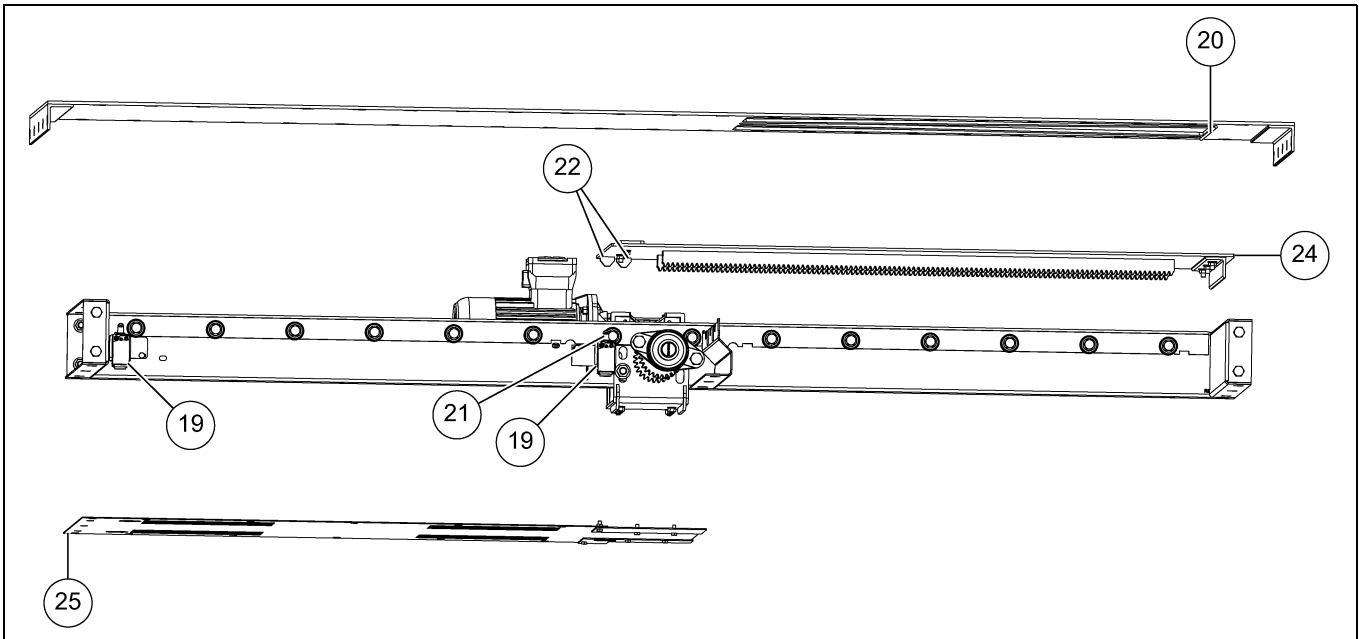


Figure 3L

Ref #	Description
19	Limit Switches
20	Weldment, AR Line
21	Actuator Arm
22	Tripper Block

Ref #	Description
23	Side view shown without side for clarity.
24	Slide Gate
25	Cover

In-Line Discharge Gate Limit Switch Installation (Continued)

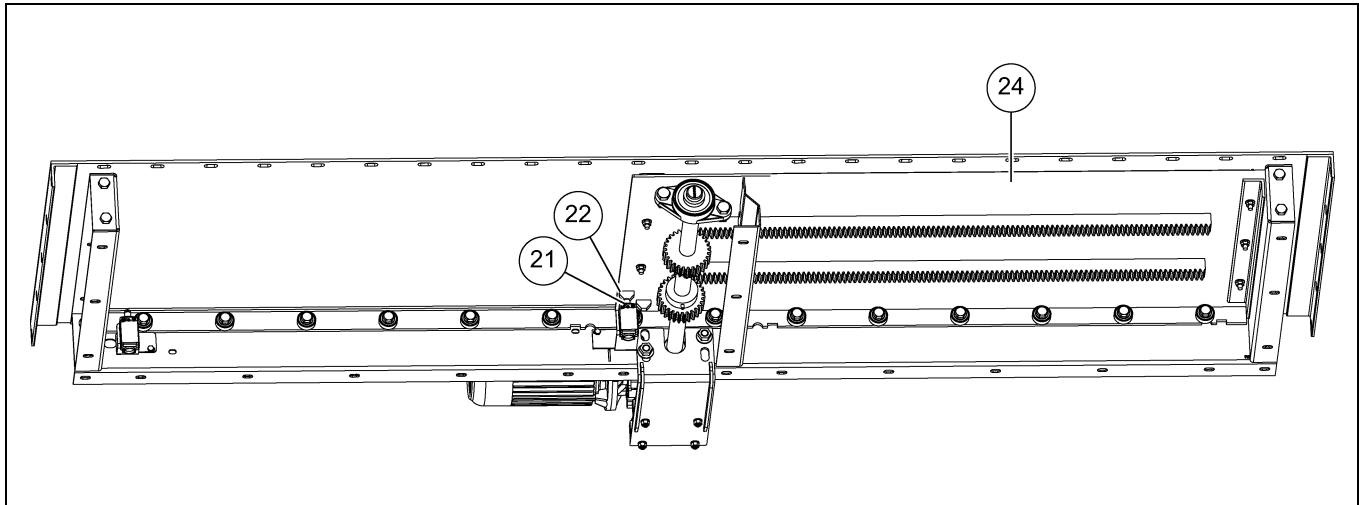


Figure 3M **GATE CLOSED POSITION** shown without side for clarity.

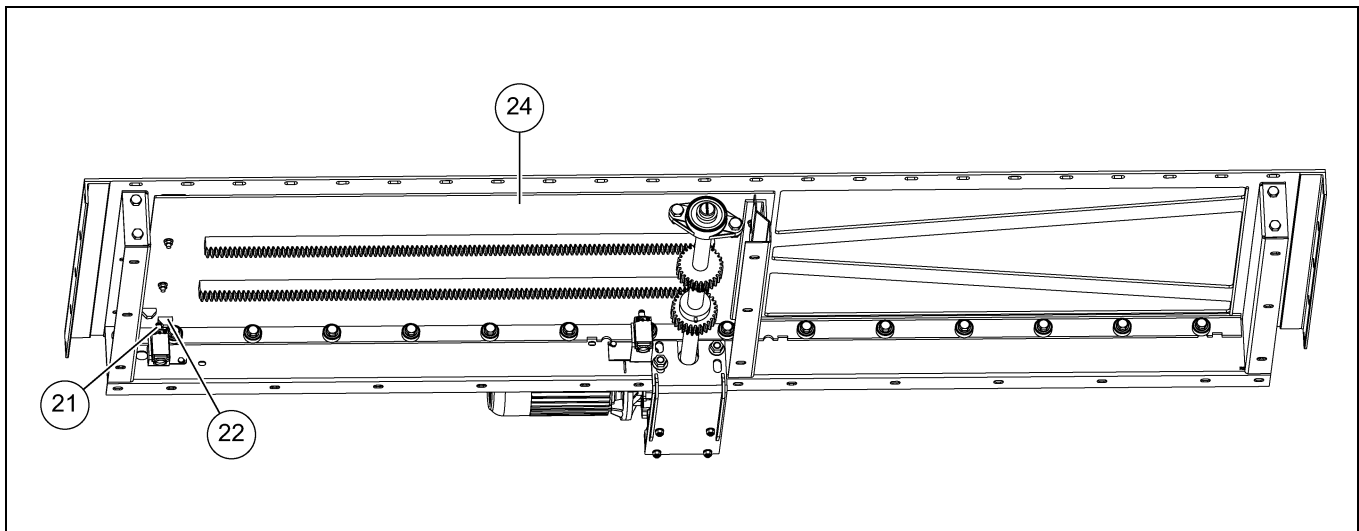


Figure 3N **GATE OPENED POSITION** shown without side for clarity.

Ref #	Description
21	Actuator Arm
22	Tripper Block
24	Slide Gate

3. Installation

Installing the Gate to the Trough Bottom

1. Attach the gate to the connection flanges and trough bottom using supplied hardware.
2. Seal all connections with a silicon based caulk to make weather-resistant.
3. It may be necessary to drill the holes in the trough side flange. (See Figure 30.)
4. There are no carry-over bars to adjust, the carry-over feature is built into the gate.
5. On 305 mm (12") tall and 355.6 mm (14") tall conveyors, there will be some overhang 13 mm (1/2") of the gate frame past the edge of the trough bottom.

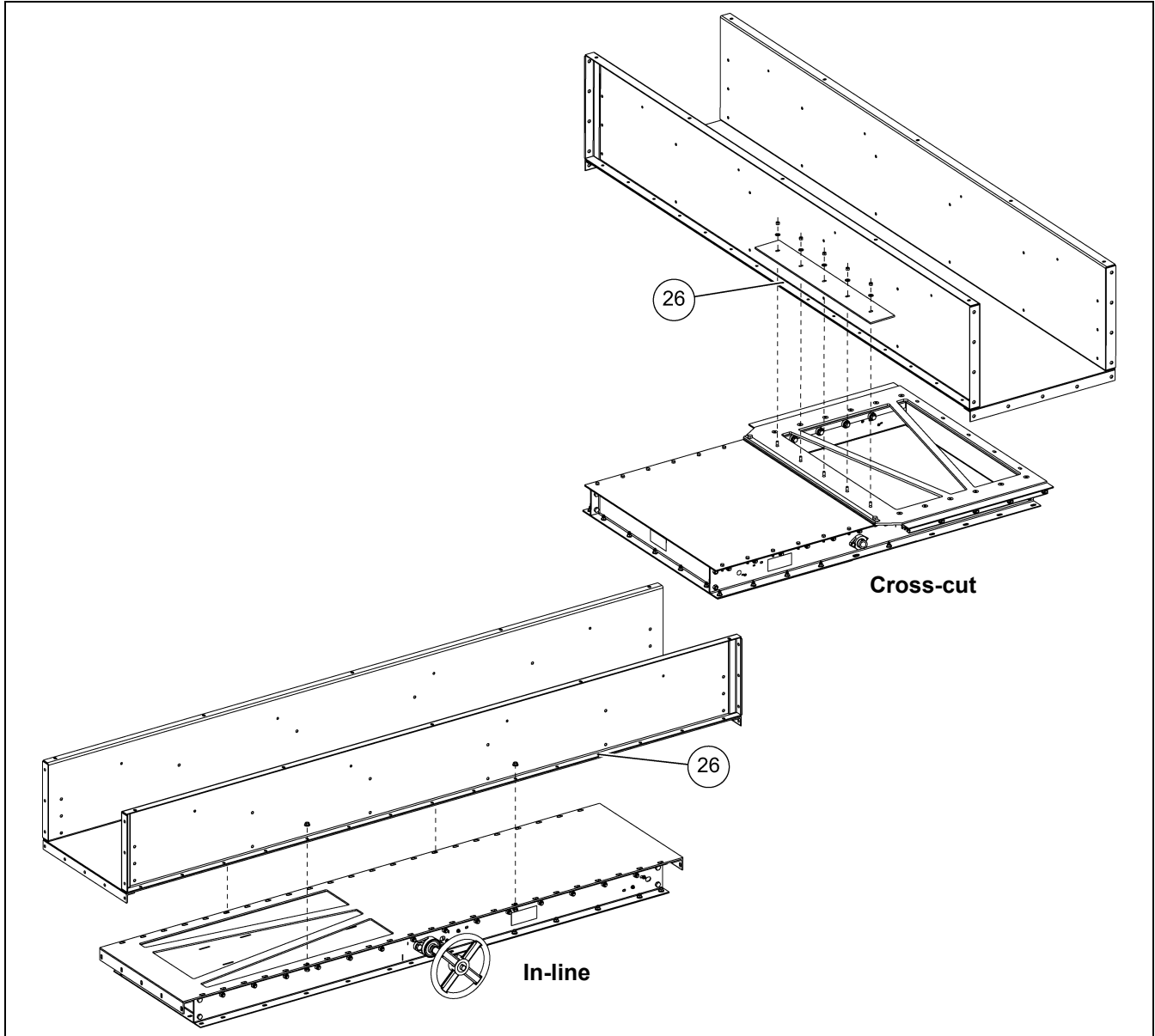


Figure 30

Ref #	Description
26	Field drill holes if necessary.

Flipping the Shaft to Change Gate Drive Side

1. Loosen the set screws (27) for shaft on both bearings. *(See Figure 3P.)*
2. Remove the bearing on the long side of the shaft (5).
3. Flip shaft and re-install the bearing.
4. Tighten the set screws on the shaft.
5. On guard move filler plate to opposite side if applicable.
6. If gate will be electronically operated, install the motor mount on appropriate side for gearbox and motor.

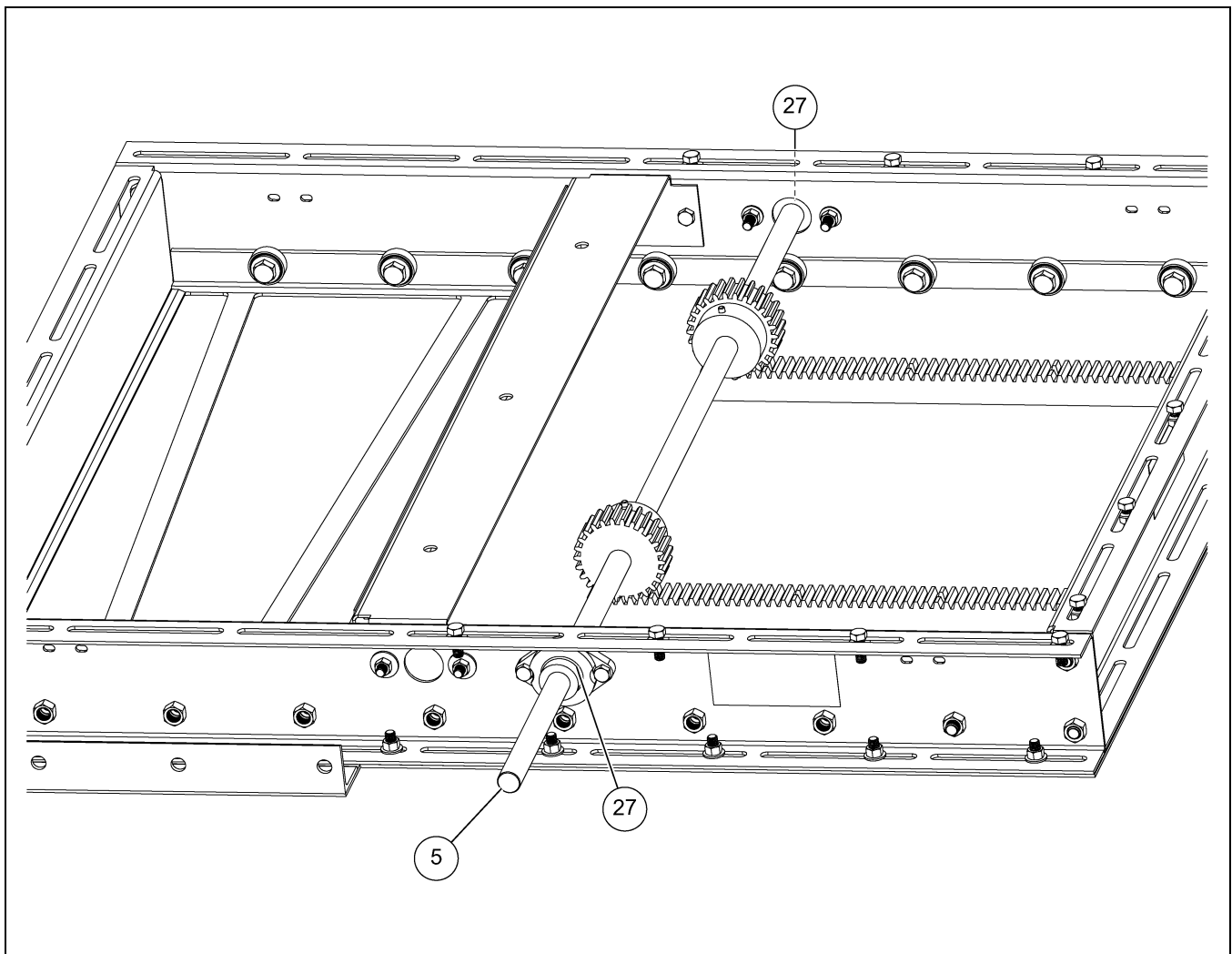


Figure 3P

Ref #	Description
5	Shaft
27	Set Screws

4. ATEX Compliant RSG Slide Gates

Electrical Installation

All electrical components used when installing the slide gate and associated conveyor must be suited to the ATEX hazardous environment. Failure to do so will render the equipment rating invalid. This shall include:

- Cable glands
- Terminal boxes/electrical enclosures
- Conduit
- Switches

Maintenance

Routine Inspection

Slide gates operating in hazardous environments must be inspected on a regular basis for signs of wear which could give rise to ignition sources. Equipment shall be installed with suitable, safe access ladders/stairs/platforms and catwalks to allow ease of access for inspection.

At least every 150 hours of operation:

1. Visually inspect the bearings for signs of over-heating, loss of grease and wear.
2. Check the cooling fans on motor and gear reducer are clean.
3. Check the cooling fan and air inlets on motor and gear reducer - if fitted - are clear.
4. Check the gate drive sprocket for signs or teeth wear.
5. Check for damage/loose connections of electrical cables into motors/switches.
6. Check the limit switches for correct operation, freedom of movement and cleanliness.

All worn or damaged items must be replaced.

Repairs/Replacements

All repairs must be carried out in accordance with the product manual.

Replacement parts shall be matched like for like and be genuine GSI replacements. Failure to do so will render the conveyor rating invalid. The following ratings must be observed:

- | | |
|-----------------------|-------------------------------------|
| 1. Gate Motor | Ex tb IIIC T125°C Db |
| 2. Gate Gear Reducer | II 2GD c k T4 |
| 3. Open Limit Switch | Ex tD A21 IP67 T85°C |
| 4. Close Limit Switch | Ex tD A21 IP67 T85°C |
| 5. UHMW Lining | Tivar 1000 Antistatic/Tivar 1000 EC |

Wiring for Motor Control Circuit

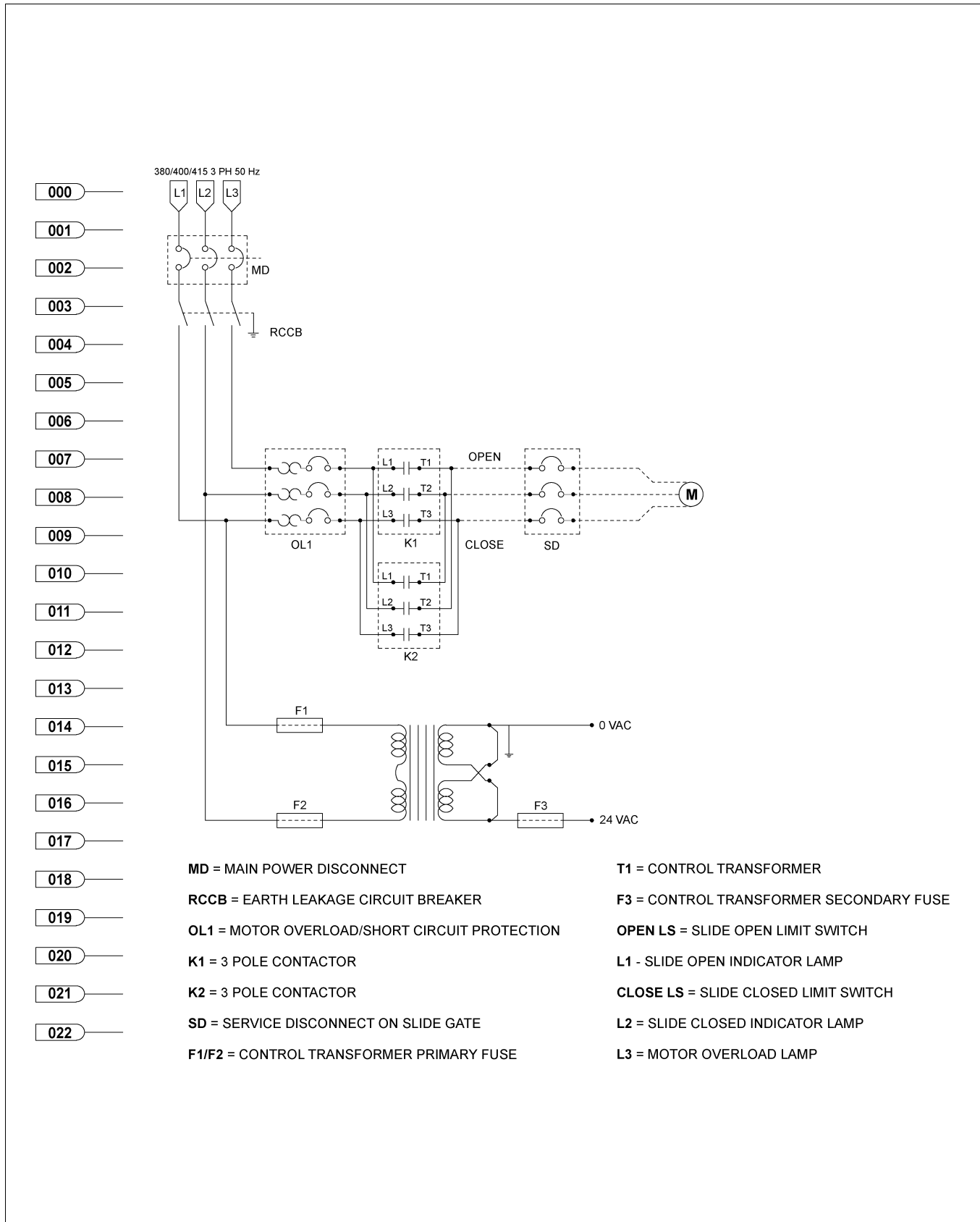


Figure 4A Example Motor Control Circuit

4. ATEX Compliant RSG Slide Gates

Wiring for Safety Control Circuit

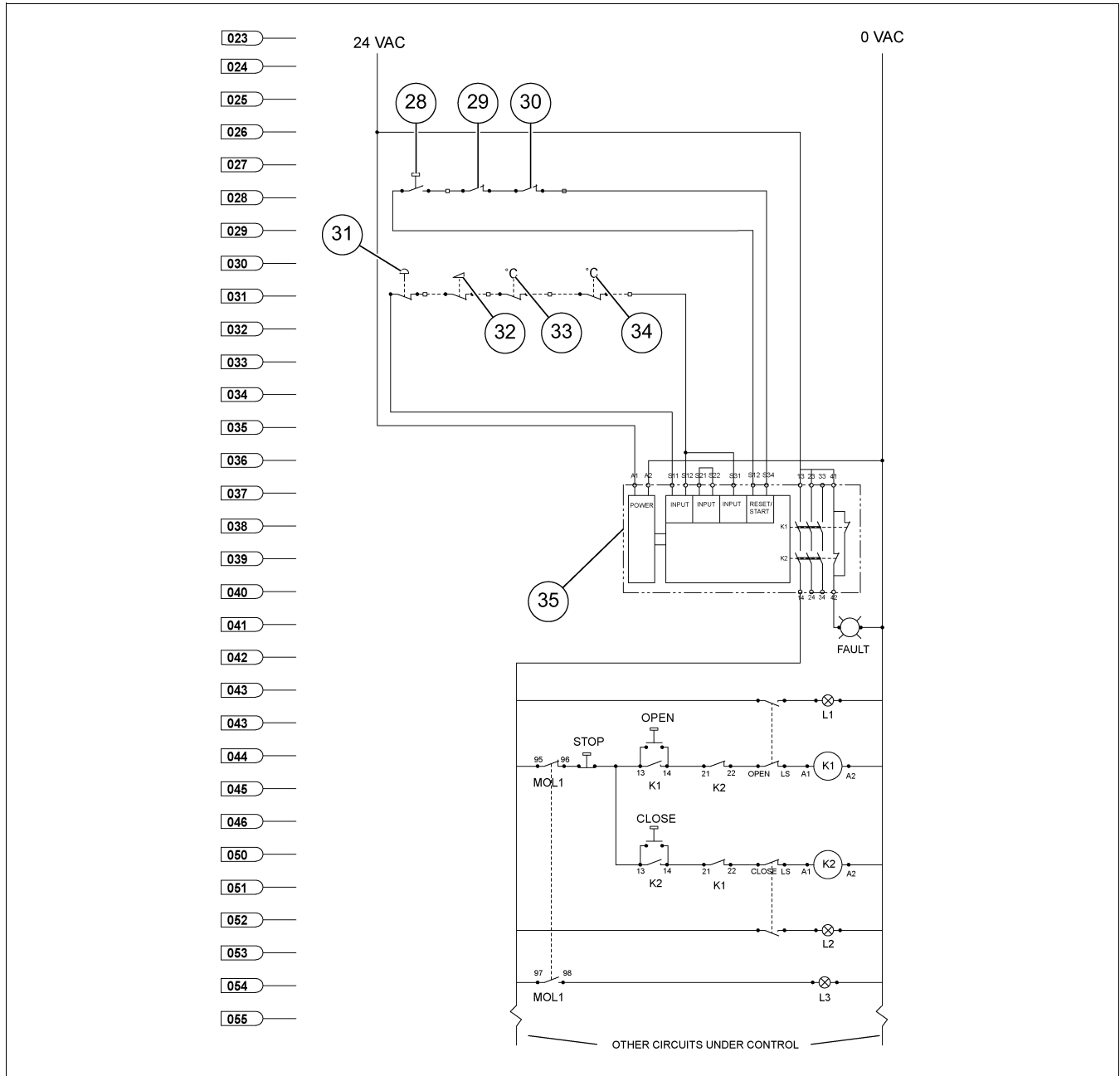


Figure 4B Example Safety Control Circuit

Ref #	Description
28	Safety Circuit Re-Set
29	Motor Contactor N.C.
30	Motor Contactor N.C. (Additional)
31	Emergency Stop

Ref #	Description
32	Safety Switch (If Required)
33	Motor Thermal Cut Out
34	Motor Thermal Cut Out (Additional)
35	Safety Relay Module (PL'c' 3)

Limited Warranty - EME Grain Products

The GSI Group, LLC. ("GSI") warrants products which it manufactures, to be free of defects in materials and workmanship under normal usage and conditions for a period of 12 months from the date of shipment (or, if shipped by vessel, 14 months from the date of arrival at the port of discharge). If, in GSI's sole judgment, a product is found to have a defect in materials and/or workmanship, GSI will, at its own option and expense, repair or replace the product or refund the purchase price. This Limited Warranty is subject to extension and other terms as set forth below.

Warranty Enhancements:

The warranty period for the following products is enhanced as shown below and is in lieu of (and not in addition to) the above stated warranty period. (Warranty Period is from date of shipment.)

	Product	Warranty Period
Storage	Grain Bin Structural Design	5 Years
	• Sidewall, roof, doors, platforms and walkarounds	
	• Flooring (when installed using GSI specified floor support system for that floor)	
Conditioning	• Hopper tanks (BFT, GHT, NCHT, and FCHT)	5 Years
	Dryer Structural Design - (Tower, Portable and TopDry)	
	• Includes (frame, portable dryer screens, ladders, access doors and platforms)	
	All other Dryer parts including:	
	• Electrical (controls, sensors, switches and internal wiring)	
Material Handling	All Non-PTO Driven Centrifugal and Axial Fans	3 Years
	Bullseye Controllers	2 Years
	Bucket Elevators Structural Design	5 Years
	Towers Structural Design	5 Years
	Catwalks Structural Design	5 Years
	Accessories (stairs, ladders and platforms) Structural Design	5 Years

Conditions and Limitations:

THERE ARE NO WARRANTIES THAT EXTEND BEYOND THE LIMITED WARRANTY DESCRIPTION SET FORTH HEREIN; SPECIFICALLY, GSI DISCLAIMS ANY AND ALL OTHER WARRANTIES OF ANY KIND, EXPRESS OR IMPLIED, INCLUDING, WITHOUT LIMITATION, WARRANTIES OF MERCHANTABILITY OR FITNESS FOR A PARTICULAR PURPOSE OR USE IN CONNECTION WITH: (I) ANY PRODUCT MANUFACTURED OR SOLD BY GSI, OR (II) ANY ADVICE, INSTRUCTION, RECOMMENDATION OR SUGGESTION PROVIDED BY AN AGENT, REPRESENTATIVE OR EMPLOYEE OF GSI REGARDING OR RELATED TO THE CONFIGURATION, INSTALLATION, LAYOUT, SUITABILITY FOR A PARTICULAR PURPOSE, OR DESIGN OF SUCH PRODUCTS.

The sole and exclusive remedy for any claimant is set forth in this Limited Warranty and shall not exceed the amount paid for the product purchased. This Warranty only covers the value of the warranted parts and equipment, and does not cover labor charges for removing or installing defective parts, shipping charges with respect to such parts, any applicable sales or other taxes, or any other charges or expenses not specified in this Warranty. GSI shall not be liable for any other direct, indirect, incidental or consequential damages, including, without limitation, loss of anticipated profits or benefits. Expenses incurred by or on behalf of a claimant without prior written authorization from the GSI warranty department shall not be reimbursed. This warranty is not transferable and applies only to the original end-user. GSI shall have no obligation or responsibility for any representations or warranties made by or on behalf of any dealer, agent or distributor. Prior to installation, the end-user bears all responsibility to comply with federal, state and local codes which apply to the location and installation of the products.

This Limited Warranty extends solely to products sold by GSI and does not cover any parts, components or materials used in conjunction with the product, that are not sold by GSI. GSI assumes no responsibility for claims resulting from construction defects, unauthorized modifications, corrosion or other cosmetic issues caused by storage, application or environmental conditions. Modifications to products not specifically delineated in the manual accompanying the product at initial sale will void all warranties. This Limited Warranty shall not extend to products or parts which have been damaged by negligent use, misuse, alteration, accident or which have been improperly/inadequately maintained.

Notice Procedure:

In order to make a valid warranty claim a written notice of the claim must be submitted, using the RMA form, within 60 days of discovery of a warrantable nonconformance. The RMA form is found on the OneGSI portal.

Service Parts:

GSI warrants, subject to all other conditions described in this Warranty, Service Parts which it manufactures for a period of 12 months from the date of purchase unless specified in Enhancements above.

(Limited Warranty - EME Grain Products_ revised 01 October 2020)

This equipment shall be installed in accordance with the current installation codes and applicable regulations, which should be carefully followed in all cases. Authorities having jurisdiction should be consulted before installations are made.



1004 E. Illinois St.
Assumption, IL 62510-0020
Phone: 1-217-226-4421
Fax: 1-217-226-4420
www.gsiag.com

