

60' Recessed Dura-Lok Plank and Support Manual

Owner's Manual

PNEG-2061

Version: 3.0

Date: 10-27-20



PNEG-2061

All information, illustrations, photos, and specifications in this manual are based on the latest information available at the time of publication. The right is reserved to make changes at any time without notice.

Contents

Chapter 1 Introduction	4
Chapter 2 Safety	5
Safety Guidelines	5
Cautionary Symbols Definitions	6
Safety Cautions	7
Safety Sign-Off Sheet	9
Chapter 3 Decals	10
Chapter 4 Monorail Installation	12
Fan Placement Diagram	12
Tie Bar Detail	13
Tie Strap Detail	14
Assembling Legs to Rail	15
Monorail Splice Detail	17
Outer Perimeter Rail Details	19
Chapter 5 Flooring - Planks	21
Floor Splice Details	21
Flashing Installation	22
Center Well Assembly Details	24
Intermediate Well Assembly Details	25
Chapter 6 Layouts	26
60'-18" Rail Spacing Layout for Recessed Full Floor	26
60'-18" Monorail Spacing Layout for Recessed Full Floor	27
60'-20" Monorail Spacing Layout for Recessed Full Floor	28
60'-20" Rail Spacing Layout for Recessed Full Floor	29
60' Bundle Layout for Recessed Full Floor	30
60' Plank Layout for Recessed Full Floor	32
Chapter 7 Warranty	35

1. Introduction

READ THIS MANUAL carefully to learn how to properly use and install equipment. Failure to do so could result in personal injury or equipment damage.

INSPECT the shipment immediately upon arrival. The customer is responsible for ensuring that all quantities are correct. The customer should report and note any damage or shortage on the bill of lading to justify their claim to the transport company.

THIS MANUAL SHOULD BE CONSIDERED a permanent part of your equipment and should be easily accessible when needed.

This warranty provides you the assurance that the company will back its products when defects appear within the warranty period. In some circumstances, the company also provides field improvements, often without charge to the customer, even if the product is out of warranty. Should the equipment be abused, or modified to change its performance beyond the factory specifications, the warranty will become void and field improvements may be denied.

Safety Guidelines

Safety guidelines are general-to-specific safety rules that must be followed at all times. This manual is written to help you understand safe operating procedures and problems that can be encountered by the operator and other personnel when using this equipment. Read and save these instructions.

As owner or operator, you are responsible for understanding the requirements, hazards, and precautions that exist and to inform others as required. Unqualified persons must stay out of the work area at all times.

Alterations must not be made to the equipment. Alterations can produce dangerous situations resulting in **SERIOUS INJURY** or **DEATH**.

This equipment must be installed in accordance with the current installation codes and applicable regulations, which must be carefully followed in all cases. Authorities having jurisdiction must be consulted before installations are made.

When necessary, you must consider the installation location relative to electrical, fuel and water utilities.

Personnel operating or working around equipment must read this manual. This manual must be delivered with equipment to its owner. Failure to read this manual and its safety instructions is a misuse of the equipment.

ST-0001-4

Cautionary Symbols Definitions

Cautionary symbols appear in this manual and on product decals. The symbols alert the user of potential safety hazards, prohibited activities and mandatory actions. To help you recognize this information, we use the symbols that are defined below.



This symbol indicates an imminently hazardous situation which, if not avoided, **will result in serious injury or death.**



This symbol indicates a potentially hazardous situation which, if not avoided, **can result in serious injury or death.**



This symbol indicates a potentially hazardous situation which, if not avoided, **can result in minor or moderate injury.**



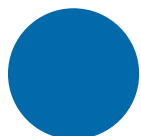
This symbol is used to address practices not related to personal injury.



This symbol indicates a general hazard.



This symbol indicates a prohibited activity.



This symbol indicates a mandatory action.

ST-0005-2

Safety Cautions

Use Personal Protective Equipment

- Use appropriate personal protective equipment:

Eye Protection



Respiratory Protection



Foot Protection



Hearing Protection



Head Protection



Fall Protection



Hand Protection



- Wear clothing appropriate to the job.
- Remove all jewelry.
- Tie long hair up and back.

ST-0004-1

Follow Safety Instructions

- Carefully read all safety messages in this manual and safety signs on your machine. Keep signs in good condition. Replace missing or damaged safety signs. Be sure new equipment components and repair parts include the current safety signs. Replacement safety signs are available from the manufacturer.
- Learn how to operate the machine and how to use controls properly. Do not let anyone operate without instruction.
- If you do not understand any part of this manual or need assistance, contact your dealer.



ST-0002-1

2. Safety

Maintain Equipment and Work Area

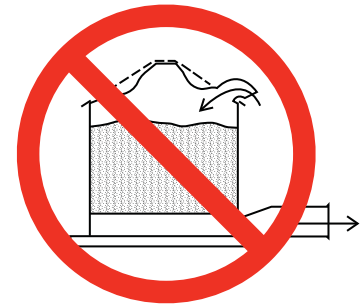
- Understand service procedures before doing work. Keep area clean and dry.
- Never service equipment while it is operating. Keep hands, feet, and clothing away from moving parts.
- Keep your equipment in proper working condition. Replace worn or broken parts immediately.



ST-0003-1

Prevent Roof Damage Due to Vacuum Pressure

- Roof damage can result from excessive vacuum or internal pressure from fans or other air moving systems. The manufacturer does not warrant this type of roof damage.
- Adequate ventilation or “makeup air” devices must be provided for all powered air handling systems.
- The manufacturer does not recommend the use of downward flow systems (suction).
- Severe roof damage can result from any blockage of air passages.
- Operating fans during high humidity or cold weather conditions can cause air exhaust or intake ports to freeze.



ST-0028-2

Sharp Edge Hazard

- This product has sharp edges, which can cause serious injury.
- To avoid injury, handle sharp edges with caution and always use proper protective clothing and equipment.



ST-0036-2


3. Decals



The safety decals on your equipment are safety indicators which must be carefully read and understood by all personnel involved in the installation, operation, service and maintenance of the equipment.

To replace a damaged or missing decal, contact us to receive a free replacement.

GSI Decals

1004 E. Illinois St.
 Assumption, IL. 62510
 Phone: 1-217-226-4421

Location	Decal #	Decals	Description
<p>Located next to aeration system.</p>	<p>DC-969</p>		<p>Caution Vacuum Pressure</p>

Location	Decal #	Decals	Description
On bin door covers	DC-GBC-1A		Warning Keep Clear of Augers
On bin door covers	DC-GBC-2A		Warning Unload Instructions

4. Monorail Installation

Fan Placement Diagram

For uniform air flow, place the fans in relation to the unloading tube as shown in [Figure 4A](#). Floor planks should be perpendicular to the unloading tube.

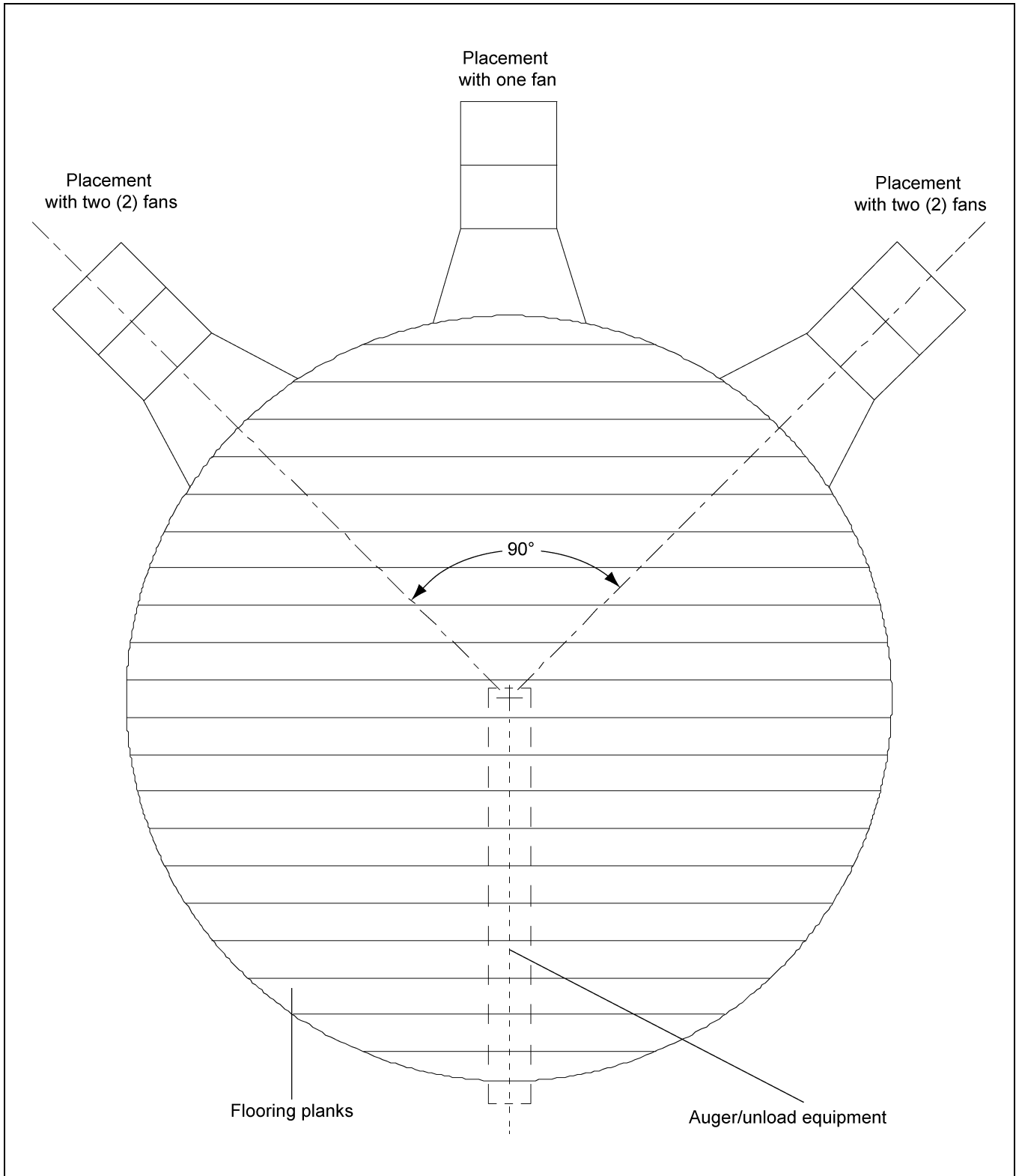


Figure 4A

Tie Bar Detail

1. Locate the tie bars between the rails. (Spaced evenly throughout the system.)

NOTE: Tie bars are to be placed at the end of monorail, at each splice and in the middle of the rail if it is over 16' long. (Not necessarily evenly spaced.) Rail spacing details on [Pages 26-29](#), detail tie bar placements in each layout.

2. A single #10 x 5/8" self-drilling screws may be used to fasten the tie bars at each end to the rails as necessary. (See [Figure 4B](#).)

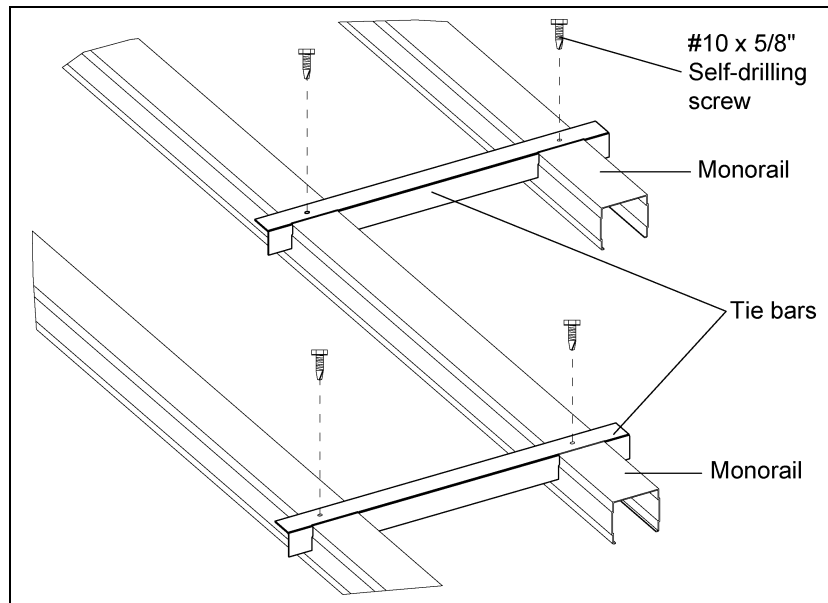


Figure 4B Tie Bar Detail

3. Tie bars should overlap and connect each rail to the next rail. Tie bars should be located along each side of a rail splice and around the perimeter of the bin, no more than 6" from the end of the rail. (See [Figure 4C](#).)

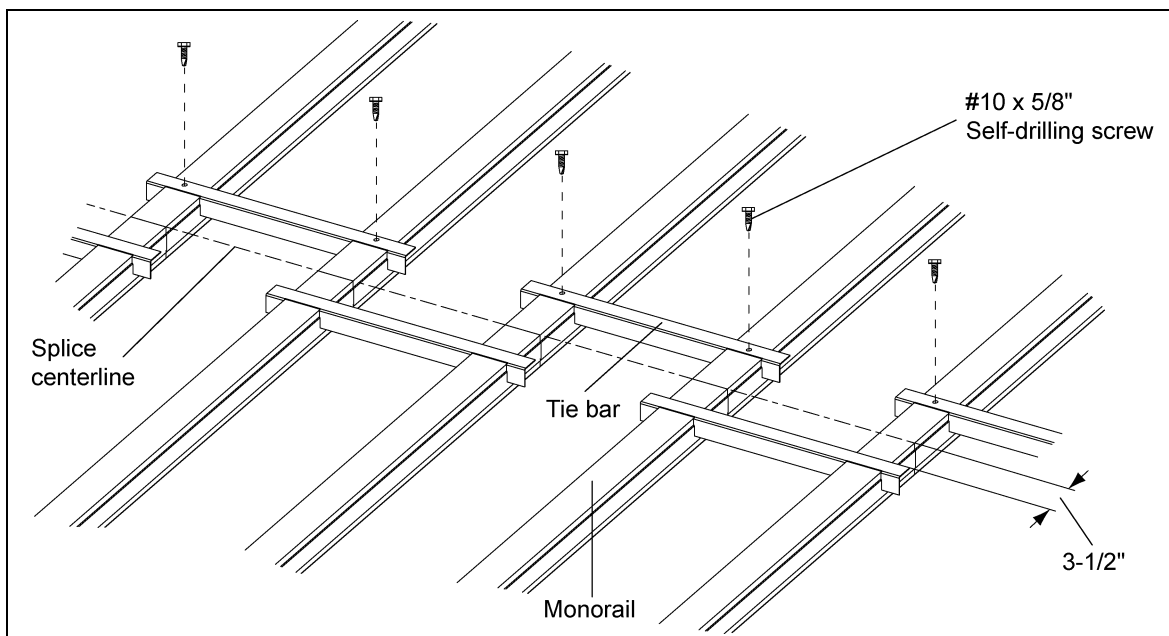


Figure 4C Tie Bar Dimension Detail

4. Monorail Installation

Tie Strap Detail

1. Tie straps should be used when a tie bar cannot be used to connect rails together due to special spacing of monorail. Tie strap should be connected to all three (3) rails using self-drilling screws. (See Figure 4D.)
2. Tie straps are to be located in the same places as a tie bar would be used.

NOTE: Some tie straps will be used to support center well and intermediate well assembly. (See Figure 5F on Page 24 and Figure 5G on Page 25.)

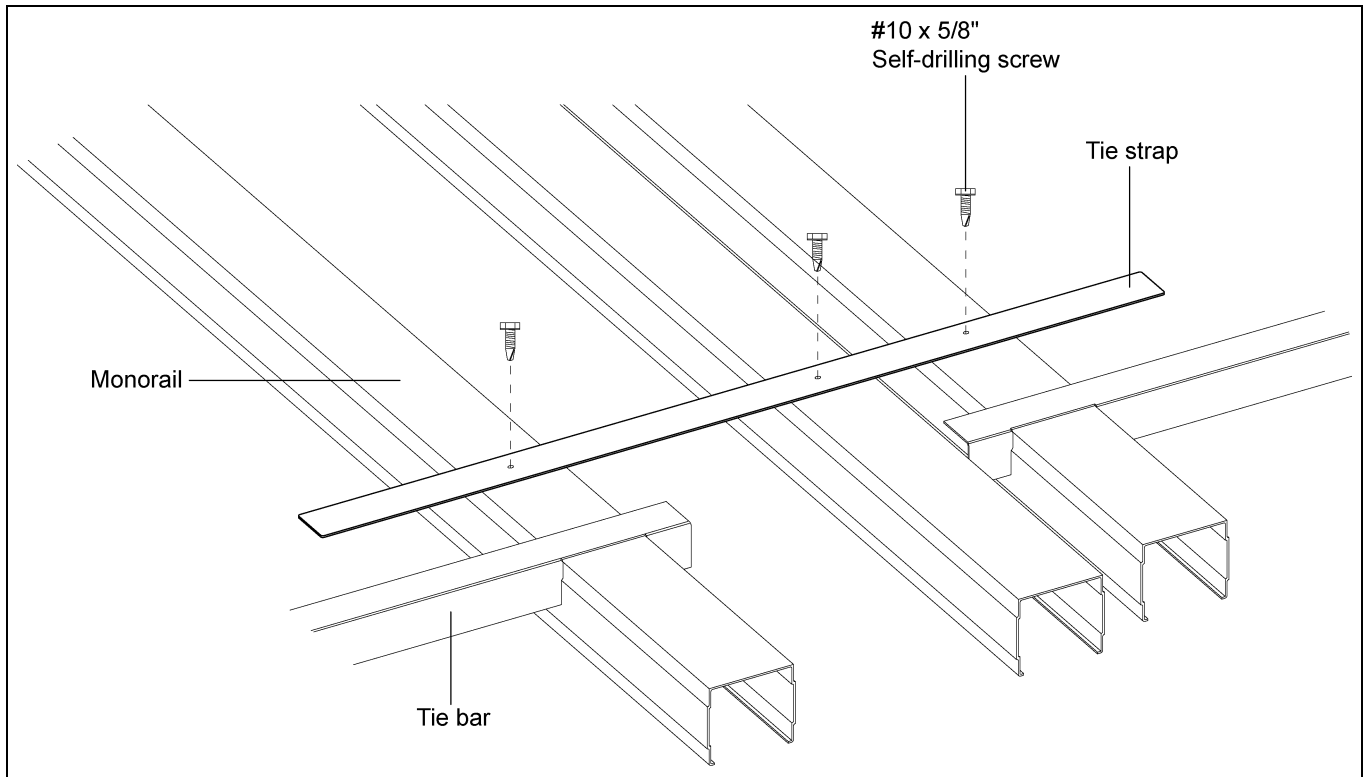


Figure 4D Strap Detail

Assembling Legs to Rail

1. Place two (2) corners of the monorail leg into the rails as shown.
2. By twisting the leg it will spread the rail enough to get the other corners inside.
3. The leg can then be pushed down into the rail until the tabs lock it into place. (See Figure 4E.)

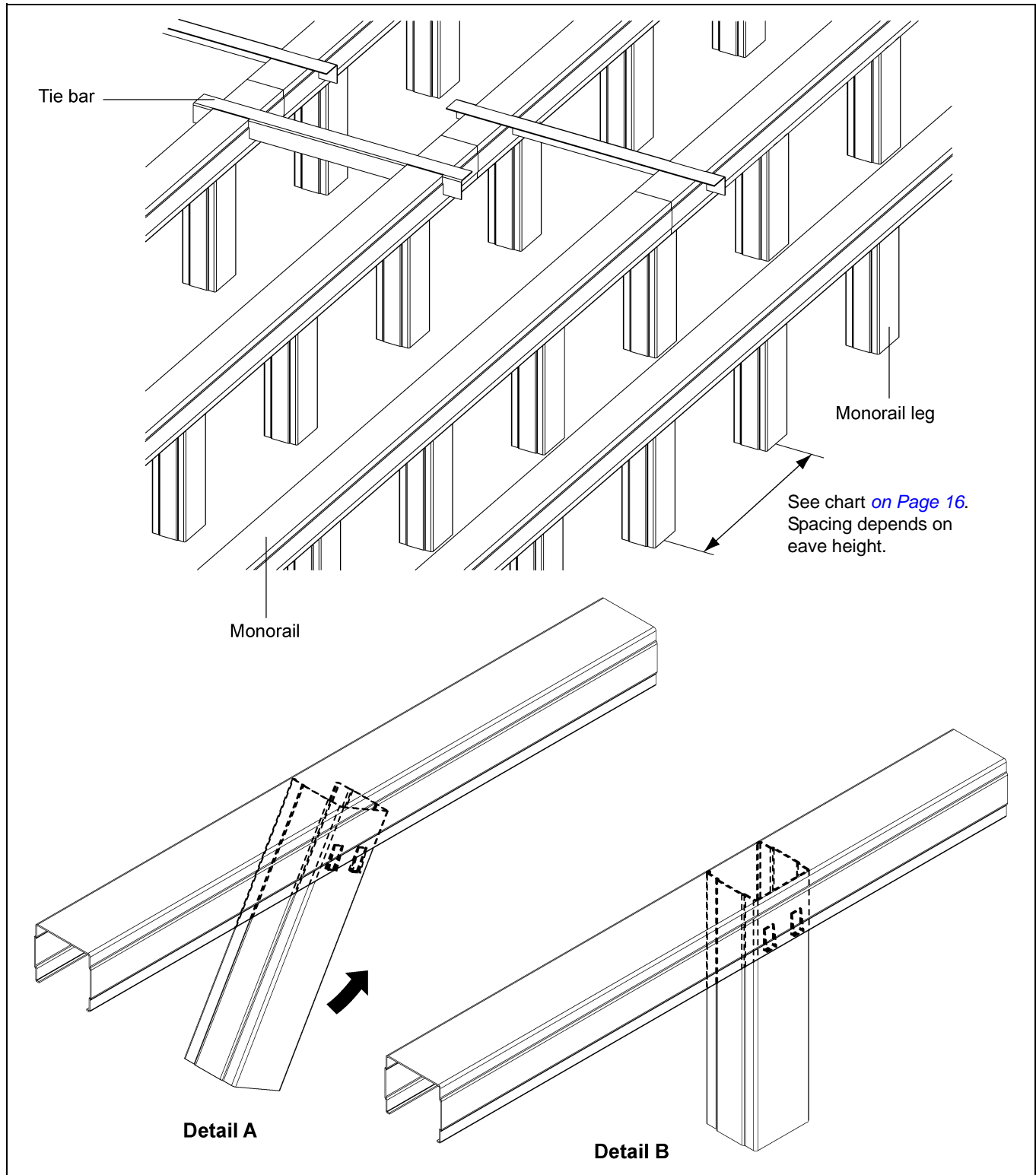


Figure 4E Assembly Leg Rail

4. Monorail Installation

Monorail “Rail and Leg Spacing”/“Full Floor Leg Quantity” for Recessed 60' Bin Diameter

4.00" Ring	2.66" Ring	Eave Height (ft.)	Rail Spacing	Reference Page	Leg Spacing	Leg Qty
10	14	38	20	See Page 29	18	1393
11	16	43	20	See Page 29	17	1471
13	18	48	18	See Page 26	17	1601
14	20	54	18	See Page 26	17	1601
15	22	59	18	See Page 26	16	1697

Monorail Splice Detail

1. Insert the monorail leg (2) vertically at the joint between the ends of the monorails (1), centering the leg (2) on the splice as shown in [Figure 4F](#).

NOTE: Lock the monorail leg (2) securely into the monorails (1) using the locking tabs (5).

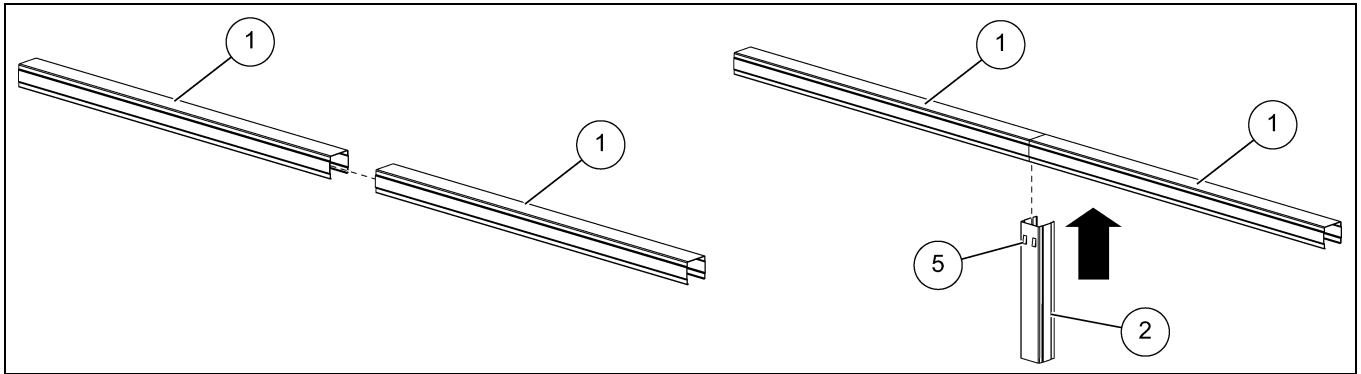


Figure 4F Installing the Monorail Leg

Ref #	Part #	Description
1	FL-403-1	Rails for Monorail Per Foot
2*	FL-403-X	Monorail Leg

Ref #	Description
5	Leg Locking Tabs

2. Use the four self-tapping screws (3) to secure the monorails (1) to the monorail leg (2) as shown in [Figure 4G](#). (**NOTE:** See the orientation of the monorail leg (2) in [Figure 4G](#).)

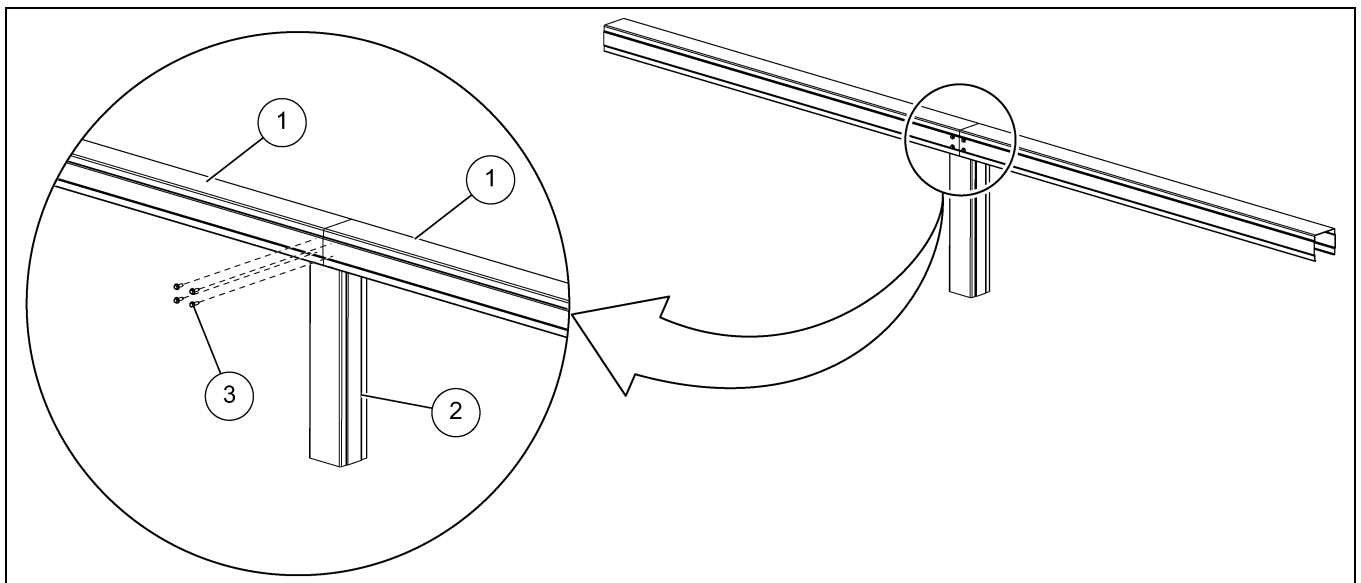


Figure 4G Installing the Screws in the Monorail

Ref #	Part #	Description
1	FL-403-1	Rails for Monorail Per Foot
2*	FL-403-X	Monorail Leg
3	S-280	Screw, SDS #10-16 x 5/8" HWH ZN

* **NOTE:** "X" denotes the monorail leg part number extension.

4. Monorail Installation

Monorail Splice Detail (Continued)

3. Use the four self-tapping screws (3) and the monorail splice plate (4) on the other side of the monorail joint as shown in *Figure 4H*. (**NOTE:** See the orientation of the monorail leg (2) in *Figure 4H*.)

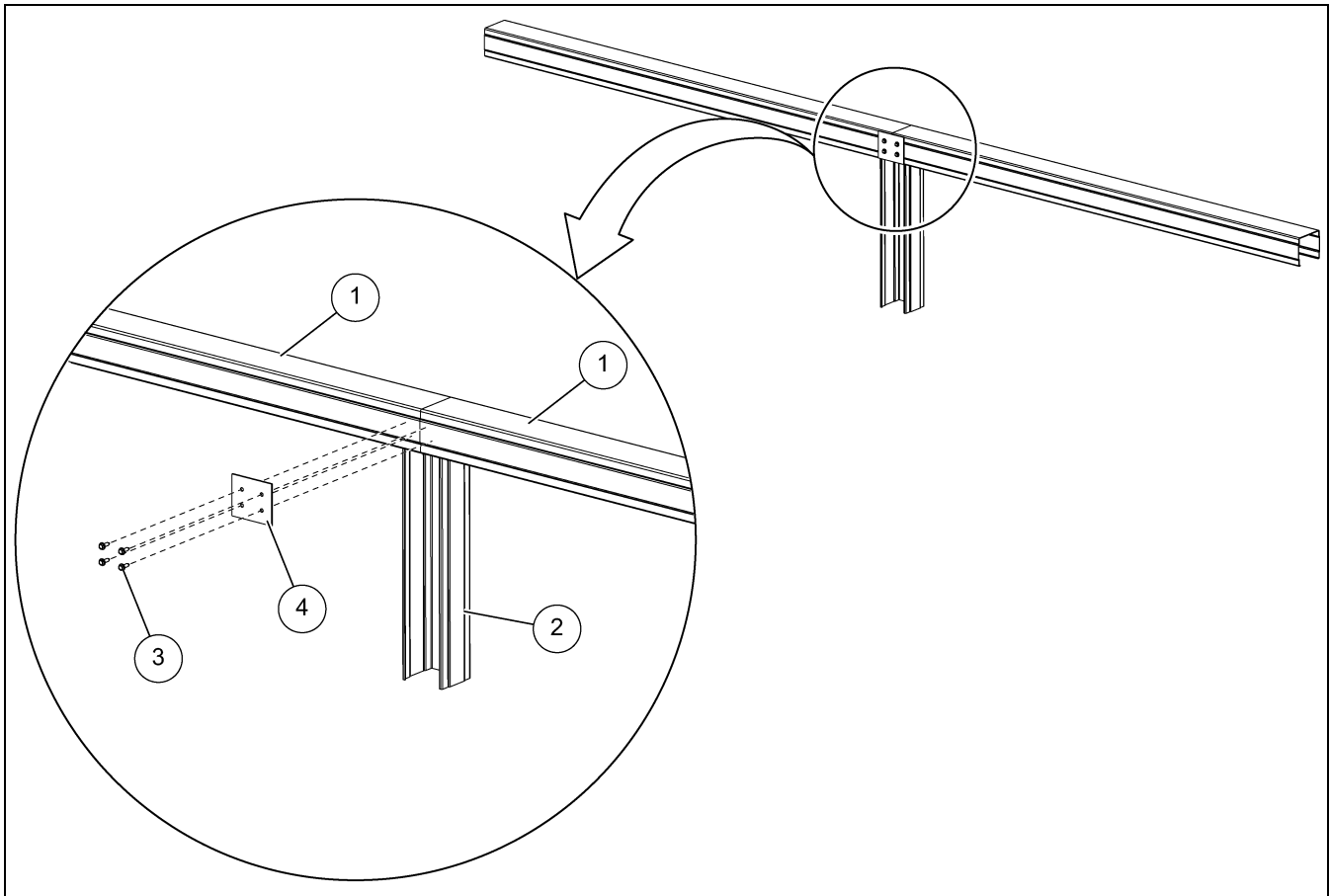


Figure 4H *Installing the Monorail Splice Plate*

Ref #	Part #	Description
1	FL-403-1	Rails for Monorail Per Foot
2*	FL-403-X	Monorail Leg
3	S-280	Screw, SDS #10-16 x 5/8" HWH ZN
4	FL-7415	Monorail Splice Plate

* **NOTE:** "X" denotes the monorail leg part number extension.

Outer Perimeter Rail Details

3' Sections of monorail should be placed around the perimeter of the bin. Monorail legs for perimeter rails should be spaced 16" apart on center. (See Figure 4I.)

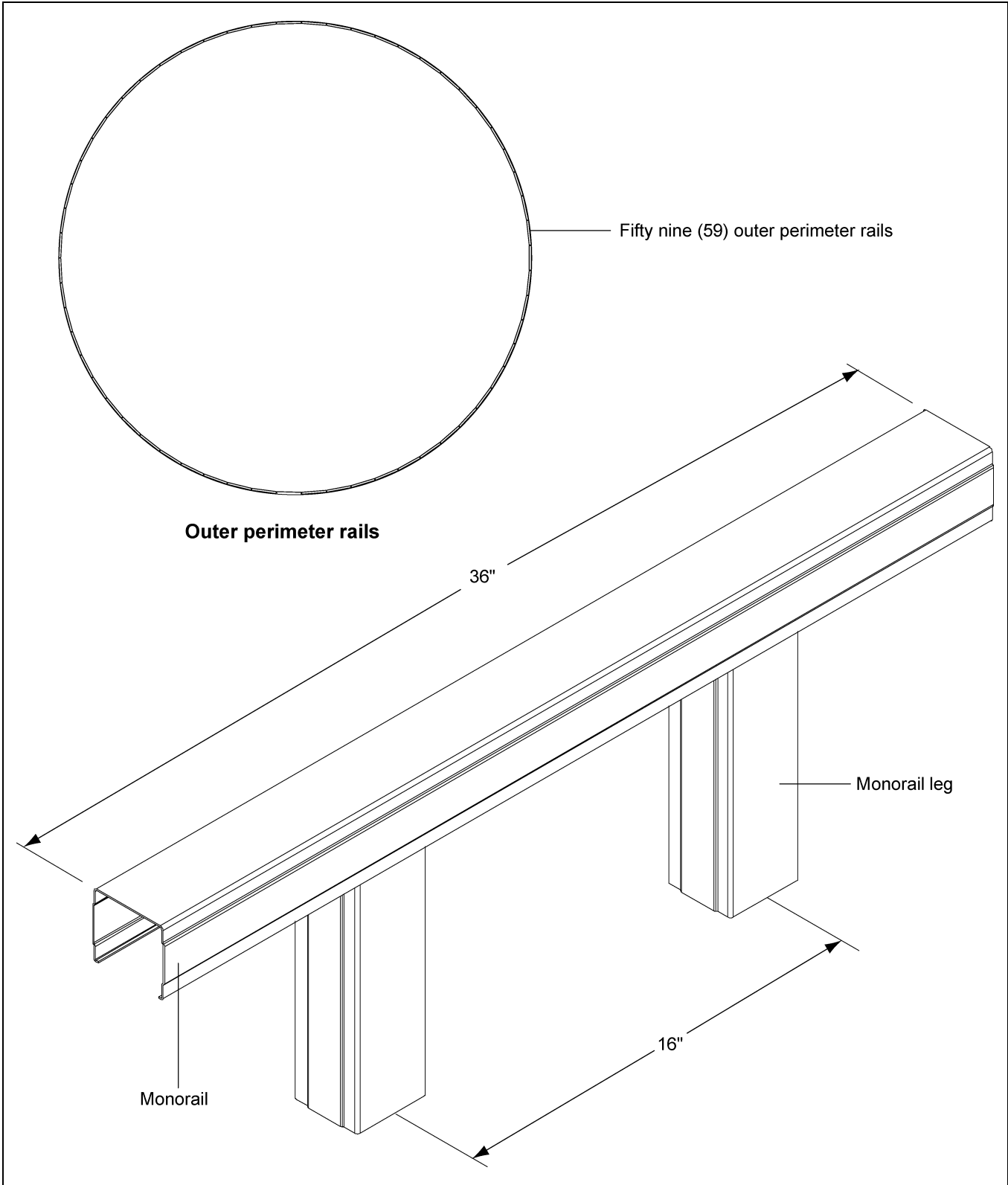


Figure 4I

NOTES

Floor Splice Details

Some of the floor planks will need to be spliced together. (See [Figure 5F on Page 24](#) and plank layout on [Page 32](#) and plank length chart on [Page 33](#).) Install plank length A first, then install the corresponding plank length B. Continue until floor is complete. Center and install two (2) splices (PCL-7009) at each plank splice location using self-drilling screws. Use eight (8) screws at the end of the splice for each plank, four (4) on each side. (See [Figure 5A below](#) and [Figure 5B on Page 22](#).)

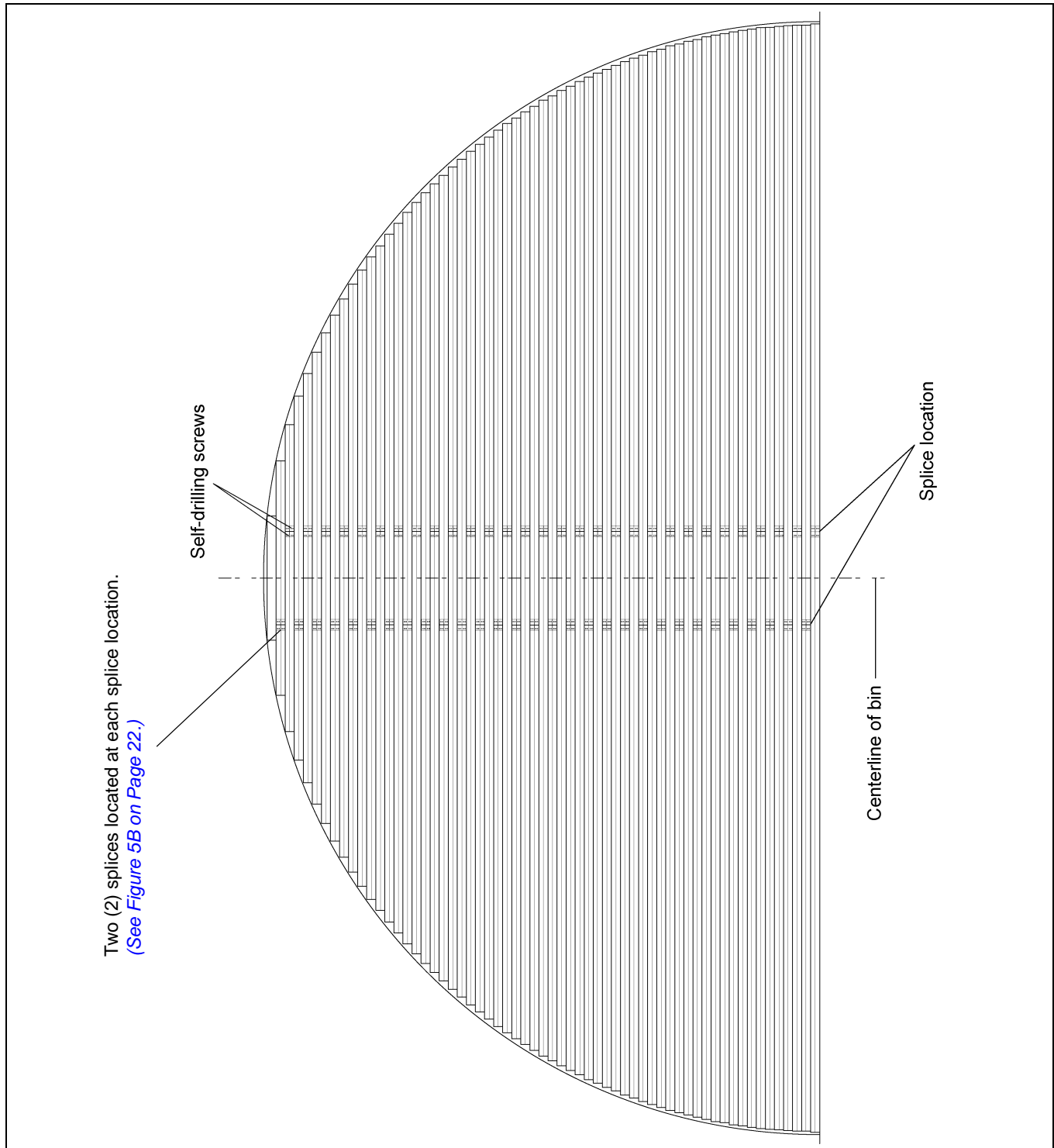


Figure 5A Floor Splice Layout

5. Flooring - Planks

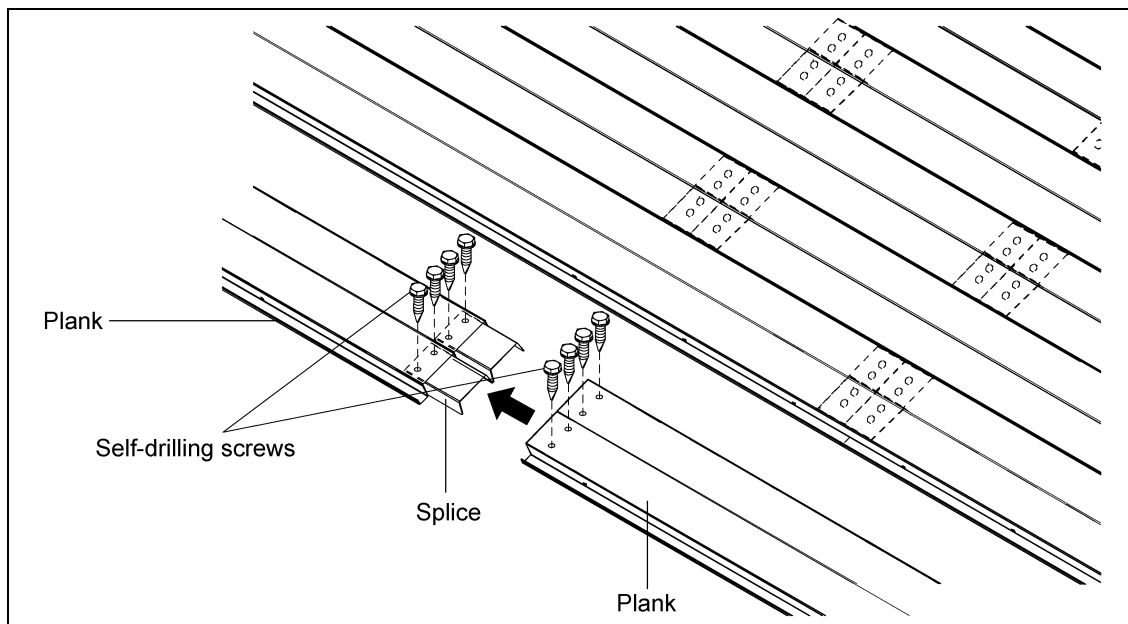


Figure 5B Splice Assembly View

Flashing Installation

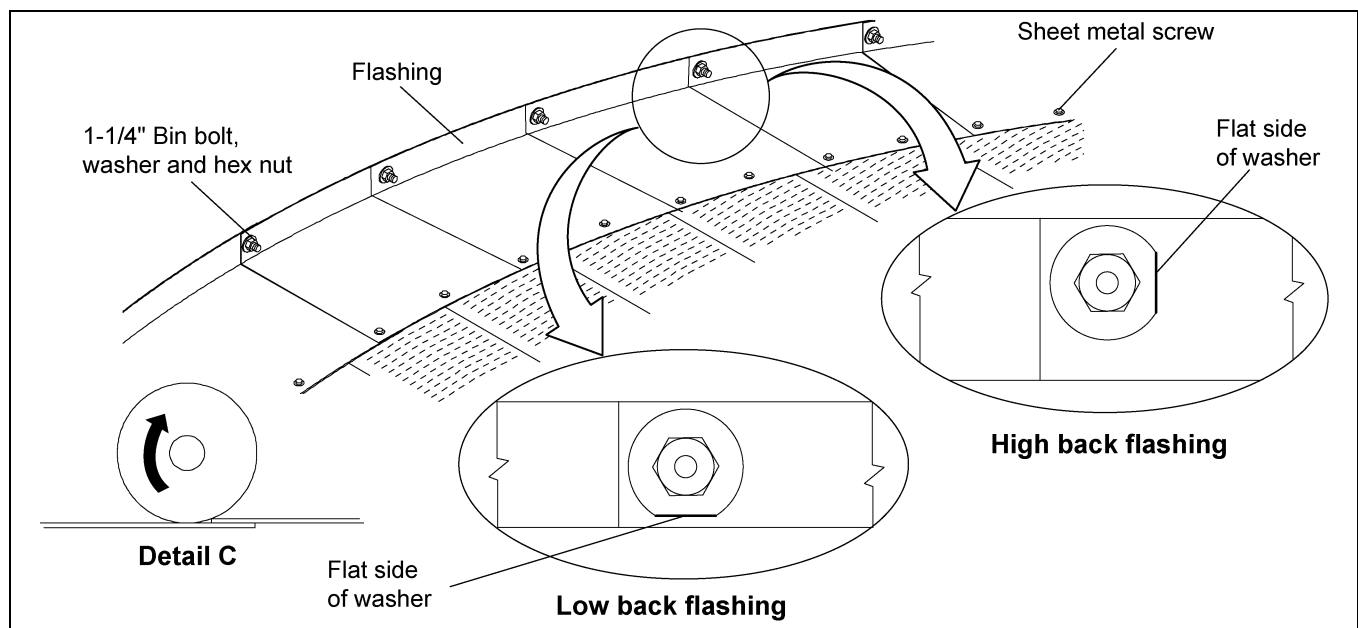


Figure 5C

Formed Flashing Installation

If bin sweep auger is to be used, overlap flashing such that rotation (usually clockwise) of the sweep will climb up on the next flashing section. (See detail C in [Figure 5C](#).) This will prevent the rotating/slipping outer wheel of the sweep from catching on the flashing edges.

After the floor is in place, lay the flashing pieces on top of the floor place over the 1-1/4" bin bolts. [See Figure 5D and Figure 5E on Page 23](#) to determine the correct sequence for placing the nuts and washers. Finger tighten the nuts. While holding flashing flat, fasten the flashing to the floor with sheet metal screws. Now tighten flashing nuts.

Flashing Installation (Continued)

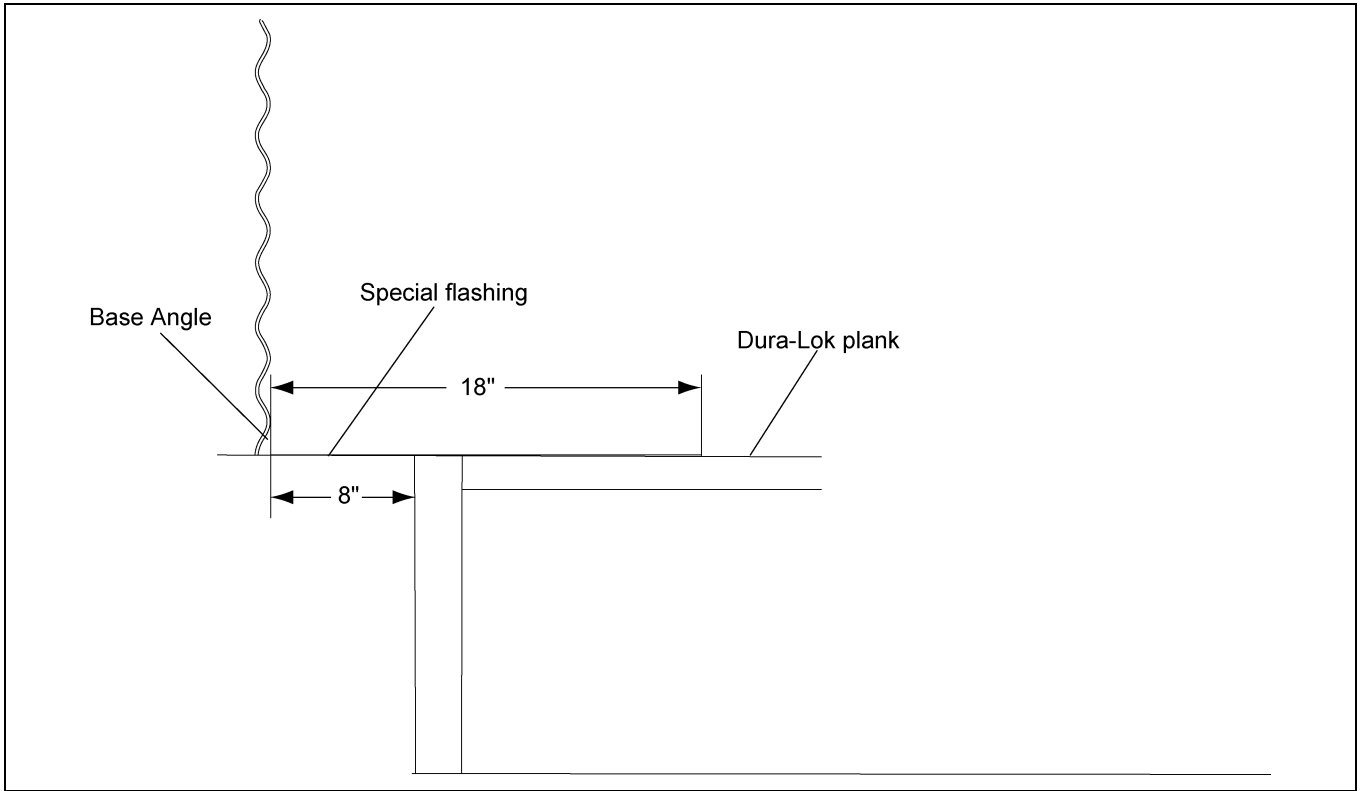


Figure 5D 2.66" Corrugation

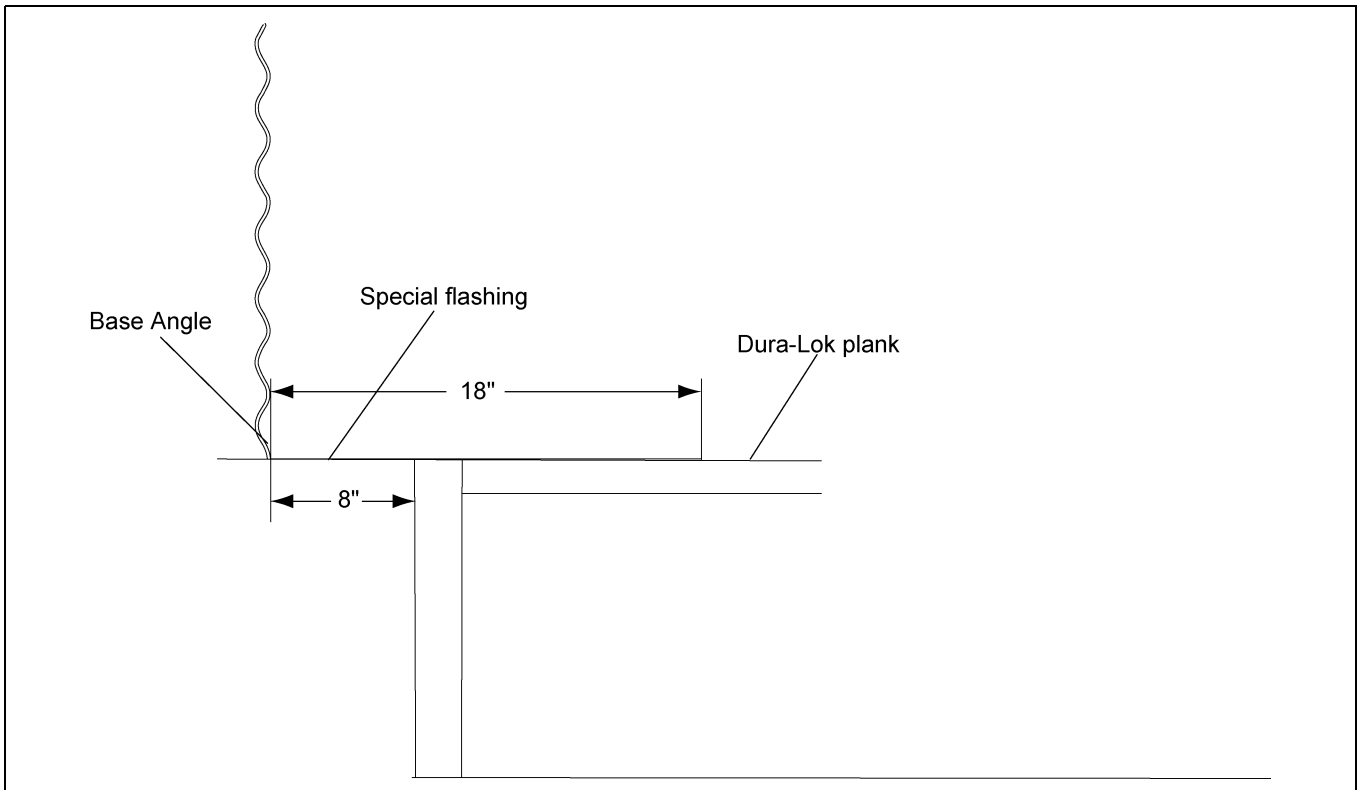


Figure 5E 4" Corrugation

Center Well Assembly Details

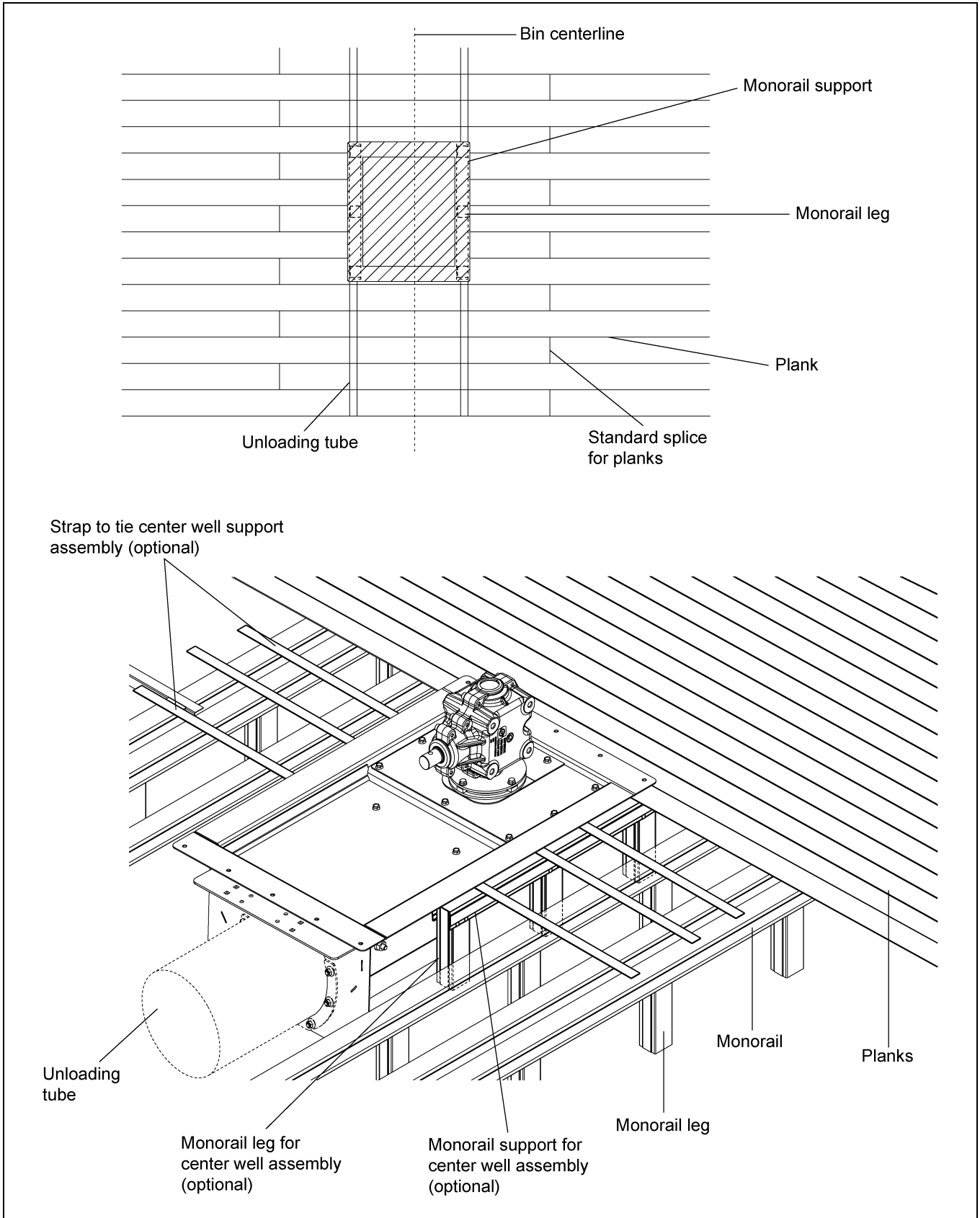


Figure 5F 60' Diameter Bin Center Well Position for Recessed Full Floor

Intermediate Well Assembly Details

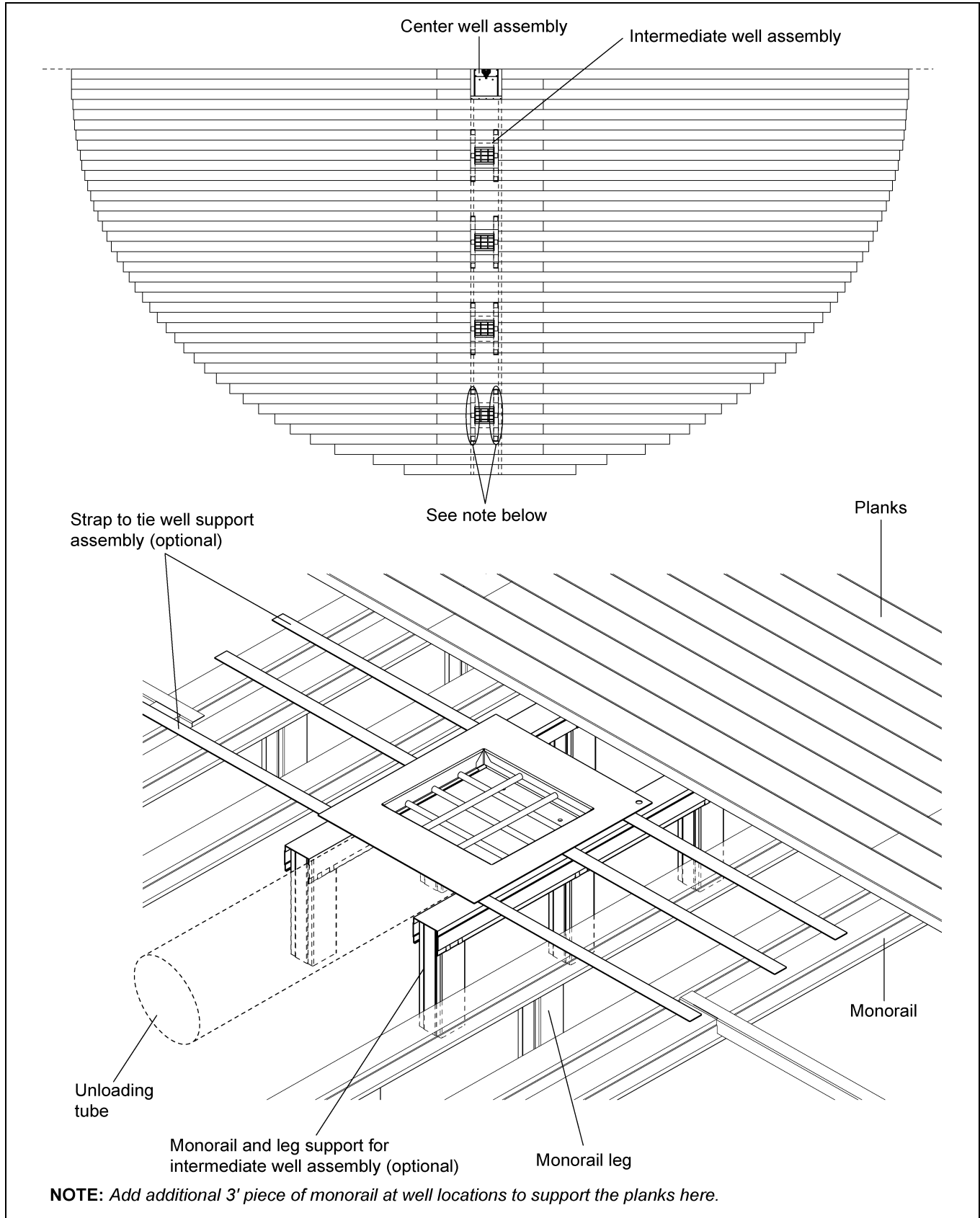


Figure 5G 60' Diameter Bin Intermediate Well Position for Recessed Full Floor

60'-18" Rail Spacing Layout for Recessed Full Floor

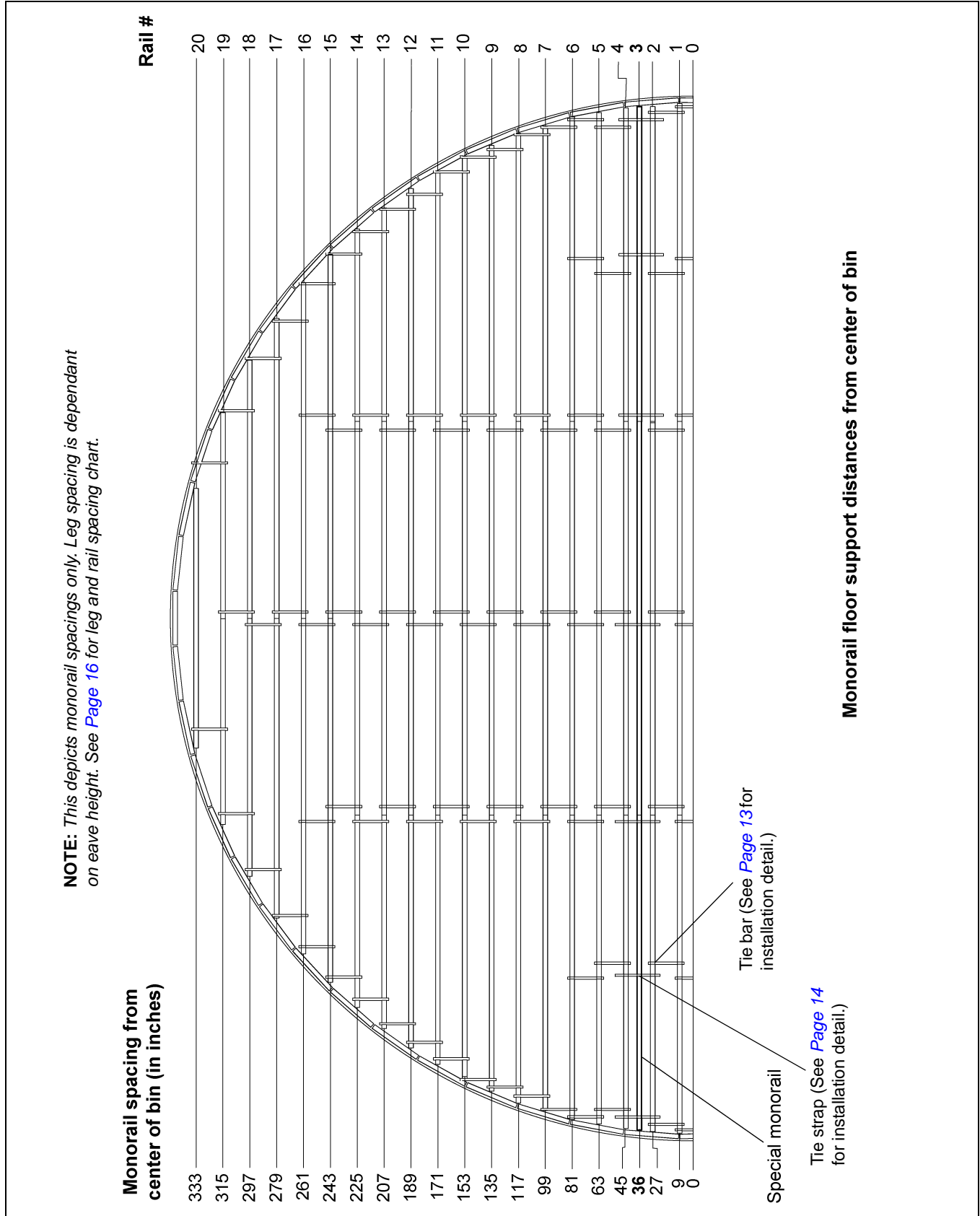


Figure 6A 60' Diameter 18" Rail Spacing for Recessed Full Floor

60'-18" Monorail Spacing Layout for Recessed Full Floor

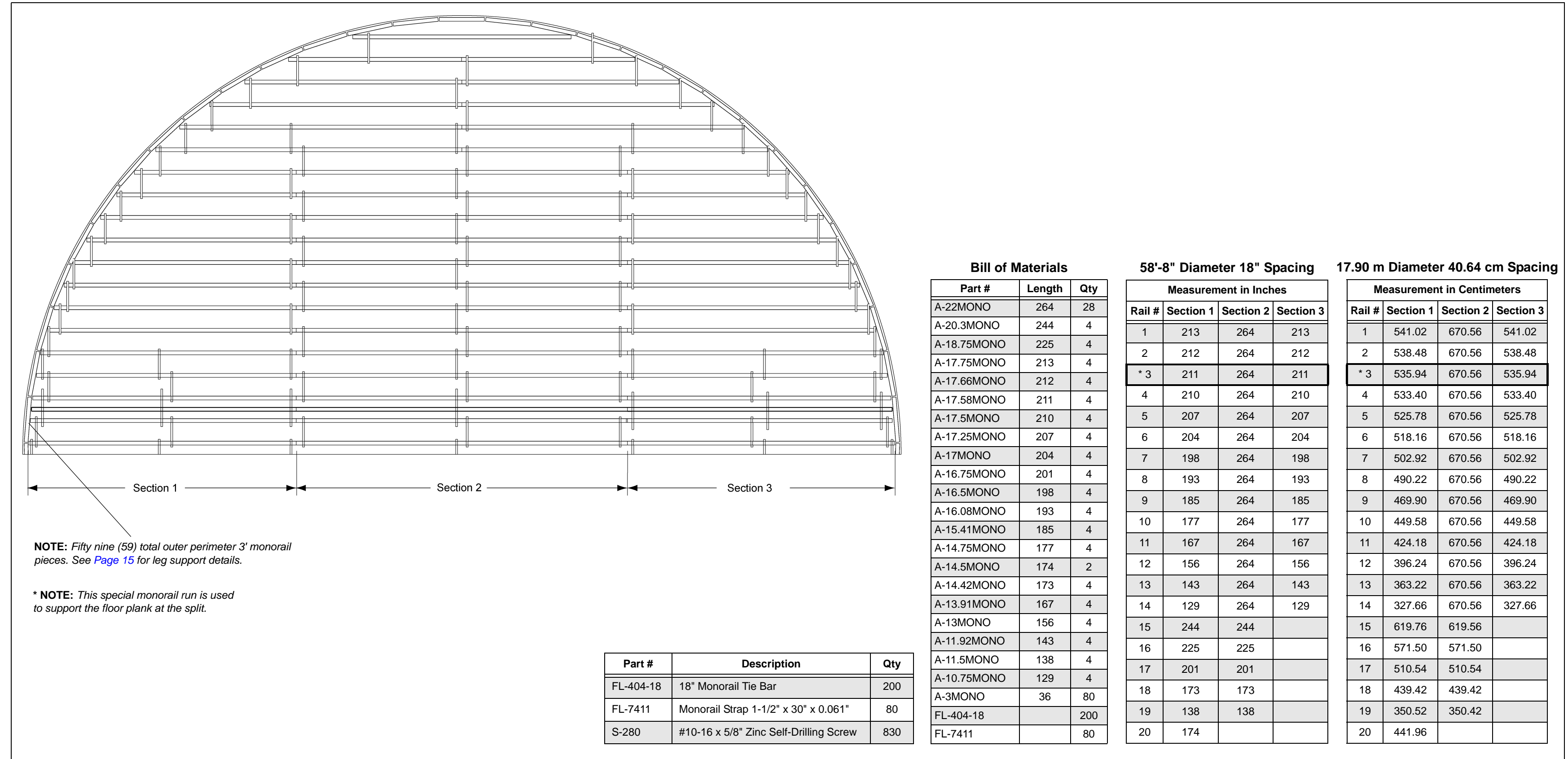
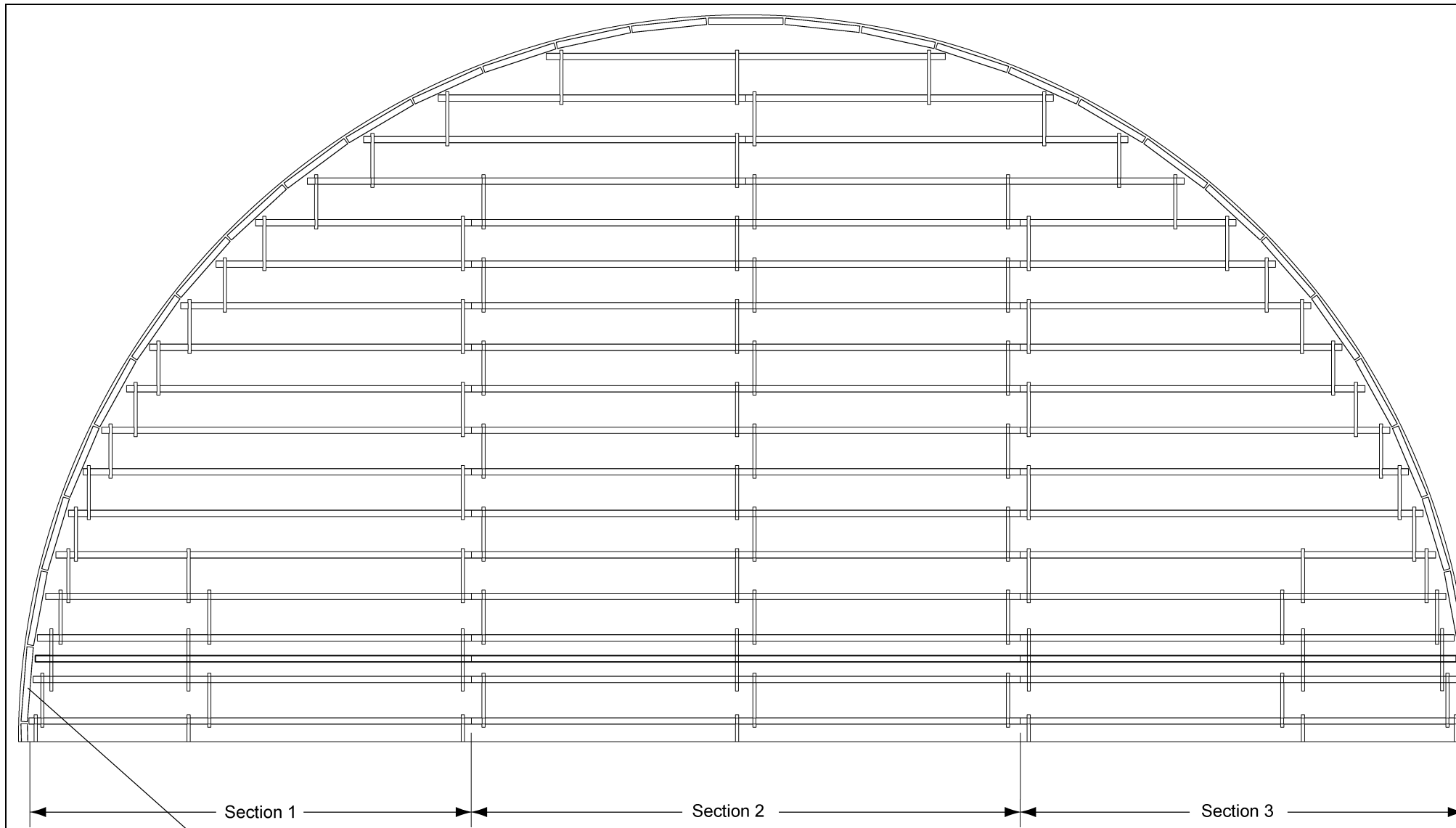


Figure 6B 60'-18" Monorail Spacing Layout for Recessed Full Floor

60'-20" Monorail Spacing Layout for Recessed Full Floor



NOTE: Fifty nine (59) total outer perimeter 3' monorail pieces. See Page 15 for leg support details.

*** NOTE:** This special monorail run is used to support the floor plank at the split.

Part #	Description	Qty
FL-404-1	20" Monorail Tie Bar	180
FL-7411	Monorail Strap 1-1/2" x 30" x 0.061"	80
S-280	#10-16 x 5/8" Zinc Self-Drilling Screw	830

Bill of Materials

Part #	Length	Qty
A-22MONO	264	28
A-17.75MONO	213	4
A-17.58MONO	211	8
A-17.5MONO	210	4
A-17.42MONO	209	4
A-17.08MONO	205	4
A-16.6MONO	200	4
A-16.2MONO	194	4
A-16MONO	192	2
A-15.58MONO	187	4
A-15.3MONO	184	4
A-14.83MONO	178	4
A-13.9MONO	166	4
A-12.9MONO	155	4
A-12.3MONO	148	4
A-11.7MONO	140	4
A-10.25MONO	123	4
A-8.66MONO	104	4
A-3MONO	36	70

58'-8" Diameter 20" Spacing

Measurement in Inches			
Rail #	Section 1	Section 2	Section 3
1	213	264	213
2	211	264	211
* 3	210	264	210
4	209	264	209
5	205	264	205
6	200	264	200
7	194	264	194
8	187	264	187
9	178	264	178
10	166	264	166
11	155	264	155
12	140	264	140
13	123	264	123
14	104	264	104
15	211	211	
16	184	184	
17	148	148	
18	192		

17.90 m Diameter 50.80 cm Spacing

Measurement in Centimeters			
Rail #	Section 1	Section 2	Section 3
1	541.02	670.56	541.02
2	535.94	670.56	535.94
* 3	533.40	670.56	533.40
4	530.86	670.56	530.86
5	520.70	670.56	520.70
6	508.00	670.56	508.00
7	492.76	670.56	492.76
8	474.98	670.56	474.98
9	452.12	670.56	452.12
10	421.64	670.56	421.12
11	393.70	670.56	393.70
12	355.60	670.56	355.20
13	312.42	670.56	312.42
14	264.16	670.56	264.16
15	535.94	535.94	
16	467.36	467.36	
17	375.92	375.92	
18	487.68		

Figure 6C 60'-20" Monorail Spacing Layout for Recessed Full Floor

60'-20" Rail Spacing Layout for Recessed Full Floor

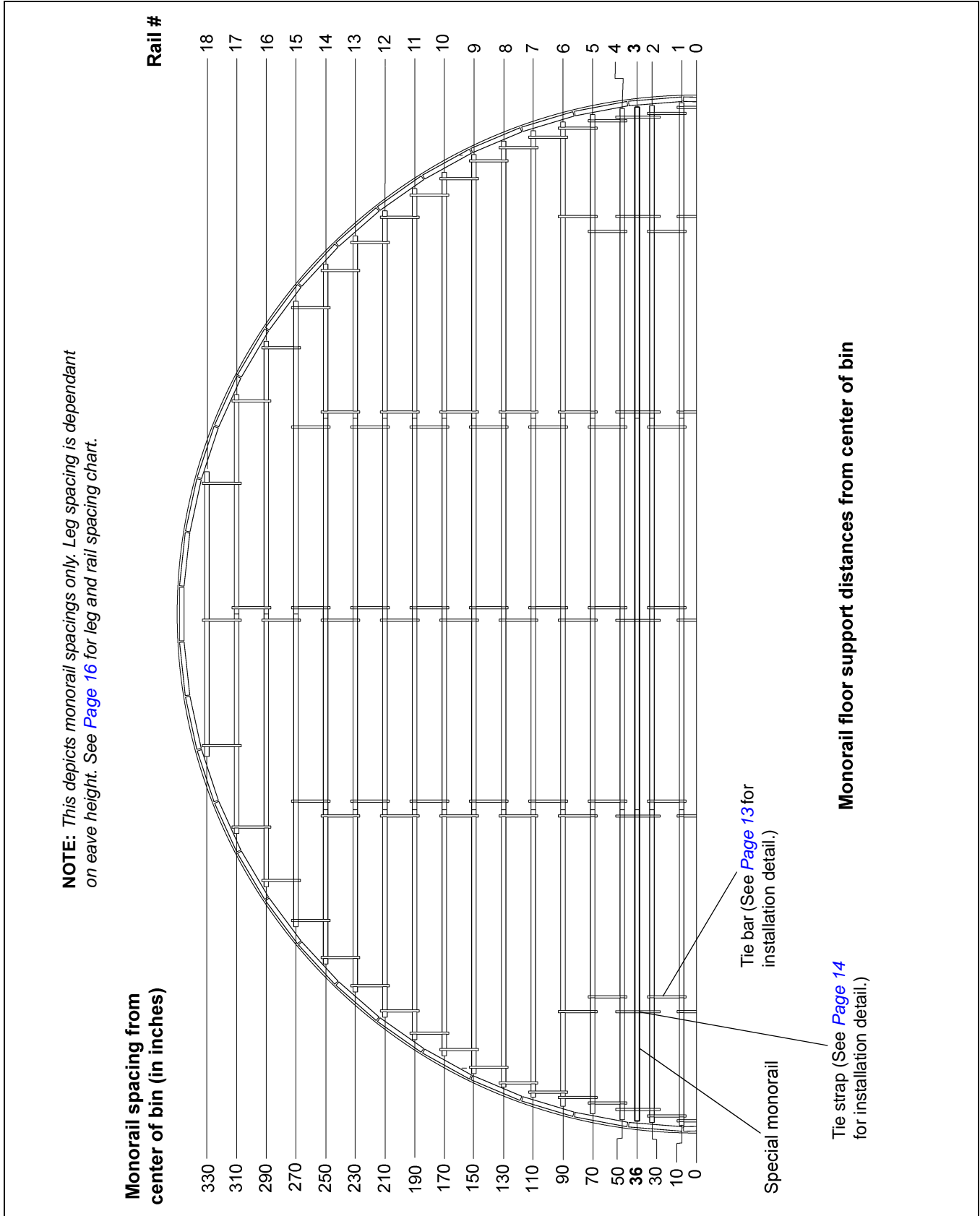


Figure 6D 60' Diameter 20" Rail Spacing for Recessed Full Floor

60' Bundle Layout for Recessed Full Floor

NOTE: The 60' recessed floor is split up into two (2) bundles, two (2) of which are identical to each other. The split of the floor is staggered from one 7" plank to the next. The bundle is arranged so that the "A" plank is installed together with the "B" plank.

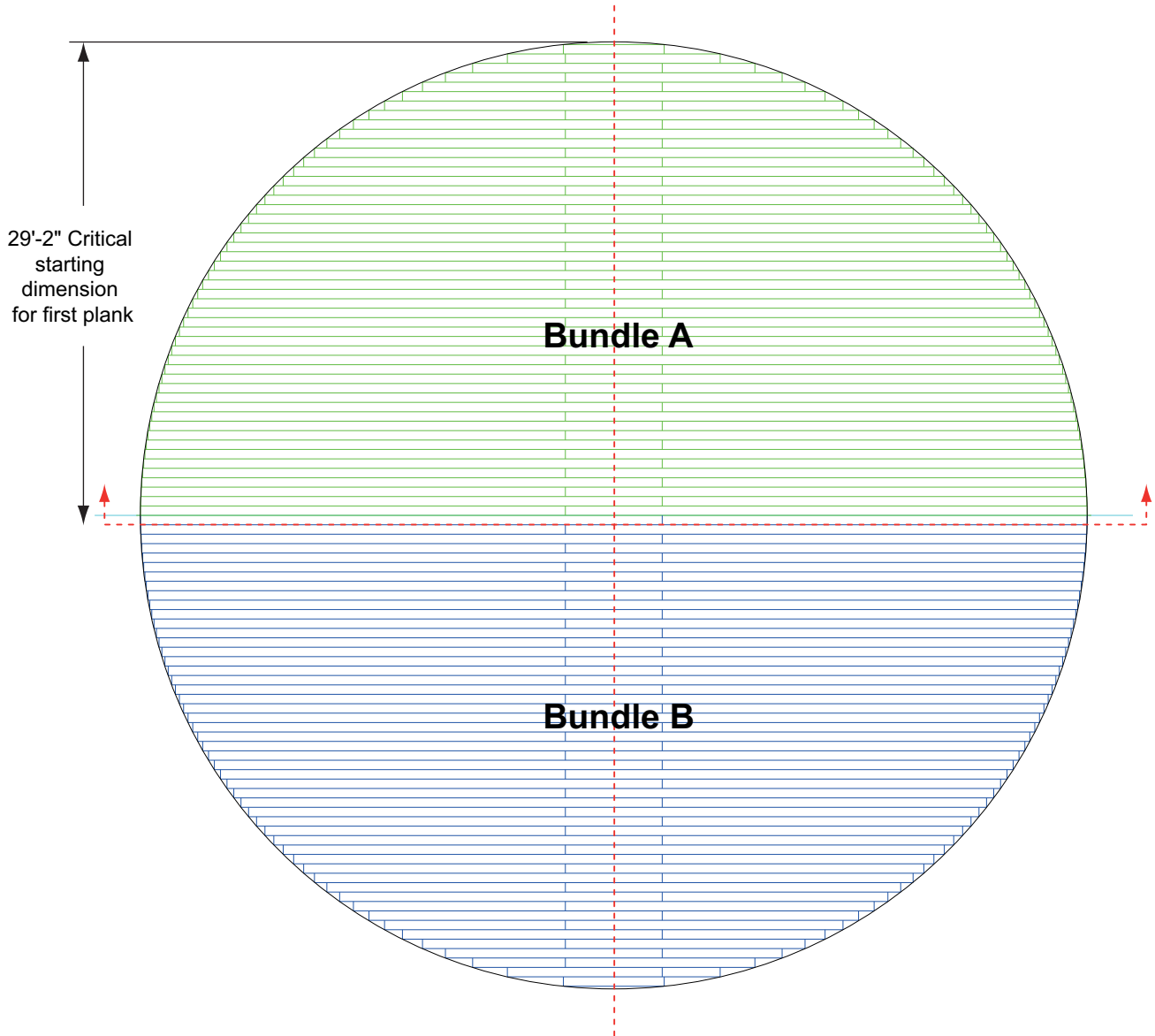


Figure 6E 60' Bundle Layout for Recessed Full Floor

60' Recessed Dura-Lok Plank Floor Bundle Layout

Plank Layout by Marking			
2B	1	2A	
9B	7B	5B	3B
10A	8A	6A	4A
9A	7A	5A	3A
10B	8B	6B	4B
17B	15B	13B	11B
18A	16A	14A	12A
17A	15A	13A	11A
18B	16B	14B	12B
25B	23B	21B	19B
26A	24A	22A	20A
25A	23A	21A	19A
26B	24B	22B	20B
33B	31B	29B	27B
34A	32A	30A	28A
33A	31A	29A	27A
34B	32B	30B	28B
41B	39B	37B	35B
42A	40A	38A	36A
41A	39A	37A	35A
42B	40B	38B	36B
49B	47B	45B	43B
50A	48A	46A	44A
49A	47A	45A	43A
50B	48B	46B	44B

Plank Layout by Length			
115	75	43	
157.5	134.5	106	69
168	146	121	89
229.5	206.5	178	141
240	218	193	161
223.5	210	194.5	177.5
229.5	216.5	202	186.5
295.5	282	266.5	249.5
301.5	288.5	274	258.5
265.5	256.5	246.5	235.5
269.5	261	251.5	241
337.5	328.5	318.5	307.5
341.5	333	323.5	313
292.5	287	280.5	273.5
295.5	290	284	277
364.5	359	352.5	345.5
367.5	362	356	349
309	306	302	297.5
310.5	307.5	304	300
381	378	374	369.5
382.5	379.5	376	372
315.5	315	313.5	311.5
316	315.5	314.5	312.5
387.5	387	385.5	383.5
388	387.5	386.5	384.5

NOTES:

1. Looking from end of the bundle where all plank edges are butted flush.
2. Two (2) identical bundles required for complete floor.
3. Plank banding and sub-banding denoted by grid lines in charts.

60' Plank Layout for Recessed Full Floor

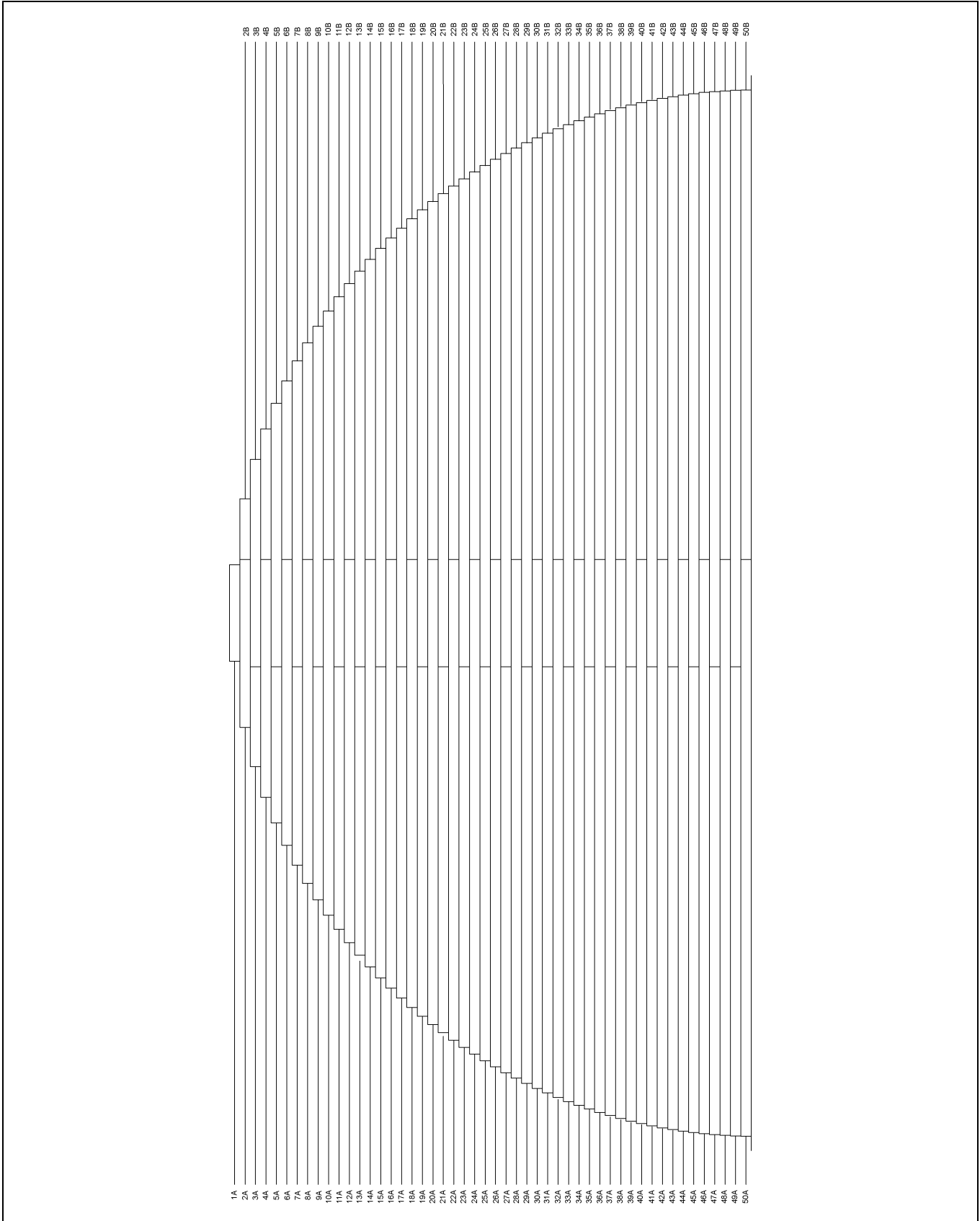


Figure 6F Plank Layout for 60' Diameter Bin Recessed Full Floor

60' Recessed Floor Plank Layout for Manual

Plank #	Length Plank A	In Inch	In Metric
1A	5'-5"	65	165.1
2A	9'-5"	113	287.02
3A	5'-7"	67	170.18
4A	13' - 3-1/2"	159.5	405.13
5A	8'-9"	105	266.7
6A	16'-0"	192	487.68
7A	11' - 1-1/2"	133.5	339.09
8A	18' - 1-1/2"	217.5	552.45
9A	13' - 0-1/2"	156.5	397.51
10A	19'-11"	239	607.06
11A	14' - 8-1/2"	176.5	448.31
12A	21' - 5-1/2"	257.5	654.05
13A	16' - 1-1/2"	193.5	491.49
14A	22' - 9-1/2"	273.5	694.69
15A	17'-5"	209	530.86
16A	24'-0"	288	731.52
17A	18' - 6-1/2"	222.5	565.15
18A	25'-1"	301	764.54
19A	19'-7"	235	596.9
20A	26' - 0-1/2"	312.5	793.75
21A	20'-6"	246	624.84
22A	26'-11"	323	820.42
23A	21' - 3-1/2"	255.5	648.97
24A	27' - 8-1/2"	332.5	844.55
25A	22' - 0-1/2"	264.5	671.83
26A	28'-5"	341	866.14
27A	22' - 8-1/2"	272.5	692.15
28A	29' - 0-1/2"	348.5	885.19
29A	23'-4"	280	711.2
30A	29'-7"	355	901.7
31A	23' - 10-1/2"	286.5	727.71
32A	30' - 1-1/2"	361.5	918.21
33A	24'-4"	292	741.68
34A	30' - 6-1/2"	366.5	930.91
35A	24'-9"	297	754.38
36A	30' - 11-1/2"	371.5	943.61
37A	25' - 1-1/2"	301.5	765.81
38A	31' - 3-1/2"	375.5	953.77
39A	25' - 5-1/2"	305.5	775.97
40A	31'-7"	379	962.66
41A	25' - 8-1/2"	308.5	783.59
42A	31'-10"	382	970.28
43A	25'-11"	311	789.94
44A	32'-0"	384	975.36
45A	26'-1"	313	795.02
46A	32' - 1-1/2"	385.5	979.17
47A	26'-3"	315	800.1
48A	32'-3"	387	982.98
49A	26'-3"	315	800.1
50A	32' - 3-1/2"	387.5	984.25

Plank #	Length Plank B	In Inch	In Metric
2B	3'-5"	41	104.14
3B	11' - 7-1/2"	139.5	354.33
4B	7'-4"	88	223.52
5B	14'-9"	177	449.58
6B	10'-0"	120	304.8
7B	17' - 1-1/2"	205.5	521.97
8B	12' - 1-1/2"	145.5	369.57
9B	19' - 0-1/2"	228.5	580.39
10B	13'-11"	167	424.18
11B	20' - 8-1/2"	248.5	631.19
12B	15' - 5-1/2"	185.5	471.17
13B	22'-2"	266	675.64
14B	16' - 9-1/2"	201.5	511.81
15B	23'-5"	281	713.74
16B	18'-0"	216	548.64
17B	24' - 6-1/2"	294.5	748.03
18B	19'-1"	229	581.66
19B	25'-7"	307	779.78
20B	20' - 0-1/2"	240.5	610.87
21B	26'-6"	318	807.72
22B	20'-11"	251	637.54
23B	27'-4"	328	833.12
24B	21' - 8-1/2"	260.5	661.67
25B	28'-1"	337	855.98
26B	22'-5"	269	683.26
27B	28'-9"	345	876.3
28B	23' - 0-1/2"	276.5	702.31
29B	29'-4"	352	894.08
30B	23' - 7-1/2"	283.5	720.09
31B	29' - 10-1/2"	358.5	910.59
32B	24' - 1-1/2"	289.5	735.33
33B	30'-4"	364	924.56
34B	24'-7"	295	749.3
35B	30'-9"	369	937.26
36B	24' - 11-1/2"	299.5	760.73
37B	31' - 1-1/2"	373.5	948.69
38B	25' - 3-1/2"	303.5	770.89
39B	31' - 5-1/2"	377.5	958.85
40B	25'-7"	307	779.78
41B	31' - 8-1/2"	380.5	966.47
42B	25'-10"	310	787.4
43B	31'-11"	383	972.82
44B	26'-0"	312	792.48
45B	32'-1"	385	977.9
46B	26'-2"	314	797.56
47B	32' - 2-1/2"	386.5	981.71
48B	26'-3"	315	800.1
49B	32' - 3-1/2"	387.5	984.25
50B	26' - 3-1/2"	315.5	801.37

NOTES

Limited Warranty - N.A. Grain Products

The GSI Group, LLC. (“GSI”) warrants products which it manufactures, to be free of defects in materials and workmanship under normal usage and conditions for a period of 12 months from the date of shipment (or, if shipped by vessel, 14 months from the date of arrival at the port of discharge). If, in GSI’s sole judgment, a product is found to have a defect in materials and/or workmanship, GSI will, at its own option and expense, repair or replace the product or refund the purchase price. This Limited Warranty is subject to extension and other terms as set forth below.

Warranty Enhancements:

The warranty period for the following products is enhanced as shown below and is in lieu of (and not in addition to) the above stated warranty period. (Warranty Period is from date of shipment.)

	Product	Warranty Period
Storage	Grain Bin Structural Design <ul style="list-style-type: none"> • Sidewall, roof, doors, platforms and walkarounds • Flooring (when installed using GSI specified floor support system for that floor) • Hopper tanks (BFT, GHT, NCHT, and FCHT) 	5 Years
	Dryer Structural Design - (Tower, Portable and TopDry) <ul style="list-style-type: none"> • Includes (frame, portable dryer screens, ladders, access doors and platforms) 	5 Years
Conditioning	All other Dryer parts including: <ul style="list-style-type: none"> • Electrical (controls, sensors, switches and internal wiring) 	2 Years
	All Non-PTO Driven Centrifugal and Axial Fans	3 Years
	Bullseye Controllers	2 Years
	Bucket Elevators Structural Design	5 Years
Material Handling	Towers Structural Design	5 Years
	Catwalks Structural Design	5 Years
	Accessories (stairs, ladders and platforms) Structural Design	5 Years

Conditions and Limitations:

THERE ARE NO WARRANTIES THAT EXTEND BEYOND THE LIMITED WARRANTY DESCRIPTION SET FORTH HEREIN; SPECIFICALLY, GSI DISCLAIMS ANY AND ALL OTHER WARRANTIES OF ANY KIND, EXPRESS OR IMPLIED, INCLUDING, WITHOUT LIMITATION, WARRANTIES OF MERCHANTABILITY OR FITNESS FOR A PARTICULAR PURPOSE OR USE IN CONNECTION WITH: (I) ANY PRODUCT MANUFACTURED OR SOLD BY GSI, OR (II) ANY ADVICE, INSTRUCTION, RECOMMENDATION OR SUGGESTION PROVIDED BY AN AGENT, REPRESENTATIVE OR EMPLOYEE OF GSI REGARDING OR RELATED TO THE CONFIGURATION, INSTALLATION, LAYOUT, SUITABILITY FOR A PARTICULAR PURPOSE, OR DESIGN OF SUCH PRODUCTS.

The sole and exclusive remedy for any claimant is set forth in this Limited Warranty and shall not exceed the amount paid for the product purchased. This Warranty only covers the value of the warranted parts and equipment, and does not cover labor charges for removing or installing defective parts, shipping charges with respect to such parts, any applicable sales or other taxes, or any other charges or expenses not specified in this Warranty. GSI shall not be liable for any other direct, indirect, incidental or consequential damages, including, without limitation, loss of anticipated profits or benefits. Expenses incurred by or on behalf of a claimant without prior written authorization from the GSI warranty department shall not be reimbursed. This warranty is not transferable and applies only to the original end-user. GSI shall have no obligation or responsibility for any representations or warranties made by or on behalf of any dealer, agent or distributor. Prior to installation, the end-user bears all responsibility to comply with federal, state and local codes which apply to the location and installation of the products.

This Limited Warranty extends solely to products sold by GSI and does not cover any parts, components or materials used in conjunction with the product, that are not sold by GSI. GSI assumes no responsibility for claims resulting from construction defects, unauthorized modifications, corrosion or other cosmetic issues caused by storage, application or environmental conditions. Modifications to products not specifically delineated in the manual accompanying the product at initial sale will void all warranties. This Limited Warranty shall not extend to products or parts which have been damaged by negligent use, misuse, alteration, accident or which have been improperly/inadequately maintained.

Notice Procedure:

In order to make a valid warranty claim a written notice of the claim must be submitted, using the RMA form, within 60 days of discovery of a warrantable nonconformance. The RMA form is found on the OneGSI portal.

Service Parts:

GSI warrants, subject to all other conditions described in this Warranty, Service Parts which it manufactures for a period of 12 months from the date of purchase unless specified in Enhancements above.

(Limited Warranty - N.A. Grain Products_ revised 01 October 2020)

This equipment shall be installed in accordance with the current installation codes and applicable regulations, which should be carefully followed in all cases. Authorities having jurisdiction should be consulted before installations are made.



**1004 E. Illinois St.
Assumption, IL 62510-0020
Phone: 1-217-226-4421
Fax: 1-217-226-4420
www.gsiag.com**

