



Roof Cap Ground Control

Ground control comes standard on 6'-60°, 7'-67° and 9'-60° Bulk Feed Tanks. Ground control is optional on all 45° Bulk Feed Tanks. Ground control components come fully assembled for the convenience. The ground control is shipped with the control arm secured for safety and shipping purposes. The short chain and retaining tie are intended for shipping use only.



The control arm is spring loaded. Be careful when removing shipping retainers.

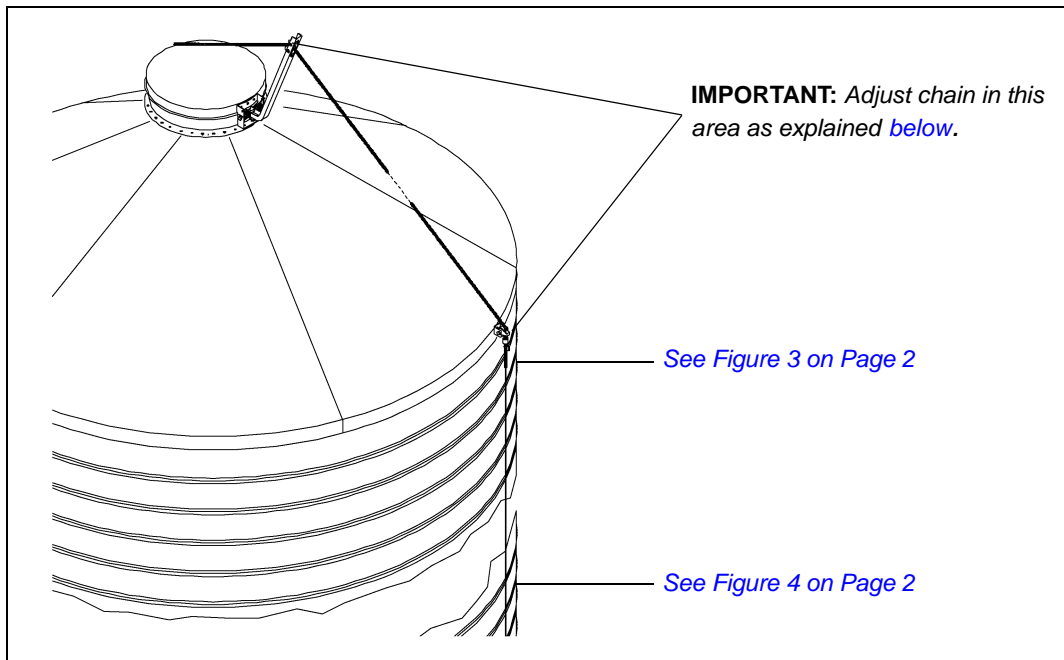


Figure 1

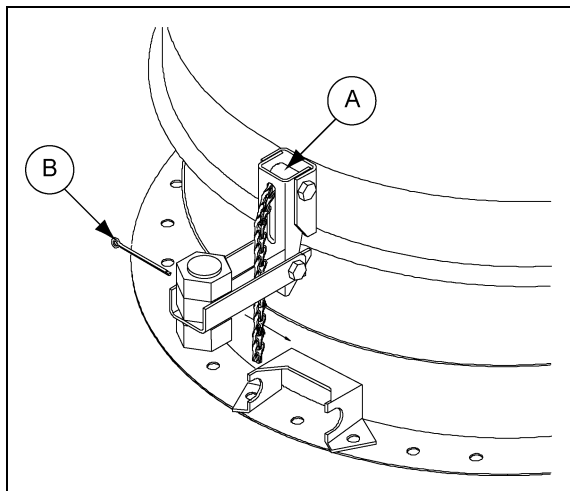


Figure 2

Ref #	Description
A	Chain Route
B	Cotter Pin



Specification Bulk Feed Tank Ground Control Insert

Refer to control arm and cap latch details for component part assembly [on Page 4](#). The cap latch hook, located opposite the cap hinge, latches over the hold-down bracket (BLK-11846). (See cap latch detail [on Page 4](#).) One end of the ground control chain is secured at the counterweight arm with a cotter pin. (See [Figure 2 on Page 1](#).) The chain is passed up and over the cap, through the grommet on the pivot arm and through the roof eave bracket (BLK-11950), then continues down the side of the tank.

After removing the slack from the ground control chain while in the fully closed and latched position. Install the key ring clip 2" below chain holder bracket. (See [Figure 4](#).) Ensure that the key ring allows the cap to fully latch when the cap is in the closed position, yet will not allow the chain enough slack on top of the cap to become wrapped around the pivot arm in a high wind condition.

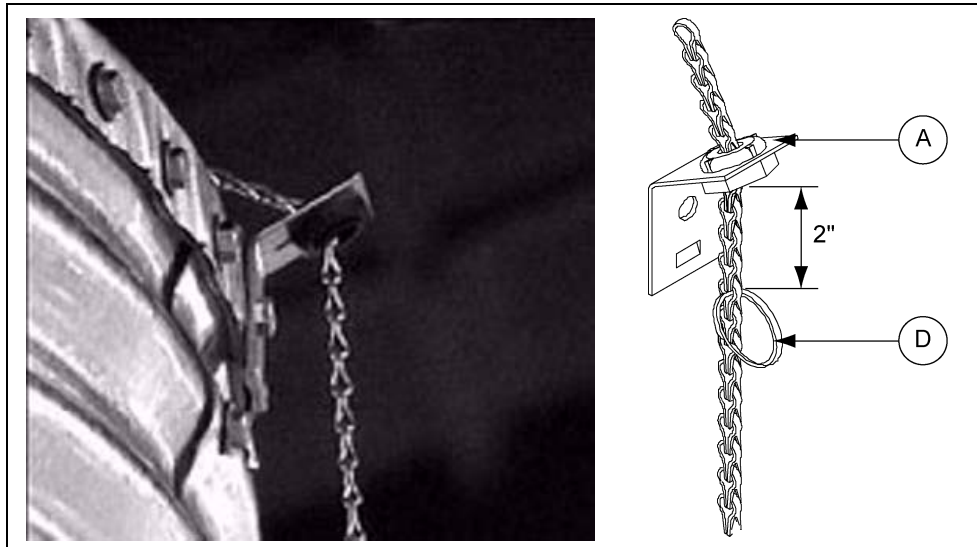


Figure 3

Make sure the loop of the main cap spring (BLK-11623) is held securely in the pre-loaded position by the head of the 5/16" bolt beneath. (See control arm detail [on Page 4](#).) If necessary, place one or more 5/16" flat washers under the bolt head to ensure that the bolt catches the loop. (See stop bolt detail [on Page 3](#).)

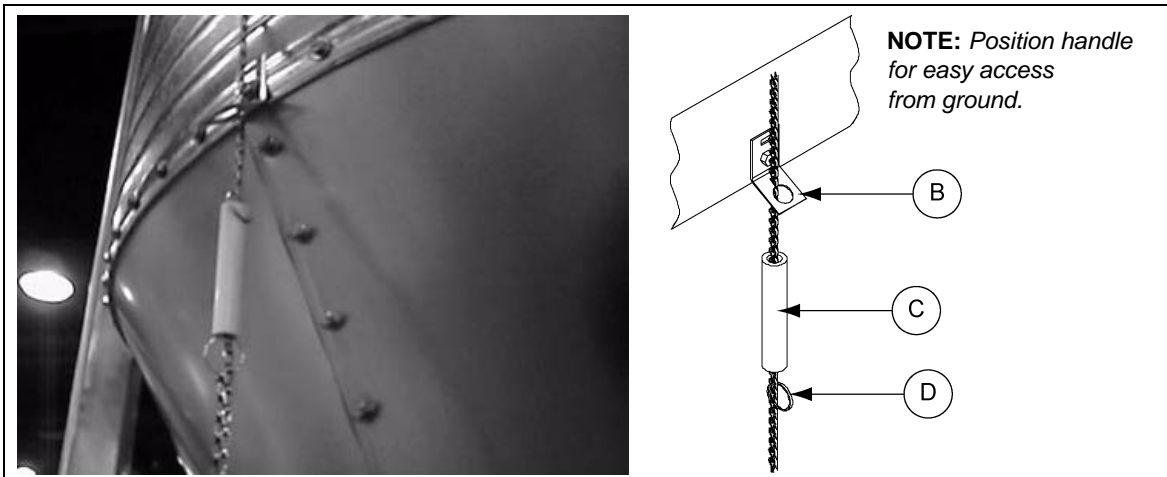


Figure 4

Ref #	Ref #	Description
A	BLK-11950	Roof Eave Bracket
B	BLK-11949	Chain Holder

Ref #	Description
C	Handle
D	Key Ring

Specification Bulk Feed Tank Ground Control Insert

Bolt the chain holder (BLK-11949) to the bottom horizontal row of sidewall holes or field drill and bolt to the leg tie brace. (See Figure 4 on Page 2.) Two (2) 4" plastic handles and extra key ring clips are provided for use at the hopper eave to be used as fully open and fully closed cap indicators.



Figure 5

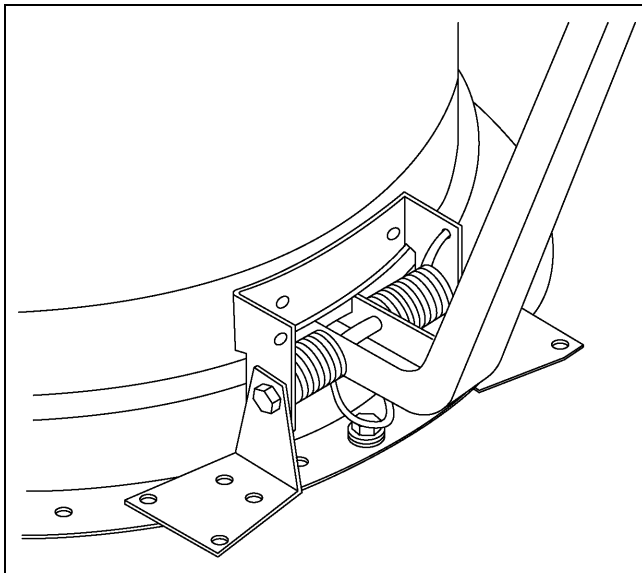


Figure 6 Stop Bolt Detail



Figure 7

The control arm is spring loaded. It must be released while on the ground and before attaching it to the peak ring. Failure to do so will result in serious injury.

Specification Bulk Feed Tank Ground Control Insert

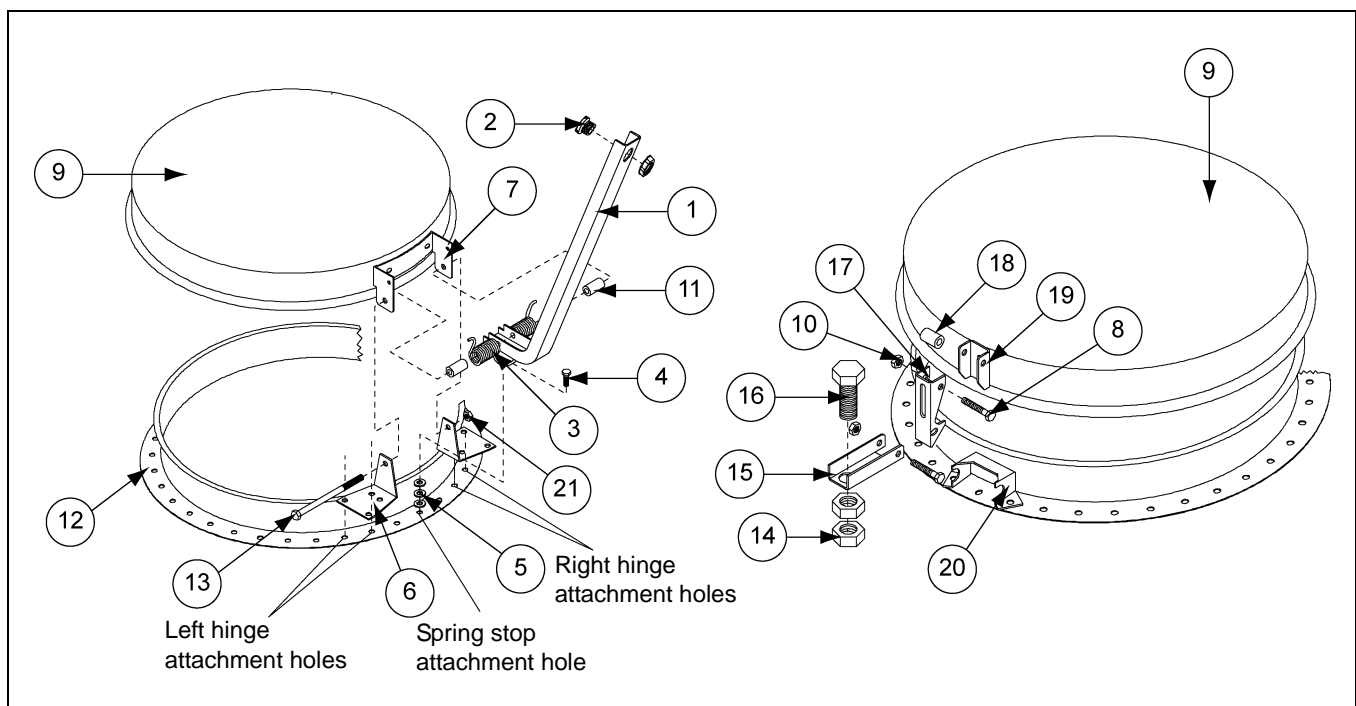


Figure 8 Control Arm and Cap Latch Detail

Control Arm and Cap Latch Parts List

Ref #	Part #	Description
1	BLK-11735	Control Arm
2	BLK-11876	Nylon Grommet with Nut
3	BLK-12808	Spring, Flush BFT Cap Heavy
4	S-10260	Flange Bolt 5/16"-18 x 1" JS500 Grade 8 or Grade 8.2 Full Thread with Sealing Washer
5	S-845	Flat Washer 5/16" USS ZN
6	BLK-11842	Lower Cap Hinge
7	BLK-11734	Upper Cap Hinge
8	S-7329	Bolt, HHCS 5/16"-18 x 2" ZN Grade 2
9	BLK-10015D	BFT Roof Cap for Ground Control
10	S-5220	Lock Nut 5/16"-18 Grade 2
11	BLK-12809	Spring, 1-3/8" O.D. PVC Center 0.438" Center Bore

Ref #	Part #	Description
12	BLK-11730	1 Piece BFT Peak Ring
13	S-7171	Bolt, HHCS 3/8"-16 x 6-1/2" ZN Grade 5
14	S-7281	Bolt, HHCS 7/8"-9 x 1-1/2" YDP Grade 2
15	BLK-11845	Latch Counterweight
16	S-3214	Hex Nut 7/8"-9 YDP Grade 2
17	BLK-11844	Peak Cap Latch
18	BLK-11795	0.938" Plastic Spacer
19	BLK-11843	Pivot Bracket
20	BLK-11846	Cap Hold-Down Bracket
21	S-4663	Stover Nut 3/8"-16 ZN Grade 2