



### Before you Begin

- Make sure the lever arm is installed to the lid and the lid is installed to the peak ring. Also, check the hinges and make sure the lid open/close properly. Make necessary adjustments if needed. (To install the lever arm and the lid, refer to Roof Cap and Ground Control Instructions in PNEG-1460/PNEG-1461.)

**IMPORTANT:** *The hinges and the lever arm should be installed parallel to any one of the legs to install the indicator bracket.*

### Installing the Indicator Bracket

1. Install the roof eave bracket (4) to the top hole of the leg (9) using existing 5/16" flange bolt (5) and 5/16" flange nut (6). (See Figure 1.)

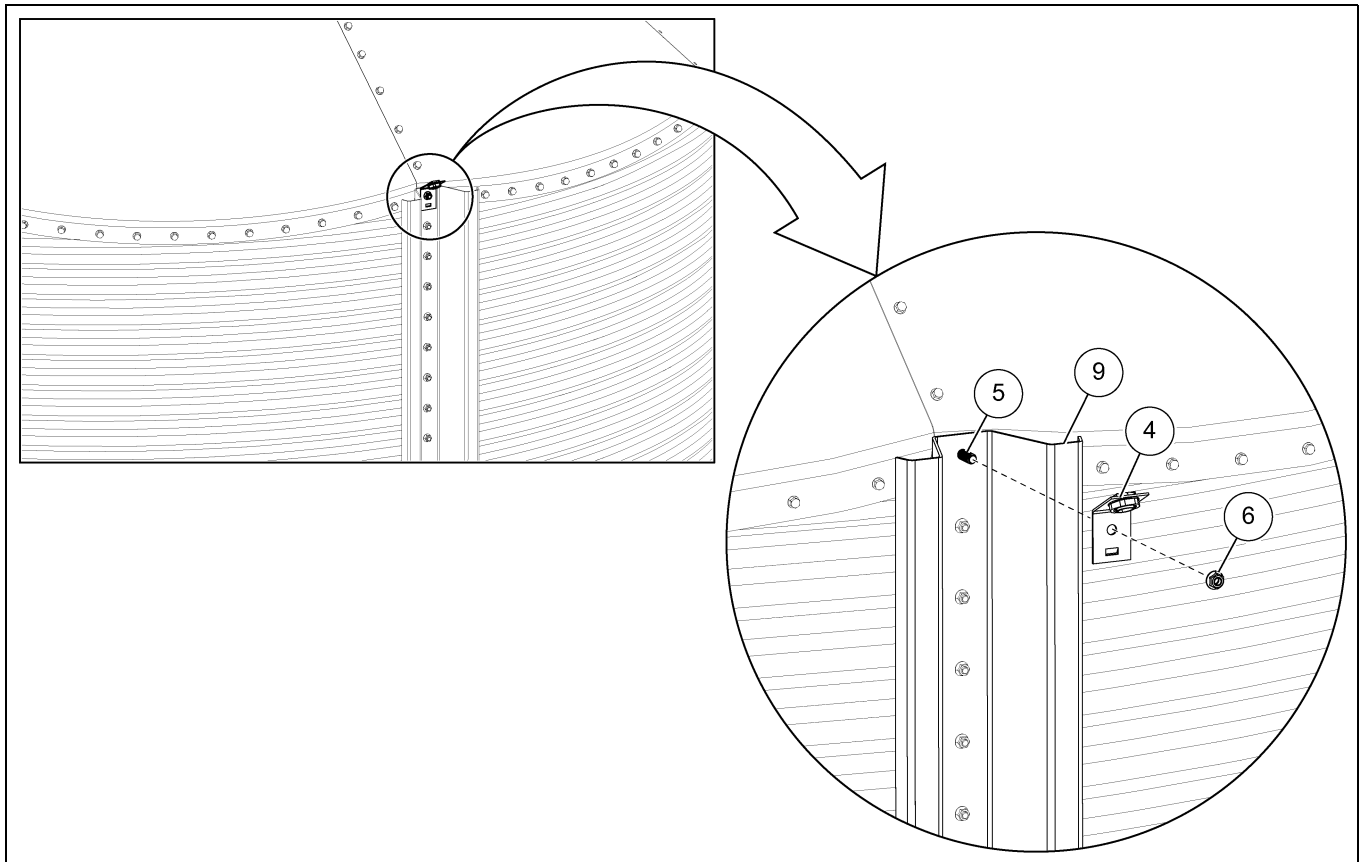


Figure 1

Ref #	Part #	Description
4	BLK-11950	Roof Eave Bracket
5	S-10260	5/16"-18 x 1" Flange Bolt with Sealing Washer
6	S-10268	5/16"-18 Flange Nut
9		Leg



## BFT Lid Open/Close Indicator Bracket Installation

2. Thread the chain (2) through the hole on the end of the lever arm (1) and secure it with the key ring (3). Loop the chain (2) through the roof eave bracket (4). (See Figure 2.)

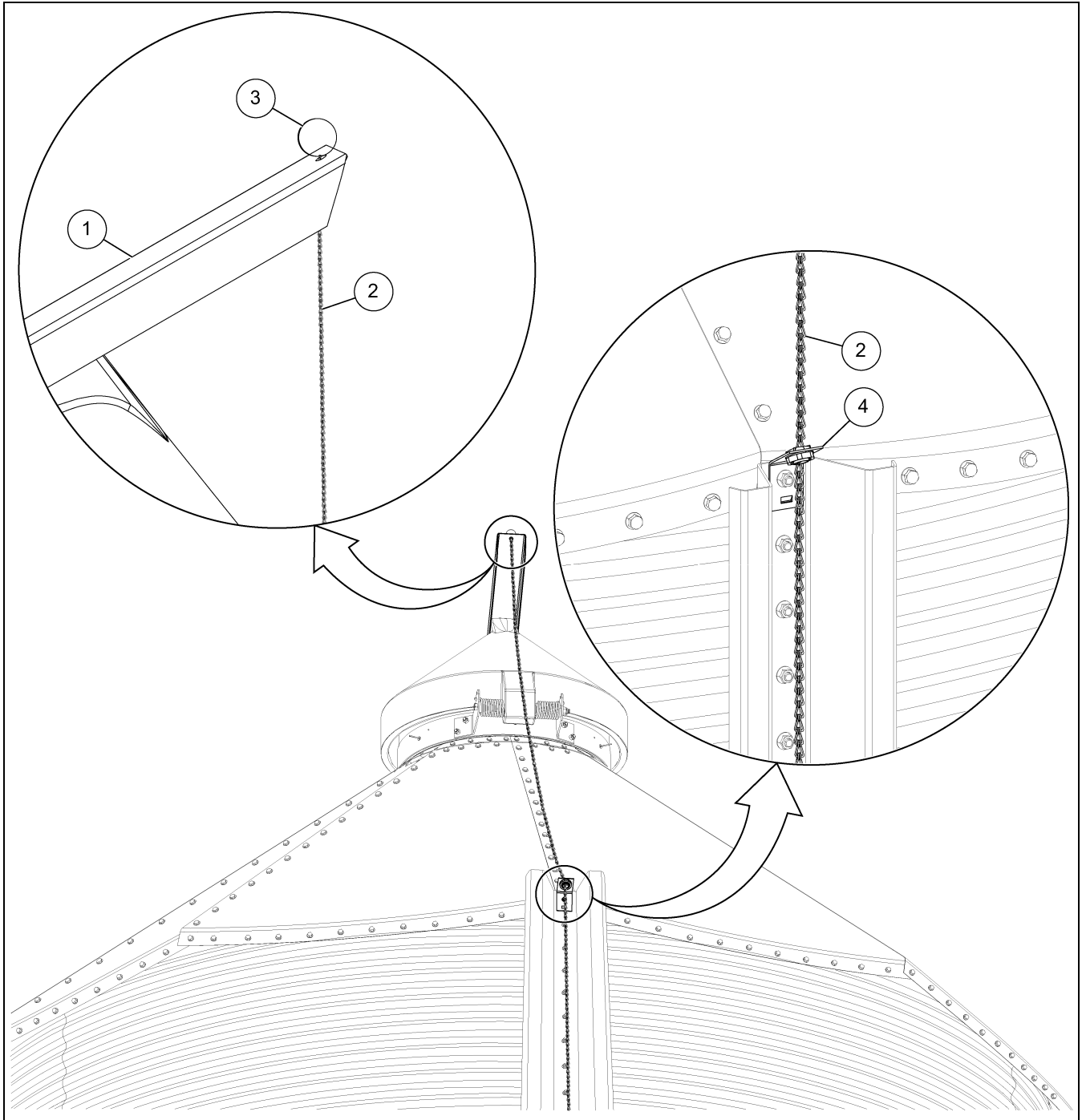


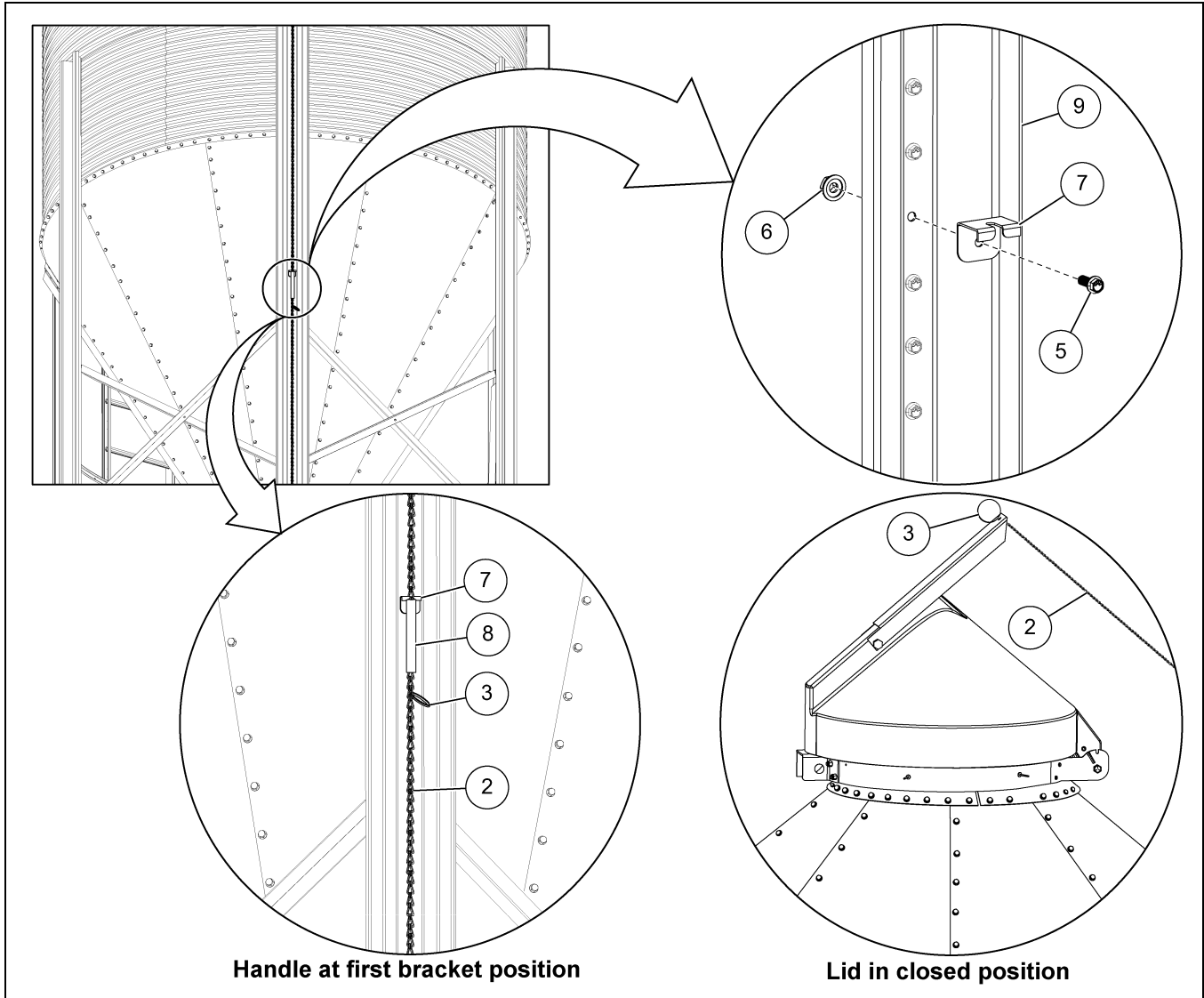
Figure 2

Ref #	Part #	Description
1	BLK-13048	Lever Arm
2	S-3382	Chain
3	S-4318	Key Ring
4	BLK-11950	Roof Eave Bracket

## BFT Lid Open/Close Indicator Bracket Installation

3. Install one indicator bracket (7) to the leg (9) at a position that can be easily accessed from the ground level using existing 5/16" flange bolt (5) and 5/16" flange nut (6). *(See Figure 3.)*
4. Without any slack, pass the chain (2) through the indicator bracket (7). Adjust the handle (8) and key ring (3), so that it stops below the indicator bracket (7). *(See Figure 3.)*

**NOTE:** Make sure the lid is in closed position before adjusting the handle (8) and the key ring (3).



**Figure 3**

Ref #	Part #	Description
2	S-3382	Chain
3	S-4318	Key Ring
5	S-10260	5/16"-18 x 1" Flange Bolt with Sealing Washer
6	S-10268	5/16"-18 Flange Nut
7	BLK-13593	BFT Lid Open/Close Indicator Bracket
8	BLK-11796	4" Plastic Handle
9		Leg

# BFT Lid Open/Close Indicator Bracket Installation

5. Install another indicator bracket (7) to the leg (9) at 35" below the previously installed bracket (7) and allow the chain (2) to pass through. (See Figure 4.)

**NOTE:** Make sure the lid is in opened before adjusting the handle (8) and the key ring (3).

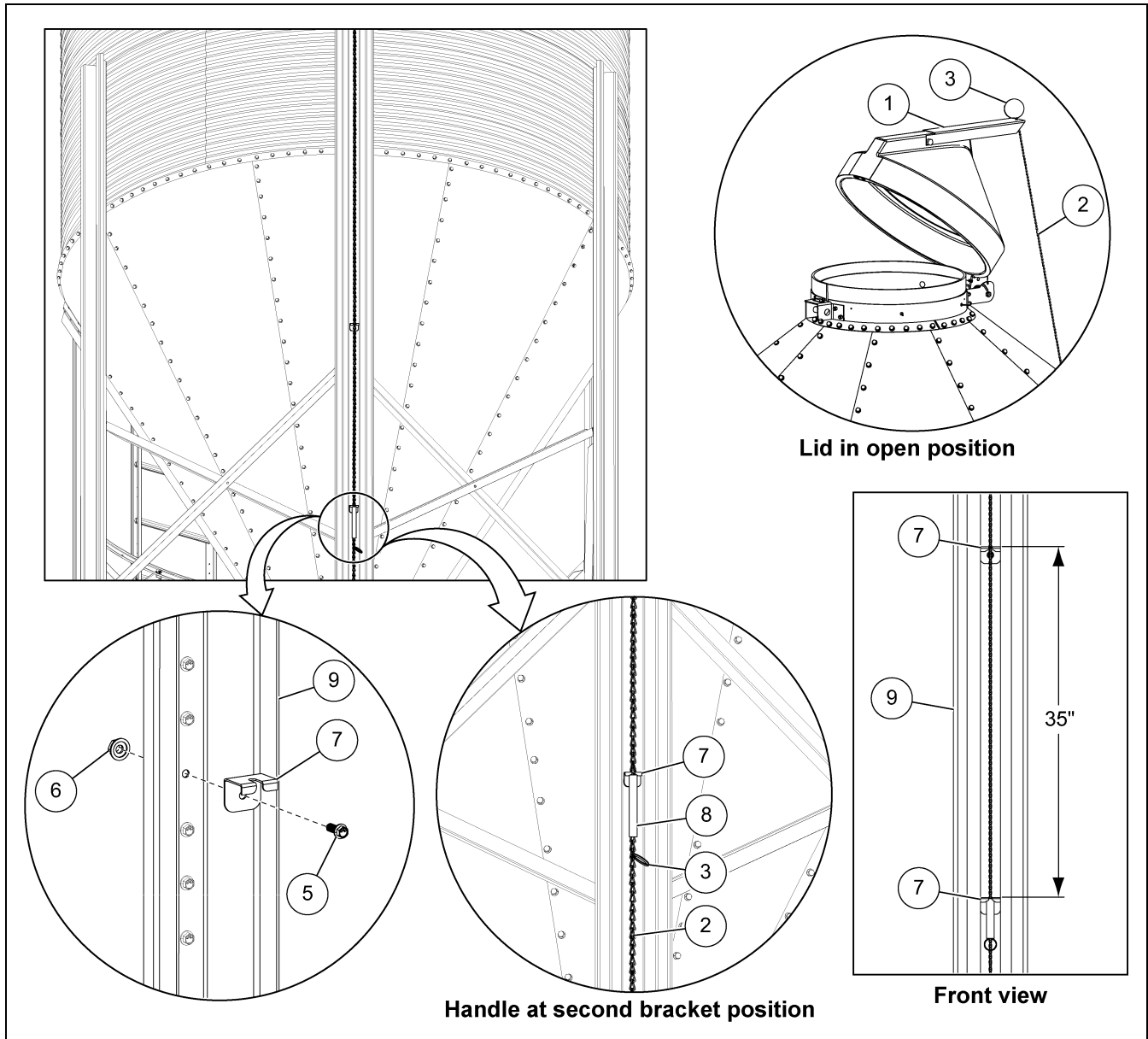


Figure 4

Ref #	Part #	Description
1	BLK-13048	Lever Arm
2	S-3382	Chain
3	S-4318	Key Ring
5	S-10260	5/16"-18 x 1" Flange Bolt with Sealing Washer

Ref #	Part #	Description
6	S-10268	5/16"-18 Flange Nut
7	BLK-13593	BFT Lid Open/Close Indicator Bracket
8	BLK-11796	4" Plastic Handle
9		Leg

6. Check and make sure that the brackets (7) installed will allow the cap to fully close/open, but will not allow the chain (2) enough slack on the top of the cap to become wrapped around the lever arm (1) in a high wind condition.