



1. Remove the intermediate well top flange (1) over the intermediate well (3) from the bin floor.
2. Slide and move the intermediate well gate (2) to the fully opened position. This allows you to install the bushings to the intermediate well (3). (See Figure 1.)

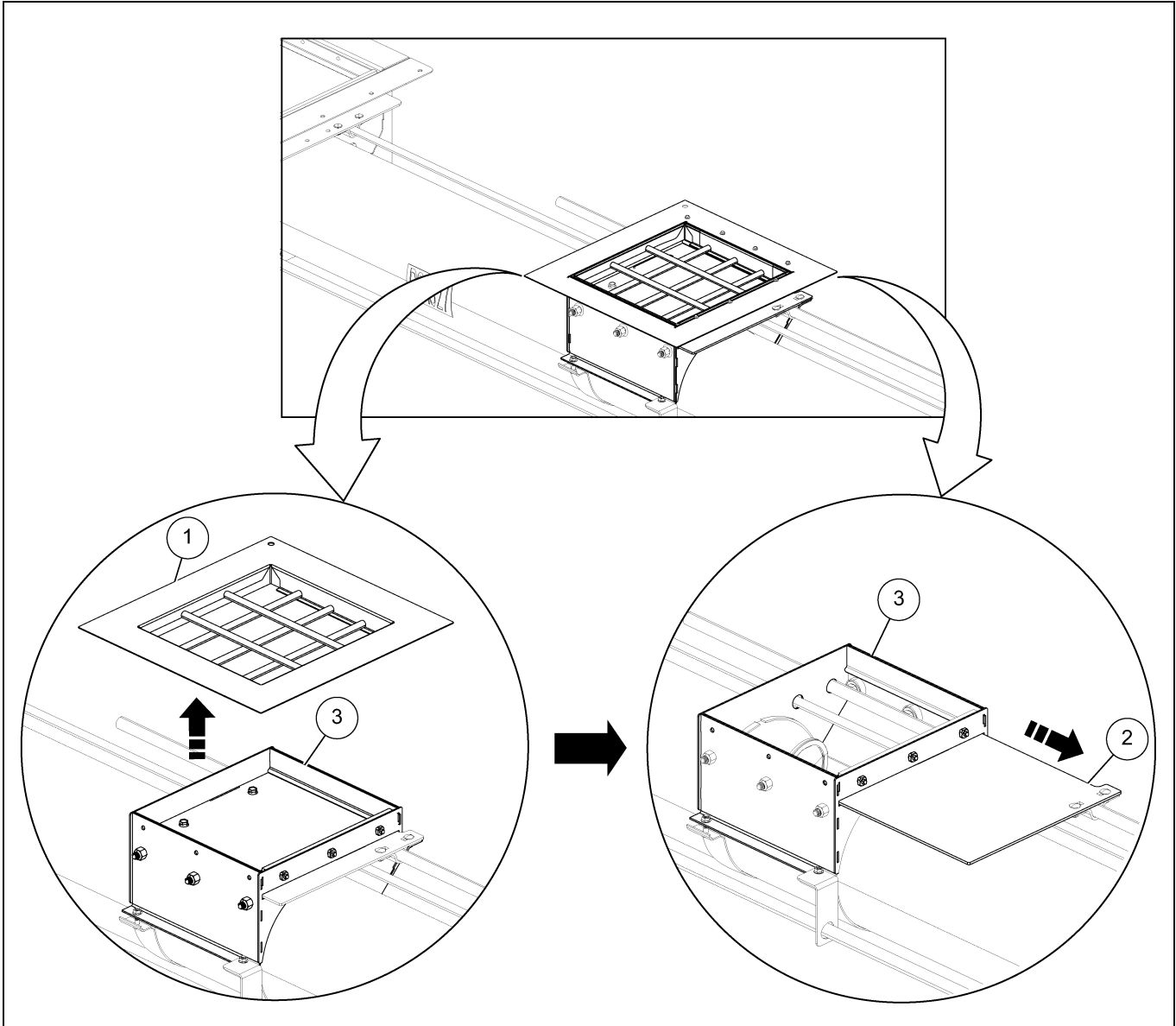


Figure 1 Removing the Intermediate Well Top Flange

Ref #	Description
1	Intermediate Well Top Flange
2	Intermediate Well Gate
3	Intermediate Well



Control Rod Bushing Installation for DGD Sweeps

3. Align the control rod bushing (5) around the center well rod (4) and install it to the inside of the intermediate well (3) using two self-drilling screws (6) per bushing. (See Figure 2.)

NOTE: If the center well control rod (4) is not at the bottom of hole, push the control rod (4) down and install the control rod bushing (5).

NOTE: To install or replace the control rod bushing (5) for the optional side, remove the hardware (7) and pull the intermediate well gate (2) open to access the control rod hole. DO NOT pull the intermediate well gate (2) all the way through the intermediate well (3). (See Detail 2 in Figure 2.)

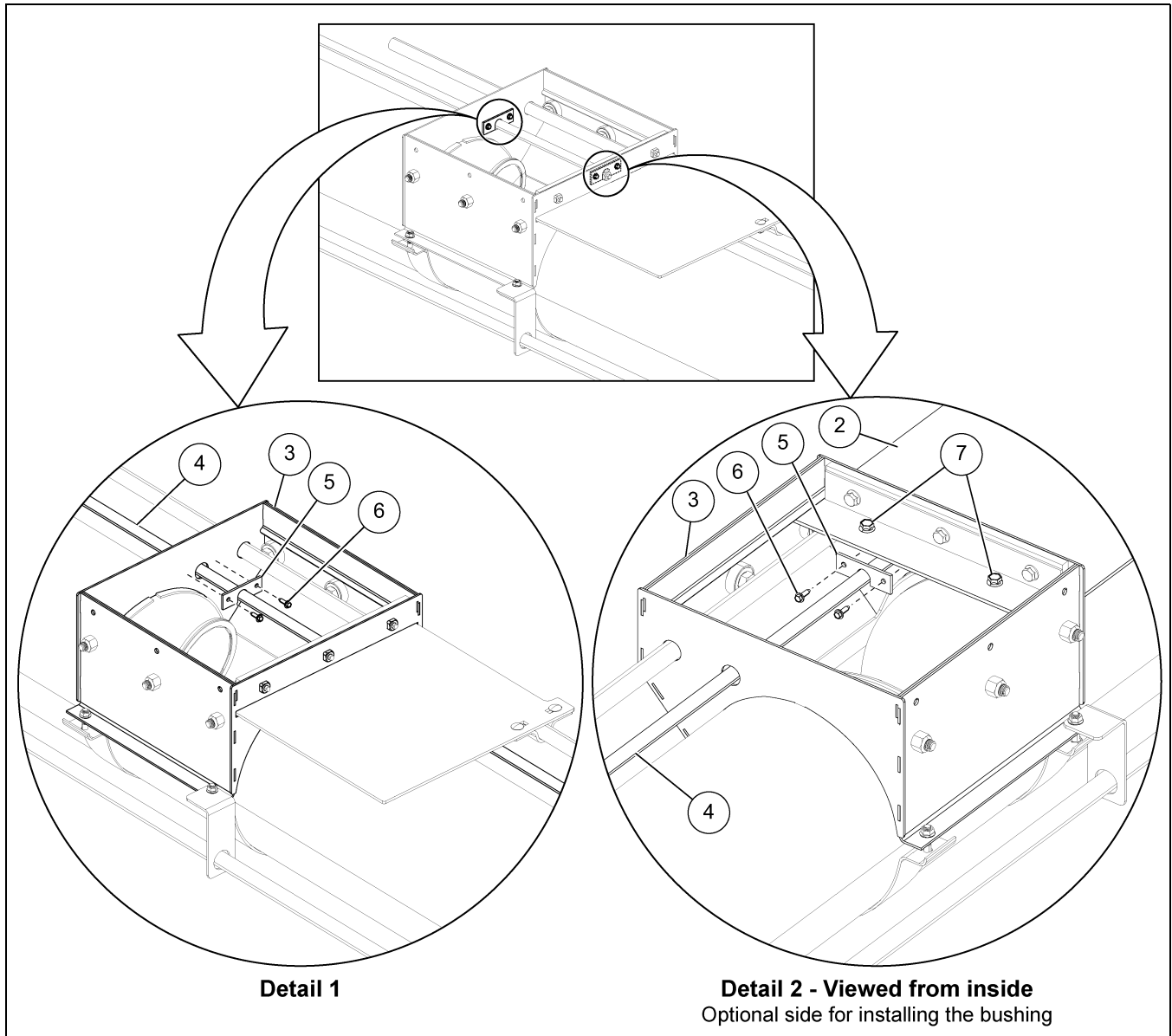


Figure 2 Installing the Control Rod Bushing

Ref #	Description
2	Intermediate Well Gate
3	Intermediate Well
4	Center Well Control Rod

Ref #	Description
5	Control Rod Bushing (GC21104)
6	#10-16 x 5/8" Self-Drilling Screws (S-280)
7	Gate Hardware

4. Close the intermediate well gate (2) and re-install the intermediate well top flange (1).