

Fig. 1 - Original Wiring

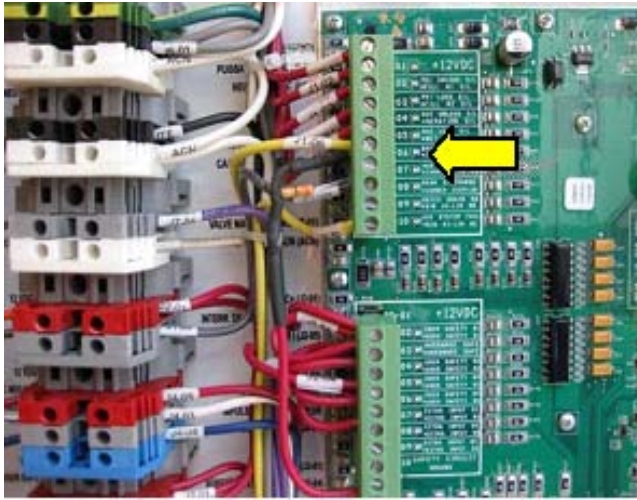


Fig. 2 - Final Wiring Positions

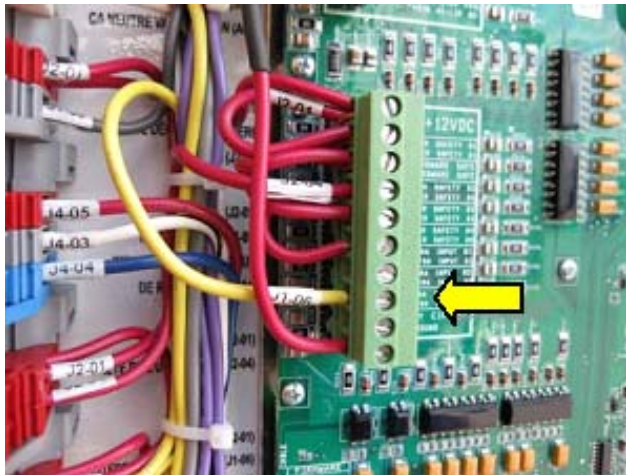
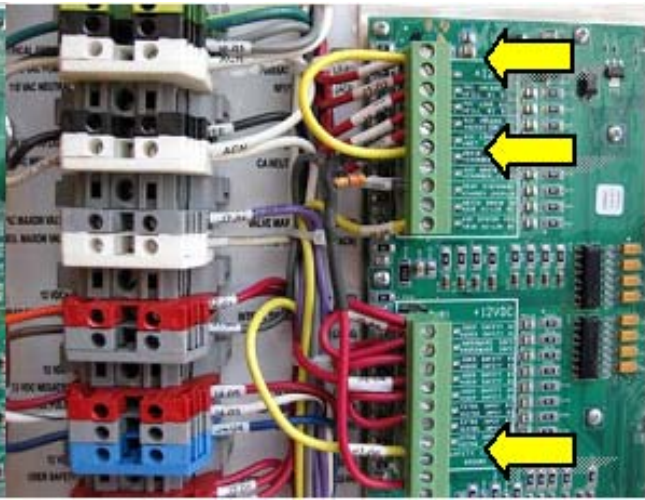


Fig. 3 - Move J1-06 to J2-08

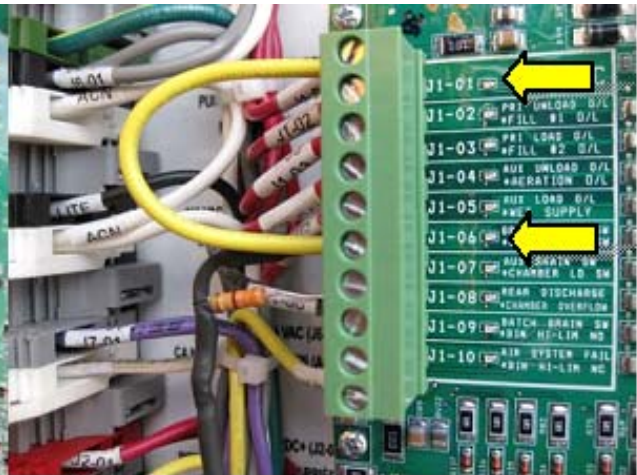


Fig. 4 - Add jumper from J1-01 to J1-06

Towers only: The load controls have been changed to operate better and to avoid nuisance shutdowns. Load switch wire moved from J1-06 to J2-08 (extra input #2) (see Fig. 1 & 3) and J1-06 must be jumped to J1-01 (+12VDC) see Fig. 4.