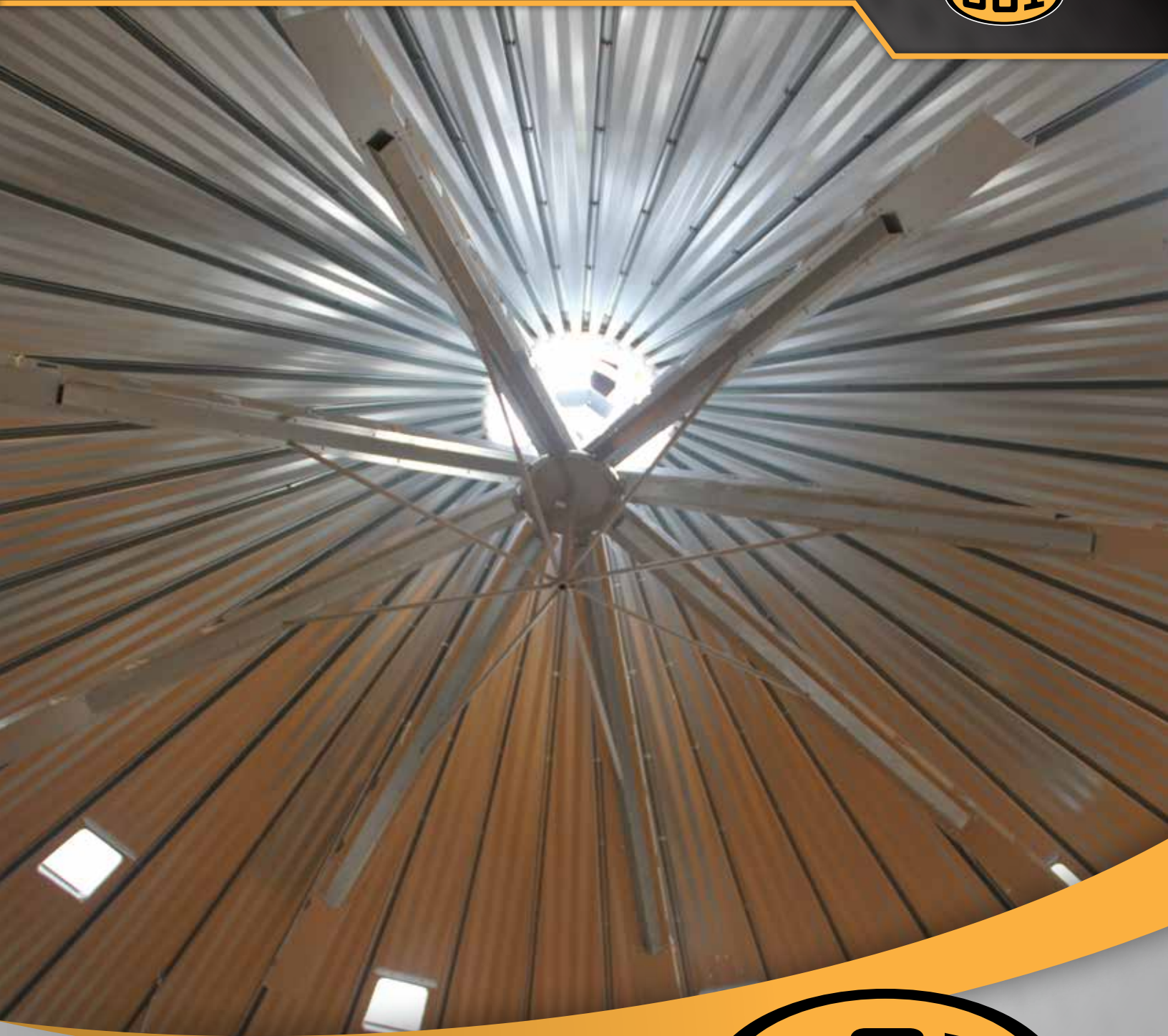


GSI AND AGRIDRY

# GRAIN SPREADERS



**PROVEN & DEPENDABLE™**

[WWW.GRAINSYSTEMS.COM](http://WWW.GRAINSYSTEMS.COM)



# PROVEN & DEPENDABLE

From seeding to harvest, we recognize the hard work and determination you put in every day of the year. It's this dedication that drives the team at GSI to continuously create reliable products that stand the test of time and maximize your productivity and profitability.

Over 45 years of hard work and dedication have gone into making GSI the world's number one manufacturer of grain bins and an industry leader in drying and material handling equipment.

Never satisfied with the status quo, we are driven to provide top-of-the-line products that will protect, condition and move the grain you work so hard to produce. We are committed each and every day to providing the best service possible by establishing lasting relationships with customers just like you who use our products with our worldwide network of dealers.

We're always growing, but we will never lose sight of the relationships that got us here in the first place. While our commitment to remain at the top runs deep, our commitment to you, our customer, runs even deeper.

**THAT'S WHY GSI.**

**CHOOSING THE RIGHT SPREADER**

Having the right size spreader for your specific operation is key. GSI manufactures a complete line of rugged spreader systems to help maintain grain quality. Choose from a variety of efficient spreaders, all with features designed to reduce costs and boost performance.

No matter the bin size, our network of experienced dealers is the most knowledgeable in the field to ensure you match your grain handling system to the spreader that is right for you.

	MODEL	APPLICATION	CAPACITY
<b>SCATTERGRAIN MODELS</b>	FFD-120-WH	Up to 36' Bins	2,500 - 3,000 BPH
	FFD-200-3	Up to 42' Bins	4,000 - 6,000 BPH
	FFD-200-1	Up to 42' Bins	4,000 - 6,000 BPH
	FFD-200-3-50	Up to 42' Bins	4,000 - 6,000 BPH
<b>GSI GRAVITY SPREADERS</b>	GSI 3050	18' - 42' Bins	200 - 5,000 BPH
	GSI 10,000	Up to 72' Bins	700 - 10,000 BPH
<b>AGRIDRY GRAVITY SPREADERS</b>	3000 Series	15' - 120' Bins	Up to 4,000 BPH
	5000 Series	15' - 120' Bins	Up to 8,000 BPH
	12000 Series	15' - 120' Bins	Up to 12,000 BPH
	Mega Spreader (Commercial)	90' - 135' Bins	8,000 - 40,000 BPH



# GSI SCATTERGRAIN SPREADERS

Sensible and efficient, the Scattergrain Spreader adapts to specific bin diameters with adjustable grain guides and extensions to reach the outer edges. It's exclusive damper-controlled center openings ease the filling of the center section. Constructed of heavy gauge steel with heavy-duty fittings, these units require minimal maintenance. Plus, the output shafts utilize anti-friction bearings, encased in lubricant and sealed.



## Models FFD-200-1 & FFD-200-3

- Handles up to 6,000 BPH
- Fills bins up to 42' diameter
- Energy efficient 1 HP, single or 3 phase motor
- Heavy duty 14 gauge cone
- All galvanized construction



## Model FFD-120-WH

- Handles up to 3,000 BPH
- Fills bins up to 36' diameter
- Energy efficient 1/2 HP, 115 volt, single phase motor
- All galvanized construction
- Standard wide throw blade
- Standard flow diverter kit



## SEALED GEAR DRIVE AND MOTOR

The gear drive is encased in heavy-duty, high-temperature, food-grade lubricant which assures years of virtually maintenance-free operation. There's no need to worry about belts breaking or constant adjustment.

Scattergrain motors are completely sealed against outside dust and moisture, and feature internal automatic reset overload protection.



## DAMPER PLATE

Adjustable plates in the blade allow grain to be distributed evenly in the center of the bin.



## GRAIN GUIDES

The grain guides adjust to help distribute grain to the outer areas of the bin.



## ADJUSTABLE MOUNT

All Scattergrain models mount in the openings up to 31" dia. A special adaptor fits openings up to 60" dia.

# GSI GRAVITY SPREADERS

## NO ELECTRICITY REQUIRED

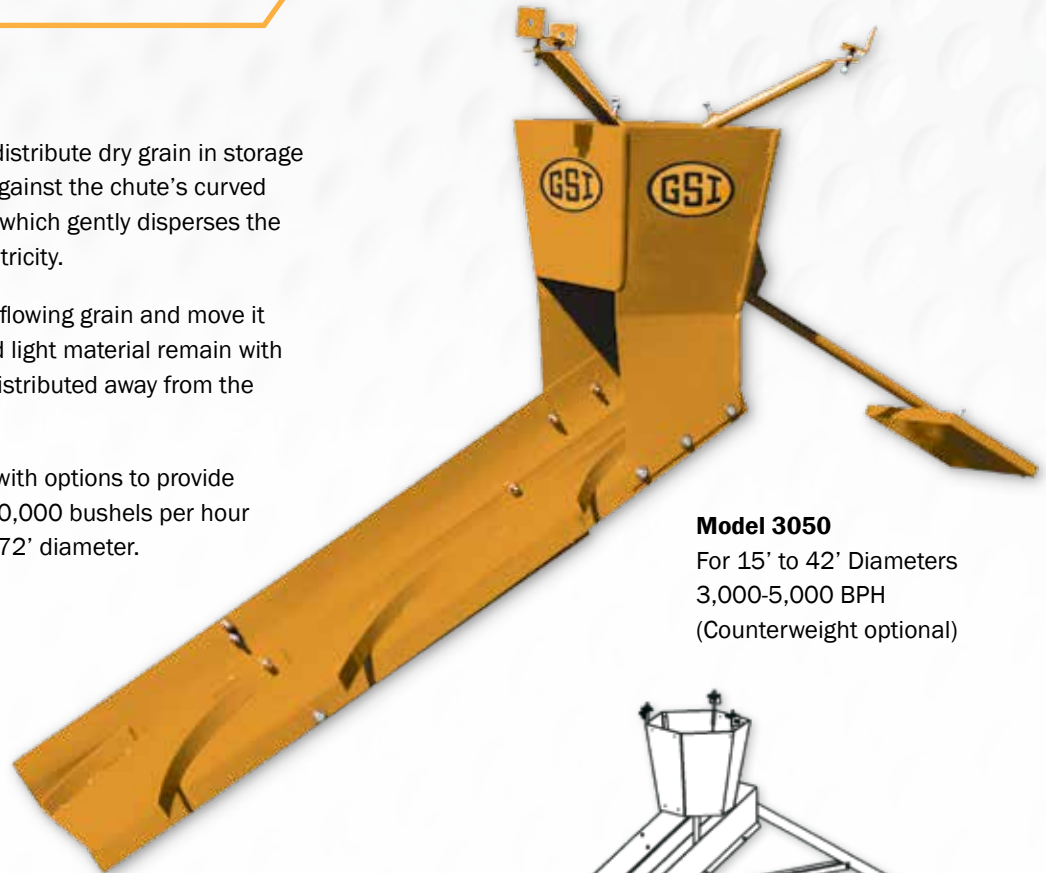
Gravity flow spreaders are used to distribute dry grain in storage bins. The force of the falling grain against the chute's curved vanes causes a slow, even rotation which gently disperses the grain – all without the need for electricity.

The chute is designed to divide the flowing grain and move it into four concentric rings. Fines and light material remain with the flowing mass of grain and are distributed away from the bin's center.

Two different models are available with options to provide spreading capacities from 200 to 10,000 bushels per hour in storage bins ranging from 18' to 72' diameter.

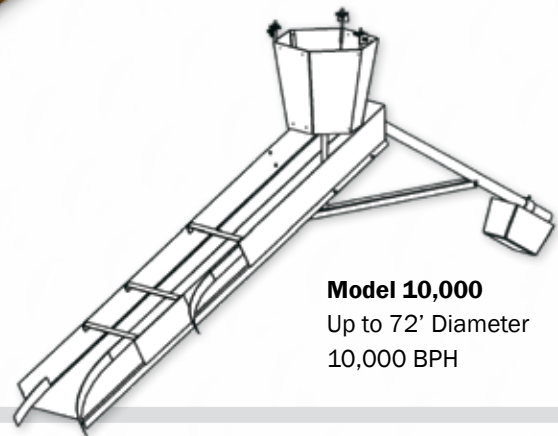
## PROPER GRAIN SPREADING MEANS EFFICIENT DRYING AND STORAGE

Grain spreaders improve grain drying and storage by gently and evenly distributing the grain throughout the bin. Bin Level models feature built-in convenience and durability.



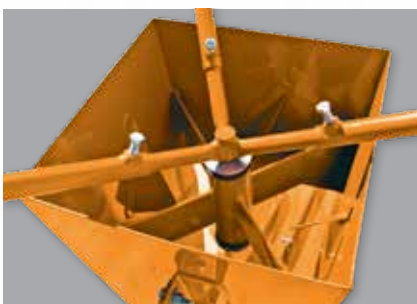
### Model 3050

For 15' to 42' Diameters  
3,000-5,000 BPH  
(Counterweight optional)



### Model 10,000

Up to 72' Diameter  
10,000 BPH



Hopper is equipped with angled baffles to gently and evenly direct grain onto the chute.



Chute is adjustable for different diameter bins. An optional chute extension is also available.



Optional centering hopper fits most spreader brands with diameters of 18" to 22". Attaches to your existing spreader and will center and straighten the grain flow before it reaches the spreader, ensuring a more accurate and even spread.



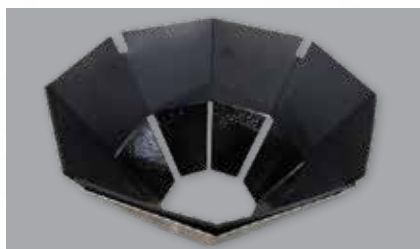
# AGRIDRY GRAVITY SPREADERS

## UNIFORM DISTRIBUTION OF FINES

AgriDry Gravity Spreaders distribute fines of grain without compromising quality. It's gentle on grain and tough enough to handle fill rates up to 40,000 BPH. Uniformly distributed fines eliminate the time and expense of coring and create a better environment for storage. Improve fan efficiency, increase storage time, and gain marketing flexibility.



PROMOTE ZERO BIN ENTRY  
ELIMINATE CORING  
ELIMINATE CRUSTING & BRIDGING  
IMPROVE AIRFLOW  
NO NEED TO BLEND  
REDUCE THE RISK OF HOT SPOTS



## TIVAR LINER PACKAGE

Designed to protect high impact areas (the cone and the top few feet of the chutes) from premature wear.



## HIGH VOLUME APPLICATION

AgriDry commercial spreaders have 16 chutes to meet the needs of high volume and variable fill rates coming from a dryer.

### Extension Chutes

When filling a bin with hot or wet grain, optional extension chutes disperse the grain out to the bin's side walls.

## GSI AND AGRIDRY SPREADERS

### SCATTERGRAIN SPREADERS

MODEL	APPLICATION	CAPACITY	APPROXIMATE WEIGHT	MOTOR
<b>FFD-120-WH</b>	Up to 36' Diameter Bins	2,500 - 3,000 BPH	73 lbs.	1/2 HP 115V
<b>FFD-200-3</b>	Up to 42' Diameter Bins	4,000 - 6,000 BPH	120 lbs.	1 HP 230/460V 3 Ph
<b>FFD-200-1</b>	Up to 42' Diameter Bins	4,000 - 6,000 BPH	110 lbs.	1 HP 115V/220V
<b>FFD-200-3-50</b>	Up to 42' Diameter Bins	4,000 - 6,000 BPH	120 lbs.	1 HP 380V 50Hz

### GSI GRAVITY GRAIN SPREADERS

MODEL	APPLICATION (BIN DIAMETER)	CAPACITY	# OF CHUTES
<b>3050</b>	18' - 36' Diameter Bins	200 - 3,000 BPH	1
<b>3050 with counterweight</b>	18' - 36' Diameter Bins	500 - 5,000 BPH	1
<b>3050 with chute extension &amp; counterweight</b>	36' - 42' Diameter Bins	500 - 5,000 BPH	1
<b>10,000</b>	36' - 72' Diameter Bins	700 - 10,000 BPH	1

NOT recommended for grain wetter than 16% moisture content.

### AGRIDRY GRAVITY GRAIN SPREADERS

MODEL	APPLICATION (BIN DIAMETER)	CAPACITY	# OF CHUTES	APPROXIMATE WEIGHT	LEVELING BAND DIA.	HOPPER SIZE	CHUTE SIZE
<b>4-3000</b>	15' - 21'	Up to 4,000 BPH	8	138 lbs.	10"	18" x 11"	6"
<b>8-3000</b>	24' - 27'	Up to 4,000 BPH	8	230 lbs.	10"	18" x 11"	6"
<b>10-3000</b>	30' - 33'	Up to 4,000 BPH	8	319 lbs.	10"	18" x 11"	6"
<b>12-3000</b>	36' - 41'	Up to 4,000 BPH	8	363 lbs.	10"	18" x 11"	6"
<b>16-3000 *</b>	42' - 120'	Up to 4,000 BPH	8	491 lbs.	10"	18" x 11"	6"
<b>4-5000</b>	15' - 21'	Up to 8,000 BPH	8	266 lbs.	12"	18" x 11"	8"
<b>8-5000</b>	24' - 27'	Up to 8,000 BPH	8	360 lbs.	12"	18" x 11"	8"
<b>10-5000</b>	30' - 33'	Up to 8,000 BPH	8	420 lbs.	12"	18" x 11"	8"
<b>12-5000</b>	36' - 41'	Up to 8,000 BPH	8	454 lbs.	12"	18" x 11"	8"
<b>16-5000 *</b>	42' - 120'	Up to 8,000 BPH	8	638 lbs.	12"	18" x 11"	8"
<b>4-12000</b>	15' - 21'	Up to 12,000 BPH	8	271 lbs.	12"	24" x 15"	8"
<b>8-12000</b>	24' - 27'	Up to 12,000 BPH	8	365 lbs.	12"	24" x 15"	8"
<b>10-12000</b>	30' - 33'	Up to 12,000 BPH	8	425 lbs.	12"	24" x 15"	8"
<b>12-12000</b>	36' - 41'	Up to 12,000 BPH	8	459 lbs.	12"	24" x 15"	8"
<b>16-12000 *</b>	42' - 120'	Up to 12,000 BPH	8	643 lbs.	12"	24" x 15"	8"
<b>16-2-10000</b>	90' - 135'	Up to 8,000 BPH	2 Levels of 8	1,245 lbs.	12"	18" x 11"	8"
<b>16-2-12000</b>	90' - 135'	Up to 12,000 BPH	2 Levels of 8	1,245 lbs.	12"	24" x 15"	8"
<b>16-2-20000</b>	90' - 135'	Up to 24,000 BPH	2 Levels of 8	1,275 lbs.	16"	24" x 15"	8"
<b>16-2-40000</b>	90' - 135'	Up to 40,000 BPH	2 Levels of 8	2,750 lbs.	26"	36" x 24"	10"

\* Extension chutes may be added for hot or wet grain to assist with spreading to the eave.



# COMPLETE YOUR GSI SYSTEM

WWW.GRAINSYSTEMS.COM



## 40-SERIES™ GRAIN BINS

When determining the best system for your operation, we know that what is protected inside the bin is what counts the most. Every product we design, engineer and build is based on this foundation.



## TOPDRY

Grain in the overhead chamber is dried by a large fan and heater then dumped to a holding area below. An aeration fan below captures heat from this previously dried grain, and pushes it upward to help dry the next load. This recycling of heat increases efficiency, which greatly reduces drying costs.



## MATERIAL HANDLING

GSI's material handling line includes bucket elevators, chain conveyors, belt conveyors, bin unloads, and chain loops. Also available are towers, catwalks, and support structures.



## GLOBAL SOLUTIONS. LOCAL SUPPORT.

GSI and GSI Dealers alike share the same passion and commitment to our customers. GSI Dealers understand down time is not an option, construction schedules must be met. From site planning to installation and service, GSI Dealers are the proven partners for your operation. When you buy GSI, you get the quality product of a worldwide leader and the dependable service of your local Dealership.

**TO FIND YOUR LOCAL GSI DEALER,  
VISIT THE GSI DEALER LOCATOR  
AT WWW.GRAINSYSTEMS.COM**



 **AGCO**  
Your Agriculture Company

Copyright ©2017 All rights reserved.  
GSI reserves the right to change  
designs and specifications without notice.

**GS-040 AUGUST 2019**